

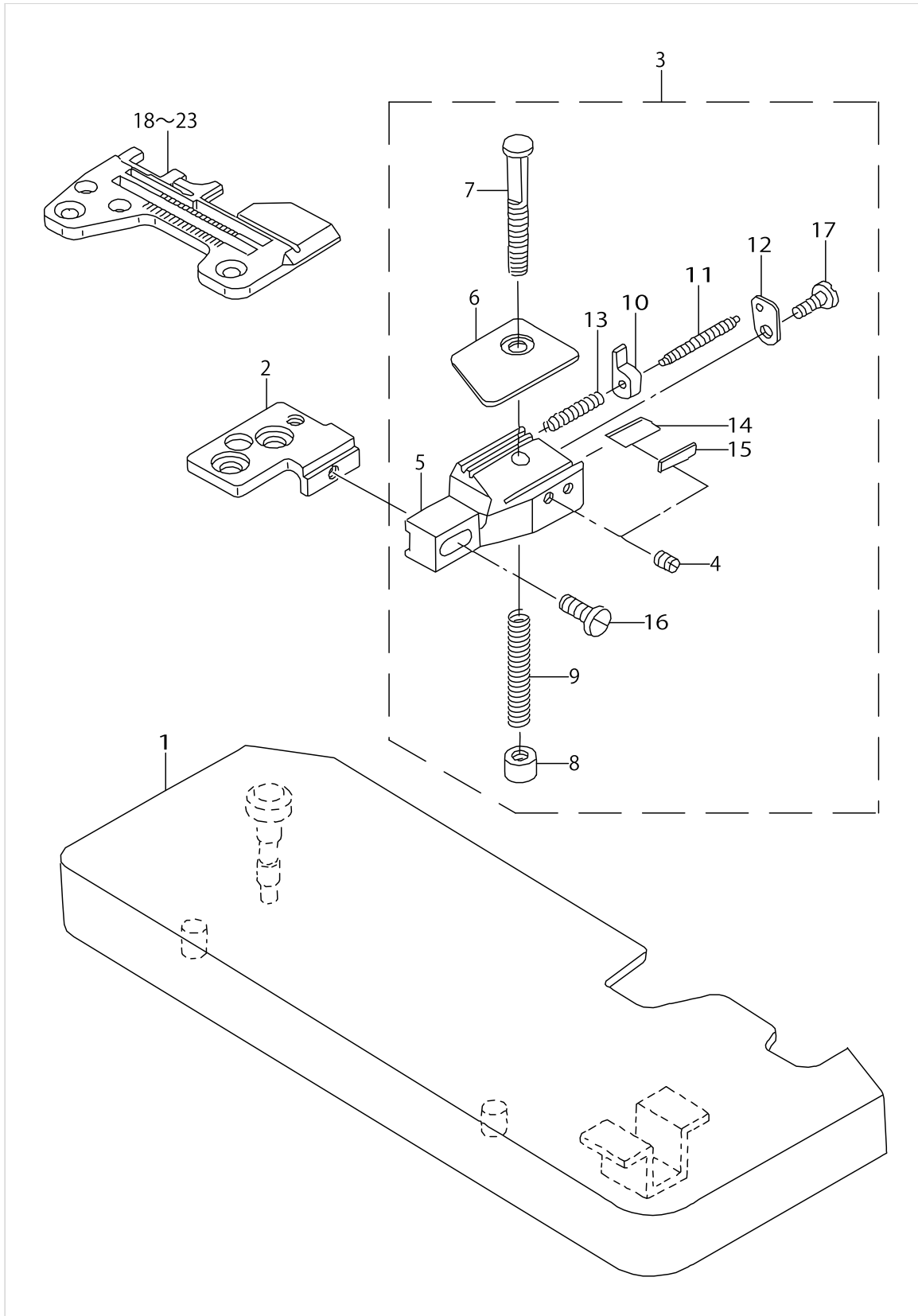
MODEL : Z173
List No : 0862-01

PARTS LIST

Published:09/10/2017

CONTENTS

Z173.....	1
HOW TO MAKE USE OF THIS PARTS LIST	3



No.	Parts No.	Parts name	Remarks	Level	Cons	Qty
1	11922556	CLOTH BASE ASM.				1
2	MAZ17301000	THROAT PLATE BASE(A)				1
3	MAZ082000C0	ROLLING INDEVICE ASM.				1
4	SS8090410SP	SCREW 9/64-40 L= 3.5		*		2
5	MAZ08201000	HOLDER BASE		*		1
6	MAZ08203000	REAR PRESSER PLATE		*		1
7	MAZ08204000	REAR PRESSER REGULATING SHAFT		*		1
8	MAZ08205000	REAR PRESSER REGULATING KNOB		*		1
9	MAZ08206000	REAR PRESSER REGULATING SPRING		*		1
10	MAZ08207000	REAR GUIDE		*		1
11	MAZ08208000	REAR GUIDE SHAFT		*		1
12	MAZ08209000	REAR GUIDE SHAFT BASE		*		1
13	MAZ08210000	REAR GUIDE SPRING		*		1
14	MAZ08211000	KNIFE		*		1
15	MAZ08212000	KNIFE PRESSER		*		1
16	SS7091110SP	SCREW 9/64-40 L=10.5		*		1
17	SS7090850SP	SCREW 9/64-40 L=8		*		1
18	R4200J2DD00	THROAT PLATE	FOR 04B-OD4-300			1
19	R4200J2DD0A	THROAT PLATE	FOR 04B-OD4-306			1
20	R4200J2DD0B	THROAT PLATE	FOR 04S-OD4-300			1
21	R4200J2ED00	THROAT PLATE	FOR 04B-OE4-300			1
22	R4300J2DE00	THROAT PLATE	FOR 04B-OD6-300			1
23	R4300J2EE00	THROAT PLATE	FOR 04B-OE6-300			1

HOW TO MAKE USE OF THIS PARTS LIST

1.As to "#01" and "#02" refer to the "Note" given at the bottom of the respective pages.

2.Codes on the "Qty" column

- Each numeral indicates the number of parts required.
- "0.1" and "2.5" indicate the length (in meters) of the respective parts.

3.Parentheses mean that the corresponding part is a subpart that constructs an assembly part.

4.Dotted lines on the Figures indicate assembly parts.

1. リストページの# 0 1、# 0 2の印は、ページ下の"注記"の説明を参照下さい。
2. 数量欄の数字は、個数を表し、0. 1、2. 5等の数値は、長さ（単位メートル）を表します。
3. 数量欄の（ ）は、組部品を構成している子部品であることを意味します。
4. イラストページの-----枠は、組構成であることを意味します。

NUMERICAL INDEX OF PARTS

PART NO	PAGE	REF NO.
11922556	2	1
MAZ082000C0	2	3
MAZ08201000	2	5
MAZ08203000	2	6
MAZ08204000	2	7
MAZ08205000	2	8
MAZ08206000	2	9
MAZ08207000	2	10
MAZ08208000	2	11
MAZ08209000	2	12
MAZ08210000	2	13
MAZ08211000	2	14
MAZ08212000	2	15
MAZ17301000	2	2
R4200J2DD00	2	18
R4200J2DD0A	2	19
R4200J2DD0B	2	20
R4200J2ED00	2	21
R4300J2DE00	2	22
R4300J2EE00	2	23
SS7090850SP	2	17
SS7091110SP	2	16
SS8090410SP	2	4