

MODEL : T041

List No : 0860-04

# PARTS LIST

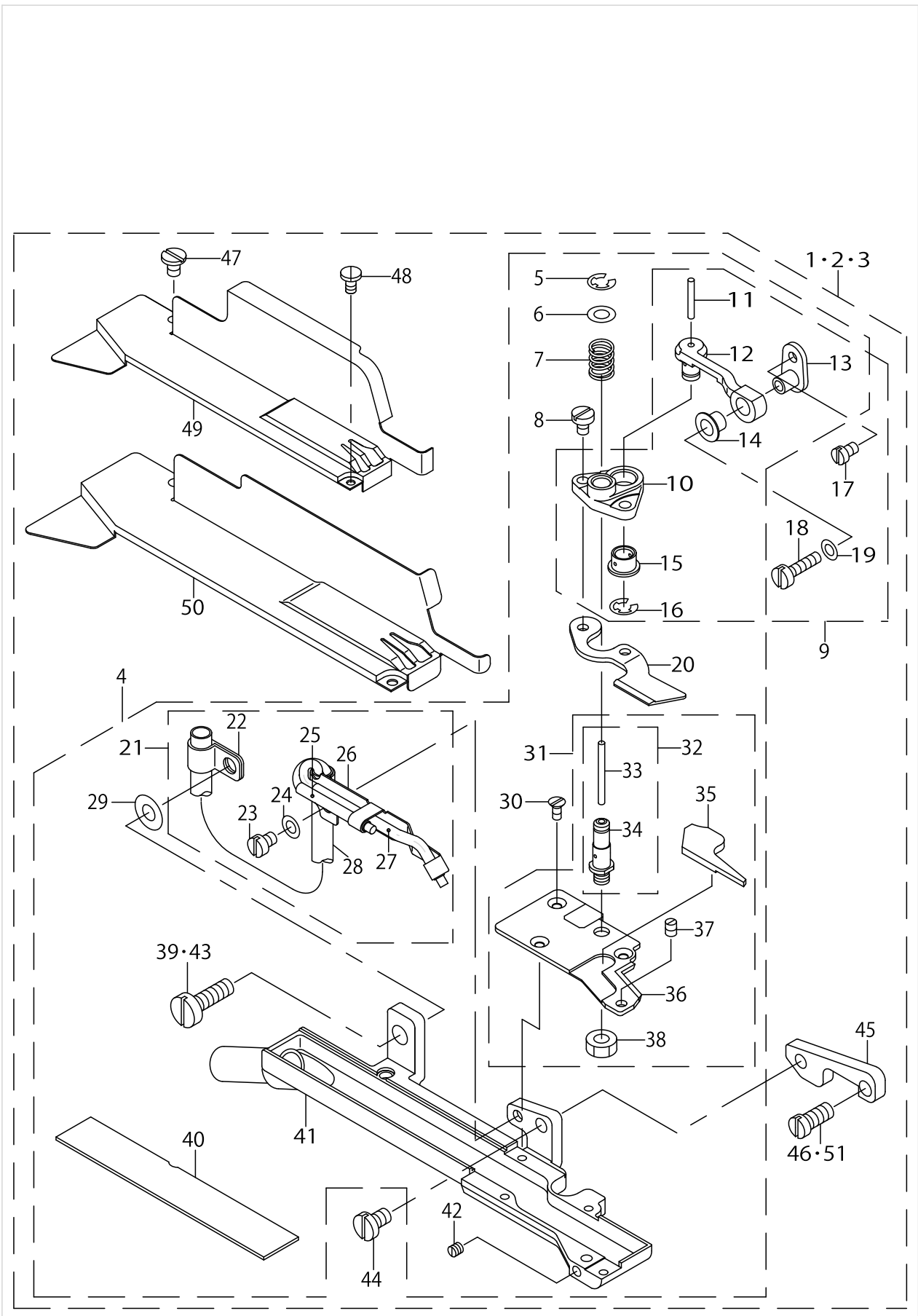
Published:09/10/2017

## CONTENTS

---

|  |   |
|--|---|
| PNEUMATIC FLAT CUTTER (T041) .....       | 1 |
| HOW TO MAKE USE OF THIS PARTS LIST ..... | 5 |

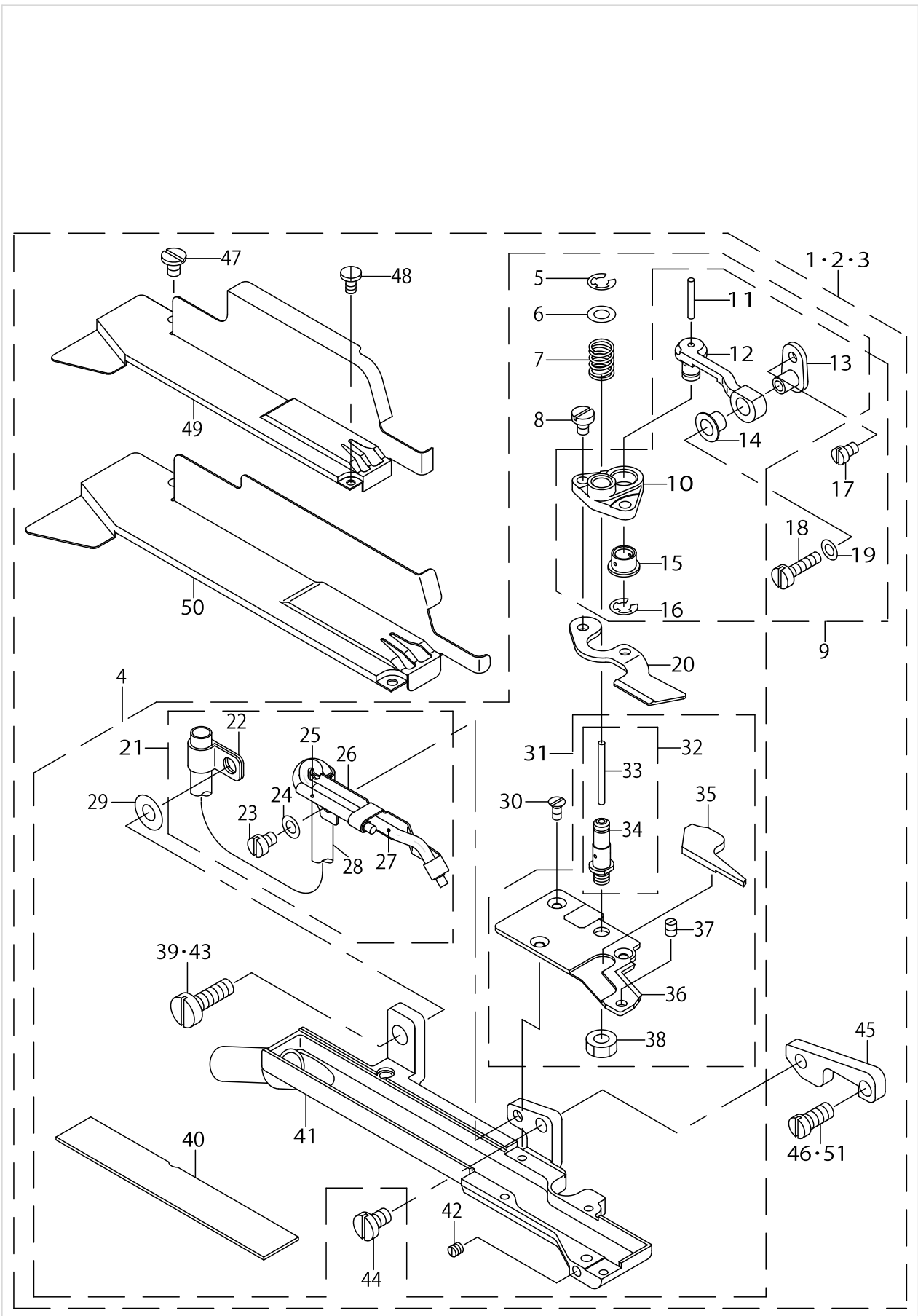
PNEUMATIC FLAT CUTTER (T041)



PNEUMATIC FLAT CUTTER (T041)

| No. | Parts No.    | Parts name                 | Remarks               | Level | Cons | Qty |
|-----|--------------|----------------------------|-----------------------|-------|------|-----|
| 1   | MAT041000A0A | PNEUMATIC FLAT CUTTER ASM. |                       |       |      | 1   |
| 2   | MAT041000AB  | PNEUMATIC FLAT CUTTER ASM. | FOR MOR-3900,MO-6900R |       |      | 1   |
| 3   | MAT041000AC  | PNEUMATIC FLAT CUTTER ASM. | FOR MO-3300           |       |      | 1   |
| 4   | MAT041030B0  | KNIFE PLATE ASM.           |                       | *     |      | 1   |
| 5   | RE0300000K0  | E-RING 3                   |                       | *     |      | 1   |
| 6   | WP0450000SD  | WASHER 4.5X8X0.5           |                       | *     |      | 1   |
| 7   | MAT03509000  | SPRING                     |                       | *     |      | 1   |
| 8   | SS7080510TP  | SCREW 1/8-44 L=4.5         |                       | *     |      | 2   |
| 9   | MAT035080A0  | MOVING KNIFE BRACKET ASM.  |                       | *     |      | 1   |
| 10  | MAT03508000  | MOVING KNIFE BRACKET       |                       | *     |      | 1   |
| 11  | CQ202000000  | OIL WICK                   |                       | *     |      | 0.1 |
| 12  | MAT03511000  | KNIFE DRIVING RINK         |                       | *     |      | 1   |
| 13  | MAT03512000  | KNIFE DRIVING RINK BRACKET |                       | *     |      | 1   |
| 14  | MAT03510000  | KNIFE DRIVING RINK PIECE   |                       | *     |      | 1   |
| 15  | MAT03510000  | KNIFE DRIVING RINK PIECE   |                       | *     |      | 1   |
| 16  | RE0400000K0  | E-RING 4                   |                       | *     |      | 1   |
| 17  | SS7080520SP  | SCREW 1/8-44 L=4.9         |                       | *     |      | 1   |
| 18  | SS7081310SP  | SCREW 1/8-44 L=12.5        |                       | *     |      | 1   |
| 19  | WP0371016SD  | WASHER 3.7X8X1             |                       | *     |      | 1   |
| 20  | MAT03506000  | MOVING KNIFE               |                       | *     |      | 1   |
| 21  | MAT041040A0  | OIL TUBE ASM.              |                       | *     |      | 1   |
| 22  | MAT03516000  | OIL TUBE HOLDER            |                       | *     |      | 1   |
| 23  | SS7090520TP  | SCREW 9/64-40 L= 4.5       |                       | *     |      | 1   |
| 24  | WP0371016SD  | WASHER 3.7X8X1             |                       | *     |      | 1   |
| 25  | MAT035140A0  | OIL TUBE ASM.              |                       | *     |      | 1   |
| 26  | MAT04104000  | OIL TUBE HOLDER            |                       | *     |      | 1   |
| 27  | MAT035150A0  | OIL TUBE ASM.              |                       | *     |      | 1   |
| 28  | BP400000000  | VINYL TUBE, WHITE D=4      |                       | *     |      | 0.1 |
| 29  | WP0502616SD  | WASHER                     |                       | *     |      | 1   |
| 30  | SS1060610SP  | SCREW 3/32-56 L=5.5        |                       | *     |      | 3   |
| 31  | MAT035050A0  | FIXED KNIFE ASM.           |                       | *     |      | 1   |
| 32  | MAT035070A0  | MOVING KNIFE SHAFT ASM.    |                       | *     |      | 1   |
| 33  | CQ202000000  | OIL WICK                   |                       | *     |      | 0.1 |
| 34  | MAT03507000  | KNIFE BAR DRIVING SHAFT    |                       | *     |      | 1   |
| 35  | MAT03517000  | AIR LEAK STOPPER           |                       | *     |      | 1   |
| 36  | MAT03505000  | FIXED KNIFE                |                       | *     |      | 1   |
| 37  | SS8080610SP  | SCREW 1/8-44 L=5.5         |                       | *     |      | 1   |
| 38  | NS6110310SP  | NUT 11/64-40               |                       | *     |      | 1   |
| 39  | SS7121410TP  | SCREW 3/16-28 L=14         |                       | *     |      | 1   |
| 40  | MAT03518000  | KNIFE PLATE COVER          |                       | *     |      | 1   |
| 41  | MAT041030A0  | KNIFE PLATE ASM.           |                       | *     |      | 1   |
| 42  | SS8080310TP  | SCREW 1/8-44 L=2.8         |                       | *     |      | 1   |
| 43  | SM4041655SP  | SCREW M4 L=16              | FOR MO-3300           | *     |      | 1   |
| 44  | SS7110840SP  | SCREW 11/64-40 L=7.8       |                       | *     |      | 1   |
| 45  | MAT04102000  | KNIFE PLATE                |                       | *     |      | 1   |
| 46  | SS7120910SP  | SCREW 3/16-28 L=9          |                       | *     |      | 1   |
| 47  | SS6090520SP  | SCREW 9/64-40 L= 5.0       |                       | *     |      | 1   |

PNEUMATIC FLAT CUTTER (T041)



PNEUMATIC FLAT CUTTER (T041)

| No. | Parts No.   | Parts name        | Remarks                       | Level | Cons | Qty |
|-----|-------------|-------------------|-------------------------------|-------|------|-----|
| 48  | SS7060310SP | SCREW 3/32-56 L=3 |                               | *     |      | 1   |
| 49  | MAT04101000 | KNIFE PLATE COVER |                               | *     |      | 1   |
| 50  | MAT04105000 | KNIFE PLATE COVER | FOR MOR-3900,MO-6900R,MO-3300 | *     |      | 1   |
| 51  | SM6040800SP | SCREW             | FOR MO-3300                   | *     |      | 1   |

## HOW TO MAKE USE OF THIS PARTS LIST

1.As to "#01" and "#02" refer to the "Note" given at the bottom of the respective pages.

2.Codes on the "Qty" column

- Each numeral indicates the number of parts required.
- "0.1" and "2.5" indicate the length (in meters) of the respective parts.

3.Parentheses mean that the corresponding part is a subpart that constructs an assembly part.

4.Dotted lines on the Figures indicate assembly parts.

1. リストページの# 0 1、# 0 2の印は、ページ下の"注記"の説明を参照下さい。
2. 数量欄の数字は、個数を表し、0. 1、2. 5等の数値は、長さ（単位メートル）を表します。
3. 数量欄の（ ）は、組部品を構成している子部品であることを意味します。
4. イラストページの-----枠は、組構成であることを意味します。

NUMERICAL INDEX OF PARTS

| PART NO      | PAGE | REF NO. | PART NO     | PAGE | REF NO. |
|--------------|------|---------|-------------|------|---------|
| BP40000000   | 2    | 28      | WP0371016SD | 2    | 24      |
| CQ20200000   | 2    | 33      | WP0450000SD | 2    | 6       |
| MAT03505000  | 2    | 36      | WP0502616SD | 2    | 29      |
| MAT035050A0  | 2    | 31      |             |      |         |
| MAT03506000  | 2    | 20      |             |      |         |
| MAT03507000  | 2    | 34      |             |      |         |
| MAT035070A0  | 2    | 32      |             |      |         |
| MAT03508000  | 2    | 10      |             |      |         |
| MAT035080A0  | 2    | 9       |             |      |         |
| MAT03509000  | 2    | 7       |             |      |         |
| MAT03510000  | 2    | 15      |             |      |         |
| MAT03511000  | 2    | 12      |             |      |         |
| MAT03512000  | 2    | 13      |             |      |         |
| MAT035140A0  | 2    | 25      |             |      |         |
| MAT035150A0  | 2    | 27      |             |      |         |
| MAT03516000  | 2    | 22      |             |      |         |
| MAT03517000  | 2    | 35      |             |      |         |
| MAT03518000  | 2    | 40      |             |      |         |
| MAT041000A0A | 2    | 1·2·3   |             |      |         |
| MAT041000AB  | 2    | 1·2·3   |             |      |         |
| MAT041000AC  | 2    | 1·2·3   |             |      |         |
| MAT04101000  | 4    | 49      |             |      |         |
| MAT04102000  | 2    | 45      |             |      |         |
| MAT041030A0  | 2    | 41      |             |      |         |
| MAT041030B0  | 2    | 4       |             |      |         |
| MAT04104000  | 2    | 26      |             |      |         |
| MAT041040A0  | 2    | 21      |             |      |         |
| MAT04105000  | 4    | 50      |             |      |         |
| NS6110310SP  | 2    | 38      |             |      |         |
| RE0300000K0  | 2    | 5       |             |      |         |
| RE0400000K0  | 2    | 16      |             |      |         |
| SM4041655SP  | 2    | 39·43   |             |      |         |
| SM6040800SP  | 4    | 46·51   |             |      |         |
| SS1060610SP  | 2    | 30      |             |      |         |
| SS6090520SP  | 2    | 47      |             |      |         |
| SS7060310SP  | 4    | 48      |             |      |         |
| SS7080510TP  | 2    | 8       |             |      |         |
| SS7080520SP  | 2    | 17      |             |      |         |
| SS7081310SP  | 2    | 18      |             |      |         |
| SS7090520TP  | 2    | 23      |             |      |         |
| SS7110840SP  | 2    | 44      |             |      |         |
| SS7120910SP  | 2    | 46·51   |             |      |         |
| SS7121410TP  | 2    | 39·43   |             |      |         |
| SS8080310TP  | 2    | 42      |             |      |         |
| SS8080610SP  | 2    | 37      |             |      |         |