

MODEL : T039

List No : 0859-05

PARTS LIST

Published:09/10/2017

CONTENTS

KNIFE & MAGNET COMPONENTS.....	1
CONTROL BOX COMPONENTS	5

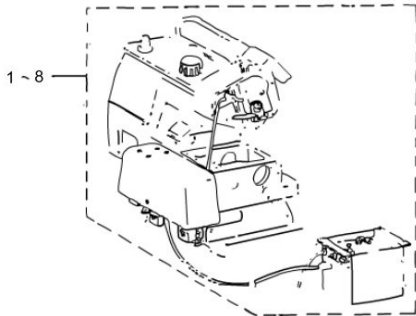
KNIFE & MAGNET COMPONENTS

1. KNIFE & MAGNET COMPONENTS

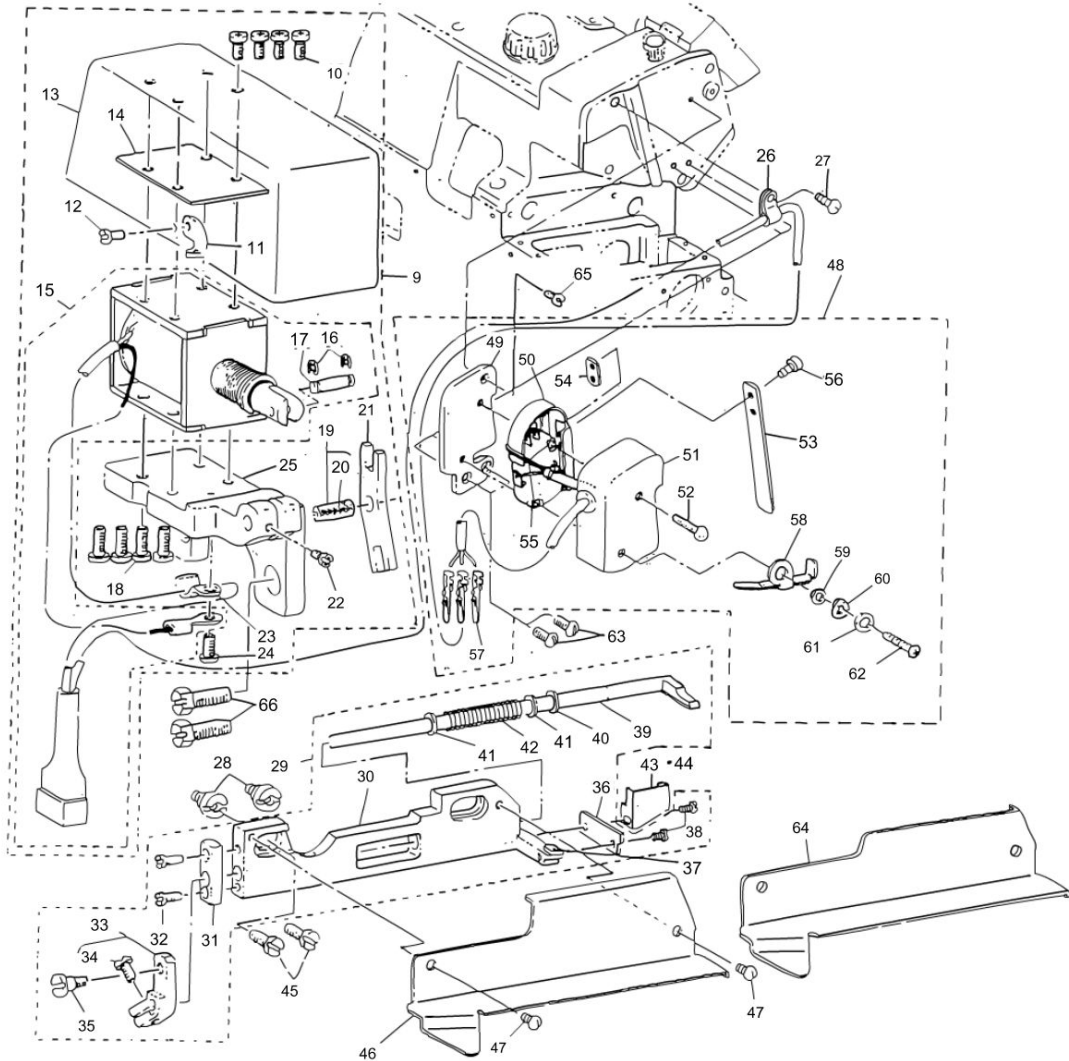
メス・マグネット関係

CHAIN-OFF THREAD CUTTER ASM. PART NO.

装置部品番



Ref. No.	Part No. 品番	100V	220V	Applicable models 適用機種
		115V 200V	240V 380V 415V 440V	
1	400-44155	○		MO-6A00S
2	400-44156		○	
3	400-44157	○		MO-6900R
4	400-44158		○	
5	400-44159	○		MO-6900G
6	400-44160		○	
7	400-44161	○		MO-6900J
8	400-44162		○	



KNIFE & MAGNET COMPONENTS

No.	Parts No.	Parts name	Remarks	Level	Cons	Qty
1	40044155	T039 A S				1
2	40044156	T039 B S				1
3	40044157	T039 A R				1
4	40044158	T039 B R				1
5	40044159	T039 A G				1
6	40044160	T039 B G				1
7	40044161	T039 A J				1
8	40044162	T039 B J				1
9	40042743	THREAD CUTTER MAGNET ASM.				1
10	SM4040601SB	SCREW M4X0.7 L=6		*		4
11	B2526704000	LOWER LOOPER THREAD GUIDE	FOR SAFETY STITCHER	*		1
12	SS6090630SP	SCREW 9/64-40 L=6	FOR SAFETY STITCHER	*		1
13	MAT03219000A	MAGNET COVER		*		1
14	MAT81132T00	MAGNET RUBBER COVER		*		1
15	40042572	THREAD CUTTER MAGNET ASM.		*		1
16	RE0300000K0	E-RING 3		*		2
17	MAT80114T00	PLUNGER PIN		*		1
18	SM4041001SN	SCREW M4X0.7 L=10		*		4
19	B21160190A0	PIN ASM.		*		1
20	CQ200000000	OIL WICK		*		0.2
21	MAT00509000	KNIFE DRIVING LEVER		*		1
22	SS4090615SP	SCREW 9/64-40 L=6		*		1
23	D2611555B0B	CABLE HOLDER B		*		1
24	SS7090850SP	SCREW 9/64-40 L=8		*		1
25	MAT03218000B	MAGNET WITH MOUNTING BASE		*		1
26	G5066110000	CORD HOLDER				1
27	SS3090710TP	SCREW 9/64-40 L=7				1
28	MAT01601000B	KNIFE BASE SPACER SCREW				2
29	MAT005020A0A	KNIFE BASE COMPL.				1
30	MAT00502000A	KNIFE BASE		*		1
31	MAT80102T00	KNIFE DRIVING SHAFT BUSHING		*		1
32	SS4080610SP	SCREW 1/8-44 L=6.4		*		2
33	MAT005060A0	KNIFE DRIVING ARM ASM.		*		1
34	SS6090810SP	SCREW 9/64-40 L= 7.5		*		1
35	SD0500481TP	HINGE SCREW D= 5 H= 4.8		*		1
36	MAT00505000	KNIFE		*		1
37	MAT81102T00A	KNIFE STOPPER		*		1
38	SS3060410SP	SCREW 3/32-56 L=4		*		2
39	MAT00504000A	DRIVING SHAFT		*		1
40	MAT80106T00	SNAP RING		*		1
41	WP0510516SD	WASHER 5.1X7.5X0.5		*		2
42	MAT80105T00	SPRING		*		1
43	MAT01603000	SIDE COVER	FOR MO-6△00S,MO-6900R			1
44	MAT01603A00	SIDE COVER	FOR MO-6900G,MO-6900J			1
45	SS6120940SP	SCREW 3/16-28 L=9				2
46	MAT03901000	KNIFE BASE COVER	FOR MO-6△00S,MO-6900G			1
47	SS5090610SP	SCREW 9/64-40 L=6				2

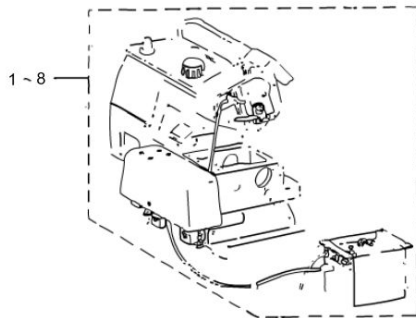
KNIFE & MAGNET COMPONENTS

1. KNIFE & MAGNET COMPONENTS

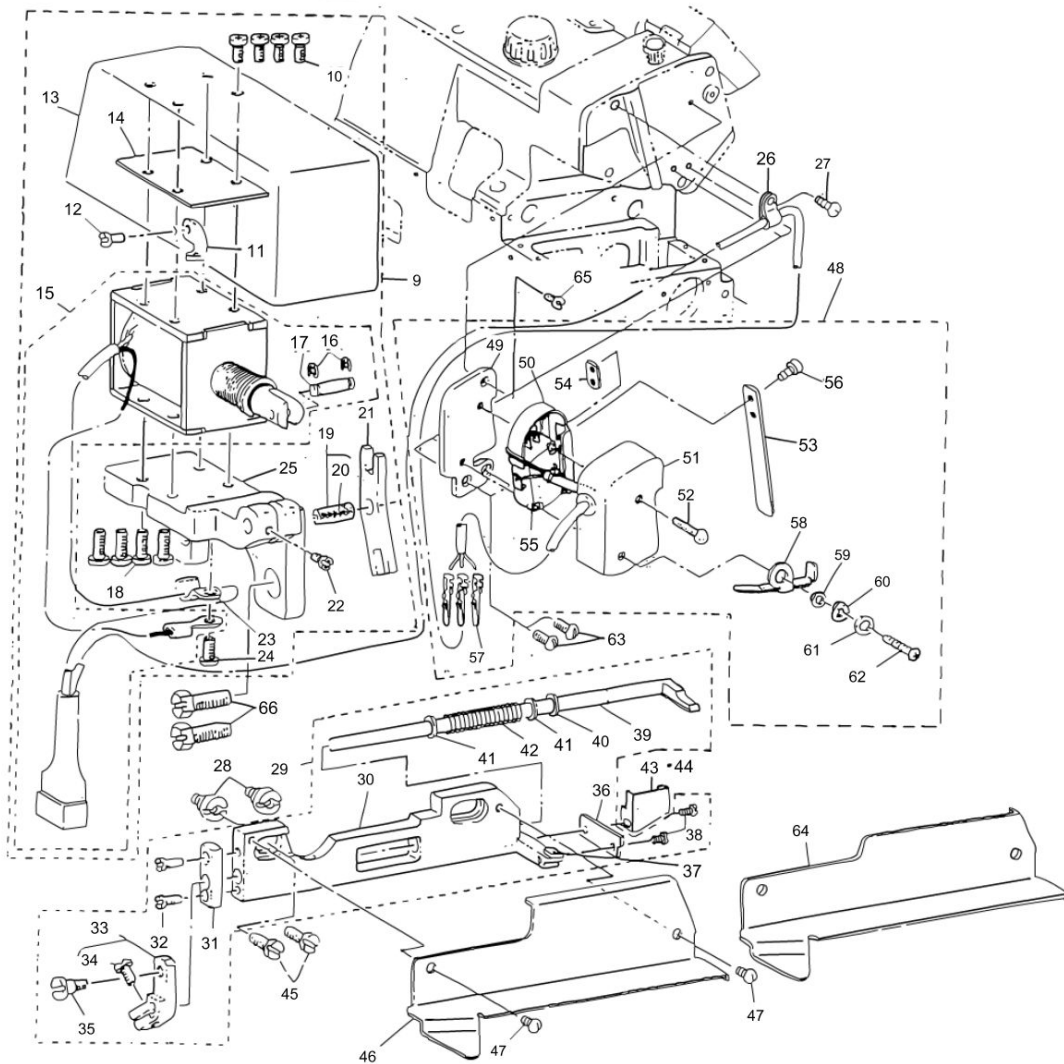
メス・マグネット関係

CHAIN-OFF THREAD CUTTER ASM. PART NO.

装置総組品番



Ref. No.	Part No. 品番	100V	220V	Applicable models 適用機種
		115V 200V	240V 380V 415V 440V	
1	400-44155	○		MO-6A00S
2	400-44156		○	
3	400-44157	○		MO-6900R
4	400-44158		○	
5	400-44159	○		MO-6900G
6	400-44160		○	
7	400-44161	○		MO-6900J
8	400-44162		○	



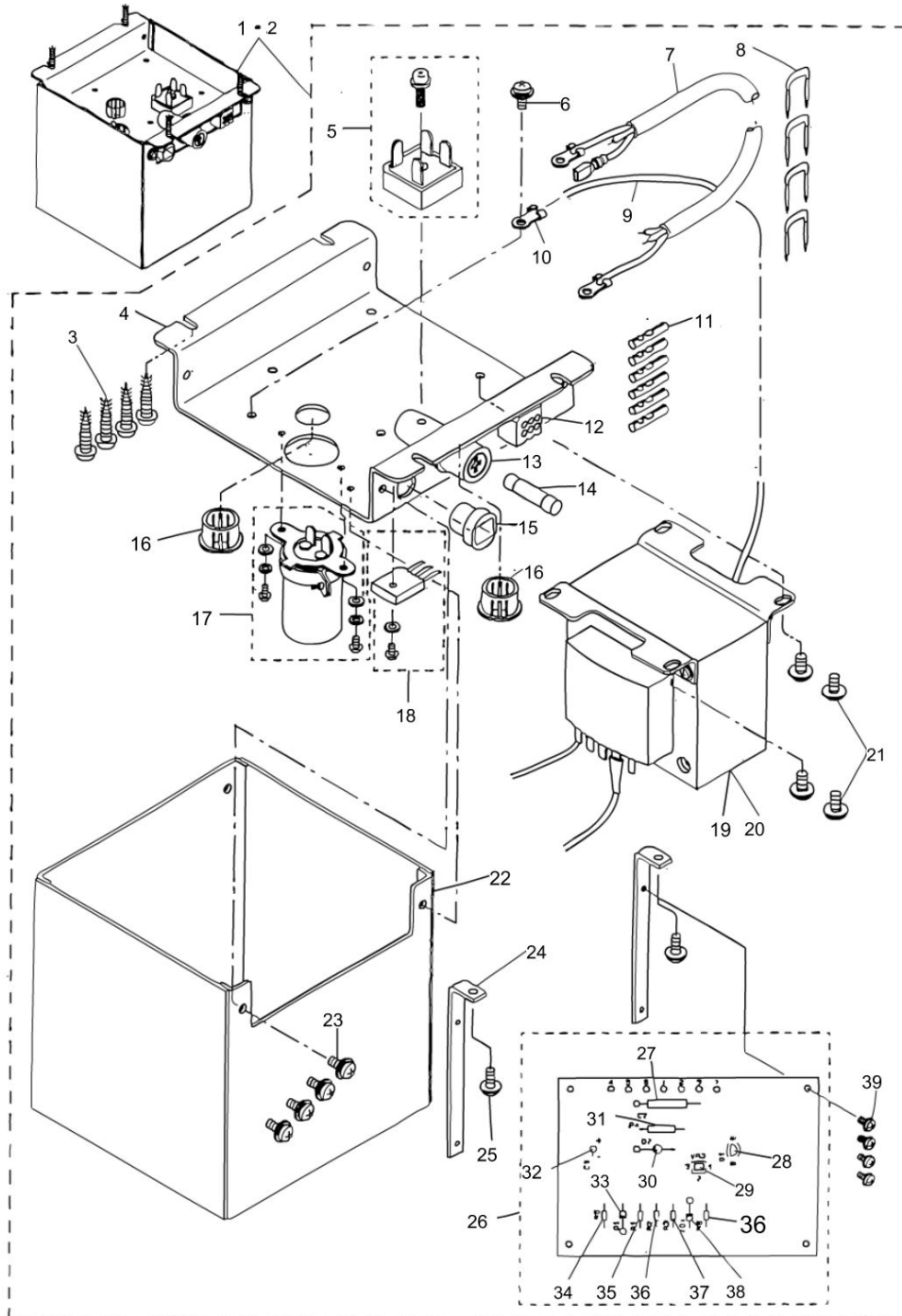
KNIFE & MAGNET COMPONENTS

No.	Parts No.	Parts name	Remarks	Level	Cons	Qty
48	40042568	THREAD CUT SWITCH ASM.				1
49	MAT01652000	SWITCH INSTALLING PLATE		*		1
50	MAT01653000	SWITCH PUSH PLATE		*		1
51	MAT03220000	SWITCH COVER		*		1
52	SM4031401SC	SCREW M3X0.5 L=14		*		1
53	MAT03902000	PUSH AUXILIARY PLATE		*		1
54	MAT01663000	PUSH AUXILIARY REAR PLATE		*		1
55	MAT80120T00	MICROSWITCH		*		1
56	SM4860501SC	SCREW M2.6 L=5		*		2
57	HK03464000B	PIN CONTACT		*		3
58	MAT00614000	SWITCH STOPPER		*		1
59	MAT00615000	STOPPER COLLAR		*		1
60	WZ0541510KP	WAVED WASHER 5.4X9.0X0.3		*		1
61	WP0330501SB	WASHER M3		*		1
62	SM4031601SC	SCREW M3 L=16		*		1
63	SS4090610SP	SCREW 9/64-40 L=6				2
64	MAT03904000	KNIFE BASE COVER B	FOR MO-6900R,MO-6900J			1
65	SS6090610SP	SCREW 9/64-40 L= 5.5				1
66	SS9151630CP	SCREW 15/64-28 L=15.5				2

CONTROL BOX COMPONENTS

2. CONTROL BOX COMPONENTS

コントロールボックス関係



CONTROL BOX COMPONENTS

No.	Parts No.	Parts name	Remarks	Level	Cons	Qty
1	MAT00601AAA	CONTROL BOX FINISHED GOODS	FOR 220V,380V,415V,440V			1
2	MAT00601BAA	CONTROL BOX FINISHED GOODS B	FOR 100V,115V,200V,240V			1
3	SK3482500SC	WOOD SCREW D=4.8 L=25		*		4
4	MAT00611000A	CONTROL BOX MOUNTING BASE		*		1
5	M9636110000	DIODE BRIDGE		*		1
6	SL4041091SF	SCREW M4X10		*		1
7	MAT006050A0	POWER SOURCE CORD ASM.		*		1
8	MAO11532000	CORD STAPLE		*		4
9	E9561351000	CROUNDING CORD, GREEN YELLOW		*		0.5
10	HP000700190	GROUND WIRE TERMINAL		*		1
11	D6042555B00	PIN TERMINAL, FEMALE		*		6
12	D6029555B0B	NYLON RECEPTACLE 6P		*		1
13	HF000711500	FUSE HOLDER		*		1
14	HF000201000	FUSE F-7161 10A		*		1
15	HX000210000	CORD BUSHING		*		1
16	MAT80148T00	RUBBER BUSHING TB1116		*		2
17	HC010102220	CAPACITOR 2200MF 63V		*		1
18	HT002570000	TRANSISTOR		*		1
19	MAT00610000A	TRANSFOMER, A	FOR 220V,380V,415V,440V	*		1
20	MAT00610B00A	TRANSFOMER, B	FOR 100V,115V,200V,240V	*		1
21	SL4040891SE	SCREW		*		4
22	MAT00616000	CONTROL UNIT COVER		*		1
23	SL4040881SF	SCREW M4 L=8		*		4
24	MAT00612000	WIRE BOARD SUPPORT PLATE		*		2
25	SL4030881SF	SCREW		*		2
26	MAT006010A0	MCU PRINTED CIRCUIT BOARD ASM.		*		1
27	HC010201010	CAPACITOR 100MF 63V		*		1
28	HT001550000	TRANSISTOR 2SC1815		*		1
29	E9603603000	VARIABLE RESISTOR 10K OHM		*		1
30	HG000520000	DIODE 3BZ61		*		1
31	HR004202020	RESISTOR 2K OHM 2W		*		1
32	HC029801000	CAPACITOR 10MF		*		1
33	HG26720112P	DIODE (V06C)		*		1
34	HR001701010	RESISTOR 100 OHM 1/4W		*		1
35	HR001701000	RESISTOR 10 OHM 1/4W		*		1
36	HR001701030	RESISTOR 10K OHM 1/4W		*		2
37	HR001701020	RESISTOR 1K OHM 1/4W		*		1
38	HG005440000	ZENER DIODE		*		1
39	SL4030641SE	SCREW		*		4

NUMERICAL INDEX OF PARTS

PART NO	PAGE	REF NO.	PART NO	PAGE	REF NO.	PART NO	PAGE	REF NO.
40042568	4	48	MAT00509000	2	21	SS3060410SP	2	38
40042572	2	15	MAT006010A0	6	26	SS3090710TP	2	27
40042743	2	9	MAT00601AAA	6	1	SS4080610SP	2	32
40044155	2	1	MAT00601BAA	6	2	SS4090610SP	4	63
40044156	2	2	MAT006050A0	6	7	SS4090615SP	2	22
40044157	2	3	MAT00610000A	6	19	SS5090610SP	2	47
40044158	2	4	MAT00610B00A	6	20	SS6090610SP	4	65
40044159	2	5	MAT00611000A	6	4	SS6090630SP	2	12
40044160	2	6	MAT00612000	6	24	SS6090810SP	2	34
40044161	2	7	MAT00614000	4	58	SS6120940SP	2	45
40044162	2	8	MAT00615000	4	59	SS7090850SP	2	24
B21160190A0	2	19	MAT00616000	6	22	SS9151630CP	4	66
B2526704000	2	11	MAT01601000B	2	28	WP0330501SB	4	61
CQ200000000	2	20	MAT01603000	2	43	WP0510516SD	2	41
D2611555B0B	2	23	MAT01603A00	2	44	WZ0541510KP	4	60
D6029555B0B	6	12	MAT01652000	4	49			
D6042555B00	6	11	MAT01653000	4	50			
E9561351000	6	9	MAT01663000	4	54			
E9603603000	6	29	MAT03218000B	2	25			
G5066110000	2	26	MAT03219000A	2	13			
HC010102220	6	17	MAT03220000	4	51			
HC010201010	6	27	MAT03901000	2	46			
HC029801000	6	32	MAT03902000	4	53			
HF000201000	6	14	MAT03904000	4	64			
HF000711500	6	13	MAT80102T00	2	31			
HG000520000	6	30	MAT80105T00	2	42			
HG005440000	6	38	MAT80106T00	2	40			
HG26720112P	6	33	MAT80114T00	2	17			
HK03464000B	4	57	MAT80120T00	4	55			
HP000700190	6	10	MAT80148T00	6	16			
HR001701000	6	35	MAT81102T00A	2	37			
HR001701010	6	34	MAT81132T00	2	14			
HR001701020	6	37	RE0300000K0	2	16			
HR001701030	6	36	SD0500481TP	2	35			
HR004202020	6	31	SK3482500SC	6	3			
HT001550000	6	28	SL4030641SE	6	39			
HT002570000	6	18	SL4030881SF	6	25			
HX000210000	6	15	SL4040881SF	6	23			
M9636110000	6	5	SL4040891SE	6	21			
MAO11532000	6	8	SL4041091SF	6	6			
MAT00502000A	2	30	SM4031401SC	4	52			
MAT005020A0A	2	29	SM4031601SC	4	62			
MAT00504000A	2	39	SM4040601SB	2	10			
MAT00505000	2	36	SM4041001SN	2	18			
MAT005060A0	2	33	SM4860501SC	4	56			