

MODEL : MO-3900 SUBCLASSES

List No : 0849-02

# PARTS LIST

Published:09/10/2017

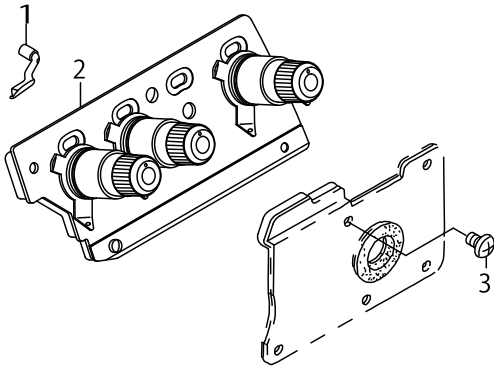
## CONTENTS

---

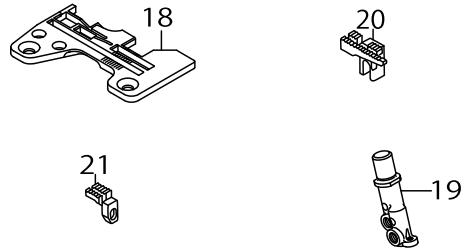
MO-3900 SUBCLASSES (1).....	1
MO-3900 SUBCLASSES (2).....	3
MO-3900 SUBCLASSES (3).....	5
MO-3900 SUBCLASSES (4).....	7
MO-3900 SUBCLASSES (5).....	9
MO-3900 SUBCLASSES (6).....	11
MO-3900 SUBCLASSES (7).....	13
MO-3900 SUBCLASSES (8).....	15
MO-3900 SUBCLASSES (9).....	17
MO-3900 SUBCLASSES (10).....	19
MO-3900 SUBCLASSES (11).....	21
MO-3900 SUBCLASSES (12).....	23
MO-3900 SUBCLASSES (13).....	27
MO-3900 SUBCLASSES (14).....	29
MO-3900 SUBCLASSES (15).....	31
MO-3900 SUBCLASSES (16).....	33
MO-3900 SUBCLASSES (17).....	35
MO-3900 SUBCLASSES (18).....	37
MO-3900 SUBCLASSES (19).....	39
MO-3900 SUBCLASSES (20).....	43
THREAD STAND COMPONENTS.....	47
HOW TO MAKE USE OF THIS PARTS LIST .....	49

MO-3900 SUBCLASSES (1)

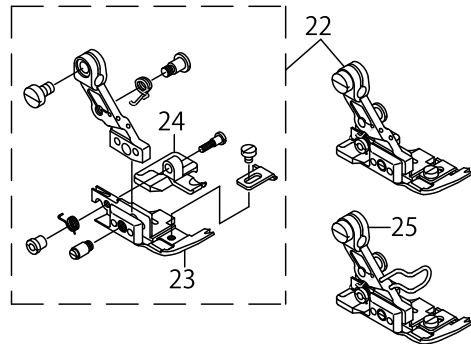
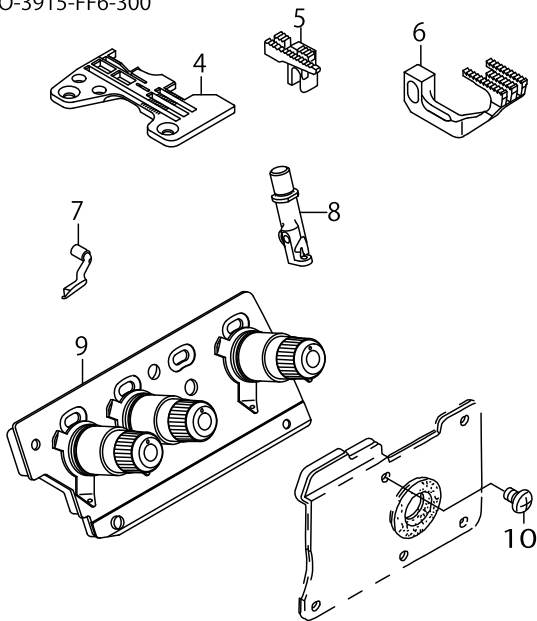
MO-3915-DE4-300



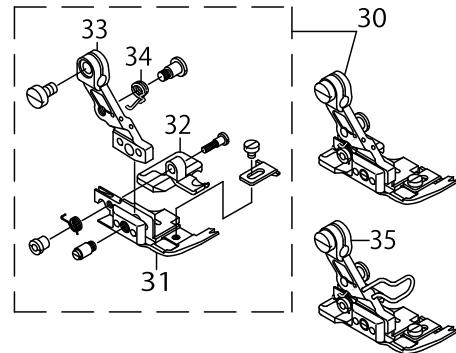
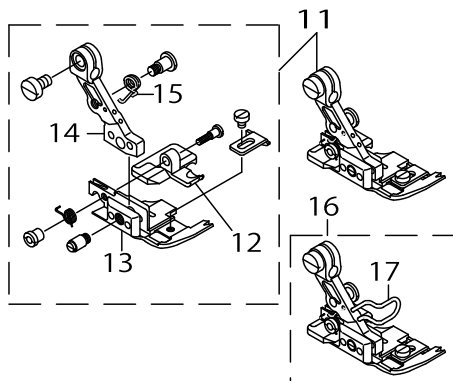
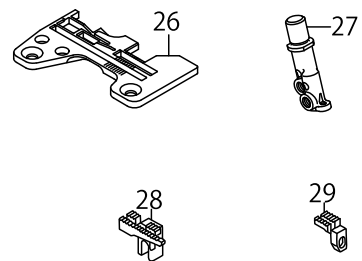
MO-3916-AE4-300



MO-3915-FF6-300



MO-3916-BD4-300

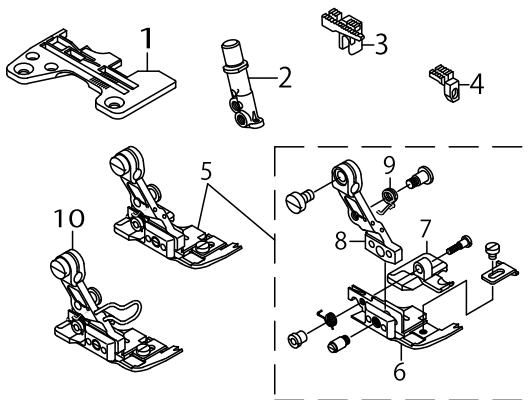


## MO-3900 SUBCLASSES (1)

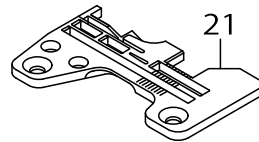
No.	Parts No.	Parts name	Remarks	Level	Cons	Qty
1	11888609	UPPER SPREADER				1
2	12181160	THREAD GUIDE PLATE ASM.				1
3	SM4040655SP	SCREW				1
4	R4612J0FD00	THROAT PLATE				1
5	11884004	MAIN FEED DOG				1
6	12173308	DIFFERENTIAL FEED DOG				1
7	11888609	UPPER SPREADER				1
8	12150306	NEEDLE CLAMP, CHAIN LOOPER				1
9	12181160	THREAD GUIDE PLATE ASM.				1
10	SM4040655SP	SCREW				1
11	12154258	PRESSER FOOT ASM.				1
12	12165304	REAR PRESSER FOOT		*		1
13	12162707	PRESSER FOOT		*		1
14	12157004	PRESSER FOOT HINGE		*		1
15	12168001	PRESSER FOOT ARM SPRING, (B)		*		1
16	12154266	PRESSER FOOT ASM.	FOR EXPORT			1
17	12168209	FINGER GUARD		*		1
18	R4504J0ED00	THROAT PLATE				1
19	12149902	CHAIN LOOPER NEEDLE CLAMP				1
20	11882602	MAIN FEED DOG				1
21	11887304	AUXILIARY FEED DOG				1
22	12153854	PRESSER FOOT ASM.				1
23	12162301	PRESSER FOOT				1
24	12164901	REAR PRESSER FOOT				1
25	12153862	PRESSER FOOT ASM.	FOR EXPORT			1
26	R4505J0DD00	THROAT PLATE				1
27	12150009	CHAIN LOOPER NEEDLE CLAMP				1
28	11882602	MAIN FEED DOG				1
29	11887304	AUXILIARY FEED DOG				1
30	12153953	PRESSER FOOT ASM.				1
31	12162400	PRESSER FOOT				1
32	12165007	REAR PRESSER FOOT				1
33	12157202	PRESSER FOOT HINGE				1
34	12168308	PRESSER FOOT ARM SPRING, (C)				1
35	12153961	PRESSER FOOT ASM.	FOR EXPORT			1

MO-3900 SUBCLASSES (2)

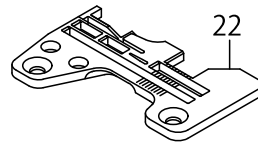
MO-3916-BE4-300



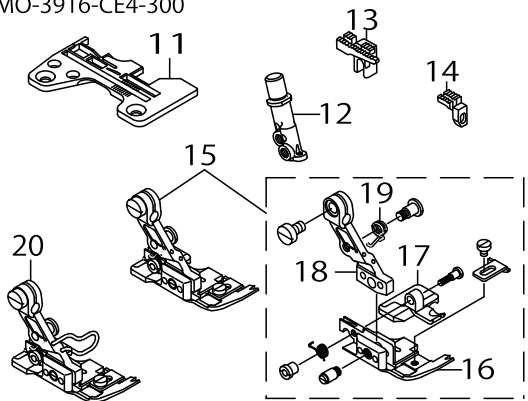
MO-3916-DD4-300



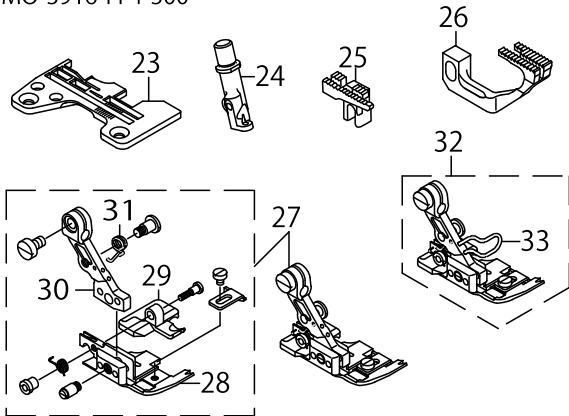
MO-3916-DF4-300



MO-3916-CE4-300



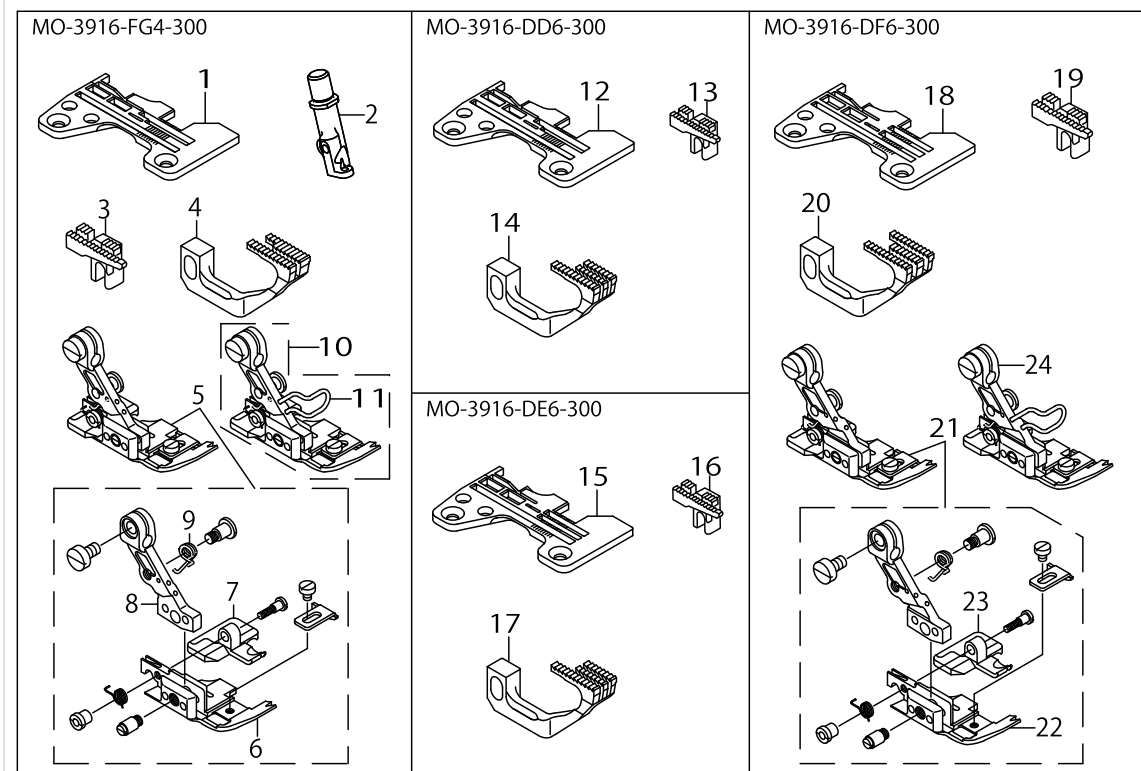
MO-3916-FF4-300



MO-3900 SUBCLASSES (2)

No.	Parts No.	Parts name	Remarks	Level	Cons	Qty
1	R4505J0ED00	THROAT PLATE				1
2	12150009	CHAIN LOOPER NEEDLE CLAMP				1
3	11882602	MAIN FEED DOG				1
4	11887304	AUXILIARY FEED DOG				1
5	12153953	PRESSER FOOT ASM.				1
6	12162400	PRESSER FOOT		*		1
7	12165007	REAR PRESSER FOOT		*		1
8	12157202	PRESSER FOOT HINGE		*		1
9	12168308	PRESSER FOOT ARM SPRING, (C)		*		1
10	12153961	PRESSER FOOT ASM.	FOR EXPORT			1
11	R4506J0ED00	THROAT PLATE				1
12	12150108	CHAIN LOOPER NEEDLE CLAMP				1
13	11882602	MAIN FEED DOG				1
14	11887304	AUXILIARY FEED DOG				1
15	12154050	PRESSER FOOT ASM.				1
16	12162509	PRESSER FOOT		*		1
17	12165106	REAR PRESSER FOOT		*		1
18	12157202	PRESSER FOOT HINGE		*		1
19	12168308	PRESSER FOOT ARM SPRING, (C)		*		1
20	12154068	PRESSER FOOT ASM.	FOR EXPORT			1
21	R4508J0DD00	THROAT PLATE				1
22	R4508J0FD00	THROAT PLATE				1
23	R4508J0FD00	THROAT PLATE				1
24	12150306	NEEDLE CLAMP, CHAIN LOOPER				1
25	11884004	MAIN FEED DOG				1
26	12173100	DIFFERENTIAL FEED DOG				1
27	12154258	PRESSER FOOT ASM.				1
28	12162707	PRESSER FOOT		*		1
29	12165304	REAR PRESSER FOOT		*		1
30	12157004	PRESSER FOOT HINGE		*		1
31	12168001	PRESSER FOOT ARM SPRING, (B)		*		1
32	12154266	PRESSER FOOT ASM.	FOR EXPORT			1
33	12168209	FINGER GUARD		*		1

MO-3900 SUBCLASSES (3)

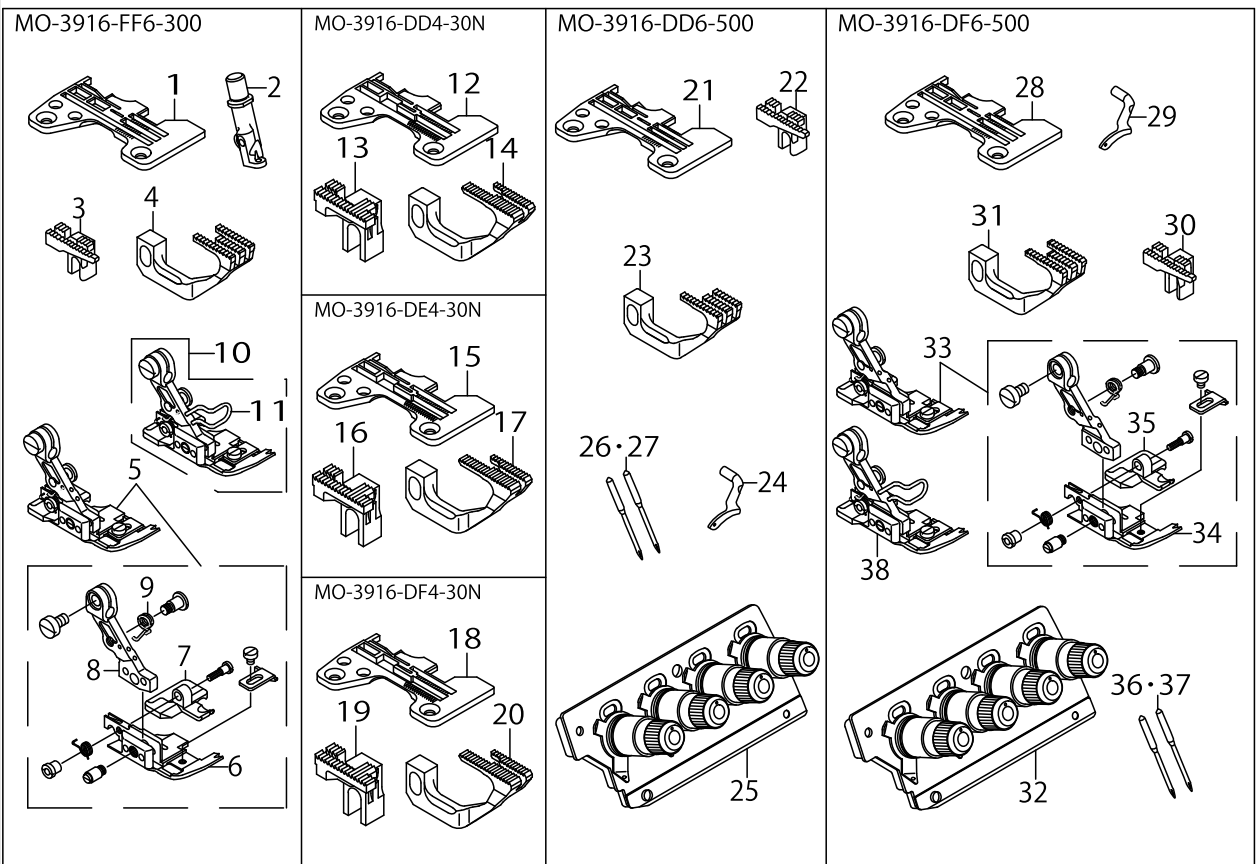


## MO-3900 SUBCLASSES (3)

No.	Parts No.	Parts name	Remarks	Level	Cons	Qty
1	R4512J0GD00	THROAT PLATE				1
2	12150306	NEEDLE CLAMP, CHAIN LOOPER				1
3	11884004	MAIN FEED DOG				1
4	12173100	DIFFERENTIAL FEED DOG				1
5	12154258	PRESSER FOOT ASM.				1
6	12162707	PRESSER FOOT		*		1
7	12165304	REAR PRESSER FOOT		*		1
8	12157004	PRESSER FOOT HINGE		*		1
9	12168001	PRESSER FOOT ARM SPRING, (B)		*		1
10	12154266	PRESSER FOOT ASM.	FOR EXPORT			1
11	12168209	FINGER GUARD		*		1
12	R4608J0DD00	THROAT PLATE				1
13	11882909	MAIN FEED DOG				1
14	12173209	DIFFERENTIAL FEED DOG				1
15	R4608J0ED00	THROAT PLATE				1
16	11882909	MAIN FEED DOG				1
17	12173209	DIFFERENTIAL FEED DOG				1
18	R4608J0FD00	THROAT PLATE				1
19	11987708	MAIN FEED DOG				1
20	12173308	DIFFERENTIAL FEED DOG				1
21	12154159	PRESSER FOOT ASM.				1
22	12162608	PRESSER FOOT		*		1
23	12165205	REAR PRESSER FOOT		*		1
24	12154167	PRESSER FOOT ASM.	FOR EXPORT			1

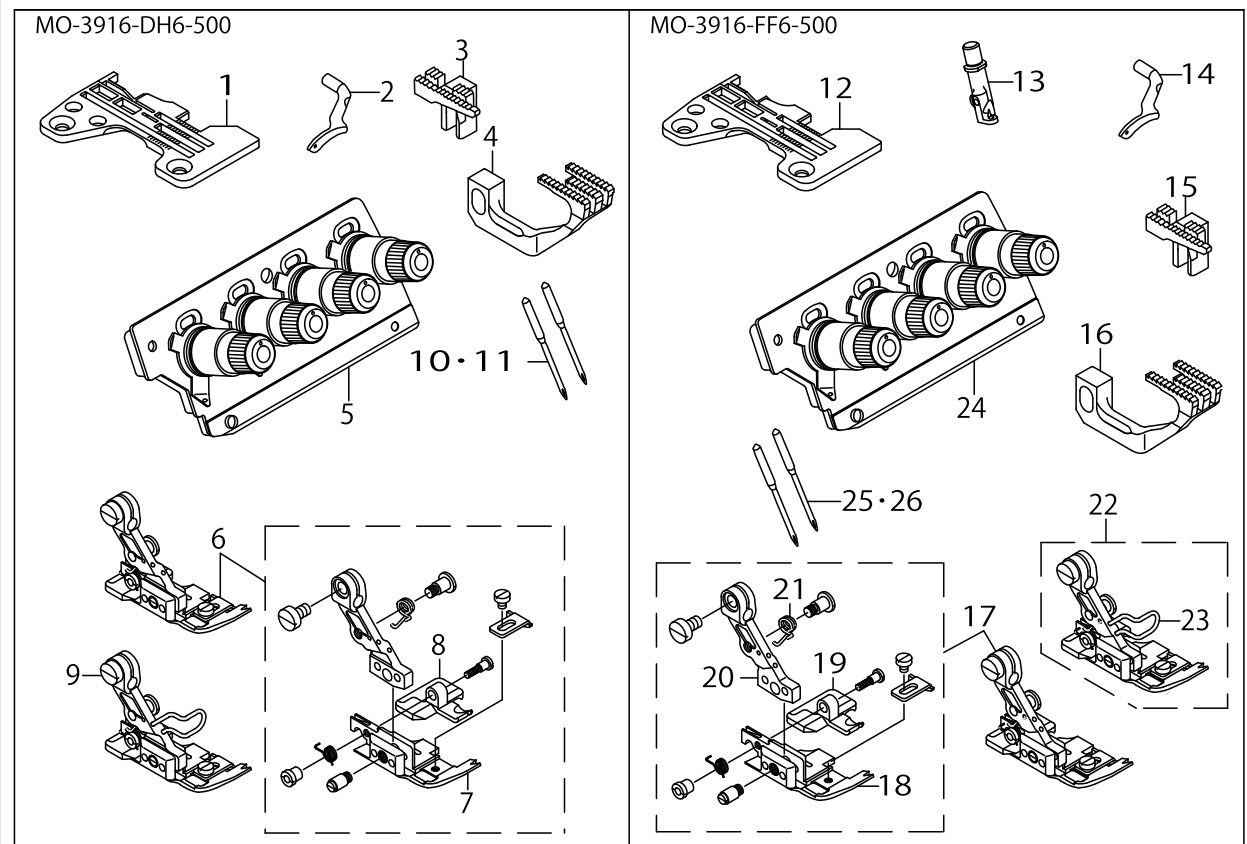


MO-3900 SUBCLASSES (4)



MO-3900 SUBCLASSES (4)

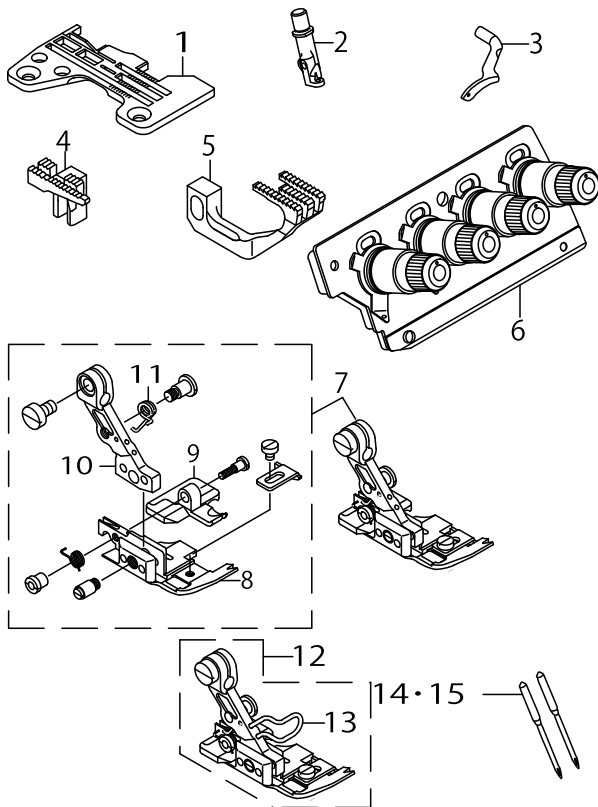
No.	Parts No.	Parts name	Remarks	Level	Cons	Qty
1	R4612J0FD00	THROAT PLATE				1
2	12150306	NEEDLE CLAMP, CHAIN LOOPER				1
3	11884004	MAIN FEED DOG				1
4	12173308	DIFFERENTIAL FEED DOG				1
5	12154258	PRESSER FOOT ASM.				1
6	12162707	PRESSER FOOT		*		1
7	12165304	REAR PRESSER FOOT		*		1
8	12157004	PRESSER FOOT HINGE		*		1
9	12168001	PRESSER FOOT ARM SPRING, (B)		*		1
10	12154266	PRESSER FOOT ASM.	FOR EXPORT			1
11	12168209	FINGER GUARD		*		1
12	R4508J0DD0E	THROAT PLATE				1
13	12171302	MAIN FEED DOG				1
14	12174306	SUB-FEED DOG				1
15	R4508J0ED0D	THROAT PLATE				1
16	12171302	MAIN FEED DOG				1
17	12174306	SUB-FEED DOG				1
18	R4508J0FD0B	THROAT PLATE				1
19	12171302	MAIN FEED DOG				1
20	12174306	SUB-FEED DOG				1
21	R4608J0DF00	THROAT PLATE				1
22	11980802	MAIN FEED DOG				1
23	12173902	DIFFERENTIAL FEED DOG				1
24	11999208	UPPER LOOPER				1
25	12180865	THREAD GUIDE PLATE ASM.				1
26	MDC270B1600	NEEDLE DCX27 #16				2
27	MC033601000	NEEDLE B-27 NM100	FOR JE			2
28	R4608J0FG00	THROAT PLATE				1
29	11999208	UPPER LOOPER				1
30	11884400	MAIN FEED DOG				1
31	12173506	DIFFERENTIAL FEED DOG				1
32	12180865	THREAD GUIDE PLATE ASM.				1
33	12154159	PRESSER FOOT ASM.				1
34	12162608	PRESSER FOOT		*		1
35	12165205	REAR PRESSER FOOT		*		1
36	MDC270B1600	NEEDLE DCX27 #16				2
37	MC033601000	NEEDLE B-27 NM100	FOR JE			2
38	12154167	PRESSER FOOT ASM.	FOR EXPORT			1



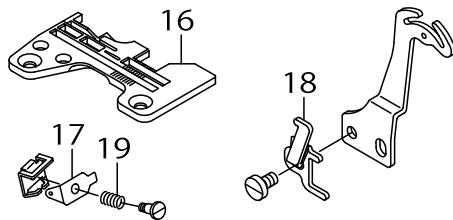
## MO-3900 SUBCLASSES (5)

No.	Parts No.	Parts name	Remarks	Level	Cons	Qty
1	R4608J0HG00	THROAT PLATE				1
2	11999208	UPPER LOOPER				1
3	11884400	MAIN FEED DOG				1
4	12173506	DIFFERENTIAL FEED DOG				1
5	12180865	THREAD GUIDE PLATE ASM.				1
6	12154159	PRESSER FOOT ASM.				1
7	12162608	PRESSER FOOT		*		1
8	12165205	REAR PRESSER FOOT		*		1
9	12154167	PRESSER FOOT ASM.	FOR EXPORT			1
10	MDC270B1600	NEEDLE DCX27 #16				2
11	MC033601000	NEEDLE B-27 NM100	FOR JE			2
12	R4612J0FG00	THROAT PLATE				1
13	12150306	NEEDLE CLAMP, CHAIN LOOPER				1
14	11999208	UPPER LOOPER				1
15	11883006	MAIN FEED DOG				1
16	12173506	DIFFERENTIAL FEED DOG				1
17	12154258	PRESSER FOOT ASM.				1
18	12162707	PRESSER FOOT		*		1
19	12165304	REAR PRESSER FOOT		*		1
20	12157004	PRESSER FOOT HINGE		*		1
21	12168001	PRESSER FOOT ARM SPRING, (B)		*		1
22	12154266	PRESSER FOOT ASM.	FOR EXPORT			1
23	12168209	FINGER GUARD		*		1
24	12180865	THREAD GUIDE PLATE ASM.				1
25	MDC270B1600	NEEDLE DCX27 #16				2
26	MC033601000	NEEDLE B-27 NM100	FOR JE			2

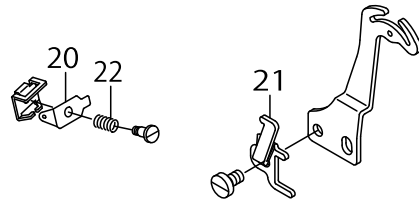
MO-3916-FH6-500



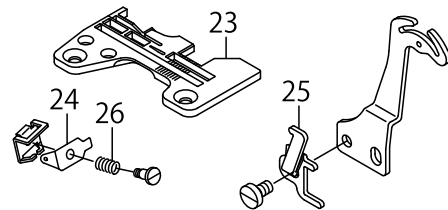
MO-3916A-DD4-300,MO-3916B-DD4-300



MO-3916A-DE4-300,MO-3916B-DE4-300



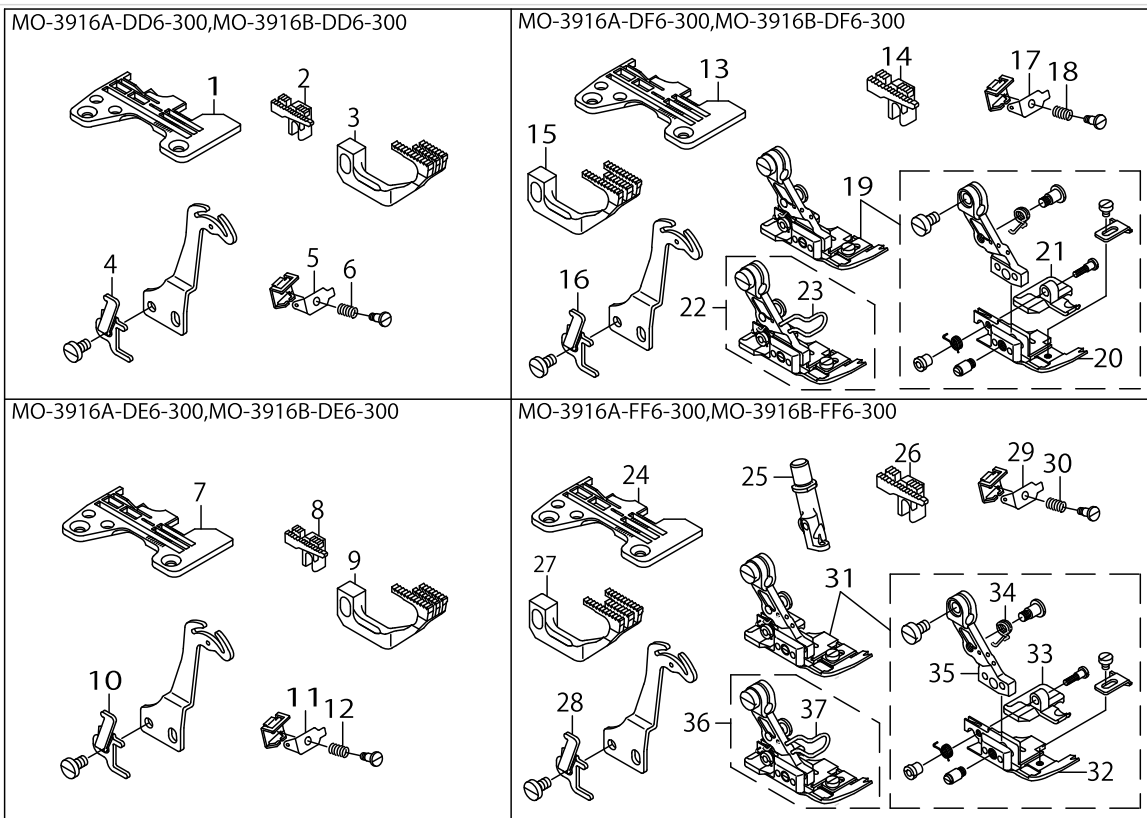
MO-3916A-DF4-300,MO-3916B-DF4-300



## MO-3900 SUBCLASSES (6)

No.	Parts No.	Parts name	Remarks	Level	Cons	Qty
1	R4612J0HG00	THROAT PLATE				1
2	12150306	NEEDLE CLAMP, CHAIN LOOPER				1
3	11999208	UPPER LOOPER				1
4	11883006	MAIN FEED DOG				1
5	12173506	DIFFERENTIAL FEED DOG				1
6	12180865	THREAD GUIDE PLATE ASM.				1
7	12154258	PRESSER FOOT ASM.				1
8	12162707	PRESSER FOOT		*		1
9	12165304	REAR PRESSER FOOT		*		1
10	12157004	PRESSER FOOT HINGE		*		1
11	12168001	PRESSER FOOT ARM SPRING, (B)		*		1
12	12154266	PRESSER FOOT ASM.	FOR EXPORT			1
13	12168209	FINGER GUARD		*		1
14	MDC270B1600	NEEDLE DCX27 #16				2
15	MC033601000	NEEDLE B-27 NM100	FOR JE			2
16	R4508J0DD00	THROAT PLATE				1
17	12112504	NEEDLE THREAD PRESSER PLATE C				1
18	12112603	DIFFERENTIAL FEED CAM				1
19	12112702	NEEDLE THREAD PRESSER SPRING B				1
20	12112504	NEEDLE THREAD PRESSER PLATE C				1
21	12112603	DIFFERENTIAL FEED CAM				1
22	12112702	NEEDLE THREAD PRESSER SPRING B				1
23	R4508J0FD00	THROAT PLATE				1
24	12112504	NEEDLE THREAD PRESSER PLATE C				1
25	12112603	DIFFERENTIAL FEED CAM				1
26	12112702	NEEDLE THREAD PRESSER SPRING B				1

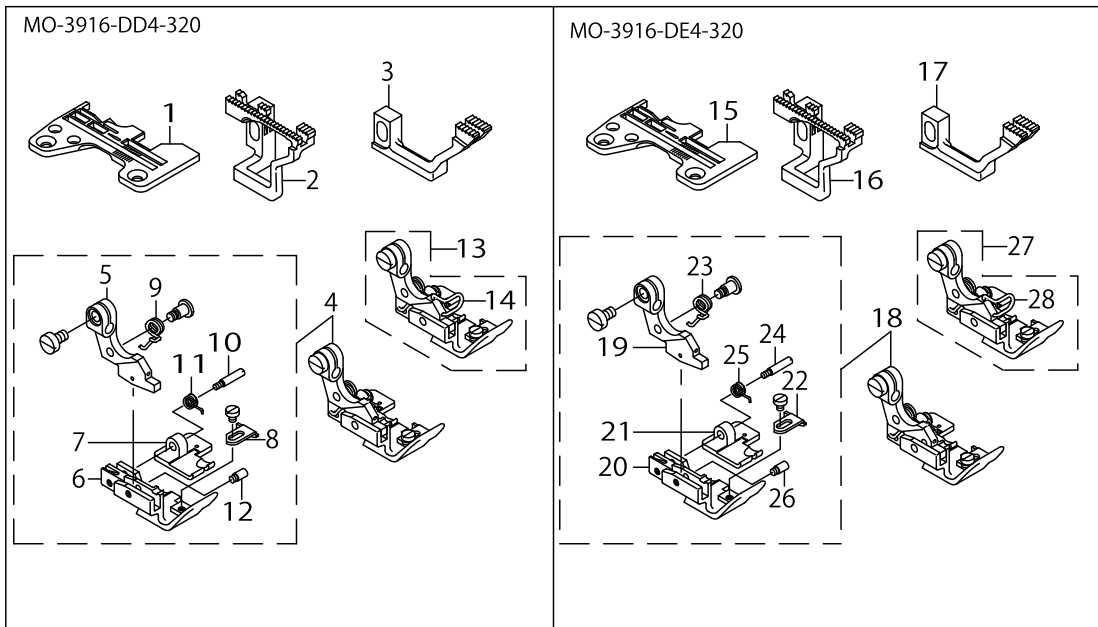
MO-3900 SUBCLASSES (7)



## MO-3900 SUBCLASSES (7)

No.	Parts No.	Parts name	Remarks	Level	Cons	Qty
1	R4608J0DD00	THROAT PLATE				1
2	11882909	MAIN FEED DOG				1
3	12173209	DIFFERENTIAL FEED DOG				1
4	12112603	DIFFERENTIAL FEED CAM				1
5	12112504	NEEDLE THREAD PRESSER PLATE C				1
6	12112702	NEEDLE THREAD PRESSER SPRING B				1
7	R4608J0ED00	THROAT PLATE				1
8	11882909	MAIN FEED DOG				1
9	12173209	DIFFERENTIAL FEED DOG				1
10	12112603	DIFFERENTIAL FEED CAM				1
11	12112504	NEEDLE THREAD PRESSER PLATE C				1
12	12112702	NEEDLE THREAD PRESSER SPRING B				1
13	R4608J0FD00	THROAT PLATE				1
14	11987708	MAIN FEED DOG				1
15	12173308	DIFFERENTIAL FEED DOG				1
16	12112603	DIFFERENTIAL FEED CAM				1
17	12112504	NEEDLE THREAD PRESSER PLATE C				1
18	12112702	NEEDLE THREAD PRESSER SPRING B				1
19	12154159	PRESSER FOOT ASM.				1
20	12162608	PRESSER FOOT		*		1
21	12165205	REAR PRESSER FOOT		*		1
22	12154167	PRESSER FOOT ASM.	FOR JE			1
23	12168209	FINGER GUARD		*		1
24	R4612J0FD00	THROAT PLATE				1
25	12150306	NEEDLE CLAMP, CHAIN LOOPER				1
26	11884004	MAIN FEED DOG				1
27	12173308	DIFFERENTIAL FEED DOG				1
28	12112603	DIFFERENTIAL FEED CAM				1
29	12112504	NEEDLE THREAD PRESSER PLATE C				1
30	12112702	NEEDLE THREAD PRESSER SPRING B				1
31	12154258	PRESSER FOOT ASM.				1
32	12162707	PRESSER FOOT		*		1
33	12165304	REAR PRESSER FOOT		*		1
34	12168001	PRESSER FOOT ARM SPRING, (B)		*		1
35	12157004	PRESSER FOOT HINGE		*		1
36	12154266	PRESSER FOOT ASM.	FOR JE			1
37	12168209	FINGER GUARD		*		1

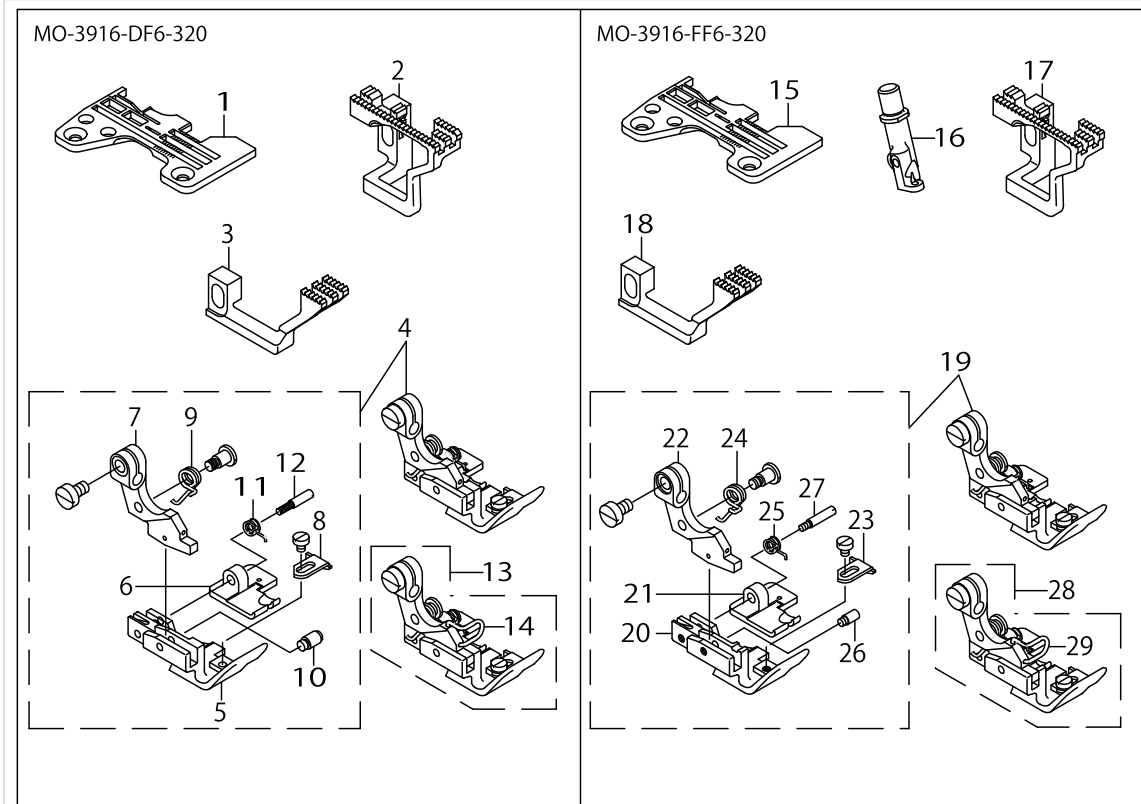




MO-3900 SUBCLASSES (8)

No.	Parts No.	Parts name	Remarks	Level	Cons	Qty
1	R4508J0DD0B	THROAT PLATE				1
2	12170700	MAIN FEED DOG				1
3	12172904	DIFFERENTIAL FEED DOG				1
4	12154654	PRESSER FOOT ASM.				1
5	12157103	PRESSER FOOT HINGE		*		1
6	12163101	FRONT PRESSER FOOT		*		1
7	12165502	REAR PRESSER FOOT		*		1
8	12168100	CLOTH GUIDE		*		1
9	B1515816000	PRESSER FOOT ARM SPRING		*		1
10	11930807	HINGE PIN		*		1
11	11991304	SPRING		*		1
12	11993508	PRESSER FOOT HINGE PIN		*		1
13	12154662	PRESSER FOOT ASM.	FOR EXPORT			1
14	11820800	FINGER GUARD		*		1
15	R4508J0ED0B	THROAT PLATE				1
16	12170700	MAIN FEED DOG				1
17	12172904	DIFFERENTIAL FEED DOG				1
18	12154654	PRESSER FOOT ASM.				1
19	12157103	PRESSER FOOT HINGE		*		1
20	12163101	FRONT PRESSER FOOT		*		1
21	12165502	REAR PRESSER FOOT		*		1
22	12168100	CLOTH GUIDE		*		1
23	B1515816000	PRESSER FOOT ARM SPRING		*		1
24	11930807	HINGE PIN		*		1
25	11991304	SPRING		*		1
26	11993508	PRESSER FOOT HINGE PIN		*		1
27	12154662	PRESSER FOOT ASM.	FOR EXPORT			1
28	11820800	FINGER GUARD		*		1

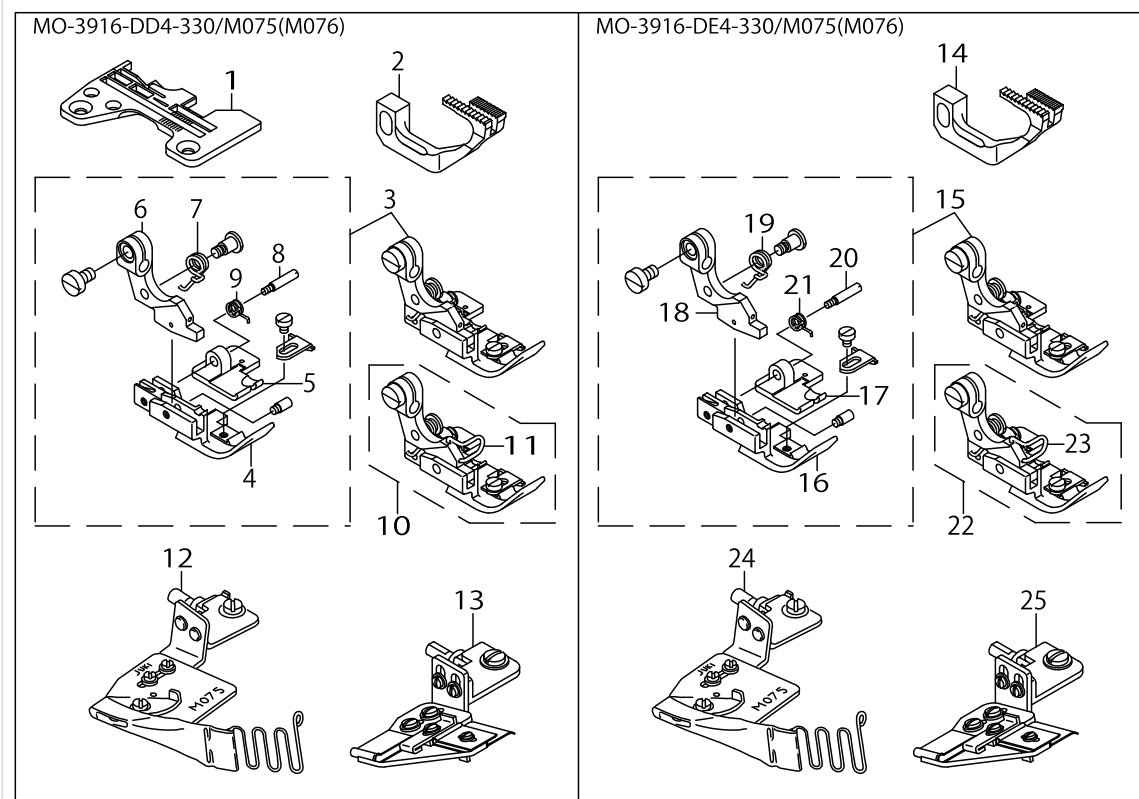
MO-3900 SUBCLASSES (9)



## MO-3900 SUBCLASSES (9)

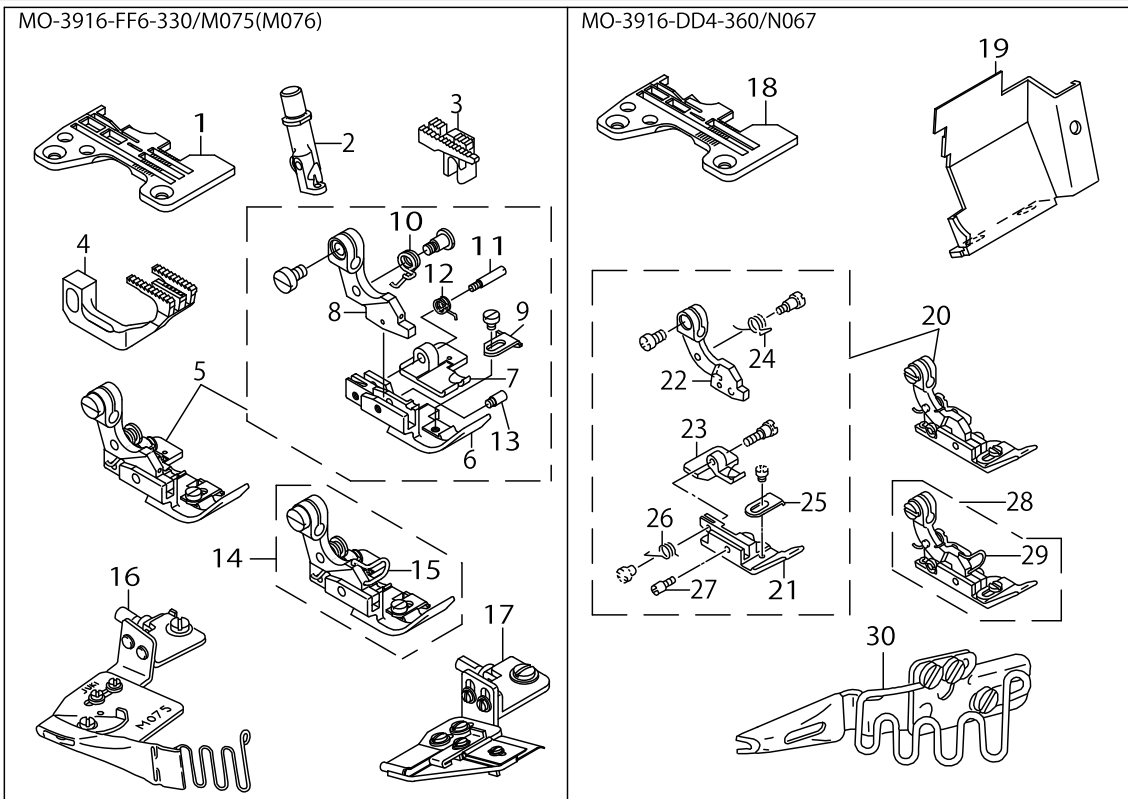
No.	Parts No.	Parts name	Remarks	Level	Cons	Qty
1	R4608J0FD0A	THROAT PLATE				1
2	12170809	MAIN FEED DOG				1
3	12173407	DIFFERENTIAL FEED DOG				1
4	12154753	PRESSER FOOT ASM.				1
5	12163200	FRONT PRESSER FOOT		*		1
6	12165502	REAR PRESSER FOOT		*		1
7	12168100	CLOTH GUIDE		*		1
8	B1515816000	PRESSER FOOT ARM SPRING		*		1
9	12157103	PRESSER FOOT HINGE		*		1
10	11993508	PRESSER FOOT HINGE PIN		*		1
11	11991304	SPRING		*		1
12	11930807	HINGE PIN		*		1
13	12154761	PRESSER FOOT ASM.	FOR EXPORT			1
14	11820800	FINGER GUARD		*		1
15	R4612J0FD0A	THROAT PLATE				1
16	12150306	NEEDLE CLAMP, CHAIN LOOPER				1
17	12170908	MAIN FEED DOG				1
18	12173407	DIFFERENTIAL FEED DOG				1
19	12154852	PRESSER FOOT ASM.				1
20	12163309	PRESSER FOOT		*		1
21	11991205	REAR PRESSER FOOT		*		1
22	11991015	PRESSER FOOT HINGE		*		1
23	12168100	CLOTH GUIDE		*		1
24	B151581600B	PRESSER FOOT ARM SPRING B		*		1
25	11993508	PRESSER FOOT HINGE PIN		*		1
26	11991304	SPRING		*		1
27	11930807	HINGE PIN		*		1
28	12154860	PRESSER FOOT ASM.	FOR EXPORT			1
29	11820800	FINGER GUARD		*		1

MO-3900 SUBCLASSES (10)



## MO-3900 SUBCLASSES (10)

No.	Parts No.	Parts name	Remarks	Level	Cons	Qty
1	R4508J0DD00	THROAT PLATE				1
2	12173001	DIFFERENTIAL FEED DOG				1
3	12155156	PRESSER FOOT ASM.				1
4	12163606	FRONT PRESSER FOOT		*		1
5	12165700	REAR PRESSER FOOT		*		1
6	12157103	PRESSER FOOT HINGE		*		1
7	B1515816000	PRESSER FOOT ARM SPRING		*		1
8	11930807	HINGE PIN		*		1
9	11991304	SPRING		*		1
10	12155164	PRESSER FOOT ASM.	FOR EXPORT			1
11	11820800	FINGER GUARD		*		1
12	MAM0750J0A0	PIPING FOLDER ASM. 9MM	FOR M075			1
13	MAM0760N0A0	PIPING GUIDE ASM. 13MM	FOR M076			1
14	12173001	DIFFERENTIAL FEED DOG				1
15	12155156	PRESSER FOOT ASM.				1
16	12163606	FRONT PRESSER FOOT		*		1
17	12165700	REAR PRESSER FOOT		*		1
18	12157103	PRESSER FOOT HINGE		*		1
19	B1515816000	PRESSER FOOT ARM SPRING		*		1
20	11930807	HINGE PIN		*		1
21	11991304	SPRING		*		1
22	12155164	PRESSER FOOT ASM.	FOR EXPORT			1
23	11820800	FINGER GUARD		*		1
24	MAM0750J0A0	PIPING FOLDER ASM. 9MM	FOR M075			1
25	MAM0760N0A0	PIPING GUIDE ASM. 13MM	FOR M076			1



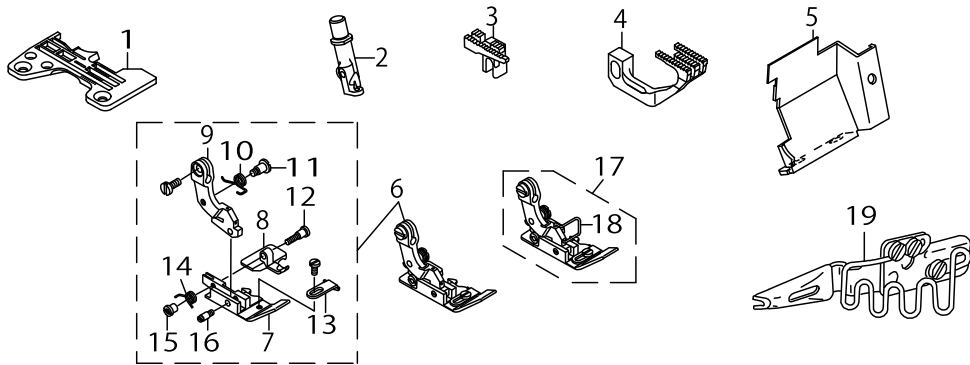
MO-3900 SUBCLASSES (11)

No.	Parts No.	Parts name	Remarks	Level	Cons	Qty
1	R4612J0FD00	THROAT PLATE				1
2	12150306	NEEDLE CLAMP, CHAIN LOOPER				1
3	11884004	MAIN FEED DOG				1
4	12173605	DIFFERENTIAL FEED DOG				1
5	12155255	PRESSER FOOT ASM.				1
6	12163705	FRONT PRESSER FOOT		*		1
7	12165809	REAR PRESSER FOOT		*		1
8	11991015	PRESSER FOOT HINGE		*		1
9	12168100	CLOTH GUIDE		*		1
10	11991304	SPRING		*		1
11	11930807	HINGE PIN		*		1
12	B151581600B	PRESSER FOOT ARM SPRING B		*		1
13	11993508	PRESSER FOOT HINGE PIN		*		1
14	12155263	PRESSER FOOT ASM.	FOR EXPORT			1
15	11820800	FINGER GUARD		*		1
16	MAM0750J0A0	PIPING FOLDER ASM. 9MM	FOR M075			1
17	MAM0760N0A0	PIPING GUIDE ASM. 13MM	FOR M076			1
18	R4508J0DD0B	THROAT PLATE				1
19	12148003	CLOTH WASTE COVER				1
20	11879855	PRESSER FOOT ASM.				1
21	MAT80106N00	HINGED TYPE PRESSER FOOT		*		1
22	11872108	PRESSER FOOT HINGE		*		1
23	11875309	REAR PRESSER FOOT		*		1
24	B1515816000	PRESSER FOOT ARM SPRING		*		1
25	B1530816D00	AUXILIARY STOPPER		*		1
26	B1512816000	SPRING, FOR REAR PRESSER FOOT		*		1
27	B1510816000	HINGE PIN		*		1
28	11879863	PRESSER FOOT ASM.	FOR EXPORT			1
29	11820800	FINGER GUARD		*		1
30	MAN067000A0	TAPE OVEREDGING BINDER ASM.				1

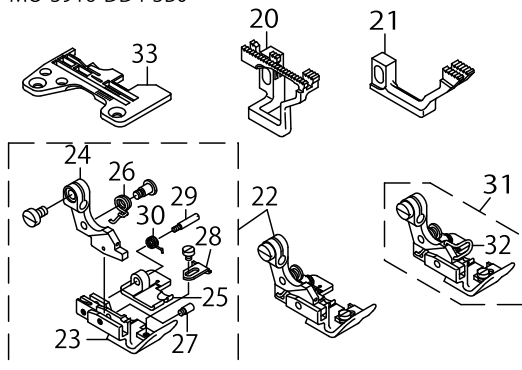


MO-3900 SUBCLASSES (12)

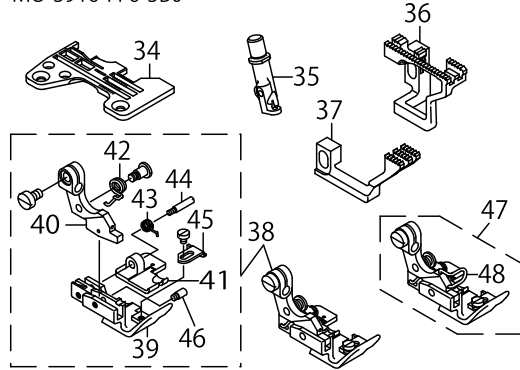
MO-3916-FF6-360/N067D



MO-3916-DD4-3B0



MO-3916-FF6-3B0

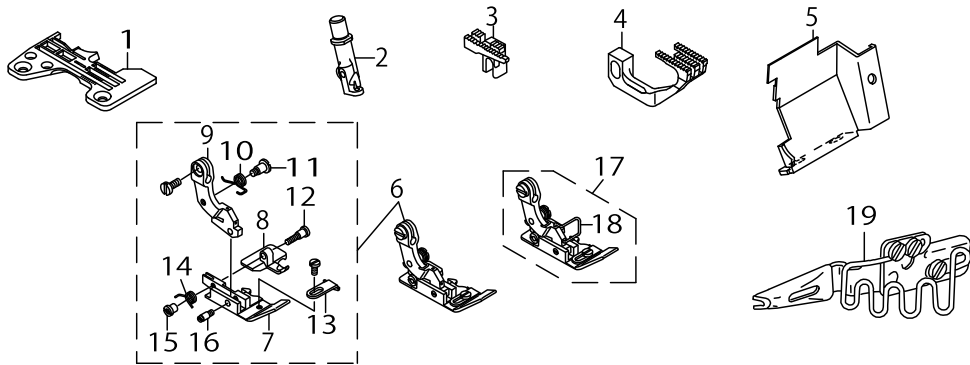


MO-3900 SUBCLASSES (12)

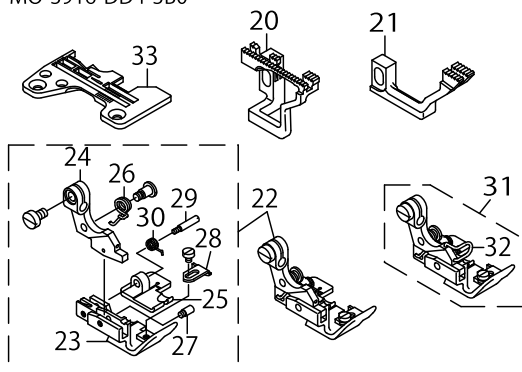
No.	Parts No.	Parts name	Remarks	Level	Cons	Qty
1	R4612J0FD0B	THROAT PLATE				1
2	12150306	NEEDLE CLAMP, CHAIN LOOPER				1
3	11884004	MAIN FEED DOG				1
4	12173308	DIFFERENTIAL FEED DOG				1
5	12148003	CLOTH WASTE COVER				1
6	11985959	PRESSER ASM.				1
7	11985900	PRESSER FOOT		*		1
8	11875507	REAR PRESSER FOOT		*		1
9	11872207	PRESSER FOOT HINGE		*		1
10	B151581600B	PRESSER FOOT ARM SPRING B		*		1
11	B1514816000	SCREW		*		1
12	B1511816000	HINGE SCREW		*		1
13	B1530816D00	AUXILIARY STOPPER		*		1
14	B1512816000	SPRING, FOR REAR PRESSER FOOT		*		1
15	B1513816000	NUT, FOR REAR PRESSER FOOT		*		1
16	B1510816000	HINGE PIN		*		1
17	11985967	PRESSER FOOT ASM.	FOR EXPORT			1
18	11820800	FINGER GUARD		*		1
19	MAN0670D0A0	TAPE ATTACHING BINDER				1
20	12170700	MAIN FEED DOG				1
21	12172904	DIFFERENTIAL FEED DOG				1
22	12155354	PRESSER FOOT ASM.				1
23	12163804	FRONT PRESSER FOOT		*		1
24	12157103	PRESSER FOOT HINGE		*		1
25	12165700	REAR PRESSER FOOT		*		1
26	B1515816000	PRESSER FOOT ARM SPRING		*		1
27	11993508	PRESSER FOOT HINGE PIN		*		1
28	12168100	CLOTH GUIDE		*		1
29	11930807	HINGE PIN		*		1
30	11991304	SPRING		*		1
31	12155362	PRESSER FOOT ASM.	FOR EXPORT			1
32	11820800	FINGER GUARD		*		1
33	R4508J0DD00	THROAT PLATE				1
34	R4612J0FD00	THROAT PLATE				1
35	12150306	NEEDLE CLAMP, CHAIN LOOPER				1
36	12171005	MAIN FEED DOG				1
37	12173407	DIFFERENTIAL FEED DOG				1
38	12155453	PRESSER FOOT ASM.				1
39	12163903	FRONT PRESSER FOOT		*		1
40	11991015	PRESSER FOOT HINGE		*		1
41	12165809	REAR PRESSER FOOT		*		1
42	B151581600B	PRESSER FOOT ARM SPRING B		*		1
43	11991304	SPRING		*		1
44	11930807	HINGE PIN		*		1
45	12168100	CLOTH GUIDE		*		1
46	11993508	PRESSER FOOT HINGE PIN		*		1
47	12155461	PRESSER FOOT ASM.	FOR EXPORT			1

MO-3900 SUBCLASSES (12)

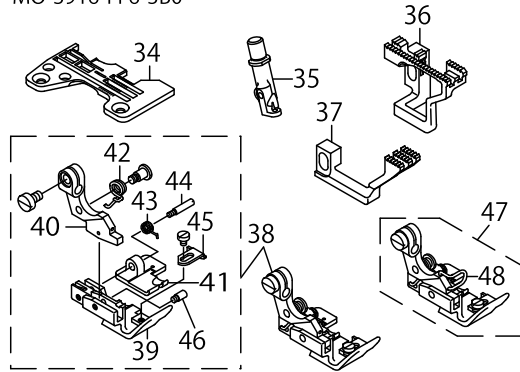
MO-3916-FF6-360/N067D



MO-3916-DD4-3B0



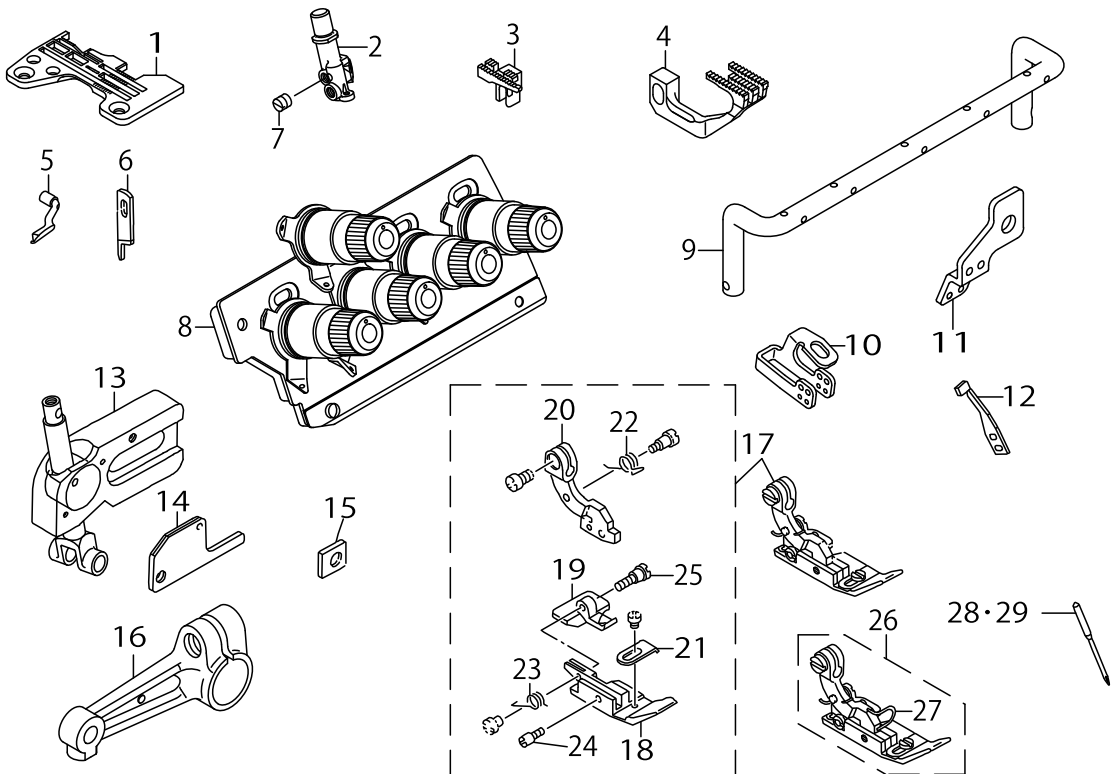
MO-3916-FF6-3B0



MO-3900 SUBCLASSES (12)

No.	Parts No.	Parts name	Remarks	Level	Cons	Qty
48	11820800	FINGER GUARD		*		1

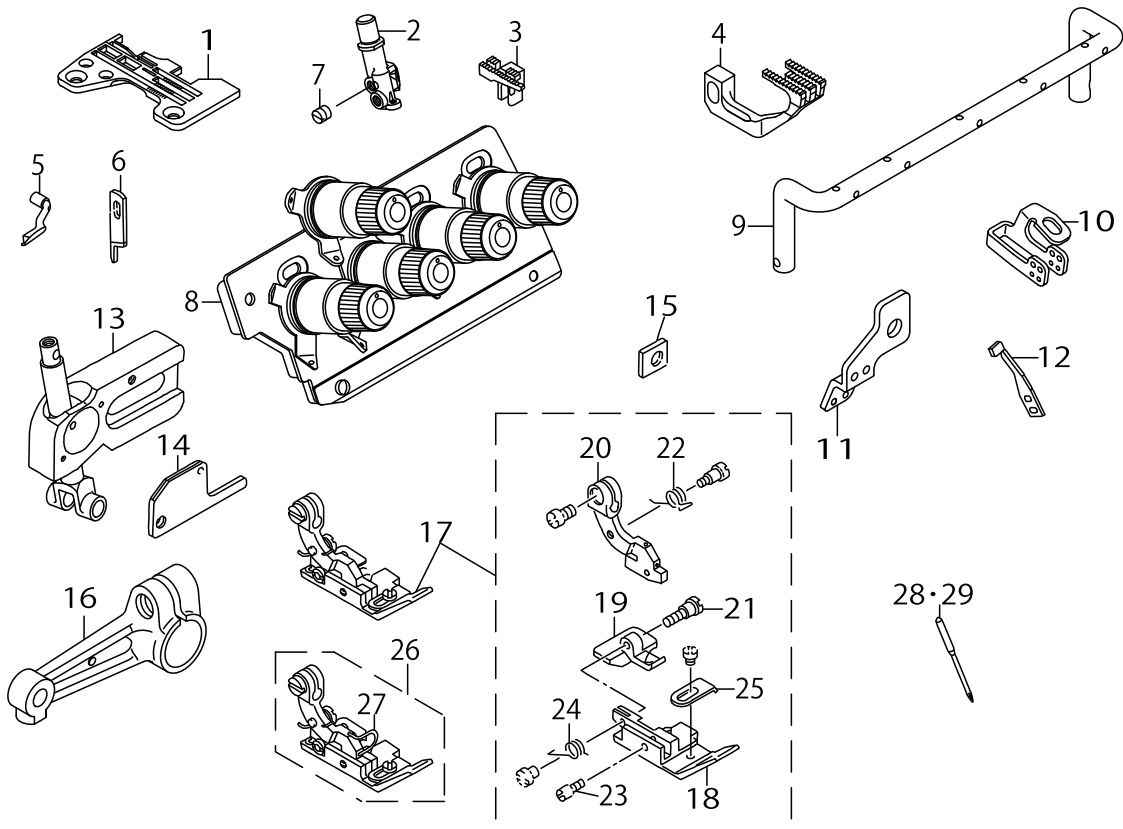
MO-3943-DBD6-307



MO-3900 SUBCLASSES (13)

No.	Parts No.	Parts name	Remarks	Level	Cons	Qty
1	R4608J0DE01	THROAT PLATE				1
2	12150504	CHAIN LOOPER NEEDLE CLAMP				1
3	11882305	MAIN FEED DOG				1
4	12173308	DIFFERENTIAL FEED DOG				1
5	12176004	UPPER LOOPER				1
6	11845609	KNIFE	FOR DOMESTIC USE			1
7	SS8080310TP	SCREW 1/8-44 L=2.8				1
8	12180964	THREAD GUIDE PLATE ASM.				1
9	12128401	THREAD GUIDE				1
10	12146403	NEEDLE THREAD GUIDE, 3-NEEDLE				1
11	12111902	TAKE-UP LEVER GUIDE, 2-NEEDLE				1
12	11999406	NEEDLE HOLDER				1
13	12123154	UPPER LOOPER GUIDE ASM., B				1
14	B251570400B	UPPER LOOPER GUIDE COVER B				1
15	11831807	GAUGE				1
16	12122800	UPPER LOOPER ARM B				1
17	11877958	PRESSER FOOT ASM.				1
18	B1507843D00	PRESSER FOOT		*		1
19	11875408	REAR PRESSER FOOT		*		1
20	11872108	PRESSER FOOT HINGE		*		1
21	B1530816D00	AUXILIARY STOPPER		*		1
22	B1515816000	PRESSER FOOT ARM SPRING		*		1
23	B1512816000	SPRING, FOR REAR PRESSER FOOT		*		1
24	B1510816000	HINGE PIN		*		1
25	B1511816000	HINGE SCREW		*		1
26	11877966	PRESSER FOOT ASM.	FOR EXPORT			1
27	11820800	FINGER GUARD		*		1
28	MDC270B1100	NEEDLE DCX27 #11				1
29	MC033600750	NEEDLE B-27 NM75	FOR JE			1

MO-3943-FBD6-307

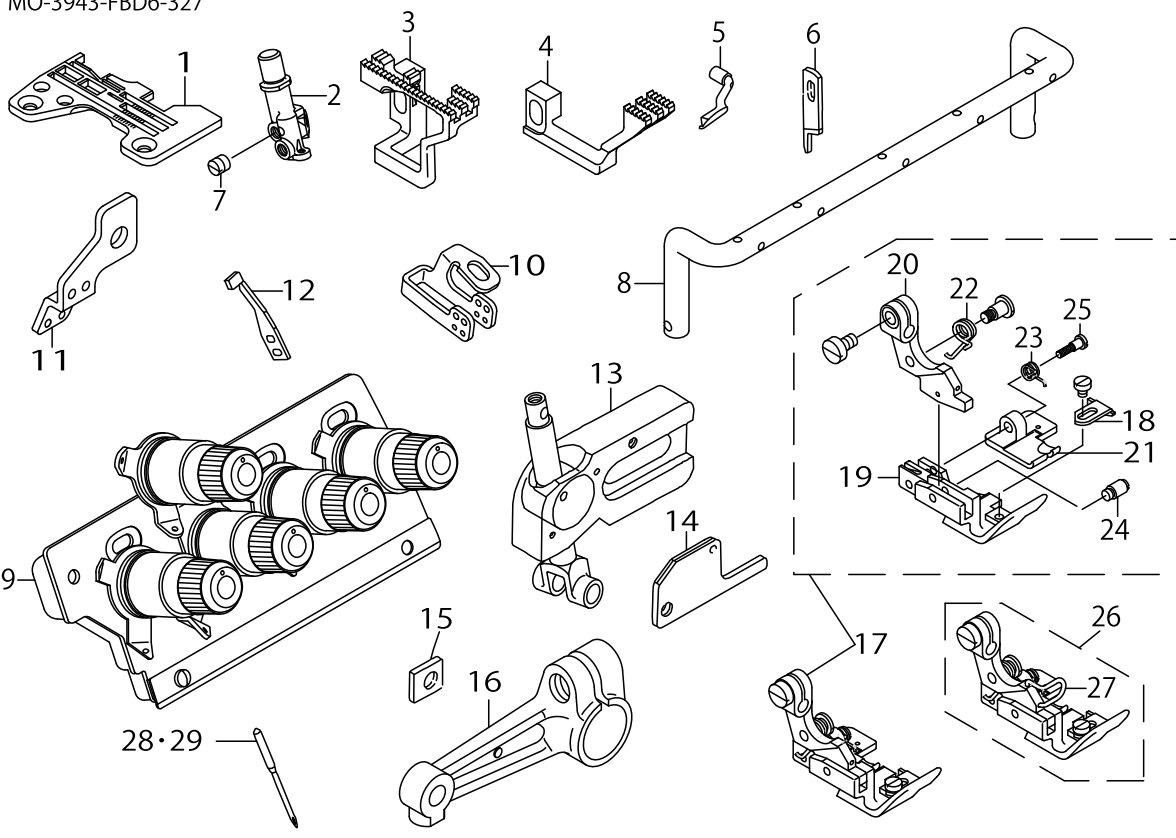


## MO-3900 SUBCLASSES (14)

No.	Parts No.	Parts name	Remarks	Level	Cons	Qty
1	R4612J0DE01	THROAT PLATE				1
2	12150603	CHAIN LOOPER NEEDLE CLAMP				1
3	11884004	MAIN FEED DOG				1
4	12173308	DIFFERENTIAL FEED DOG				1
5	12176004	UPPER LOOPER				1
6	11845609	KNIFE	FOR DOMESTIC USE			1
7	SS8080310TP	SCREW 1/8-44 L=2.8				1
8	12180964	THREAD GUIDE PLATE ASM.				1
9	12128401	THREAD GUIDE				1
10	12146403	NEEDLE THREAD GUIDE, 3-NEEDLE				1
11	12111902	TAKE-UP LEVER GUIDE, 2-NEEDLE				1
12	11999406	NEEDLE HOLDER				1
13	12123154	UPPER LOOPER GUIDE ASM., B				1
14	B251570400B	UPPER LOOPER GUIDE COVER B				1
15	11831807	GAUGE				1
16	12122800	UPPER LOOPER ARM B				1
17	11878055	PRESSER FOOT ASM.				1
18	B1507843F00	PRESSER FOOT		*		1
19	11875507	REAR PRESSER FOOT		*		1
20	11872207	PRESSER FOOT HINGE		*		1
21	B1511816000	HINGE SCREW		*		1
22	B151581600B	PRESSER FOOT ARM SPRING B		*		1
23	B1510816000	HINGE PIN		*		1
24	B1512816000	SPRING, FOR REAR PRESSER FOOT		*		1
25	B1530816D00	AUXILIARY STOPPER		*		1
26	11878063	PRESSER FOOT ASM.	FOR EXPORT			1
27	11820800	FINGER GUARD		*		1
28	MDC270B1100	NEEDLE DCX27 #11				1
29	MC033600750	NEEDLE B-27 NM75	FOR JE			1



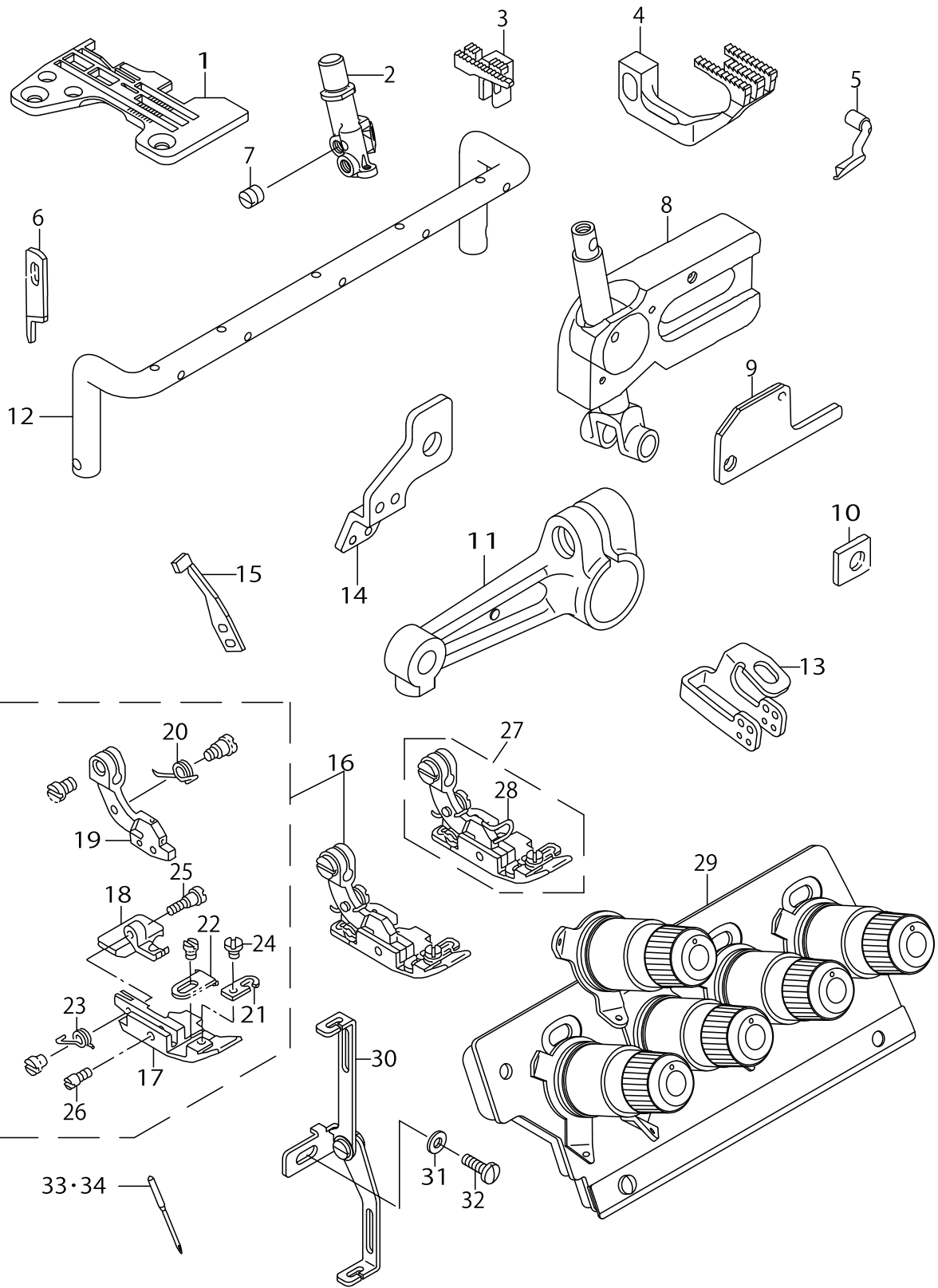
MO-3943-FBD6-327



## MO-3900 SUBCLASSES (15)

No.	Parts No.	Parts name	Remarks	Level	Cons	Qty
1	R4612J0DE01	THROAT PLATE				1
2	12150603	CHAIN LOOPER NEEDLE CLAMP				1
3	12170908	MAIN FEED DOG				1
4	12173407	DIFFERENTIAL FEED DOG				1
5	12176004	UPPER LOOPER				1
6	11845609	KNIFE	FOR DOMESTIC USE			1
7	SS8080310TP	SCREW 1/8-44 L=2.8				1
8	12128401	THREAD GUIDE				1
9	12180964	THREAD GUIDE PLATE ASM.				1
10	12146403	NEEDLE THREAD GUIDE, 3-NEEDLE				1
11	12111902	TAKE-UP LEVER GUIDE, 2-NEEDLE				1
12	11999406	NEEDLE HOLDER				1
13	12123154	UPPER LOOPER GUIDE ASM., B				1
14	B251570400B	UPPER LOOPER GUIDE COVER B				1
15	11831807	GAUGE				1
16	12122800	UPPER LOOPER ARM B				1
17	12155057	PRESSER FOOT ASM.				1
18	12168100	CLOTH GUIDE		*		1
19	12163507	FRONT PRESSER FOOT		*		1
20	11991015	PRESSER FOOT HINGE		*		1
21	11991205	REAR PRESSER FOOT		*		1
22	B151581600B	PRESSER FOOT ARM SPRING B		*		1
23	11991304	SPRING		*		1
24	11993508	PRESSER FOOT HINGE PIN		*		1
25	11930807	HINGE PIN		*		1
26	12155065	PRESSER FOOT ASM.	FOR EXPORT			1
27	11820800	FINGER GUARD		*		1
28	MDC270B1100	NEEDLE DCX27 #11				1
29	MC033600750	NEEDLE B-27 NM75	FOR JE			1

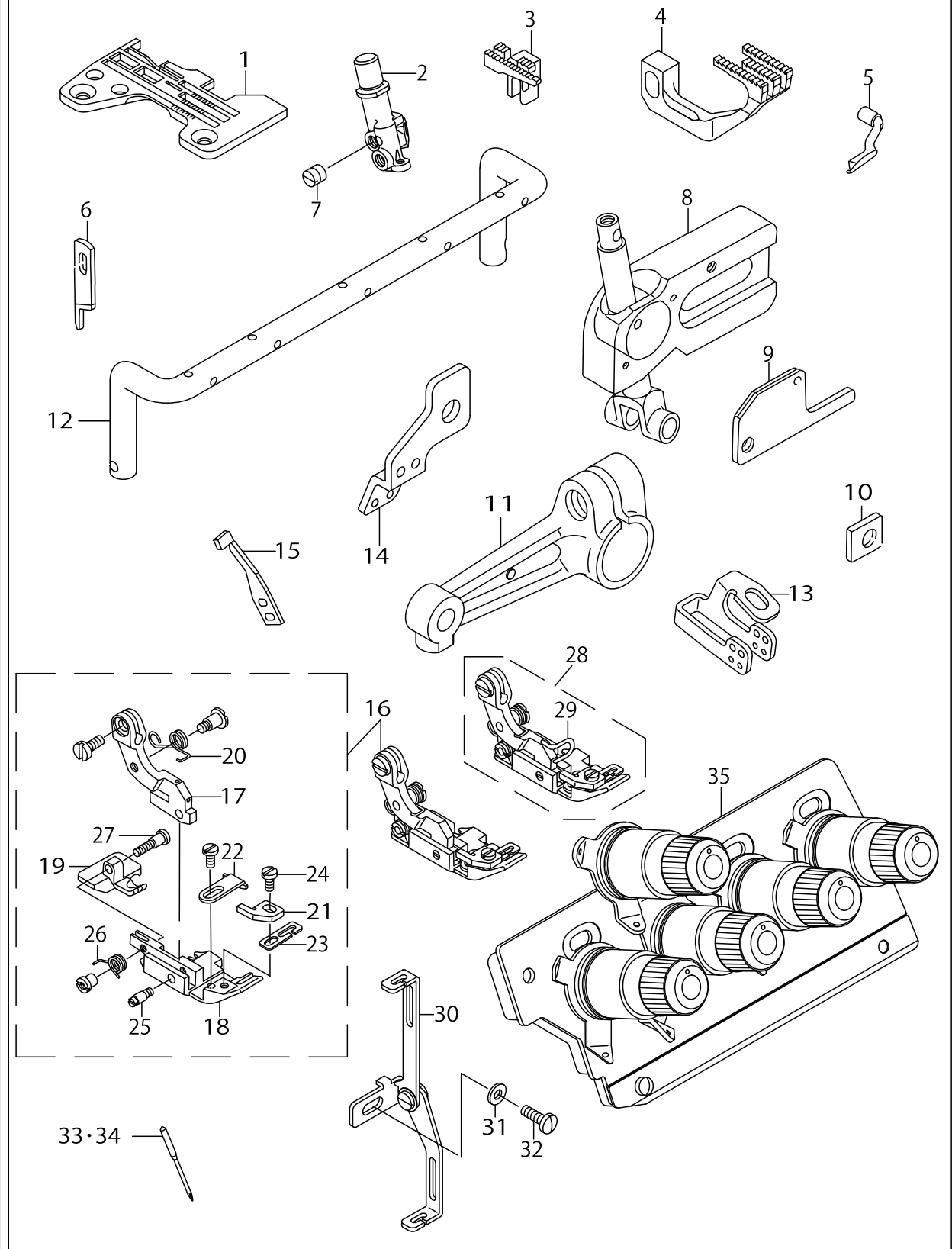
MO-3943-DBD6-347/G06/Q141



## MO-3900 SUBCLASSES (16)

No.	Parts No.	Parts name	Remarks	Level	Cons	Qty
1	R4608J0DE01	THROAT PLATE				1
2	12150504	CHAIN LOOPER NEEDLE CLAMP				1
3	11882305	MAIN FEED DOG				1
4	12173308	DIFFERENTIAL FEED DOG				1
5	12176004	UPPER LOOPER				1
6	11845609	KNIFE	FOR DOMESTIC USE			1
7	SS8080310TP	SCREW 1/8-44 L=2.8				1
8	12123154	UPPER LOOPER GUIDE ASM., B				1
9	B251570400B	UPPER LOOPER GUIDE COVER B				1
10	11831807	GAUGE				1
11	12122800	UPPER LOOPER ARM B				1
12	12128401	THREAD GUIDE				1
13	12146403	NEEDLE THREAD GUIDE, 3-NEEDLE				1
14	12111902	TAKE-UP LEVER GUIDE, 2-NEEDLE				1
15	11999406	NEEDLE HOLDER				1
16	11881158	PRESSER FOOT ASM.				1
17	11873403	PRESSER FOOT		*		1
18	11875408	REAR PRESSER FOOT		*		1
19	11872108	PRESSER FOOT HINGE		*		1
20	B1515816000	PRESSER FOOT ARM SPRING		*		1
21	B1532814000	PRESSER FOOT HINGE		*		1
22	B1530816D00	AUXILIARY STOPPER		*		1
23	B1512816000	SPRING, FOR REAR PRESSER FOOT		*		1
24	SS6060440TP	SCREW 3/32-56 L=3.5		*		1
25	B1511816000	HINGE SCREW		*		1
26	B1510816000	HINGE PIN		*		1
27	11881166	PRESSER FOOT ASM.	FOR EXPORT			1
28	11820800	FINGER GUARD		*		1
29	12180964	THREAD GUIDE PLATE ASM.				1
30	MAQ141000A0	TAPE GUIDE ASM.				1
31	WP0371016SD	WASHER 3.7X8X1				1
32	SS7091110TP	SCREW 9/64-40 L=10.5				1
33	MDC270B1100	NEEDLE DCX27 #11				1
34	MC033600750	NEEDLE B-27 NM75	FOR JE			1

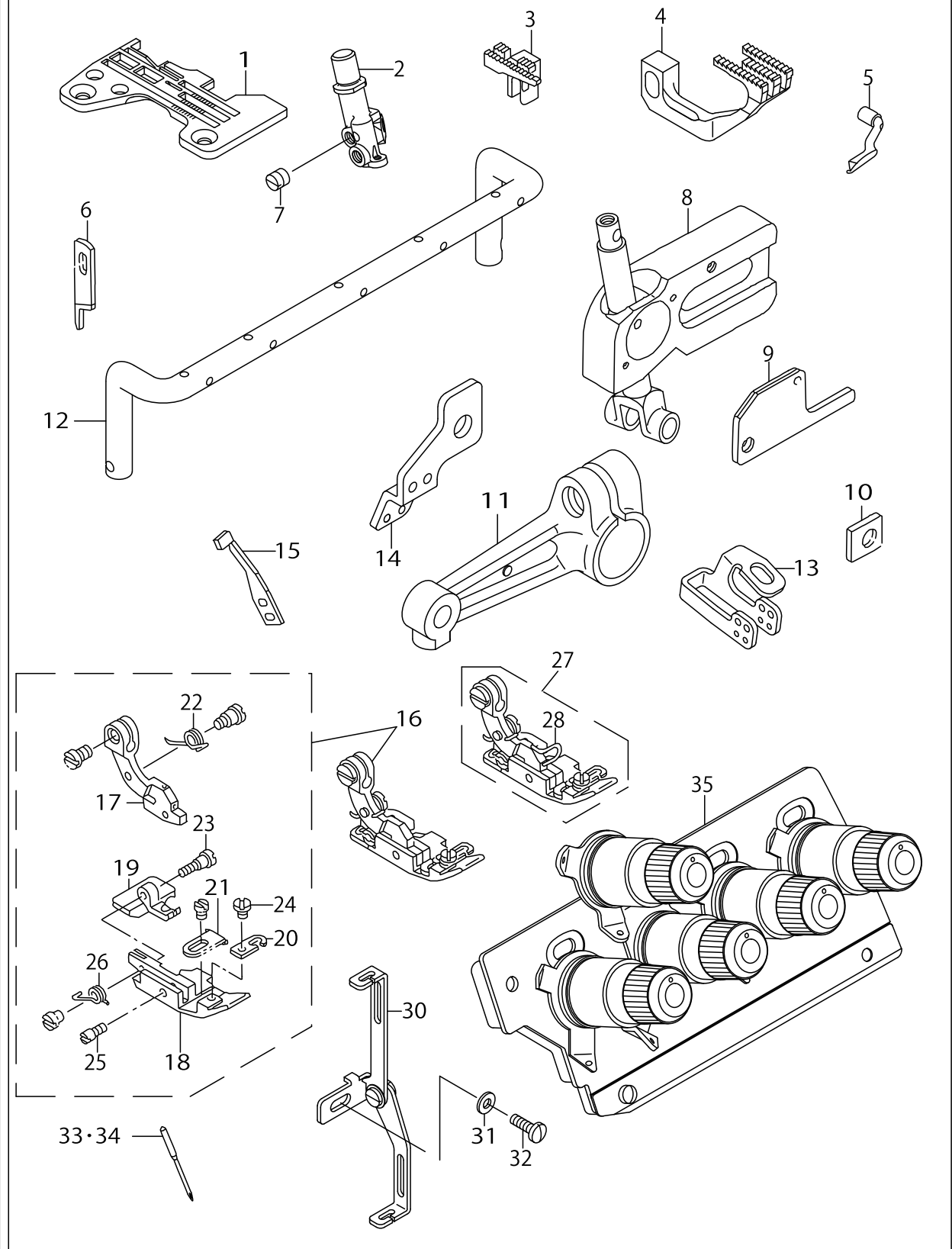
MO-3943-DBD6-347/G33/Q141



## MO-3900 SUBCLASSES (17)

No.	Parts No.	Parts name	Remarks	Level	Cons	Qty
1	R4608J0DE01	THROAT PLATE				1
2	12150504	CHAIN LOOPER NEEDLE CLAMP				1
3	11882305	MAIN FEED DOG				1
4	12173308	DIFFERENTIAL FEED DOG				1
5	12176004	UPPER LOOPER				1
6	11845807	UPPER KNIFE	FOR DOMESTIC USE			1
7	SS8080310TP	SCREW 1/8-44 L=2.8				1
8	12123154	UPPER LOOPER GUIDE ASM., B				1
9	B251570400B	UPPER LOOPER GUIDE COVER B				1
10	11831807	GAUGE				1
11	12122800	UPPER LOOPER ARM B				1
12	12128401	THREAD GUIDE				1
13	12146403	NEEDLE THREAD GUIDE, 3-NEEDLE				1
14	12111902	TAKE-UP LEVER GUIDE, 2-NEEDLE				1
15	11999406	NEEDLE HOLDER				1
16	11995354	PRESSER ASM.				1
17	11995503	PRESSER FOOT HINGE		*		1
18	11995305	PRESSER FOOT		*		1
19	11995404	REAR PRESSER FOOT		*		1
20	11995701	PRESSER ARM SPRING		*		1
21	11995602	PRESSER FOOT HINGE STOPPER		*		1
22	B1530816D00	AUXILIARY STOPPER		*		1
23	B1532814000	PRESSER FOOT HINGE		*		1
24	SS6060440TP	SCREW 3/32-56 L=3.5		*		1
25	B1510816000	HINGE PIN		*		1
26	B1512816000	SPRING, FOR REAR PRESSER FOOT		*		1
27	B1511816000	HINGE SCREW		*		1
28	11995362	PRESSER ASM.	FOR EXPORT			1
29	11820800	FINGER GUARD		*		1
30	MAQ141000A0	TAPE GUIDE ASM.				1
31	WP0371016SD	WASHER 3.7X8X1				1
32	SS7091110TP	SCREW 9/64-40 L=10.5				1
33	MDC270B1100	NEEDLE DCX27 #11				1
34	MC033600750	NEEDLE B-27 NM75	FOR JE			1
35	12180964	THREAD GUIDE PLATE ASM.				1

MO-3943-FBD6-347/G07/Q141



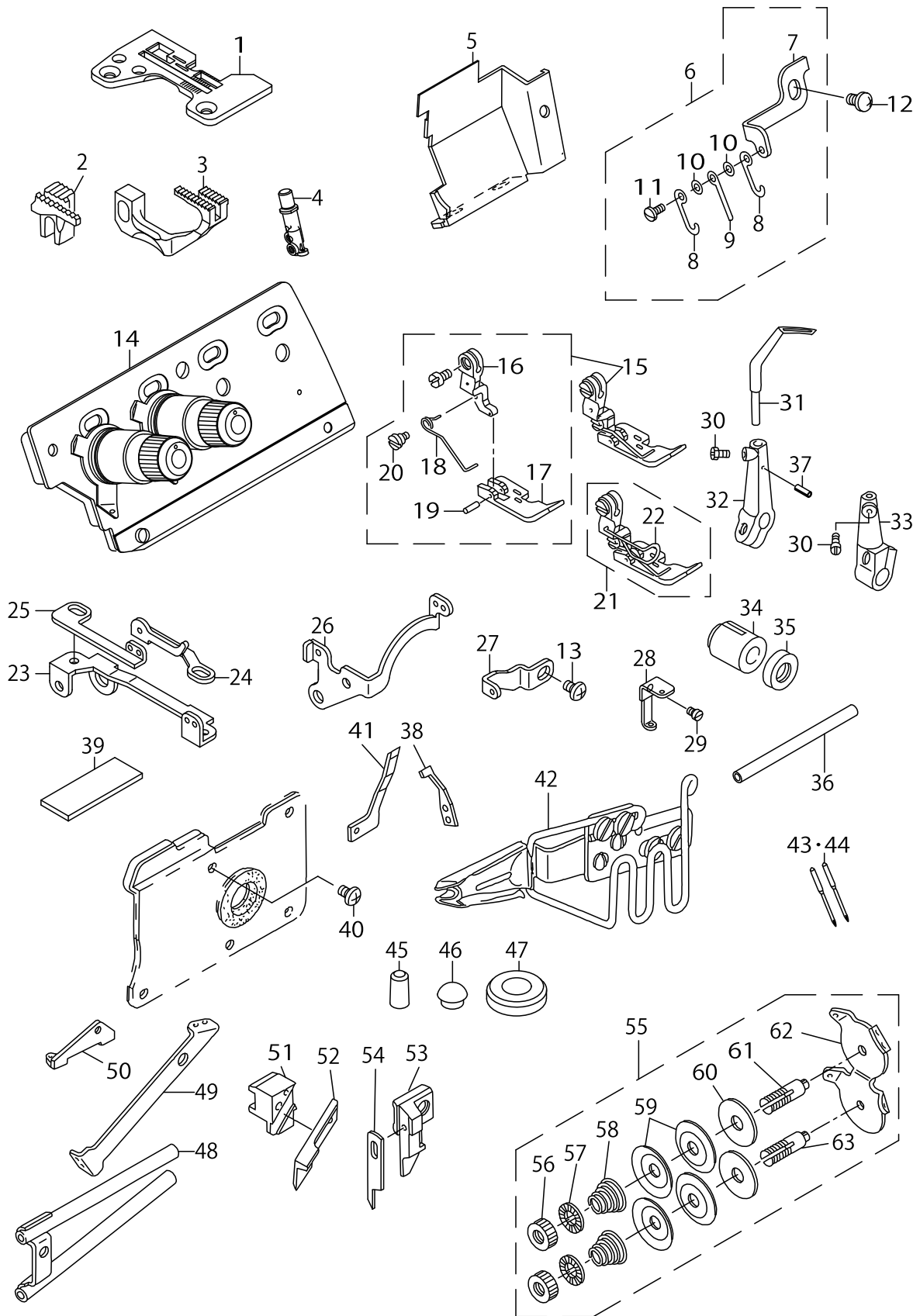
MO-3900 SUBCLASSES (18)

No.	Parts No.	Parts name	Remarks	Level	Cons	Qty
1	R4612J0DE01	THROAT PLATE				1
2	12150603	CHAIN LOOPER NEEDLE CLAMP				1
3	11884004	MAIN FEED DOG				1
4	12173308	DIFFERENTIAL FEED DOG				1
5	12176004	UPPER LOOPER				1
6	11845609	KNIFE	FOR DOMESTIC USE			1
7	SS8080310TP	SCREW 1/8-44 L=2.8				1
8	12123154	UPPER LOOPER GUIDE ASM., B				1
9	B251570400B	UPPER LOOPER GUIDE COVER B				1
10	11831807	GAUGE				1
11	12122800	UPPER LOOPER ARM B				1
12	12128401	THREAD GUIDE				1
13	12146403	NEEDLE THREAD GUIDE, 3-NEEDLE				1
14	12111902	TAKE-UP LEVER GUIDE, 2-NEEDLE				1
15	11999406	NEEDLE HOLDER				1
16	11881257	PRESSER FOOT ASM.				1
17	11872207	PRESSER FOOT HINGE		*		1
18	11873502	PRESSER FOOT		*		1
19	11875507	REAR PRESSER FOOT		*		1
20	B1532814000	PRESSER FOOT HINGE		*		1
21	B1530816D00	AUXILIARY STOPPER		*		1
22	B151581600B	PRESSER FOOT ARM SPRING B		*		1
23	B1511816000	HINGE SCREW		*		1
24	SS6060440TP	SCREW 3/32-56 L=3.5		*		1
25	B1510816000	HINGE PIN		*		1
26	B1512816000	SPRING, FOR REAR PRESSER FOOT		*		1
27	11881265	PRESSER FOOT ASM.	FOR EXPORT			1
28	11820800	FINGER GUARD		*		1
29	12180964	THREAD GUIDE PLATE ASM.				1
30	MAQ141000A0	TAPE GUIDE ASM.				1
31	WP0371016SD	WASHER 3.7X8X1				1
32	SS7091110TP	SCREW 9/64-40 L=10.5				1
33	MDC270B1100	NEEDLE DCX27 #11				1
34	MC033600750	NEEDLE B-27 NM75	FOR JE			1



MO-3900 SUBCLASSES (19)

MO-3945-DD4-360/N077

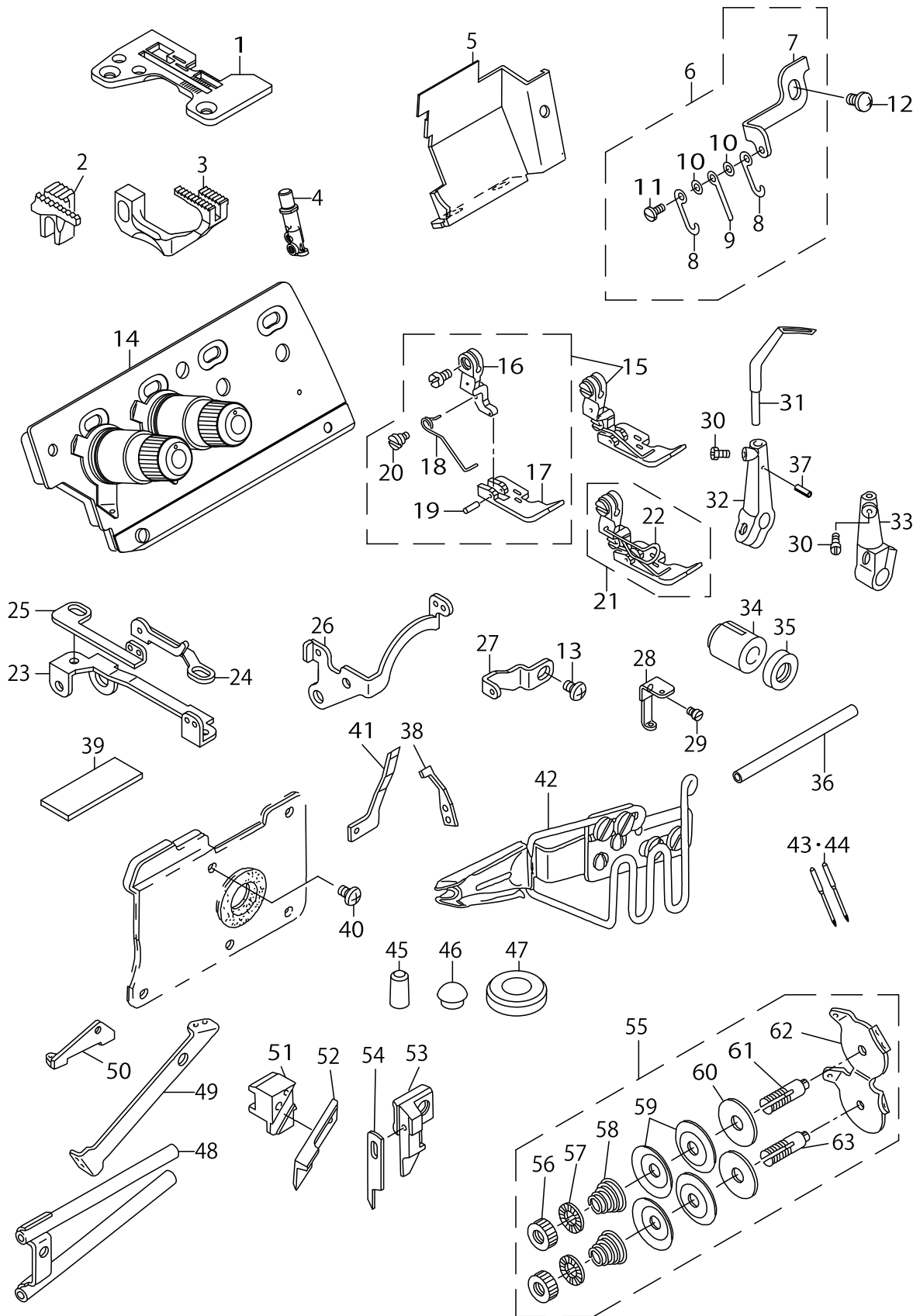


MO-3900 SUBCLASSES (19)

No.	Parts No.	Parts name	Remarks	Level	Cons	Qty
1	R4808J0DE00	THROAT PLATE				1
2	11884202	MAIN FEED DOG				1
3	12173803	DIFFERENTIAL FEED DOG				1
4	12150207	CHAIN LOOPER NEEDLE CLAMP				1
5	12148003	CLOTH WASTE COVER				1
6	12145652	CHAIN LOOPER THREAD TAKE-UP				1
7	12145702	THREAD TAKE-UP FITTING BASE		*		1
8	B1427816000	NEEDLE THREAD TAKE-UP LEVER A		*		2
9	B1428816000	NEEDLE THREAD TAKE-UP LEVER B		*		1
10	WP0250516SD	WASHER 2.5X6X0.5		*		2
11	SS7060510SP	SCREW 3/32-56 L=4.8		*		1
12	SM4040655SP	SCREW				1
13	SM4040655SP	SCREW				1
14	12181061	THREAD GUIDE PLATE ASM.				1
15	11881653	PRESSER FOOT ASM.				1
16	11872405	PRESSER FOOT HINGE		*		1
17	11873601	PRESSER FOOT		*		1
18	11892106	PRESSER SPRING		*		1
19	B1511357000	PIN		*		1
20	SD0370401SP	HINGE SCREW D= 3.70 H= 4.0		*		1
21	11881661	PRESSER FOOT ASM.	FOR EXPORT			1
22	11894706	FINGER GUARD		*		1
23	12146007	THREAD GUIDE BASE				1
24	12146106	THREAD GUIDE A				1
25	12146205	THREAD GUIDE B				1
26	12146304	THREAD GUIDE				1
27	12145801	CHAIN LOOPER THREAD GUIDE				1
28	12145900	NEEDLE THREAD GUIDE				1
29	SS6060340SP	SCREW 3/32-56 L= 2.5				1
30	SS9090610TP	SCREW 9/64-40 L=5.5				2
31	11999604	DOUBLE-RING LOOPER				2
32	B211784500A	CHAIN LOOPER SUPPORT ARM A				1
33	B211784500B	CHAIN LOOPER SUPPORT ARM B				1
34	B2110845000	BUSHING, FRONT				1
35	B2121845000	OIL SEAL				1
36	B2109816000	CHAIN LOOPER SHAFT				1
37	PS0200062KH	SPRING PIN 2X6				1
38	11891009	NEEDLE GUARD				1
39	B2528845000	CHIP GUARD PLATE				1
40	SM4040655SP	SCREW				1
41	11890902	NEEDLE GUARD				1
42	MAN0770F0A0	TOP CENTER PLAIT BINDER				1
43	MDC270B1400	NEEDLE DCX27 #14				2
44	MC033600900	NEEDLE B-27 NM90				2
45	TA0290601M0	PLUG D=2.9X3.2 L=6				1
46	TA0750404R0	PLUG D=7.5 L=3.5				1
47	TA2000502R0	RUBBER PLUG				1

MO-3900 SUBCLASSES (19)

MO-3945-DD4-360/N077

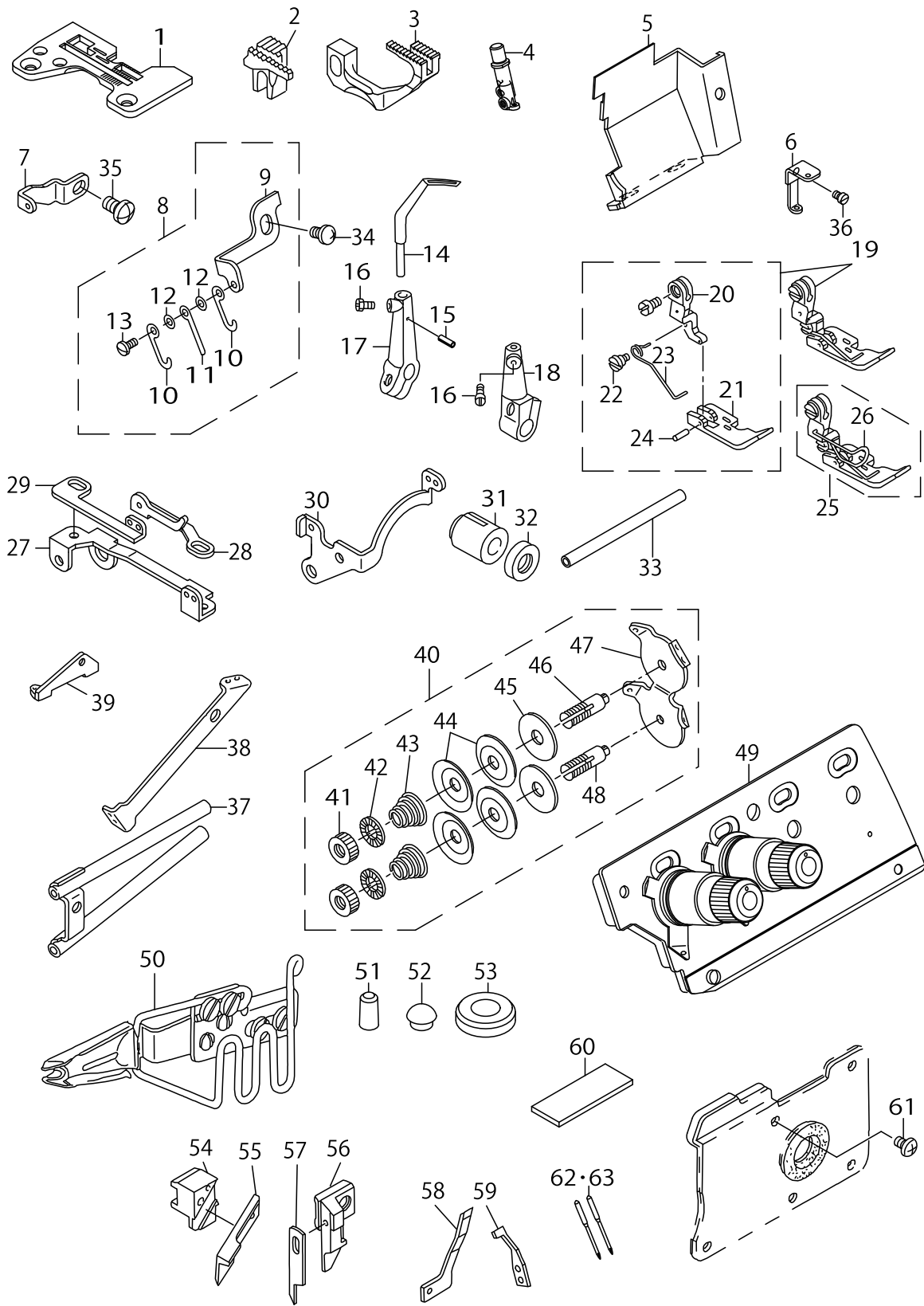


MO-3900 SUBCLASSES (19)

No.	Parts No.	Parts name	Remarks	Level	Cons	Qty
48	11893054	LOOPER THREAD GUIDE TUBE ASM.				1
49	11893104	LOOPER THREAD GUIDE TUBE GUIDE				1
50	B240284500B	LOOPER THREAD GUIDE TUBE GUIDE	FOR DOMESTIC USE			1
51	11896305	UPPER KNIFE SUPPORT	FOR EXPORT			1
52	11845807	UPPER KNIFE	FOR EXPORT			1
53	11896206	UPPER KNIFE SUPPORT	FOR JE			1
54	11845609	KNIFE	FOR JE			1
55	11892957	TENSION CONTROLLER ASM.				1
56	B2314019000	TENSION POST NUT		*		2
57	B3120125000	ROTATING STOPPER		*		2
58	B2017372000	TENSION SPRING NO.1		*		2
59	B3126012000	THREAD TENSION DISK		*		4
60	B3120352000	THREAD TENSION SPRING FELT		*		2
61	11550803	THREAD TENSION POST		*		1
62	11892809	THREAD GUIDE		*		1
63	11892908	THREAD TENSION POST		*		1

MO-3900 SUBCLASSES (20)

MO-3945-ED4-360/N077

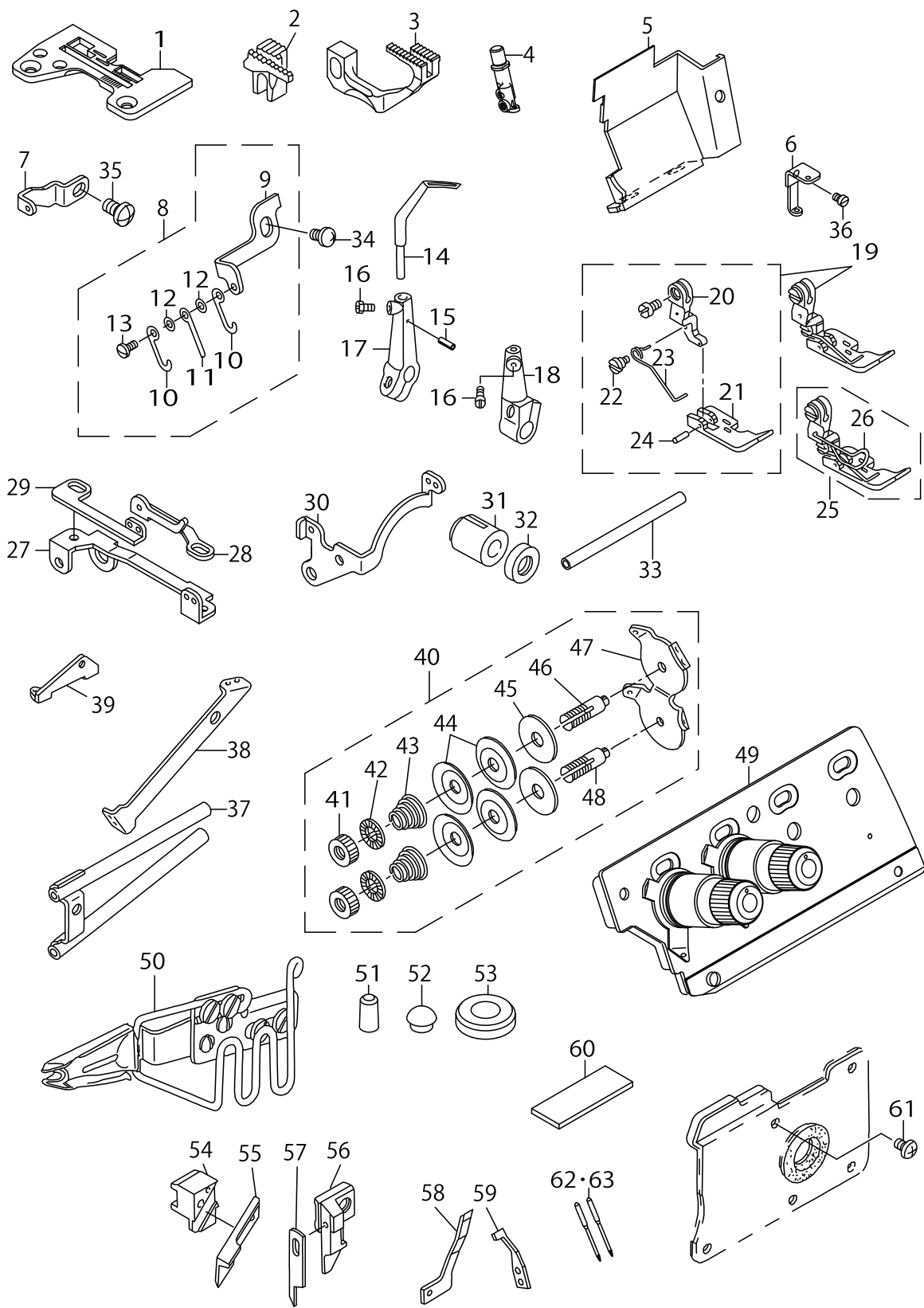


MO-3900 SUBCLASSES (20)

No.	Parts No.	Parts name	Remarks	Level	Cons	Qty
1	R4810J0DE00	THROAT PLATE				1
2	11884202	MAIN FEED DOG				1
3	12173803	DIFFERENTIAL FEED DOG				1
4	12150207	CHAIN LOOPER NEEDLE CLAMP				1
5	12148003	CLOTH WASTE COVER				1
6	12145900	NEEDLE THREAD GUIDE				1
7	12145801	CHAIN LOOPER THREAD GUIDE				1
8	12145652	CHAIN LOOPER THREAD TAKE-UP				1
9	12145702	THREAD TAKE-UP FITTING BASE		*		1
10	B1427816000	NEEDLE THREAD TAKE-UP LEVER A		*		2
11	B1428816000	NEEDLE THREAD TAKE-UP LEVER B		*		1
12	WP0250516SD	WASHER 2.5X6X0.5		*		2
13	SS7060510SP	SCREW 3/32-56 L=4.8		*		1
14	11999604	DOUBLE-RING LOOPER				2
15	PS0200062KH	SPRING PIN 2X6				1
16	SS9090610TP	SCREW 9/64-40 L=5.5				2
17	B211784500A	CHAIN LOOPER SUPPORT ARM A				1
18	B211784500B	CHAIN LOOPER SUPPORT ARM B				1
19	11881653	PRESSER FOOT ASM.				1
20	11872405	PRESSER FOOT HINGE		*		1
21	11873601	PRESSER FOOT		*		1
22	SD0370401SP	HINGE SCREW D= 3.70 H= 4.0		*		1
23	11892106	PRESSER SPRING		*		1
24	B1511357000	PIN		*		1
25	11881661	PRESSER FOOT ASM.	FOR EXPORT			1
26	11894706	FINGER GUARD		*		1
27	12146007	THREAD GUIDE BASE				1
28	12146106	THREAD GUIDE A				1
29	12146205	THREAD GUIDE B				1
30	12146304	THREAD GUIDE				1
31	B2110845000	BUSHING, FRONT				1
32	B2121845000	OIL SEAL				1
33	B2109816000	CHAIN LOOPER SHAFT				1
34	SM4040655SP	SCREW				1
35	SM4040655SP	SCREW				1
36	SS6060340SP	SCREW 3/32-56 L= 2.5				1
37	11893054	LOOPER THREAD GUIDE TUBE ASM.				1
38	11893104	LOOPER THREAD GUIDE TUBE GUIDE				1
39	B240284500B	LOOPER THREAD GUIDE TUBE GUIDE	FOR T039,T040			1
40	11892957	TENSION CONTROLLER ASM.				1
41	B2314019000	TENSION POST NUT		*		2
42	B3120125000	ROTATING STOPPER		*		2
43	B2017372000	TENSION SPRING NO.1		*		2
44	B3126012000	THREAD TENSION DISK		*		4
45	B3120352000	THREAD TENSION SPRING FELT		*		2
46	11550803	THREAD TENSION POST		*		1
47	11892809	THREAD GUIDE		*		1

MO-3900 SUBCLASSES (20)

MO-3945-ED4-360/N077

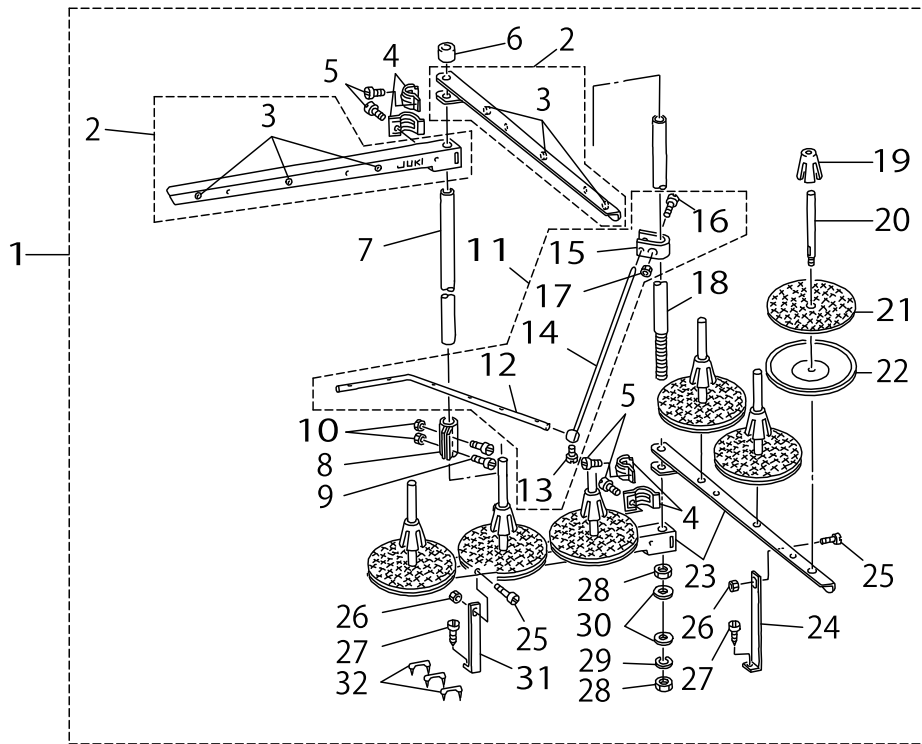


MO-3900 SUBCLASSES (20)

No.	Parts No.	Parts name	Remarks	Level	Cons	Qty
48	11892908	THREAD TENSION POST		*		1
49	12181061	THREAD GUIDE PLATE ASM.				1
50	MAN0770F0A0	TOP CENTER PLAIT BINDER				1
51	TA0290601M0	PLUG D=2.9X3.2 L=6				1
52	TA0750404R0	PLUG D=7.5 L=3.5				1
53	TA2000502R0	RUBBER PLUG				1
54	11896305	UPPER KNIFE SUPPORT	FOR EXPORT			1
55	11845807	UPPER KNIFE	FOR EXPORT			1
56	11896206	UPPER KNIFE SUPPORT	FOR DOMESTIC USE			1
57	11845609	KNIFE	FOR DOMESTIC USE			1
58	11890902	NEEDLE GUARD				1
59	11891009	NEEDLE GUARD				1
60	B2528845000	CHIP GUARD PLATE				1
61	SM4040655SP	SCREW				1
62	MDC270B1400	NEEDLE DCX27 #14				2
63	MC033600900	NEEDLE B-27 NM90	FOR JE			2



# THREAD STAND COMPONENTS



THREAD STAND COMPONENTS

No.	Parts No.	Parts name	Remarks	Level	Cons	Qty
1	11957958	THREAD STAND ASM.				1
2	11969565	SPOOL REST ARM A ASM.		*		2
3	B3319704L00	THREAD GUIDE		*		6
4	B3318704L00A	THREAD GUIDE ARM JOINT		*		4
5	SM6061610SC	SCREW M6 L=16		*		4
6	B3311704000	SPOOL REST ROD CAP		*		1
7	11185204	SPOOL REST ROD,UPPER		*		1
8	B3305704000A	SPOOL REST ROD JOINT		*		1
9	SM4051405SE	SCREW M5 L=14		*		2
10	NM6050001SE	NUT M5		*		2
11	B33098430A0	THREAD GUIDE ARM ASM.		*		1
12	B3311843000	LOWER THREAD GUIDE		*		1
13	SS7110540SP	SCREW 11/64-40 L=5		*		1
14	B3309704000	THREAD GUIDE ARM		*		1
15	B3304704000A	THREAD GUIDE ARM HOLDER		*		1
16	SM6053000SE	SCREW M5X0.8 L=30		*		1
17	NM6050001SE	NUT M5		*		1
18	11185105	SPOOL REST ROD,LOWER		*		1
19	11185501	SPOOL RETAINER		*		6
20	B3320704L00A	SPOOL PIN		*		6
21	B3311012000	SPOOL REST CUSHION		*		6
22	11966504	SPOOL REST		*		6
23	B3317704000	NUT		*		1
24	NM6050001SE	NUT M5		*		6
25	11969508	SPOOL REST ARM A		*		2
26	B3321704L0B	SPOOL REST ARM SUPPORT, B		*		1
27	SM4061201SE	SCREW M6 L=12		*		2
28	NM6060001SE	NUT M6		*		2
29	SK3382001SE	SCREW D=3.8 L=20		*		2
30	WP1612616SE	WASHER 16X30X2.6		*		2
31	B3321704L00	SPOOL REST ARM SUPPORT, A		*		1
32	MAO11532000	CORD STAPLE		*		3

## HOW TO MAKE USE OF THIS PARTS LIST

1.As to "#01" and "#02" refer to the "Note" given at the bottom of the respective pages.

2.Codes on the "Qty" column

- Each numeral indicates the number of parts required.
- "0.1" and "2.5" indicate the length (in meters) of the respective parts.

3.Parentheses mean that the corresponding part is a subpart that constructs an assembly part.

4.Dotted lines on the Figures indicate assembly parts.

1. リストページの# 0 1、# 0 2の印は、ページ下の"注記"の説明を参照下さい。
2. 数量欄の数字は、個数を表し、0. 1、2. 5等の数値は、長さ（単位メートル）を表します。
3. 数量欄の（ ）は、組部品を構成している子部品であることを意味します。
4. イラストページの-----枠は、組構成であることを意味します。

NUMERICAL INDEX OF PARTS

PART NO	PAGE	REF NO.	PART NO	PAGE	REF NO.	PART NO	PAGE	REF NO.
11185105	48	18	11875309	22	23	11890902	40	41
11185204	48	7	11875408	28	19	11890902	46	58
11185501	48	19	11875408	34	18	11891009	40	38
11550803	42	61	11875507	24	8	11891009	46	59
11550803	44	46	11875507	30	19	11892106	40	18
11820800	16	28	11875507	38	19	11892106	44	23
11820800	18	29	11877958	28	17	11892809	42	62
11820800	20	23	11877966	28	26	11892809	44	47
11820800	22	29	11878055	30	17	11892908	42	63
11820800	24	48	11878063	30	26	11892908	46	48
11820800	26	48	11879855	22	20	11892957	42	55
11820800	28	27	11879863	22	28	11892957	44	40
11820800	30	27	11881158	34	16	11893054	42	48
11820800	32	27	11881166	34	27	11893054	44	37
11820800	34	28	11881257	38	16	11893104	42	49
11820800	36	29	11881265	38	27	11893104	44	38
11820800	38	28	11881653	40	15	11894706	40	22
11831807	28	15	11881653	44	19	11894706	44	26
11831807	30	15	11881661	40	21	11896206	42	53
11831807	32	15	11881661	44	25	11896206	46	56
11831807	34	10	11882305	28	3	11896305	42	51
11831807	36	10	11882305	34	3	11896305	46	54
11831807	38	10	11882305	36	3	11930807	16	24
11845609	28	6	11882602	2	28	11930807	18	27
11845609	30	6	11882602	4	13	11930807	20	20
11845609	32	6	11882909	6	16	11930807	22	11
11845609	34	6	11882909	14	8	11930807	24	44
11845609	38	6	11883006	10	15	11930807	32	25
11845609	42	54	11883006	12	4	11957958	48	1
11845609	46	57	11884004	2	5	11966504	48	22
11845807	36	6	11884004	4	25	11969508	48	25
11845807	42	52	11884004	6	3	11969565	48	2
11845807	46	55	11884004	8	3	11980802	8	22
11872108	22	22	11884004	14	26	11985900	24	7
11872108	28	20	11884004	22	3	11985959	24	6
11872108	34	19	11884004	24	3	11985967	24	17
11872207	24	9	11884004	30	3	11987708	6	19
11872207	30	20	11884004	38	3	11987708	14	14
11872207	38	17	11884202	40	2	11991015	18	22
11872405	40	16	11884202	44	2	11991015	22	8
11872405	44	20	11884400	8	30	11991015	24	40
11873403	34	17	11884400	10	3	11991015	32	20
11873502	38	18	11887304	2	29	11991205	18	21
11873601	40	17	11887304	4	14	11991205	32	21
11873601	44	21	11888609	2	7	11991304	16	25

# NUMERICAL INDEX OF PARTS

PART NO	PAGE	REF NO.	PART NO	PAGE	REF NO.	PART NO	PAGE	REF NO.
11991304	18	26	12122800	38	11	12150306	2	8
11991304	20	21	12123154	28	13	12150306	4	24
11991304	22	10	12123154	30	13	12150306	6	2
11991304	24	43	12123154	32	13	12150306	8	2
11991304	32	23	12123154	34	8	12150306	10	13
11993508	16	26	12123154	36	8	12150306	12	2
11993508	18	25	12123154	38	8	12150306	14	25
11993508	22	13	12128401	28	9	12150306	18	16
11993508	24	46	12128401	30	9	12150306	22	2
11993508	32	24	12128401	32	8	12150306	24	35
11995305	36	18	12128401	34	12	12150504	28	2
11995354	36	16	12128401	36	12	12150504	34	2
11995362	36	28	12128401	38	12	12150504	36	2
11995404	36	19	12145652	40	6	12150603	30	2
11995503	36	17	12145652	44	8	12150603	32	2
11995602	36	21	12145702	40	7	12150603	38	2
11995701	36	20	12145702	44	9	12153854	2	22
11999208	8	29	12145801	40	27	12153862	2	25
11999208	10	14	12145801	44	7	12153953	2	30
11999208	12	3	12145900	40	28	12153953	4	5
11999406	28	12	12145900	44	6	12153961	2	35
11999406	30	12	12146007	40	23	12153961	4	10
11999406	32	12	12146007	44	27	12154050	4	15
11999406	34	15	12146106	40	24	12154068	4	20
11999406	36	15	12146106	44	28	12154159	6	21
11999406	38	15	12146205	40	25	12154159	8	33
11999604	40	31	12146205	44	29	12154159	10	6
11999604	44	14	12146304	40	26	12154159	14	19
12111902	28	11	12146304	44	30	12154167	6	24
12111902	30	11	12146403	28	10	12154167	8	38
12111902	32	11	12146403	30	10	12154167	10	9
12111902	34	14	12146403	32	10	12154167	14	22
12111902	36	14	12146403	34	13	12154258	2	11
12111902	38	14	12146403	36	13	12154258	4	27
12112504	12	24	12146403	38	13	12154258	6	5
12112504	14	29	12148003	22	19	12154258	8	5
12112603	12	25	12148003	24	5	12154258	10	17
12112603	14	28	12148003	40	5	12154258	12	7
12112702	12	26	12148003	44	5	12154258	14	31
12112702	14	30	12149902	2	19	12154266	2	16
12122800	28	16	12150009	2	27	12154266	4	32
12122800	30	16	12150009	4	2	12154266	6	10
12122800	32	16	12150108	4	12	12154266	8	10
12122800	34	11	12150207	40	4	12154266	10	22
12122800	36	11	12150207	44	4	12154266	12	12

# NUMERICAL INDEX OF PARTS

PART NO	PAGE	REF NO.	PART NO	PAGE	REF NO.	PART NO	PAGE	REF NO.
12154266	14	36	12163101	16	20	12168209	10	23
12154654	16	18	12163200	18	5	12168209	12	13
12154662	16	27	12163309	18	20	12168209	14	37
12154753	18	4	12163507	32	19	12168308	2	34
12154761	18	13	12163606	20	16	12168308	4	19
12154852	18	19	12163705	22	6	12170700	16	16
12154860	18	28	12163804	24	23	12170700	24	20
12155057	32	17	12163903	24	39	12170809	18	2
12155065	32	26	12164901	2	24	12170908	18	17
12155156	20	15	12165007	2	32	12170908	32	3
12155164	20	22	12165007	4	7	12171005	24	36
12155255	22	5	12165106	4	17	12171302	8	19
12155263	22	14	12165205	6	23	12172904	16	17
12155354	24	22	12165205	8	35	12172904	24	21
12155362	24	31	12165205	10	8	12173001	20	14
12155453	24	38	12165205	14	21	12173100	4	26
12155461	24	47	12165304	2	12	12173100	6	4
12157004	2	14	12165304	4	29	12173209	6	17
12157004	4	30	12165304	6	7	12173209	14	9
12157004	6	8	12165304	8	7	12173308	2	6
12157004	8	8	12165304	10	19	12173308	6	20
12157004	10	20	12165304	12	9	12173308	8	4
12157004	12	10	12165304	14	33	12173308	14	27
12157004	14	35	12165502	16	21	12173308	24	4
12157103	16	19	12165502	18	6	12173308	28	4
12157103	18	9	12165700	20	17	12173308	30	4
12157103	20	18	12165700	24	25	12173308	34	4
12157103	24	24	12165809	22	7	12173308	36	4
12157202	2	33	12165809	24	41	12173308	38	4
12157202	4	18	12168001	2	15	12173407	18	18
12162301	2	23	12168001	4	31	12173407	24	37
12162400	2	31	12168001	6	9	12173407	32	4
12162400	4	6	12168001	8	9	12173506	8	31
12162509	4	16	12168001	10	21	12173506	10	16
12162608	6	22	12168001	12	11	12173506	12	5
12162608	8	34	12168001	14	34	12173605	22	4
12162608	10	7	12168100	16	22	12173803	40	3
12162608	14	20	12168100	18	23	12173803	44	3
12162707	2	13	12168100	22	9	12173902	8	23
12162707	4	28	12168100	24	45	12174306	8	20
12162707	6	6	12168100	32	18	12176004	28	5
12162707	8	6	12168209	2	17	12176004	30	5
12162707	10	18	12168209	4	33	12176004	32	5
12162707	12	8	12168209	6	11	12176004	34	5
12162707	14	32	12168209	8	11	12176004	36	5

NUMERICAL INDEX OF PARTS

PART NO	PAGE	REF NO.	PART NO	PAGE	REF NO.	PART NO	PAGE	REF NO.
12176004	38	5	B1515816000	20	19	B3120125000	42	57
12180865	8	32	B1515816000	22	24	B3120125000	44	42
12180865	10	24	B1515816000	24	26	B3120352000	42	60
12180865	12	6	B1515816000	28	22	B3120352000	44	45
12180964	28	8	B1515816000	34	20	B3126012000	42	59
12180964	30	8	B151581600B	18	24	B3126012000	44	44
12180964	32	9	B151581600B	22	12	B3304704000A	48	15
12180964	34	29	B151581600B	24	42	B3305704000A	48	8
12180964	36	35	B151581600B	30	22	B3309704000	48	14
12180964	38	29	B151581600B	32	22	B33098430A0	48	11
12181061	40	14	B151581600B	38	22	B3311012000	48	21
12181061	46	49	B1530816D00	22	25	B3311704000	48	6
12181160	2	9	B1530816D00	24	13	B3311843000	48	12
B1427816000	40	8	B1530816D00	28	21	B3317704000	48	23
B1427816000	44	10	B1530816D00	30	25	B3318704L00A	48	4
B1428816000	40	9	B1530816D00	34	22	B3319704L00	48	3
B1428816000	44	11	B1530816D00	36	22	B3320704L00A	48	20
B1507843D00	28	18	B1530816D00	38	21	B3321704L00	48	31
B1507843F00	30	18	B1532814000	34	21	B3321704L0B	48	26
B1510816000	22	27	B1532814000	36	23	MAM0750J0A0	20	24
B1510816000	24	16	B1532814000	38	20	MAM0750J0A0	22	16
B1510816000	28	24	B2017372000	42	58	MAM0760N0A0	20	25
B1510816000	30	23	B2017372000	44	43	MAM0760N0A0	22	17
B1510816000	34	26	B2109816000	40	36	MAN067000A0	22	30
B1510816000	36	25	B2109816000	44	33	MAN0670D0A0	24	19
B1510816000	38	25	B2110845000	40	34	MAN0770F0A0	40	42
B1511357000	40	19	B2110845000	44	31	MAN0770F0A0	46	50
B1511357000	44	24	B211784500A	40	32	MAO11532000	48	32
B1511816000	24	12	B211784500A	44	17	MAQ141000A0	34	30
B1511816000	28	25	B211784500B	40	33	MAQ141000A0	36	30
B1511816000	30	21	B211784500B	44	18	MAQ141000A0	38	30
B1511816000	34	25	B2121845000	40	35	MAT80106N00	22	21
B1511816000	36	27	B2121845000	44	32	MC033600750	28	28·29
B1511816000	38	23	B2314019000	42	56	MC033600750	30	28·29
B1512816000	22	26	B2314019000	44	41	MC033600750	32	28·29
B1512816000	24	14	B240284500B	42	50	MC033600750	34	33·34
B1512816000	28	23	B240284500B	44	39	MC033600750	36	33·34
B1512816000	30	24	B251570400B	28	14	MC033600750	38	33·34
B1512816000	34	23	B251570400B	30	14	MC033600900	40	43·44
B1512816000	36	26	B251570400B	32	14	MC033600900	46	62·63
B1512816000	38	26	B251570400B	34	9	MC033601000	8	36·37
B1513816000	24	15	B251570400B	36	9	MC033601000	10	25·26
B1514816000	24	11	B251570400B	38	9	MC033601000	12	14·15
B1515816000	16	23	B2528845000	40	39	MDC270B1100	28	28·29
B1515816000	18	8	B2528845000	46	60	MDC270B1100	30	28·29

NUMERICAL INDEX OF PARTS

PART NO	PAGE	REF NO.	PART NO	PAGE	REF NO.	PART NO	PAGE	REF NO.
MDC270B1100	32	28·29	R4612J0DE01	38	1	TA0750404R0	46	52
MDC270B1100	34	33·34	R4612J0FD00	2	4	TA2000502R0	40	47
MDC270B1100	36	33·34	R4612J0FD00	8	1	TA2000502R0	46	53
MDC270B1100	38	33·34	R4612J0FD00	14	24	WP0250516SD	40	10
MDC270B1400	40	43·44	R4612J0FD00	22	1	WP0250516SD	44	12
MDC270B1400	46	62·63	R4612J0FD00	24	34	WP0371016SD	34	31
MDC270B1600	8	36·37	R4612J0FD0A	18	15	WP0371016SD	36	31
MDC270B1600	10	25·26	R4612J0FD0B	24	1	WP0371016SD	38	31
MDC270B1600	12	14·15	R4612J0FG00	10	12	WP1612616SE	48	30
NM6050001SE	48	24	R4612J0HG00	12	1			
NM6060001SE	48	28	R4808J0DE00	40	1			
PS0200062KH	40	37	R4810J0DE00	44	1			
PS0200062KH	44	15	SD0370401SP	40	20			
R4504J0ED00	2	18	SD0370401SP	44	22			
R4505J0DD00	2	26	SK3382001SE	48	29			
R4505J0ED00	4	1	SM4040655SP	2	10			
R4506J0ED00	4	11	SM4040655SP	40	40			
R4508J0DD00	4	21	SM4040655SP	44	61			
R4508J0DD00	12	16	SM4040655SP	46	61			
R4508J0DD00	20	1	SM4051405SE	48	9			
R4508J0DD00	24	33	SM4061201SE	48	27			
R4508J0DD0B	16	1	SM6053000SE	48	16			
R4508J0DD0B	22	18	SM6061610SC	48	5			
R4508J0DD0E	8	12	SS6060340SP	40	29			
R4508J0ED0B	16	15	SS6060340SP	44	36			
R4508J0ED0D	8	15	SS6060440TP	34	24			
R4508J0FD00	4	23	SS6060440TP	36	24			
R4508J0FD00	12	23	SS6060440TP	38	24			
R4508J0FD0B	8	18	SS7060510SP	40	11			
R4512J0GD00	6	1	SS7060510SP	44	13			
R4608J0DD00	6	12	SS7091110TP	34	32			
R4608J0DD00	14	1	SS7091110TP	36	32			
R4608J0DE01	28	1	SS7091110TP	38	32			
R4608J0DE01	34	1	SS7110540SP	48	13			
R4608J0DE01	36	1	SS8080310TP	28	7			
R4608J0DF00	8	21	SS8080310TP	30	7			
R4608J0ED00	6	15	SS8080310TP	32	7			
R4608J0ED00	14	7	SS8080310TP	34	7			
R4608J0FD00	6	18	SS8080310TP	36	7			
R4608J0FD00	14	13	SS8080310TP	38	7			
R4608J0FD0A	18	1	SS9090610TP	40	30			
R4608J0FG00	8	28	SS9090610TP	44	16			
R4608J0HG00	10	1	TA0290601M0	40	45			
R4612J0DE01	30	1	TA0290601M0	46	51			
R4612J0DE01	32	1	TA0750404R0	40	46			