

MODEL : MO-3900 SUBCLASSES 3912/3914

List No : 0848-03

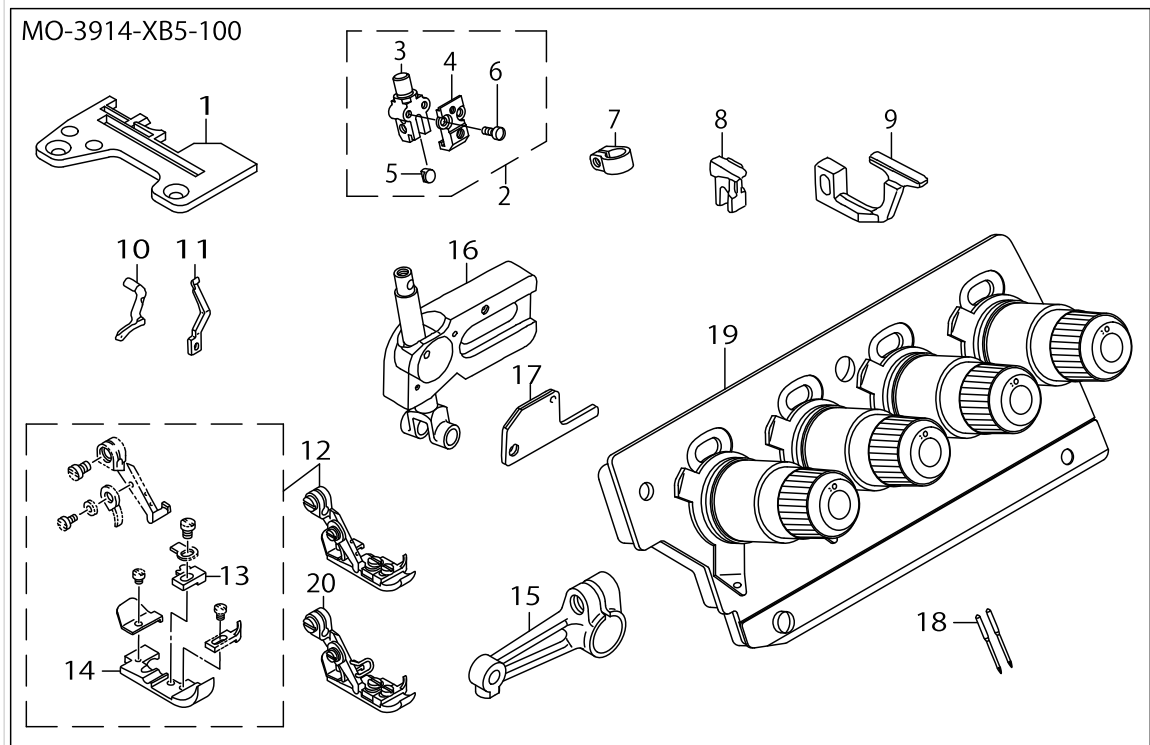
PARTS LIST

Published:09/10/2017

CONTENTS

MO-3900 SUBCLASSES (1).....	1
MO-3900 SUBCLASSES (2).....	3
MO-3900 SUBCLASSES (3).....	5
MO-3900 SUBCLASSES (4).....	7
MO-3900 SUBCLASSES (5).....	9
MO-3900 SUBCLASSES (6).....	11
MO-3900 SUBCLASSES (7).....	13
MO-3900 SUBCLASSES (8).....	15
MO-3900 SUBCLASSES (9).....	17
HOW TO MAKE USE OF THIS PARTS LIST	19

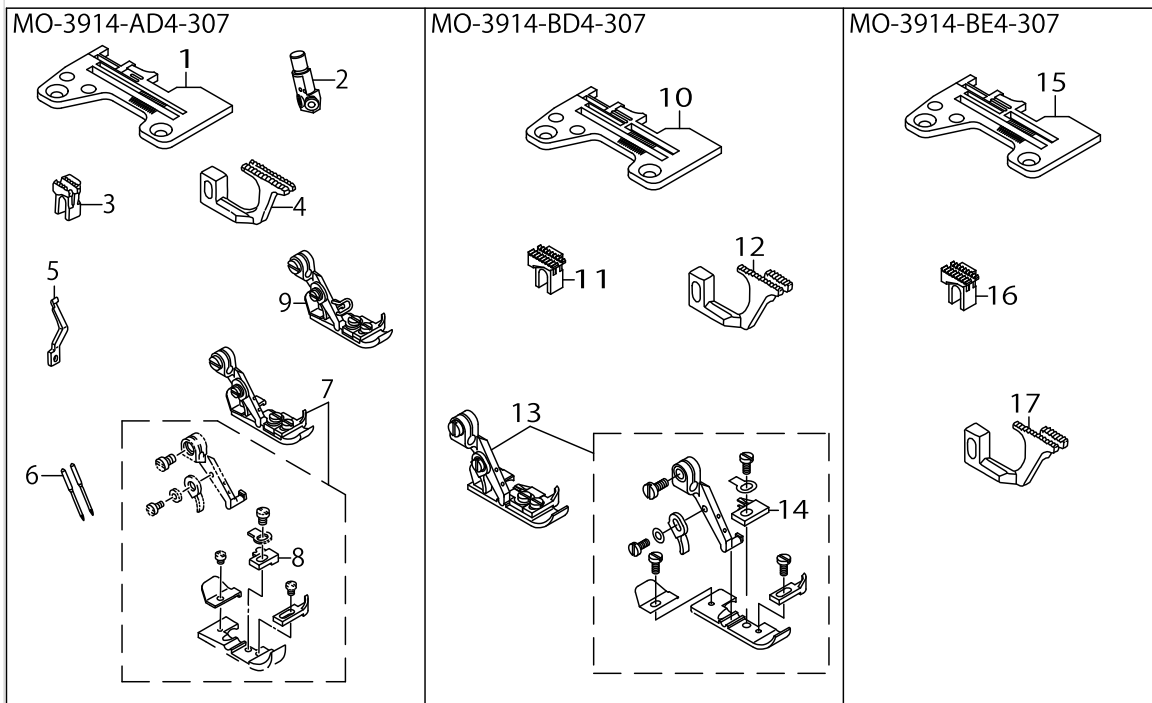
MO-3900 SUBCLASSES (1)



MO-3900 SUBCLASSES (1)

No.	Parts No.	Parts name	Remarks	Level	Cons	Qty
1	R4103JOBP00	THROAT PLATE				1
2	12148854	NEEDLE CLAMP ASM., 2-NEEDLE				1
3	12148805	NEEDLE CLAMP, 2-NEEDLE		*		1
4	12148904	NEEDLE CLAMP COVER		*		1
5	12149001	NEEDLE CLAMP BLOCK		*		1
6	SS7060610SP	SCREW 3/32-56 L= 5.5		*		1
7	12110508	NEEDLE CLAMP HOLDER				1
8	11882008	MAIN FEED DOG				1
9	11885001	DIFFERENTIAL FEED DOG				1
10	11888104	UPPER LOOPER				1
11	11890209	NEEDLE GUARD				1
12	11876554	PRESSER FOOT ASM.				1
13	11874005	STITCH TONGUE		*		1
14	B1507804C00	PRESSER FOOT		*		1
15	12122701	UPPER LOOPER ARM A				1
16	12123006	UPPER LOOPER GUIDE SUPPORT				1
17	11833704	UPPER LOOPER GUIDE COVER				1
18	MDCC47B0900	NEEDLE DCXC47 #9				2
19	12180766	THREAD GUIDE PLATE ASM.				1
20	11876562	PRESSER FOOT ASM.	FOR EXPORT			1

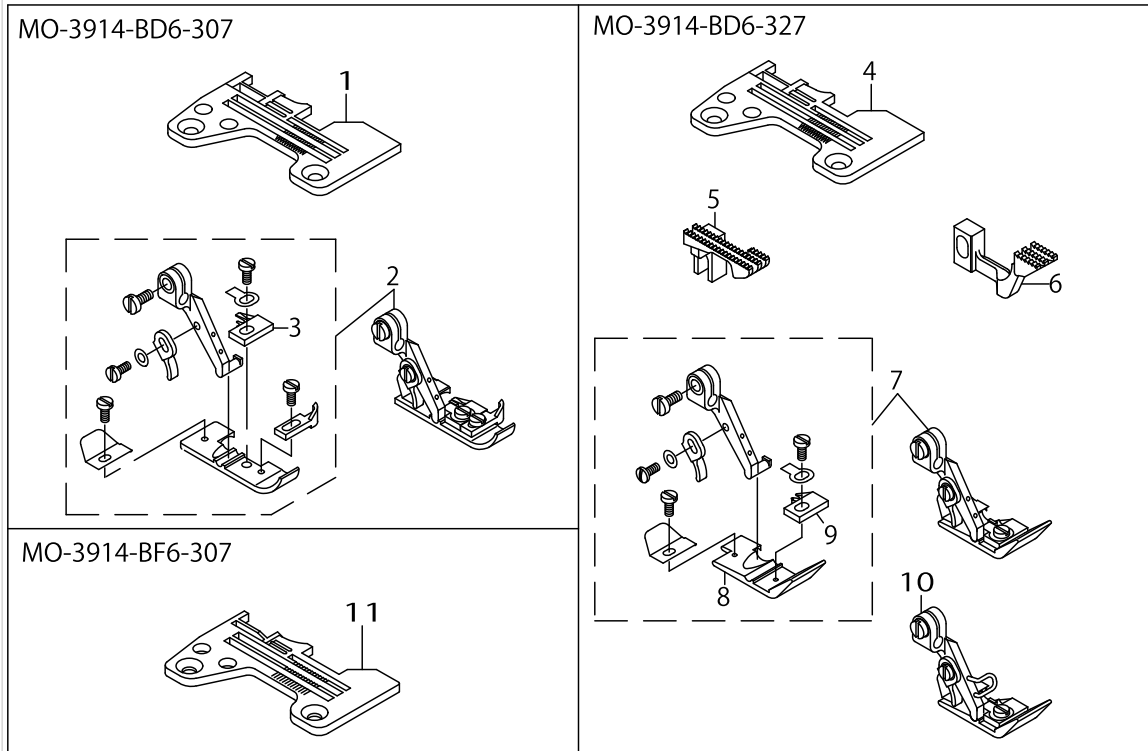
MO-3900 SUBCLASSES (2)



MO-3900 SUBCLASSES (2)

No.	Parts No.	Parts name	Remarks	Level	Cons	Qty
1	R4204J0DC00	THROAT PLATE				1
2	12149100	NEEDLE CLAMP, 2-NEEDLE				1
3	11882107	MAIN FEED DOG				1
4	B165780400T	DIFFERENTIAL FEED DOG				1
5	11890209	NEEDLE GUARD				1
6	MDC300B1100	NEEDLE DCX3 #11				2
7	11876653	PRESSER FOOT ASM.				1
8	11874104	STITCH TONGUE		*		1
9	11876661	PRESSER FOOT ASM.	FOR EXPORT			1
10	R4205J0DE00	THROAT PLATE				1
11	11597101	MAIN FEED DOG				1
12	B1657814B0E	DIFFERENTIAL FEED DOG				1
13	12152559	PRESSER FOOT COMPL.				1
14	12160107	STITCH TONGUE		*		1
15	R4205J0EE00	THROAT PLATE				1
16	11597101	MAIN FEED DOG				1
17	B1657814B0E	DIFFERENTIAL FEED DOG				1

MO-3900 SUBCLASSES (3)

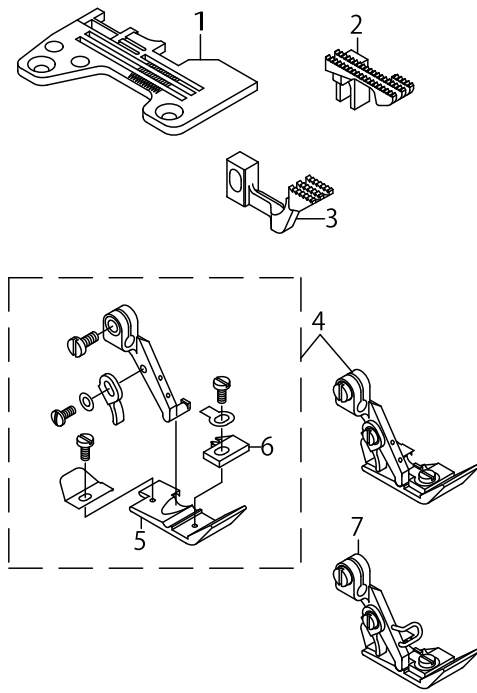


MO-3900 SUBCLASSES (3)

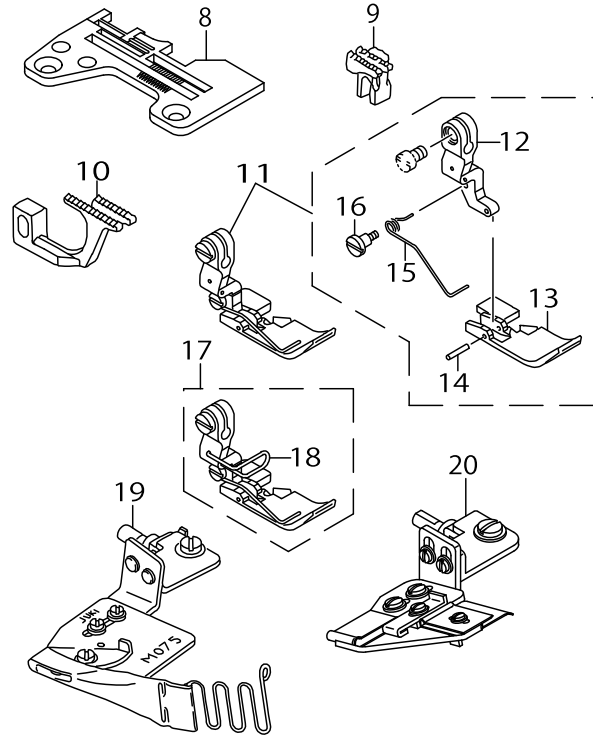
No.	Parts No.	Parts name	Remarks	Level	Cons	Qty
1	R4305J0DE00	THROAT PLATE				1
2	12152559	PRESSER FOOT COMPL.				1
3	12160107	STITCH TONGUE		*		1
4	R4305J0DE0A	THROAT PLATE				1
5	11883402	MAIN FEED DOG				1
6	12171807	DIFFERENTIAL FEED DOG				1
7	11879350	PRESSER FOOT ASM.				1
8	11974102	PRESSER FOOT		*		1
9	B150981400P	STITCH TONGUE		*		1
10	11879368	PRESSER FOOT ASM.	FOR EXPORT			1
11	R4305J0FE00	THROAT PLATE				1

MO-3900 SUBCLASSES (4)

MO-3914-BE6-327

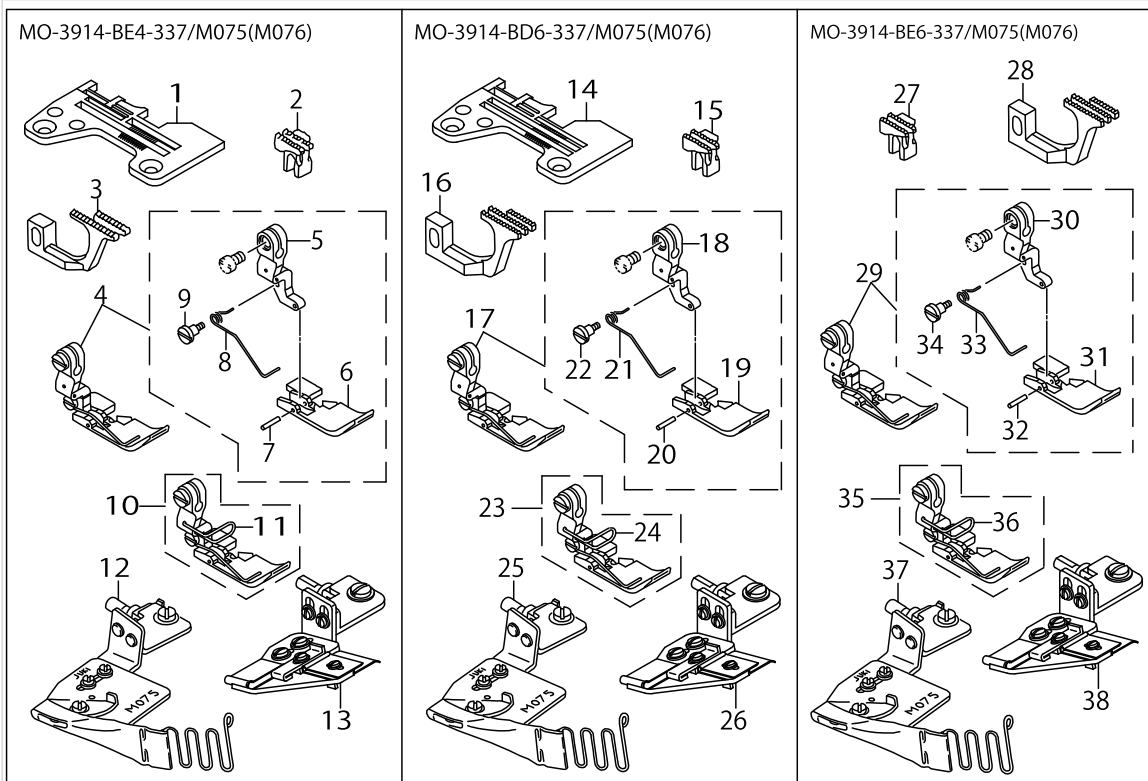


MO-3914-BD4-337/M075(M076)



MO-3900 SUBCLASSES (4)

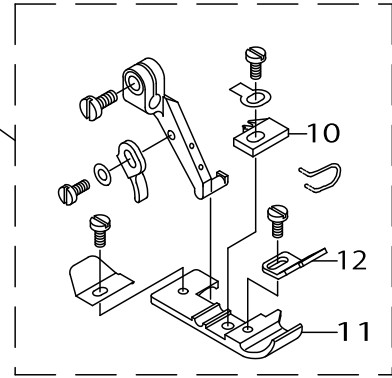
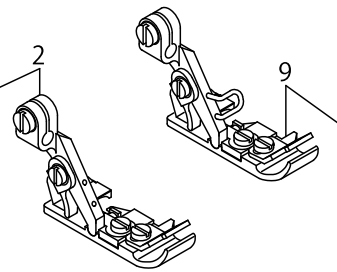
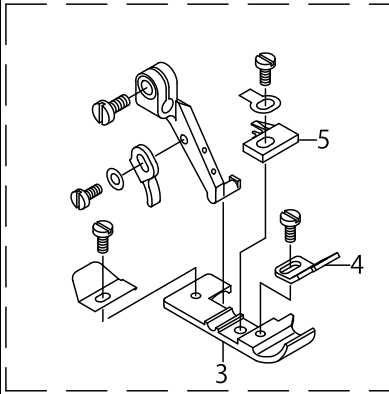
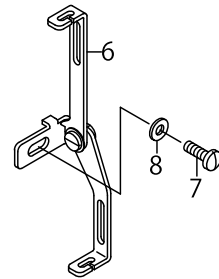
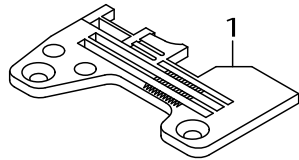
No.	Parts No.	Parts name	Remarks	Level	Cons	Qty
1	R4305J0EE0A	THROAT PLATE				1
2	11883402	MAIN FEED DOG				1
3	12171807	DIFFERENTIAL FEED DOG				1
4	11879350	PRESSER FOOT ASM.				1
5	11974102	PRESSER FOOT		*		1
6	B150981400P	STITCH TONGUE		*		1
7	11879368	PRESSER FOOT ASM.	FOR EXPORT			1
8	R4205J0DE00	THROAT PLATE				1
9	11884509	MAIN FEED DOG				1
10	B1657814B0M	DIFFERENTIAL FEED DOG				1
11	11879053	PRESSER FOOT ASM.				1
12	11872405	PRESSER FOOT HINGE		*		1
13	B1507814B0D	PRESSER FOOT		*		1
14	B1511357000	PIN		*		1
15	11892106	PRESSER SPRING		*		1
16	SD0370401SP	HINGE SCREW D= 3.70 H= 4.0		*		1
17	11879061	PRESSER FOOT ASM.	FOR EXPORT			1
18	11894706	FINGER GUARD		*		1
19	MAM0750J0A0	PIPING FOLDER ASM. 9MM				1
20	MAM0760N0A0	PIPING GUIDE ASM. 13MM	SPECIAL ORDER PART			1



MO-3900 SUBCLASSES (5)

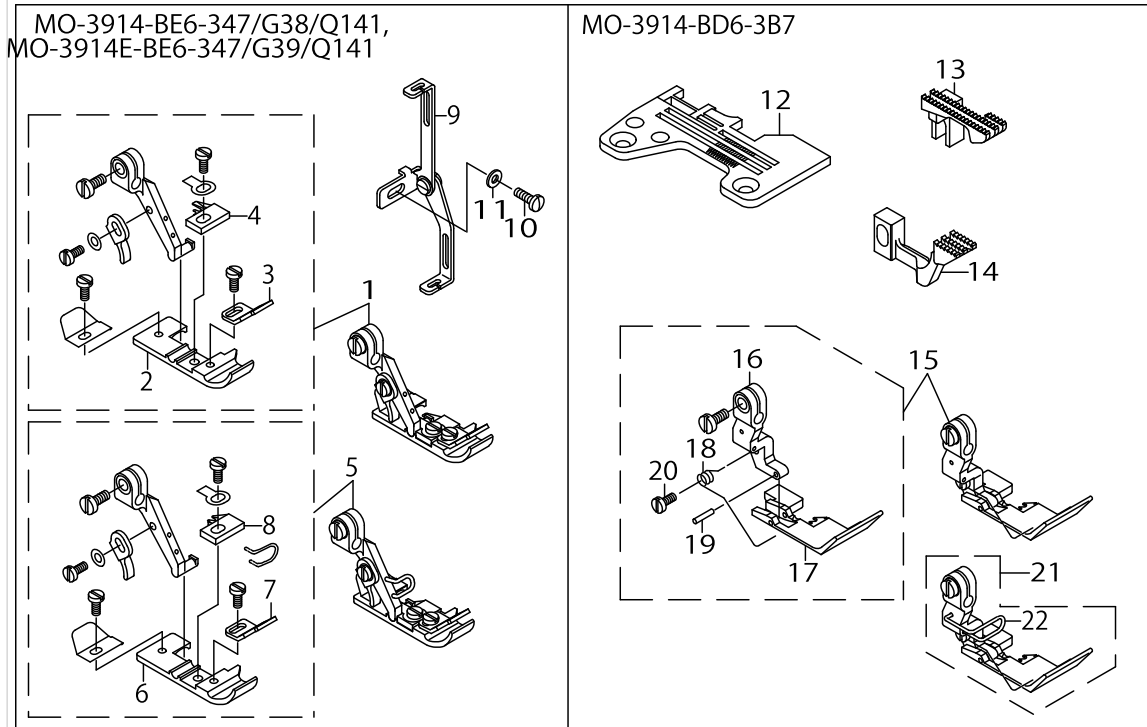
No.	Parts No.	Parts name	Remarks	Level	Cons	Qty
1	R4205J0EE00	THROAT PLATE				1
2	11884509	MAIN FEED DOG				1
3	B1657814B0M	DIFFERENTIAL FEED DOG				1
4	11879053	PRESSER FOOT ASM.				1
5	11872405	PRESSER FOOT HINGE		*		1
6	B1507814B0D	PRESSER FOOT		*		1
7	11892106	PRESSER SPRING		*		1
8	B1511357000	PIN		*		1
9	SD0370401SP	HINGE SCREW D= 3.70 H= 4.0		*		1
10	11879061	PRESSER FOOT ASM.	FOR EXPORT			1
11	11894706	FINGER GUARD		*		1
12	MAM0750J0A0	PIPING FOLDER ASM. 9MM				1
13	MAM0760N0A0	PIPING GUIDE ASM. 13MM	SPECIAL ORDER PART			1
14	R4305J0DE00	THROAT PLATE				1
15	11882404	MAIN FEED DOG				1
16	11793304	DIFFERENTIAL FEED DOG				1
17	11879053	PRESSER FOOT ASM.				1
18	11872405	PRESSER FOOT HINGE		*		1
19	B1507814B0D	PRESSER FOOT		*		1
20	11892106	PRESSER SPRING		*		1
21	B1511357000	PIN		*		1
22	SD0370401SP	HINGE SCREW D= 3.70 H= 4.0		*		1
23	11879061	PRESSER FOOT ASM.	FOR EXPORT			1
24	11894706	FINGER GUARD		*		1
25	MAM0750J0A0	PIPING FOLDER ASM. 9MM				1
26	MAM0760N0A0	PIPING GUIDE ASM. 13MM	SPECIAL ORDER PART			1
27	11882404	MAIN FEED DOG				1
28	11793304	DIFFERENTIAL FEED DOG				1
29	11879053	PRESSER FOOT ASM.				1
30	11872405	PRESSER FOOT HINGE		*		1
31	B1507814B0D	PRESSER FOOT		*		1
32	11892106	PRESSER SPRING		*		1
33	B1511357000	PIN		*		1
34	SD0370401SP	HINGE SCREW D= 3.70 H= 4.0		*		1
35	11879061	PRESSER FOOT ASM.	FOR EXPORT			1
36	11894706	FINGER GUARD		*		1
37	MAM0750J0A0	PIPING FOLDER ASM. 9MM				1
38	MAM0760N0A0	PIPING GUIDE ASM. 13MM	SPECIAL ORDER PART			1

MO-3914-BD6-347/G38/Q141,
MO-3914E-BD6-347/G39/Q141



MO-3900 SUBCLASSES (6)

No.	Parts No.	Parts name	Remarks	Level	Cons	Qty
1	R4305J0DE00	THROAT PLATE				1
2	12152856	PRESSER FOOT ASM.	FOR DOMESTIC USE (G38)			1
3	12158002	PRESSER FOOT		*		1
4	12160909	TAPE GUIDE		*		1
5	12160206	STITCH TONGUE		*		1
6	MAQ141000A0	TAPE GUIDE ASM.				1
7	SS7091110TP	SCREW 9/64-40 L=10.5				1
8	WP0371016SD	WASHER 3.7X8X1				1
9	12152963	PRESSER FOOT ASM.	FOR EXPORT (G39)			1
10	12160305	STITCH TONGUE		*		1
11	12158002	PRESSER FOOT		*		1
12	12160909	TAPE GUIDE		*		1

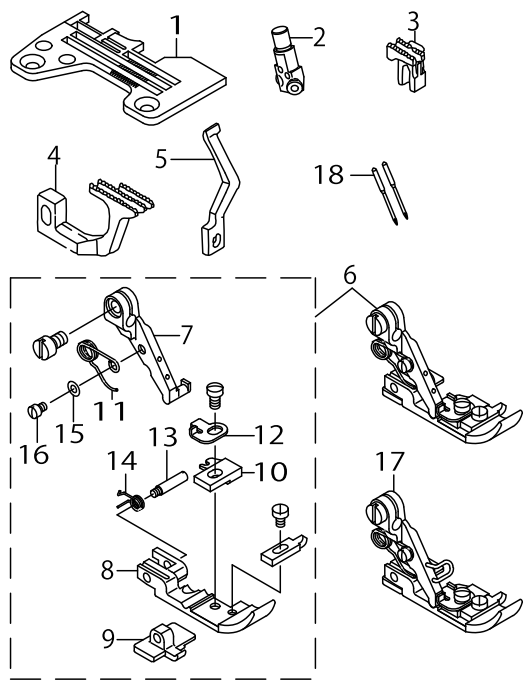


MO-3900 SUBCLASSES (7)

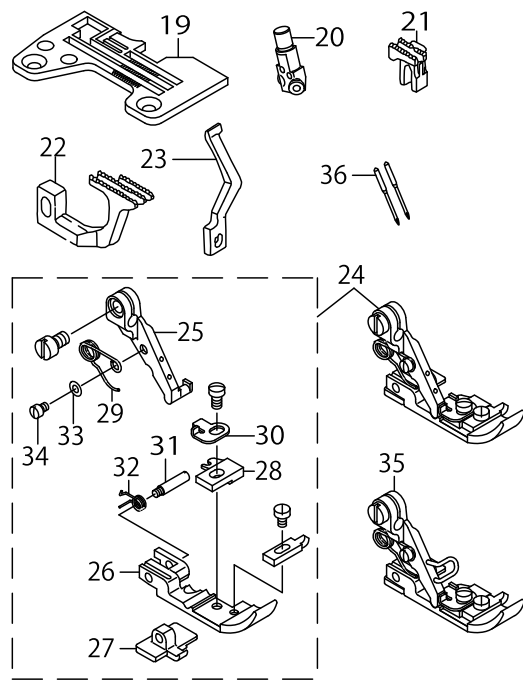
No.	Parts No.	Parts name	Remarks	Level	Cons	Qty
1	12152856	PRESSER FOOT ASM.	FOR DOMESTIC USE (G38)			1
2	12158002	PRESSER FOOT		*		1
3	12160909	TAPE GUIDE		*		1
4	12160206	STITCH TONGUE		*		1
5	12152963	PRESSER FOOT ASM.	FOR EXPORT (G39)			1
6	12158002	PRESSER FOOT		*		1
7	12160909	TAPE GUIDE		*		1
8	12160305	STITCH TONGUE		*		1
9	MAQ141000A0	TAPE GUIDE ASM.				1
10	SS7091110TP	SCREW 9/64-40 L=10.5				1
11	WP0371016SD	WASHER 3.7X8X1				1
12	R4305J0DE0A	THROAT PLATE				1
13	11883402	MAIN FEED DOG				1
14	12171807	DIFFERENTIAL FEED DOG				1
15	12152658	PRESSER FOOT ASM.				1
16	11872405	PRESSER FOOT HINGE		*		1
17	12157905	PRESSER FOOT		*		1
18	11892106	PRESSER SPRING		*		1
19	B1511357000	PIN		*		1
20	SD0370401SP	HINGE SCREW D= 3.70 H= 4.0		*		1
21	12152666	PRESSER FOOT ASM.	FOR EXPORT			1
22	11894706	FINGER GUARD		*		1

MO-3900 SUBCLASSES (8)

MO-3912-DD6-507



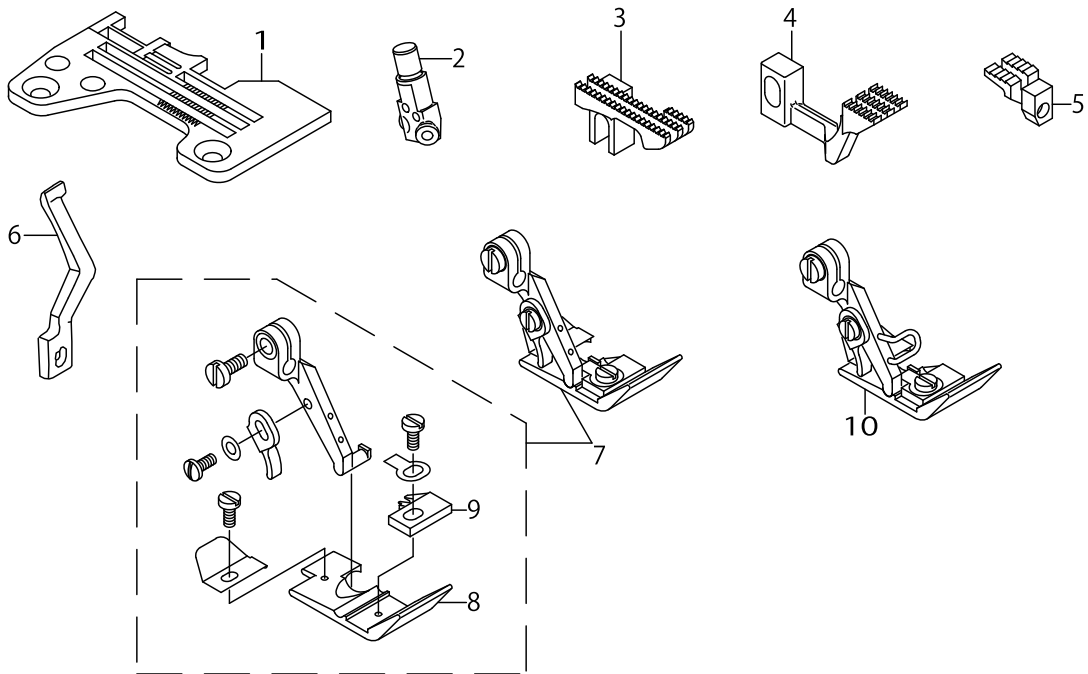
MO-3912-DF6-507



MO-3900 SUBCLASSES (8)

No.	Parts No.	Parts name	Remarks	Level	Cons	Qty
1	R4308J0DE00	THROAT PLATE				1
2	12149407	NEEDLE CLAMP, 2-NEEDLE				1
3	11984309	MAIN FEED DOG				1
4	11980604	DIFFERENTIAL FEED DOG				1
5	11890407	NEEDLE GUARD				1
6	11983855	PRESSER ASM.				1
7	11984002	PRESSER HINGE		*		1
8	11983806	CLOTH PRESSER		*		1
9	11983905	REAR PRESSER FOOT		*		1
10	11790607	STITCH TONGUE		*		1
11	11984200	PRESSER SPRING		*		1
12	11984101	SPRING		*		1
13	11930807	HINGE PIN		*		1
14	11931706	SPRING		*		1
15	WP0371026SD	WASHER 3.7X7X1		*		1
16	SS7080520SP	SCREW 1/8-44 L=4.9		*		1
17	11983863	PRESSER FOOT ASM	FOR EXPORT			1
18	MDC270B1400	NEEDLE DCX27 #14				2
19	R4308J0FE0A	THROAT PLATE				1
20	12149407	NEEDLE CLAMP, 2-NEEDLE				1
21	11984309	MAIN FEED DOG				1
22	11980604	DIFFERENTIAL FEED DOG				1
23	11890407	NEEDLE GUARD				1
24	11983855	PRESSER ASM.				1
25	11984002	PRESSER HINGE		*		1
26	11983806	CLOTH PRESSER		*		1
27	11983905	REAR PRESSER FOOT		*		1
28	11790607	STITCH TONGUE		*		1
29	11984200	PRESSER SPRING		*		1
30	11984101	SPRING		*		1
31	11930807	HINGE PIN		*		1
32	11931706	SPRING		*		1
33	WP0371026SD	WASHER 3.7X7X1		*		1
34	SS7080520SP	SCREW 1/8-44 L=4.9		*		1
35	11983863	PRESSER FOOT ASM	FOR EXPORT			1
36	MDC270B1400	NEEDLE DCX27 #14				2

MO-3912E-DF6-327



MO-3900 SUBCLASSES (9)

No.	Parts No.	Parts name	Remarks	Level	Cons	Qty
1	R4308J0FE00	THROAT PLATE				1
2	12149407	NEEDLE CLAMP, 2-NEEDLE				1
3	11884608	MAIN FEED DOG				1
4	12171906	DIFFENTIAL FEED DOG				1
5	11887205	AUXILIARY FEED DOG				1
6	11890407	NEEDLE GUARD				1
7	11974052	PRESSER FOOT ASM.				1
8	11974003	PRESSER		*		1
9	11790607	STITCH TONGUE		*		1
10	11974060	PRESSER FOOT ASM.	FOR EXPORT			1

HOW TO MAKE USE OF THIS PARTS LIST

1.As to "#01" and "#02" refer to the "Note" given at the bottom of the respective pages.

2.Codes on the "Qty" column

- Each numeral indicates the number of parts required.
- "0.1" and "2.5" indicate the length (in meters) of the respective parts.

3.Parentheses mean that the corresponding part is a subpart that constructs an assembly part.

4.Dotted lines on the Figures indicate assembly parts.

1. リストページの# 0 1、# 0 2の印は、ページ下の"注記"の説明を参照下さい。
2. 数量欄の数字は、個数を表し、0. 1、2. 5等の数値は、長さ（単位メートル）を表します。
3. 数量欄の（ ）は、組部品を構成している子部品であることを意味します。
4. イラストページの-----枠は、組構成であることを意味します。

NUMERICAL INDEX OF PARTS

PART NO	PAGE	REF NO.	PART NO	PAGE	REF NO.	PART NO	PAGE	REF NO.
11597101	4	16	11931706	16	32	12171807	8	3
11790607	16	28	11974003	18	8	12171807	14	14
11790607	18	9	11974052	18	7	12171906	18	4
11793304	10	28	11974060	18	10	12180766	2	19
11833704	2	17	11974102	6	8	B1507804C00	2	14
11872405	8	12	11974102	8	5	B1507814B0D	8	13
11872405	10	30	11980604	16	22	B1507814B0D	10	31
11872405	14	16	11983806	16	26	B150981400P	6	9
11874005	2	13	11983855	16	24	B150981400P	8	6
11874104	4	8	11983863	16	35	B1511357000	8	14
11876554	2	12	11983905	16	27	B1511357000	10	33
11876562	2	20	11984002	16	25	B1511357000	14	19
11876653	4	7	11984101	16	30	B165780400T	4	4
11876661	4	9	11984200	16	29	B1657814B0E	4	17
11879053	8	11	11984309	16	21	B1657814B0M	8	10
11879053	10	29	12110508	2	7	B1657814B0M	10	3
11879061	8	17	12122701	2	15	MAM0750J0A0	8	19
11879061	10	35	12123006	2	16	MAM0750J0A0	10	37
11879350	6	7	12148805	2	3	MAM0760N0A0	8	20
11879350	8	4	12148854	2	2	MAM0760N0A0	10	38
11879368	6	10	12148904	2	4	MAQ141000A0	12	6
11879368	8	7	12149001	2	5	MAQ141000A0	14	9
11882008	2	8	12149100	4	2	MDC270B1400	16	36
11882107	4	3	12149407	16	20	MDC300B1100	4	6
11882404	10	27	12149407	18	2	MDCC47B0900	2	18
11883402	6	5	12152559	4	13	R4103J0BP00	2	1
11883402	8	2	12152559	6	2	R4204J0DC00	4	1
11883402	14	13	12152658	14	15	R4205J0DE00	4	10
11884509	8	9	12152666	14	21	R4205J0DE00	8	8
11884509	10	2	12152856	12	2	R4205J0EE00	4	15
11884608	18	3	12152856	14	1	R4205J0EE00	10	1
11885001	2	9	12152963	12	9	R4305J0DE00	6	1
11887205	18	5	12152963	14	5	R4305J0DE00	10	14
11888104	2	10	12157905	14	17	R4305J0DE00	12	1
11890209	2	11	12158002	12	11	R4305J0DE0A	6	4
11890209	4	5	12158002	14	6	R4305J0DE0A	14	12
11890407	16	23	12160107	4	14	R4305J0EE0A	8	1
11890407	18	6	12160107	6	3	R4305J0FE00	6	11
11892106	8	15	12160206	12	5	R4308J0DE00	16	1
11892106	10	32	12160206	14	4	R4308J0FE00	18	1
11892106	14	18	12160305	12	10	R4308J0FE0A	16	19
11894706	8	18	12160305	14	8	SD0370401SP	8	16
11894706	10	36	12160909	12	12	SD0370401SP	10	34
11894706	14	22	12160909	14	7	SD0370401SP	14	20
11930807	16	31	12171807	6	6	SS7060610SP	2	6

NUMERICAL INDEX OF PARTS

PART NO	PAGE	REF NO.
SS7080520SP	16	34
SS7091110TP	12	7
SS7091110TP	14	10
WP0371016SD	12	8
WP0371016SD	14	11
WP0371026SD	16	33