

MODEL : AE-4,-5

List No : 0846-02

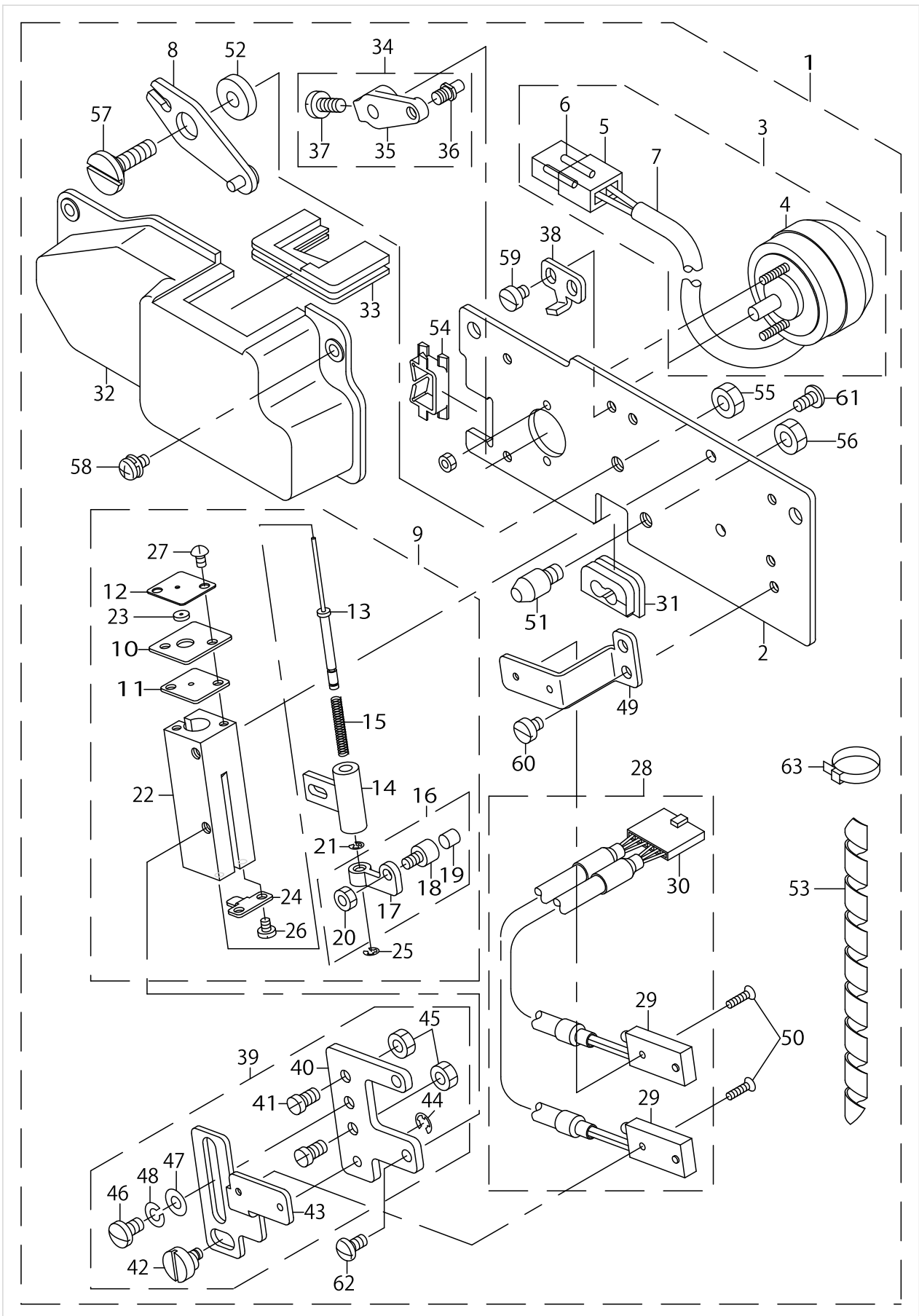
PARTS LIST

Published:11/09/2017

CONTENTS

COMPONENTS	1
ACCESSORIES	5
HOW TO MAKE USE OF THIS PARTS LIST	7

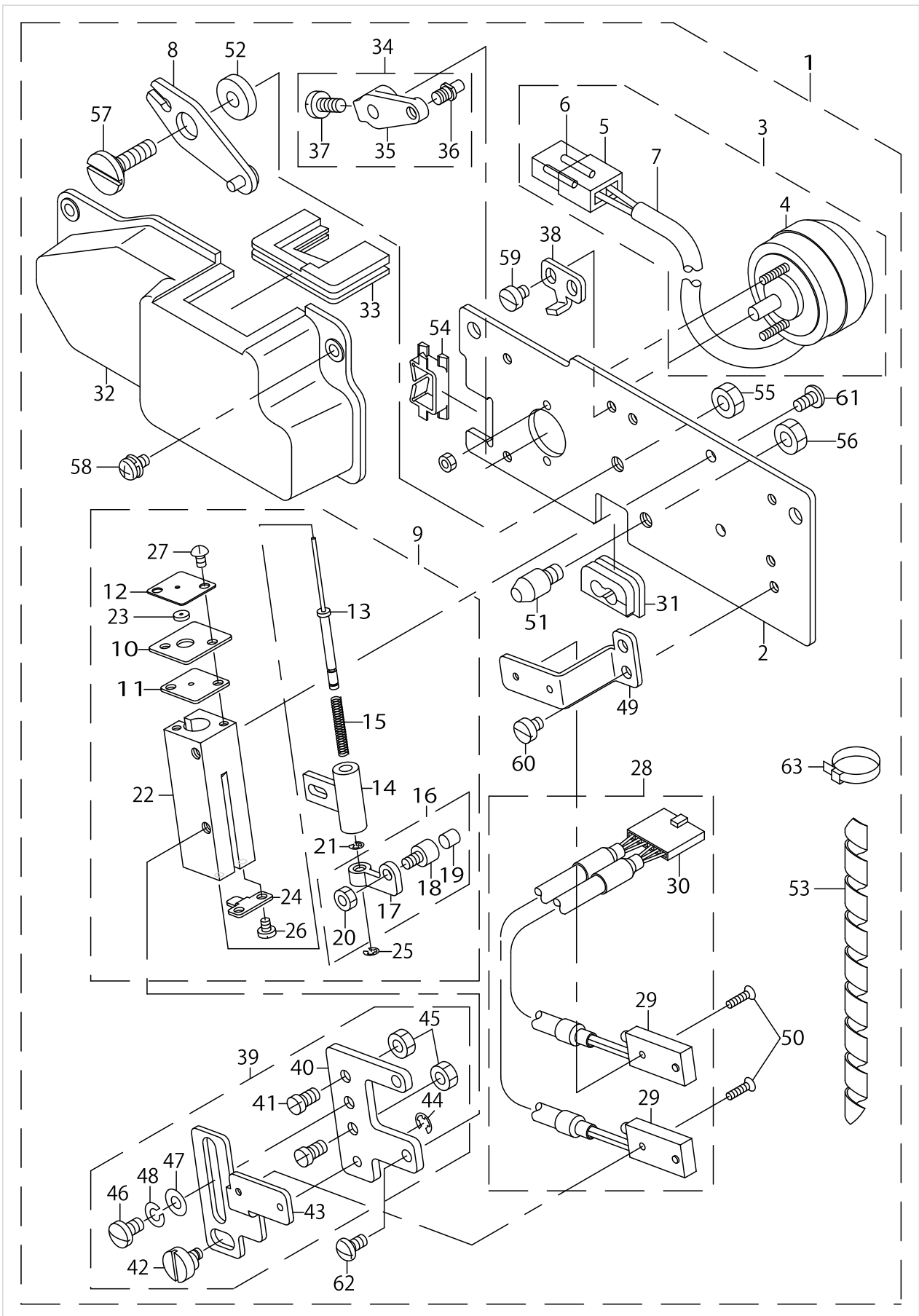
COMPONENTS



COMPONENTS

No.	Parts No.	Parts name	Remarks	Level	Cons	Qty
1	GAE040100A0	DRIVING EQUIPMENT ASM.				1
2	GAE04010000	BASE PLATE		*		1
3	GAE040110A0	DRIVING SOLENOID ASM.		*		1
4	GAE04011000	ROTALY SOLENOID		*		1
5	HK034620020	2P PLUG		*		1
6	HK034630000	TERMINAL		*		2
7	E8760452H00	TUBE		*		0.8
8	GAE040140A0	DRIVING LINK ASM.		*		1
9	GAE040260A0	DETECTING ROD GUIDE ASM.		*		1
10	GAE04019000	DETECTING ROD FELT GUIDE		*		1
11	GAE04027000	DETECTING ROD GUIDE PLATE		*		1
12	GAE04029000	DETECTING ROD COVER		*		1
13	GAE03020000	DETECTING ROD		*		1
14	GAE03021000	DETECTING ROD HOLDER		*		1
15	GAE03022000	DETECTING ROD SPRING		*		1
16	GAE030230A0	MAGNET ASM.		*		1
17	GAE03023000	MAGNET PLATE		*		1
18	GAE03024000	MAGNET BASE		*		1
19	MAL01129000	MAGNET		*		1
20	NM6030001MZ	NUT M3X0.5		*		1
21	GAE03025000	E RING		*		1
22	GAE03026000	DETECTING ROD GUIDE		*		1
23	GAE03028000	DETECTING ROD FELT		*		1
24	GAE03036000	DETECTING ROD STOPPER		*		1
25	RE0150000K0	SNAP RING 1.5		*		1
26	SS7060310SP	SCREW 3/32-56 L=3		*		2
27	SS3060410SP	SCREW 3/32-56 L=4		*		2
28	GAE040330B0	SENSOR COMPL.		*		1
29	GAE040330A0	SENSOR ASM.		*		2
30	HK049210060	HOUSING		*		1
31	GAE04037000	SENSOR CORD BUSH		*		1
32	GAE04038000	DRIVING EQUIPMENT COVER		*		1
33	GAE04039000	RUBBER CUSHION		*		1
34	GAE030120A0	SOLENOID ARM ASM.		*		1
35	GAE03012000	SOLENOID ARM		*		1
36	GAE03013000	SOLENOID ARM PIN		*		1
37	SS6090810SP	SCREW 9/64-40 L= 7.5		*		1
38	GAE03018000	DRIVING LINK STOPPER A		*		1
39	GAE030300A0	SENSOR ADJUSTING PLATE ASM.		*		1
40	GAE03030000	SENSOR ADJUSTING PLATE		*		1
41	GAE03031000	SLIDE PIN		*		2
42	GAE03032000	ECCENTRIC PIN		*		1
43	GAE03034000	SENSOR INSTALLING PLATE A		*		1
44	RE0200000K0	E-RING		*		1
45	NS6090310SP	NUT 9/64-40		*		2
46	SS7090610SP	SCREW 9/64-40 L=6		*		1
47	WP0370316SD	WASHER 3.7X8X0.3		*		1

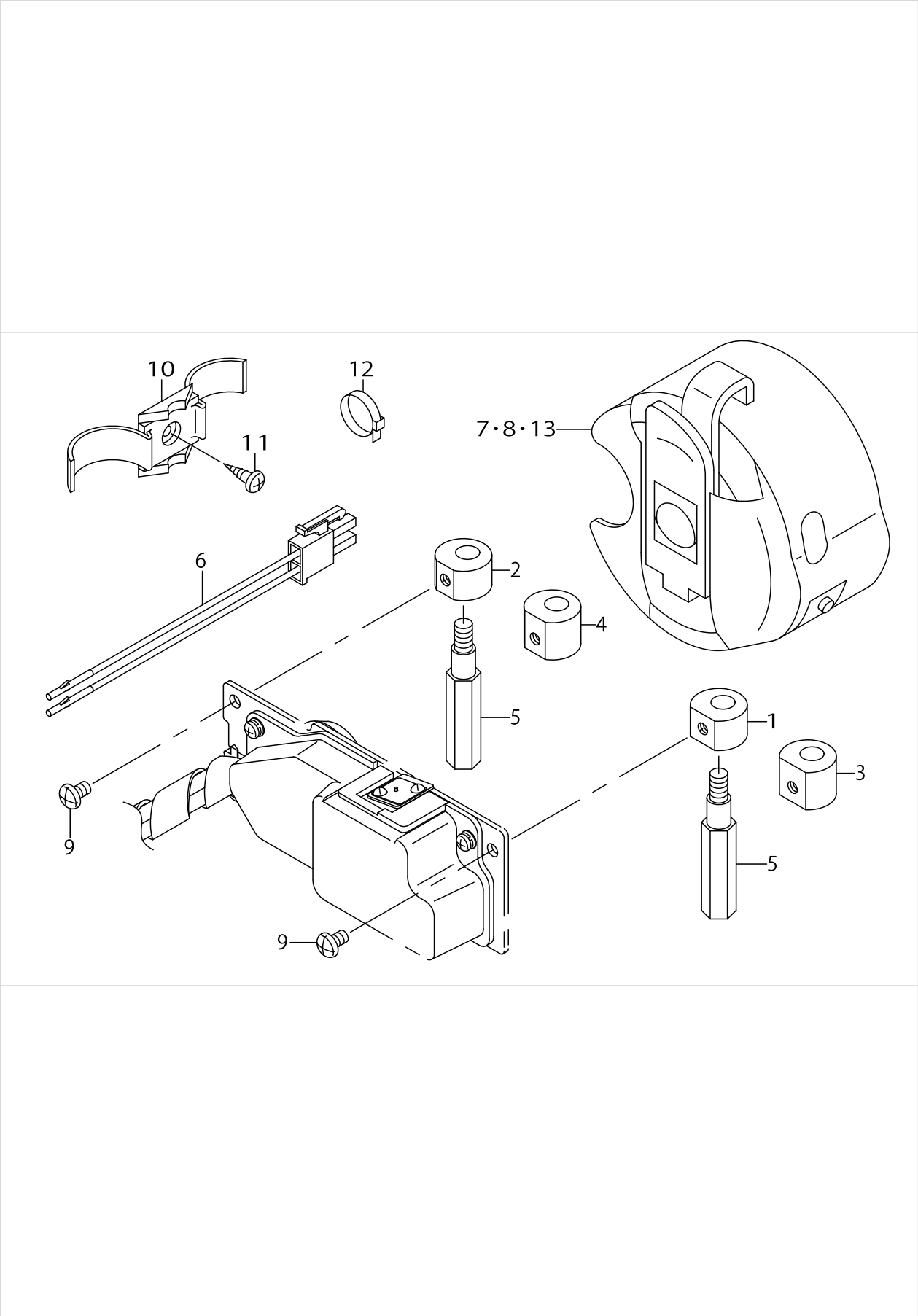
COMPONENTS



COMPONENTS

No.	Parts No.	Parts name	Remarks	Level	Cons	Qty
48	WS0410002KP	SPRING WASHER		*		1
49	GAE03035000	SENSOR INSTALLING PLATE B		*		1
50	10621803	MOUNTING SCREW		*		2
51	B1157781000	GUIDE PIN		*		1
52	MAO91003000	BSW PRESSER PLATE WASHER		*		1
53	HX001890000	SPIRAL TUBE		*		0.1
54	HX00285000A	CORD HOLDER		*		1
55	NS6110420SP	NUT 11/64-40		*		1
56	NS6110420SP	NUT 11/64-40		*		1
57	SD0790204SP	HINGE SCREW D= 7.94 H= 2		*		1
58	SL4030681SC	SCREW M3 L=6		*		3
59	SS6080410SP	SCREW 1/8-44 L=4		*		2
60	SS6080410SP	SCREW 1/8-44 L=4		*		2
61	SS4080610SP	SCREW 1/8-44 L=6.4		*		2
62	SS4080610SP	SCREW 1/8-44 L=6.4		*		2
63	EA9500B0100	CABLE BAND		*		1

ACCESSORIES



ACCESSORIES

No.	Parts No.	Parts name	Remarks	Level	Cons	Qty
1	GAE03040000	BASE PLATE	FOR AE-4			1
2	GAE03041000	STATOR B LEFT	FOR AE-4			1
3	GAE0304000A	STATOR A RIGHT	FOR AE-5			1
4	GAE0304100A	STATOR B LEFT	FOR AE-5			1
5	GAE03042000	BED SCREW STUD				2
6	GAE040430A0	SOLENOID CORD ASM.				1
7	GAE030450A0	BOBBIN CASE	FOR AE-4			1
8	GAE030460A0	BOBBIN CASE	FOR AE-5			1
9	SS4110715SP	SCREW 11/64-40 L=7				2
10	HX002450000	CABLE CLAMP				1
11	SK3381601SC	WOOD SCREW D=3.8 L=16				1
12	EA9500B0100	CABLE BAND				1
13	GAE030800A0	BOBBIN CASE	SPECIAL ORDER PART			1

HOW TO MAKE USE OF THIS PARTS LIST

1.As to "#01" and "#02" refer to the "Note" given at the bottom of the respective pages.

2.Codes on the "Qty" column

- Each numeral indicates the number of parts required.
- "0.1" and "2.5" indicate the length (in meters) of the respective parts.

3.Parentheses mean that the corresponding part is a subpart that constructs an assembly part.

4.Dotted lines on the Figures indicate assembly parts.

1. リストページの# 0 1、# 0 2の印は、ページ下の"注記"の説明を参照下さい。
2. 数量欄の数字は、個数を表し、0. 1、2. 5等の数値は、長さ（単位メートル）を表します。
3. 数量欄の（ ）は、組部品を構成している子部品であることを意味します。
4. イラストページの-----枠は、組構成であることを意味します。

NUMERICAL INDEX OF PARTS

PART NO	PAGE	REF NO.	PART NO	PAGE	REF NO.
10621803	4	50	GAE04038000	2	32
B1157781000	4	51	GAE04039000	2	33
E8760452H00	2	7	GAE040430A0	6	6
EA9500B0100	4	63	HK034620020	2	5
EA9500B0100	6	12	HK034630000	2	6
GAE03012000	2	35	HK049210060	2	30
GAE030120A0	2	34	HX001890000	4	53
GAE03013000	2	36	HX002450000	6	10
GAE03018000	2	38	HX00285000A	4	54
GAE03020000	2	13	MAL01129000	2	19
GAE03021000	2	14	MAO91003000	4	52
GAE03022000	2	15	NM6030001MZ	2	20
GAE03023000	2	17	NS6090310SP	2	45
GAE030230A0	2	16	NS6110420SP	4	56
GAE03024000	2	18	RE0150000K0	2	25
GAE03025000	2	21	RE0200000K0	2	44
GAE03026000	2	22	SD0790204SP	4	57
GAE03028000	2	23	SK3381601SC	6	11
GAE03030000	2	40	SL4030681SC	4	58
GAE030300A0	2	39	SS3060410SP	2	27
GAE03031000	2	41	SS4080610SP	4	62
GAE03032000	2	42	SS4110715SP	6	9
GAE03034000	2	43	SS6080410SP	4	60
GAE03035000	4	49	SS6090810SP	2	37
GAE03036000	2	24	SS7060310SP	2	26
GAE03040000	6	1	SS7090610SP	2	46
GAE0304000A	6	3	WP0370316SD	2	47
GAE03041000	6	2	WS0410002KP	4	48
GAE0304100A	6	4			
GAE03042000	6	5			
GAE030450A0	6	7·8·13			
GAE030460A0	6	7·8·13			
GAE030800A0	6	7·8·13			
GAE04010000	2	2			
GAE040100A0	2	1			
GAE04011000	2	4			
GAE040110A0	2	3			
GAE040140A0	2	8			
GAE04019000	2	10			
GAE040260A0	2	9			
GAE04027000	2	11			
GAE04029000	2	12			
GAE040330A0	2	29			
GAE040330B0	2	28			
GAE04037000	2	31			