

MODEL : AK-82/AK-83/AK-82A/AK-83A

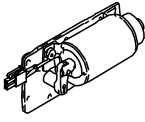

List No : 0830-04

PARTS LIST

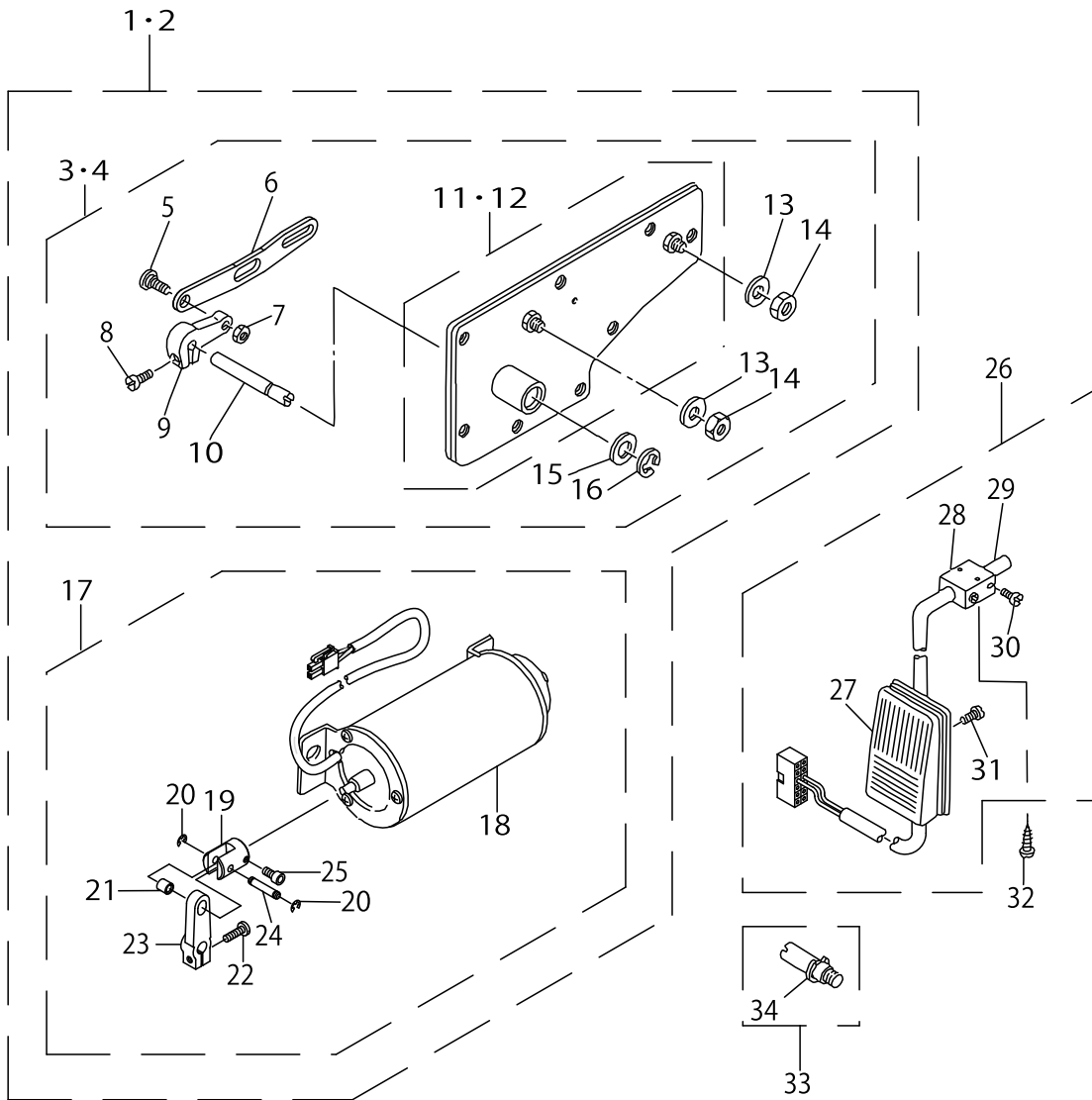
Published:09/10/2017

CONTENTS

AK-82/AK-83/AK-82A/AK-83A.....	1
HOW TO MAKE USE OF THIS PARTS LIST	3

TABLE OF UNIT COMBINATIONS ユニット組合せ表		
		
AK-82(GAK-820010AA)	○	○
AK-83(GAK-830010AA)	○	
AK-82A(GAK-82001AAA)	○	○
AK-83A(GAK-83001AAA)	○	

DEVICE 装置	APPLICABLE MODELS 適応機種
AK-82 AK-83	LZ-2280-7 LZ-2281-7 LZ-2286-7
AK-82A AK-83A	LZ-2288-7



AK-82/AK-83/AK-82A/AK-83A

No.	Parts No.	Parts name	Remarks	Level	Cons	Qty
1	GAK820100AA	AK" DEVICE ASM.	FOR AK-82,AK-83			1
2	GAK82010AAA	AK" DEVICE ASM.	FOR AK-82A,AK-83A			1
3	GAK820200BA	SIDE PLATE ASM. B	FOR AK-82,AK-83	*		1
4	GAK82020ABA	SIDE PLATE ASM. B	FOR AK-82A,AK-83A	*		1
5	SD0800352SP	HINGE SCREW D= 8 H= 3.5		*		1
6	GAK82026000	SOLENOID LINK		*		1
7	NS6150310SP	NUT 15/64-28		*		1
8	SS7121410SP	SCREW 3/16-28 L=14		*		1
9	GAK33027000	SOLENOID ARM		*		1
10	GAK33028000	SOLENOID SHAFT		*		1
11	GAK330200AA	SIDE PLATE ASM. A	FOR AK-82,AK-83	*		1
12	GAK82020AAA	SIDE PLATE ASM. A	FOR AK-82A,AK-83A	*		1
13	WP0621036SP	WASHER		*		2
14	NS6150440SP	NUT 15/64-28		*		2
15	WP1021016SD	WASHER		*		1
16	RE0700000K0	E-RING 7		*		1
17	40101423	AK SOLENOID ASM. B		*		1
18	40090289	AK SOLENOID ASM.		*		1
19	GAK33035000	SOLENOID COLLAR		*		1
20	RE0400000KP	E-RING 4		*		2
21	GAK33013000	SOLENOID PIN COLLAR		*		1
22	SM6051552TP	SCREW M5 L=15		*		1
23	GAK33011000	SOLENOID ARM, A		*		1
24	GAK33012000	SOLENOID PIN		*		1
25	SM6051002TP	SCREW M5X0.8 L=10		*		1
26	GAK840900B0	LIFTER KNEE SWITCH ASM. B				1
27	GAK840900A0	KNEE SWITCH ASM. A		*		1
28	MAT80230T00	KNEE SWITCH SUPPORT BASE		*		2
29	MAT80231T00	DRIVING BAR, T002		*		1
30	SS6151220SP	SCREW 15/64-28 L=11.5		*		4
31	SS7111410SP	SCREW 11/64-40 L=14		*		2
32	SK3514000SC	WOOD SCREW D=5.1 L=40				2
33	GAK330400A0	SHAFT PIN ASM.				1
34	RE0500000K0	E-RING		*		1

HOW TO MAKE USE OF THIS PARTS LIST

1.As to "#01" and "#02" refer to the "Note" given at the bottom of the respective pages.

2.Codes on the "Qty" column

- Each numeral indicates the number of parts required.
- "0.1" and "2.5" indicate the length (in meters) of the respective parts.

3.Parentheses mean that the corresponding part is a subpart that constructs an assembly part.

4.Dotted lines on the Figures indicate assembly parts.

1. リストページの# 0 1、# 0 2の印は、ページ下の"注記"の説明を参照下さい。
2. 数量欄の数字は、個数を表し、0. 1、2. 5等の数値は、長さ（単位メートル）を表します。
3. 数量欄の（ ）は、組部品を構成している子部品であることを意味します。
4. イラストページの-----枠は、組構成であることを意味します。

NUMERICAL INDEX OF PARTS

PART NO	PAGE	REF NO.
40090289	2	18
40101423	2	17
GAK33011000	2	23
GAK33012000	2	24
GAK33013000	2	21
GAK330200AA	2	11·12
GAK33027000	2	9
GAK33028000	2	10
GAK33035000	2	19
GAK330400A0	2	33
GAK820100AA	2	1·2
GAK82010AAA	2	1·2
GAK820200BA	2	3·4
GAK82020AAA	2	11·12
GAK82020ABA	2	3·4
GAK82026000	2	6
GAK840900A0	2	27
GAK840900B0	2	26
MAT80230T00	2	28
MAT80231T00	2	29
NS6150310SP	2	7
NS6150440SP	2	14
RE0400000KP	2	20
RE0500000K0	2	34
RE0700000K0	2	16
SD0800352SP	2	5
SK3514000SC	2	32
SM6051002TP	2	25
SM6051552TP	2	22
SS6151220SP	2	30
SS7111410SP	2	31
SS7121410SP	2	8
WP0621036SP	2	13
WP1021016SD	2	15