

MODEL : FBS-340N/FBS-340N-1

List No : 0770-03

# PARTS LIST

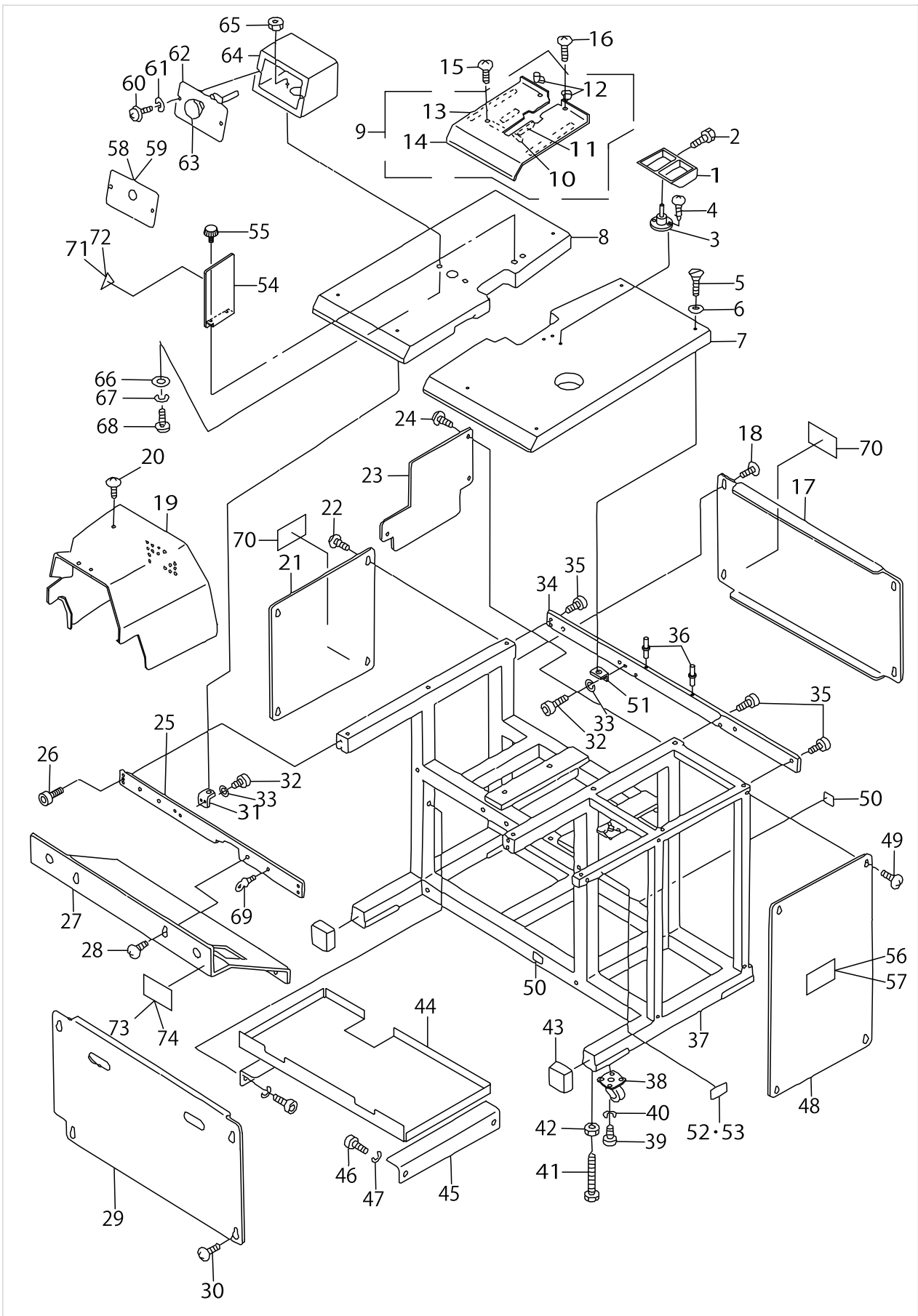
Published:09/10/2017

## CONTENTS

---

FRAME & COVER COMPONENTS.....	1
INSTALLATION BASE COMPONENTS.....	5
PEDAL SWITCH COMPONENTS.....	7
CAM, SENSOR & LOOPER COMPONENTS.....	11
CAM & LOOPER COMPONENTS.....	15
TENSION COMPONENTS.....	17
BUTTON SUPPLY COMPONENTS.....	21
SNAPPER COMPONENTS.....	25
LOOPER COVER COMPONENTS.....	29
THREAD GUIDE COMPONENTS.....	33
X-Y TABLE COMPONENTS.....	35
X-Y TABLE & TONGS RETURN COMPONENTS.....	37
BUTTON CHUCK COMPONENTS.....	41
THROAT PLATE & TONGS COMPONENTS.....	47
NEEDLE BAR COMPONENTS (1).....	51
NEEDLE BAR COMPONENTS (2).....	55
CONTROL BOX COMPONENTS.....	57
CABLE COMPONENTS.....	61
PNEUMATIC COMPONENTS.....	65
THREAD STAND UNIT COMPONENTS.....	67
THREADING UNIT COMPONENTS (FOR 340N-1).....	69
THREAD TRIMMER COMPONENTS (FOR 340N-1).....	71
CYLTHREADING INDER COMPONENTS (FOR 340N-1).....	73
PNEUMATIC COMPONENTS (FOR 340N-1).....	75
ACCESSORIES COMPONENTS.....	77
4-HOLED BUTTON ATTACHMENT (S151) COMPONENTS.....	79
2-HOLED BUTTON ATTACHMENT (S152) COMPONENTS.....	81
OPTIONAL PART COMPONENTS (1).....	83
OPTIONAL PART COMPONENTS (2).....	85
LIST FOR INFORMATION OF CHANGE.....	87
HOW TO MAKE USE OF THIS PARTS LIST.....	88

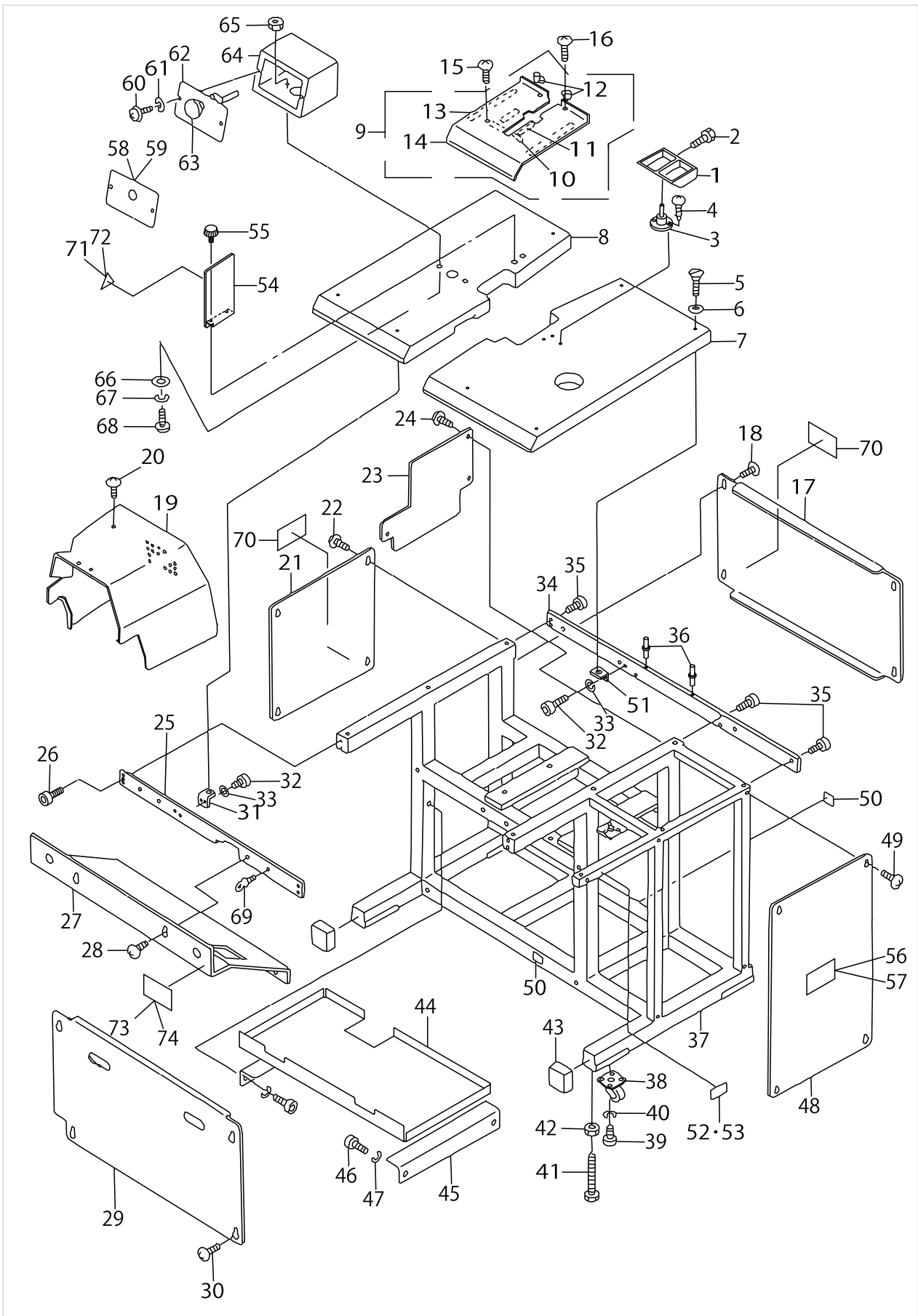
FRAME & COVER COMPONENTS



FRAME & COVER COMPONENTS

No.	Parts No.	Parts name	Remarks	Level	Cons	Qty
1	17848458	BUTTON TRAY ASM.				1
2	SS9151210TP	SCREW 15/64-28 L=11.8				1
3	17848508	BUTTON TRAY BASE				1
4	SK3412000SC	WOOD SCREW D=4.1 L=20				3
5	SM1045001SB	SCREW M4X0.7 L=50				11
6	G5021116000	FLAT WASHER				11
7	17780602	TABLE RIGHT				1
8	17780701	TABLE LEFT				1
9	17789454	X-Y TABLE COVER ASM.				1
10	G5480340000	RUBBER CUSHION A		*		2
11	G5481340000	RUBBER CUSHION B		*		2
12	G5482340000	RUBBER CUSHION C		*		2
13	17789504	RUBBER CUSHION D		*		2
14	17789405	X-Y TABLE COVER		*		1
15	SM0041201SA	SCREW M4X0.7 L=12				2
16	SM0042501SN	SCREW				2
17	17780305	REAR PANEL				1
18	SM0050801SC	SCREW				4
19	17781501	FRAME COVER				1
20	SM0050801SC	SCREW				4
21	17780206	LEFT PANEL				1
22	SM0050801SC	SCREW				4
23	17781402	DRIVER COVER				1
24	SM0051001SC	SCREW				4
25	17781006	CONNECTING PLATE FRONT				1
26	SM6061552TP	SCREW M6 L=15				4
27	17780503	FRONT PANEL UPPER				1
28	SM0050801SC	SCREW				4
29	17780404	FRONT PANEL LOWER				1
30	SM0050801SC	SCREW				4
31	G5010340000	TABLE INSTALLING BRACKET				1
32	SM6041002TP	SCREW M4 L=10				4
33	WS0410002KN	SPRING WASHER				4
34	17777301	CONNECTING PLATE REAR				1
35	SM6061552TP	SCREW M6 L=15				5
36	G5019340000	FIXED PIN				2
37	17780008	FRAME				1
38	G5846116000	CASTER				4
39	SM6061002TP	SCREW M6 L=10				16
40	WS0610002KN	SPRING WASHER 6.1X12.2X1.5				16
41	16781205	ADJUST BOLT				4
42	NM6120001SC	NUT M12				4
43	G5027340000	CAP				2
44	17781105	BUTTON RECEIVING BOX				1
45	17781204	RECEIVING BOX RAIL				2
46	SM6051202TP	SCREW M5X0.8 L=12				4
47	WS0510002KN	SPRING WASHER				4

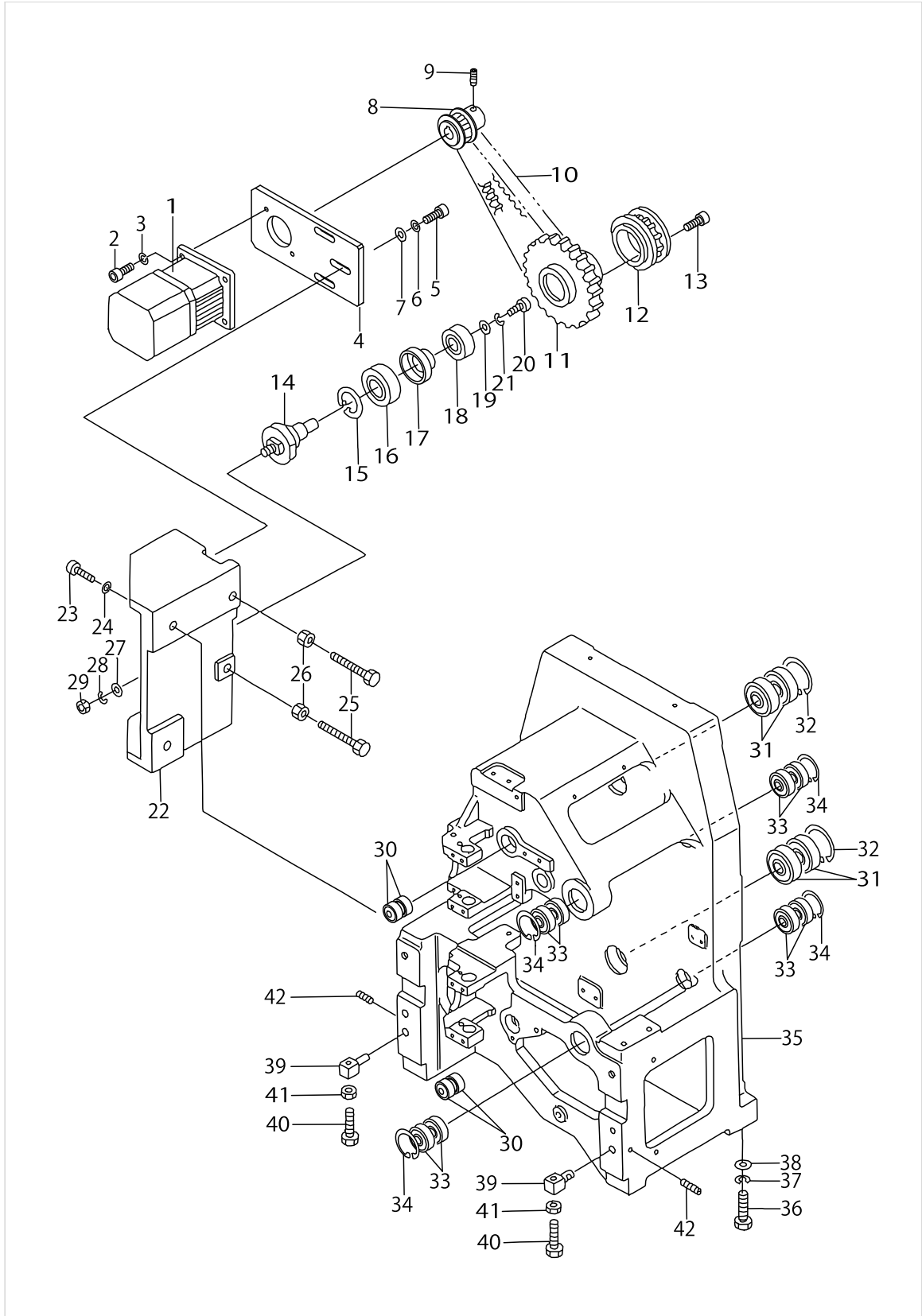
FRAME & COVER COMPONENTS



FRAME & COVER COMPONENTS

No.	Parts No.	Parts name	Remarks	Level	Cons	Qty
48	17780107	RIGHT PANEL				1
49	SM0050801SC	SCREW				4
50	16870206	GRAVITY SEAL				2
51	17796400	TABLE INSTALLING BRACKET				1
52	17781709	COMPLETE NAME PLATE				1
53	17781600	COMPLETE NAME PLATE	FOR 340N-1			1
54	17781303	ADJUSTMENT PART COVER				1
55	SM0041001SC	SCREW M4 L=10				2
56	CM300100102	DANGER LABEL (LARGE)	FOR JAPAN			1
57	CM500000001	POWER SOURCE INDICATION LABEL	FOR EXPORT			1
58	G60733400A0	START SWITCH SHEET	FOR JAPAN			1
59	G60773400A0	START SWITCH SHEET	FOR EXPORT			1
60	SL4030681SC	SCREW M3 L=6				2
61	WS0310002KN	SPRING WASHER M3				2
62	17773607	SWITCH BOX COVER				1
63	17771957	START SWITCH CABLE ASM.				1
64	17773508	SWITCH BOX				1
65	NM6040001SC	NUT M4				2
66	WP0430800SC	WASHER M4				2
67	WS0410002KN	SPRING WASHER				2
68	SM4044001SF	SCREW M4X0.7 L=40				2
69	GPK12027000	NUT				4
70	CM300600102	LABEL(LARGE)	FOR JAPAN			2
71	CM3002000A3	LABEL (31.5)	FOR JAPAN			1
72	CM300200001	ATTENTION SEAL	FOR EXPORT			1
73	CM300200301	SAFETY LABEL 5(SMALL).	FOR JAPAN			1
74	CM3002003A1	SAFETY LABEL6 (SMALL).	FOR EXPORT			1

INSTALLATION BASE COMPONENTS

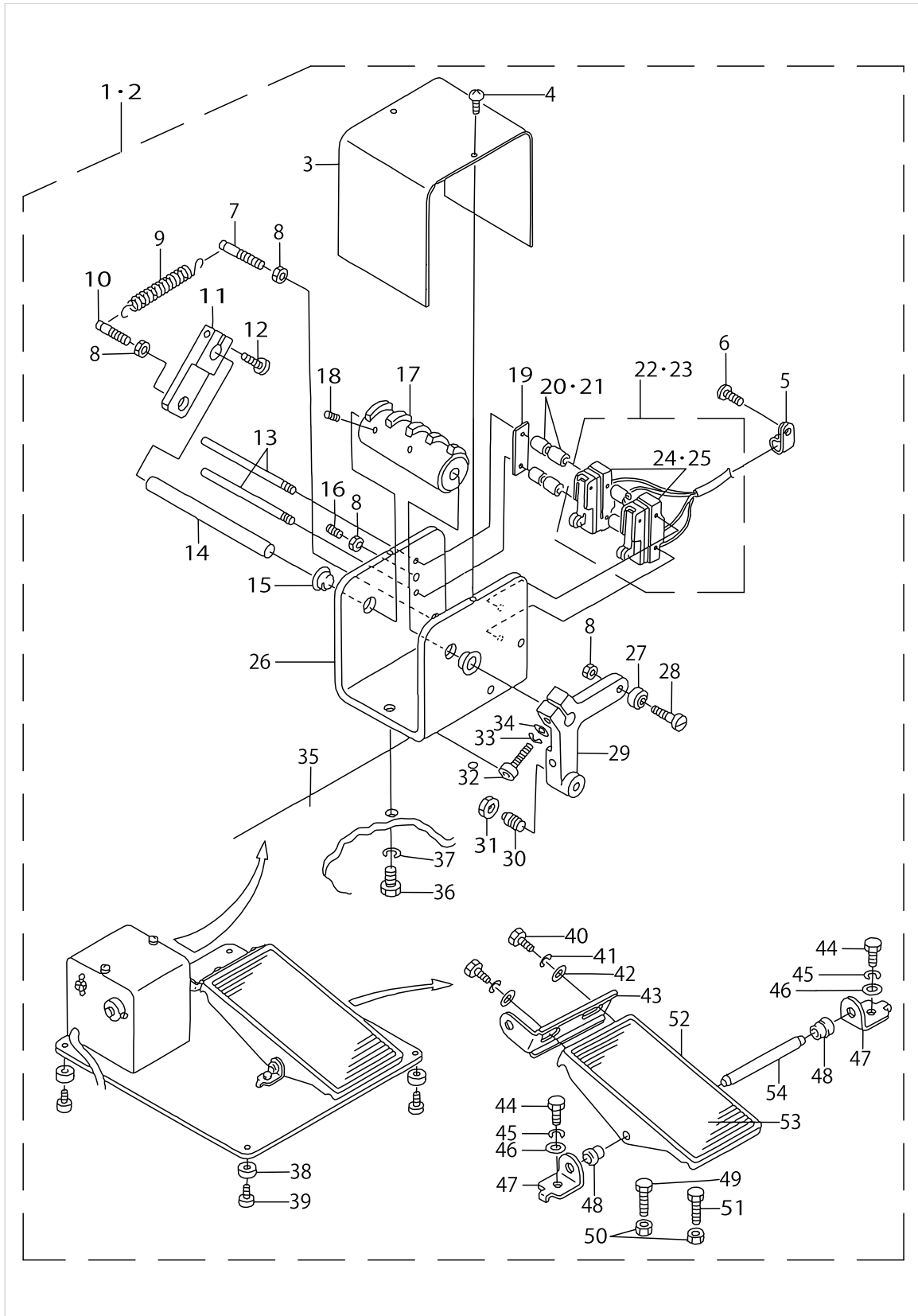


INSTALLATION BASE COMPONENTS

No.	Parts No.	Parts name	Remarks	Level	Cons	Qty
1	17770553	MAIN SHAFT MOTOR ASM.				1
2	SM6041602TP	SCREW M4X0.7 L=16				4
3	WS0410002KR	SPRING WASHER M4				4
4	18199406	MOTOR PLATE(N)				1
5	SM6062002TP	SCREW M6 L=20				3
6	WS0610002KN	SPRING WASHER 6.1X12.2X1.5				3
7	WP0641601SC	WASHER				3
8	17783408	MOTOR PULLEY				1
9	SM8040502TP	SCREW M4X0.7 L=5				2
10	17797903	TIMING BELT A				1
11	17782509	REDUCTION PULLEY 1				1
12	17783309	REDUCTION PULLEY 2				1
13	SM6041502TP	SCREW M4X0.7 L=15				4
14	17783200	REDUCTION PULLEY SHAFT				1
15	RC3200002K0	RETAINING RING				1
16	17797705	BEARING A				1
17	17783903	BEARING COLLAR				1
18	17797804	BEARING B				1
19	17797606	WASHER A FOR BEARING				1
20	SM6061552TP	SCREW M6 L=15				1
21	WS0610002KN	SPRING WASHER 6.1X12.2X1.5				1
22	17782400	REDUCTION BASE				1
23	SM6102512TP	SCREW M10X1.5 L=25.0				2
24	WS1020002KN	SPRING WASHER M10				2
25	17799107	REDUCTION BASE SCREW				2
26	NM6060001SC	NUT M6				2
27	17797507	PULLEY SHAFT WASHER				1
28	WS1020002KN	SPRING WASHER M10				1
29	NM6100001SC	NUT M10X1.5				1
30	G5162340000	BEARING				4
31	G5163340000	BEARING				4
32	G5165340000	RETAINING RING				2
33	SB115000200	BEARING				8
34	G5166340000	RETAINING RING				4
35	G5101340000	INSTALLATION BASE				1
36	17799008	INSTALLATION BASE SCREW				4
37	WS1020002KN	SPRING WASHER M10				4
38	WP1052001SC	WASHER 10 5X21X2				4
39	G5134340000	ADJUSTING BOSS				2
40	SM9083503SC	SCREW M8 L=35				2
41	NM6080001SC	NUT M8X1.25				2
42	SM8061002TP	SCREW M6 L=10				2



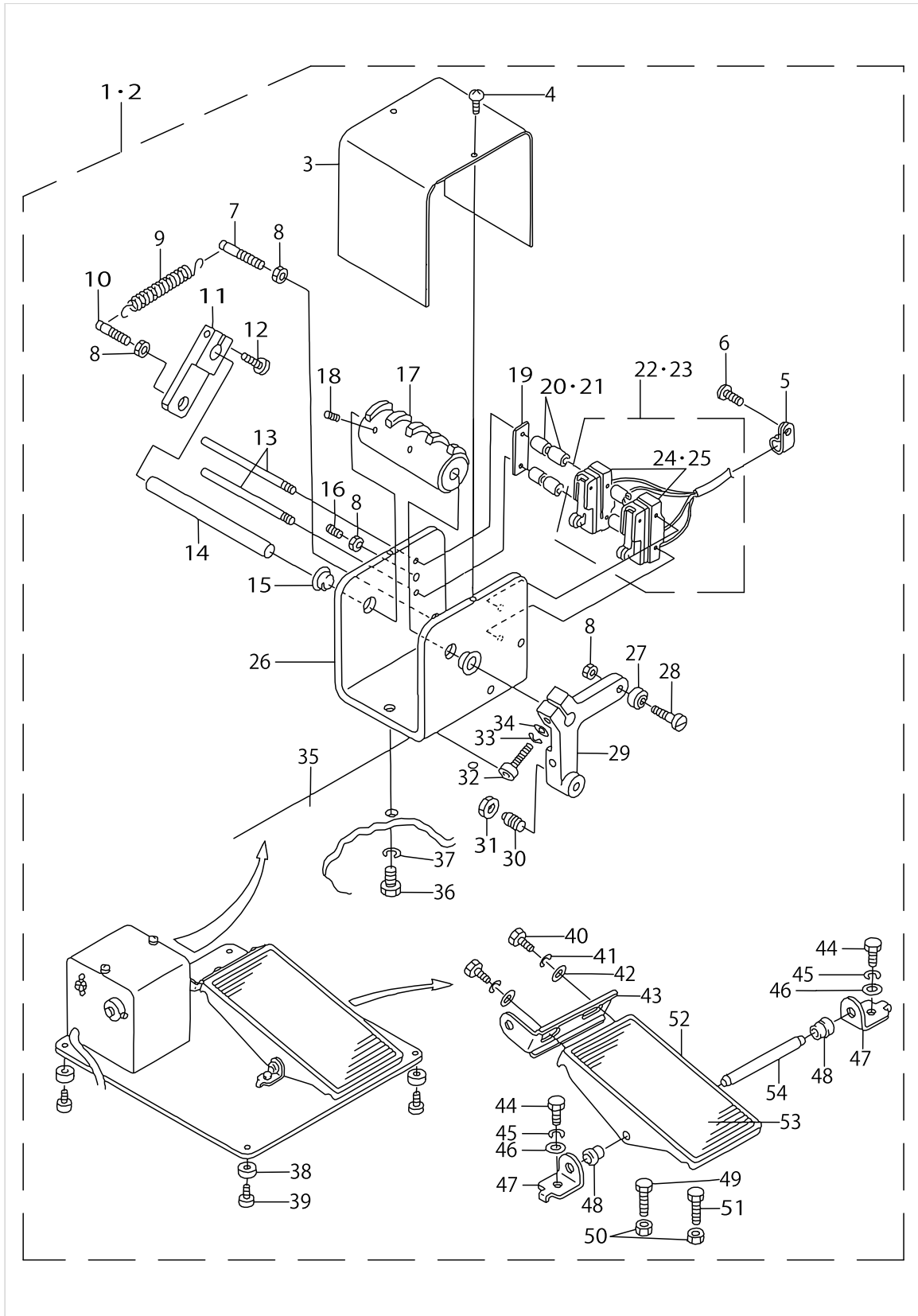
PEDAL SWITCH COMPONENTS



PEDAL SWITCH COMPONENTS

No.	Parts No.	Parts name	Remarks	Level	Cons	Qty
1	17773961	SWITCH PEDAL ASM.				1
2	17774068	SWITCH PEDAL ASM.	FOR 340N-1			1
3	G5077116A00	LIMITING BOX COVER		*		1
4	SM0040601SC	SCREW M4X0.7 L=6		*		2
5	HX00123000A	CABLE CLIP		*		1
6	SM0040601SC	SCREW M4X0.7 L=6		*		1
7	G5074116000	ANCHOR A		*		1
8	NM6060001SC	NUT M6		*		4
9	G5078116000	SWITCH SPRING		*		1
10	G5075116A00	ANCHOR		*		1
11	G5088116A00	ANCHOR ARM		*		1
12	SM6051552TP	SCREW M5 L=15		*		1
13	G5067116A00	LIMITER INSTALLATION ROD		*		2
14	G5069116A00	SHAFT		*		1
15	G5854116000	DRY BEARING		*		2
16	SM8061552TP	SCREW M6 L=15		*		1
17	G5065116A00	SWITCH DRUM		*		1
18	SM8050812TP	SCREW M5X8		*		2
19	G5087116A00	WASHER PLATE		*		1
20	G5029340000	SPACER		*		6
21	G5029340000	SPACER	FOR 340N-1	*		4
22	17773953	SWITCH CABLE ASM.		*		1
23	17774050	SWITCH CABLE ASM.	FOR 340N-1	*		1
24	HA000700000	MICROSWITCH		*		2
25	HA000700000	MICROSWITCH	FOR 340N-1	*		3
26	G5064116000	LIMITING BOX		*		1
27	G5072116000	ROLLER		*		1
28	G5073116000	ROLLER PIN		*		1
29	16749418	FOOT LEVER		*		1
30	16721102	BALL PLUNGER		*		1
31	NM6080001SC	NUT M8X1.25		*		1
32	SM6062502TP	SCREW M6 L=25		*		1
33	WS0610002KN	SPRING WASHER 6.1X12.2X1.5		*		1
34	WP0641601SC	WASHER		*		1
35	16748204	PEDAL BASE		*		1
36	SM9081553SB	SCREW M8 L=15		*		2
37	WS0820002KN	SPRING WASHER M8		*		2
38	G5840116000	RUBBER FOOT		*		4
39	SM6041002TP	SCREW M4 L=10		*		4
40	SM9062003SE	SCREW M6 L=20		*		2
41	WS0610002KN	SPRING WASHER 6.1X12.2X1.5		*		2
42	WP0641601SC	WASHER		*		2
43	GPF06080000	PEDAL ADJUSTING PLATE		*		1
44	SM6082002TP	SCREW M8 L=20		*		2
45	WS0820002KN	SPRING WASHER M8		*		2
46	WP0841600SC	WASHER		*		2
47	11159001	PEDAL SHAFT BRACKET		*		2

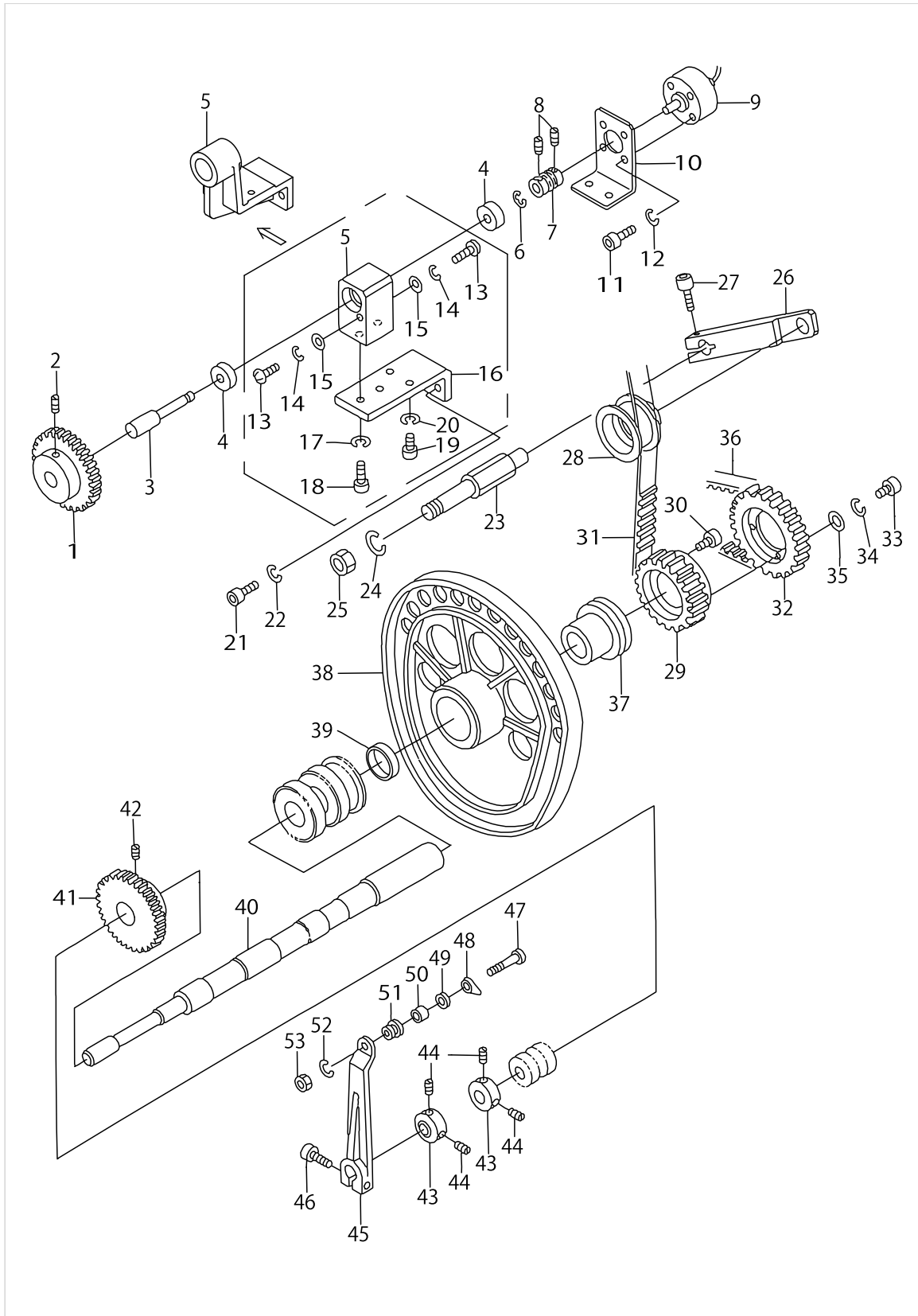
PEDAL SWITCH COMPONENTS



PEDAL SWITCH COMPONENTS

No.	Parts No.	Parts name	Remarks	Level	Cons	Qty
48	D8113555B00	PEDAL BUSHING		*		2
49	SM9065513SF	SCREW M6X55		*		1
50	NM6060001SC	NUT M6		*		2
51	SM9062003SC	SCREW M6 L=20		*		1
52	GPF06060000	PEDAL		*		1
53	GPF06070000	PEDAL MAT		*		1
54	B8153771000	PEDAL CONNECTING ROD		*		1

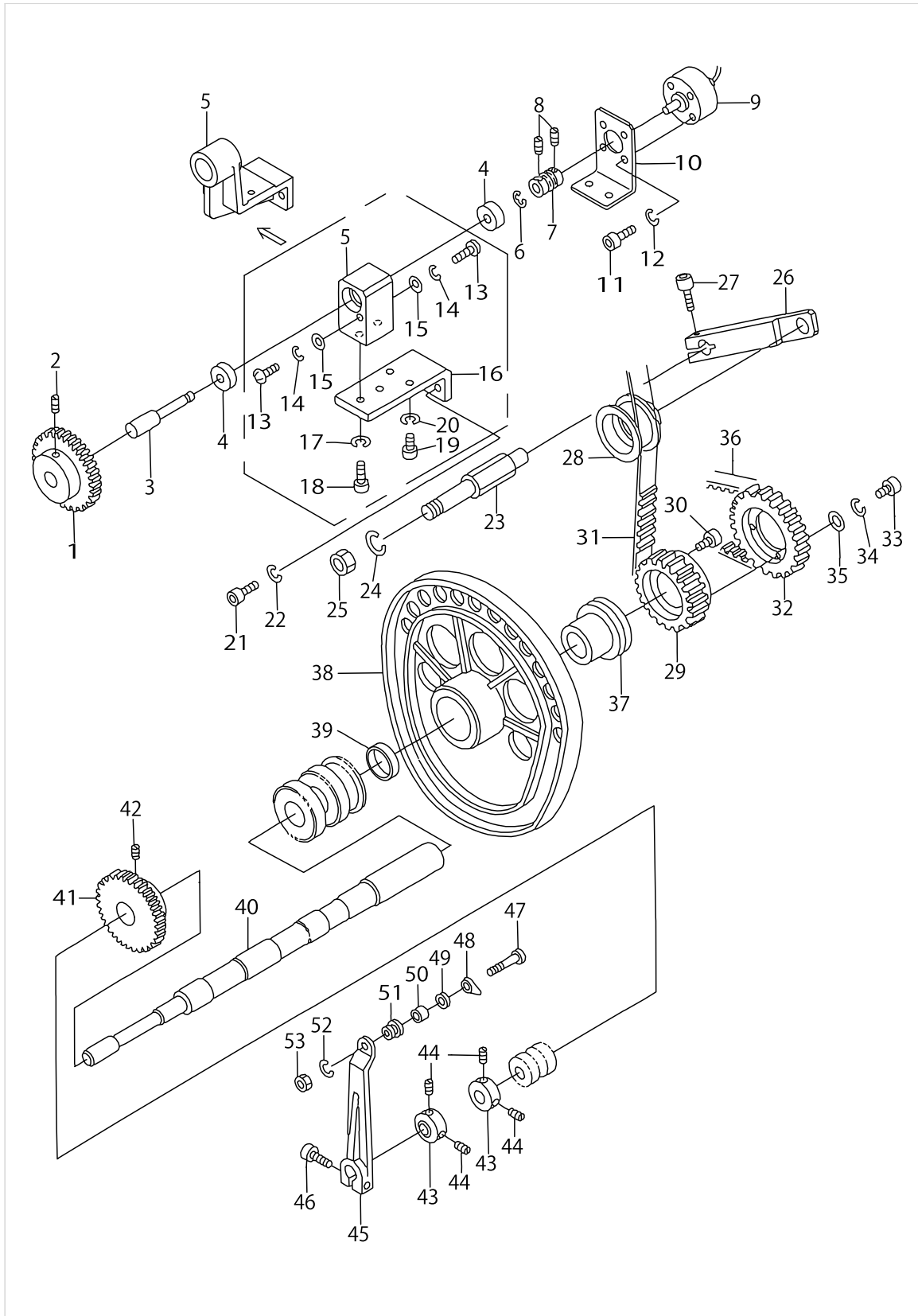
CAM, SENSOR & LOOPER COMPONENTS



CAM, SENSOR & LOOPER COMPONENTS

No.	Parts No.	Parts name	Remarks	Level	Cons	Qty
1	G5345340000	FLAT GEAR A				1
2	SM8041012TP	SCREW M4 L=10				2
3	17786906	ENCODDER SHAFT				1
4	G5261340000	BEARING				2
5	G5343340000	HOUSING				1
6	RE0500000K0	E-RING				1
7	G5358340000	COUPLING				1
8	SM8030502TP	SCREW M3 L=5				4
9	17767054	ENCODDER ASM.				1
10	17787003	ENCODDER BRACKET				1
11	SM6041202TP	SCREW M4X0.7 L=12				4
12	WS0410002KN	SPRING WASHER				4
13	SM4040801SC	SCREW M4X0.7 L=8				2
14	WS0410002KN	SPRING WASHER				2
15	WP0430800SC	WASHER M4				2
16	17786807	ENCODDER BASE				1
17	WS0410002KN	SPRING WASHER				2
18	SM6041502TP	SCREW M4X0.7 L=15				2
19	SM6041202TP	SCREW M4X0.7 L=12				2
20	WS0410002KN	SPRING WASHER				2
21	SM6051552TP	SCREW M5 L=15				2
22	WS0510002KN	SPRING WASHER				2
23	17783606	IDLER SHAFT				1
24	WS1220002KN	SPRING WASHER				1
25	NM6120001SC	NUT M12				1
26	17782608	IDLER ARM				1
27	SM6082502TP	SCREW M8 L=25				1
28	17797408	IDLER				1
29	17782301	TIMING PULLEY LOWER				1
30	SM6052502TP	SCREW M5X0.8 L=25				4
31	17797200	TIMING BELT B				1
32	17783101	CAM SHAFT PULLEY				1
33	SM6051802TP	SCREW M5 L=18				4
34	WS0510002KN	SPRING WASHER				4
35	WP0531000SC	WASHER 5.3X10X1				4
36	17797309	TIMING BELT C				1
37	17797101	MECHANICAL LOCK				1
38	17782806	CAM LOWER				1
39	G5110340000	COLLAR				1
40	17783002	CAM SHAFT LOWER				1
41	G5346340000	FLAT GEAR B				1
42	SM8041012TP	SCREW M4 L=10				2
43	G5112340000	COLLAR				2
44	SM8050602TP	SCREW M5 L=6				4
45	G5109340000	LOOPER ARM				1
46	SM6061802TP	SCREW M6 L=18				1
47	G5540340000	LOOPER SHAFT				1

# CAM, SENSOR & LOOPER COMPONENTS

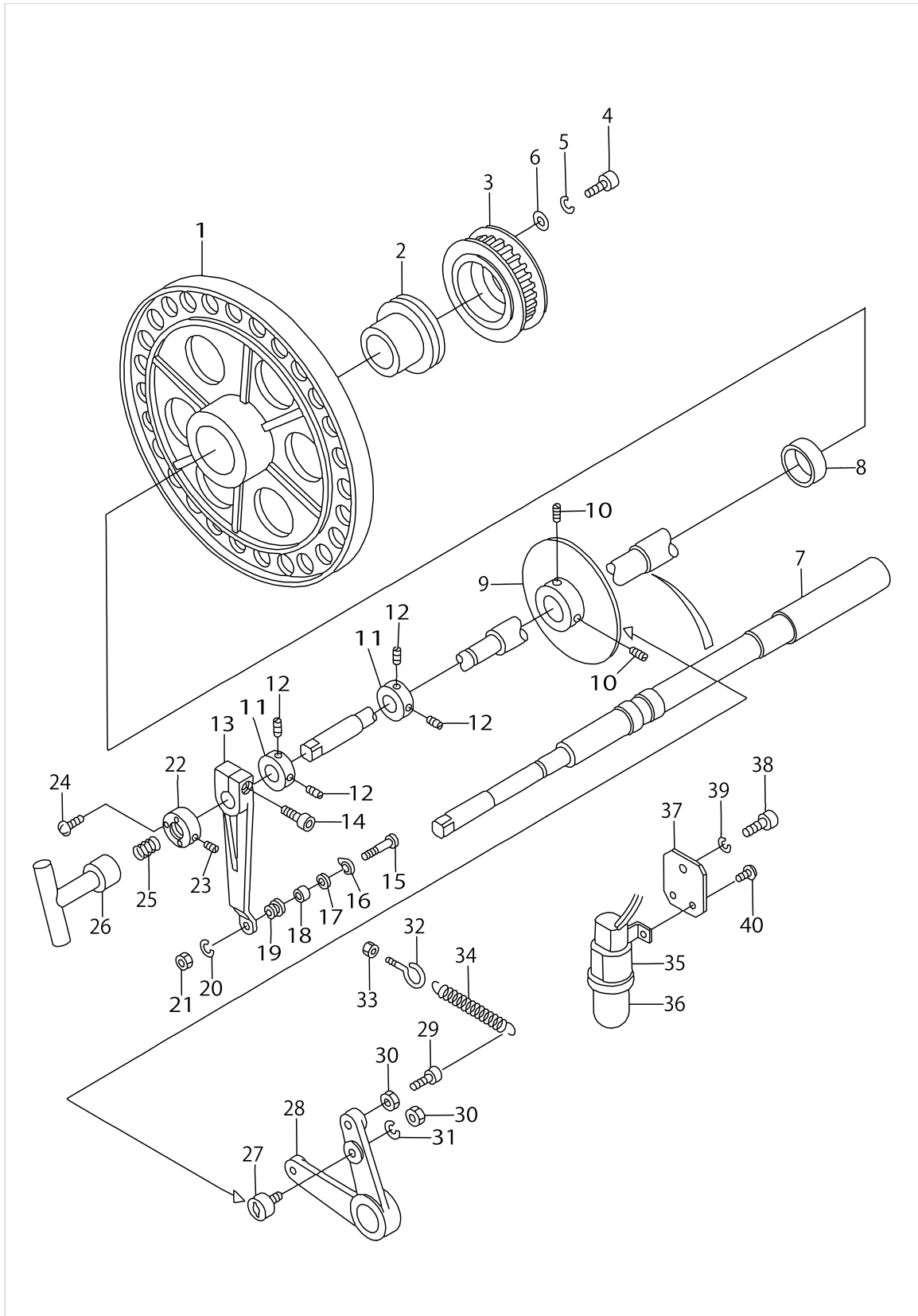


CAM, SENSOR & LOOPER COMPONENTS

No.	Parts No.	Parts name	Remarks	Level	Cons	Qty
48	G5537340000	LOOPER THREAD GUIDE				1
49	G5538340000	LOOPER GUIDE				1
50	G5539340000	LOOPER METAL				1
51	G5541340000	LOOPER SPACER				1
52	WS0310002KN	SPRING WASHER M3				1
53	NM6030001SC	NUT M3				1



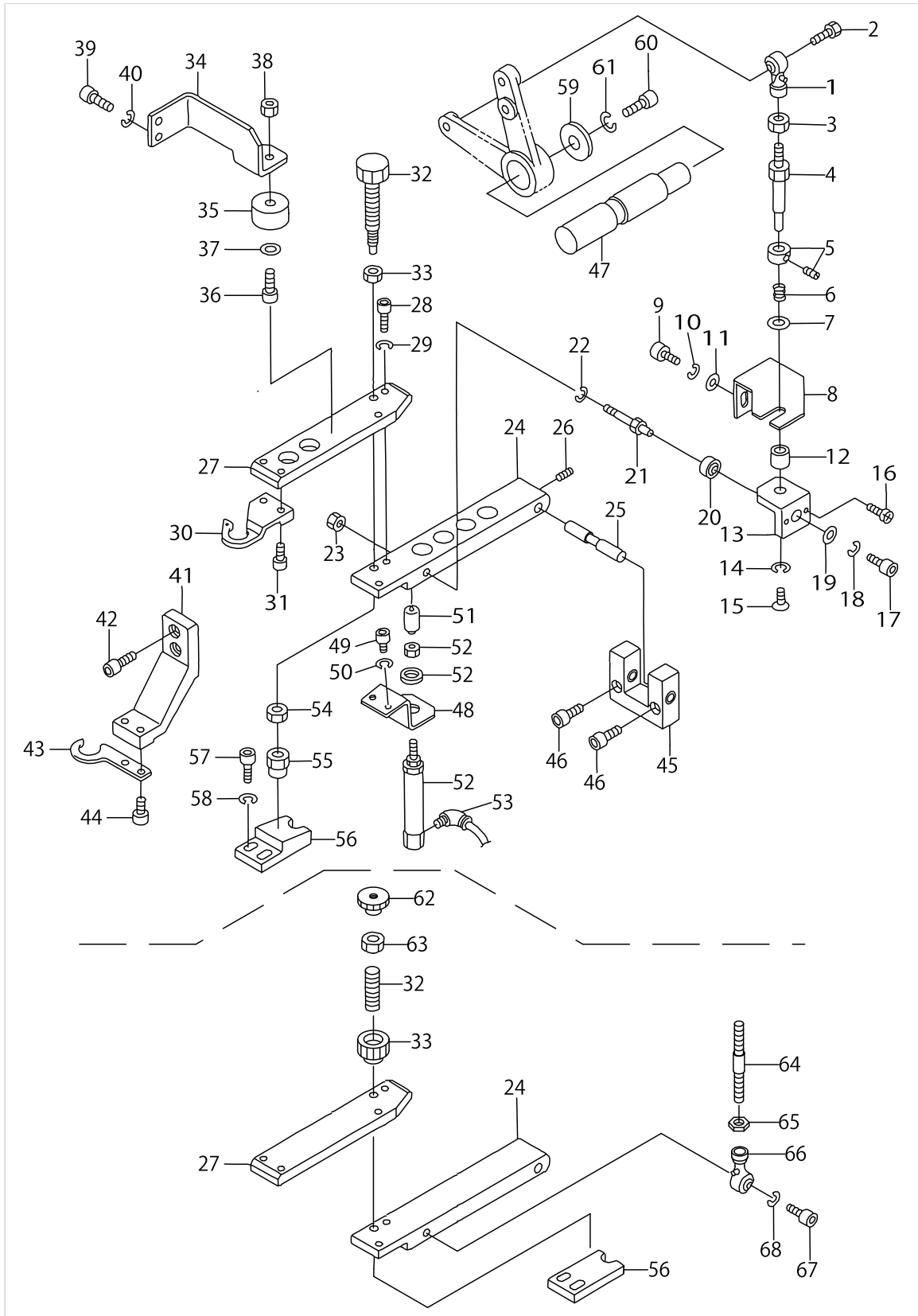
# CAM & LOOPER COMPONENTS



CAM & LOOPER COMPONENTS

No.	Parts No.	Parts name	Remarks	Level	Cons	Qty
1	17782707	CAM UPPER				1
2	17797101	MECHANICAL LOCK				1
3	17782202	TIMING PULLEY UPPER				1
4	17799206	RING				4
5	WS0510002KN	SPRING WASHER				4
6	WP0531000SC	WASHER 5.3X10X1				4
7	17782905	CAM SHAFT UPPER				1
8	G5110340000	COLLAR				1
9	G5146340000	TENSION CAM				1
10	SM8060802TP	SCREW M6 L=8				2
11	G5112340000	COLLAR				2
12	SM8050602TP	SCREW M5 L=6				8
13	G5109340000	LOOPER ARM				1
14	SM6061802TP	SCREW M6 L=18				1
15	G5540340000	LOOPER SHAFT				1
16	G5537340000	LOOPER THREAD GUIDE				1
17	G5538340000	LOOPER GUIDE				1
18	G5539340000	LOOPER METAL				1
19	G5541340000	LOOPER SPACER				1
20	WS0310002KN	SPRING WASHER M3				1
21	NM6030001SC	NUT M3				1
22	17783705	FIXING COLLAR				1
23	SM8040802TP	SCREW M4X8				2
24	SM0030601SC	SCREW M3X0.5 L=6				3
25	17783804	SPRING				1
26	16757106	WRENCH				1
27	G5179340000	CAM FOLLOWER				1
28	G5144340000	CAM ARM				1
29	SM6052002TP	SCREW M5 L=20				1
30	NM6050001SC	NUT M5				2
31	WS0510002KN	SPRING WASHER				1
32	G5147340000	SPRING ANCHOR				1
33	NM6050001SC	NUT M5				1
34	G5151340000	SPRING				1
35	A602020201B	LAMP HOLDER ASM.				1
36	HE000120000	LAMP				1
37	G5161340000	LAMP INSTALLING BRACKET				1
38	SM6061552TP	SCREW M6 L=15				1
39	WS0310002KN	SPRING WASHER M3				1
40	25152109	SCREW				2

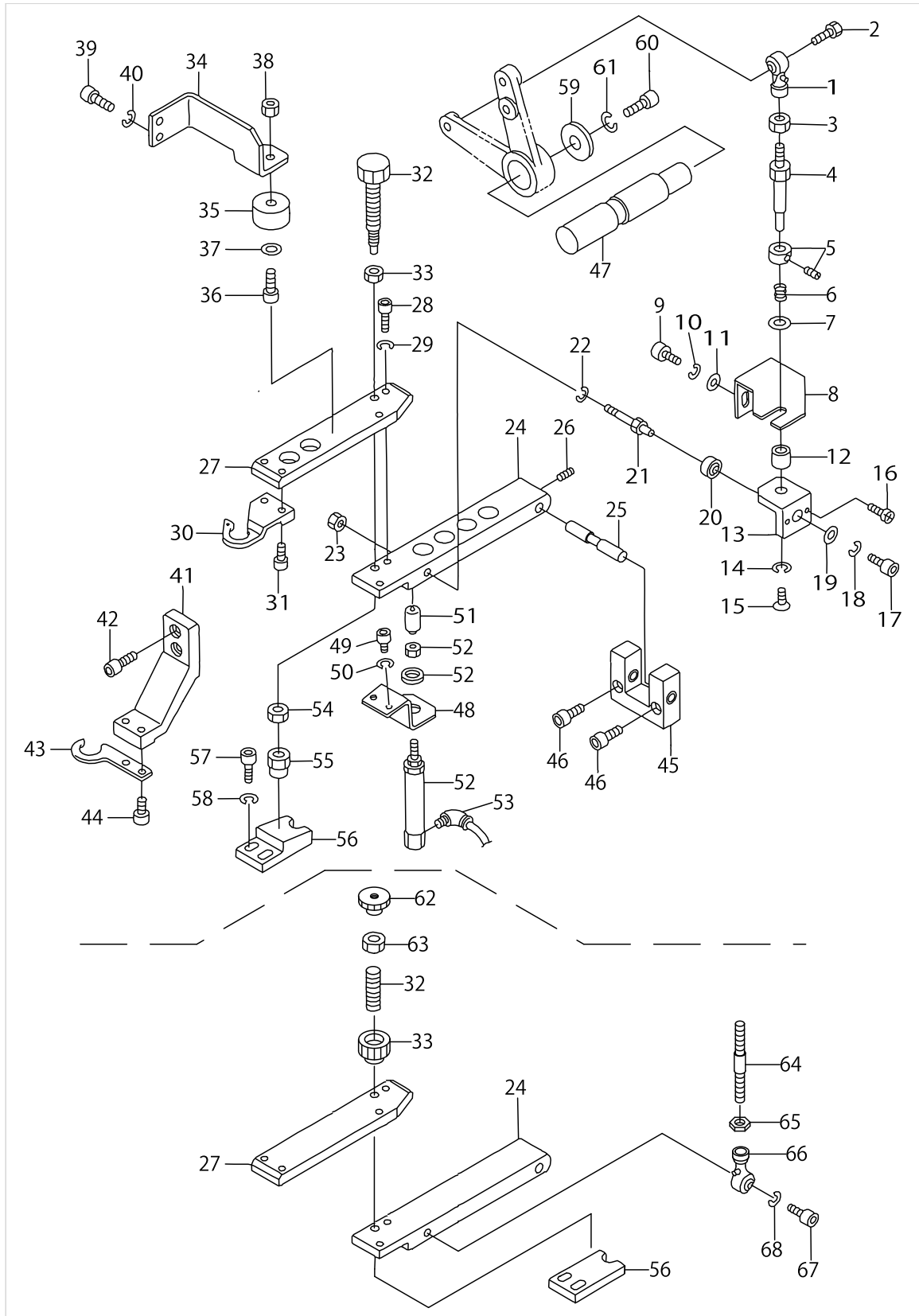
# TENSION COMPONENTS



TENSION COMPONENTS

No.	Parts No.	Parts name	Remarks	Level	Cons	Qty
1	G5180340000	JOINT A				1
2	17794108	JOINT PIN				1
3	NM6050001SC	NUT M5				1
4	17794009	JOINT SHAFT				1
5	17796608	SET COLLAR				1
6	17796707	SPRING				1
7	WP0531001SC	WASHER				1
8	17794405	SPRING BRACKET				1
9	SM6041202TP	SCREW M4X0.7 L=12				2
10	WS0410002KN	SPRING WASHER				2
11	WP0430801SC	WASHER 4.3X9X0.8				2
12	G5445340000	METAL A				1
13	17793902	SHAFT HOLDER BASE				1
14	17798802	DISH WASHER (QWE03008ZC)				1
15	17799404	DISH SCREW KDS-0308				1
16	SM0030601SC	SCREW M3X0.5 L=6				2
17	SM6031002TP	HEXAGONAL BOLT M3 X 10				1
18	WS0310002KN	SPRING WASHER M3				1
19	17798703	JOINT WASHER				1
20	17796509	JOINT				1
21	17793803	JOINT SHAFT				1
22	WS0510002KN	SPRING WASHER				1
23	NM6050001SC	NUT M5				1
24	17793605	TENSION ARM A				1
25	G5137340000	PIVOT PIN				1
26	SM8050602TP	SCREW M5 L=6				1
27	17793704	TENSION ARM B				1
28	SM6051552TP	SCREW M5 L=15				2
29	WS0510002KN	SPRING WASHER				2
30	G5578340000	TENSION PLATE UPPER				1
31	SM6041002TP	SCREW M4 L=10				2
32	17794207	ADJUSTING SCREW				1
33	17799602	ADJUSTING NUT				1
34	G5148340000	TENSION STOPPER				1
35	G5149340000	TENSION RUBBER				1
36	SM6041002TP	SCREW M4 L=10				1
37	WP0430800SC	WASHER M4				1
38	NM6040001SC	NUT M4				1
39	SM6041502TP	SCREW M4X0.7 L=15				1
40	WS0410002KN	SPRING WASHER				2
41	G5142340000	TENSION PLATE BRACKET				1
42	SM6051552TP	SCREW M5 L=15				2
43	G5141340000	TENSION PLATE LOWER				1
44	SS9091010SP	SCREW 9/64-40 L=10				2
45	G5135340000	TENSION BRACKET				1
46	SM6052002TP	SCREW M5 L=20				4
47	17784208	TENSION SHAFT				1

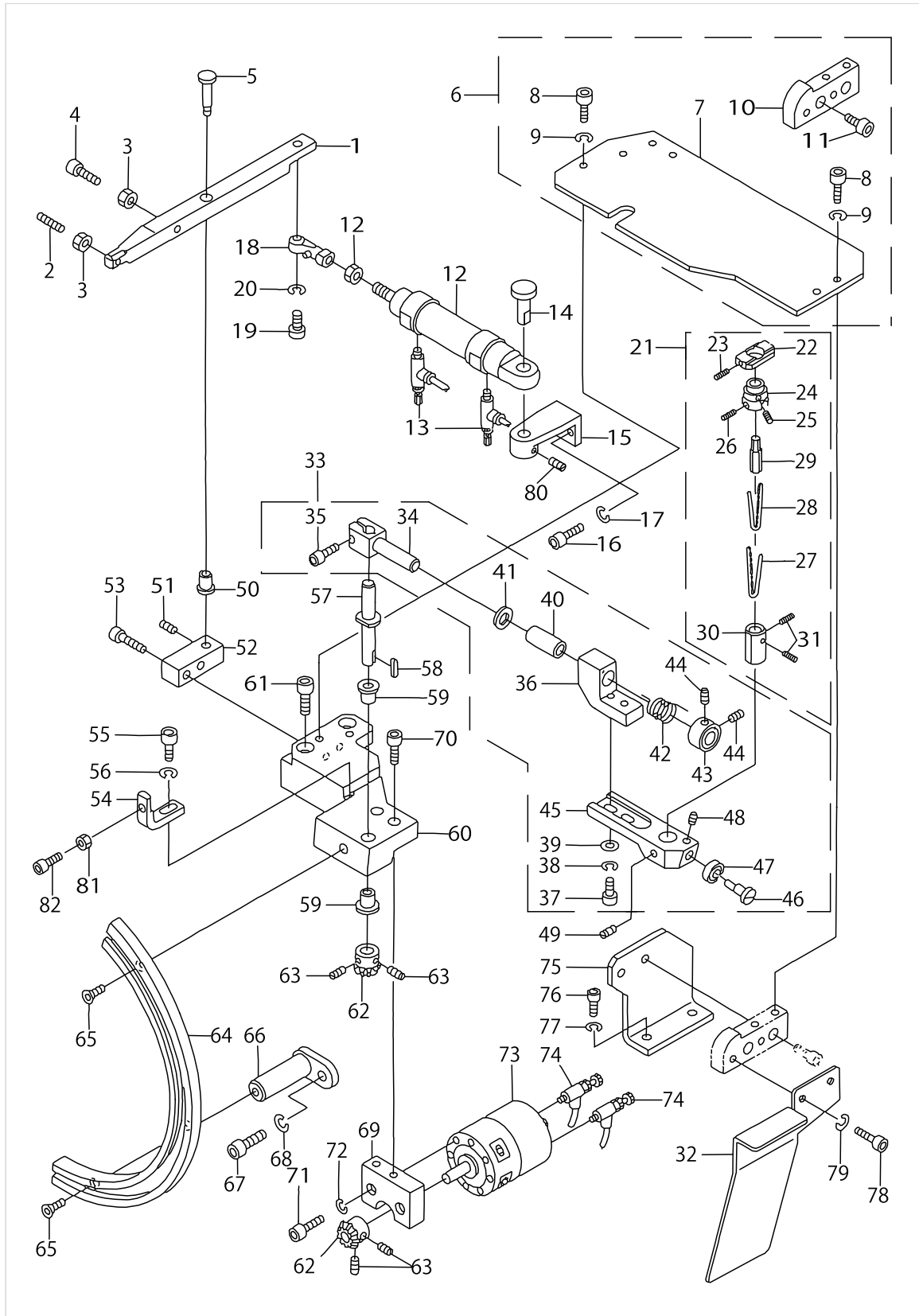
# TENSION COMPONENTS



TENSION COMPONENTS

No.	Parts No.	Parts name	Remarks	Level	Cons	Qty
48	G5152340000	CYLINDER BRACKET				1
49	SM6040802TR	SCREW M4X0.7 L=8				2
50	WS0410002KN	SPRING WASHER				2
51	G5153340000	CYLINDER EDGE				1
52	PA1601517A0	CYLINDER				1
53	PJ304040504	ELBOW UNION				1
54	NM6050003SC	NUT M5X0.8				1
55	17794306	ADJUSTING BASE				1
56	17794504	STOPPER BASE				1
57	SM6041602TP	SCREW M4X0.7 L=16				2
58	WS0410002KN	SPRING WASHER				2
59	17798000	BEARING WASHER B				1
60	SM6061552TP	SCREW M6 L=15				1
61	WS0610002KN	SPRING WASHER 6.1X12.2X1.5				1

BUTTON SUPPLY COMPONENTS

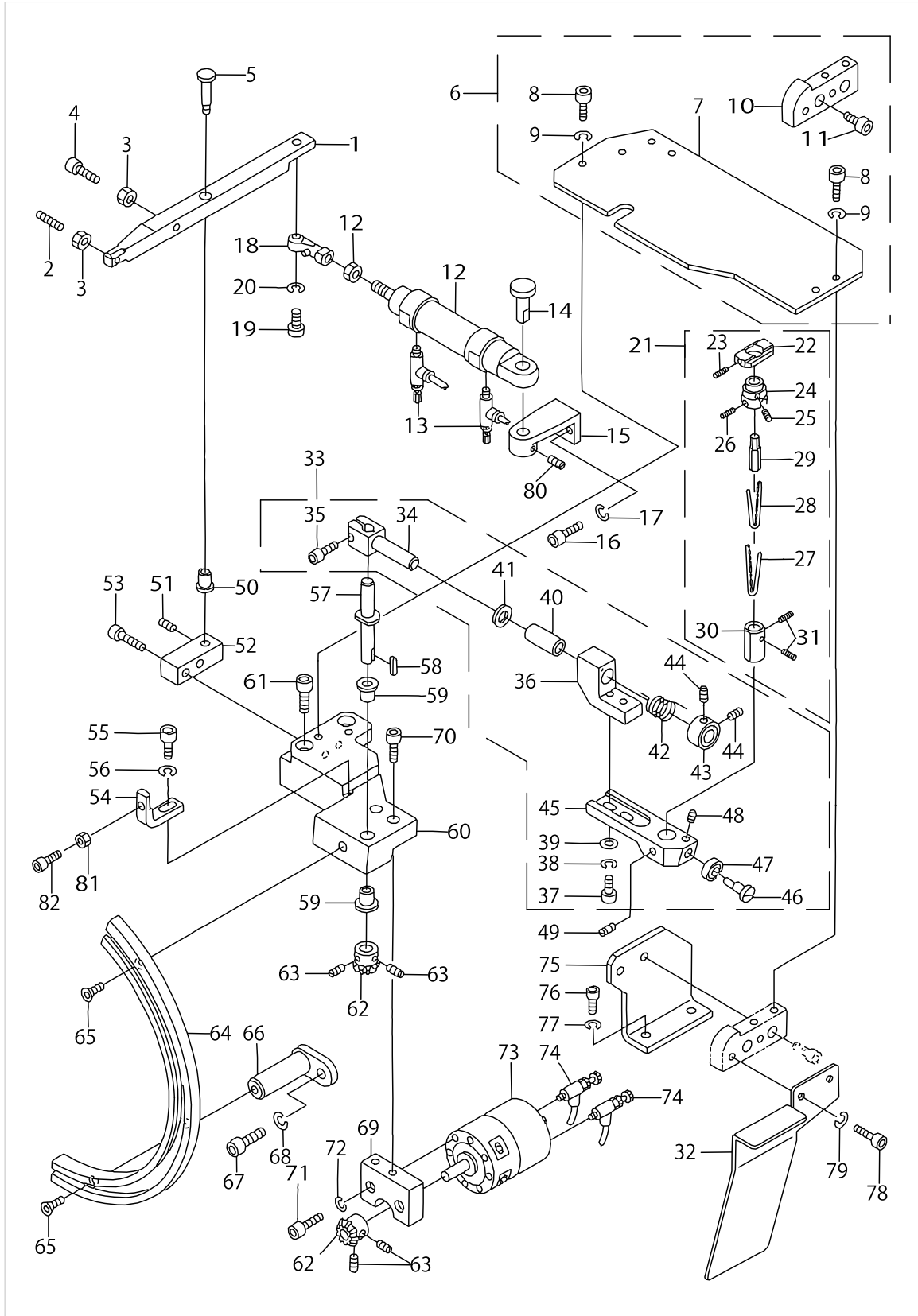


BUTTON SUPPLY COMPONENTS

No.	Parts No.	Parts name	Remarks	Level	Cons	Qty
1	G5209340000	CHUCK LEVER				1
2	SM8052002TP	SCREW M5X0.8 L=20				1
3	NM6050001SC	NUT M5				2
4	25149105					1
5	G5208340000	PIVOT PIN				1
6	G52043400A0	FEEDER TABLE ASM.				1
7	G5204340000	FEEDER TABLE		*		1
8	SM6041202TP	SCREW M4X0.7 L=12		*		4
9	WS0410002KN	SPRING WASHER		*		4
10	G5212340000	END CAM		*		1
11	SM6051202TP	SCREW M5X0.8 L=12		*		2
12	PA2002519A0	AIR CYLINDER				1
13	PC015104000	SPEED CONTROLLER				2
14	PX5000300A0	CLEVIS PIN ASM.				1
15	17784505	CYLINDER BRACKET 1				1
16	SM6051552TP	SCREW M5 L=15				2
17	WS0510002KN	SPRING WASHER				2
18	G5259340000	JOINT				1
19	SM6082002TP	SCREW M8 L=20				1
20	WS0820002KN	SPRING WASHER M8				1
21	18196550	BUTTON HOLDER ASM.				1
22	G5265340000	BUTTON HOLDER CAP		*		1
23	SM8030502TP	SCREW M3 L=5		*		1
24	G5230340000	SPACER LINK		*		1
25	SM8030502TP	SCREW M3 L=5		*		2
26	SM8040602TP	SCREW M4X0.7 L=6		*		2
27	G5228340000	HOLDING PIN A		*		1
28	G5229340000	HOLDING PIN B		*		1
29	G5227340000	BOSS B		*		1
30	G5226340000	BOSS A		*		1
31	SM8030502TP	SCREW M3 L=5		*		2
32	17784604	BUTTON DROP PLATE				1
33	G52183400A0	FEEDER SHAFT ASM.				1
34	G5218340000	FEEDER SHAFT		*		1
35	SM6051202TP	SCREW M5X0.8 L=12		*		1
36	G5221340000	BLOCK		*		1
37	SM6041202TP	SCREW M4X0.7 L=12		*		2
38	WS0410002KN	SPRING WASHER		*		2
39	WP0430800SC	WASHER M4		*		2
40	G5223340000	METAL 5		*		1
41	G5222340000	METAL 4		*		1
42	G5219340000	SPRING		*		1
43	G5220340000	SPRING SET COLLAR		*		1
44	SM8040602TP	SCREW M4X0.7 L=6		*		2
45	G5224340000	FEEDER ARM		*		1
46	G5225340000	ROLLER SHAFT		*		1
47	G5261340000	BEARING		*		1



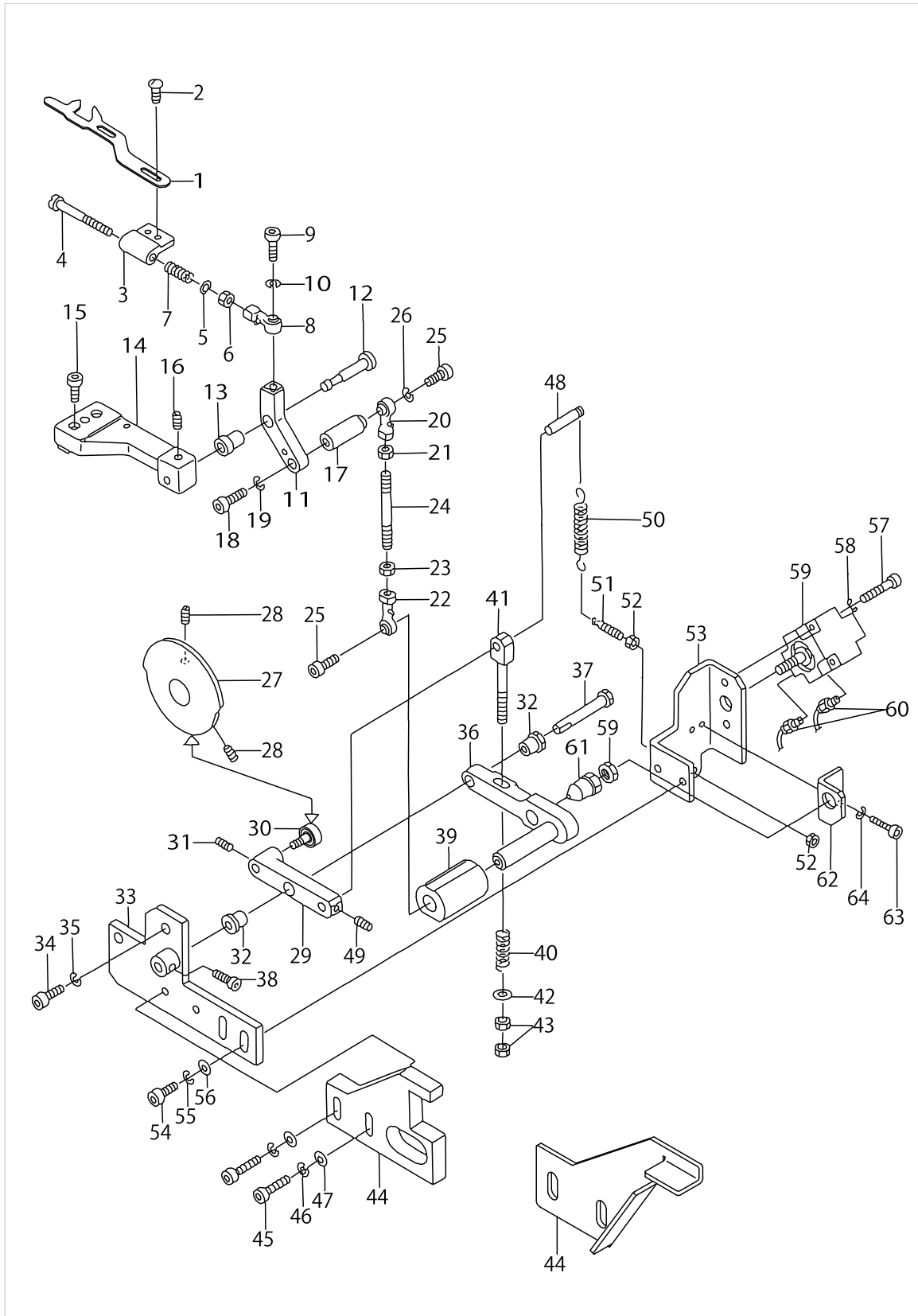
BUTTON SUPPLY COMPONENTS



BUTTON SUPPLY COMPONENTS

No.	Parts No.	Parts name	Remarks	Level	Cons	Qty
48	SM8030502TP	SCREW M3 L=5		*		1
49	SM8040602TP	SCREW M4X0.7 L=6				1
50	G5207340000	METAL 3				1
51	SM8040602TP	SCREW M4X0.7 L=6				1
52	G5206340000	BLOCK				1
53	SM6052502TP	SCREW M5X0.8 L=25				2
54	G5205340000	STOPPER				1
55	25152208	SCREW				1
56	WS0410002KN	SPRING WASHER				1
57	17777509	FEEDER PIVOT SHAFT				1
58	17779307	FEEDER PARALLEL KEY				1
59	17784802	METAL				2
60	G5201340000	FEEDER BASE				1
61	SM6062502TP	SCREW M6 L=25				2
62	G5216340000	GEAR				2
63	SM8040402TP	SCREW M4X0.7 L=4				4
64	G5130340000	LOOPER RAIL				1
65	G5178340000	SCREW				3
66	G5131340000	LOOPER RAIL SUPPORT				1
67	SM6061552TP	SCREW M6 L=15				1
68	WS0610002KN	SPRING WASHER 6.1X12.2X1.5				1
69	17784703	CYLINDER BRACKET				1
70	SM6061552TP	SCREW M6 L=15				2
71	SM6052002TP	SCREW M5 L=20				2
72	WS0510002KN	SPRING WASHER				2
73	PA800015000	ACTUATER				1
74	PC010508000	SPEED CONTROLLER				2
75	G5213340000	CAM INSTALLING PLATE				1
76	SM6061552TP	SCREW M6 L=15				2
77	WS0610002KN	SPRING WASHER 6.1X12.2X1.5				2
78	SM6051002TP	SCREW M5X0.8 L=10				2
79	WS0510002KN	SPRING WASHER				2

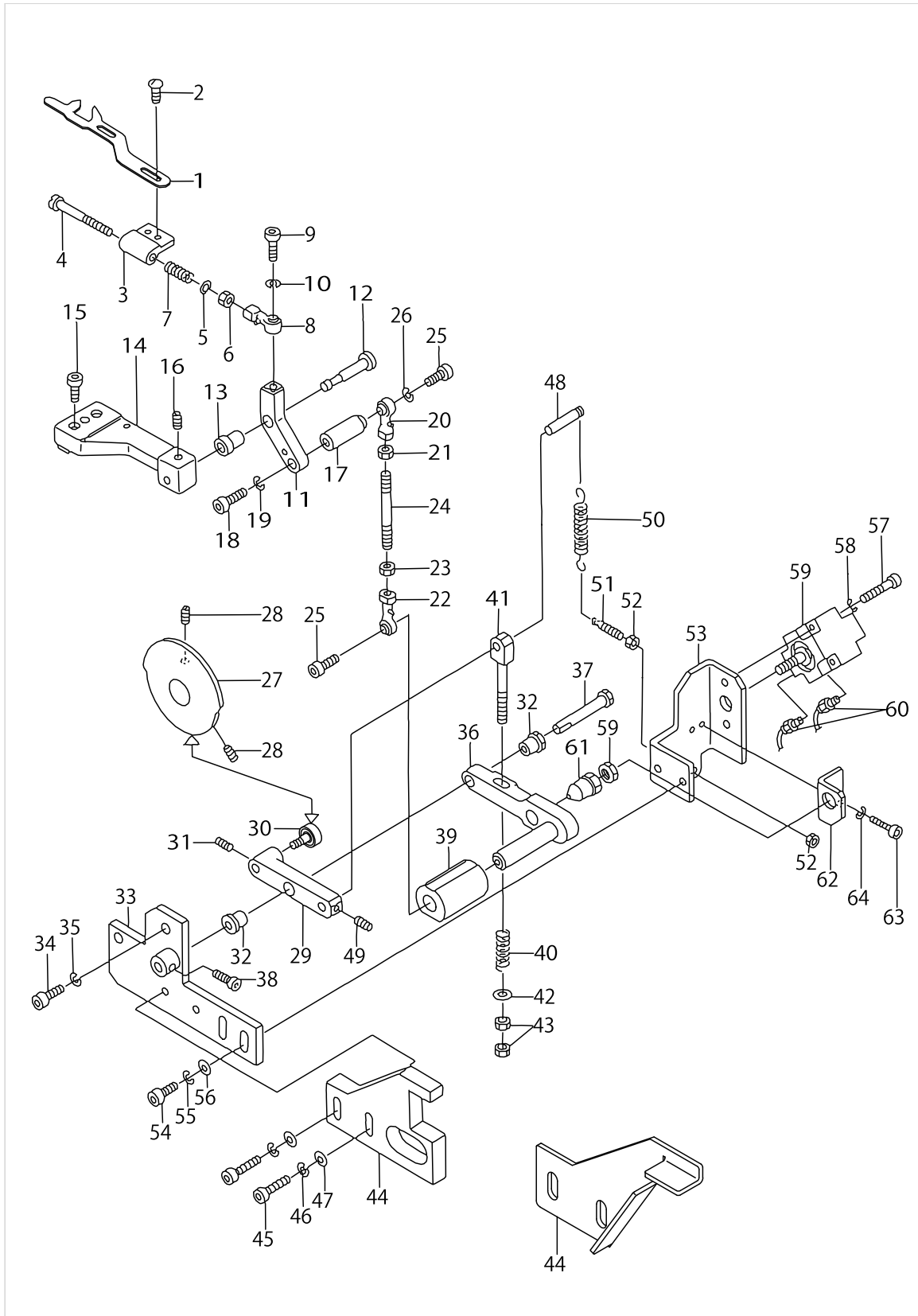
# SNAPPER COMPONENTS



SNAPPER COMPONENTS

No.	Parts No.	Parts name	Remarks	Level	Cons	Qty
1	17796103	SNAPPER				1
2	SS5090610SP	SCREW 9/64-40 L=6				2
3	G5250340000	SNAPPER BRACKET				1
4	G5256340000	SLIDE SHAFT				1
5	WP0531000SC	WASHER 5.3X10X1				1
6	NM6050001SC	NUT M5				1
7	G5257340000	SPRING				1
8	G5180340000	JOINT A				1
9	SM6051802TP	SCREW M5 L=18				1
10	WS0510002KN	SPRING WASHER				1
11	G5246340000	CONNECTING ARM				1
12	G5249340000	PIN				1
13	G5247340000	METAL 7				1
14	G5245340000	BASE PLATE				1
15	SM6041802TP	SCREW M4 L=18				2
16	SM8040802TP	SCREW M4X8				1
17	G5248340000	JOINT BAR				1
18	SM6052002TP	SCREW M5 L=20				1
19	WS0510002KN	SPRING WASHER				1
20	G5180340000	JOINT A				1
21	G5182340000	NUT A				1
22	G5181340000	JOINT B				1
23	G5183340000	NUT B				1
24	G5244340000	JOINT SHAFT				1
25	SM6051802TP	SCREW M5 L=18				2
26	WS0510002KN	SPRING WASHER				1
27	G5237340000	SNAPPER CAM				1
28	SM8050812TP	SCREW M5X8				2
29	G5238340000	ARM A				1
30	G5179340000	CAM FOLLOWER				1
31	SM8040602TP	SCREW M4X0.7 L=6				1
32	G5239340000	METAL 6				2
33	G5231340000	SNAPPER BASE PLATE				1
34	SM6062002TP	SCREW M6 L=20				2
35	WS0610002KN	SPRING WASHER 6.1X12.2X1.5				2
36	G5243340000	ARM				1
37	G5240340000	PIVOT PIN				1
38	SM6050802TP	SCREW M5X0.8 L=8				1
39	G5264340000	SNAPPER RUBBER				1
40	G5262340000	SPRING				1
41	G5241340000	STUD				1
42	WP0641601SC	WASHER				1
43	NM6060001SC	NUT M6				2
44	G5263340000	SNAPPER STOPPER				1
45	SM6052502TP	SCREW M5X0.8 L=25				2
46	WS0510002KN	SPRING WASHER				2
47	WP0531000SC	WASHER 5.3X10X1				2

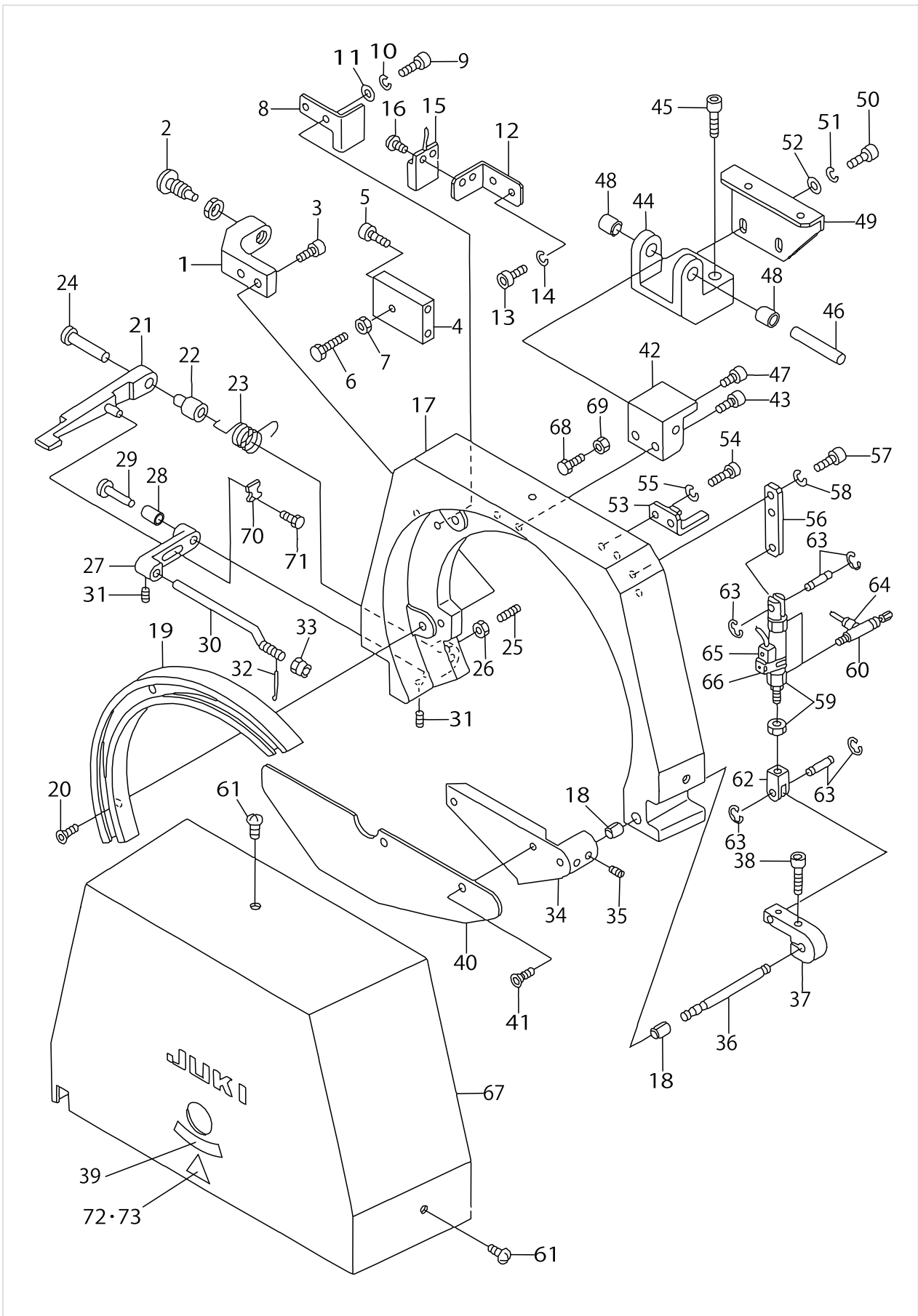
# SNAPPER COMPONENTS



## SNAPPER COMPONENTS

No.	Parts No.	Parts name	Remarks	Level	Cons	Qty
48	G5242340000	ANCHOR				1
49	SM8040602TP	SCREW M4X0.7 L=6				1
50	G5236340000	SPRING				1
51	G5235340000	ANCHOR				1
52	NM6040001SC	NUT M4				2
53	17784901	CYLINDER BASE				1
54	SM6051552TP	SCREW M5 L=15				2
55	WS0510002KN	SPRING WASHER				2
56	WP0531000SC	WASHER 5.3X10X1				2
57	SM6054002TN	SCREW M5X0.8 L=40				2
58	WS0510002KN	SPRING WASHER				2
59	PA200200200	SNAPPER CYLINDER				1
60	PJ304040504	ELBOW UNION				2
61	G5233340000	KNOCK PIN				1
62	G5267340000	KNOCK PIN GUIDE				1
63	SM6041002TP	SCREW M4 L=10				2
64	WS0410002KN	SPRING WASHER				2

LOOPER COVER COMPONENTS

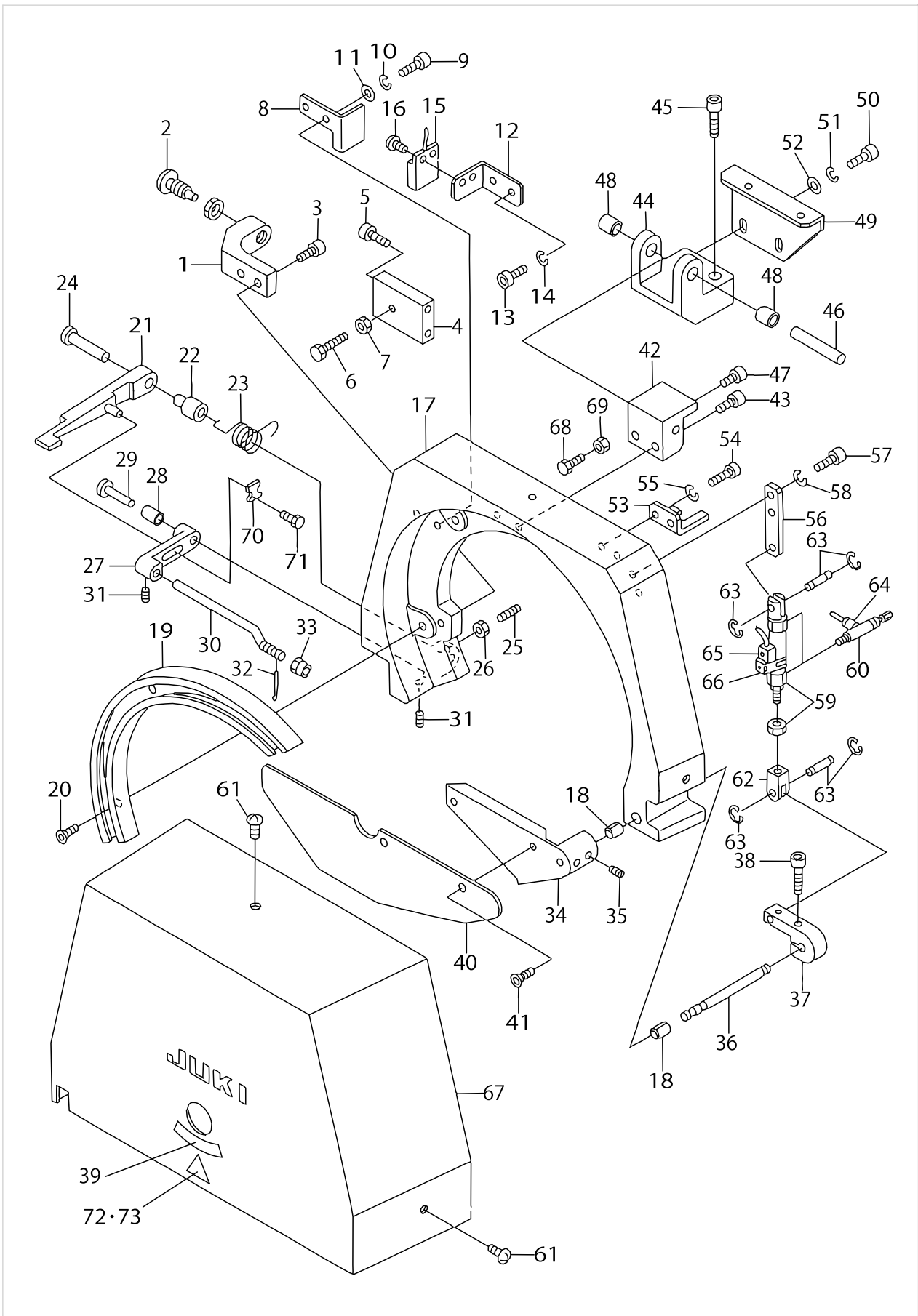


LOOPER COVER COMPONENTS

No.	Parts No.	Parts name	Remarks	Level	Cons	Qty
1	17785502	PLUNGER INSTALLING BASE				1
2	16756108	PLUNGER				1
3	SM6041202TP	SCREW M4X0.7 L=12				2
4	17785403	LOCK BASE				1
5	SM6041502TP	SCREW M4X0.7 L=15				2
6	SM9052553CP	SCREW				1
7	NM6050001SC	NUT M5				1
8	17785809	SENSOR PLATE				1
9	SM6040802TP	SCREW M4X0.7 L=8				2
10	WS0410002KN	SPRING WASHER				2
11	WP0430800SC	WASHER M4				2
12	17785700	SENSOR BRACKET				1
13	SM6041002TP	SCREW M4 L=10				2
14	WS0410002KN	SPRING WASHER				2
15	17771551	SET DETECT ASM.				1
16	SM4031201SC	SCREW M3X12				2
17	G5301340000	LOOPER COVER BASE				1
18	G5301340A00	DRY METAL				2
19	G5130340000	LOOPER RAIL				1
20	G5178340000	SCREW				2
21	G5316340000	THREADING ARM				1
22	G5317340000	METAL 8				1
23	G5325340000	SPRING				1
24	G5318340000	SHAFT B				1
25	SM8040802TP	SCREW M4X8				1
26	NM6040001SC	NUT M4				1
27	G5319340000	FEEDER ARM				1
28	G5320340000	METAL				1
29	G5321340000	PIVOT SHAFT				1
30	17785601	THREADING BAR				1
31	SM8040802TP	SCREW M4X8				2
32	G5322340000	THREADING BAR				1
33	G5324340000	LOCK NUT				1
34	G5307340000	MOVABLE COVER A				1
35	SM8040802TP	SCREW M4X8				2
36	17785304	MOVABLE COVER PIVOT PIN				1
37	G5309340000	ARM				1
38	SM6051602TP	SCREW M5X0.8 L=16				1
39	CM500200001	DIRECTION LABEL				1
40	G5311340000	MOVABLE COVER B				1
41	25149808	BOLT				2
42	17777608	CONNECTING ARM				1
43	SM6041502TP	SCREW M4X0.7 L=15				1
44	17777806	BASE PLATE				1
45	SM6051552TP	SCREW M5 L=15				2
46	17779604	PARALLEL PIN				1
47	SM6040802TP	SCREW M4X0.7 L=8				1



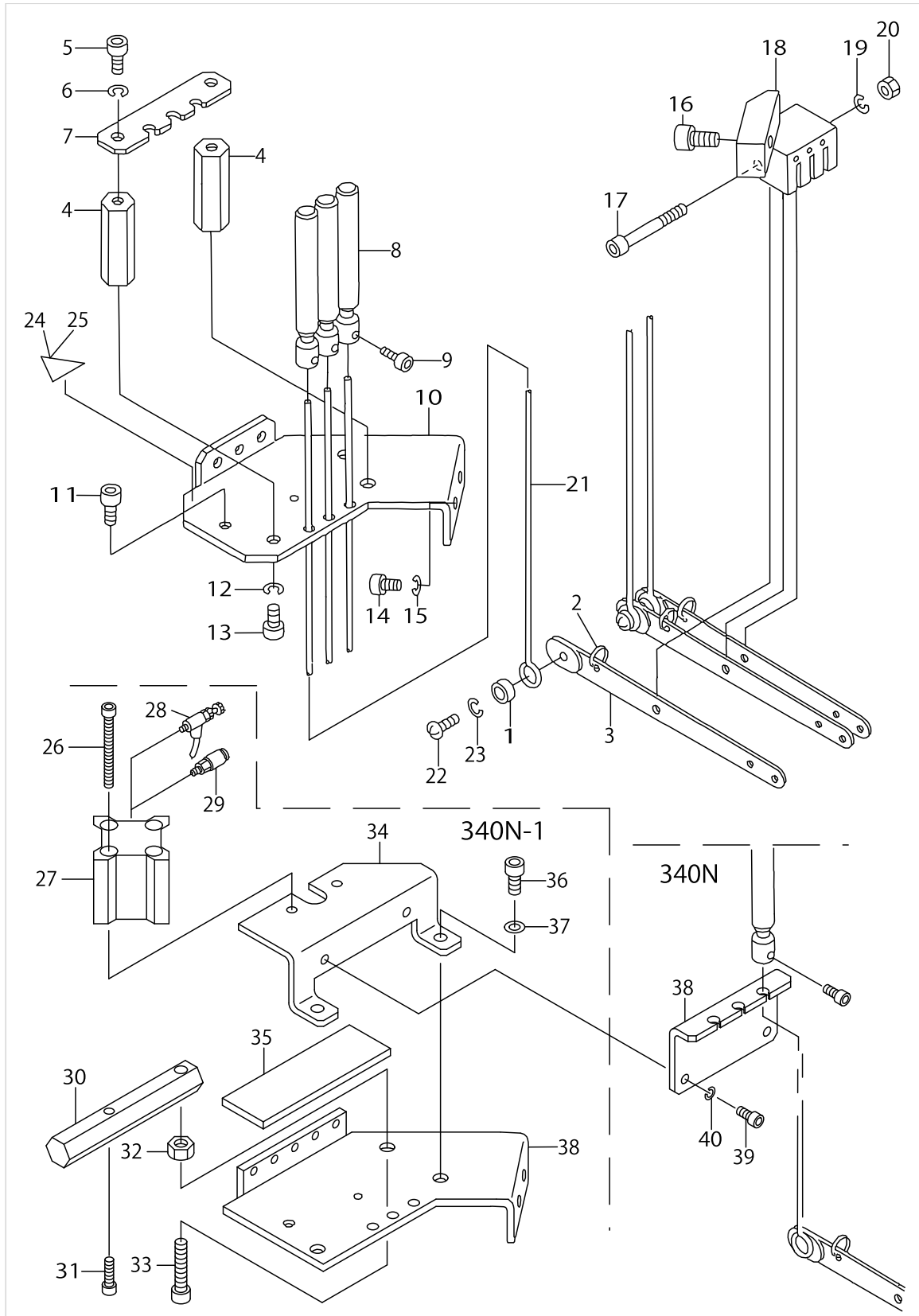
LOOPER COVER COMPONENTS



LOOPER COVER COMPONENTS

No.	Parts No.	Parts name	Remarks	Level	Cons	Qty
48	17779000	METAL				2
49	G5305340000	COVER FIXING BASE				1
50	SM6051002TP	SCREW M5X0.8 L=10				2
51	WS0510002KN	SPRING WASHER				2
52	WP0531000SC	WASHER 5.3X10X1				2
53	17786401	LOCK BRACKET				1
54	SM6051202TP	SCREW M5X0.8 L=12				2
55	WS0510002KN	SPRING WASHER				2
56	G5310340000	CYLINDER BRACKET				1
57	SM6041502TP	SCREW M4X0.7 L=15				2
58	WS0410002KN	SPRING WASHER				2
59	PA1601010A0	CYLINDER				1
60	PC010508000	SPEED CONTROLLER				2
61	SM0050801SC	SCREW				3
62	PX500020000	KNUCKLE JOINT				1
63	PX5000280A0	PIN				1
64	G5582340000	COIL TUBE				2
65	17771650	DETECT CABLE ASM.				1
66	PX5000480A0	SWITCH FITTING METAL				1
67	17785908	LOOPER COVER				1
68	SM9052003SC	SCREW M5 L=20				1
69	NM6050001SC	NUT M5				1
70	17777905	LEVER STOPPER				1
71	SS7080820SP	SCREW 1/8-44 L=7.7				2
72	CM3002000D1	LABEL(16)	FOR JAPAN			1
73	CM300200001	ATTENTION SEAL	FOR EXPORT			1

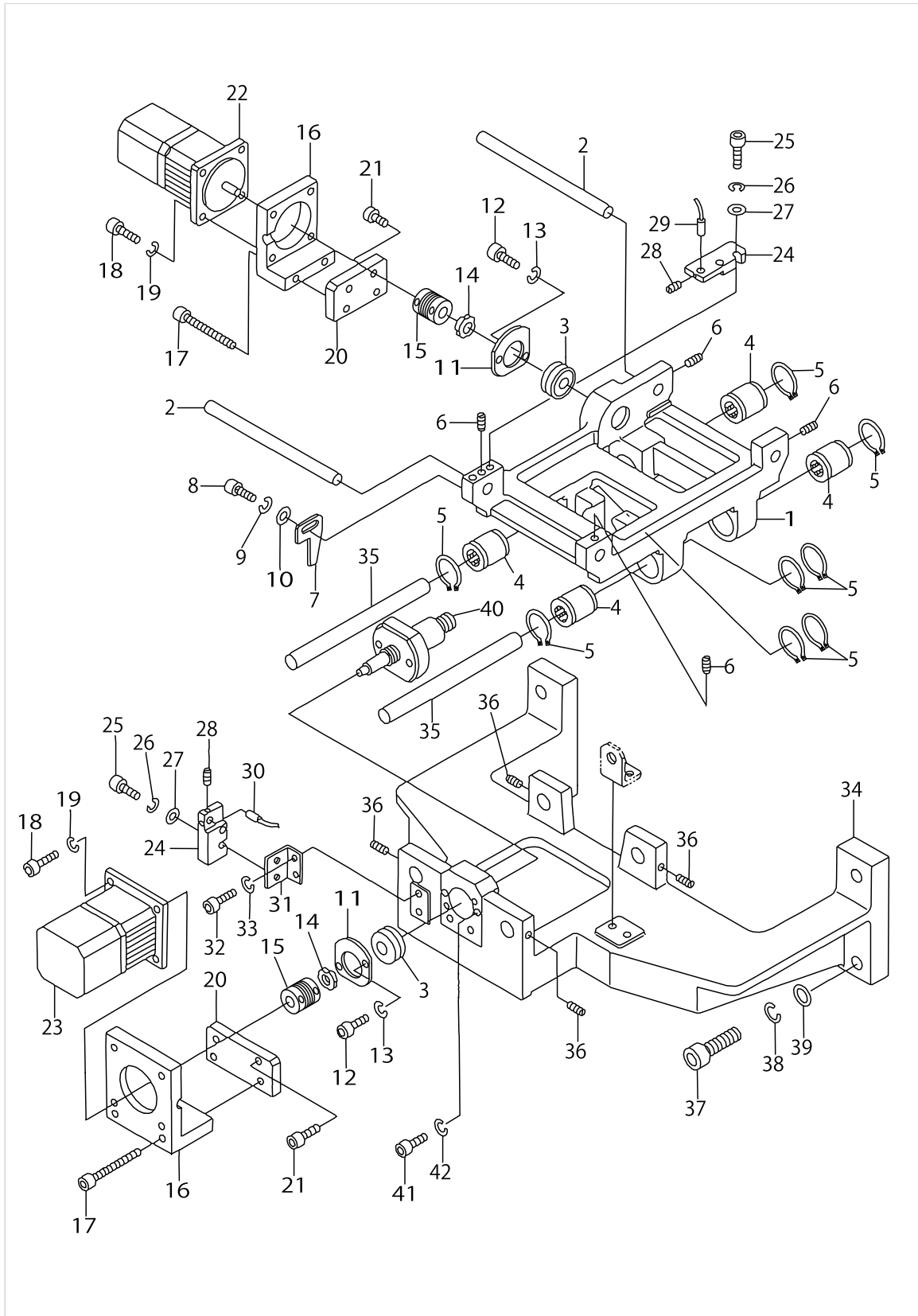
# THREAD GUIDE COMPONENTS



THREAD GUIDE COMPONENTS

No.	Parts No.	Parts name	Remarks	Level	Cons	Qty
1	G5336340000	COLLAR				3
2	G5338340000	THREAD GUIDE RING				3
3	G5337340000	THREAD GUIDE PLATE				3
4	G5329340000	STUD				2
5	SM6041002TP	SCREW M4 L=10				2
6	WS0410002KN	SPRING WASHER				2
7	G5330340000	GRIP HOLDER PLATE				1
8	G5334340000	GRIP				3
9	SM6030402TP	SCREW M3X0.5 L=4				3
10	G5328340000	BASE				1
11	SM6040602TP	SCREW M4 L=6				2
12	WS0410002KN	SPRING WASHER				2
13	SM6041002TP	SCREW M4 L=10				2
14	SM6040802TP	SCREW M4X0.7 L=8				2
15	WS0410002KN	SPRING WASHER				2
16	SM6061202TP	SCREW M6 L=12				1
17	SM6043202TP	SCREW M4X0.7 L=32				1
18	G5339340000	THREAD GUIDE BASE				1
19	WS0410002KN	SPRING WASHER				1
20	NM6040001SC	NUT M4				1
21	G5335340000	BAR				3
22	SM3040601SC	SCREW M4X0.7 L=6				3
23	WS0410002KN	SPRING WASHER				3
24	CM3002000B1	LABEL(16)	FOR JAPAN			1
25	CM300200001	ATTENTION SEAL	FOR EXPORT			1

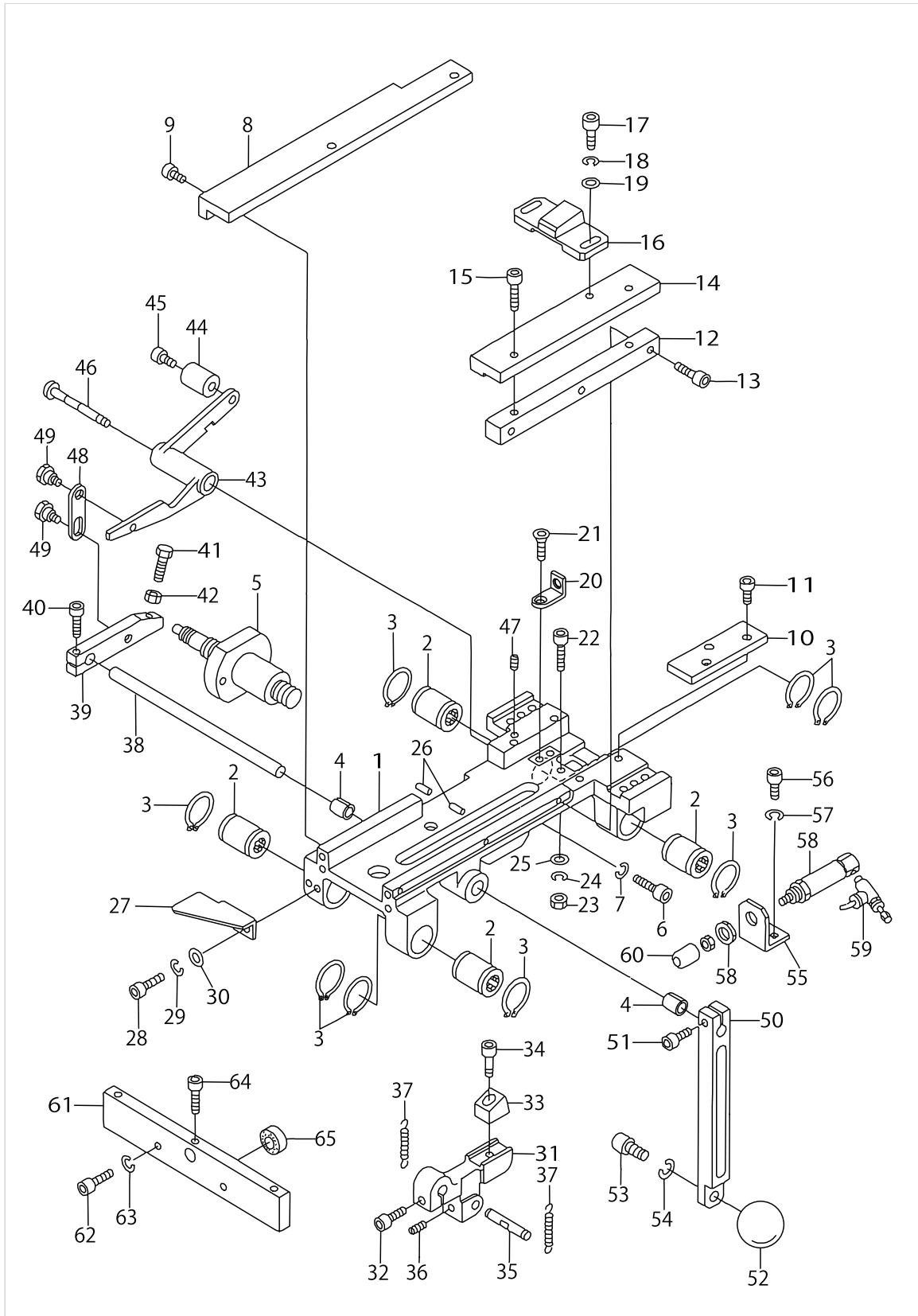
# X-Y TABLE COMPONENTS



X-Y TABLE COMPONENTS

No.	Parts No.	Parts name	Remarks	Level	Cons	Qty
1	17785007	X-Y TABLE INTERMEDIATE				1
2	G5485340000	STRAIGHT SHAFT				2
3	17798109	SHAFT HOLDER				2
4	G5486340000	SLIDE BEARING				4
5	G5487340000	RETAINING RING				8
6	SM8040602TP	SCREW M4X0.7 L=6				4
7	G5430340000	SENSOR PLATE Y				1
8	SM6040802TP	SCREW M4X0.7 L=8				2
9	WS0410002KN	SPRING WASHER				2
10	WP0430800SC	WASHER M4				2
11	17787102	BEARING PRESSER PLATE				2
12	SM6041002TP	SCREW M4 L=10				4
13	WS0410002KN	SPRING WASHER				4
14	G5491340000	U-SHAPED NUT				2
15	18199703	COUPLING				2
16	18199505	MOTOR INSTALLING PLATE (N)				2
17	SM6053002TP	SCREW M5X0.8 L=30				4
18	SM6041802TP	SCREW M4 L=18				8
19	WS0410002KN	SPRING WASHER				8
20	17786708	MOTOR INSTALLING PLATE B				2
21	SM6051552TP	SCREW M5 L=15				4
22	17770355	X SHAFT MOTOR ASM.				1
23	17770454	Y SHAFT MOTOR ASM.				1
24	17788001	SENSOR INSTALLING PLATE A				2
25	SM6041202TP	SCREW M4X0.7 L=12				4
26	WS0410002KN	SPRING WASHER				4
27	WP0430800SC	WASHER M4				2
28	SM8030502TP	SCREW M3 L=5				2
29	17771858	SENROR CABLE ASM.				1
30	17771759	SENSOR CABLE ASM.				1
31	17788100	SENSOR INSTALLING PLATE B				1
32	SM6041002TP	SCREW M4 L=10				2
33	WS0410002KN	SPRING WASHER				2
34	17777400	X-Y TABLE LOWER				1
35	G5483340000	STRAIGHT SHAFT				2
36	SM8040602TP	SCREW M4X0.7 L=6				4
37	SM6104002TP	SCREW				4
38	WS1020002KN	SPRING WASHER M10				4
39	WP1002036SC	WASHER 10.0X21.0X2.0				4
40	17785205	SCREW				1
41	SM6042502TP	SCREW M4X0.7 L=25				2
42	WS0410002KN	SPRING WASHER				2

X-Y TABLE & TONGS RETURN COMPONENTS

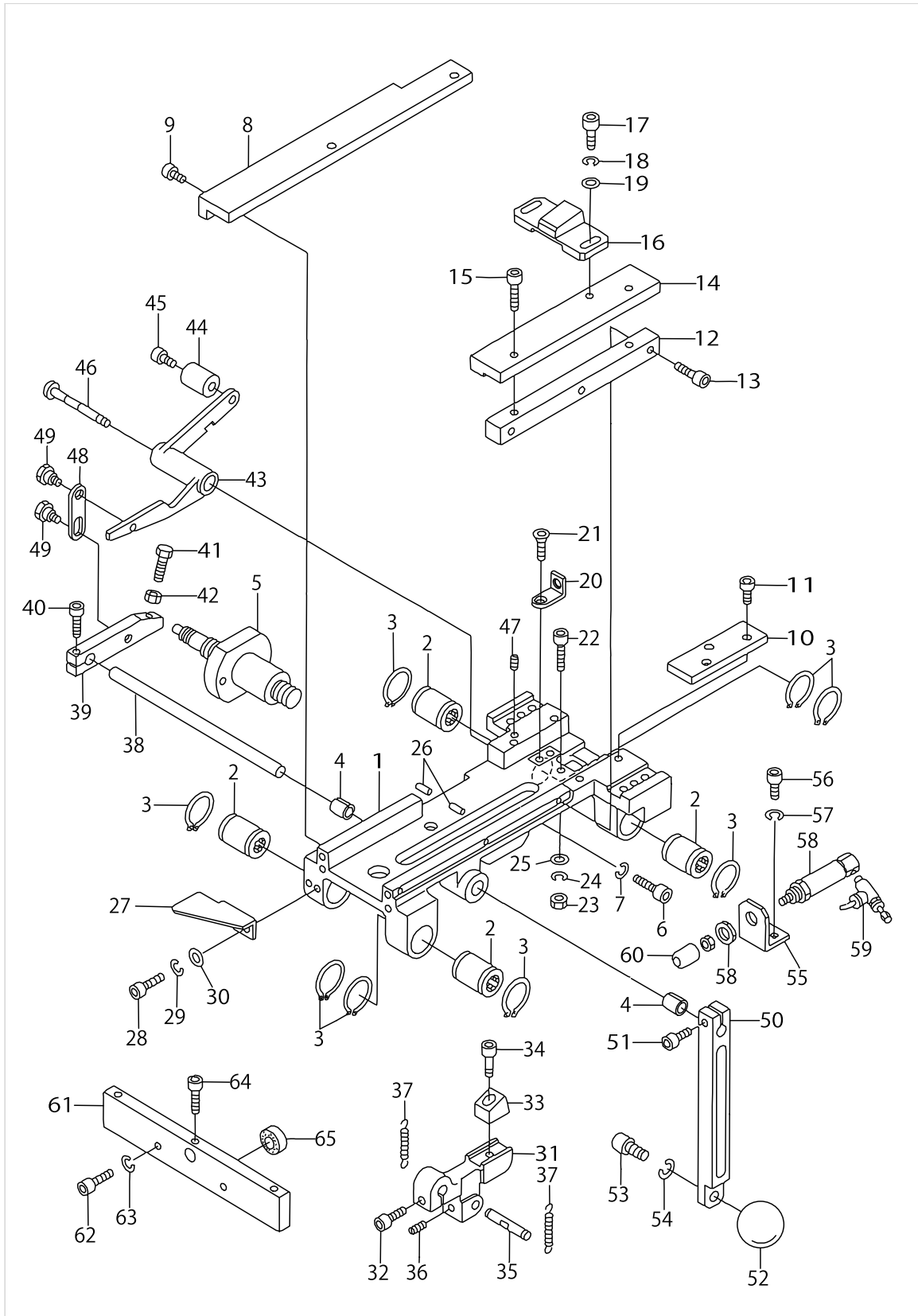


X-Y TABLE & TONGS RETURN COMPONENTS

No.	Parts No.	Parts name	Remarks	Level	Cons	Qty
1	17785114	X-Y TABLE UPPER				1
2	G5488340000	SLIDE BEARING				4
3	G5489340000	RETAINING RING				8
4	G5490340000	DRY METAL				2
5	17785205	SCREW				1
6	SM6042502TP	SCREW M4X0.7 L=25				2
7	WS0410002KN	SPRING WASHER				2
8	17787706	GUIDE LEFT				1
9	SM6041402TP	SCREW M4 L=14				3
10	17787508	GUIDE RIGHT UPPER FRONT				1
11	SM6041002TP	SCREW M4 L=10				2
12	17787409	GUIDE RIGHT LOWER				1
13	SM6041402TP	SCREW M4 L=14				3
14	17787607	GUIDE RIGHT UPPER REAR				1
15	SM6041002TP	SCREW M4 L=10				2
16	17789207	TONGS JUMPING PLATE				1
17	SM6041402TP	SCREW M4 L=14				2
18	WS0410002KN	SPRING WASHER				2
19	WP0430800SC	WASHER M4				2
20	17776709	SPRING HOLDER PLATE				2
21	17796301	SCREW				2
22	SM6041602TP	SCREW M4X0.7 L=16				1
23	NM6040001SC	NUT M4				1
24	WS0410002KN	SPRING WASHER				1
25	WP0430801SC	WASHER 4.3X9X0.8				1
26	G5415340000	ANCHOR				2
27	G5429340000	SENSOR PLATE X				1
28	SM6040802TP	SCREW M4X0.7 L=8				2
29	WS0410002KN	SPRING WASHER				2
30	WP0430800SC	WASHER M4				2
31	G5416340000	STOPPER BASE				1
32	SM6051802TP	SCREW M5 L=18				1
33	G5417340000	STOPPER				1
34	SM6051552TP	SCREW M5 L=15				1
35	G5418340000	ANCHOR				1
36	SM8040602TP	SCREW M4X0.7 L=6				1
37	G5421340000	SPRING				2
38	G5419340000	SHAFT				1
39	G5420340000	STOPPER LEVER				1
40	SM6051602TP	SCREW M5X0.8 L=16				1
41	SM9052003SD	SCREW M5X0.8 L=20				1
42	NM6050001SC	NUT M5				1
43	G5422340000	WORKPIECE PRESSER LEVER				1
44	G5424340000	BUSHING				1
45	SM6051002TP	SCREW M5X0.8 L=10				1
46	17787904	WORKPIECE PRESSER SHAFT				1
47	SM8041012TP	SCREW M4 L=10				1



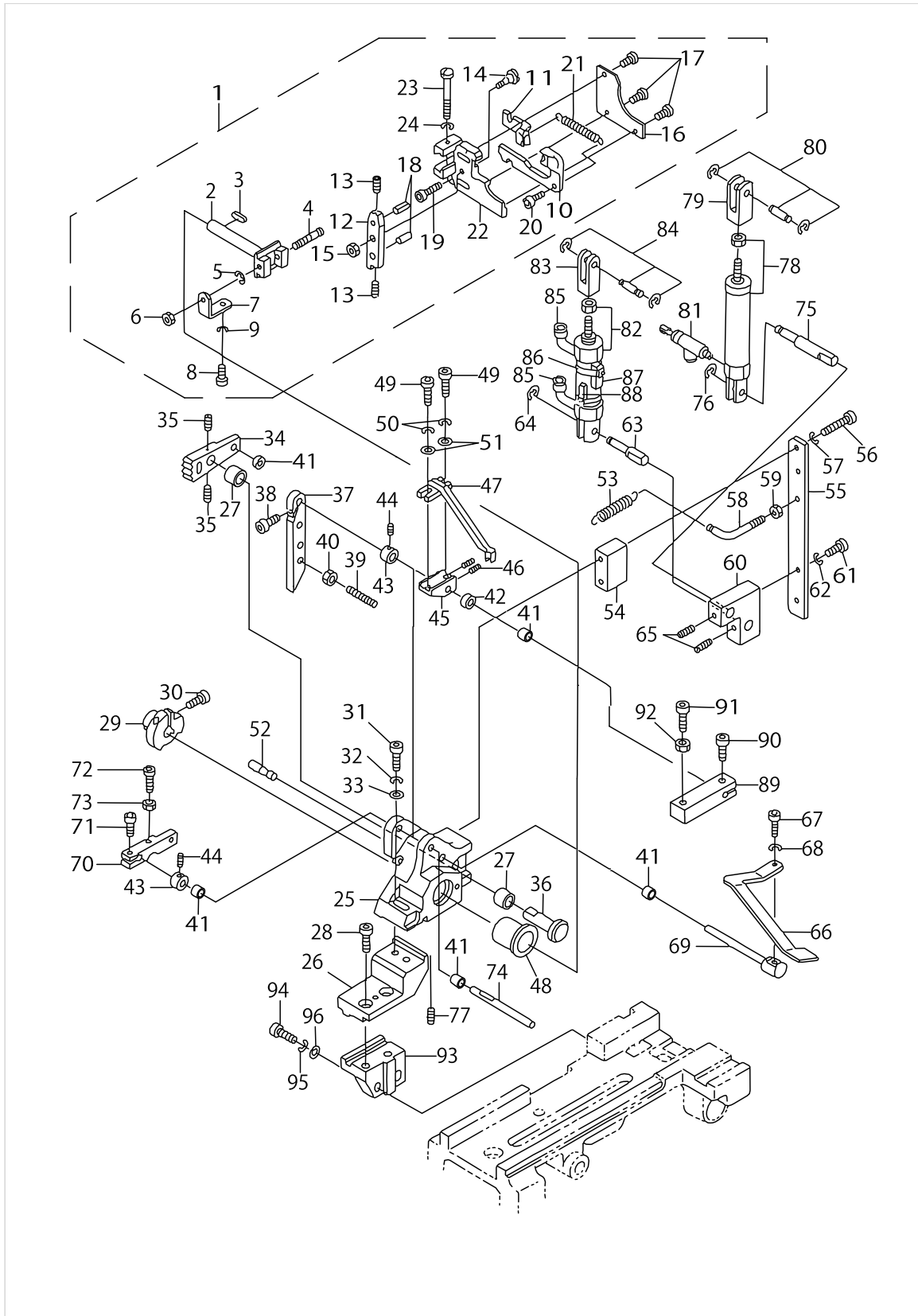
X-Y TABLE & TONGS RETURN COMPONENTS



X-Y TABLE & TONGS RETURN COMPONENTS

No.	Parts No.	Parts name	Remarks	Level	Cons	Qty
48	17795006	RETURN PLATE				1
49	17795105	SCREW				2
50	G5432340000	TONGS RETURN LEVER				1
51	SM6051602TP	SCREW M5X0.8 L=16				1
52	G5837116000	GRIP				1
53	SM6082002TP	SCREW M8 L=20				1
54	WS0820002KN	SPRING WASHER M8				1
55	17791005	CYLINDER BASE				1
56	SM6041202TP	SCREW M4X0.7 L=12				2
57	WS0410002KN	SPRING WASHER				2
58	PA1601517A0	CYLINDER				1
59	PC010507000	SPEED CONTROLLER				1
60	G5153340000	CYLINDER EDGE				1
61	17787201	COVER INSTALLING PLATE				1
62	SM6041802TP	SCREW M4 L=18				2
63	WS0410002KN	SPRING WASHER				2
64	SM6042002TP	SCREW M4X0.7 L=20				1
65	G5410340000	RUBBER CUSHION				1

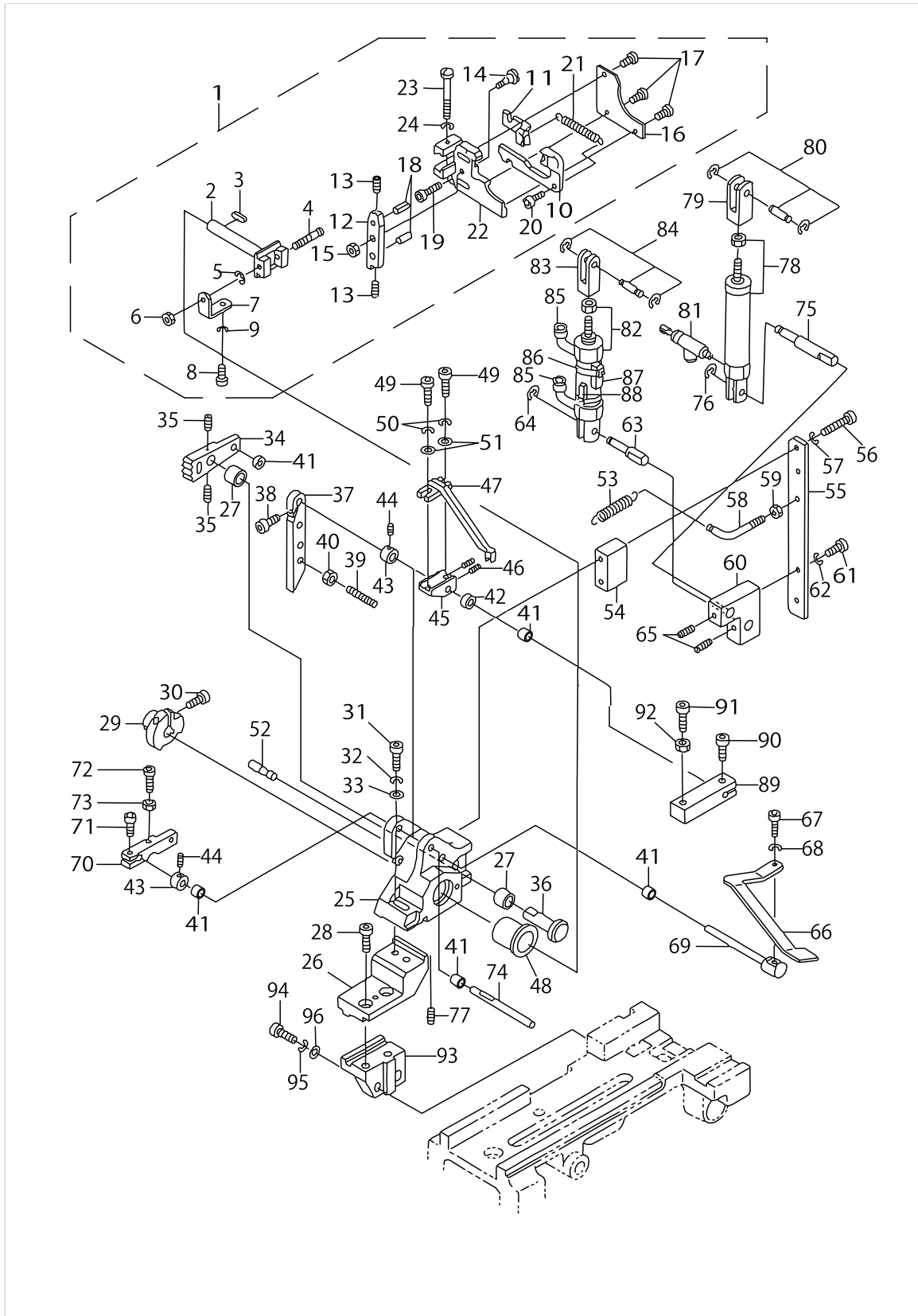
# BUTTON CHUCK COMPONENTS



BUTTON CHUCK COMPONENTS

No.	Parts No.	Parts name	Remarks	Level	Cons	Qty
1	17784067	BUTTON CHUCK ASM.				1
2	17778606	TURN OVER SHAFT		*		1
3	G5545340000	KEY		*		1
4	17782103	PIN		*		1
5	RE0300000K0	E-RING 3		*		1
6	17798406	U NUT		*		1
7	G5533340000	BRACKET		*		1
8	SM6030802TP	SCREW M3X0.5 L=8		*		1
9	WS0310002KN	SPRING WASHER M3		*		1
10	17784000	PAWL LARGE		*		1
11	17784109	PAWL SMALL		*		1
12	17784307	LEVER		*		1
13	SM8030502TP	SCREW M3 L=5		*		2
14	17784406	LEVER STUD		*		1
15	NS6110310SP	NUT 11/64-40		*		1
16	G5527340000	COVER		*		1
17	SS4080610SP	SCREW 1/8-44 L=6.4		*		3
18	G5529340000	PIN		*		2
19	G5530340000	SPRING ANCHOR LARGE		*		1
20	G5531340000	SPRING ANCHOR SMALL		*		1
21	G5532340000	SPRING		*		1
22	G5523340000A	SLIDE BASE		*		1
23	SS7112420SP	SCREW 11/64-40 L=24		*		1
24	WS0451040KP	SPRING WASHER 4.5X8.5X1		*		1
25	17788217	BUTTON CLAMP BRACKET				1
26	17778507	ADJUSTING BASE UPPER				1
27	G5495340000	NEEDLE BEARING				2
28	SM6061552TP	SCREW M6 L=15				2
29	17778705	TURN OVER GEAR				1
30	SM6041202TP	SCREW M4X0.7 L=12				1
31	SM6051602TP	SCREW M5X0.8 L=16				2
32	WS0510002KN	SPRING WASHER				2
33	WP0531001SC	WASHER				2
34	17788308	TURNING-OVER GEAR B				1
35	SM8040602TP	SCREW M4X0.7 L=6				2
36	G5442340000	PIN				1
37	17788407	WORKPIECE PRESSER CAM				1
38	SM6041202TP	SCREW M4X0.7 L=12				1
39	G5448340000	ANCHOR A				1
40	NM6050001SC	NUT M5				1
41	G5445340000	METAL A				5
42	G5447340000	COLLAR				1
43	G5453340000	SET COLLAR				2
44	SM8030502TP	SCREW M3 L=5				2
45	G5450340000	NECK SUPPORT BRACKET				1
46	SM8030602TP	SCREW M3X0.5 L=6				2
47	G5449340000	NECK SUPPORT				1

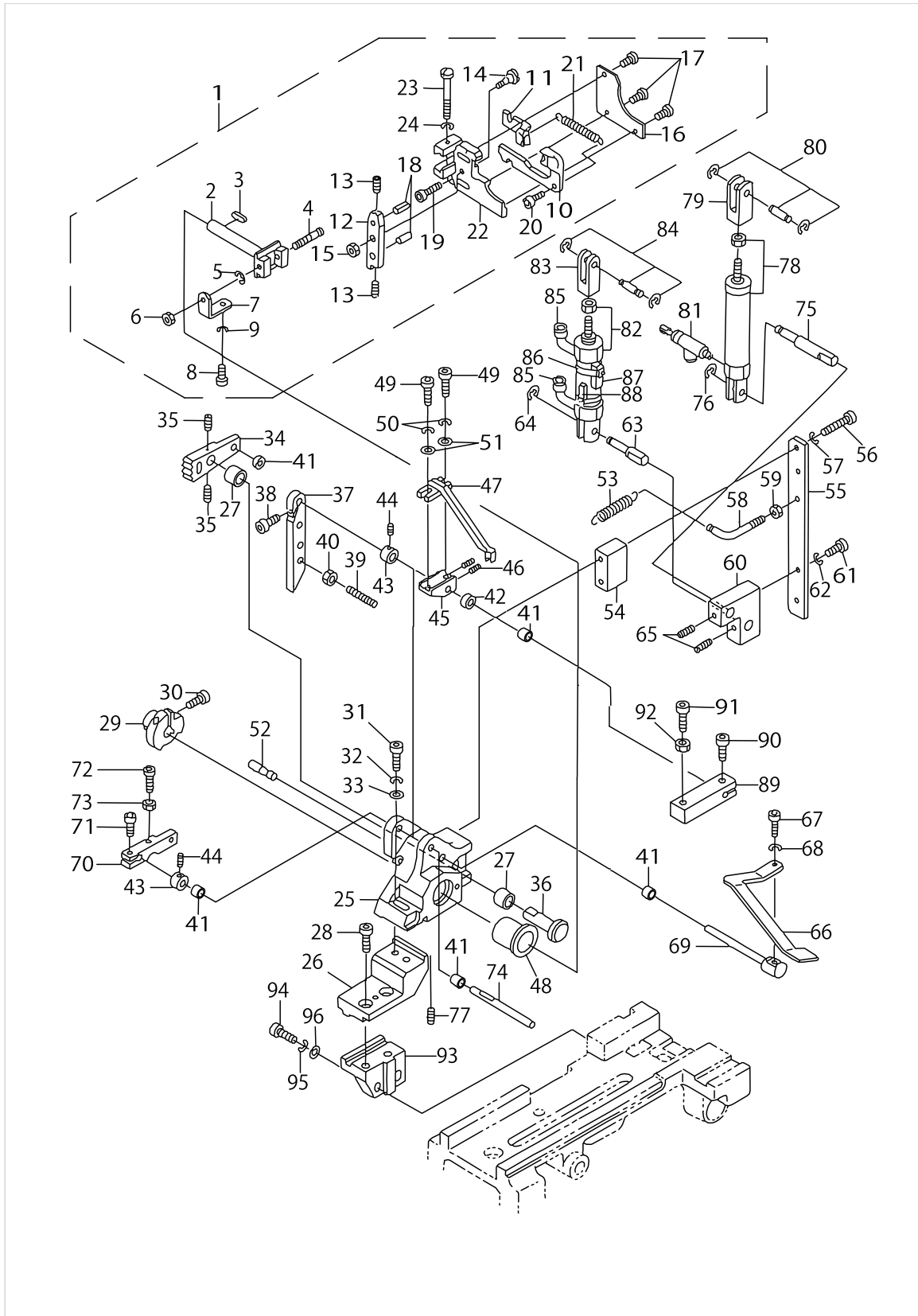
# BUTTON CHUCK COMPONENTS



BUTTON CHUCK COMPONENTS

No.	Parts No.	Parts name	Remarks	Level	Cons	Qty
48	17778804	METAL				1
49	SM6031002TP	HEXAGONAL BOLT M3 X 10				2
50	WS0310002KN	SPRING WASHER M3				2
51	WP0320500SC	WASHER M3				2
52	G5440340000	STOPPER PIN				1
53	G5460340000	SPRING				1
54	G5455340000	SPACER				1
55	G5454340000	CONNECTING PLATE				1
56	SM6043552TP	BOLT				2
57	WS0410002KN	SPRING WASHER				2
58	G5457340000	ANCHOR B				1
59	NM6040001SC	NUT M4				1
60	G5456340000	CYLINDER BASE				1
61	SM6041502TP	SCREW M4X0.7 L=15				2
62	WS0410002KN	SPRING WASHER				2
63	17788506	CYLINDER PIN A				1
64	RE0300000K0	E-RING 3				1
65	SM8040602TP	SCREW M4X0.7 L=6				2
66	17796202	WORK PIECE PRESSER				1
67	SM8040802TP	SCREW M4X8				1
68	WS0410002KN	SPRING WASHER				1
69	G5444340000	WORKPIECE PRESSER SHAFT				1
70	G5451340000	NECK SUPPORT ARM				1
71	SM6041002TP	SCREW M4 L=10				1
72	SM6042002TP	SCREW M4X0.7 L=20				1
73	NM6040001SC	NUT M4				1
74	G5452340000	NECK SUPPORT SHAFT				1
75	17788605	CYLINDER PIN B				1
76	RE0300000K0	E-RING 3				1
77	SM8041012TP	SCREW M4 L=10				1
78	PA1602508A0	CYLINDER				1
79	PX500020000	KNUCKLE JOINT				1
80	PX5000280A0	PIN				1
81	PC010507000	SPEED CONTROLLER				1
82	PA1601701A0	CYLINDER				1
83	PX500020000	KNUCKLE JOINT				1
84	PX5000280A0	PIN				1
85	PJ304040504	ELBOW UNION				2
86	PX5000480A0	SWITCH FITTING METAL				2
87	17771155	DETECT CABLE ASM.				1
88	17771254	DETECT CABLE ASM.				1
89	17778101	NECK SUPPORT BASE				1
90	SM6030802TP	SCREW M3X0.5 L=8				1
91	SM6031202TP	SCREW M3X0.5 L=12				1
92	NM6030001SC	NUT M3				1
93	17778002	ADJUSTING BASE LOWER				1
94	SM6062002TP	SCREW M6 L=20				2

# BUTTON CHUCK COMPONENTS

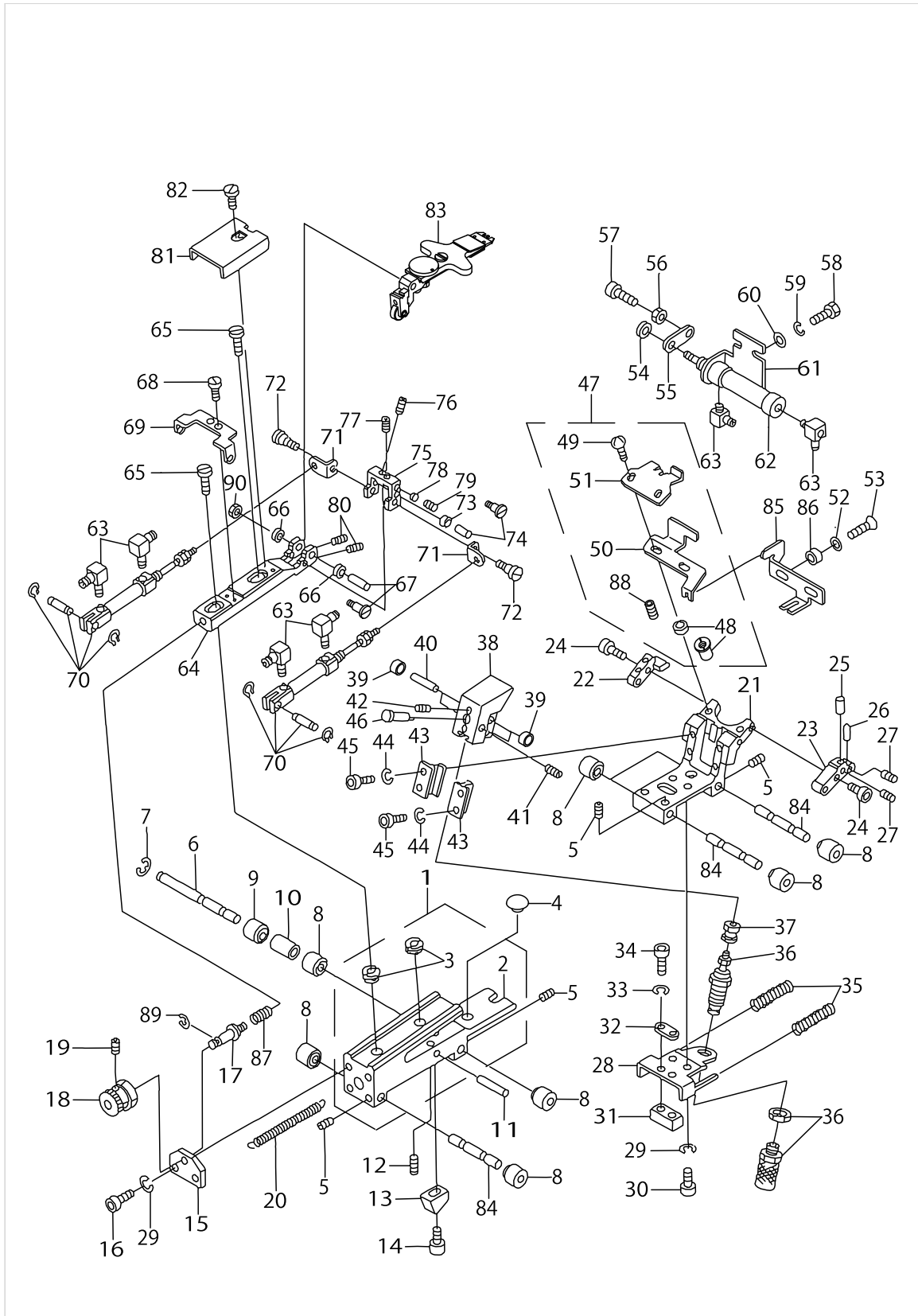


## BUTTON CHUCK COMPONENTS

No.	Parts No.	Parts name	Remarks	Level	Cons	Qty
95	WS0610002KN	SPRING WASHER 6.1X12.2X1.5				2
96	WP0641601SC	WASHER				2



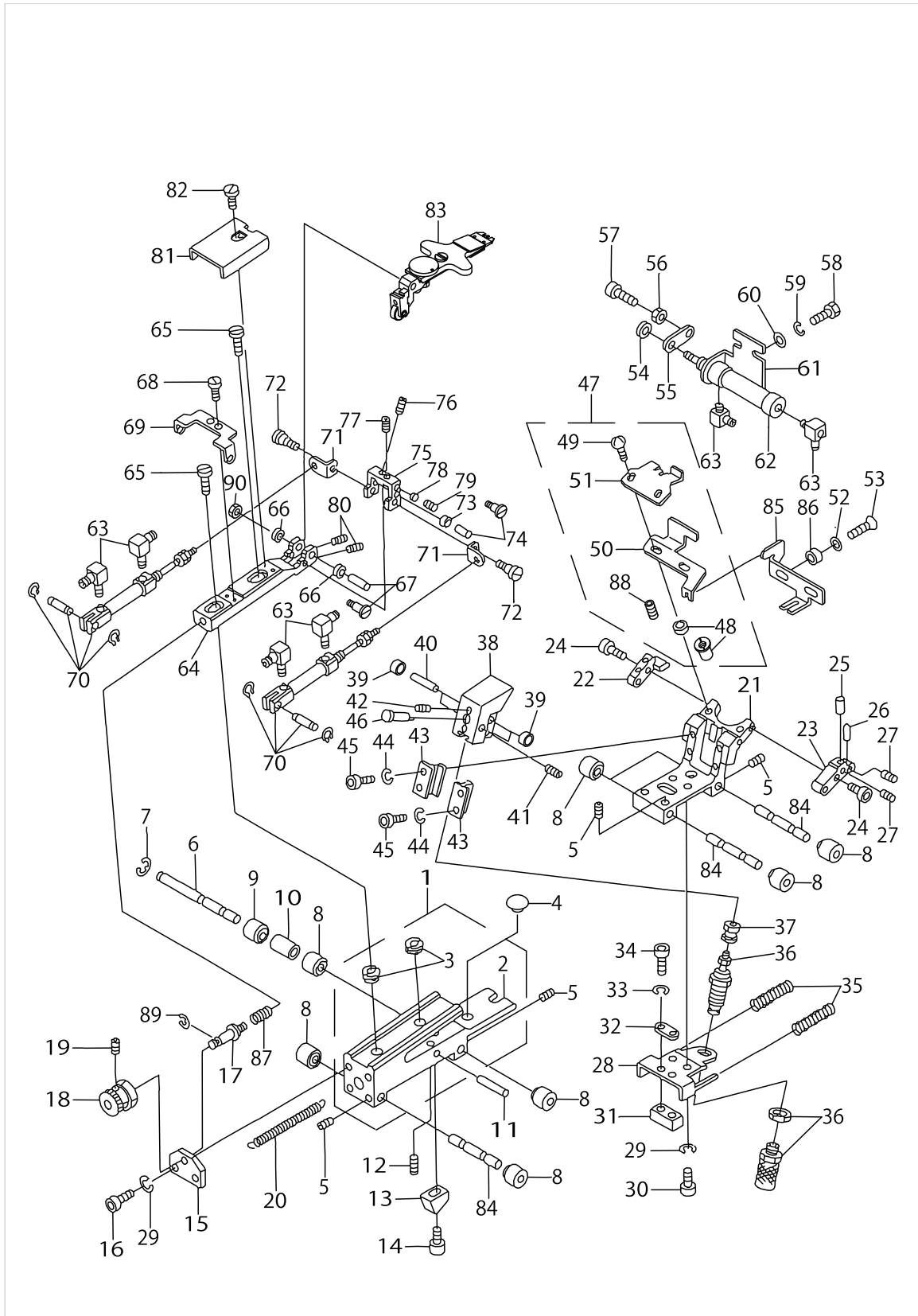
# THROAT PLATE & TONGS COMPONENTS



THROAT PLATE & TONGS COMPONENTS

No.	Parts No.	Parts name	Remarks	Level	Cons	Qty
1	17790254	TONGS INSTALLING BASE ASM.				1
2	17790205	TONGS INSTALLING BASE		*		1
3	17789108	SCREW		*		2
4	TA1450404R0	RUBBER PLUG D=14.5 L=4				1
5	SM8030502TP	SCREW M3 L=5				6
6	G5464340000	ROLLER SHAFT B				1
7	RE0300000K0	E-RING 3				1
8	G5465340000	ROLLER A				8
9	G5466340000	ROLLER B				1
10	G5467340000	SPACER				1
11	G5468340000	ANCHOR				1
12	SM8030502TP	SCREW M3 L=5				2
13	G5417340000	STOPPER				1
14	SM6051552TP	SCREW M5 L=15				1
15	17789900	TONGS ADJUSTING PLATE				1
16	SM6041002TP	SCREW M4 L=10				2
17	17790007	TONGS ADJUSTING PIN				1
18	17790106	ADJUSTING DIAL				1
19	SM8030502TP	SCREW M3 L=5				2
20	G5411340000	SPRING				1
21	17790304	WORK PIECE HOLDER BASE				1
22	17794603	GUIDE LEFT A				1
23	17794702	GUIDE RIGHT A				1
24	SM6031002TP	HEXAGONAL BOLT M3 X 10				4
25	G5254340000	GUIDE PIN				1
26	G5255340000	PIN				1
27	SM8030502TP	SCREW M3 L=5				2
28	17776600	PRESSER CYLINDER BASE				1
29	WS0410002KN	SPRING WASHER				4
30	SM6040802TP	SCREW M4X0.7 L=8				2
31	17776808	STOPPER BLOCK				1
32	B4122052000	WASHER				1
33	WS0310002KN	SPRING WASHER M3				2
34	SM6031002TP	HEXAGONAL BOLT M3 X 10				2
35	G5414340000	SPRING				2
36	PA0601001A0	PIN CYLINDER				1
37	17777103	PUSH ROD				1
38	17790403	AUXILIARY PRESSER				1
39	17777202	AUXILIARY PRESSER ROLLER				4
40	17799701	NEEDLE GAUGE				2
41	SM8030602TP	SCREW M3X0.5 L=6				1
42	SM8030602TP	SCREW M3X0.5 L=6				2
43	17776907	AUXILIARY PRESSER HOLDER				2
44	WS0310002KN	SPRING WASHER M3				4
45	SM6031002TP	HEXAGONAL BOLT M3 X 10				4
46	17777004	PRESSER ADJUSTING PIN				1
47	17791450	THROAT PLATE ASM.				1

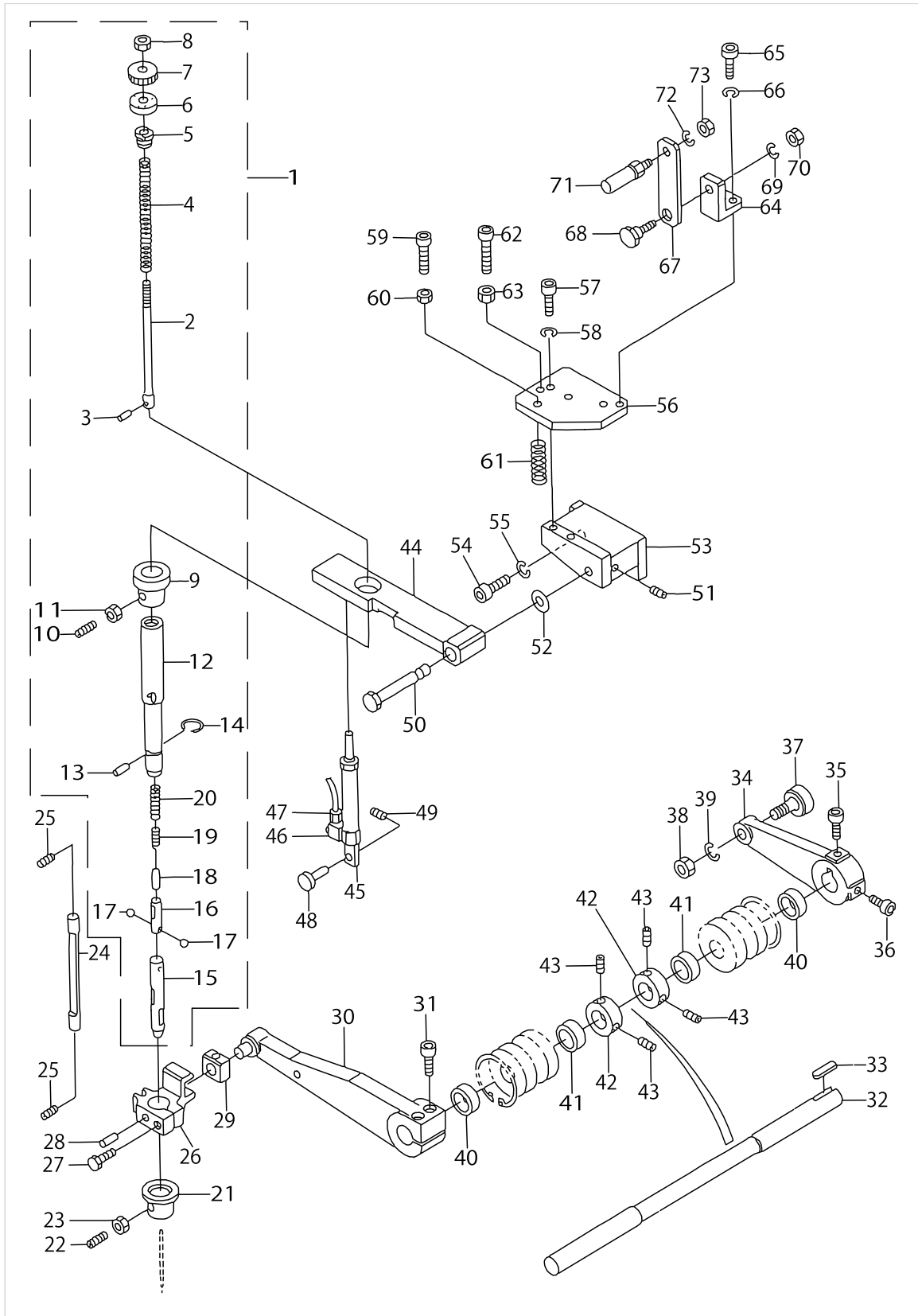
# THROAT PLATE & TONGS COMPONENTS



THROAT PLATE & TONGS COMPONENTS

No.	Parts No.	Parts name	Remarks	Level	Cons	Qty
48	17791104	COLLAR		*		2
49	G5499340000	SCREW		*		2
50	17777707	SLIDE THROAT PLATE		*		1
51	17791401	THROAT PLATE		*		1
52	17798802	DISH WASHER (QWE03008ZC)				2
53	17799404	DISH SCREW KDS-0308				2
54	B1707555000	WASHER				1
55	17778408	STOPPER PLATE				1
56	NM6030001SC	NUT M3				1
57	SM6031202TP	SCREW M3X0.5 L=12				1
58	SM9040803SE	SCREW M4 L=8				2
59	WS0410002KN	SPRING WASHER				2
60	WP0430801SC	WASHER 4.3X9X0.8				2
61	17778309	CYLINDER BASE				1
62	PA0600801A0	CYLINDER				1
63	PJ046052503	HOSE ELBOW				6
64	17789801	TONGS R				1
65	SS6121860SP	SCREW 3/16-28 L=18				2
66	G5445340000	METAL A				2
67	G5472340000	TONGS PIVOT SHAFT				1
68	SS6080720SP	SCREW				2
69	17776204	CYLINDER BRACKET				1
70	PA100080100	AIR CYLINDER				2
71	17776303	CHANGING KNUCKLE				2
72	SD0500204TP	HINGE SCREW				2
73	17799800	LEVER BUSH				2
74	G5254340000	GUIDE PIN				2
75	17776105	TONGS CHANGING LEVER				1
76	SM8041012TP	SCREW M4 L=10				1
77	SM8040802TP	SCREW M4X8				1
78	17789603	RUBBER				2
79	SM8030402TP	SCREW M3X0.5 L=4				2
80	SM8030302TP	SCREW M3X0.5 L=3				2
81	17789306	TONGS COVER				1
82	SS6080610TP	SCREW 1/8-44 L=6				2
83	17788761	TONGS ASM.	FOR DETAILS SEE OPTIONAL PART COMPONENTS (P.51)			1
84	G5463340000	ROLLER SHAFT A				3
85	17778200	DRIVING LINK PLATE				1
86	G5539340000	LOOPER METAL				2
87	B1652704000	SPRING				1

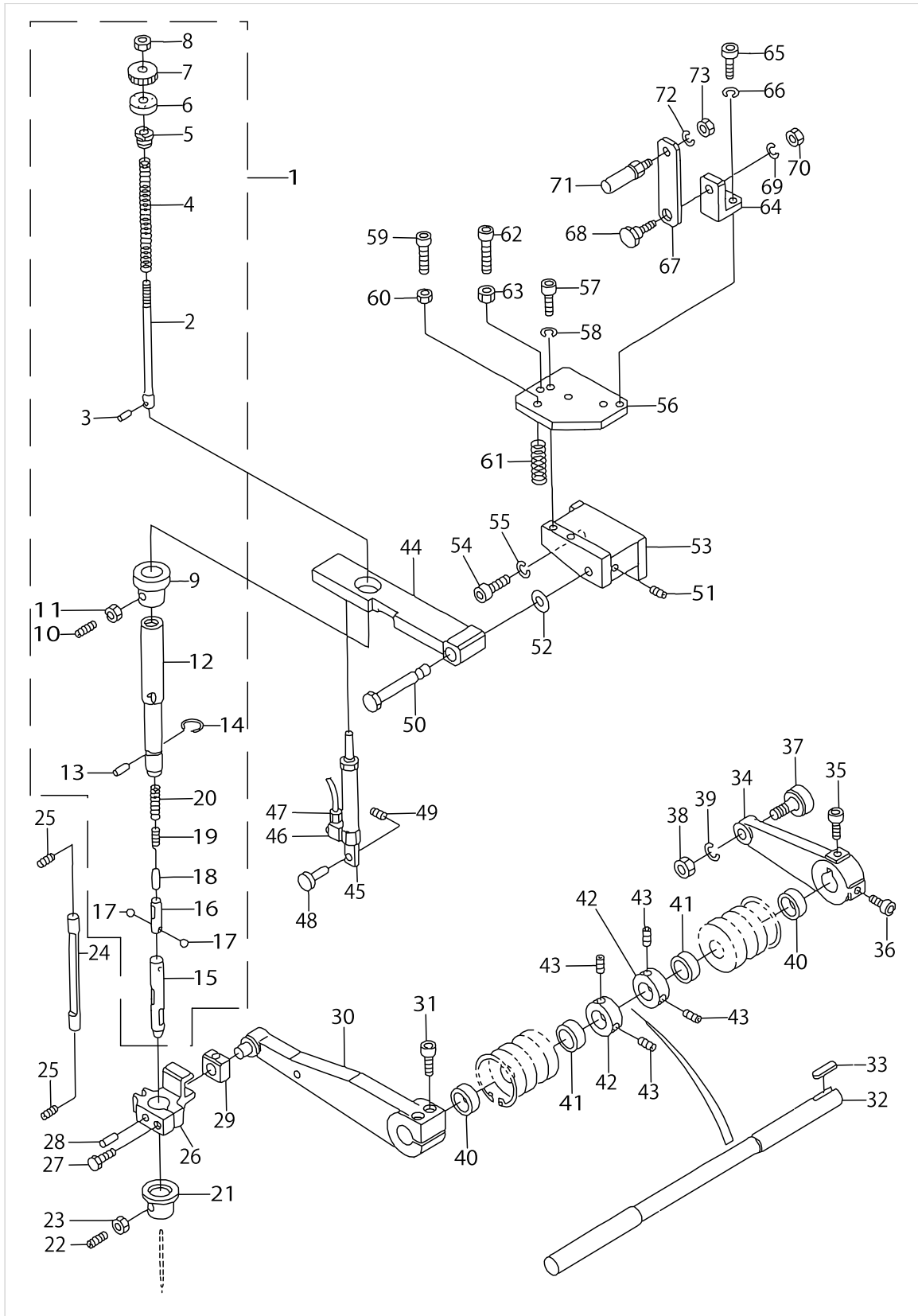
NEEDLE BAR COMPONENTS (1)



NEEDLE BAR COMPONENTS (1)

No.	Parts No.	Parts name	Remarks	Level	Cons	Qty
1	17782053	NEEDLE BAR #38 ASM.				1
2	G5505340000	SUPPORT SLEEVE ROD		*		2
3	G5514340000	PIN		*		2
4	G5508340000	BAR SPRING		*		2
5	G5509340000	BOLT		*		2
6	G5511340000	RUBBER WASHER		*		2
7	G5510340000	NEEDLE BAR		*		2
8	G5515340000	NUT		*		1
9	G5516340000A	BUSHING A		*		1
10	SM8041012TP	SCREW M4 L=10		*		1
11	NM6040001SC	NUT M4		*		1
12	G5501340000	SUPPORT CYLINDER		*		1
13	G5512340000	STOP PIN		*		1
14	G5513340000	RING		*		1
15	17782004	SUPPORT SLEEVE		*		1
16	G5503340000	STEEL BALL HOLDER		*		1
17	G5542340000	STEEL BALL		*		2
18	G5504340000	PIN		*		1
19	G5506340000	STOP SPRING		*		1
20	G5507340000	LOCK SPRING		*		1
21	G5517340000A	BUSHING B				1
22	SM8041012TP	SCREW M4 L=10				1
23	NM6040001SC	NUT M4				1
24	G5226340000	BOSS A				1
25	SM8040802TP	SCREW M4X8				1
26	G5521340000	LIFTING BLOCK UPPER				1
27	G5583340000	BOSS CLAMP BOLT				1
28	G5543340000	PIN				1
29	G5522340000	SLIDE BLOCK				1
30	G5119340000	CAM LEVER				1
31	SM6052502TP	SCREW M5X0.8 L=25				2
32	G5116340000	AUXILIARY SHAFT				1
33	G5173340000	KEY				1
34	G5117340000	CAM FOLLOWER LEVER				1
35	SM6041202TP	SCREW M4X0.7 L=12				1
36	SM6041602TP	SCREW M4X0.7 L=16				1
37	G5174340000	CAM FOLLOWER				1
38	NM6050001SC	NUT M5				1
39	WS0510002KN	SPRING WASHER				1
40	G5121340000	COLLAR				2
41	G5120340000	COLLAR				2
42	G5122340000	COLLAR				2
43	SM8050602TP	SCREW M5 L=6				4
44	G5157340000	LIFTER ARM				1
45	PA160151600	CYLINDER				1
46	PJ042050002	ELBOW				1
47	PJ301040502	HALF UNION 4XM5				1

NEEDLE BAR COMPONENTS (1)

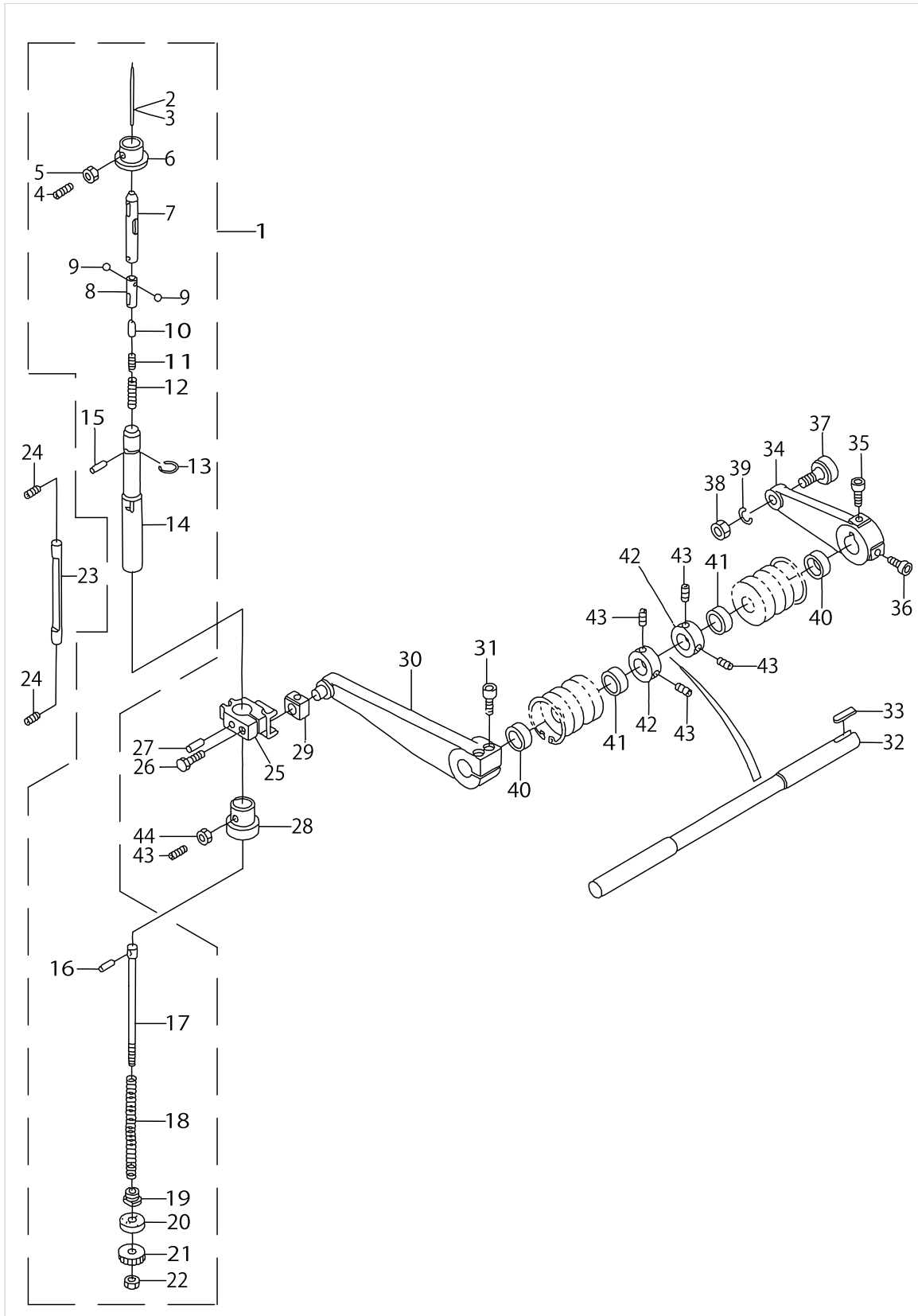


NEEDLE BAR COMPONENTS (1)

No.	Parts No.	Parts name	Remarks	Level	Cons	Qty
48	G5158340000	CYLINDER PIVOT PIN				1
49	SM8050812TP	SCREW M5X8				1
50	G5155340000	PIVOT PIN				1
51	SM8050602TP	SCREW M5 L=6				1
52	G5156340000	WASHER				1
53	G5154340000	BASE				1
54	SM6061802TP	SCREW M6 L=18				2
55	WS0610002KN	SPRING WASHER 6.1X12.2X1.5				2
56	17786104	PRESSER PLATE				1
57	SM6041502TP	SCREW M4X0.7 L=15				2
58	WS0410002KN	SPRING WASHER				2
59	SM6062502TP	SCREW M6 L=25				1
60	NM6060001SC	NUT M6				1
61	G5160340000	SPRING				1
62	SM6041802TP	SCREW M4 L=18				1
63	NM6040001SC	NUT M4				1
64	17786005	PIVOT BASE				1
65	SM6041502TP	SCREW M4X0.7 L=15				2
66	WS0510002KN	SPRING WASHER				2
67	17786302	COVER PRESSER ARM				1
68	17786203	ARM PIVOT PIN				1
69	WS0610002KN	SPRING WASHER 6.1X12.2X1.5				1
70	NM6060001SC	NUT M6				1
71	17786500	PICK-UP SHAFT				1
72	WS0610002KN	SPRING WASHER 6.1X12.2X1.5				1
73	NM6060001SC	NUT M6				1



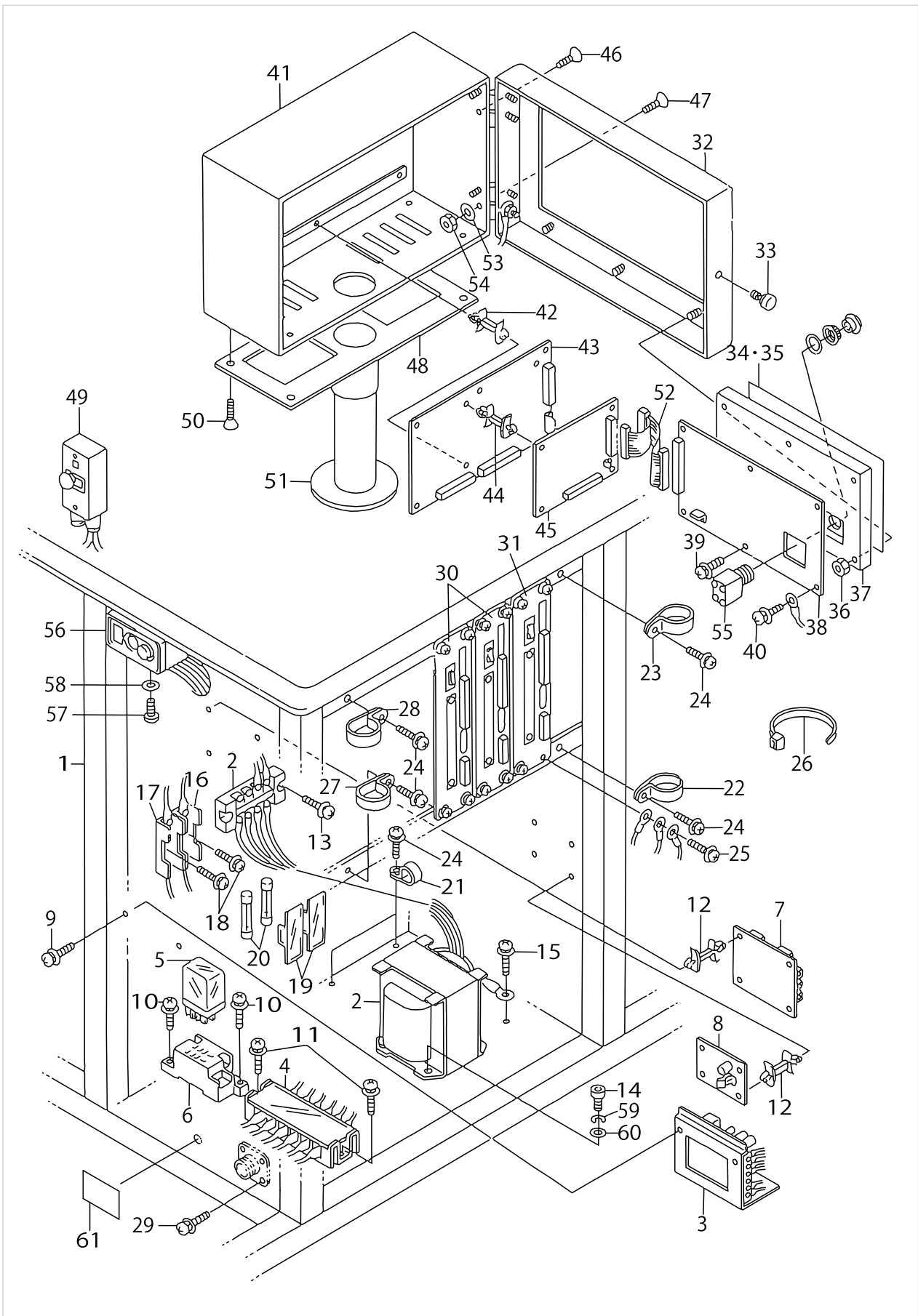
# NEEDLE BAR COMPONENTS (2)



NEEDLE BAR COMPONENTS (2)

No.	Parts No.	Parts name	Remarks	Level	Cons	Qty
1	17782053	NEEDLE BAR #38 ASM.				1
2	MDPN20A1000	NEEDLE DPN-2000A38	FOR JAPAN	*		1
3	MC901001000	NEEDLE 7877-40-2000A/38	FOR EXPORT	*		1
4	SM8041012TP	SCREW M4 L=10		*		2
5	NM6040001SC	NUT M4		*		1
6	G5518340000A	BUSH C		*		1
7	17782004	SUPPORT SLEEVE		*		1
8	G5503340000	STEEL BALL HOLDER		*		1
9	G5542340000	STEEL BALL		*		2
10	G5504340000	PIN		*		1
11	G5506340000	STOP SPRING		*		1
12	G5507340000	LOCK SPRING		*		1
13	G5513340000	RING		*		1
14	G5501340000	SUPPORT CYLINDER		*		1
15	G5512340000	STOP PIN		*		1
16	G5514340000	PIN		*		1
17	G5505340000	SUPPORT SLEEVE ROD		*		1
18	G5508340000	BAR SPRING		*		1
19	G5509340000	BOLT		*		1
20	G5511340000	RUBBER WASHER		*		1
21	G5510340000	NEEDLE BAR		*		1
22	G5515340000	NUT		*		1
23	G5226340000	BOSS A				1
24	SM8040802TP	SCREW M4X8				2
25	G5520340000	LIFTING BLOCK LOWER				1
26	G5583340000	BOSS CLAMP BOLT				1
27	G5543340000	PIN				1
28	G5519340000A	BUSH D				1
29	G5522340000	SLIDE BLOCK				1
30	G5118340000	CAM LEVER LOWER				1
31	SM6052502TP	SCREW M5X0.8 L=25				2
32	G5116340000	AUXILIARY SHAFT				1
33	G5173340000	KEY				1
34	G5117340000	CAM FOLLOWER LEVER				1
35	SM6041202TP	SCREW M4X0.7 L=12				1
36	SM6041602TP	SCREW M4X0.7 L=16				1
37	G5174340000	CAM FOLLOWER				1
38	NM6080001SC	NUT M8X1.25				1
39	WS0820002KN	SPRING WASHER M8				1
40	G5121340000	COLLAR				2
41	G5120340000	COLLAR				2
42	G5122340000	COLLAR				2
43	SM8050602TP	SCREW M5 L=6				4

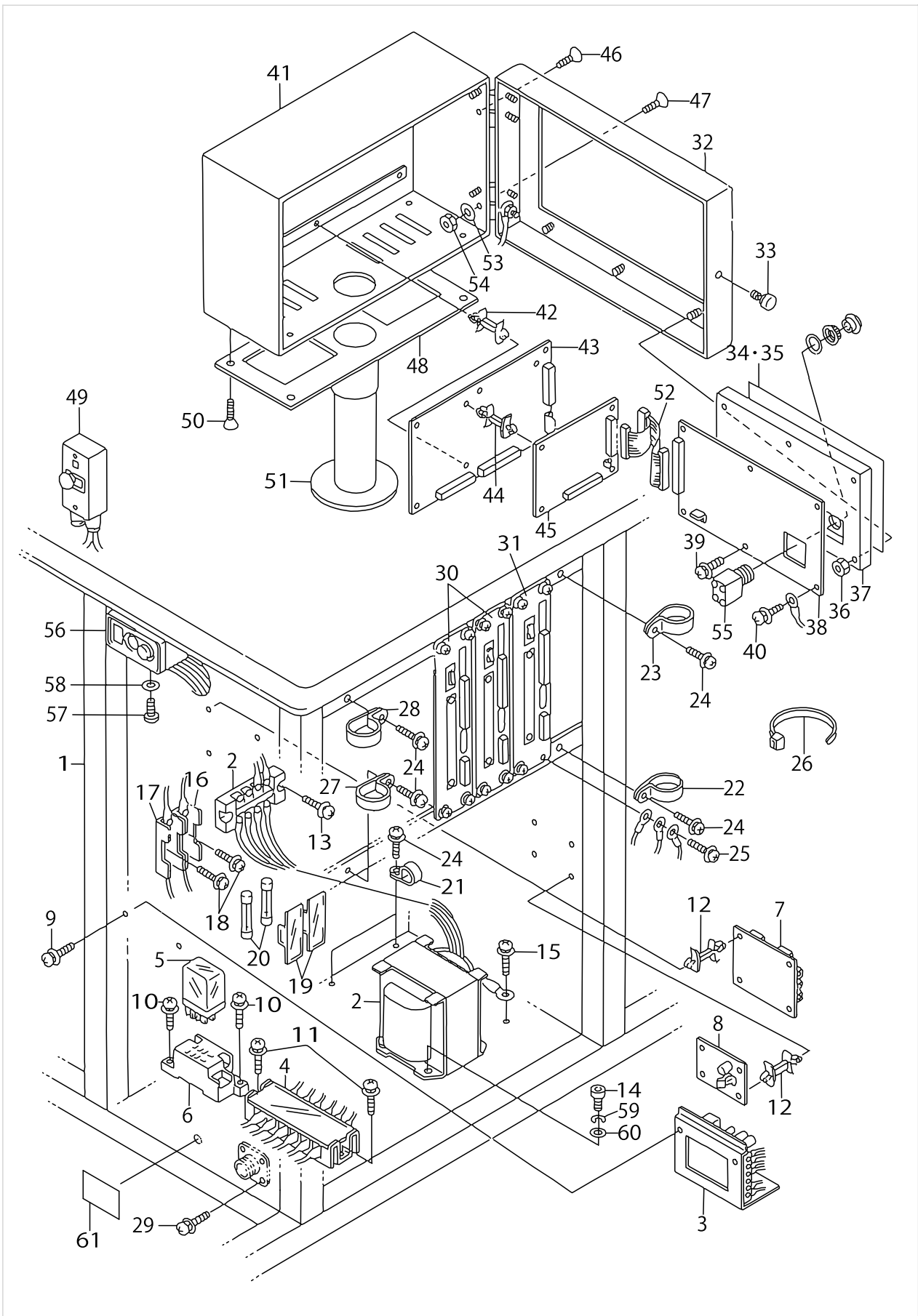
CONTROL BOX COMPONENTS



CONTROL BOX COMPONENTS

No.	Parts No.	Parts name	Remarks	Level	Cons	Qty
1	17768102	TRANSMISSION BOX				1
2	17763558	TRANSFORMER ASM.				1
3	HX003690000	POWER SOURCE				1
4	17763350	TERMINAL BASE ASM.				1
5	HB000330000	RELAY				1
6	HB000310010	RELAY SOCKET				1
7	17769753	SPEED CONTROL BOARD ASM.				1
8	17769852	MOTOR CONTROL I/F BOARD ASM.				1
9	SL4040891SC	SCREW M4 L=8				2
10	SM4041401SC	SCREW M4X0.7 L=14				2
11	SL4041081SC	SCREW M4 L=10				2
12	HX00115000D	CIRCUIT BOARD SUPPORT				8
13	SL4041081SC	SCREW M4 L=10				2
14	SM6051002TP	SCREW M5X0.8 L=10				4
15	SL4040691SC	SCREW M4 L=6				1
16	HF005111000	FUSE HOLDER	FOR JAPAN & EXPORT (240V OR LESS)			1
17	HF00511100A	FUSE HOLDER	FOR JAPAN & EXPORT (240V OR LESS)			1
18	SM4041001SC	SCREW M4X0.7 L=10	FOR JAPAN & EXPORT (240V OR LESS)			2
19	HF00511100B	FUSE HOLDER COVER	FOR JAPAN & EXPORT (240V OR LESS)			2
20	E8523304000	FUSE 10A	FOR JAPAN & EXPORT (240V OR LESS)			2
21	HX00150000B	CABLE CLIP				2
22	HX00150000K	CABLE CLIP				1
23	HX00150000N	CABLE CLIP				1
24	SL4041091SC	SCREW M4 L=10				6
25	SL4040691SC	SCREW M4 L=6				1
26	HX000430000	CLIP				5
27	HX00150000F	CABLE CLIP				1
28	HX00150000H	CABLE CLIP				1
29	SL4030691SC	SCREW M3X6				4
30	17770009	X-Y SHAFT SERVO DRIVER				2
31	17770108	MAIN SHAFT SERVO DRIVER				1
32	16541005	OPERATION BOX FRONT				1
33	16542508	SCREW				1
34	17768805	PANEL SHEET	FOR JAPAN			1
35	17768904	PANEL SHEET	FOR EXPORT			1
36	17769001	STUD				6
37	17768409	OPERATION BOX BASE PLATE				1
38	17768755	PANEL BOARD ASM.				1
39	SL4030691SC	SCREW M3X6				5
40	SL4030891SC	SCREW M3X8				1
41	16541104	OPERATION BOX REAR				1
42	HX00115000A	PCB SUPPORT				5
43	17768557	CPU BOARD ASM.				1
44	HX00115000E	STUD				4
45	17768656	MOTOR CONTROL BOARD ASM.				1

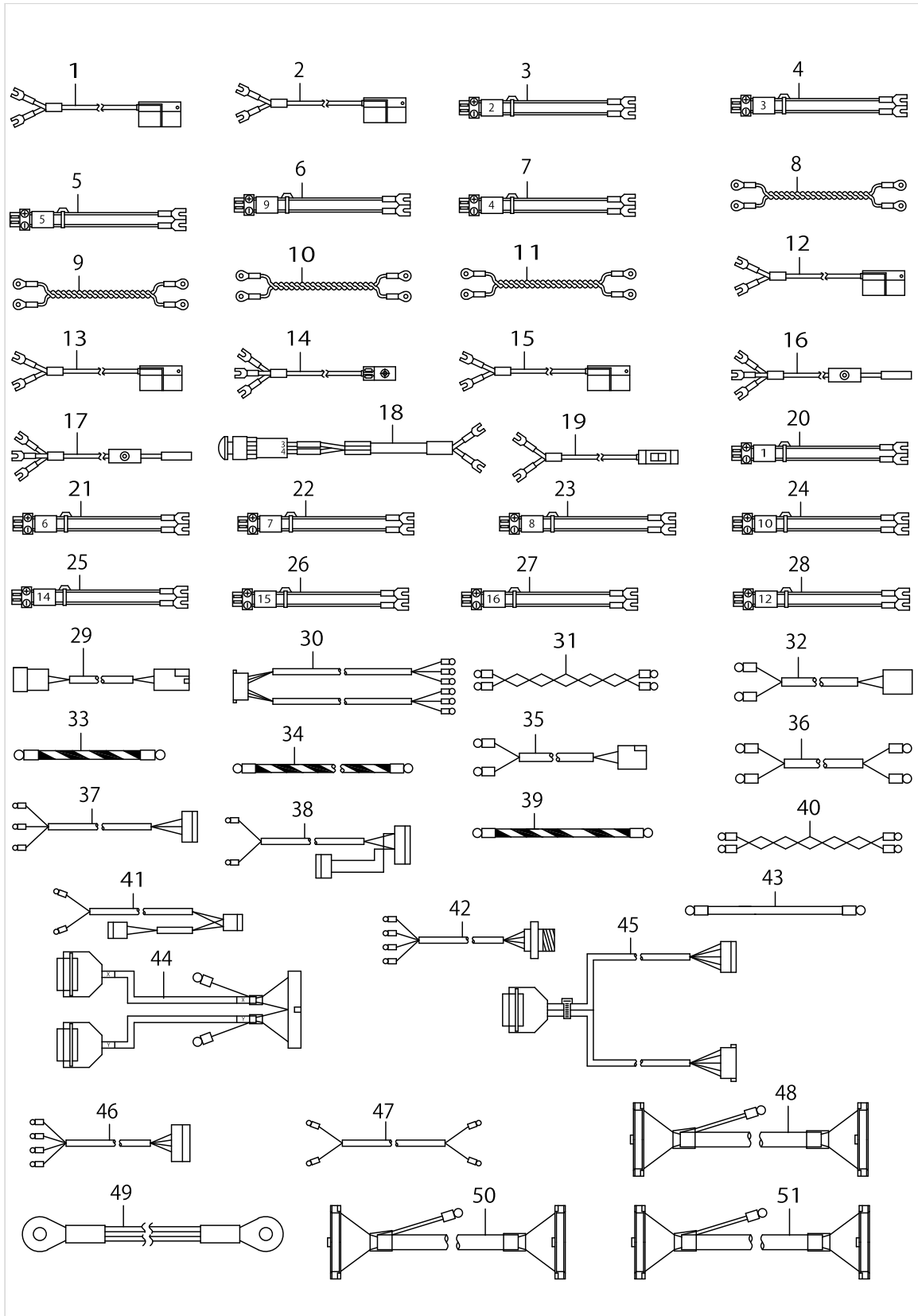
# CONTROL BOX COMPONENTS



CONTROL BOX COMPONENTS

No.	Parts No.	Parts name	Remarks	Level	Cons	Qty
46	SM1030501SC	SCREW M3 L=5				6
47	SM1031601SC	SCREW M3X0.5 L=16				2
48	16541203	OPERATION BOX INSTALLING PLATE				1
49	17769654	POWER SOURCE SWITCH ASM. 2	FOR EXPORT(380V OR MORE)			1
50	SM1040801SC	SCREW M4X0.7 L=8				4
51	17768201	OPERATION BOX BASE PLATE				1
52	16520157	CONTROL BOARD INTERFACE CABLE				1
53	WP0320500SF	WASHER 3.2X7X0.5				2
54	NM6030001SC	NUT M3				2
55	HA003560000	SWITCH				1
56	17769555	POWER SOURCE SWITCH ASM. 1	FOR JAPAN & EXPORT (240V OR LESS)			1
57	SK3483200SE	WOOD SCREW D=4.8 L=32				2
58	WP0531001SC	WASHER				2
59	WS0510002KN	SPRING WASHER				4
60	WP0531000SC	WASHER 5.3X10X1				4
61	CM500000001	POWER SOURCE INDICATION LABEL	FOR EXPORT			1

# CABLE COMPONENTS

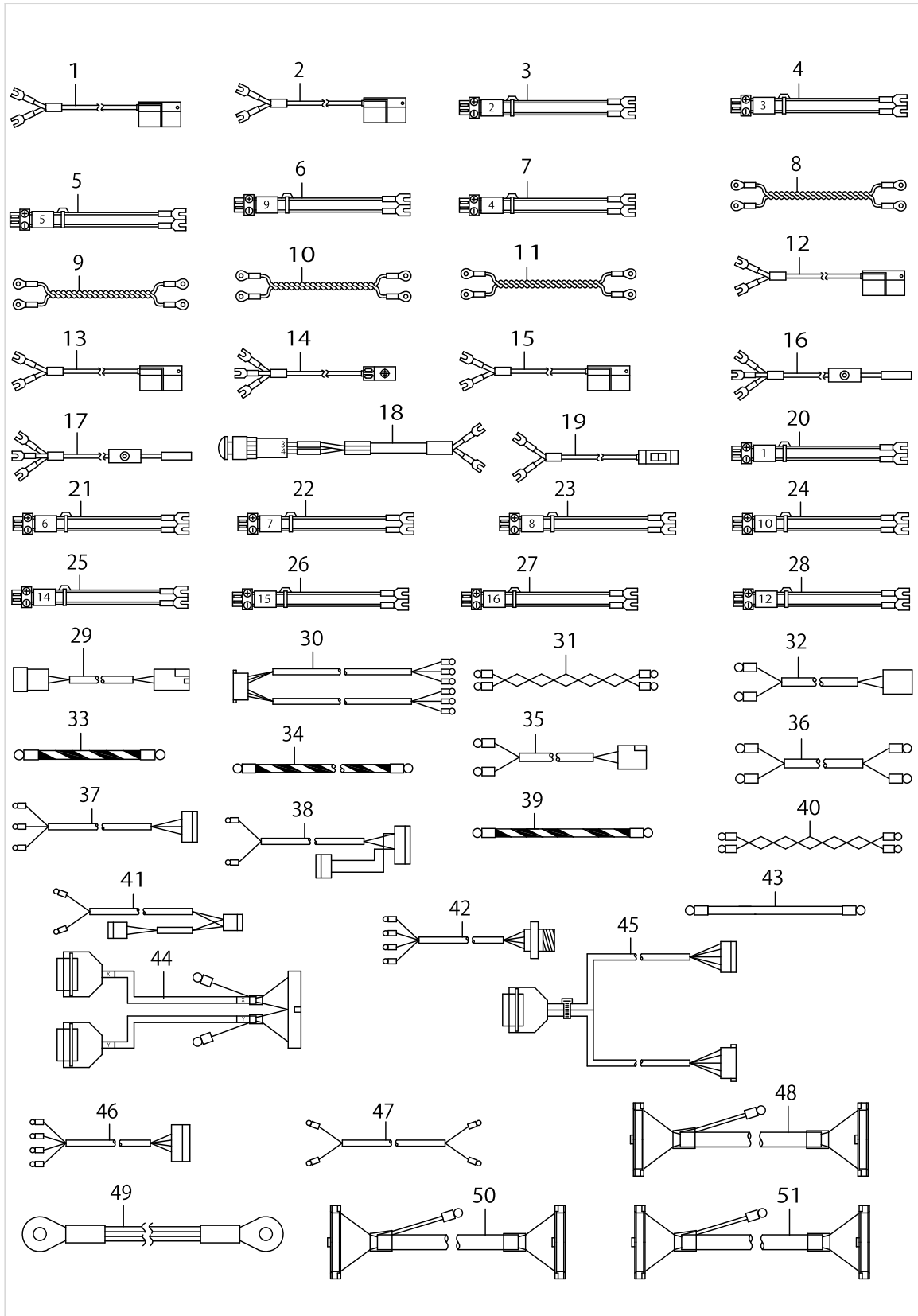


CABLE COMPONENTS

No.	Parts No.	Parts name	Remarks	Level	Cons	Qty
1	17771353	DETECT CABLE ASM.				1
2	17771452	DETECT CABLE ASM.				1
3	17772252	SOLENOID VALVE CABLE ASM.				1
4	17772351	SOLENOID VALVE CABLE ASM.				1
5	17772450	SOLENOID VALVE CABLE ASM.				1
6	17772856	SOLENOID VALVE CABLE ASM.				1
7	17773359	SOLENOID VALVE CABLE ASM.				1
8	17770751	SERVO POWER CABLE ASM. 1				1
9	17770850	SERVO POWER CABLE ASM. 2				1
10	17770959	PASSAGE CABLE ASM. 1				1
11	17771056	PASSAGE CABLE ASM. 2				1
12	17771155	DETECT CABLE ASM.				1
13	17771254	DETECT CABLE ASM.				1
14	17771551	SET DETECT ASM.				1
15	17771650	DETECT CABLE ASM.				1
16	17771759	SENSOR CABLE ASM.				1
17	17771858	SENROR CABLE ASM.				1
18	17771957	START SWITCH CABLE ASM.				1
19	17772054	AIR PRESSURE SWITCH CABLE ASM.				1
20	17772153	SOLENOID VALVE CABLE				1
21	17772559	SOLENOID VALVE CABLE ASM.				1
22	17772658	SOLENOID VALVE CABLE ASM.				1
23	17772757	SOLENOID VALVE CABLE ASM.				1
24	17772955	SOLENOID VALVE CABLE				1
25	17773052	SOLENOID VALVE CABLE ASM.				1
26	17773151	SOLENOID VALVE CABLE ASM.				1
27	17773250	SOLENOID VALVE CABLE ASM.				1
28	17773458	SOLENOID VALVE CABLE ASM.				1
29	17762956	TRUNKING CABLE ASM.				1
30	17763152	CONTROL CABLE ASM. 2				1
31	17763756	TRUNKING CABLE ASM.				1
32	17763855	POWER SOURCE CABLE ASM.				1
33	17764358	FG CABLE ASM. 1				1
34	17764457	FG CABLE ASM. 2				1
35	17767153	POWER SOURCE CABLE ASM.				1
36	17767450	RELAY CABLE ASM. 1				1
37	17767559	POWER SOURCE CABLE ASM.				1
38	17767658	POWER SOURCE CABLE ASM.				1
39	17767757	FG CABLE ASM.				1
40	17767856	RELAY CABLE ASM. 2				1
41	17767955	BOARD CABLE ASM.				1
42	17768052	PEDAL CABLE ASM.				1
43	17768359	GND TRUNKING CABLE ASM.				1
44	17769159	X-Y CONTROL CABLE ASM.				1
45	17769258	CONTROL CABLE ASM. 1				1
46	17769357	SPEED CONTROL CABLE ASM.				1
47	17769456	EMERGENCY STOP CABLE ASM.				1



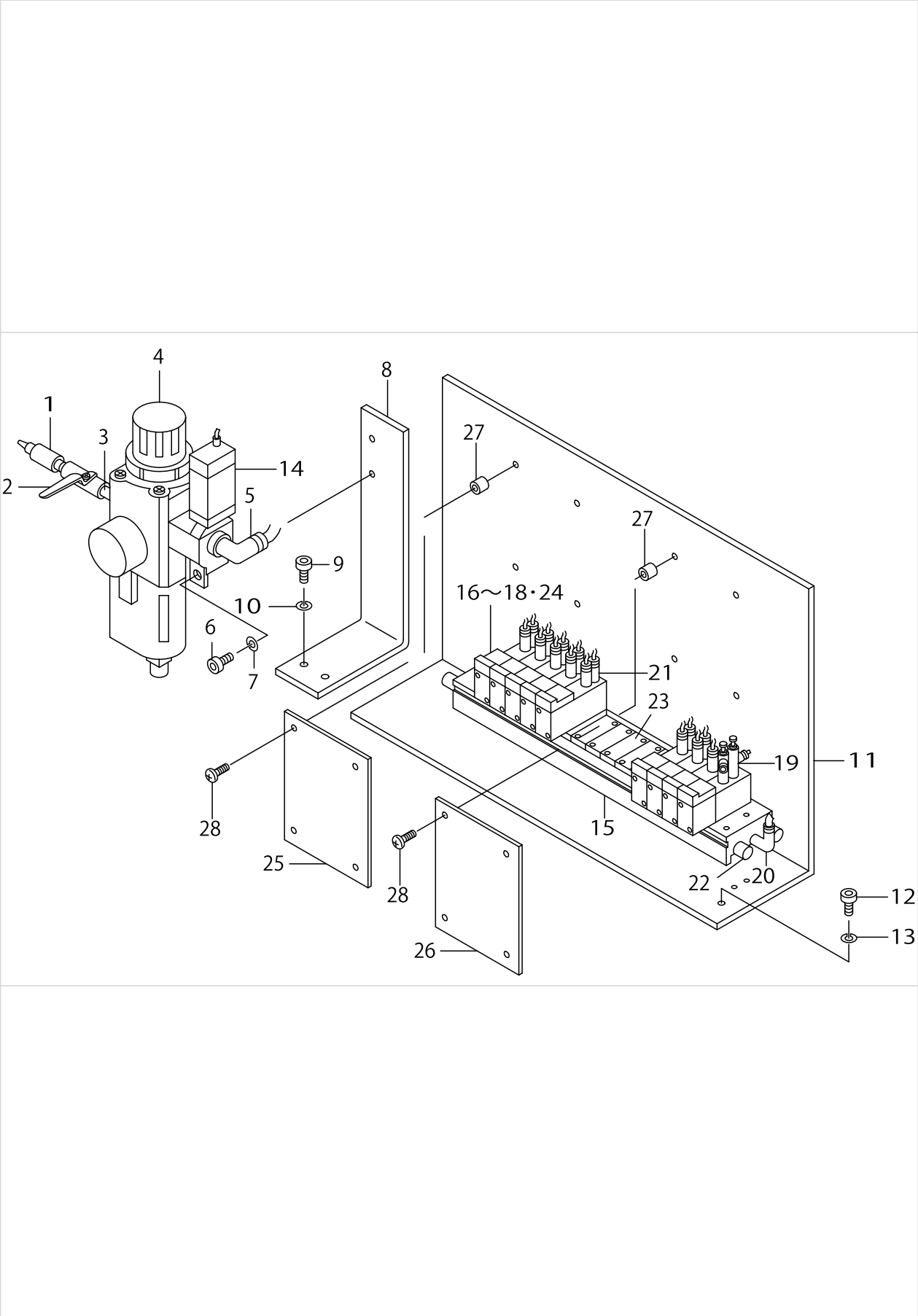
# CABLE COMPONENTS



CABLE COMPONENTS

No.	Parts No.	Parts name	Remarks	Level	Cons	Qty
48	17769951	TRUNKING CABLE ASM.				1
49	17764556	CONTROL FG CABLE ASM.				1
50	16517559	INPUT CIRCUIT BOARD CABLE ASM.				1
51	16517658	OUTPUT CIRCUIT BOARD CABLE ASM				1

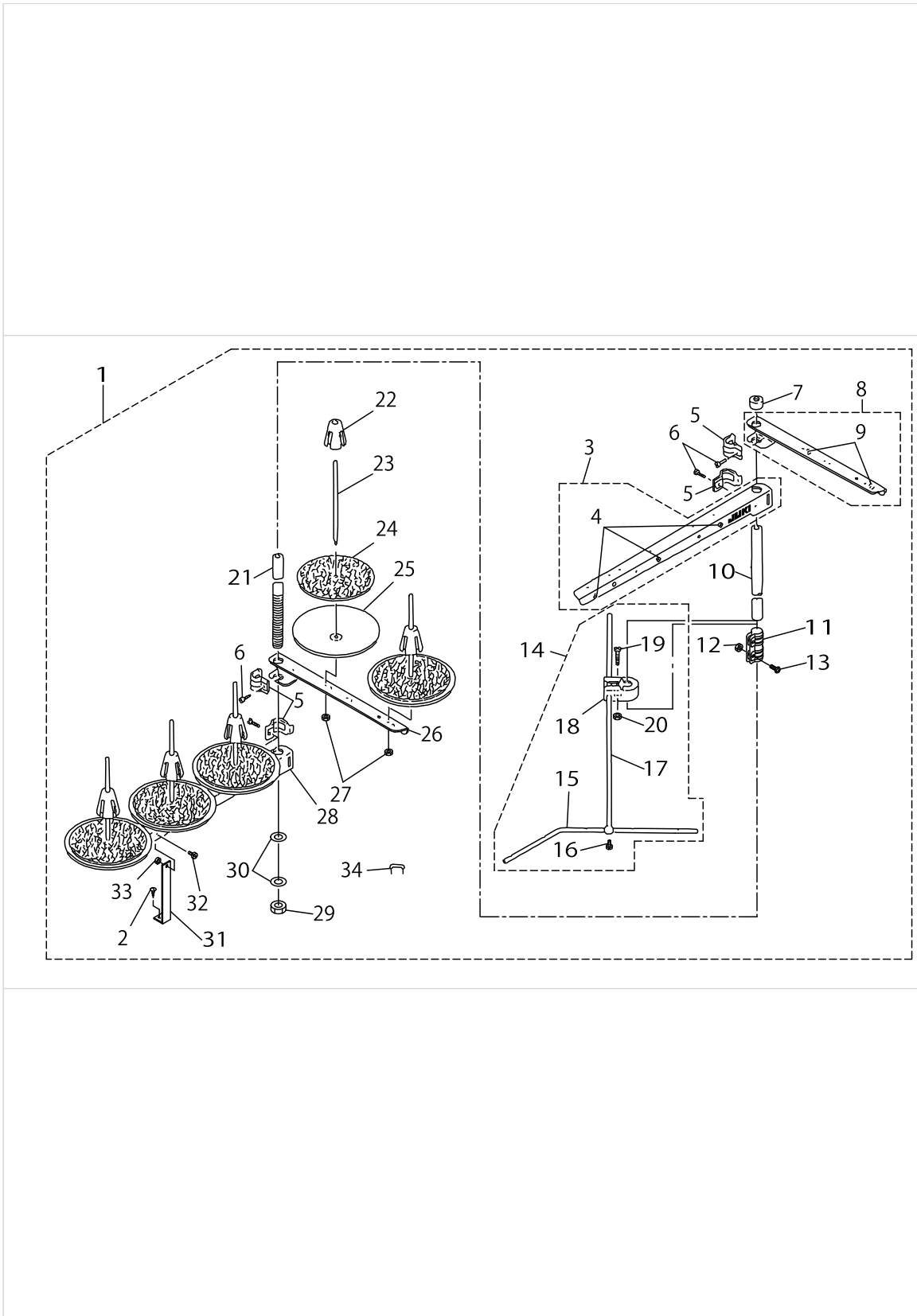
PNEUMATIC COMPONENTS



PNEUMATIC COMPONENTS

No.	Parts No.	Parts name	Remarks	Level	Cons	Qty
1	G6815150000	QUICK COUPLER				1
2	G5430116000	AIR COCK				1
3	PJ030520003	1/4 NIPPLE				1
4	PF0552130A0	AIR COMBINATION				1
5	PJ304085201	ELBOW UNION 8XPT1/4				1
6	SM6061552TP	SCREW M6 L=15				2
7	WS0610002KN	SPRING WASHER 6.1X12.2X1.5				2
8	17780909	REGULATOR BRACKET				1
9	SM6051202TP	SCREW M5X0.8 L=12				2
10	WS0510002KN	SPRING WASHER				2
11	17780800	SOLENOID VALVE INSTALLING BASE				1
12	SM6051202TP	SCREW M5X0.8 L=12				3
13	WS0510002KN	SPRING WASHER				3
14	17772054	AIR PRESSURE SWITCH CABLE ASM.				1
15	17798604	SOLENOID VALVE INSTALLING BASE				1
16	PV150509000	5-WAY SOLENOID VALVE				7
17	PV130508000	3-WAY SOLENOID VALVE				1
18	PV130509000	5-WAY SOLENOID VALVE				3
19	PF070501000	PRESSURE DECREASING VALVE				2
20	PJ304085101	ELBOW UNION				1
21	PJ301040502	HALF UNION 4XM5				17
22	G5496116A00	SILENCER				4
23	16726200	PLATE				5
24	16726101	ADAPTER				4
25	16450454	INPUT TERMINAL BASE ASM.				1
26	16450355	OUTPUT TERMINAL BASE ASM.				1
27	17779109	SUPPORT				8
28	SM4042001SR	SCREW M4 L=20				8

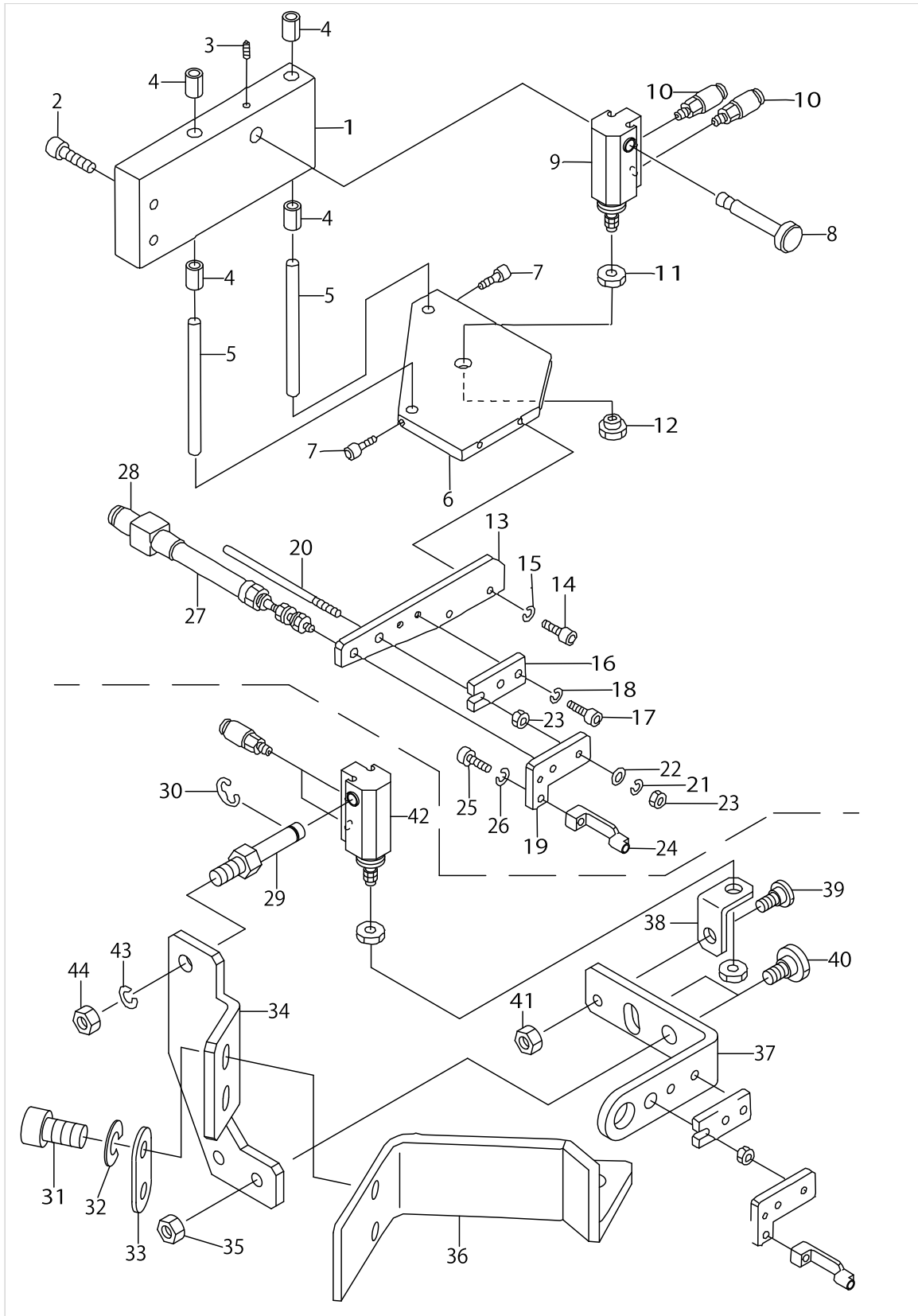
THREAD STAND UNIT COMPONENTS



THREAD STAND UNIT COMPONENTS

No.	Parts No.	Parts name	Remarks	Level	Cons	Qty
1	11969557	THREAD STANDING DEVICE ASM.				1
2	SK3382001SE	SCREW D=3.8 L=20		*		1
3	11969565	SPOOL REST ARM A ASM.		*		1
4	B3319704L00	THREAD GUIDE		*		3
5	B3318704L00A	THREAD GUIDE ARM JOINT		*		4
6	SM6061610SC	SCREW M6 L=16		*		4
7	B3311704000	SPOOL REST ROD CAP		*		1
8	11969466	THREAD GUIDE ARM B ASM.		*		1
9	B3319704L00	THREAD GUIDE		*		2
10	11185204	SPOOL REST ROD UPPER		*		1
11	B3305704000A	SPOOL REST ROD JOINT		*		1
12	NM6050001SE	NUT M5		*		2
13	SM4051405SE	SCREW M5 L=14		*		2
14	B33097040A0	THREAD GUIDE ARM ASM.		*		1
15	B3311804000	LOWER THREAD GUIDE		*		1
16	SS7110540SP	SCREW 11/64-40 L=5		*		1
17	B3309704000	THREAD GUIDE ARM		*		1
18	B3304704000A	THREAD GUIDE ARM HOLDER		*		1
19	SM6053000SE	SCREW M5X0.8 L=30		*		1
20	NM6050001SE	NUT M5		*		1
21	11185105	SPOOL REST ROD LOWER		*		1
22	11185501	SPOOL RETAINER		*		5
23	B3320704L00A	SPOOL PIN		*		5
24	B3311012000	SPOOL REST CUSHION		*		5
25	11966504	SPOOL REST		*		5
26	11969409	THREAD GUIDE ARM B		*		1
27	NM6050001SE	NUT M5		*		5
28	11969508	SPOOL REST ARM A		*		1
29	B3317704000	NUT		*		1
30	WP1612616SE	WASHER 16X30X2.6		*		2
31	B3321704L00	SPOOL REST ARM SUPPORT A		*		1
32	SM4061201SE	SCREW M6 L=12		*		1
33	NM6060001SE	NUT M6		*		1
34	MAO11532000	CORD STAPLE		*		3

THREADING UNIT COMPONENTS (FOR 340N-1)

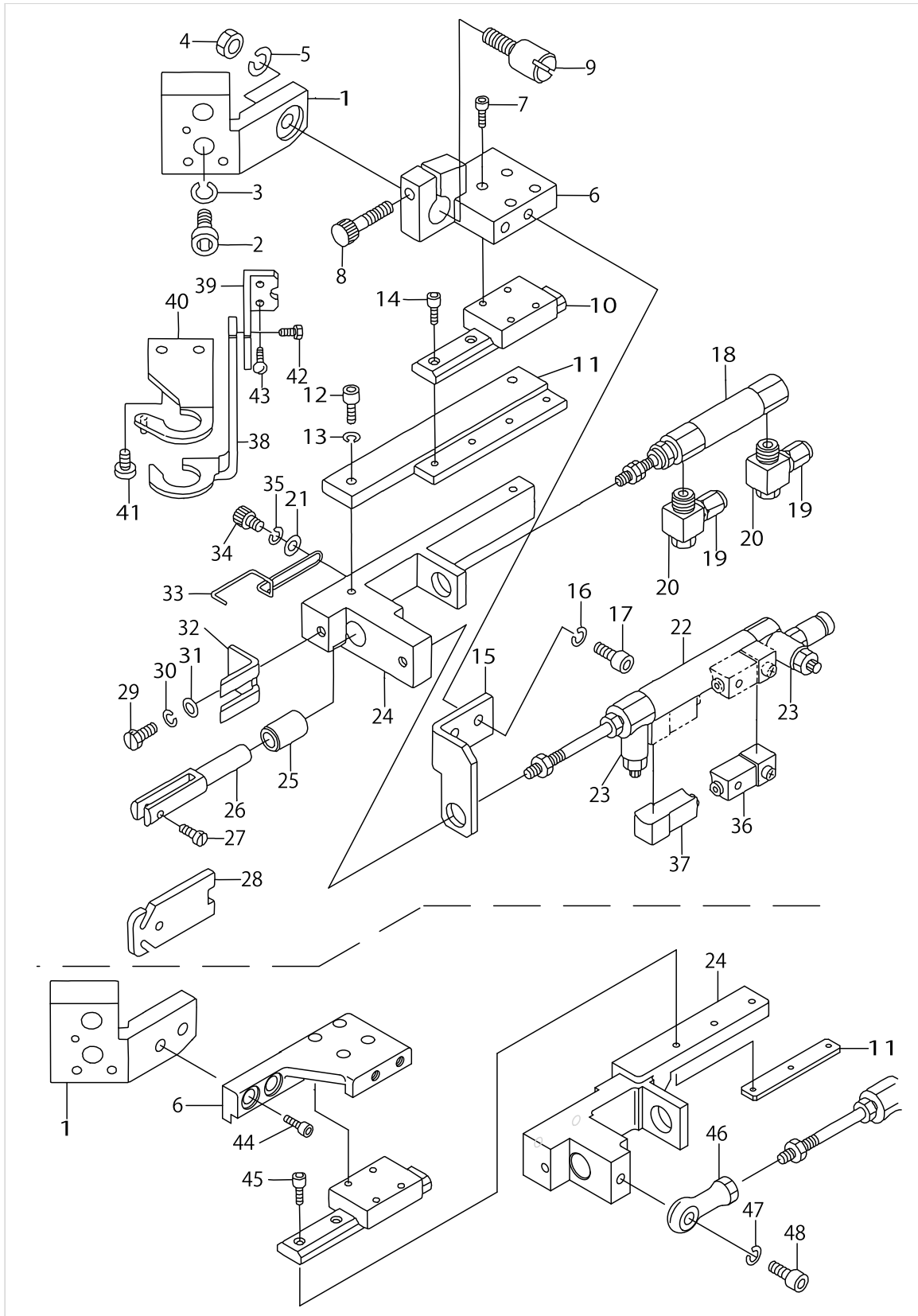


THREADING UNIT COMPONENTS (FOR 340N-1)

No.	Parts No.	Parts name	Remarks	Level	Cons	Qty
1	G5587340000	GUIDE BLOCK				1
2	SM6041802TP	SCREW M4 L=18				2
3	SM8051002TP	SCREW M5 L=10				1
4	G5595340000	METAL				4
5	G5588340000	GUIDE SHAFT				2
6	G5590340000	GUIDE PLATE				1
7	SM6031002TP	HEXAGONAL BOLT M3 X 10				2
8	G5589340000	PIN				1
9	PA1500504A0	AIR CYLINDER				1
10	PJ301040502	HALF UNION 4XM5				2
11	G5594340000	NUT 2				1
12	G5593340000	NUT 1				1
13	G5591340000	CYLINDER BRACKET				1
14	SM6031002TP	HEXAGONAL BOLT M3 X 10				2
15	WS0310002KN	SPRING WASHER M3				2
16	G5557340000A	GUIDE PLATE				1
17	SM6031002TP	HEXAGONAL BOLT M3 X 10				2
18	WS0310002KN	SPRING WASHER M3				2
19	G5592340000A	GUIDE BASE				1
20	G5558340000A	GUIDE PIN				1
21	WS0310002KN	SPRING WASHER M3				1
22	WP0320500SC	WASHER M3				1
23	NM6030001SC	NUT M3				2
24	17787300	THREAD GUIDE				1
25	SM6031002TP	HEXAGONAL BOLT M3 X 10				1
26	WS0310002KN	SPRING WASHER M3				1
27	PA100102000	AIR CYLINDER				1
28	PJ301040502	HALF UNION 4XM5				1



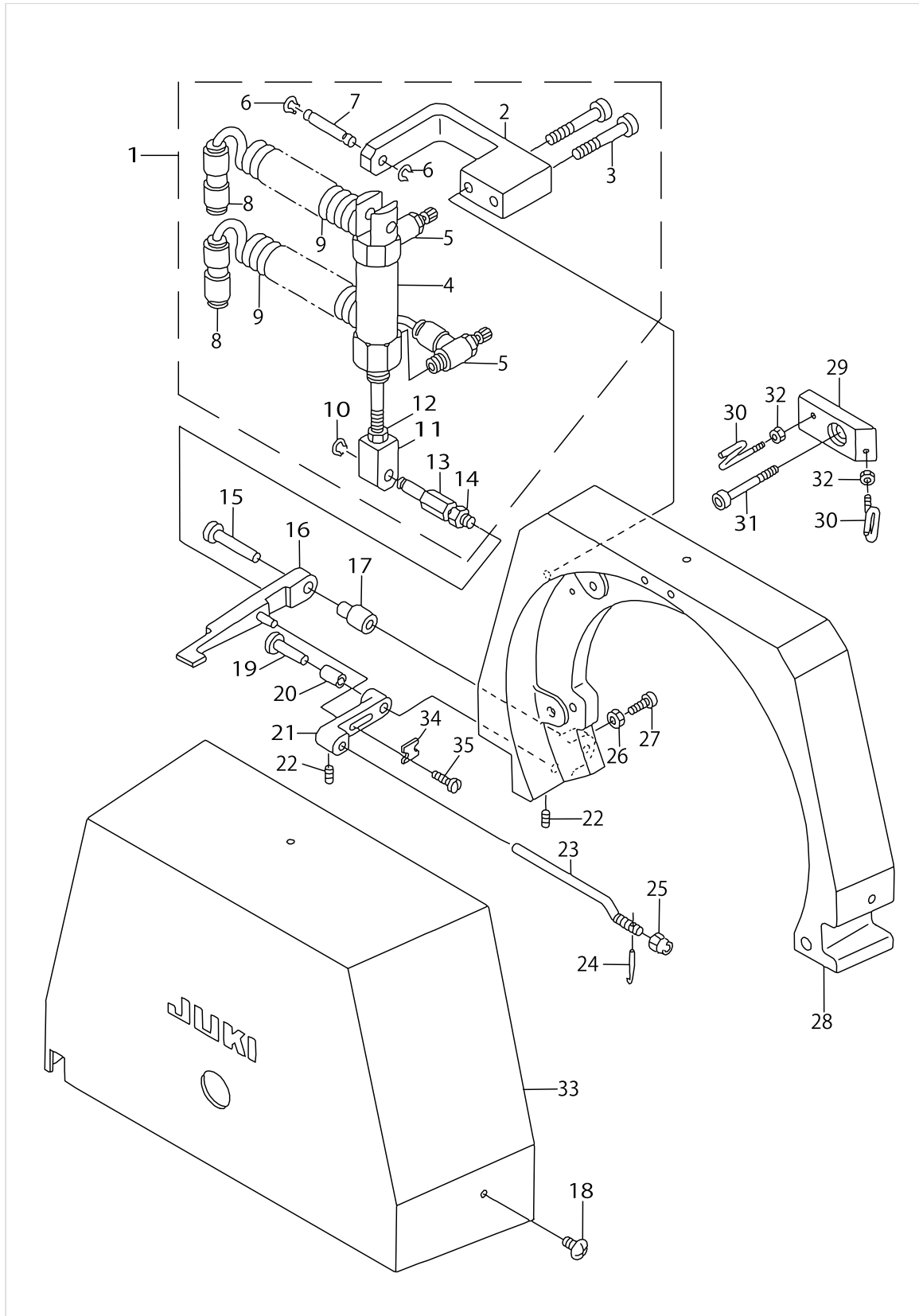
THREAD TRIMMER COMPONENTS (FOR 340N-1)



THREAD TRIMMER COMPONENTS (FOR 340N-1)

No.	Parts No.	Parts name	Remarks	Level	Cons	Qty
1	G5568340000	PIVOT BRACKET				1
2	SM6052002TP	SCREW M5 L=20				2
3	WS0510002KN	SPRING WASHER				2
4	NM6060001SC	NUT M6				1
5	WS0610002KN	SPRING WASHER 6.1X12.2X1.5				1
6	G5569340000	SCISSORS MOUNTING BRACKET				1
7	SM6020752TP	SCREW				4
8	SM6052002TP	SCREW M5 L=20				1
9	G5571340000	PIVOT PIN				1
10	G5574340000	GUIDE BLOCK				1
11	G5573340000	RAIL BASE				1
12	SM6030802TP	SCREW M3X0.5 L=8				2
13	WS0310002KN	SPRING WASHER M3				2
14	SM6020502TN	SCREW M2 L=5				3
15	G5576340000	CYLINDER BRACKET A				1
16	WS0410002KN	SPRING WASHER				2
17	SM6041002TP	SCREW M4 L=10				2
18	PA160050400	AIR CYLINDER				1
19	PJ301040502	HALF UNION 4XM5				2
20	G5680116000	UNIVERSAL ELBOW				2
21	WP0430800SC	WASHER M4				2
22	PA1003502A0	AIR CYLINDER				1
23	PC010508000	SPEED CONTROLLER				2
24	G5575340000	GUIDE BRACKET				1
25	G5570340000	BUSHING B				1
26	G5572340000	KNIFE BAR				1
27	SS6090810SP	SCREW 9/64-40 L= 7.5				1
28	G5626116000	NEEDLE THREAD RELEASE JOINT				1
29	SS9091010SP	SCREW 9/64-40 L=10				1
30	WS0410002KN	SPRING WASHER				1
31	WP0450000SD	WASHER 4.5X8X0.5				1
32	G5630116000	NEEDLE THREAD COUNTER KNIFE				1
33	G5577340000	THREAD HOOK				1
34	SM6040602TP	SCREW M4 L=6				2
35	WS0610002KN	SPRING WASHER 6.1X12.2X1.5				2
36	17771452	DETECT CABLE ASM.				1
37	17771353	DETECT CABLE ASM.				1
38	17794801	TENSION PLATE LOWER				1
39	17794900	INSTALLING PLATE				1
40	G5578340000	TENSION PLATE UPPER				1
41	SM6041002TP	SCREW M4 L=10				2
42	SS9090640SP	SCREW 9/64-40 L=6				2
43	SS4091010SP	SCREW 9/64-40 L=10				2

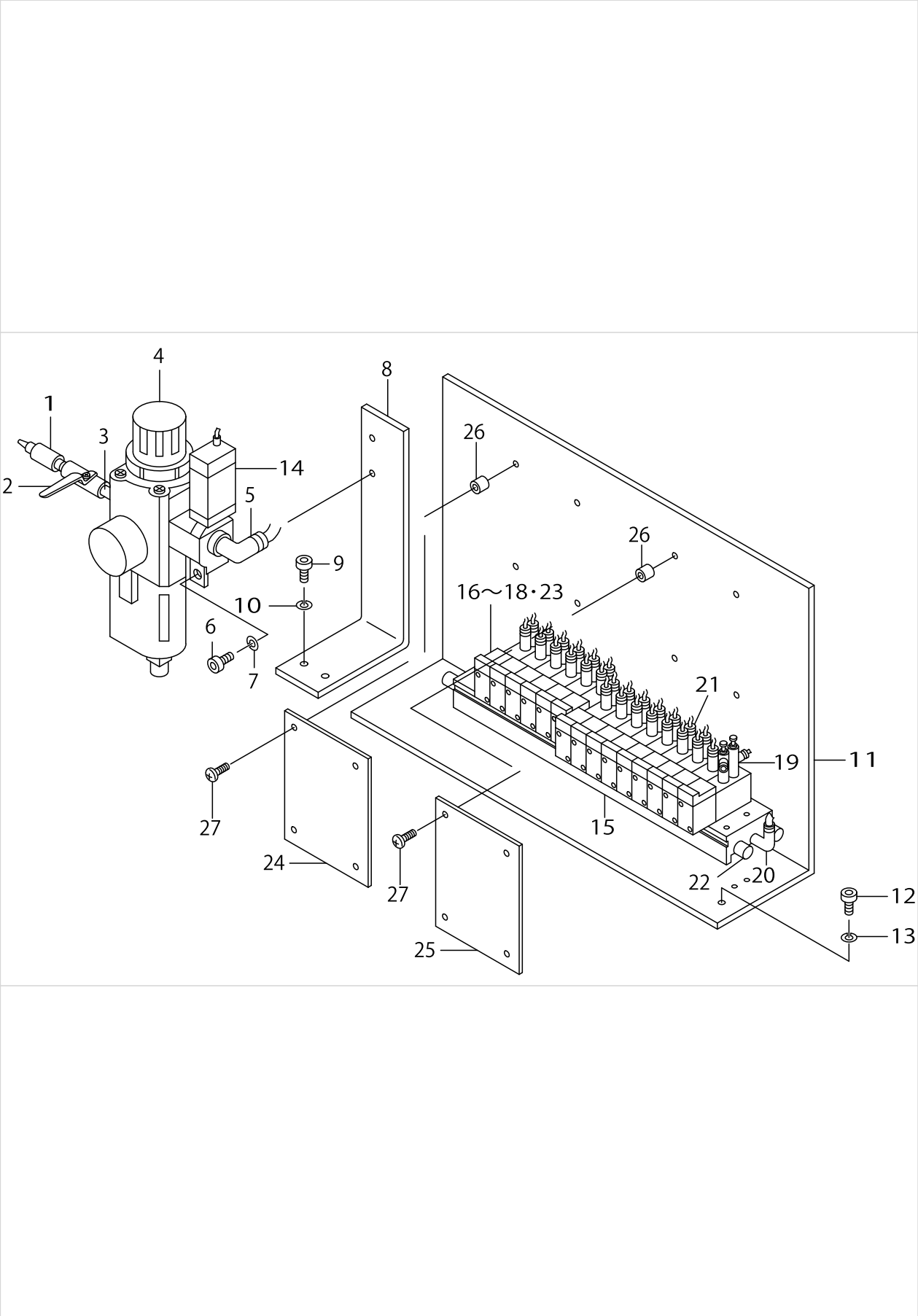
CYLTHREADING INDER COMPONENTS (FOR 340N-1)



CYLTHREADING INDER COMPONENTS (FOR 340N-1)

No.	Parts No.	Parts name	Remarks	Level	Cons	Qty
1	G55603400A0	THREADER CYLINDER UNIT				1
2	G5560340000	CYLINDER BRACKET B		*		1
3	SM6053502TP	BOLT		*		2
4	PA1601512A0	AIR CYLINDER		*		1
5	PC010508000	SPEED CONTROLLER		*		2
6	RC0560711KP	RETAINING RING		*		2
7	16752909	SPACER PIN		*		1
8	PJ304040001	ELBOW		*		2
9	G5582340000	COIL TUBE		*		2
10	G5359340000	SENSOR BRACKET		*		1
11	G5561340000	KNUCKLE JOINT		*		1
12	NM6050001SC	NUT M5		*		1
13	G5562340000	SPACER PIN		*		1
14	NM6050001SC	NUT M5		*		1
15	G5318340000	SHAFT B				1
16	G5316340000	THREADING ARM				1
17	G5317340000	METAL 8				1
18	SM0050801SC	SCREW				3
19	G5321340000	PIVOT SHAFT				1
20	G5320340000	METAL				1
21	G5319340000	FEEDER ARM				1
22	SM8040602TP	SCREW M4X0.7 L=6				2
23	17785601	THREADING BAR				1
24	G5323340000	THREADING NEEDLE				1
25	G5324340000	LOCK NUT				1
26	NM6040001SC	NUT M4				1
27	SM6042502TP	SCREW M4X0.7 L=25				1
28	G5301340000	LOOPER COVER BASE				1
29	G5565340000	ARM THREAD GUIDE BASE				1
30	B1121512000	FRAME THREAD GUIDE				2
31	SM6061202TP	SCREW M6 L=12				1
32	NS6060310SP	NUT 3/32-56				2
33	17785908	LOOPER COVER				1
34	17777905	LEVER STOPPER				1
35	SS7080820SP	SCREW 1/8-44 L=7.7				2

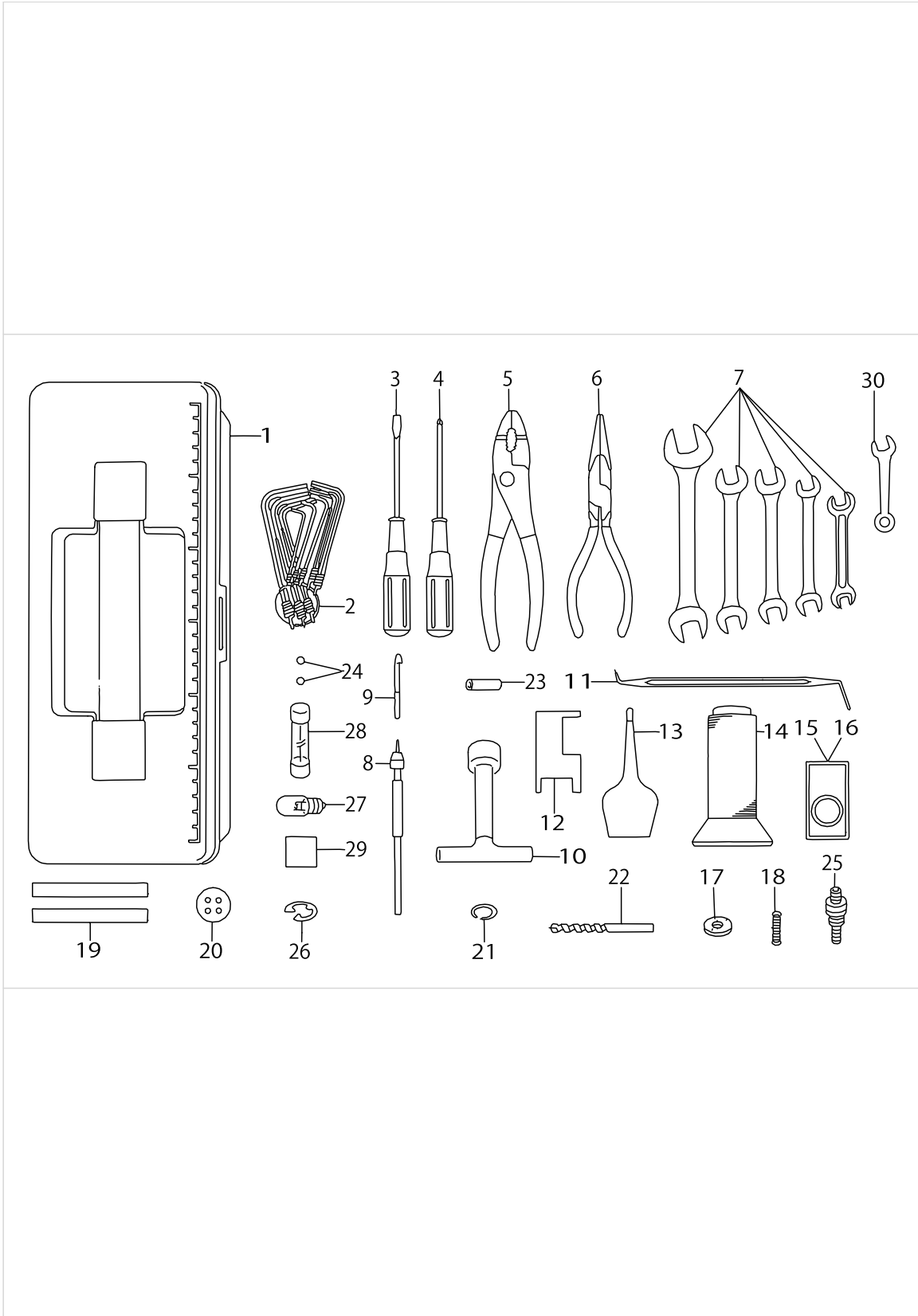
PNEUMATIC COMPONENTS (FOR 340N-1)



PNEUMATIC COMPONENTS (FOR 340N-1)

No.	Parts No.	Parts name	Remarks	Level	Cons	Qty
1	G6815150000	QUICK COUPLER				1
2	G5430116000	AIR COCK				1
3	PJ030520003	1/4 NIPPLE				1
4	PF0552130A0	AIR COMBINATION				1
5	PJ301085201	HALF UNION				1
6	SM6061552TP	SCREW M6 L=15				2
7	WS0610002KN	SPRING WASHER 6.1X12.2X1.5				2
8	17780909	REGULATOR BRACKET				1
9	SM6051202TP	SCREW M5X0.8 L=12				2
10	WS0510002KN	SPRING WASHER				2
11	17780800	SOLENOID VALVE INSTALLING BASE				1
12	SM6051202TP	SCREW M5X0.8 L=12				3
13	WS0510002KN	SPRING WASHER				3
14	17772054	AIR PRESSURE SWITCH CABLE ASM.				1
15	17798604	SOLENOID VALVE INSTALLING BASE				1
16	PV150509000	5-WAY SOLENOID VALVE				11
17	PV130508000	3-WAY SOLENOID VALVE				1
18	PV130509000	5-WAY SOLENOID VALVE				4
19	PF070501000	PRESSURE DECREASING VALVE				2
20	PJ304085101	ELBOW UNION				1
21	PJ301040502	HALF UNION 4XM5				26
22	G5496116A00	SILENCER				4
23	16726101	ADAPTER				6
24	16450454	INPUT TERMINAL BASE ASM.				1
25	16450355	OUTPUT TERMINAL BASE ASM.				1
26	17779109	SUPPORT				8
27	SM4042001SR	SCREW M4 L=20				8

ACCESSORIES COMPONENTS

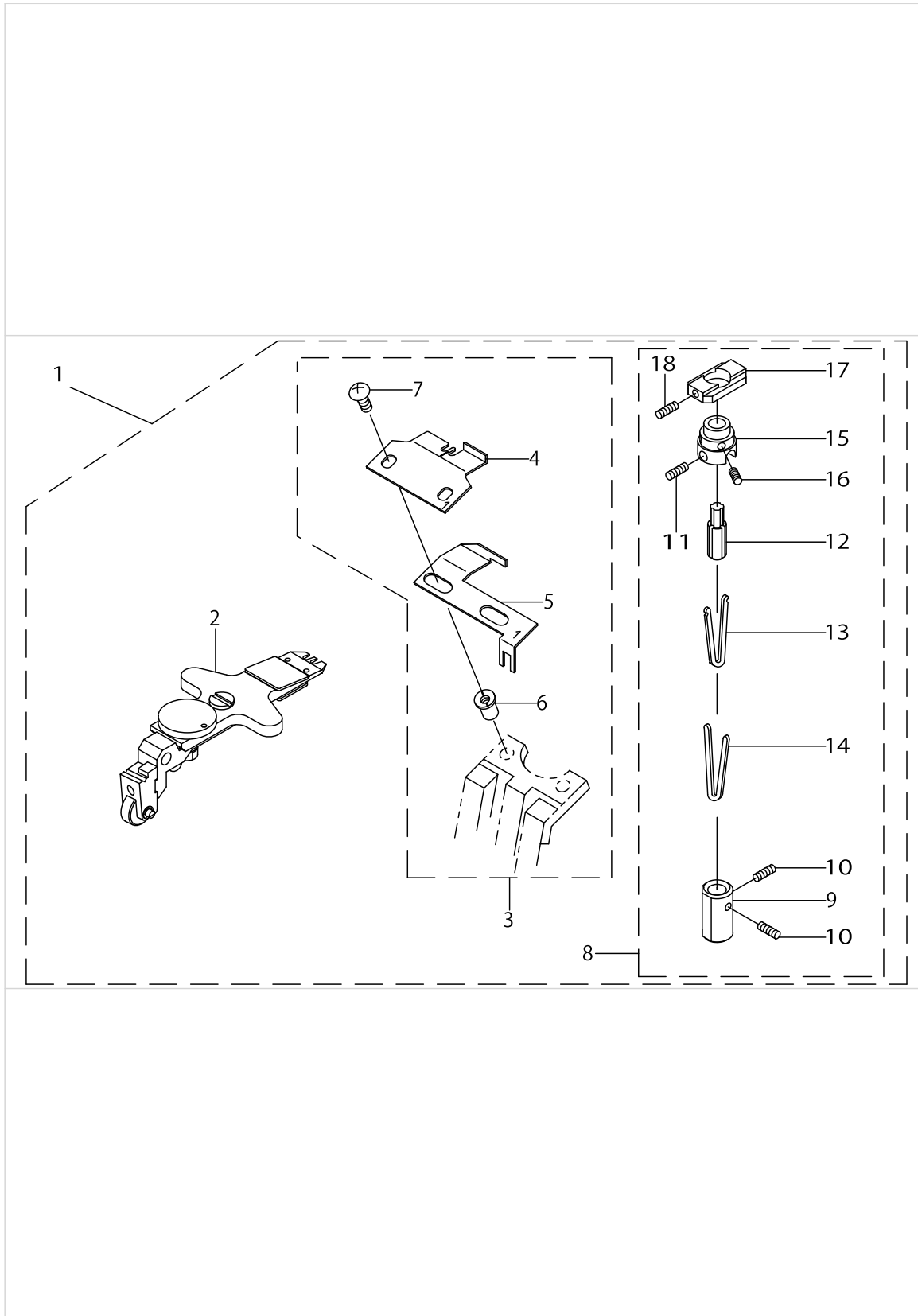


ACCESSORIES COMPONENTS

No.	Parts No.	Parts name	Remarks	Level	Cons	Qty
1	B8601WP10A0	TOOL BOX ASM.				1
2	G91011160A0	L-SHAPED WRENCH ASM.				1
3	B9110012000	SCREW DRIVER MIDDLE				1
4	G9119116000	DRIVER				1
5	G5701340000	PLIER				1
6	G5702340000	CUTTING PLIERS				1
7	G91201160A0	SPANNER ASM.				1
8	G5704340000	THREADING HOLDER				1
9	G5323340000	THREADING NEEDLE				4
10	16757106	WRENCH				1
11	G5258340000	BUTTON HOOK				1
12	G5709340000	NEEDLE BAR GAUGE				1
13	A9102062BA0	OILER WITH OIL				1
14	G5706340000	THREAD				1
15	MDPN20A100T	NEEDLE SET DPN-2000A38	FOR JAPAN			1
16	MC90100100T	NEEDLE SET 7877-40-2000A/38				1
17	G5511340000	RUBBER WASHER				2
18	G5506340000	STOP SPRING				4
19	G5708340000	PIN				2
20	G5707340000	BUTTON GAUGE				1
21	G5513340000	RING				4
22	17779802	DRILL (D=0.3)				1
23	G5504340000	PIN				2
24	G5542340000	STEEL BALL				2
25	G5403139000	QUICK COUPLING				1
26	RE0300000K0	E-RING 3				2
27	HE000120000	LAMP				1
28	E8523304000	FUSE 10A				2
29	17776402	TONGS RUBBER				2
30	25070103	SPANNER				1



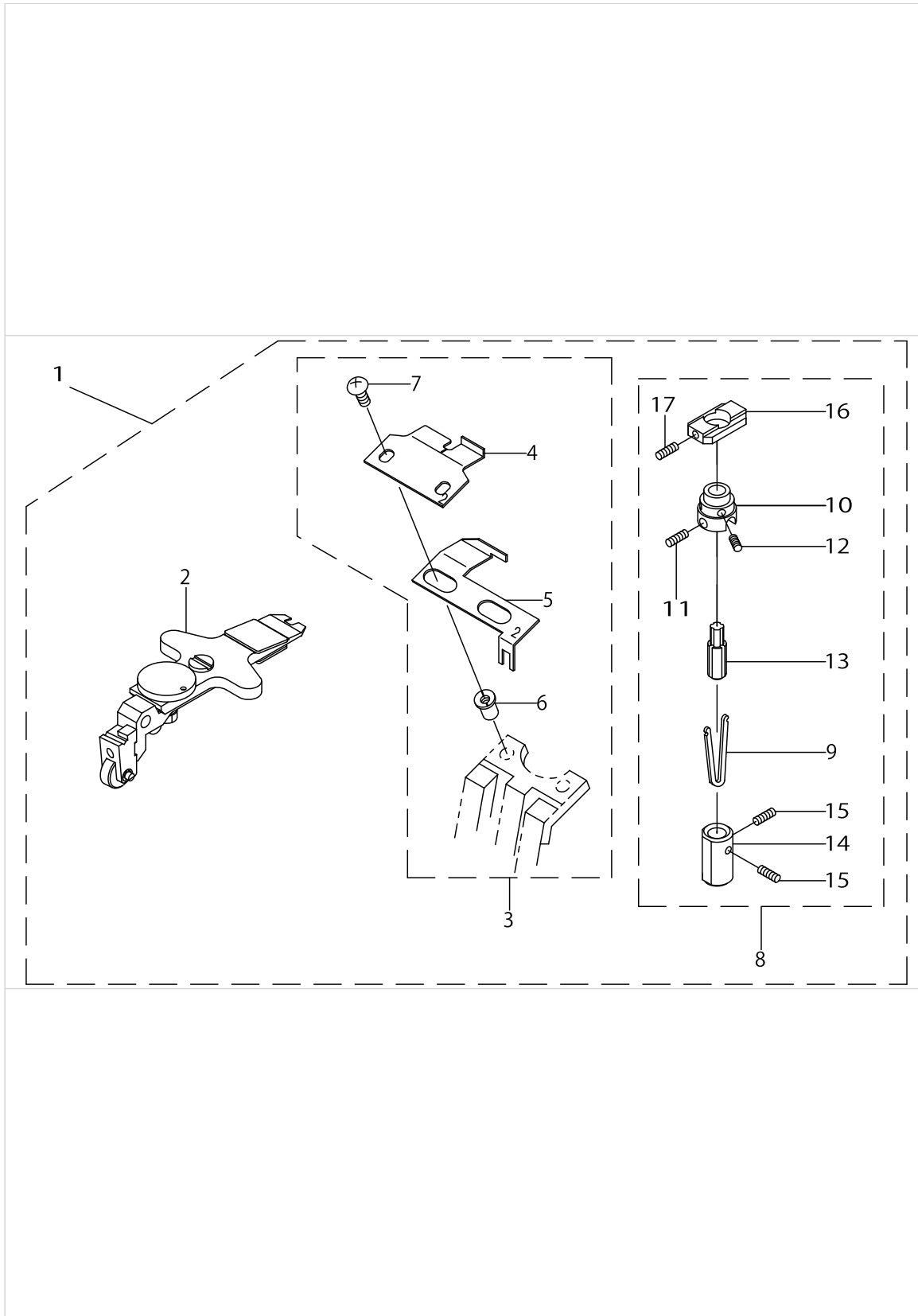
4-HOLED BUTTON ATTACHMENT (S151) COMPONENTS



4-HOLED BUTTON ATTACHMENT (S151) COMPONENTS

No.	Parts No.	Parts name	Remarks	Level	Cons	Qty
1	MAS151010A0A	ATTACHMENT 4 HOLE COUNT				1
2	17788761	TONGS ASM.		*		1
3	17791450	THROAT PLATE ASM.		*		1
4	17791401	THROAT PLATE		*		1
5	17777715	SLIDE THROAT PLATE (4 HOLE)		*		1
6	18196808	ECCENTRIC BUSHING		*		2
7	G5499340000	SCREW		*		2
8	18196550	BUTTON HOLDER ASM.		*		1
9	G5226340000	BOSS A		*		1
10	SM8030502TP	SCREW M3 L=5		*		2
11	SM8040602TP	SCREW M4X0.7 L=6		*		1
12	G5227340000	BOSS B		*		1
13	G5228340000	HOLDING PIN A		*		1
14	G5229340000	HOLDING PIN B		*		1
15	G5230340000	SPACER LINK		*		1
16	SM8030502TP	SCREW M3 L=5		*		2
17	G5265340000	BUTTON HOLDER CAP		*		1
18	SM8030502TP	SCREW M3 L=5		*		1

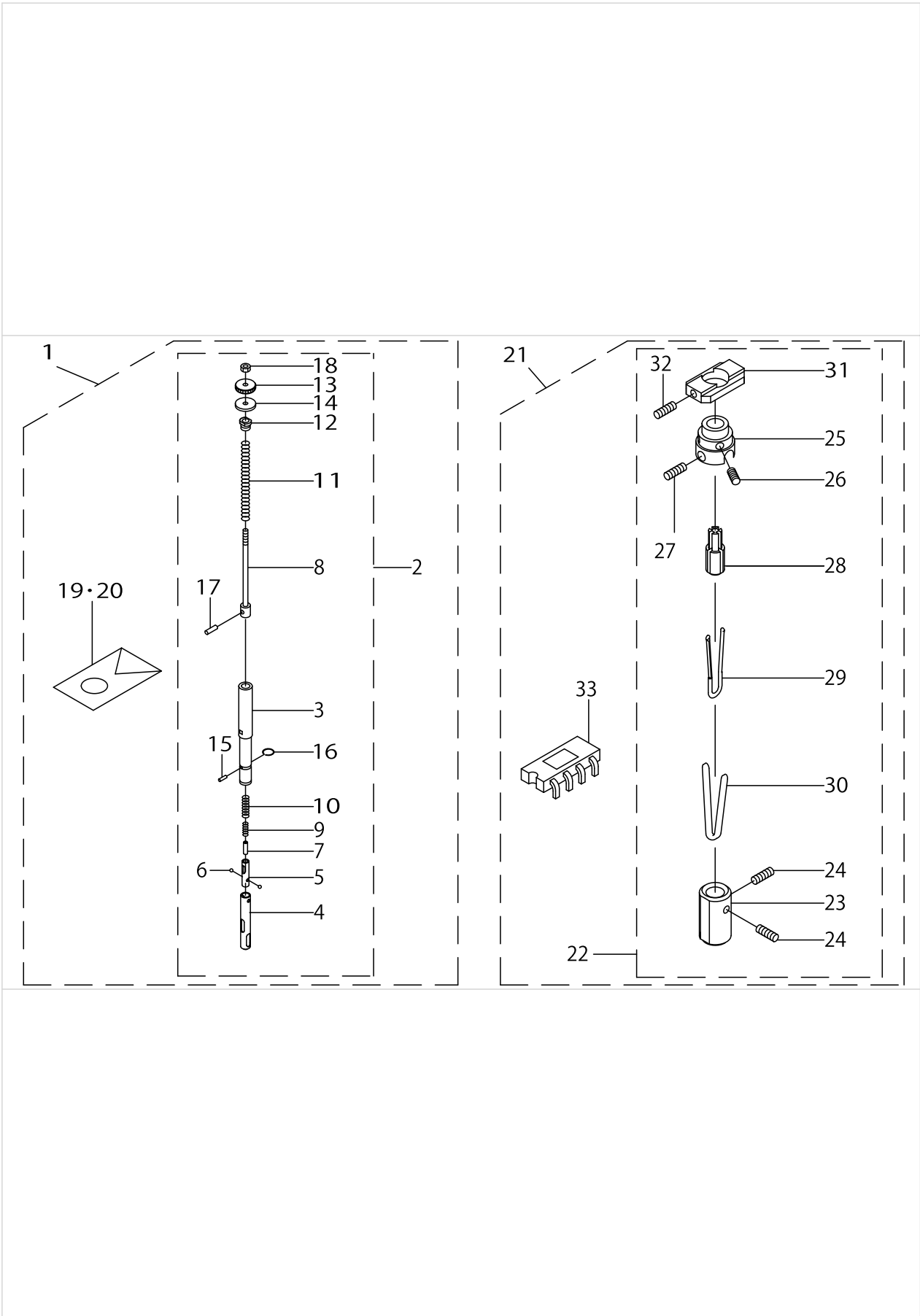
2-HOLED BUTTON ATTACHMENT (S152) COMPONENTS



2-HOLED BUTTON ATTACHMENT (S152) COMPONENTS

No.	Parts No.	Parts name	Remarks	Level	Cons	Qty
1	MAS152010A0A	ATTACHMENT 2 HOLE COUNT ASM.				1
2	17792052	TONGS ASM.		*		1
3	17792151	THROAT PLATE ASM.		*		1
4	17792102	THROAT PLATE		*		1
5	17792219	SLIDE THROAT PLATE(2 HOLE)		*		1
6	18196808	ECCENTRIC BUSHING				1
7	G5499340000	SCREW		*		2
8	18195156	BOTTON HOLDER ASM.		*		1
9	G5228340000	HOLDING PIN A		*		1
10	18195107	SPACER LINK		*		1
11	SM8040602TP	SCREW M4X0.7 L=6		*		1
12	SM8030502TP	SCREW M3 L=5		*		2
13	G5227340000	BOSS B		*		1
14	G5226340000	BOSS A		*		1
15	SM8030502TP	SCREW M3 L=5		*		2
16	G5265340000	BUTTON HOLDER CAP		*		1
17	SM8030502TP	SCREW M3 L=5		*		1

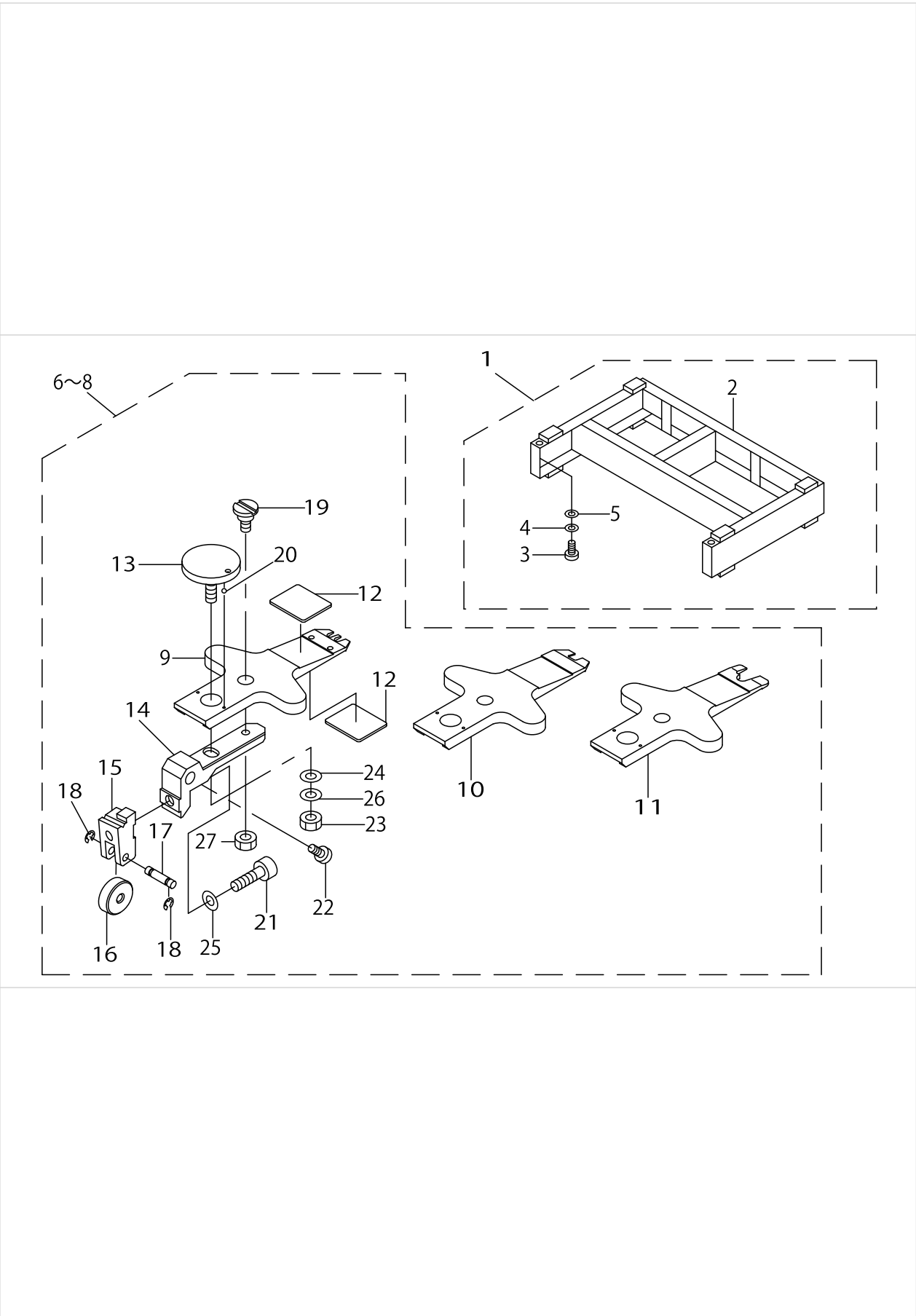
OPTIONAL PART COMPONENTS (1)



OPTIONAL PART COMPONENTS (1)

No.	Parts No.	Parts name	Remarks	Level	Cons	Qty
1	17795865	NEEDLE BAR #49 COMPL.				1
2	17795857	NEEDLE ROD ASM.		*		2
3	G5501340000	SUPPORT CYLINDER		*		2
4	17795808	SUPPORT SLEEVE		*		2
5	G5503340000	STEEL BALL HOLDER		*		2
6	G5542340000	STEEL BALL		*		4
7	G5504340000	PIN		*		2
8	G5505340000	SUPPORT SLEEVE ROD		*		2
9	G5506340000	STOP SPRING		*		2
10	G5507340000	LOCK SPRING		*		2
11	G5508340000	BAR SPRING		*		2
12	G5509340000	BOLT		*		2
13	18195909	NEEDLE BAR		*		2
14	G5511340000	RUBBER WASHER		*		2
15	G5512340000	STOP PIN		*		2
16	G5513340000	RING		*		2
17	G5514340000	PIN		*		2
18	G5515340000	NUT		*		2
19	MDPN20B1150	NEEDLE DPN-2000A/49	SELECTIVE PARTS(FOR JAPAN)	*		1
20	MC901001150	NEEDLE 2000A/49		*		1
21	18195560	HOLDER COMPL.				1
22	18195552	HOLDER ASM.		*		1
23	18195206	BOSS C		*		1
24	SM8030502TP	SCREW M3 L=5		*		2
25	18195305	SPACER LINK		*		1
26	SM8030502TP	SCREW M3 L=5		*		4
27	SM8040602TP	SCREW M4X0.7 L=6		*		1
28	18195404	BOSS D		*		1
29	18195503	HOLDING PIN C		*		1
30	18195602	HOLDING PIN D		*		1
31	G5265340000	BUTTON HOLDER CAP		*		1
32	SM8030502TP	SCREW M3 L=5		*		1
33	HL007170334	IC		*		1

OPTIONAL PART COMPONENTS (2)



OPTIONAL PART COMPONENTS (2)

No.	Parts No.	Parts name	Remarks	Level	Cons	Qty
1	18196659	TABLE STAND ASM.				1
2	G5034340000	STAND ASM.		*		1
3	SM6123002TP	SCREW M12 L=30		*		4
4	WS1220002KN	SPRING WASHER		*		4
5	WP1302501SC	WASHER 13X24X2.5		*		4
6	18196253	TANG ASM.	FOR 4-HOLED BUTTON			1
7	18196451	AUXILIARY TONGS ASM. (2 HOLE)				1
8	18196352	AUXILIARY TONGS METAL ASM.				1
9	18196204	AUXILIARY TONGS	FOR 4-HOLED BUTTON	*		1
10	18196402	AUXILIARY TONGS		*		1
11	18196303	AUXILIARY TONGS METAL		*		1
12	17776402	TONGS RUBBER		*		2
13	18196105	AUXILIARY TONGS ADJUSTING CAM		*		1
14	18196006	AUXILIARY TONGS BASE		*		1
15	17776006	TONGS CHANGING CAM		*		1
16	17776501	TONGS CHANGING CAM		*		1
17	G5473340000	ROLLER SHAFT		*		1
18	RE0200000K0	E-RING		*		2
19	SD0450211SP	HINGE SCREW D=4.50 H=2.1		*		1
20	17779505	STEEL BALL		*		2
21	SM6041002TP	SCREW M4 L=10		*		1
22	SM6030602TP	SCREW M3X0.5 L=6		*		1
23	17798406	U NUT		*		1
24	WZ0430200KH	WAVED WASHER		*		1
25	WP0430800SC	WASHER M4		*		1
26	WP0430801SC	WASHER 4.3X9X0.8		*		1



LIST FOR INFORMATION OF CHANGE

As to the place changed, refer to the corresponding Rev.No.  
 When previous parts(Obsoleted part)and new parts(Added parts)are  
 not interchangeable with each other:  
 In this case, even obsoleted parts(D.)can be ordered with the  
 obsoleted part number, so select the parts with changed dates and  
 place your orders.

変更箇所は、該当Rev.No.版をご参照ください。  
 部品の互換性がない変更の場合は、削除された品番でも、ご注文できます。

290947037  
 No.0770-03 Rev.No.

\*A:Added parts追加部品/D:Obsoleted parts削除部品/E:Erratum訂正

*	Rev. No.	Page 頁	Ref. No.	Parts No. 品番	*	Rev. No.	Page 頁	Ref. No.	Parts No. 品番
D	02	4	2	SM-6102002-TP	A	03	4	2	SM-6041602-TP
D	02	4	3	WS-1002560-KR	A	03	4	3	WS-0410002-KN
D	02	4	4	177-83507	A	03	4	4	181-99406
D	02	22	15	177-98208	A	03	22	15	181-99703
D	02	22	16	177-86609	A	03	22	16	181-99505
D	02	40	9	PA-1501006-A0	A	03	40	9	PA-1500504-A0
D	02	47	1	MAS-151010A0	A	03	47	1	MAS-151010A0-A
D	02	47	5	177-77707	A	03	47	5	177-77715
D	02	48	1	MAS-152010A0	A	03	48	1	MAS-152010A0-A
D	02	48	5	177-92201	A	03	48	5	177-92219
D	03	48	6	177-91104	A	03	48	6	181-96808
D	02	49	1	MAS-153010A0	A	03	49	1	MAS-153010A0-A
D	02	49	5	181-95800					

## HOW TO MAKE USE OF THIS PARTS LIST

### 1.Explanation of codes

1)"\*"mark.....means this part is changed from the previous parts book.

As to the details of the change, refer to the "List for information of change".

2)"#01".....refer to "Note" explanation at bottom of page.

### 2.Codes on the "Qty" column

• Each numeral indicates the number of parts required.

• "0.1" and "2.5" indicate the length (in meters) of the respective parts.

3.Parentheses mean that the corresponding part is a subpart that constructs an assembly part.

4.Dotted lines on the Figures indicate assembly parts.

### 1."注記"欄の記号説明

1) "\*"印.....前回のパーツブックに比較して今回変更された部品を意味します。

変更内容は、"変更情報リスト"を参照してください。

2) "#01".....ページ下の"注記"の説明を参照してください。

2.数量欄の数字は、個数を表し、0.1、2.5等の数値は、長さ（単位メートル）を表します。

3.数量欄の（ ）は、組部品を構成している子部品であることを意味します。

4.イラストページの-----枠は、組構成であることを意味します。

# NUMERICAL INDEX OF PARTS

PART NO	PAGE	REF NO.	PART NO	PAGE	REF NO.	PART NO	PAGE	REF NO.
11159001	8	47	17767450	62	36	17771650	32	65
11185105	68	21	17767559	62	37	17771650	62	15
11185204	68	10	17767658	62	38	17771759	36	30
11185501	68	22	17767757	62	39	17771759	62	16
11966504	68	25	17767856	62	40	17771858	36	29
11969409	68	26	17767955	62	41	17771858	62	17
11969466	68	8	17768052	62	42	17771957	4	63
11969508	68	28	17768102	58	1	17771957	62	18
11969557	68	1	17768201	60	51	17772054	62	19
11969565	68	3	17768359	62	43	17772054	66	14
16450355	66	26	17768409	58	37	17772054	76	14
16450355	76	25	17768557	58	43	17772153	62	20
16450454	66	25	17768656	58	45	17772252	62	3
16450454	76	24	17768755	58	38	17772351	62	4
16517559	64	50	17768805	58	34·35	17772450	62	5
16517658	64	51	17768904	58	34·35	17772559	62	21
16520157	60	52	17769001	58	36	17772658	62	22
16541005	58	32	17769159	62	44	17772757	62	23
16541104	58	41	17769258	62	45	17772856	62	6
16541203	60	48	17769357	62	46	17772955	62	24
16542508	58	33	17769456	62	47	17773052	62	25
16721102	8	30	17769555	60	56	17773151	62	26
16726101	66	16~ 18·24	17769654	60	49	17773250	62	27
16726101	76	16~ 18·23	17769753	58	7	17773359	62	7
16726200	66	23	17769852	58	8	17773458	62	28
16748204	8	35	17769951	64	48	17773508	4	64
16749418	8	29	17770009	58	30	17773607	4	62
16752909	74	7	17770108	58	31	17773953	8	22·23
16756108	30	2	17770355	36	22	17773961	8	1·2
16757106	16	26	17770454	36	23	17774050	8	22·23
16757106	78	10	17770553	6	1	17774068	8	1·2
16781205	2	41	17770751	62	8	17776006	86	15
16870206	4	50	17770850	62	9	17776105	50	75
17762956	62	29	17770959	62	10	17776204	50	69
17763152	62	30	17771056	62	11	17776303	50	71
17763350	58	4	17771155	44	87	17776402	78	29
17763558	58	2	17771155	62	12	17776402	86	12
17763756	62	31	17771254	44	88	17776501	86	16
17763855	62	32	17771254	62	13	17776600	48	28
17764358	62	33	17771353	62	1	17776709	38	20
17764457	62	34	17771353	72	37	17776808	48	31
17764556	64	49	17771452	62	2	17776907	48	43
17767054	12	9	17771452	72	36	17777004	48	46
17767153	62	35	17771551	30	15	17777103	48	37
			17771551	62	14	17777202	48	39

NUMERICAL INDEX OF PARTS

PART NO	PAGE	REF NO.	PART NO	PAGE	REF NO.	PART NO	PAGE	REF NO.
17777301	2	34	17782004	52	15	17785908	74	33
17777400	36	34	17782004	56	7	17786005	54	64
17777509	24	57	17782053	52	1	17786104	54	56
17777608	30	42	17782053	56	1	17786203	54	68
17777707	50	50	17782103	42	4	17786302	54	67
17777715	80	5	17782202	16	3	17786401	32	53
17777806	30	44	17782301	12	29	17786500	54	71
17777905	32	70	17782400	6	22	17786708	36	20
17777905	74	34	17782509	6	11	17786807	12	16
17778002	44	93	17782608	12	26	17786906	12	3
17778101	44	89	17782707	16	1	17787003	12	10
17778200	50	85	17782806	12	38	17787102	36	11
17778309	50	61	17782905	16	7	17787201	40	61
17778408	50	55	17783002	12	40	17787300	70	24
17778507	42	26	17783101	12	32	17787409	38	12
17778606	42	2	17783200	6	14	17787508	38	10
17778705	42	29	17783309	6	12	17787607	38	14
17778804	44	48	17783408	6	8	17787706	38	8
17779000	32	48	17783606	12	23	17787904	38	46
17779109	66	27	17783705	16	22	17788001	36	24
17779109	76	26	17783804	16	25	17788100	36	31
17779307	24	58	17783903	6	17	17788217	42	25
17779505	86	20	17784000	42	10	17788308	42	34
17779604	30	46	17784067	42	1	17788407	42	37
17779802	78	22	17784109	42	11	17788506	44	63
17780008	2	37	17784208	18	47	17788605	44	75
17780107	4	48	17784307	42	12	17788761	50	83
17780206	2	21	17784406	42	14	17788761	80	2
17780305	2	17	17784505	22	15	17789108	48	3
17780404	2	29	17784604	22	32	17789207	38	16
17780503	2	27	17784703	24	69	17789306	50	81
17780602	2	7	17784802	24	59	17789405	2	14
17780701	2	8	17784901	28	53	17789454	2	9
17780800	66	11	17785007	36	1	17789504	2	13
17780800	76	11	17785114	38	1	17789603	50	78
17780909	66	8	17785205	36	40	17789801	50	64
17780909	76	8	17785205	38	5	17789900	48	15
17781006	2	25	17785304	30	36	17790007	48	17
17781105	2	44	17785403	30	4	17790106	48	18
17781204	2	45	17785502	30	1	17790205	48	2
17781303	4	54	17785601	30	30	17790254	48	1
17781402	2	23	17785601	74	23	17790304	48	21
17781501	2	19	17785700	30	12	17790403	48	38
17781600	4	52·53	17785809	30	8	17791005	40	55
17781709	4	52·53	17785908	32	67	17791104	50	48

# NUMERICAL INDEX OF PARTS

PART NO	PAGE	REF NO.	PART NO	PAGE	REF NO.	PART NO	PAGE	REF NO.
17791401	50	51	17798109	36	3	25149105	22	4
17791401	80	4	17798406	42	6	25149808	30	41
17791450	48	47	17798406	86	23	25152109	16	40
17791450	80	3	17798604	66	15	25152208	24	55
17792052	82	2	17798604	76	15	A602020201B	16	35
17792102	82	4	17798703	18	19	A9102062BA0	78	13
17792151	82	3	17798802	18	14	B1121512000	74	30
17792219	82	5	17798802	50	52	B1652704000	50	87
17793605	18	24	17799008	6	36	B1707555000	50	54
17793704	18	27	17799107	6	25	B3304704000A	68	18
17793803	18	21	17799206	16	4	B3305704000A	68	11
17793902	18	13	17799404	18	15	B3309704000	68	17
17794009	18	4	17799404	50	53	B33097040A0	68	14
17794108	18	2	17799602	18	33	B3311012000	68	24
17794207	18	32	17799701	48	40	B3311704000	68	7
17794306	20	55	17799800	50	73	B3311804000	68	15
17794405	18	8	17848458	2	1	B3317704000	68	29
17794504	20	56	17848508	2	3	B3318704L00A	68	5
17794603	48	22	18195107	82	10	B3319704L00	68	9
17794702	48	23	18195156	82	8	B3320704L00A	68	23
17794801	72	38	18195206	84	23	B3321704L00	68	31
17794900	72	39	18195305	84	25	B4122052000	48	32
17795006	40	48	18195404	84	28	B8153771000	10	54
17795105	40	49	18195503	84	29	B8601WP10A0	78	1
17795808	84	4	18195552	84	22	B9110012000	78	3
17795857	84	2	18195560	84	21	CM300100102	4	56
17795865	84	1	18195602	84	30	CM300200001	4	72
17796103	26	1	18195909	84	13	CM300200001	32	72-73
17796202	44	66	18196006	86	14	CM300200001	34	25
17796301	38	21	18196105	86	13	CM3002000A3	4	71
17796400	4	51	18196204	86	9	CM3002000B1	34	24
17796509	18	20	18196253	86	6~8	CM3002000D1	32	72-73
17796608	18	5	18196303	86	11	CM300200301	4	73
17796707	18	6	18196352	86	6~8	CM3002003A1	4	74
17797101	12	37	18196402	86	10	CM300600102	4	70
17797101	16	2	18196451	86	6~8	CM500000001	4	57
17797200	12	31	18196550	22	21	CM500000001	60	61
17797309	12	36	18196550	80	8	CM500200001	30	39
17797408	12	28	18196659	86	1	D8113555B00	10	48
17797507	6	27	18196808	80	6	E8523304000	58	20
17797606	6	19	18196808	82	6	E8523304000	78	28
17797705	6	16	18199406	6	4	G5010340000	2	31
17797804	6	18	18199505	36	16	G5019340000	2	36
17797903	6	10	18199703	36	15	G5021116000	2	6
17798000	20	59	25070103	78	30	G5027340000	2	43

# NUMERICAL INDEX OF PARTS

PART NO	PAGE	REF NO.	PART NO	PAGE	REF NO.	PART NO	PAGE	REF NO.
G5029340000	8	20·21	G5149340000	18	35	G5222340000	22	41
G5034340000	86	2	G5151340000	16	34	G5223340000	22	40
G5064116000	8	26	G5152340000	20	48	G5224340000	22	45
G5065116A00	8	17	G5153340000	20	51	G5225340000	22	46
G5067116A00	8	13	G5153340000	40	60	G5226340000	22	30
G5069116A00	8	14	G5154340000	54	53	G5226340000	52	24
G5072116000	8	27	G5155340000	54	50	G5226340000	56	23
G5073116000	8	28	G5156340000	54	52	G5226340000	80	9
G5074116000	8	7	G5157340000	52	44	G5226340000	82	14
G5075116A00	8	10	G5158340000	54	48	G5227340000	22	29
G5077116A00	8	3	G5160340000	54	61	G5227340000	80	12
G5078116000	8	9	G5161340000	16	37	G5227340000	82	13
G5087116A00	8	19	G5162340000	6	30	G5228340000	22	27
G5088116A00	8	11	G5163340000	6	31	G5228340000	80	13
G5101340000	6	35	G5165340000	6	32	G5228340000	82	9
G5109340000	12	45	G5166340000	6	34	G5229340000	22	28
G5109340000	16	13	G5173340000	52	33	G5229340000	80	14
G5110340000	12	39	G5173340000	56	33	G5230340000	22	24
G5110340000	16	8	G5174340000	52	37	G5230340000	80	15
G5112340000	12	43	G5174340000	56	37	G5231340000	26	33
G5112340000	16	11	G5178340000	24	65	G5233340000	28	61
G5116340000	52	32	G5178340000	30	20	G5235340000	28	51
G5116340000	56	32	G5179340000	16	27	G5236340000	28	50
G5117340000	52	34	G5179340000	26	30	G5237340000	26	27
G5117340000	56	34	G5180340000	18	1	G5238340000	26	29
G5118340000	56	30	G5180340000	26	20	G5239340000	26	32
G5119340000	52	30	G5181340000	26	22	G5240340000	26	37
G5120340000	52	41	G5182340000	26	21	G5241340000	26	41
G5120340000	56	41	G5183340000	26	23	G5242340000	28	48
G5121340000	52	40	G5201340000	24	60	G5243340000	26	36
G5121340000	56	40	G5204340000	22	7	G5244340000	26	24
G5122340000	52	42	G52043400A0	22	6	G5245340000	26	14
G5122340000	56	42	G5205340000	24	54	G5246340000	26	11
G5130340000	24	64	G5206340000	24	52	G5247340000	26	13
G5130340000	30	19	G5207340000	24	50	G5248340000	26	17
G5131340000	24	66	G5208340000	22	5	G5249340000	26	12
G5134340000	6	39	G5209340000	22	1	G5250340000	26	3
G5135340000	18	45	G5212340000	22	10	G5254340000	48	74
G5137340000	18	25	G5213340000	24	75	G5254340000	50	74
G5141340000	18	43	G5216340000	24	62	G5255340000	48	26
G5142340000	18	41	G5218340000	22	34	G5256340000	26	4
G5144340000	16	28	G52183400A0	22	33	G5257340000	26	7
G5146340000	16	9	G5219340000	22	42	G5258340000	78	11
G5147340000	16	32	G5220340000	22	43	G5259340000	22	18
G5148340000	18	34	G5221340000	22	36	G5261340000	12	4

# NUMERICAL INDEX OF PARTS

PART NO	PAGE	REF NO.	PART NO	PAGE	REF NO.	PART NO	PAGE	REF NO.
G5261340000	22	47	G5345340000	12	1	G5467340000	48	10
G5262340000	26	40	G5346340000	12	41	G5468340000	48	11
G5263340000	26	44	G5358340000	12	7	G5472340000	50	67
G5264340000	26	39	G5359340000	74	10	G5473340000	86	17
G5265340000	22	22	G5403139000	78	25	G5480340000	2	10
G5265340000	80	17	G5410340000	40	65	G5481340000	2	11
G5265340000	82	16	G5411340000	48	20	G5482340000	2	12
G5265340000	84	31	G5414340000	48	35	G5483340000	36	35
G5267340000	28	62	G5415340000	38	26	G5485340000	36	2
G5301340000	30	17	G5416340000	38	31	G5486340000	36	4
G5301340000	74	28	G5417340000	38	33	G5487340000	36	5
G5301340A00	30	18	G5417340000	48	13	G5488340000	38	2
G5305340000	32	49	G5418340000	38	35	G5489340000	38	3
G5307340000	30	34	G5419340000	38	38	G5490340000	38	4
G5309340000	30	37	G5420340000	38	39	G5491340000	36	14
G5310340000	32	56	G5421340000	38	37	G5495340000	42	27
G5311340000	30	40	G5422340000	38	43	G5496116A00	66	22
G5316340000	30	21	G5424340000	38	44	G5496116A00	76	22
G5316340000	74	16	G5429340000	38	27	G5499340000	50	49
G5317340000	30	22	G5430116000	66	2	G5499340000	80	7
G5317340000	74	17	G5430116000	76	2	G5499340000	82	7
G5318340000	30	24	G5430340000	36	7	G5501340000	52	12
G5318340000	74	15	G5432340000	40	50	G5501340000	56	14
G5319340000	30	27	G5440340000	44	52	G5501340000	84	3
G5319340000	74	21	G5442340000	42	36	G5503340000	52	16
G5320340000	30	28	G5444340000	44	69	G5503340000	56	8
G5320340000	74	20	G5445340000	18	12	G5503340000	84	5
G5321340000	30	29	G5445340000	42	41	G5504340000	52	18
G5321340000	74	19	G5445340000	50	66	G5504340000	56	10
G5322340000	30	32	G5447340000	42	42	G5504340000	78	23
G5323340000	74	24	G5448340000	42	39	G5504340000	84	7
G5323340000	78	9	G5449340000	42	47	G5505340000	52	2
G5324340000	30	33	G5450340000	42	45	G5505340000	56	17
G5324340000	74	25	G5451340000	44	70	G5505340000	84	8
G5325340000	30	23	G5452340000	44	74	G5506340000	52	19
G5328340000	34	10	G5453340000	42	43	G5506340000	56	11
G5329340000	34	4	G5454340000	44	55	G5506340000	78	18
G5330340000	34	7	G5455340000	44	54	G5506340000	84	9
G5334340000	34	8	G5456340000	44	60	G5507340000	52	20
G5335340000	34	21	G5457340000	44	58	G5507340000	56	12
G5336340000	34	1	G5460340000	44	53	G5507340000	84	10
G5337340000	34	3	G5463340000	50	84	G5508340000	52	4
G5338340000	34	2	G5464340000	48	6	G5508340000	56	18
G5339340000	34	18	G5465340000	48	8	G5508340000	84	11
G5343340000	12	5	G5466340000	48	9	G5509340000	52	5

# NUMERICAL INDEX OF PARTS

PART NO	PAGE	REF NO.	PART NO	PAGE	REF NO.	PART NO	PAGE	REF NO.
G5509340000	56	19	G5541340000	14	51	G5702340000	78	6
G5509340000	84	12	G5541340000	16	19	G5704340000	78	8
G5510340000	52	7	G5542340000	52	17	G5706340000	78	14
G5510340000	56	21	G5542340000	56	9	G5707340000	78	20
G5511340000	52	6	G5542340000	78	24	G5708340000	78	19
G5511340000	56	20	G5542340000	84	6	G5709340000	78	12
G5511340000	78	17	G5543340000	52	28	G5837116000	40	52
G5511340000	84	14	G5543340000	56	27	G5840116000	8	38
G5512340000	52	13	G5545340000	42	3	G5846116000	2	38
G5512340000	56	15	G5557340000A	70	16	G5854116000	8	15
G5512340000	84	15	G5558340000A	70	20	G60733400A0	4	58
G5513340000	52	14	G5560340000	74	2	G60773400A0	4	59
G5513340000	56	13	G55603400A0	74	1	G6815150000	66	1
G5513340000	78	21	G5561340000	74	11	G6815150000	76	1
G5513340000	84	16	G5562340000	74	13	G91011160A0	78	2
G5514340000	52	3	G5565340000	74	29	G9119116000	78	4
G5514340000	56	16	G5568340000	72	1	G91201160A0	78	7
G5514340000	84	17	G5569340000	72	6	GPF06060000	10	52
G5515340000	52	8	G5570340000	72	25	GPF06070000	10	53
G5515340000	56	22	G5571340000	72	9	GPF06080000	8	43
G5515340000	84	18	G5572340000	72	26	GPK12027000	4	69
G5516340000A	52	9	G5573340000	72	11	HA000700000	8	24·25
G5517340000A	52	21	G5574340000	72	10	HA003560000	60	55
G5518340000A	56	6	G5575340000	72	24	HB000310010	58	6
G5519340000A	56	28	G5576340000	72	15	HB000330000	58	5
G5520340000	56	25	G5577340000	72	33	HE000120000	16	36
G5521340000	52	26	G5578340000	18	30	HE000120000	78	27
G5522340000	52	29	G5578340000	72	40	HF005111000	58	16
G5522340000	56	29	G5582340000	32	64	HF00511100A	58	17
G5523340000A	42	22	G5582340000	74	9	HF00511100B	58	19
G5527340000	42	16	G5583340000	52	27	HL007170334	84	33
G5529340000	42	18	G5583340000	56	26	HX000430000	58	26
G5530340000	42	19	G5587340000	70	1	HX00115000A	58	42
G5531340000	42	20	G5588340000	70	5	HX00115000D	58	12
G5532340000	42	21	G5589340000	70	8	HX00115000E	58	44
G5533340000	42	7	G5590340000	70	6	HX00123000A	8	5
G5537340000	14	48	G5591340000	70	13	HX00150000B	58	21
G5537340000	16	16	G5592340000A	70	19	HX00150000F	58	27
G5538340000	14	49	G5593340000	70	12	HX00150000H	58	28
G5538340000	16	17	G5594340000	70	11	HX00150000K	58	22
G5539340000	14	50	G5595340000	70	4	HX00150000N	58	23
G5539340000	16	18	G5626116000	72	28	HX003690000	58	3
G5539340000	50	86	G5630116000	72	32	MAO11532000	68	34
G5540340000	12	47	G5680116000	72	20	MAS151010A0A	80	1
G5540340000	16	15	G5701340000	78	5	MAS152010A0A	82	1



NUMERICAL INDEX OF PARTS

PART NO	PAGE	REF NO.	PART NO	PAGE	REF NO.	PART NO	PAGE	REF NO.
MC901001000	56	3	NM6100001SC	6	29	PJ304040504	28	60
MC90100100T	78	16	NM6120001SC	2	42	PJ304040504	44	85
MC901001150	84	19·20	NM6120001SC	12	25	PJ304085101	66	20
MDPN20A1000	56	2	NS6060310SP	74	32	PJ304085101	76	20
MDPN20A100T	78	15	NS6110310SP	42	15	PJ304085201	66	5
MDPN20B1150	84	19·20	PA0600801A0	50	62	PV130508000	66	16~ 18·24
NM6030001SC	14	53	PA0601001A0	48	36	PV130508000	76	16~ 18·23
NM6030001SC	16	21	PA100080100	50	70	PV130509000	66	16~ 18·24
NM6030001SC	44	92	PA100102000	70	27	PV130509000	76	16~ 18·23
NM6030001SC	50	56	PA1003502A0	72	22	PV130509000	66	16~ 18·24
NM6030001SC	60	54	PA1500504A0	70	9	PV130509000	76	16~ 18·23
NM6030001SC	70	23	PA160050400	72	18	PV150509000	66	16~ 18·24
NM6040001SC	4	65	PA1601010A0	32	59	PV150509000	76	16~ 18·23
NM6040001SC	18	38	PA1601512A0	74	4	PX500020000	32	62
NM6040001SC	28	52	PA160151600	52	45	PX500020000	44	83
NM6040001SC	30	26	PA1601517A0	20	52	PX5000280A0	32	63
NM6040001SC	34	20	PA1601517A0	40	58	PX5000280A0	44	84
NM6040001SC	38	23	PA1601701A0	44	82	PX5000300A0	22	14
NM6040001SC	44	73	PA1602508A0	44	78	PX5000480A0	32	66
NM6040001SC	52	63	PA200200200	28	59	PX5000480A0	44	86
NM6040001SC	54	63	PA2002519A0	22	12	RC0560711KP	74	6
NM6040001SC	56	5	PA800015000	24	73	RC3200002K0	6	15
NM6040001SC	74	26	PC010507000	40	59	RE0200000K0	86	18
NM6050001SC	16	33	PC010507000	44	81	RE0300000K0	42	76
NM6050001SC	18	23	PC010508000	24	74	RE0300000K0	44	76
NM6050001SC	22	3	PC010508000	32	60	RE0300000K0	48	7
NM6050001SC	26	6	PC010508000	72	23	RE0300000K0	78	26
NM6050001SC	30	69	PC010508000	74	5	RE0500000K0	12	6
NM6050001SC	32	69	PC015104000	22	13	SB115000200	6	33
NM6050001SC	38	42	PF0552130A0	66	4	SD0450211SP	86	19
NM6050001SC	42	40	PF0552130A0	76	4	SD0500204TP	50	72
NM6050001SC	52	38	PF070501000	66	19	SK3382001SE	68	2
NM6050001SC	74	14	PF070501000	76	19	SK3412000SC	2	4
NM6050001SE	68	27	PJ030520003	66	3	SK3483200SE	60	57
NM6050003SC	20	54	PJ030520003	76	3	SL4030681SC	4	60
NM6060001SC	6	26	PJ042050002	52	46	SL4030691SC	58	39
NM6060001SC	8	50	PJ046052503	50	63	SL4030891SC	58	40
NM6060001SC	10	50	PJ301040502	52	47	SL4040691SC	58	25
NM6060001SC	26	43	PJ301040502	66	21	SL4040891SC	58	9
NM6060001SC	54	73	PJ301040502	70	28	SL4041081SC	58	13
NM6060001SC	72	4	PJ301040502	72	19	SL4041091SC	58	24
NM6060001SE	68	33	PJ301040502	76	21	SM0030601SC	16	24
NM6080001SC	6	41	PJ301085201	76	5	SM0030601SC	18	16
NM6080001SC	8	31	PJ304040001	74	8			
NM6080001SC	56	38	PJ304040504	20	53			

# NUMERICAL INDEX OF PARTS

PART NO	PAGE	REF NO.	PART NO	PAGE	REF NO.	PART NO	PAGE	REF NO.
SM0040601SC	8	6	SM6041002TP	8	39	SM6050802TP	26	38
SM0041001SC	4	55	SM6041002TP	18	36	SM6051002TP	24	78
SM0041201SA	2	15	SM6041002TP	28	63	SM6051002TP	32	50
SM0042501SN	2	16	SM6041002TP	30	13	SM6051002TP	38	45
SM0050801SC	2	49	SM6041002TP	34	13	SM6051002TP	58	14
SM0050801SC	4	49	SM6041002TP	36	32	SM6051202TP	2	46
SM0050801SC	32	61	SM6041002TP	38	15	SM6051202TP	22	35
SM0050801SC	74	18	SM6041002TP	44	71	SM6051202TP	32	54
SM0051001SC	2	24	SM6041002TP	48	16	SM6051202TP	66	12
SM1030501SC	60	46	SM6041002TP	72	41	SM6051202TP	76	12
SM1031601SC	60	47	SM6041002TP	86	21	SM6051552TP	8	12
SM1040801SC	60	50	SM6041202TP	12	19	SM6051552TP	12	21
SM1045001SB	2	5	SM6041202TP	18	9	SM6051552TP	18	42
SM3040601SC	34	22	SM6041202TP	22	37	SM6051552TP	22	16
SM4031201SC	30	16	SM6041202TP	30	3	SM6051552TP	28	54
SM4040801SC	12	13	SM6041202TP	36	25	SM6051552TP	30	45
SM4041001SC	58	18	SM6041202TP	40	56	SM6051552TP	36	21
SM4041401SC	58	10	SM6041202TP	42	38	SM6051552TP	38	34
SM4042001SR	66	28	SM6041202TP	52	35	SM6051552TP	48	14
SM4042001SR	76	27	SM6041202TP	56	35	SM6051602TP	30	38
SM4044001SF	4	68	SM6041402TP	38	17	SM6051602TP	38	51
SM4051405SE	68	13	SM6041502TP	6	13	SM6051602TP	40	51
SM4061201SE	68	32	SM6041502TP	12	18	SM6051602TP	42	31
SM6020502TN	72	14	SM6041502TP	18	39	SM6051802TP	12	33
SM6020752TP	72	7	SM6041502TP	30	57	SM6051802TP	26	25
SM6030402TP	34	9	SM6041502TP	32	57	SM6051802TP	38	32
SM6030602TP	86	22	SM6041502TP	44	61	SM6052002TP	16	29
SM6030802TP	42	90	SM6041502TP	54	65	SM6052002TP	18	46
SM6030802TP	44	90	SM6041602TP	6	2	SM6052002TP	24	71
SM6030802TP	72	12	SM6041602TP	20	57	SM6052002TP	26	18
SM6031002TP	18	17	SM6041602TP	38	22	SM6052002TP	72	8
SM6031002TP	44	49	SM6041602TP	52	36	SM6052502TP	12	30
SM6031002TP	48	45	SM6041602TP	56	36	SM6052502TP	24	53
SM6031002TP	70	25	SM6041802TP	26	15	SM6052502TP	26	45
SM6031202TP	44	91	SM6041802TP	36	18	SM6052502TP	52	31
SM6031202TP	50	57	SM6041802TP	40	62	SM6052502TP	56	31
SM6040602TP	34	11	SM6041802TP	54	62	SM6053000SE	68	19
SM6040602TP	72	34	SM6041802TP	70	2	SM6053002TP	36	17
SM6040802TP	30	47	SM6042002TP	40	64	SM6053502TP	74	3
SM6040802TP	34	14	SM6042002TP	44	72	SM6054002TN	28	57
SM6040802TP	36	8	SM6042502TP	36	41	SM6061002TP	2	39
SM6040802TP	38	28	SM6042502TP	38	6	SM6061202TP	34	16
SM6040802TP	48	30	SM6042502TP	74	27	SM6061202TP	74	31
SM6040802TR	20	49	SM6043202TP	34	17	SM6061552TP	2	35
SM6041002TP	2	32	SM6043552TP	44	56	SM6061552TP	6	20

## NUMERICAL INDEX OF PARTS

PART NO	PAGE	REF NO.	PART NO	PAGE	REF NO.	PART NO	PAGE	REF NO.
SM6061552TP	16	38	SM8040602TP	44	65	SS6080720SP	50	68
SM6061552TP	20	60	SM8040602TP	74	22	SS6090810SP	72	27
SM6061552TP	24	76	SM8040602TP	80	11	SS6121860SP	50	65
SM6061552TP	42	28	SM8040602TP	82	11	SS7080820SP	32	71
SM6061552TP	66	6	SM8040602TP	84	27	SS7080820SP	74	35
SM6061552TP	76	6	SM8040802TP	16	23	SS7110540SP	68	16
SM6061610SC	68	6	SM8040802TP	26	16	SS7112420SP	42	23
SM6061802TP	12	46	SM8040802TP	30	35	SS9090640SP	72	42
SM6061802TP	16	14	SM8040802TP	44	67	SS9091010SP	18	44
SM6061802TP	54	54	SM8040802TP	50	77	SS9091010SP	72	29
SM6062002TP	6	5	SM8040802TP	52	25	SS9151210TP	2	2
SM6062002TP	26	34	SM8040802TP	56	24	TA1450404R0	48	4
SM6062002TP	44	94	SM8041012TP	12	42	WP0320500SC	44	51
SM6062502TP	8	32	SM8041012TP	38	47	WP0320500SC	70	22
SM6062502TP	24	61	SM8041012TP	44	77	WP0320500SF	60	53
SM6062502TP	54	59	SM8041012TP	50	76	WP0430800SC	4	66
SM6082002TP	8	44	SM8041012TP	52	22	WP0430800SC	12	15
SM6082002TP	22	19	SM8041012TP	56	4	WP0430800SC	18	37
SM6082002TP	40	53	SM8050602TP	12	44	WP0430800SC	22	39
SM6082502TP	12	27	SM8050602TP	16	12	WP0430800SC	30	11
SM6102512TP	6	23	SM8050602TP	18	26	WP0430800SC	36	27
SM6104002TP	36	37	SM8050602TP	52	51	WP0430800SC	38	30
SM6123002TP	86	3	SM8050602TP	54	51	WP0430800SC	72	21
SM8030302TP	50	80	SM8050602TP	56	43	WP0430800SC	86	25
SM8030402TP	50	79	SM8050812TP	8	18	WP0430801SC	18	11
SM8030502TP	12	8	SM8050812TP	26	28	WP0430801SC	38	25
SM8030502TP	22	48	SM8050812TP	54	49	WP0430801SC	50	60
SM8030502TP	24	48	SM8051002TP	70	3	WP0430801SC	86	26
SM8030502TP	36	28	SM8052002TP	22	2	WP0450000SD	72	31
SM8030502TP	42	44	SM8060802TP	16	10	WP0531000SC	12	35
SM8030502TP	48	27	SM8061002TP	6	42	WP0531000SC	16	6
SM8030502TP	80	18	SM8061552TP	8	16	WP0531000SC	26	56
SM8030502TP	82	17	SM9040803SE	50	58	WP0531000SC	28	56
SM8030502TP	84	32	SM9052003SC	32	68	WP0531000SC	32	52
SM8030602TP	42	46	SM9052003SD	38	41	WP0531000SC	60	60
SM8030602TP	48	42	SM9052553CP	30	6	WP0531001SC	18	7
SM8040402TP	24	63	SM9062003SC	10	51	WP0531001SC	42	33
SM8040502TP	6	9	SM9062003SE	8	40	WP0531001SC	60	58
SM8040602TP	22	51	SM9065513SF	10	49	WP0641601SC	6	7
SM8040602TP	24	51	SM9081553SB	8	36	WP0641601SC	8	42
SM8040602TP	26	49	SM9083503SC	6	40	WP0641601SC	26	42
SM8040602TP	28	49	SS4080610SP	42	17	WP0641601SC	46	96
SM8040602TP	36	36	SS4091010SP	72	43	WP0841600SC	8	46
SM8040602TP	38	36	SS5090610SP	26	2	WP1002036SC	36	39
SM8040602TP	42	65	SS6080610TP	50	82	WP1052001SC	6	38

## NUMERICAL INDEX OF PARTS

PART NO	PAGE	REF NO.	PART NO	PAGE	REF NO.
WP1302501SC	86	5	WS0510002KN	66	13
WP1612616SE	68	30	WS0510002KN	72	3
WS0310002KN	4	61	WS0510002KN	76	13
WS0310002KN	14	52	WS0610002KN	2	40
WS0310002KN	16	39	WS0610002KN	6	21
WS0310002KN	18	18	WS0610002KN	8	41
WS0310002KN	42	50	WS0610002KN	20	61
WS0310002KN	44	50	WS0610002KN	24	77
WS0310002KN	48	44	WS0610002KN	26	35
WS0310002KN	70	26	WS0610002KN	46	95
WS0310002KN	72	13	WS0610002KN	54	72
WS0410002KN	2	67	WS0610002KN	66	7
WS0410002KN	4	67	WS0610002KN	72	35
WS0410002KN	12	20	WS0610002KN	76	7
WS0410002KN	18	58	WS0820002KN	8	45
WS0410002KN	20	58	WS0820002KN	22	20
WS0410002KN	22	56	WS0820002KN	40	54
WS0410002KN	24	56	WS0820002KN	56	39
WS0410002KN	28	64	WS1020002KN	6	37
WS0410002KN	30	58	WS1020002KN	36	38
WS0410002KN	32	58	WS1220002KN	12	24
WS0410002KN	34	23	WS1220002KN	86	4
WS0410002KN	36	42	WZ0430200KH	86	24
WS0410002KN	38	63			
WS0410002KN	40	63			
WS0410002KN	44	68			
WS0410002KN	48	59			
WS0410002KN	50	59			
WS0410002KN	54	58			
WS0410002KN	72	30			
WS0410002KR	6	3			
WS0451040KP	42	24			
WS0510002KN	2	47			
WS0510002KN	12	34			
WS0510002KN	16	31			
WS0510002KN	18	29			
WS0510002KN	22	79			
WS0510002KN	24	79			
WS0510002KN	26	58			
WS0510002KN	28	58			
WS0510002KN	32	55			
WS0510002KN	42	32			
WS0510002KN	52	66			
WS0510002KN	54	66			
WS0510002KN	60	59			