

MODEL : DSC-245V-4,-7

List No : 0746-04

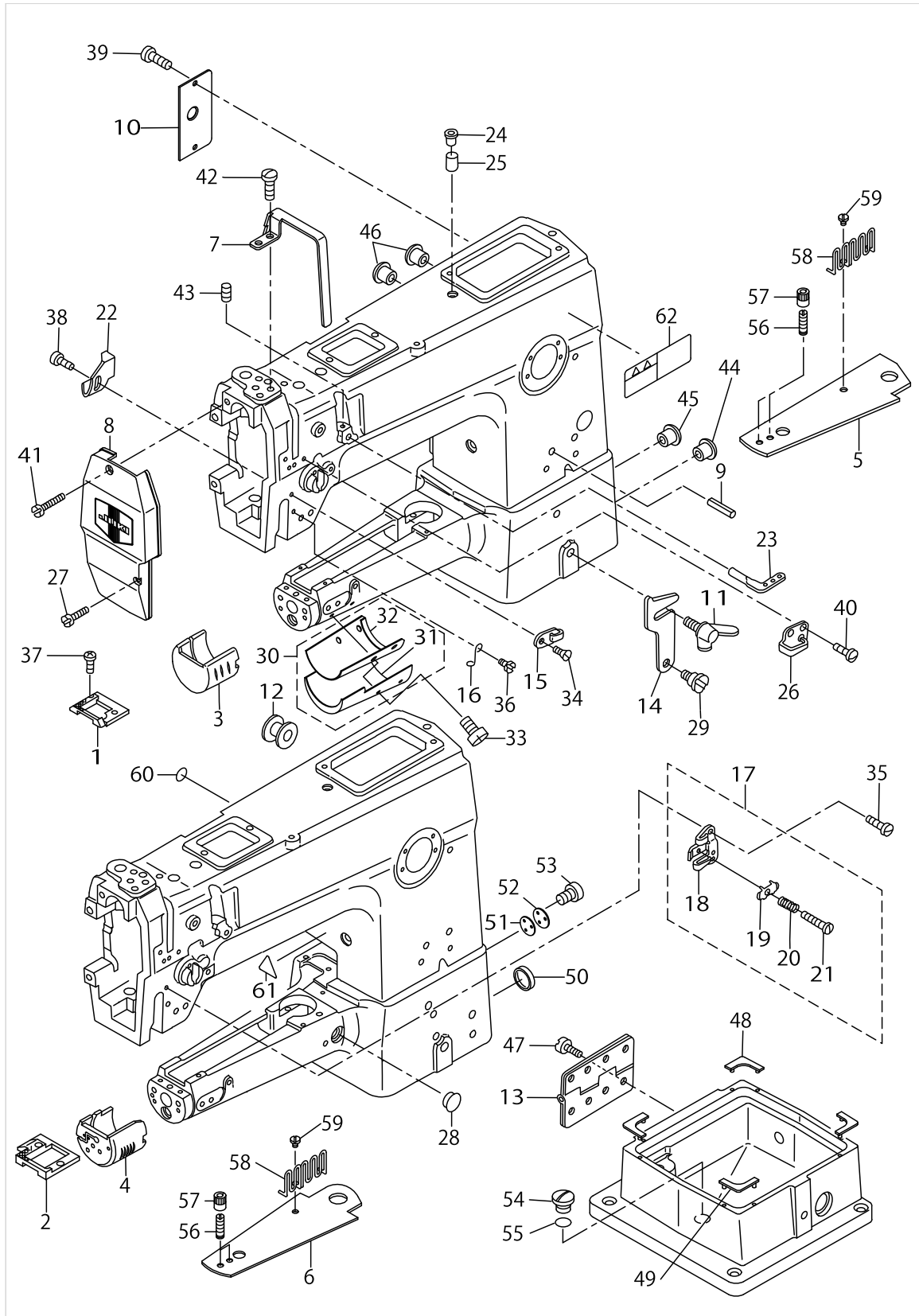
PARTS LIST

Published:09/10/2017

CONTENTS

FRAME & MISCELLANEOUS COVER COMPONENTS	1
MAIN SHAFT & ARM SHAFT COMPONENTS	5
NEEDLE BAR,THREAD TAKE-UP LEVER & PRESSER BAR COMPONENTS.....	7
FEED MECHANISM COMPONENTS.....	11
REVERSE FEED MECHANISM COMPONENTS.....	15
UPPER FEED MECHANISM & HOOK DRIVING SHAFT COMPONENTS.....	19
THREAD TRIMMER COMPONENTS	23
THREAD TENSION COMPONENTS	27
LUBRICATION COMPONENTS	31
KNEE LIFTER COMPONENTS.....	35
BELT COVER & THREAD WINDER COMPONENTS	37
THREAD STAND COMPONENTS.....	39
TABLE COMPONENTS	41
ACCESSORIES PARTS COMPONENTS	43
GAUGE COMPONENTS.....	45
LIST FOR INFORMATION OF CHANGE (1).....	47
LIST FOR INFORMATION OF CHANGE (2).....	48
HOW TO MAKE USE OF THIS PARTS LIST	49

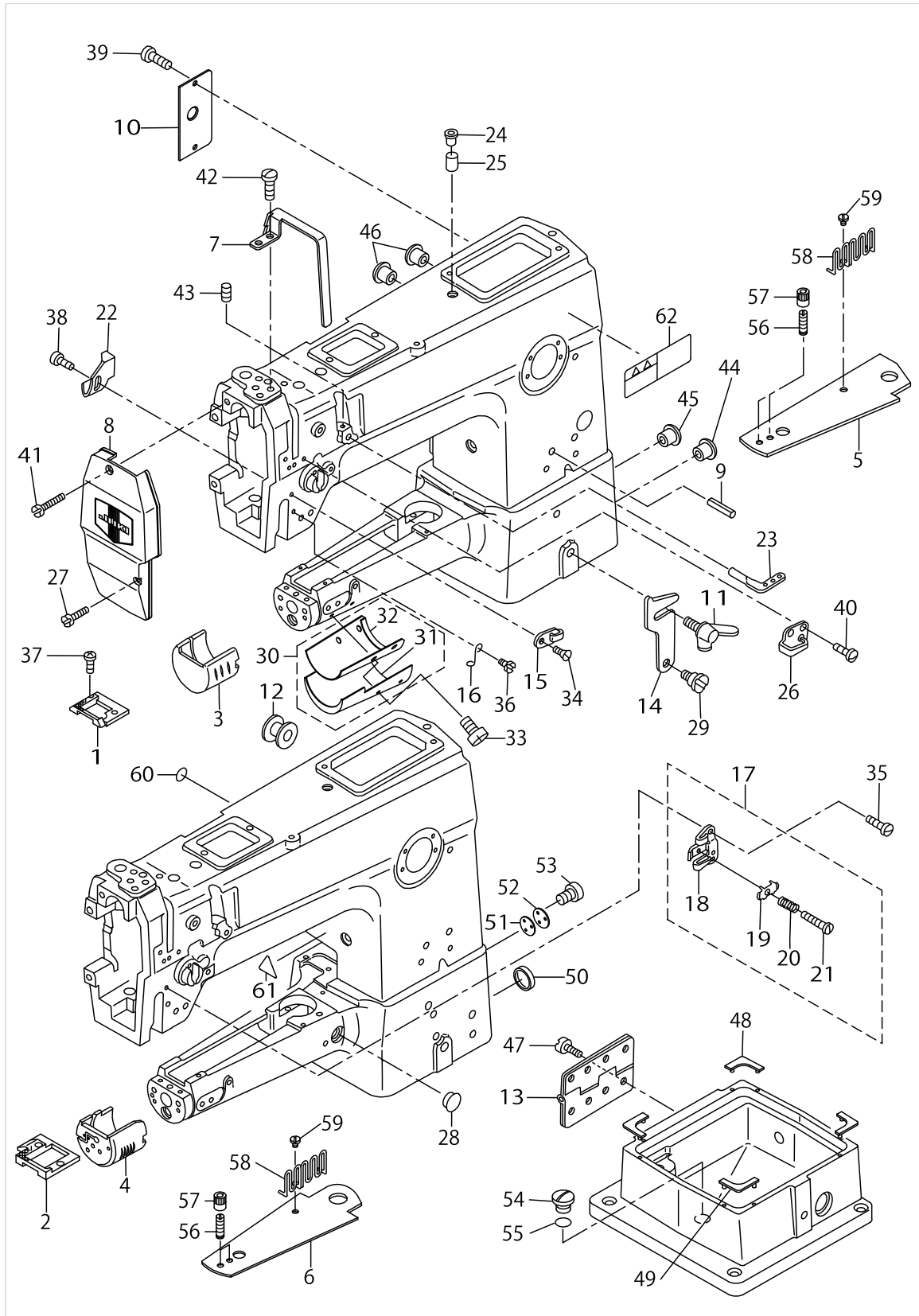
FRAME & MISCELLANEOUS COVER COMPONENTS



FRAME & MISCELLANEOUS COVER COMPONENTS

No.	Parts No.	Parts name	Remarks	Level	Cons	Qty
1	MAQ09201000	THROAT PLATE	FOR DSC-245V			1
2	MAQ09401000	THROAT PLATE	FOR DSC-245V-4,-7			1
3	B1171245000	HOOK COVER	FOR DSC-245V			1
4	D1171245E00	HOOK COVER	FOR DSC-245V-4,-7			1
5	MAQ09202000	BED TOP COVER	FOR DSC-245V			1
6	MAQ09402000	BED TOP COVER	FOR DSC-245V-4,-7			1
7	D1158241E0A	THREAD TAKE-UP LEVER COVER				1
8	B11212450AA	FACE PLATE ASM.				1
9	PS0600602KP	SPRING PIN				1
10	B1118241H0A	SIDE PLATE				1
11	B1116246000	WING BOLT				1
12	D2414141E00	LORD BUSHING	FOR DSC-245V-4,-7			1
13	B1128246000	HINGE				1
14	B1117246000	HOOK				1
15	B1130051000	FRAME THREAD GUIDE MIDDLE	FOR DSC-245V			1
16	B1131562000	FRAME THREAD GUIDE LOWER	FOR DSC-245V			1
17	B11305210A0	THREAD GUIDE ASM. LOWER	FOR DSC-245V-4,-7			1
18	B1130521000	THREAD GUIDE		*		1
19	B1131521000	THREAD PRESSER PLATE		*		1
20	B1132521000	THREAD PRESSER PLATE SPRING		*		1
21	SD0380551SL	HINGE SCREW D=3.80 H=5.5		*		1
22	B1140051000	TAKE-UP OIL SPLASHER				1
23	B1128522000	THREE HOLE THREAD EYELET	FOR DSC-245V			1
24	B1156115000	RUBBER PLUG				1
25	B3517009000	OIL FELT REAR				1
26	B1129563000	FRAME THREAD GUIDE UPPER				1
27	SS6092120SP	SCREW 9/64-40 L=21.2				1
28	TA1250406R0	RUBBER PLUG D=12.5 L=4				1
29	SD0800352SP	HINGE SCREW D=8 H=3.5				1
30	B11782450A0	CYLINDER COVER ASM.				1
31	B1178245000	CYLINDER COVER		*		1
32	B1179245000	COVER GASKET		*		1
33	SS2090710TP	SCREW 9/64-40 L=7.2				4
34	SS2090710TP	SCREW 9/64-40 L=7.2	FOR DSC-245V			1
35	SS2090710TP	SCREW 9/64-40 L=7.2	FOR DSC-245V-4,-7			2
36	SS3090610SP	SCREW 9/64-40 L=6	FOR DSC-245V			1
37	SS2110930SP	SCREW 11/64-40 L=8.7				2
38	SS3090520SP	SCREW 9/64-40 L=4.5				1
39	SS7110710SP	SCREW 11/64-40 L=7				2
40	SS2090710TP	SCREW 9/64-40 L=7.2				2
41	SS7110710SP	SCREW 11/64-40 L=7				1
42	SS7150940SP	SCREW 15/64-28 L=9				2
43	SS8110510SP	SCREW 11/64-40 L=5	FOR DSC-245V			1
44	TA2100904R0	RUBBER PLUG				1
45	TA1120804R0	RUBBER PLUG				1
46	TA0550604R0	RUBBER PLUG				2
47	SM6081552TP	SCREW M8 L=15				8

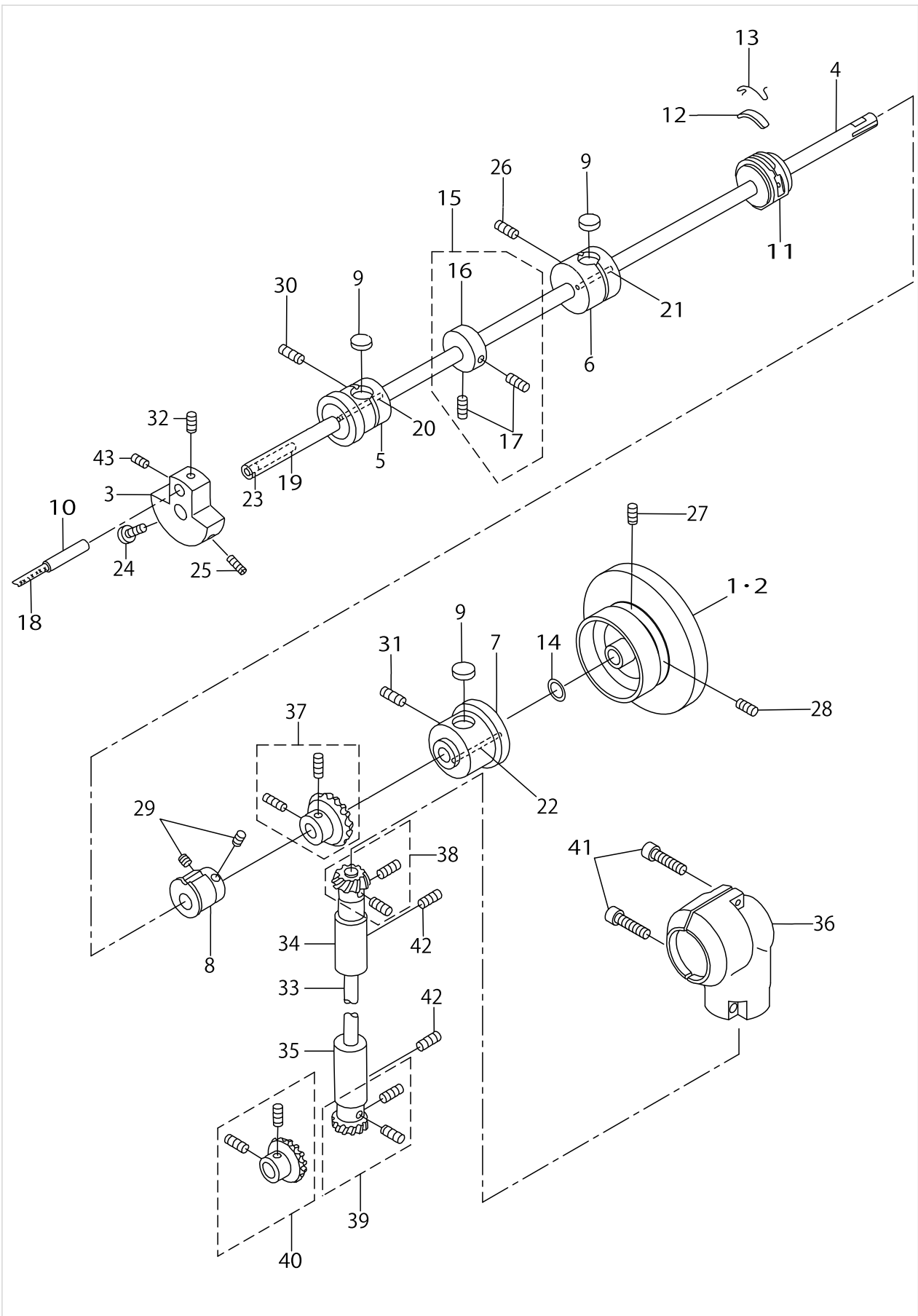
FRAME & MISCELLANEOUS COVER COMPONENTS



FRAME & MISCELLANEOUS COVER COMPONENTS

No.	Parts No.	Parts name	Remarks	Level	Cons	Qty
48	B118324500A	GASKET A				3
49	B118324500B	GASKET B				1
50	B1180245000	PLUG	FOR DSC-245V-4,-7			1
51	B1182245000	BUSHING COVER GASKET	FOR DSC-245V-4,-7			1
52	B1181245000	BUSHING COVER REAR	FOR DSC-245V-4,-7			1
53	SS7060610SP	SCREW 3/32-56 L=5.5	FOR DSC-245V-4,-7			3
54	SS7680870SP	SCREW 9/32 L=8.0				1
55	RO061180100	RUBBER RING				1
56	MAQ09204000	BINDER SETSCREW				2
57	MAQ09205000	BINDER LOCK NUT				2
58	MAQ09206000	TAPE GUIDE				1
59	SS7110510SP	SCREW 11/64-40 L=5				1
60	22901805	GROUND MARK				1
61	CM300200002	CAUTION LABEL(25)	FOR USE IN JAPAN,JE			1
62	CM301300001	SAFETY LABEL				1

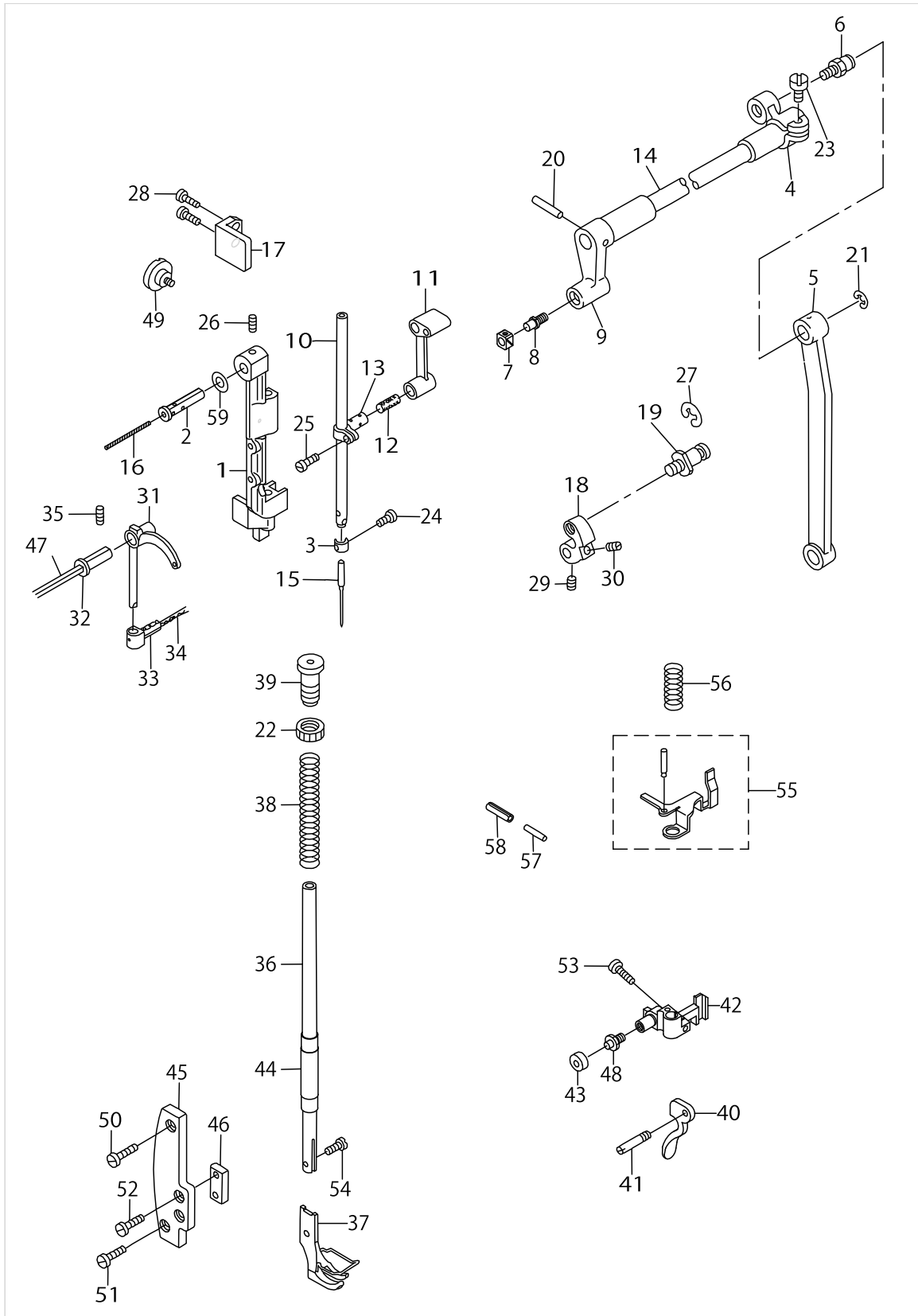
MAIN SHAFT & ARM SHAFT COMPONENTS



MAIN SHAFT & ARM SHAFT COMPONENTS

No.	Parts No.	Parts name	Remarks	Level	Cons	Qty
1	22860704	HAND WHEEL	FOR DSC-245V			1
2	21308200	HAND WHEEL	FOR DSC-245V-4,-7			1
3	B1206245000	COUNTERWEIGHT				1
4	D1201241E00	MAIN SHAFT				1
5	B1202241H00	MAIN SHAFT BUSHING FRONT				1
6	B1203241H00	BUSHING INTERMEDIATE				1
7	B1204241H00	BUSHING REAR				1
8	B1211141H00	FEED ECCENTRIC CAM				1
9	B1203051000	OIL FELT				3
10	B1210051000	NEEDLE BAR CRANK PIN				1
11	40144145	ECCENTRIC RETAINER HOUSING				1
12	B1212012000	OIL FELT				1
13	B1213012000	FELT RETAINER				1
14	B1605201000	METAL WASHER				1
15	CS127101ASH	THRUST COLLAR ASM. D=12.7 W=10				1
16	CS1271012SH	THRUST COLLAR D=12.7 W=10		*		1
17	SS8660610TP	SCREW 1/4-40 L=6		*		2
18	CQ505000000	OIL WICK				0.1
19	CQ303000000	OIL WICK				0.1
20	CQ252000000	OIL WICK				0.1
21	CQ252000000	OIL WICK				0.1
22	CQ252000000	OIL WICK				0.1
23	TA0500601M0	PLUG D=5X5.4 L=6				1
24	SS7681750TP	SCREW 9/32-28 L=16.5				1
25	SS8681650TP	SCREW 9/32-28 L=16				1
26	SS8151550SP	SCREW 15/64-28 L=15				1
27	SS8151780SP	SCREW 15/64-28 L=17.0				1
28	SS8151550SP	SCREW 15/64-28 L=15				1
29	SS8150710TP	SCREW 15/64-28 L=7				2
30	SS8151550SP	SCREW 15/64-28 L=15				1
31	SS8150710SP	SCREW 15/64-28 L=7				1
32	SS8680540SP	SCREW 9/32-28 L=4.5				1
33	B1301241H00	UPRIGHT SHAFT				1
34	B1302241H00	BUSHING UPPER				1
35	B1303271000	BUSHING LOWER				1
36	B13052710B0	GEAR CASE ASM.				1
37	B13050120A0	GEAR ASM.				1
38	B13061550C0	GEAR & PINION ASM.				1
39	B13071550A0	GEAR ASM. LARGE				1
40	B13081550A0	PINION ASM.				1
41	SM6031202TP	SCREW M3X0.5 L=12				2
42	SS8151550SP	SCREW 15/64-28 L=15				2
43	SS8680730SP	SCREW 9/32-28 L=7				1

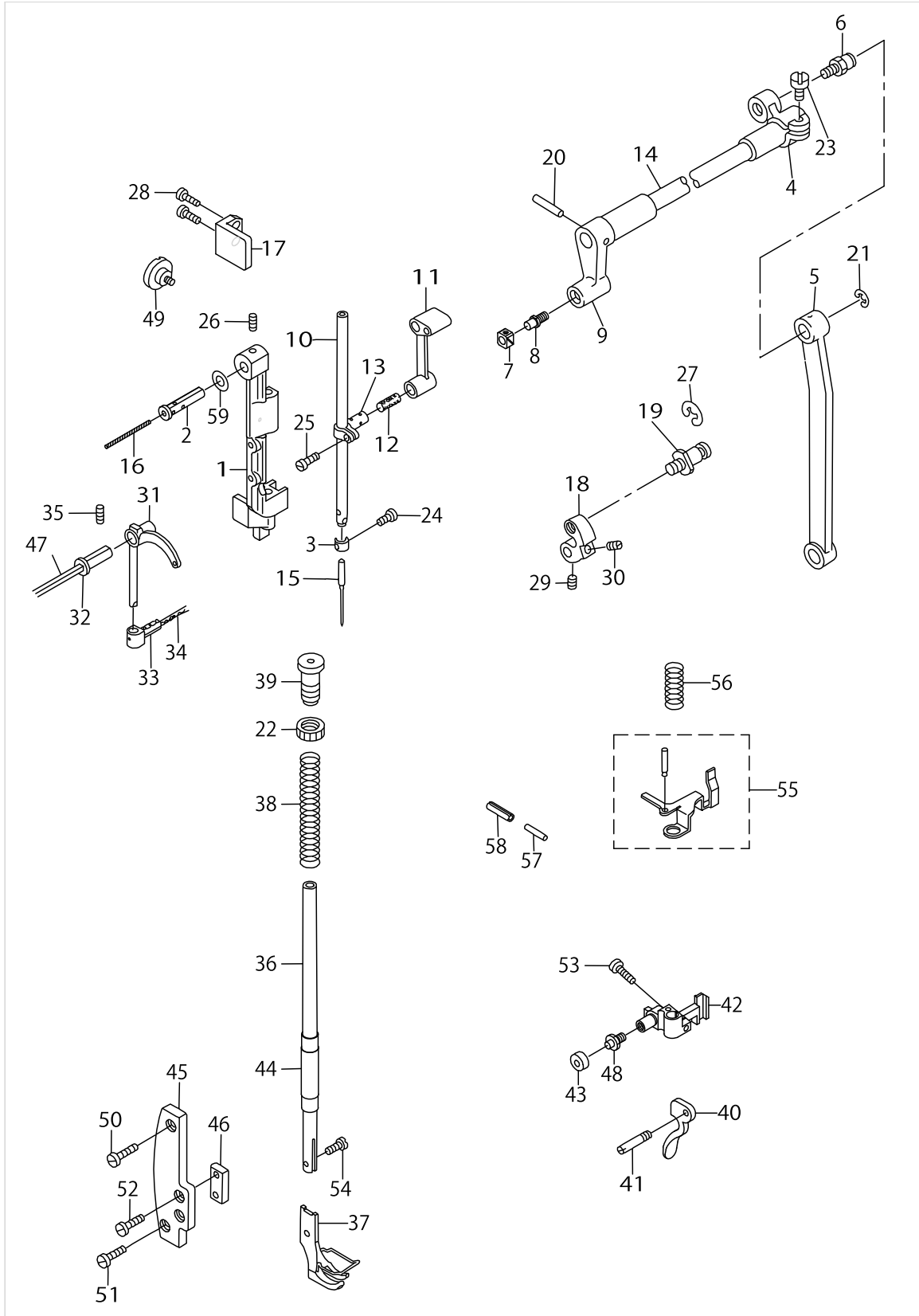
NEEDLE BAR, THREAD TAKE-UP LEVER & PRESSER BAR COMPONENTS



NEEDLE BAR,THREAD TAKE-UP LEVER & PRESSER BAR COMPONENTS

No.	Parts No.	Parts name	Remarks	Level	Cons	Qty
1	B1420563000	NEEDLE BAR FRAME				1
2	B1906051000	TAKE-UP LEVER PIN				1
3	B1419245000	NEEDLE BAR THREAD GUIDE				1
4	B1431241H00	ROCK SHAT REAR CRANK				1
5	B1434245000	DRIVING ROD				1
6	B1424158000	HINGE SCREW				1
7	B1414232000	SQUARE BLOCK				1
8	B1410771000	STUD				1
9	B1428563000	ROCK SHAFT FRONT CRANK				1
10	D1401245E00	NEEDLE BAR				1
11	D1408241E00	NEEDLE BAR CRANK ROD				1
12	D1412241E00	FELT				1
13	D1411241E00	NEEDLE BAR CONNECTION				1
14	B1429241H00	NEEDLE BAR FRAME LOCK SHAFT				1
15	M13517B1100	NEEDLE 135X17 #110				1
16	CQ252000000	OIL WICK				0.1
17	B1423245000	NEEDLE BAR FRAME GUIDE				1
18	B1430245000	DRIVING ROD CRANK				1
19	B1424158000	HINGE SCREW				1
20	PT0301600S0	TAPERED PIN 3.0X16				1
21	RE0700000K0	E-RING 7				1
22	22907604	PRESSER SPRING REGULATOR NUT				1
23	SS7151210SP	SCREW 15/64-28 L=12				1
24	SS7080510TP	SCREW 1/8-44 L=4.5				1
25	SS7090910SP	SCREW 9/64-40 L=8.5				1
26	SS8151150SP	SCREW 15/64-28 L=10.5				1
27	RE0700000K0	E-RING 7				1
28	SS7110910TP	SCREW 11/64-40 L=8.5				2
29	SS8150710TP	SCREW 15/64-28 L=7				1
30	SS8150830SP	SCREW				1
31	B1905245000	THREAD TAKE-UP LEVER				1
32	B1906051000	TAKE-UP LEVER PIN				1
33	D1907241E00	TAKE-UP LEVER THRUST PIN				1
34	CQ202000000	OIL WICK				0.1
35	SS8151150SP	SCREW 15/64-28 L=10.5				1
36	B1501241H00	PRESSER BAR				1
37	MAQ093080A0	PRESSER FOOT ASM.				1
38	B1510141H00	PRESSER SPRING				1
39	B1509141H00	PRESSER SPRING REGULATOR				1
40	B1512141H00	HAND LIFTER				1
41	B1515051000	HAND LIFTER PIN				1
42	B1460245000	PRESSER LIFTING LEVER BASE				1
43	D1462241E00	CONNECTING PIN ROLLER				1
44	22907109	PRESSER BAR BUSHING LOWER				1
45	D1464241E0A	GUIDE PLATE BASE				1
46	D1463241E00	PRESSER BAR BRACKET GUIDE				1
47	D3505241E00	OIL WICK				1

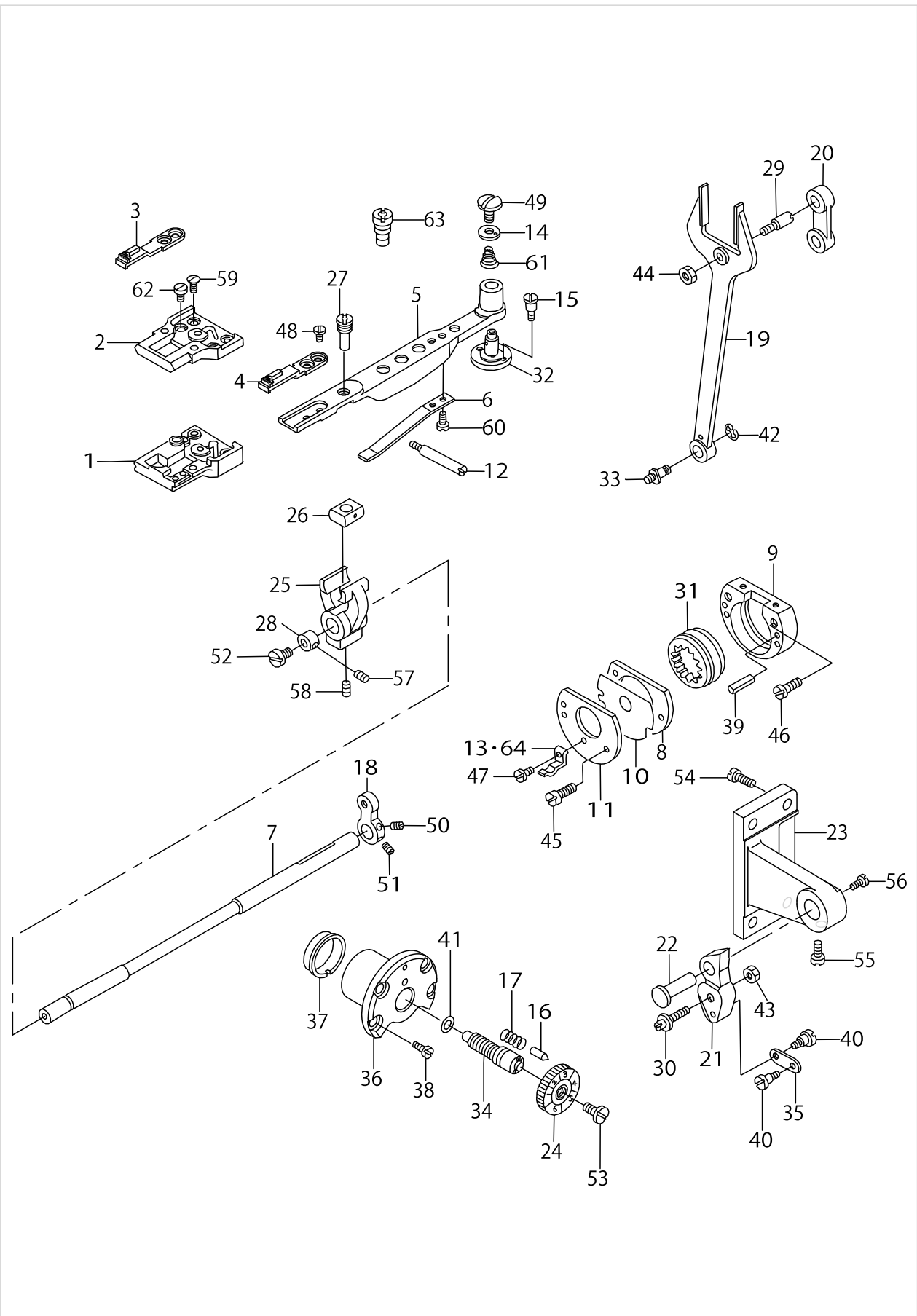
NEEDLE BAR, THREAD TAKE-UP LEVER & PRESSER BAR COMPONENTS



NEEDLE BAR,THREAD TAKE-UP LEVER & PRESSER BAR COMPONENTS

No.	Parts No.	Parts name	Remarks	Level	Cons	Qty
48	B1461245000	GUIDE SHAFT HINGE SCREW				1
49	SD0800481SP	HINGE SCREW D=8 H=4.9				1
50	SS7150740SP	SCREW 15/64-28 L=7				1
51	SS7621040SP	SCREW 3/16-32 L=9.5				1
52	SS7621040SP	SCREW 3/16-32 L=9.5				2
53	SS7111310SP	SCREW 11/64-40 L=12.8				1
54	SS6090910SP	SCREW 9/64-40 L=9				1
55	B14602460A0	THREAD RELEASE GUIDE ASM.				1
56	B1462053000	THREAD RELEASE SPRING				1
57	10321107	TENSION RELEASE BAR	FOR DSC-245V-4,-7			1
58	PS0600502KP	SPRING PIN	FOR DSC-245V-4,-7			1
59	B1208019000	WASHER				1

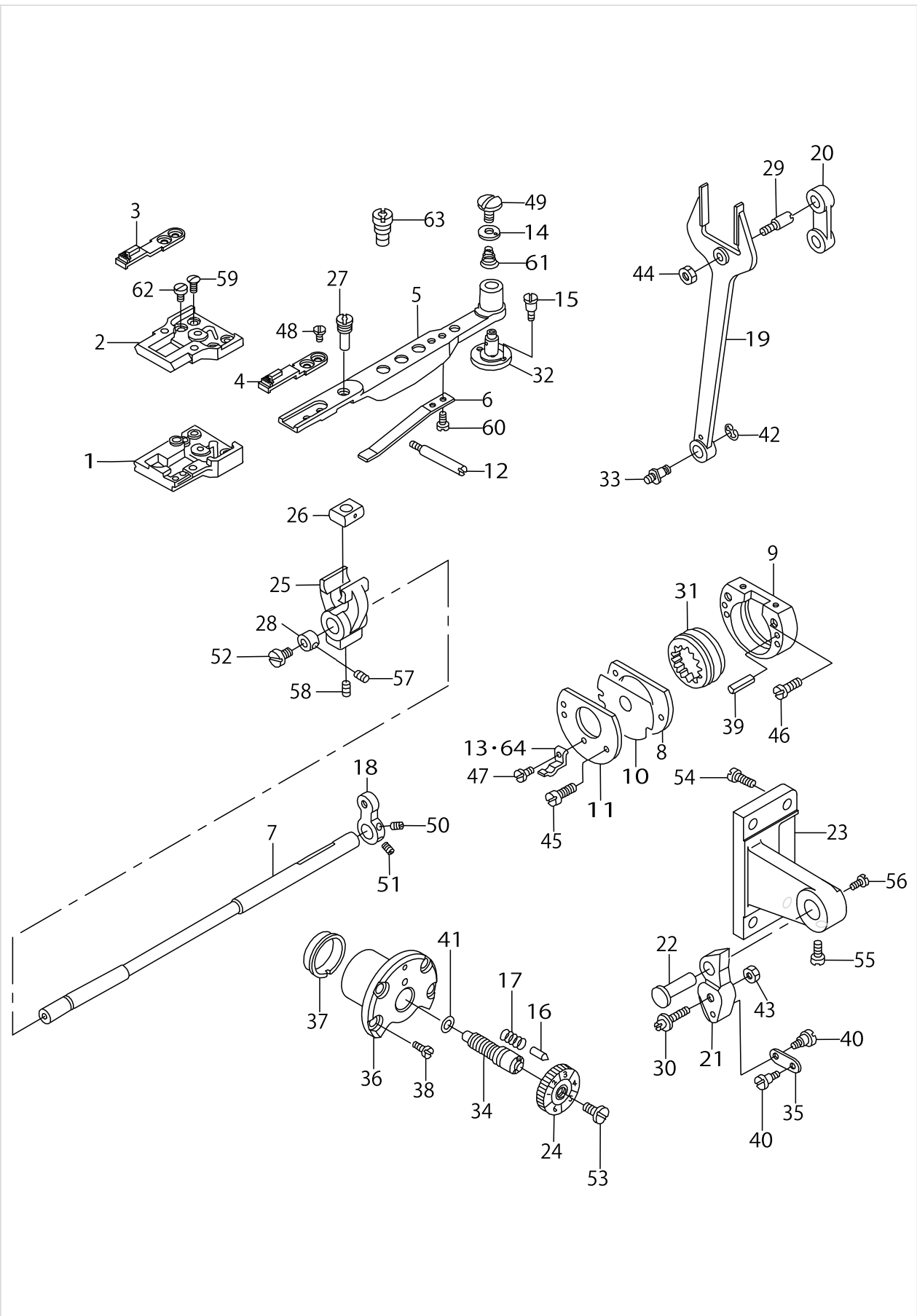
FEED MECHANISM COMPONENTS



FEED MECHANISM COMPONENTS

No.	Parts No.	Parts name	Remarks	Level	Cons	Qty
1	D1630245EA0A	THROAT PLATE BASE ASM.	FOR DSC-245V-4,-7			1
2	B16302450A0A	THROAT PLATE BASE ASM.	FOR DSC-245V			1
3	MAN10451000	LOWER FEED FOOT	FOR DSC-245V			1
4	21305206	FEED DOG	FOR DSC-245V-4,-7			1
5	D1606245E00	FEED BAR				1
6	B1633245000	SPRING				1
7	B1601245000	FEED ROCK SHAFT				1
8	B1654245000	FEED DRIVING HOLDER A				1
9	B1635245000	FEED DRIVING CAM HOLDER B				1
10	B1655245000	FEED DRIVING CAM HOLDER WASHER				1
11	B1637245000	FEED DRIVING CAM HOLDER PLATE				1
12	B1638245000	SCREW STUD				1
13	B1172245000	HOOK COVER HOLDER	FOR DSC-245V			1
14	B1640245000	BED COVER WASHER				1
15	SS7110910SP	SCREW 11/64-40 L=8.5				2
16	B1147141H00	PIN				1
17	B1148141H00	SPRING				1
18	B1605245000	FEED ROCKER SHAFT CRANK				1
19	B1614245000	PITMAN				1
20	B1619241H00	FEED CONNECTING LINK				1
21	B1620245000	FEED REGULATOR				1
22	B1622241H00	HINGE PIN				1
23	40143489	FEED_REGULATOR_SUPPORTING_BASE				1
24	B16232450A0	STITCH DIAL ASM.				1
25	B1603245000	FEED ROCKER				1
26	MAQ09210000	FEED BAR BLOCK				1
27	MAQ09211000	FEED BASE TOP SHAFT	FOR DSC-245V			1
28	B1646245000	THRUST COLLAR				1
29	B1617241H00	HINGE SCREW A				1
30	B1618241H00	HINGE SCREW B				1
31	B1647245000	FEED DRIVING CAM				1
32	B1639245000	FEED BAR SHAFT				1
33	B1424158000	HINGE SCREW				1
34	B1634245000	STITCH LENGTH REGULATING SCREW				1
35	B2115271000	NEEDLE THROW LINK				1
36	B163624500A	BUSHING				1
37	B1637141H00	ECCENTRIC BUSHING				1
38	B1638141H00	SCREW				4
39	PS0400182K0	SPRING PIN 4.0X18				2
40	SD0640231SP	HINGE SCREW D=6.35 H=2.3				2
41	RO074240100	RUBBER RING				1
42	RE0700000K0	E-RING 7				1
43	NS6680320SP	NUT 9/32-28				1
44	NS6680410SP	NUT 9/32-28				1
45	SS6081210SP	SCREW 1/8-44 L=12				2
46	B1651245000	SCREW				2
47	SS6060210SP	SCREW 3/32-56 L=1.9				1

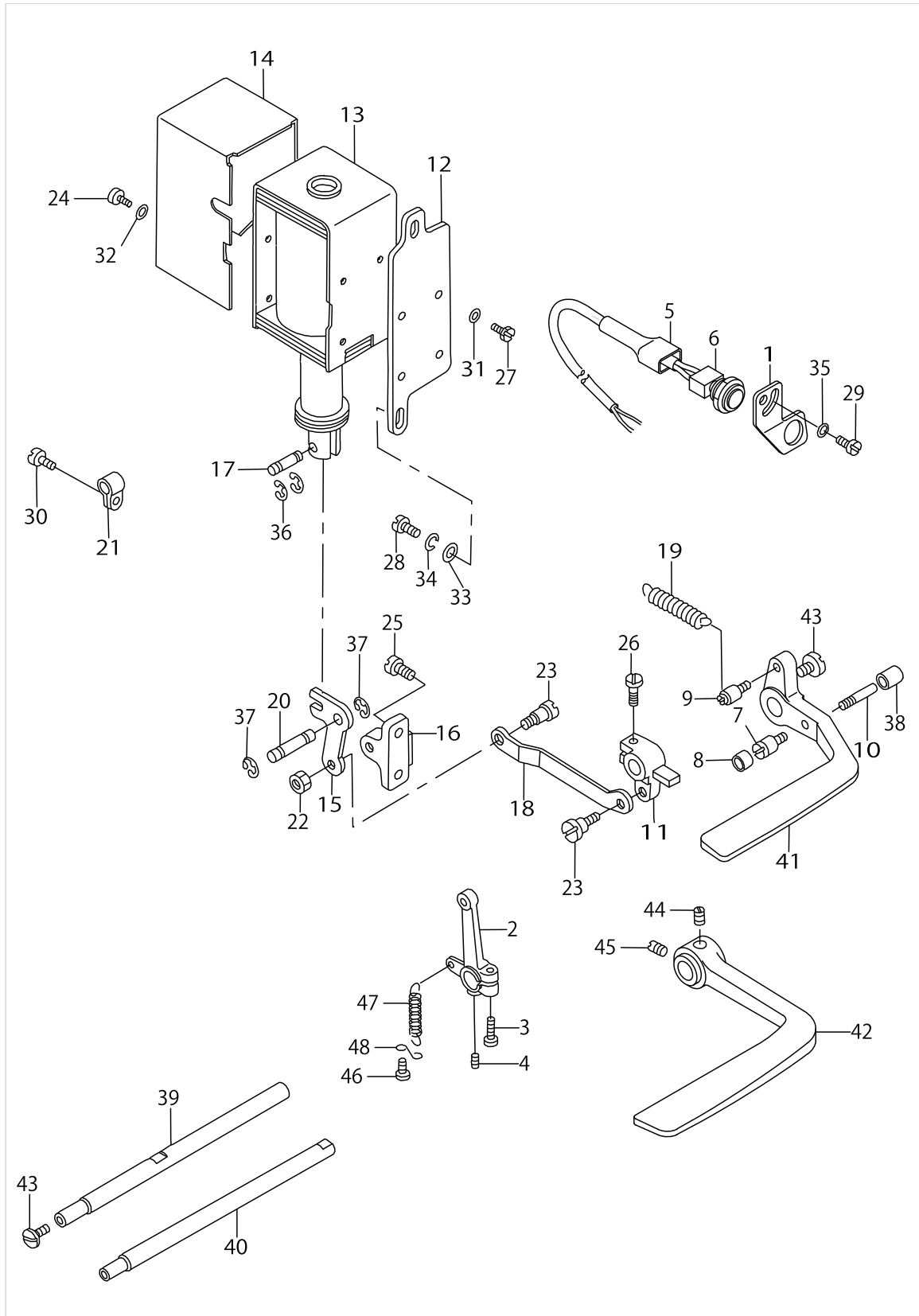
FEED MECHANISM COMPONENTS



FEED MECHANISM COMPONENTS

No.	Parts No.	Parts name	Remarks	Level	Cons	Qty
48	B1652245000	SCREW				2
49	B1653245000	SCREW				1
50	SS8150710TP	SCREW 15/64-28 L=7				1
51	SS8150830SP	SCREW				1
52	SS5110710SP	SCREW 11/64-40 L=7				1
53	SS6121050SP	SCREW 3/16-28 L=9.5				1
54	SS7151210SP	SCREW 15/64-28 L=12				4
55	SS6151220SP	SCREW 15/64-28 L=11.5				1
56	SS7151330SP	SCREW 15/64-28 L=13.0				1
57	SS8110410TP	SCREW 11/64-40 L=3.5				2
58	SS8701042TP	SCREW 5/16-24 L=10.0				1
59	SS2090810SP	SCREW 9/64-40 L=7.5				2
60	SS7080520SP	SCREW 1/8-44 L=4.9				2
61	MAQ09203000	BED TOP COVER SPRING				1
62	SS6090610SP	SCREW 9/64-40 L=5.5				2
63	MAQ09411000	FEED BAR BLOCK HINGE STUD	FOR DSC-245V-4,-7			1
64	D1172245E00	HOOK COVER HOLDER	FOR DSC-245V-4,-7			1

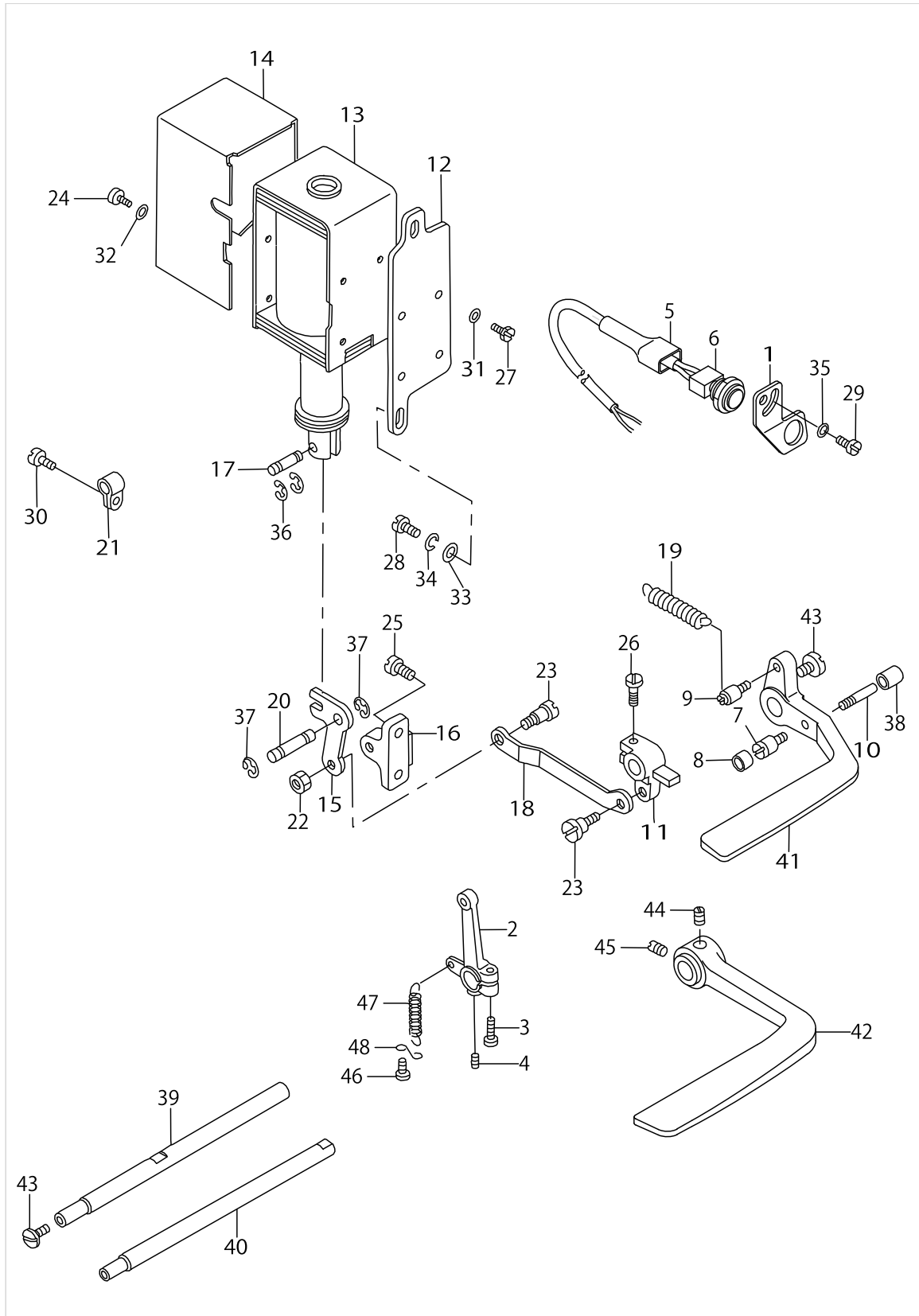
REVERSE FEED MECHANISM COMPONENTS



REVERSE FEED MECHANISM COMPONENTS

No.	Parts No.	Parts name	Remarks	Level	Cons	Qty
1	D1681241E0A	SWITCH INSTALLING BASE				1
2	B1627241H00	CONTROL LEVER CRANK				1
3	SS6121210SP	SCREW 3/16-28 L=12				1
4	SS8150710SP	SCREW 15/64-28 L=7				1
5	MAT81126T00	2-POLE PLUG COVER	FOR DSC-245V-4-1B,-7-0B			1
6	D1680141EA0	TOUCH BUCK SWITCH ASM	FOR DSC-245V-4-1B,-7-0B			1
7	B1114280000	PIN	FOR DSC-245V-4-1B,-7-0B			1
8	10119907	CUSHION	FOR DSC-245V-4-1B,-7-0B			1
9	10120004	SPRING SUSPENSION	FOR DSC-245V-4-1B,-7-0B			1
10	B2733761000	PIN	FOR DSC-245V-4-1B,-7-0B			1
11	10119709	REVERSE FEED CONNECTING ARM	FOR DSC-245V-4-1B,-7-0B			1
12	10119204	SOLENOID INSTALLING PLATE	FOR DSC-245V-4-1B,-7-0B			1
13	10119105	REVERSE FEED SOLENOID AC24V	FOR DSC-245V-4-1B,-7-0B			1
14	10161305	SOLENOID COVER	FOR DSC-245V-4-1B,-7-0B			1
15	10119402	LINK	FOR DSC-245V-4-1B,-7-0B			1
16	D1684141E00A	LINK INSTALLING BASE	FOR DSC-245V-4-1B,-7-0B			1
17	D2464555B00	LINK DRIVING MAGNET PIN	FOR DSC-245V-4-1B,-7-0B			1
18	D1686241E00	REVERSE FEED ROD	FOR DSC-245V-4-1B,-7-0B			1
19	D1685141E00	LEVER SPRING	FOR DSC-245V-4-1B,-7-0B			1
20	D1687141E00	PIN	FOR DSC-245V-4-1B,-7-0B			1
21	GES12155000	CLIP C	FOR DSC-245V-4-1B,-7-0B			4
22	NS6150430SP	NUT 15/64-28	FOR DSC-245V-4-1B,-7-0B			1
23	SD0720331SP	HINGE SCREW D=7.24 H=3.3	FOR DSC-245V-4-1B,-7-0B			2
24	SS7110710SP	SCREW 11/64-40 L=7	FOR DSC-245V-4-1B,-7-0B			1
25	SS7151210SP	SCREW 15/64-28 L=12	FOR DSC-245V-4-1B,-7-0B			2
26	SS7121410TP	SCREW 3/16-28 L=14	FOR DSC-245V-4-1B,-7-0B			1
27	SS9111010SP	SCREW 11/64-40 L=9.5	FOR DSC-245V-4-1B,-7-0B			4
28	SS7151210SP	SCREW 15/64-28 L=12	FOR DSC-245V-4-1B,-7-0B			2
29	SS7110710SP	SCREW 11/64-40 L=7	FOR DSC-245V-4-1B,-7-0B			1
30	SS7110710SP	SCREW 11/64-40 L=7	FOR DSC-245V-4-1B,-7-0B			4
31	WP0501016SD	WASHER 5X10.5X1	FOR DSC-245V-4-1B,-7-0B			4
32	WP0501016SD	WASHER 5X10.5X1	FOR DSC-245V-4-1B,-7-0B			4
33	WP0621016SD	WASHER 6.2X13X1	FOR DSC-245V-4-1B,-7-0B			2
34	WS0631510KP	SPRING WASHER	FOR DSC-245V-4-1B,-7-0B			2
35	WP0501016SD	WASHER 5X10.5X1	FOR DSC-245V-4-1B,-7-0B			2
36	RE0400000K0	E-RING 4	FOR DSC-245V-4-1B,-7-0B			2
37	RE0600000K0	E-RING 6	FOR DSC-245V-4-1B,-7-0B			2
38	BP300000000	VINYL PIPE	FOR DSC-245V-4-1B,-7-0B			0.1
39	D1621241E00	FEED CONTROL LEVER SHAFT	FOR DSC-245V-4-1,-7-0B			1
40	B1621241H00	REVERSE FEED CONTROL LEVER SHAFT	FOR DSC-245V,-4-1,-7-00			1
41	D1624241E0A	REVERSE FEED CONTROL LEVER	FOR DSC-245V-4-1B,-7-0B			1
42	B162458600A	REVERSE FEED CONTROL LEVER	FOR DSC-245V,-4-1,-7-00			1
43	SS7620750SP	SCREW 3/16-32 L=6.5				2
44	SS8661040TP	SCREW 1/4-40 L=10	FOR DSC-245V,-4-1,-7-00			1
45	SS8660810TP	SCREW 1/4-40 L=8	FOR DSC-245V,-4-1,-7-00			1
46	SS7090710SP	SCREW 9/64-40 L=6.8				1
47	B1646241H00	TENSION SPRING				1

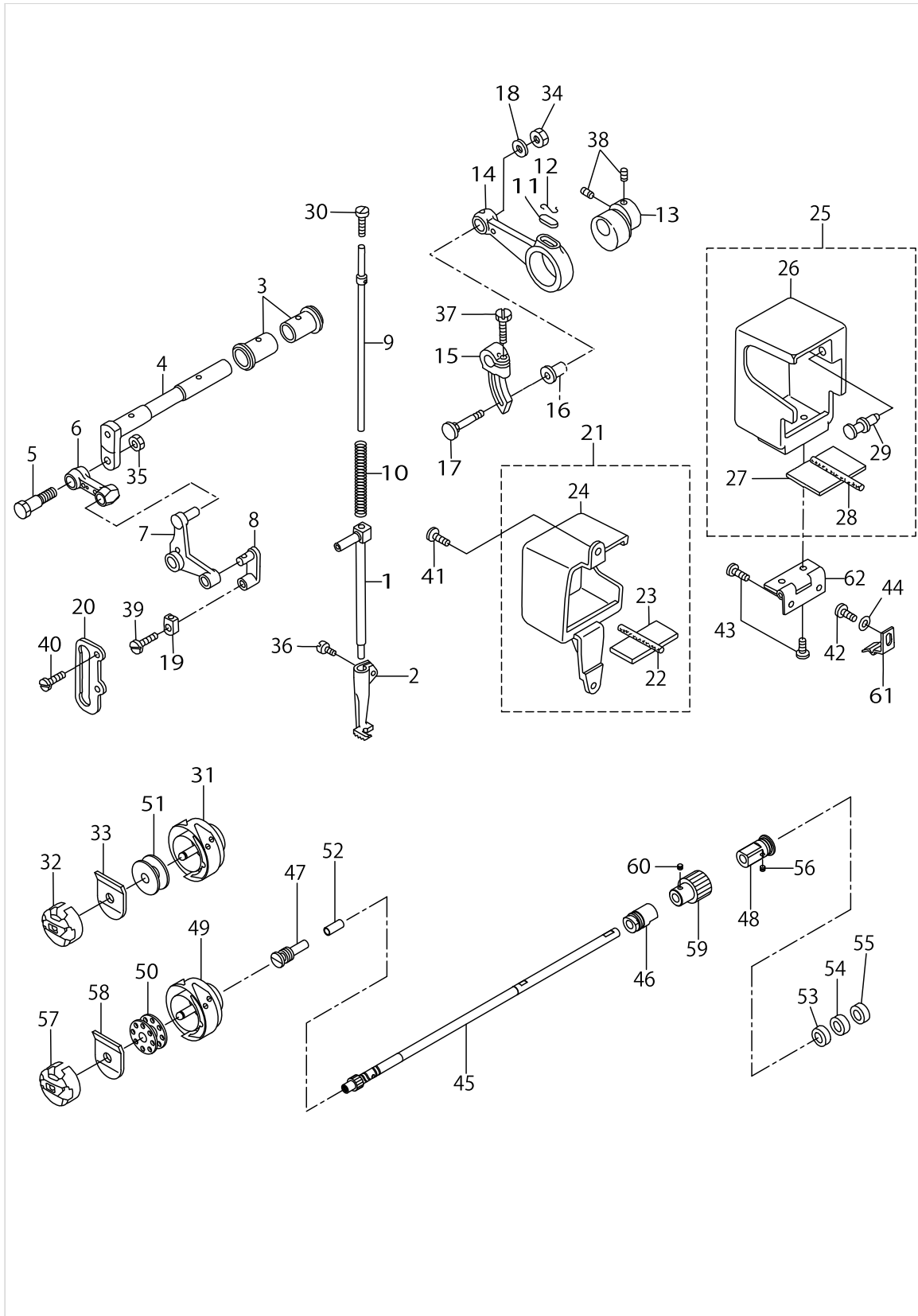
REVERSE FEED MECHANISM COMPONENTS



REVERSE FEED MECHANISM COMPONENTS

No.	Parts No.	Parts name	Remarks	Level	Cons	Qty
48	B1648122000	SUSPENSION HOOK (B)				1

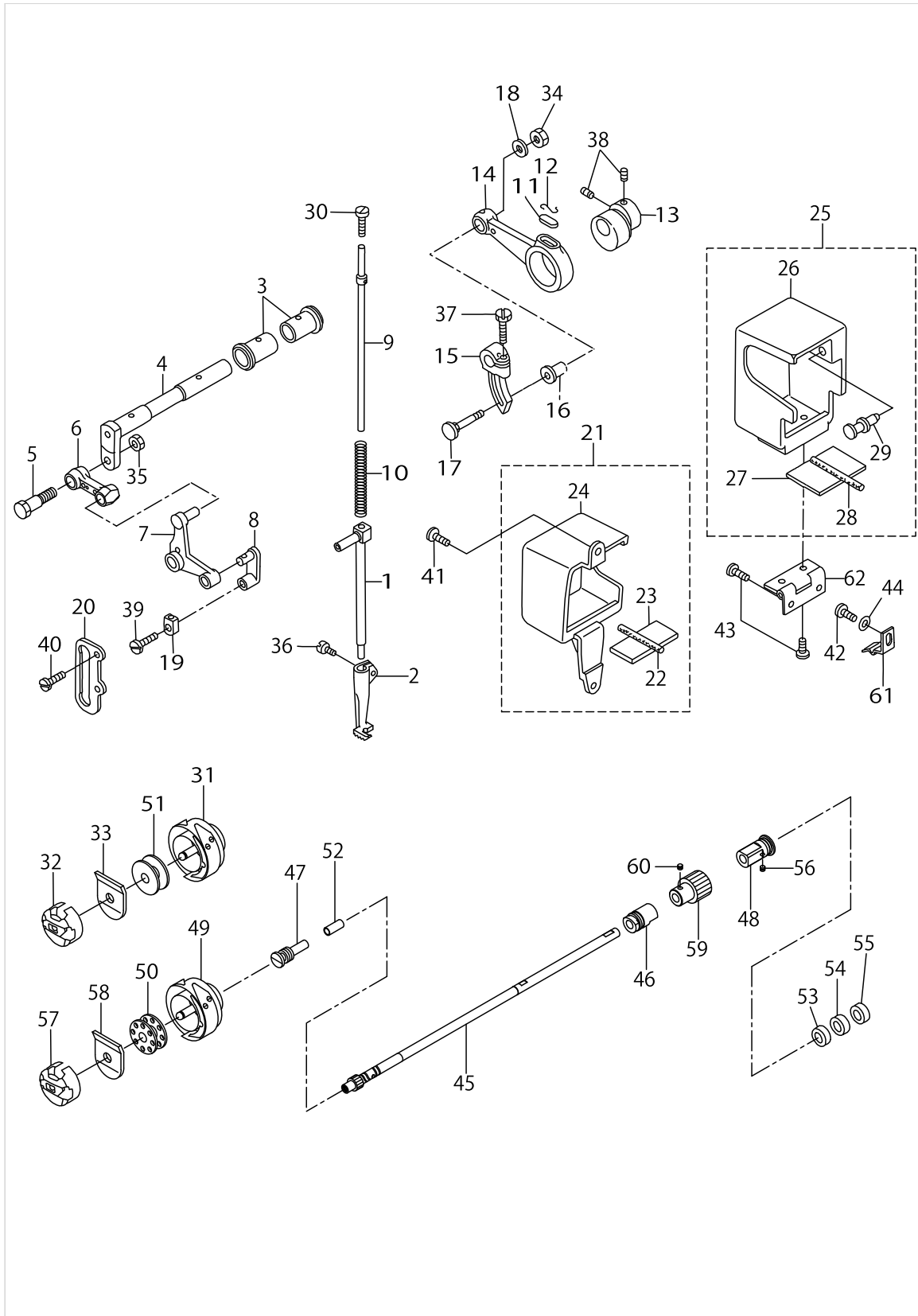
UPPER FEED MECHANISM & HOOK DRIVING SHAFT COMPONENTS



UPPER FEED MECHANISM & HOOK DRIVING SHAFT COMPONENTS

No.	Parts No.	Parts name	Remarks	Level	Cons	Qty
1	40033030	WALKING BAR A				1
2	MAN10452000	UPPER PRESSER FOOT				1
3	B1455053000	BUSHING				2
4	10314003	UPPER FEED DRIVING SHAFT				1
5	B3008141H00	HINGE SCREW				1
6	D1458241E00	CONNECTING LINK				1
7	D1459241E00	L SHAPED LINK				1
8	40143782	WALKING_BAR_DRIVING_LINK				1
9	B14670530A0	WALKING BAR ASM.				1
10	B1468053000	WALKING BAR SPRING				1
11	B1702012000	OIL FELT				1
12	B1213012000	FELT RETAINER				1
13	D1450055B00	UPPER FEED DRIVING CAM				1
14	D1453241E00	UPPER FEED DRIVING ROD				1
15	40143487	UPPER_FEED_ROD				1
16	D1455055B00	CONNECTING STUD				1
17	D1456055B00	HINGE SCREW				1
18	WP0482086SD	WASHER 4.8X11.5X2				1
19	B1414555000	SLIDE BLOCK				1
20	B1467563000	UPPER FEED BAR GUIDE				1
21	D1480241EAA	UPPER FEED FRONT COVER ASM.				1
22	CQ303000000	OIL WICK		*		0.2
23	D1481241E00	FELT		*		1
24	D1480241E0A	UPPER FEED FRONT COVER		*		1
25	D1482241EAA	UPPER FEED REAR COVER ASM.				1
26	D1482241E0A	UPPER FEED REAR COVER		*		1
27	D1483241E00	FELT		*		1
28	CQ303000000	OIL WICK		*		0.2
29	D1484241E00	PIN		*		1
30	SS6151220SP	SCREW 15/64-28 L=11.5				1
31	21209952	SEWING HOOK ASM.	FOR DSC-245V-4,-7			1
32	21210059	BOBBIN CASE ASM.	FOR DSC-245V-4,-7			1
33	21210901	IDLING PREVENTION SPRING	FOR DSC-245V-4,-7			1
34	NS6110530SP	NUT 11/64-40				1
35	NS6660430SP	NUT 1/4-40				1
36	SS6110710TP	SCREW 11/64-40 L=6.5				1
37	SS9161610SP	SCREW 1/4-24 L=16				1
38	SS8660610TP	SCREW 1/4-40 L=6				2
39	SS7110510SP	SCREW 11/64-40 L=5				1
40	SS7110910TP	SCREW 11/64-40 L=8.5				2
41	SS7111120SP	SCREW 11/64-40 L=10.5				2
42	SS7110710SP	SCREW 11/64-40 L=7				1
43	SS7110710SP	SCREW 11/64-40 L=7				4
44	WP0450000SD	WASHER 4.5X8X0.5				1
45	B1801245000	HOOK DRIVING SHAFT				1
46	B1802245000	BUSHING FRONT				1
47	22916506	SET SCREW				1

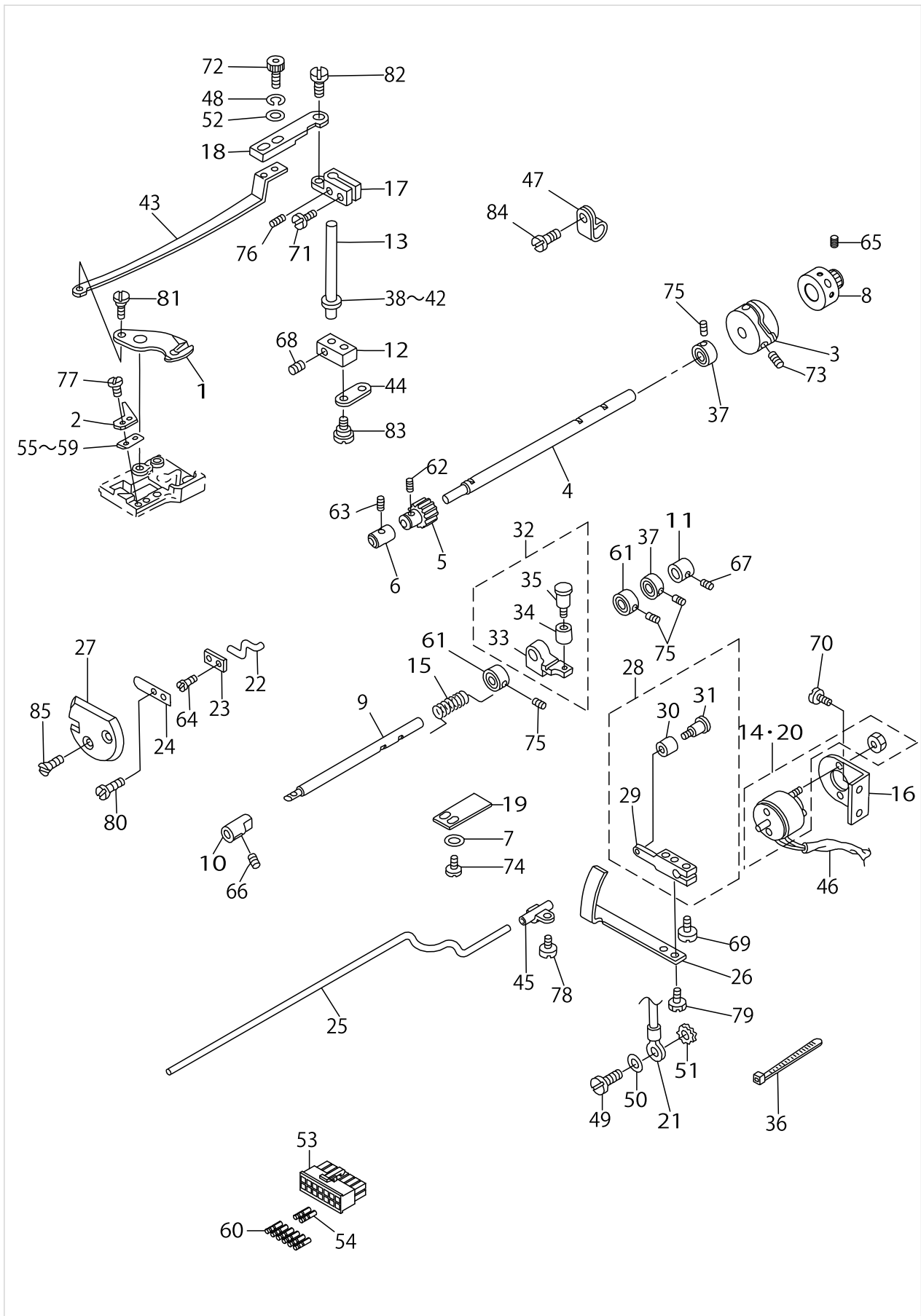
UPPER FEED MECHANISM & HOOK DRIVING SHAFT COMPONENTS



UPPER FEED MECHANISM & HOOK DRIVING SHAFT COMPONENTS

No.	Parts No.	Parts name	Remarks	Level	Cons	Qty
48	B1803245000	BUSHING REAR				1
49	B18302450A0	HOOK ASM.				1
50	22932909	BOBBIN	FOR DSC-245V			1
51	22964001	BOBBIN A	FOR DSC-245V-4,-7			1
52	B18092450A0	OIL WICK ASM.				1
53	B183924500A	THRUST PLATE	SELECTIVE PARTS			1
54	B183924500B	THRUST PLATE				1
55	B183924500C	THRUST PLATE	SELECTIVE PARTS			1
56	SS8151550SP	SCREW 15/64-28 L=15				1
57	B18372450A0	BOBBIN CASE ASM.				1
58	B1838245000	SPRING	SELECTIVE PARTS			1
59	D2405245E00	CAM SHAFT GEAR				1
60	SS8660530TP	SCREW 1/4-40 L=4.5				2
61	D1485241E00	UPPER FEED COVER SPRING				1
62	D1486241E00	UPPER FEED COVER HINGE				1

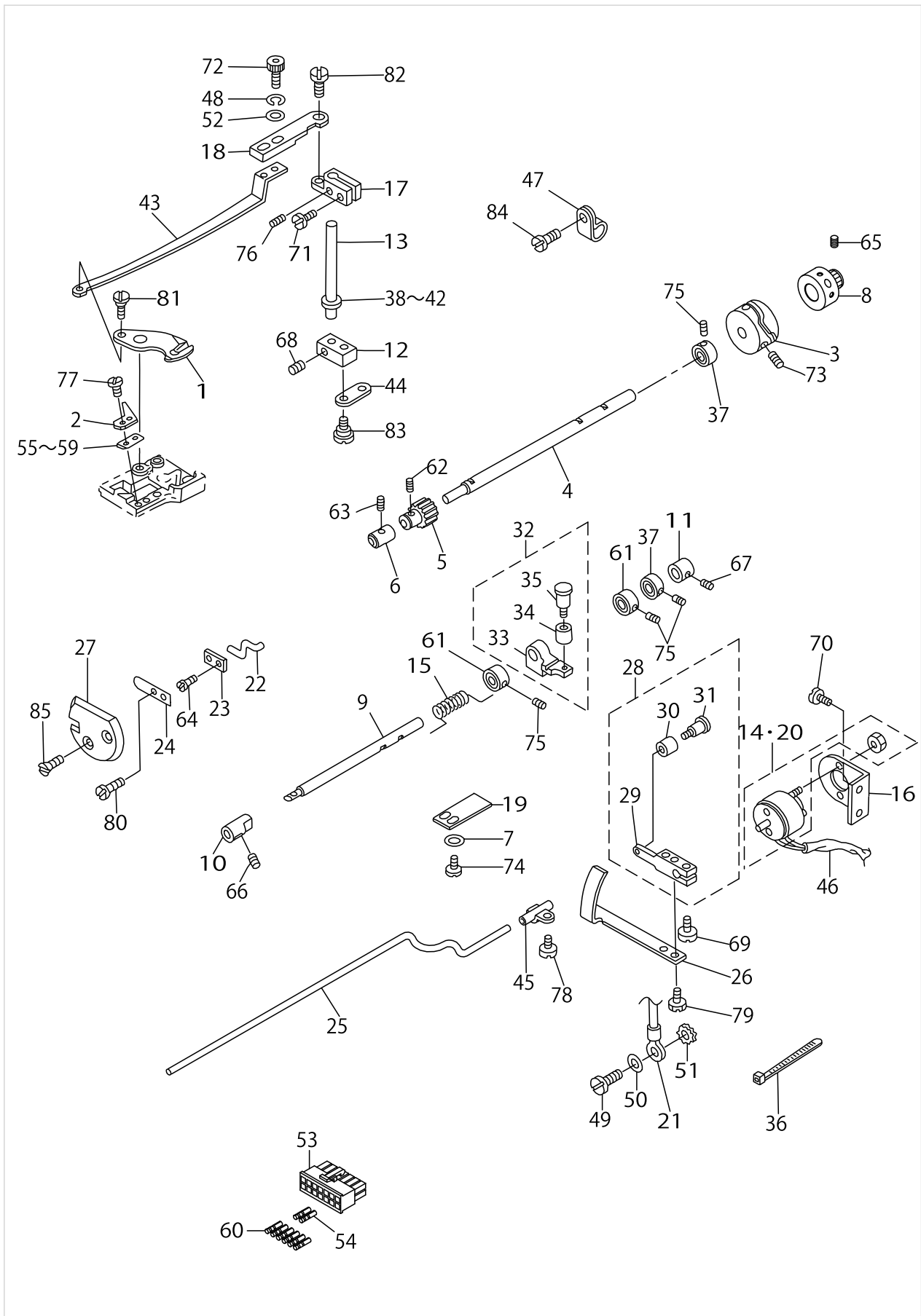
THREAD TRIMMER COMPONENTS



THREAD TRIMMER COMPONENTS

No.	Parts No.	Parts name	Remarks	Level	Cons	Qty
1	D2401245E00	MOVING KNIFE	FORDSC-245V-4,-7			1
2	D2402245E00	COUNTER KNIFE	FORDSC-245V-4,-7			1
3	D2403245E00	THREAD TRIMMER CAM	FORDSC-245V-4,-7			1
4	D2404245E00	CAM SHAFT	FORDSC-245V-4,-7			1
5	D2405245E00	CAM SHAFT GEAR	FORDSC-245V-4,-7			1
6	D2406245E0A	HOOK SHAFT BUSHING FRONT	FORDSC-245V-4,-7			1
7	WP0371026SD	WASHER 3.7X7X1	FORDSC-245V-4,-7			2
8	D2408245E00	BUSHING REAR	FORDSC-245V-4,-7			1
9	D2409245E00	DRIVING SHAFT A	FORDSC-245V-4,-7			1
10	D2410245E00	BUSHING FRONT	FORDSC-245V-4,-7			1
11	D2411245E00	BUSHING REAR	FORDSC-245V-4,-7			1
12	D2412245E00	KNIFE DRIVING SHAFT ARM A	FORDSC-245V-4,-7			1
13	D2413245E00	DRIVING SHAFT B	FORDSC-245V-4,-7			1
14	D2414245E00	SOLENOID	FOR DSC-245V-4			1
15	D2416245E00	SPRING	FORDSC-245V-4,-7			1
16	D2418245E00	SOLENOID BASE	FORDSC-245V-4,-7			1
17	D2419245E00	KNIFE DRIVING LINK B	FORDSC-245V-4,-7			1
18	D2420245E00	KNIFE DRIVING PLATE B	FORDSC-245V-4,-7			1
19	D2421245E00	CAM ROLLER ARM HOLDER	FORDSC-245V-4,-7			1
20	D2414245E0A	SOLENOID	FOR DSC-245V-7			1
21	D6037245GA0	GROUND WIRE ASM.	FOR DSC-245V-7			1
22	D2424245E00	PICKER	FORDSC-245V-4,-7			1
23	D2425245E00	PICKER HOLDER PLATE	FORDSC-245V-4,-7			1
24	D2426245E00	SPRING	FORDSC-245V-4,-7			1
25	D2427245E00	PICKER DRIVING BAR	FORDSC-245V-4,-7			1
26	D2428245E00	PICKER DRIVING PLATE	FORDSC-245V-4,-7			1
27	D2429245E00	PICKER COVER	FORDSC-245V-4,-7			1
28	D2415245EA0	SOLENOID ARM ASM.	FORDSC-245V-4,-7			1
29	D2415245E00	SOLENOID ARM		*		1
30	B3031141H00	CONNECTING STUD		*		1
31	D2423245E00	CAM ROLLER ARM		*		1
32	D2417245EA0	CAM ROLLER ARM ASM.	FORDSC-245V-4,-7			1
33	D2417245E00	CAM ROLLER ARM		*		1
34	B3031141H00	CONNECTING STUD		*		1
35	D2423245E00	CAM ROLLER ARM		*		1
36	GES12153000	OIL WICK HOLDER	FORDSC-245V-4,-7			5
37	D2432245E00	THRUST COLLER	FORDSC-245V-4,-7			2
38	B185351200AA	HOOK SHAFT WASHER A	SELECTIVE PARTS FOR DSC-245V-4			1
39	B185351200BA	HOOK SHAFT WASHER B	SELECTIVE PARTS FOR DSC-245V-4			1
40	B185351200CA	HOOK SHAFT WASHER C	FORDSC-245V-4,-7			1
41	B185351200D	HOOK SHAFT WASHER	SELECTIVE PARTS FOR DSC-245V-4			1
42	B185351200E	HOOK SHAFT WASHER	SELECTIVE PARTS FOR DSC-245V-4			1
43	D2431245E00	KNIFE DRIVING PLATE A	FORDSC-245V-4,-7			1
44	D2436141E00	CONNECTING LINK	FORDSC-245V-4,-7			1
45	D2430245EA0	PICKER DRIVING BAR HOLDER ASM.	FORDSC-245V-4,-7			1

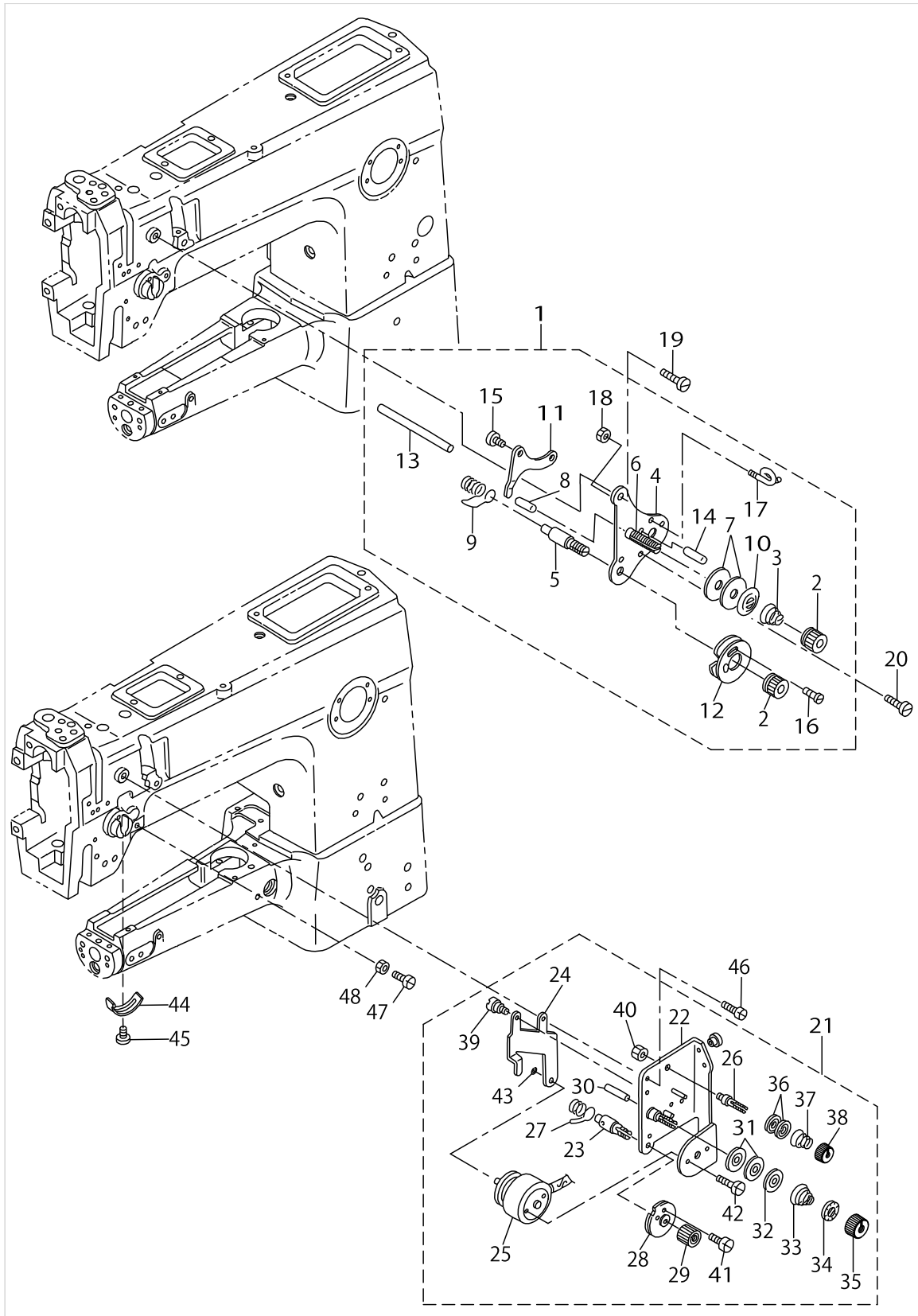
THREAD TRIMMER COMPONENTS



THREAD TRIMMER COMPONENTS

No.	Parts No.	Parts name	Remarks	Level	Cons	Qty
46	D2428141E00	CORD TUBE 5X0.4	FORDSC-245V-4,-7			1
47	D2120555C00	CORD PRESSER (120V)	FORDSC-245V-4,-7			1
48	WS0410002KN	SPRING WASHER	FORDSC-245V-4,-7			2
49	SS7110710SP	SCREW 11/64-40 L=7	FORDSC-245V-4,-7			1
50	WP0501016SD	WASHER 5X10.5X1	FORDSC-245V-4,-7			1
51	WT0530002KS	TOOTHED WASHER D=5.3	FORDSC-245V-4,-7			1
52	WP0371026SD	WASHER 3.7X7X1	FORDSC-245V-4,-7			2
53	HK034610140	HOUSING 14P	FOR DSC-245V-7			1
54	HK03464000B	PIN CONTACT	FOR DSC-245V-7-00			2
55	21212600	SUPPORT PLAT	SELECTIVE PARTS FOR DSC-245V-4			1
56	21212709	SUPPORT PLAT	SELECTIVE PARTS FOR DSC-245V-4			1
57	21212808	SUPPORT PLAT	FORDSC-245V-4,-7			1
58	21212907	SUPPORT PLAT	SELECTIVE PARTS FOR DSC-245V-4			1
59	21213004	SUPPORT PLAT	SELECTIVE PARTS FOR DSC-245V-4			1
60	HK03464000B	PIN CONTACT	FOR DSC-245V-7-00B			6
61	D2432245E0A	THRUST COLLAR A	FORDSC-245V-4,-7			2
62	SS8660530TP	SCREW 1/4-40 L=4.5	FORDSC-245V-4,-7			2
63	SS8151230SP	SCREW 15/64-28 L=12	FORDSC-245V-4,-7			1
64	D2435245E00	SCREW	FORDSC-245V-4,-7			1
65	SS8151230SP	SCREW 15/64-28 L=12	FORDSC-245V-4,-7			1
66	SS8151230SP	SCREW 15/64-28 L=12	FORDSC-245V-4,-7			1
67	SS8151230SP	SCREW 15/64-28 L=12	FORDSC-245V-4,-7			1
68	SS7110540SP	SCREW 11/64-40 L=5	FORDSC-245V-4,-7			2
69	SS7110910SP	SCREW 11/64-40 L=8.5	FORDSC-245V-4,-7			1
70	SS7110910SP	SCREW 11/64-40 L=8.5	FORDSC-245V-4,-7			2
71	SS7111410TP	SCREW 11/64-40 L=14	FORDSC-245V-4,-7			1
72	SS7091410SP	SCREW 9/64-40 L=13.5	FORDSC-245V-4,-7			2
73	SS8660612TP	SCREW 1/4-40 L=6	FORDSC-245V-4,-7			2
74	SS6090810SP	SCREW 9/64-40 L=7.5	FORDSC-245V-4,-7			2
75	D2434245E00	SCREW	FORDSC-245V-4,-7			8
76	SS8090410SP	SCREW 9/64-40 L=3.5	FORDSC-245V-4,-7			1
77	SS7060310SP	SCREW 3/32-56 L=3	FORDSC-245V-4,-7			2
78	SS7110710SP	SCREW 11/64-40 L=7	FORDSC-245V-4,-7			1
79	SS6090510TP	SCREW 9/64-40 L=5.0	FORDSC-245V-4,-7			2
80	SS5060310SP	SCREW 3/32-56 L=2.8	FORDSC-245V-4,-7			2
81	D2433245E00	HINGE SCREW	FORDSC-245V-4,-7			1
82	SD0640321SP	HINGE SCREW D=6.35 H=3.2	FORDSC-245V-4,-7			1
83	D2441141E00	HINGE SCREW	FORDSC-245V-4,-7			2
84	SS7110710SP	SCREW 11/64-40 L=7	FORDSC-245V-4,-7			1
85	D2436245E00	SCREW	FORDSC-245V-4,-7			2

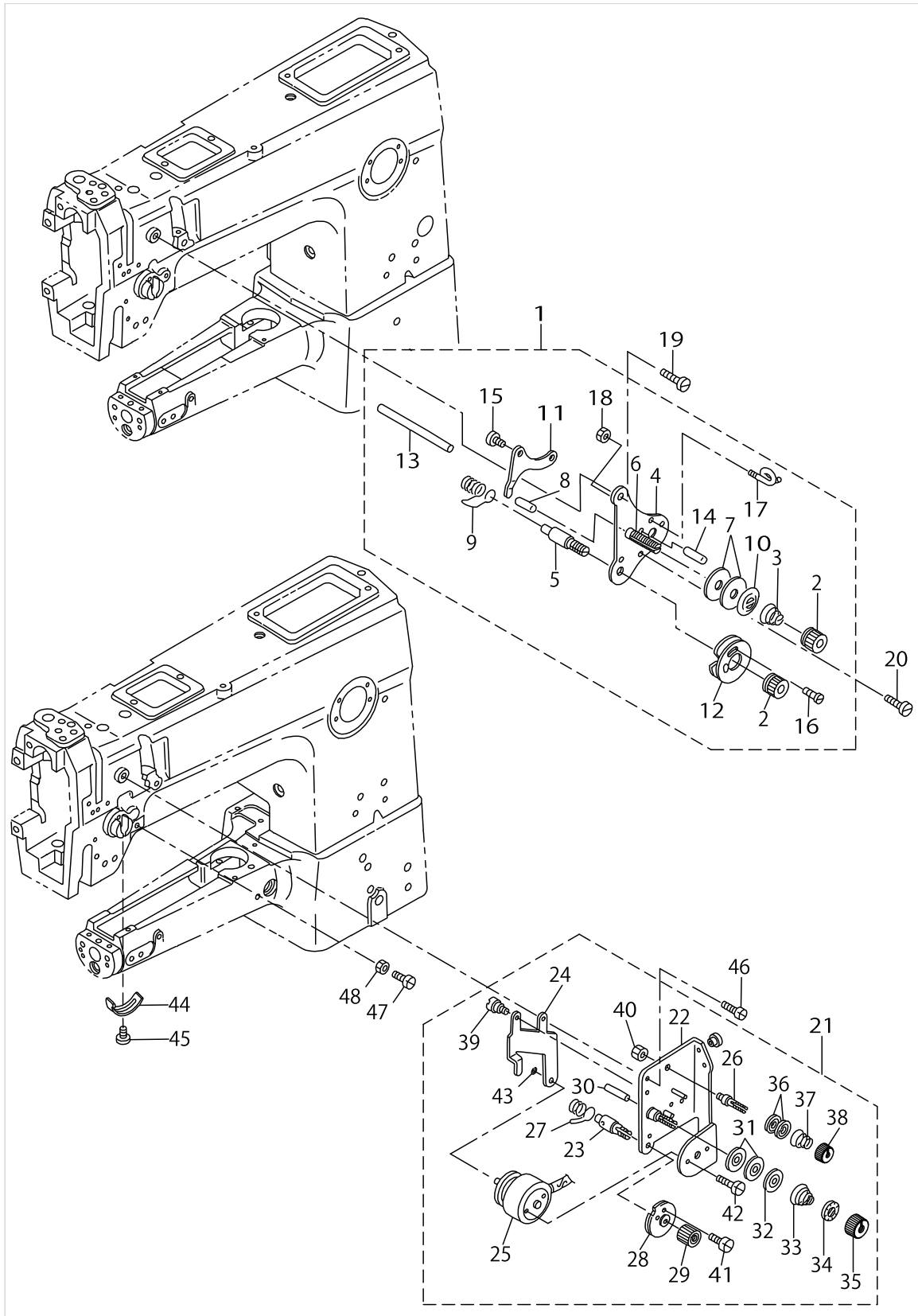
THREAD TENSION COMPONENTS



THREAD TENSION COMPONENTS

No.	Parts No.	Parts name	Remarks	Level	Cons	Qty
1	B31212450A0	TENSION CONTROLLER ASM.	FOR DSC-245V			1
2	B3125012000	THREAD TENSION NUT		*		2
3	B3129053000	TENSION SPRING		*		1
4	B3121245000	TENSION POST BASE		*		1
5	B3123051000	TAKE-UP SPRING STUD		*		1
6	B3124051000	TENSION STUD		*		1
7	B3126051000	TENSION DISC		*		2
8	B3127051000	TENSION RELEASE PIN SHORT		*		1
9	B3128051000	THREAD TAKE-UP SPRING A		*		1
10	B3132051000	TENSION DISC HOLDER		*		1
11	B3134051000	TENSION RELEASE LEVER		*		1
12	B31370510A0	TAKE-UP SPRING GUIDE DISC ASM.		*		1
13	B3122053000	TENSION RELEASE BAR		*		1
14	PS0200122K0	SPRING PIN 2.0X12		*		1
15	SD0470281SP	HINGE SCREW D=4.7 H=2.8		*		2
16	SS4080610SP	SCREW 1/8-44 L=6.4		*		1
17	B3114761000	FRAME THREAD GUIDE B		*		1
18	NS6060350SP	NUT 3/32-56		*		1
19	SS7110710SP	SCREW 11/64-40 L=7	FOR DSC-245V			1
20	SS2090710TP	SCREW 9/64-40 L=7.2	FOR DSC-245V			1
21	10320075	TENSION POST ASM.	FOR DSC-245V-4,-7			1
22	10320059	TENSION POST BASE ASM.		*		1
23	10320109	SCREW STUD		*		1
24	10320505	TENSION RELEASE LEVER		*		1
25	10320703	TENSION RELEASE SOLENOID		*		1
26	10124204	THREAD TENSION POST A		*		1
27	B3128051000	THREAD TAKE-UP SPRING A		*		1
28	B31375270A0	TAKE-UP SPRING GUIDE ASM.		*		1
29	10320208	THRED TENSION STUD NUT		*		1
30	B3127051000	TENSION RELEASE PIN SHORT		*		1
31	B3126051000	TENSION DISC		*		2
32	B3132051000	TENSION DISC HOLDER		*		1
33	B3129053000	TENSION SPRING		*		1
34	B3120125000	ROTATING STOPPER		*		1
35	11072204	TENSION NUT		*		1
36	B3214047000	BOBBIN WINDER TENSION DISC		*		2
37	D3168555H0B	TENSION SPRING NO.1		*		1
38	11072402	THREAD TENSION NUT		*		1
39	SD0470281SP	HINGE SCREW D=4.7 H=2.8		*		2
40	NS6110310SP	NUT 11/64-40		*		1
41	SS3090710TP	SCREW 9/64-40 L=7		*		1
42	SS7110510SP	SCREW 11/64-40 L=5		*		2
43	WS0310002KR	SPRING WASHER 3.1X5.9X0.7		*		1
44	B3138512000	TAKE-UP SPRING ADJUSTING PLATE				1
45	SS7090520SP	SCREW 9/64-40 L=4.5				1
46	SS7110710SP	SCREW 11/64-40 L=7	FOR DSC-245V-4,-7			2
47	SS6111140SP	SCREW 11/64-40 L=11	FOR DSC-245V-4,-7			1

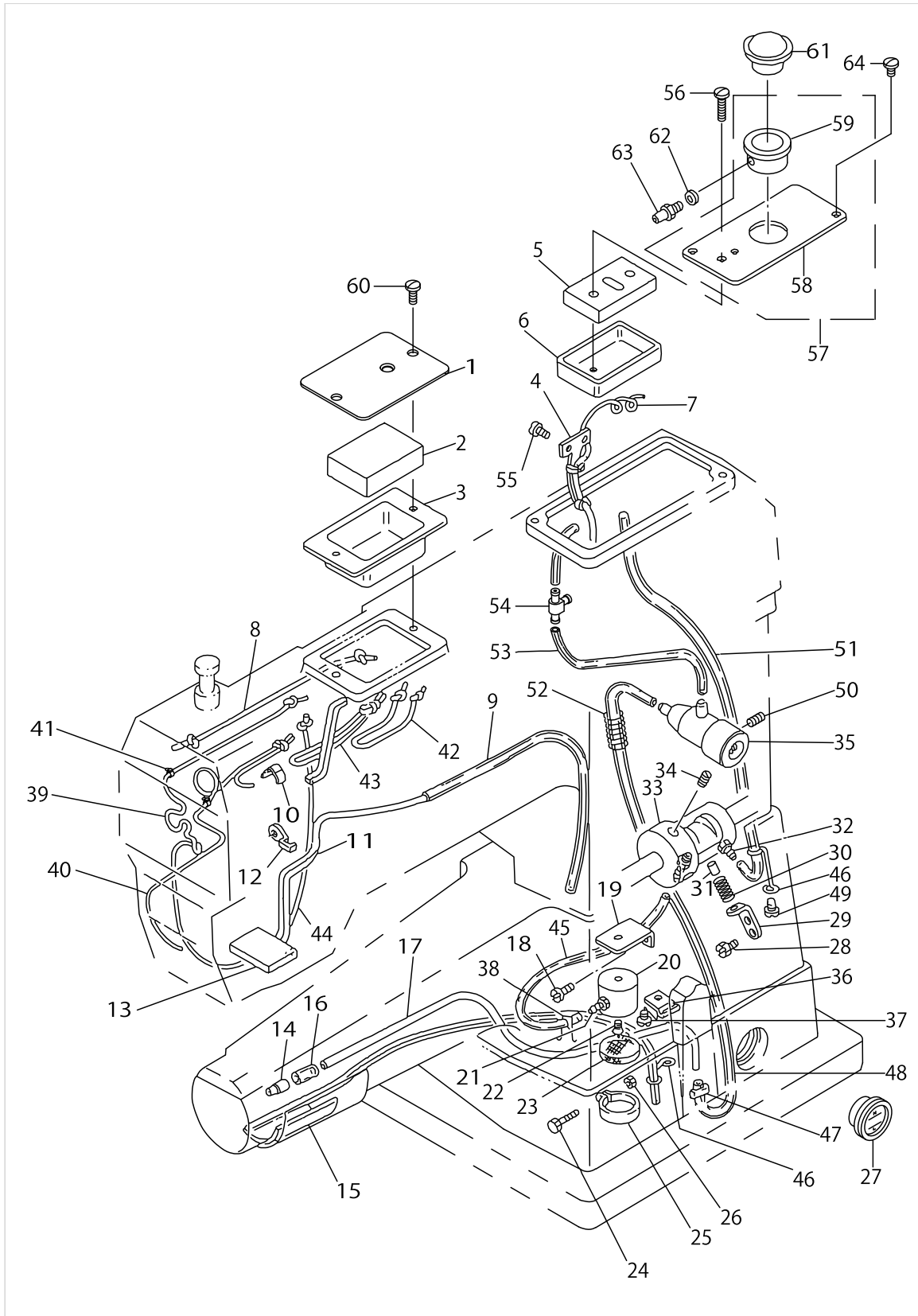
THREAD TENSION COMPONENTS



THREAD TENSION COMPONENTS

No.	Parts No.	Parts name	Remarks	Level	Cons	Qty
48	NS6110350SP	NUT 11/64-40	FOR DSC-245V-4,-7			1

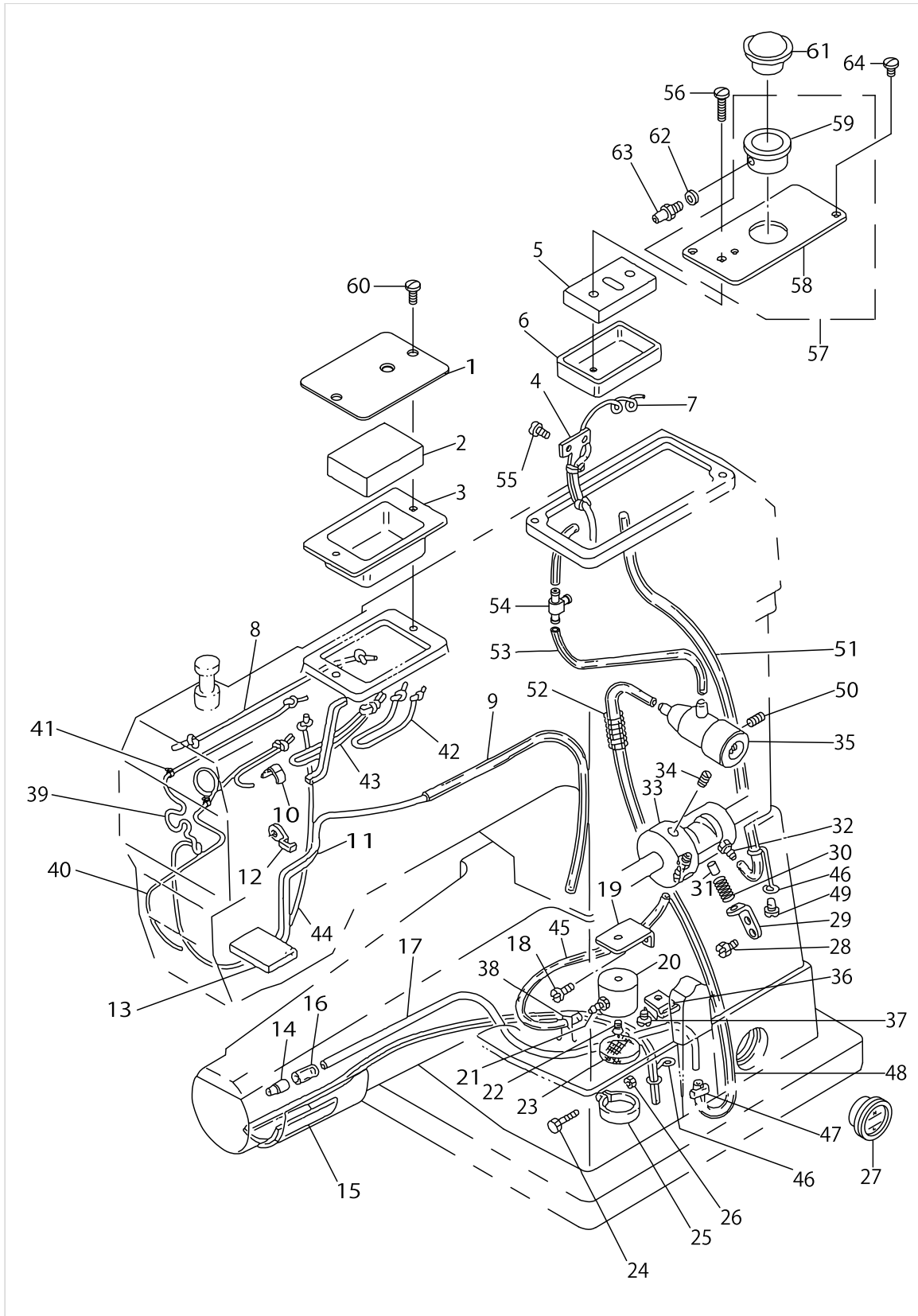
LUBRICATION COMPONENTS



LUBRICATION COMPONENTS

No.	Parts No.	Parts name	Remarks	Level	Cons	Qty
1	D3502241E0A	OIL TANK COVER				1
2	D3503241E00	FELT				1
3	D3501241E00	OIL TANK				1
4	B3502115000	OIL WICK RETAINER				1
5	B8218241H00	OIL PAD				1
6	B8217241H00	OIL RESERVOIR				1
7	CQ202000000	OIL WICK				0.4
8	CQ202000000	OIL WICK				0.9
9	BP600000000	VINYL PIPE				0.4
10	B1437051000	OIL WICK RETAINER				1
11	21136908	FELT				1
12	B3508512000	OIL FELT HOLDER				1
13	D3504241E00	OIL SPONGE				1
14	B3525245000	JOINT				1
15	B35272450A0	CYLINDER COVER FELT ASM.				1
16	BT0400251EC	TUBE HOSE YELLOW				0.3
17	B3523245000	OIL TUBE				1
18	SS7111310SP	SCREW 11/64-40 L=12.8				1
19	B3512246000	SUCTION SET PLATE				1
20	10126324	SUCTION				1
21	SQ1150451MZ	CONNECTING SCREW				1
22	SS2110930SP	SCREW 11/64-40 L=8.7				1
23	B1851512000	FILTER SCREEN				1
24	SS7090910SP	SCREW 9/64-40 L=8.5				1
25	B1850512000	BUSHING HOLDER				1
26	NS6090310SP	NUT 9/64-40				1
27	B3506245000	OIL WINDOW				1
28	SS9111010SP	SCREW 11/64-40 L=9.5				2
29	D3502245E00	PLUNGER HOLDER				1
30	B1214038000	PLUNGER SPRING				1
31	B3534155000	PLUNGER				1
32	SQ1110401MZ	CONNECTING SCREW				2
33	D3501245E00	OIL PUMP SHAFT				1
34	SM8040602TP	SCREW M4X0.7 L=6				2
35	D3513245EA0	OIL ADJUSTING ASM.				1
36	D3916481C01	OIL TUBE HOLDER				1
37	SS7110710SP	SCREW 11/64-40 L=7				1
38	10126803	OIL TUBE HOLDER				1
39	CQ202000000	OIL WICK				0.2
40	CQ202000000	OIL WICK				0.9
41	EA9500B0100	CABLE BAND				3
42	CQ202000000	OIL WICK				0.1
43	CQ202000000	OIL WICK				0.2
44	CQ202000000	OIL WICK				0.3
45	BT0500300EA	OIL TUBE				2
46	B3537201000	OIL FELT HOLDER				2
47	EA9500B0100	CABLE BAND				2

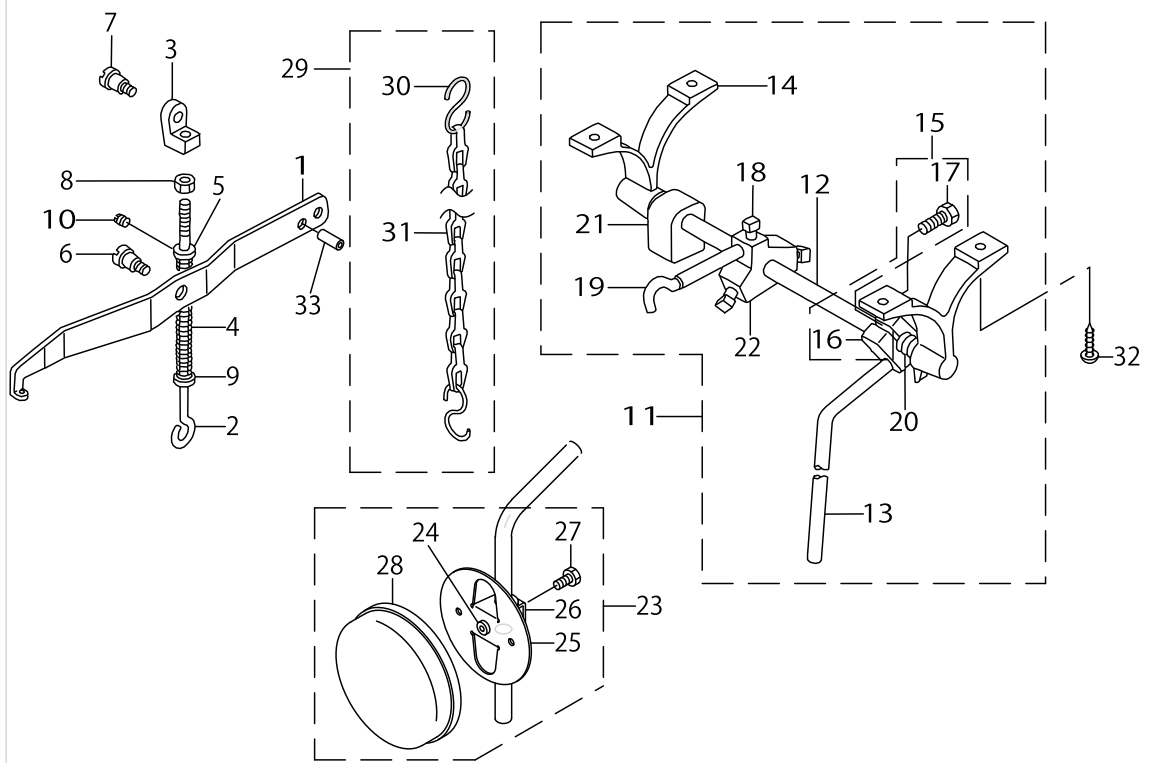
LUBRICATION COMPONENTS



LUBRICATION COMPONENTS

No.	Parts No.	Parts name	Remarks	Level	Cons	Qty
48	BT0500300EA	OIL TUBE				0.2
49	SS7110710SP	SCREW 11/64-40 L=7				1
50	SS8150710SP	SCREW 15/64-28 L=7				1
51	BT0500300EA	OIL TUBE				0.4
52	B3520245000	SPRING				1
53	BT0500300EA	OIL TUBE				0.3
54	13765607	OIL CONNec. ARM				1
55	SS7080510TP	SCREW 1/8-44 L=4.5				2
56	SS7111810SP	SCREW 11/64-40 L=18				1
57	B11502450AA	TOP COVER ASM.				1
58	B1150245000	TOP COVER		*		1
59	B3505245000	OIL SIGHT WINDOW BASE		*		1
60	SS7110710SP	SCREW 11/64-40 L=7				2
61	B3520586000	OIL SIGHT WINDOW				1
62	B3534012000	GASKET				2
63	SQ1110401MZ	CONNECTING SCREW				2
64	SS7110710SP	SCREW 11/64-40 L=7				2

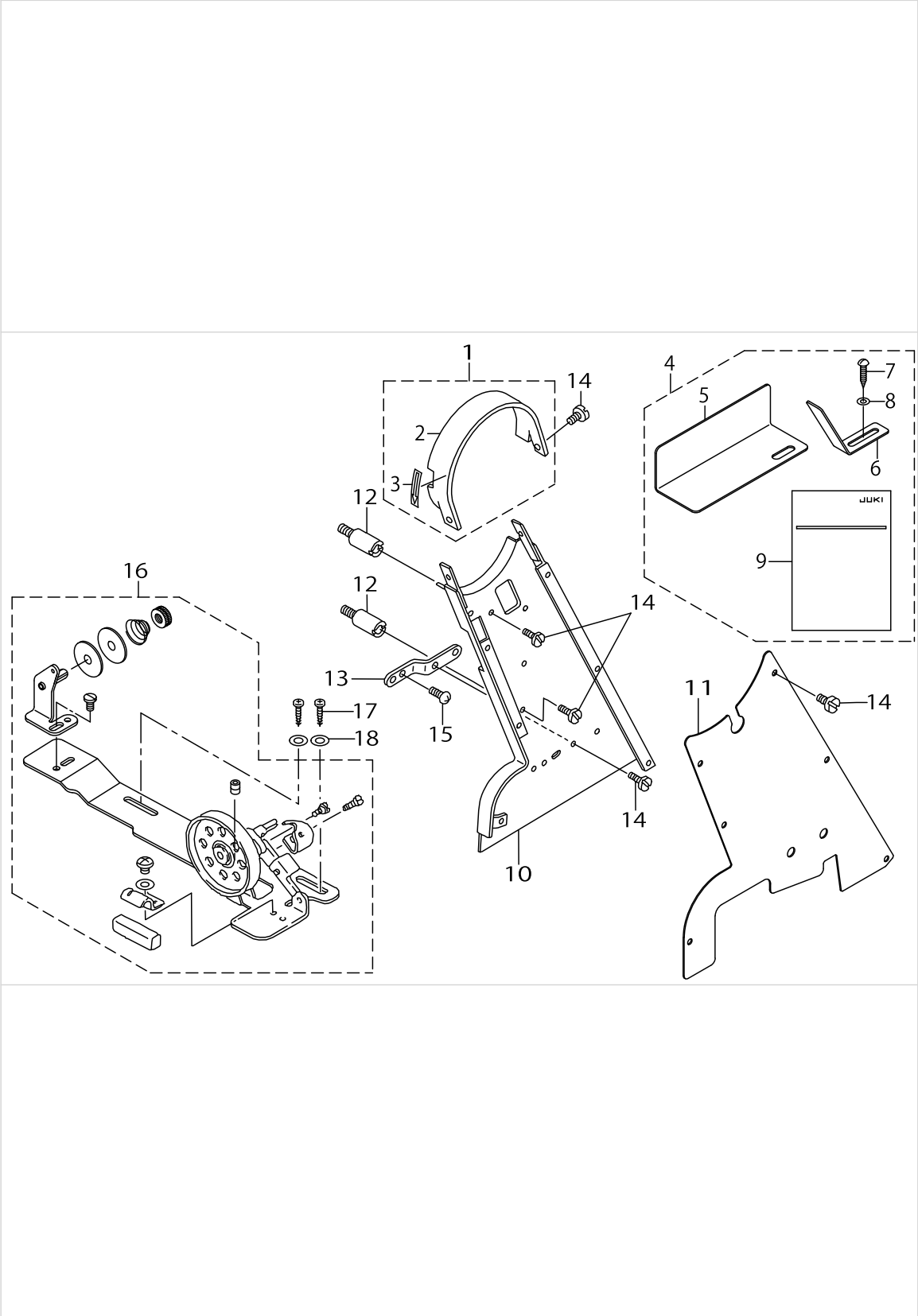
KNEE LIFTER COMPONENTS



KNEE LIFTER COMPONENTS

No.	Parts No.	Parts name	Remarks	Level	Cons	Qty
1	D3410241E00	PRESSER BAR LIFTING LEVER				1
2	B3415245000	LIFTING LEVER CONNECTING ROD				1
3	B3416141H00A	SWIVEL				1
4	B3414245000	SPRING				1
5	B3418245000	SPRING HOLDER				1
6	SD0790361SP	HINGE SCREW D=7.94 H=3.6				1
7	SD0790351SP	HINGE SCREW D=7.9 H=3.5				1
8	NS6620310SP	NUT 3/16-32				1
9	WP0621016SD	WASHER 6.2X13X1				1
10	SS7110730SP	SCREW 11/64-40 L=6.5				1
11	B34202450A0	KNEE LIFTER ASM.				1
12	B3420245000	MAIN SHAFT		*		1
13	B3422245000	KNEE LIFTER PLATE ROD		*		1
14	B3423245000	KNEE PRESS ROD HOLDER		*		2
15	22932453	BRACKET ASM.		*		1
16	22932404	BRACKET		*		1
17	22934707	SCREW		*		2
18	B3425141H00	MOUNTING BRACKET SET SCREW		*		3
19	B3424245000	KNEE LIFTER PLATE ARM		*		1
20	B3425245000A	SPRING		*		1
21	B3434141H00	BRACKET		*		1
22	B3424141H00	MOUNTING BRACKET		*		1
23	B34262450A0	KNEE PAD PLATE ASM.				1
24	22934400	KNEE PAD PLATE RUBBER		*		1
25	22934202	KNEE PAD PLATE		*		1
26	22934301	KNEE PAD PLATE SUPPORT		*		1
27	SM9061203SE	SCREW M6 L=12		*		1
28	22934509	KNEE PAD PLATE COVER		*		1
29	B34212450A0	CHAIN ASM.				1
30	13160304	S SHAPED HOOK		*		2
31	B3421245000	CHAIN		*		1
32	SK1483201SE	WOOD SCREW D=4.8 L=32				4
33	PS060024100	SPRING PIN 6X24				1

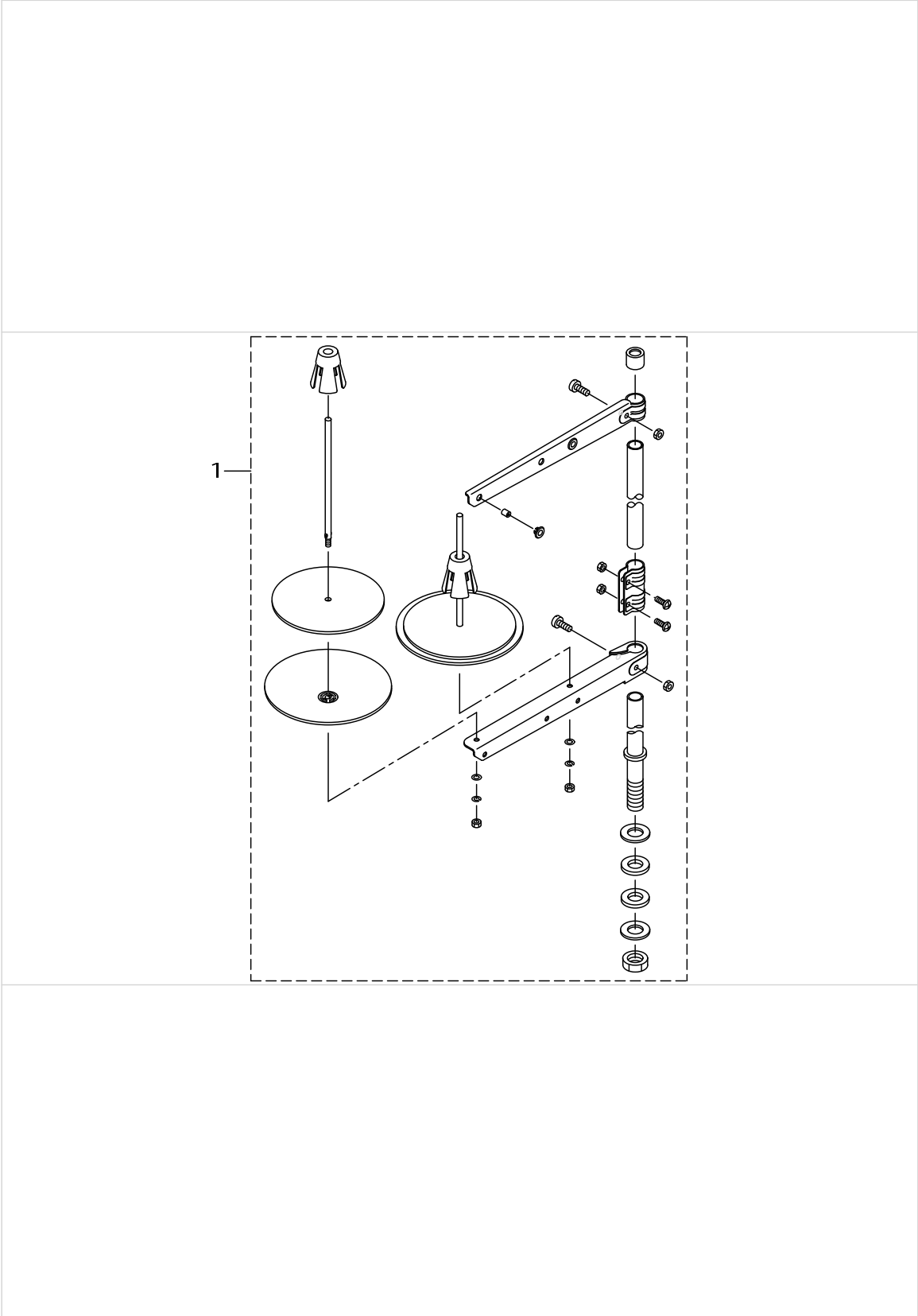
BELT COVER & THREAD WINDER COMPONENTS



BELT COVER & THREAD WINDER COMPONENTS

No.	Parts No.	Parts name	Remarks	Level	Cons	Qty
1	B91012450AA	BELT COVER(WITH LABEL)				1
2	B910124500A	TOP COVER		*		1
3	CM500300001	DIRECTION LABEL		*		1
4	B91122450AA	BELT COVER ASM.	FOR JE			1
5	B911224500A	SIDE COVER		*		1
6	B911324500A	REAR COVER		*		1
7	SK3482500SC	WOOD SCREW D=4.8 L=25		*		1
8	WP0501016SC	WASHER 5X10.5X1		*		1
9	29183803	BELT COVER INSTRUCTION MANUAL		*		1
10	B91022450AA	BELT COVER ASM.				1
11	B910424600A	BELT COVER				1
12	B9106245000	BELT COVER SUPPORT BAR				2
13	B9108245000	BELT COVER SUPPORT				1
14	SS6110480SP	SCREW 11/64-40 L=4.3				12
15	SS6111140SP	SCREW 11/64-40 L=11				2
16	22927354	BOBBIN WINDER COMPL.				1
17	SK3482500SC	WOOD SCREW D=4.8 L=25				2
18	WP0501016SC	WASHER 5X10.5X1				2

THREAD STAND COMPONENTS



THREAD STAND COMPONENTS

No.	Parts No.	Parts name	Remarks	Level	Cons	Qty
1	40096354	THREAD STAND ASM.				1

TABLE COMPONENTS

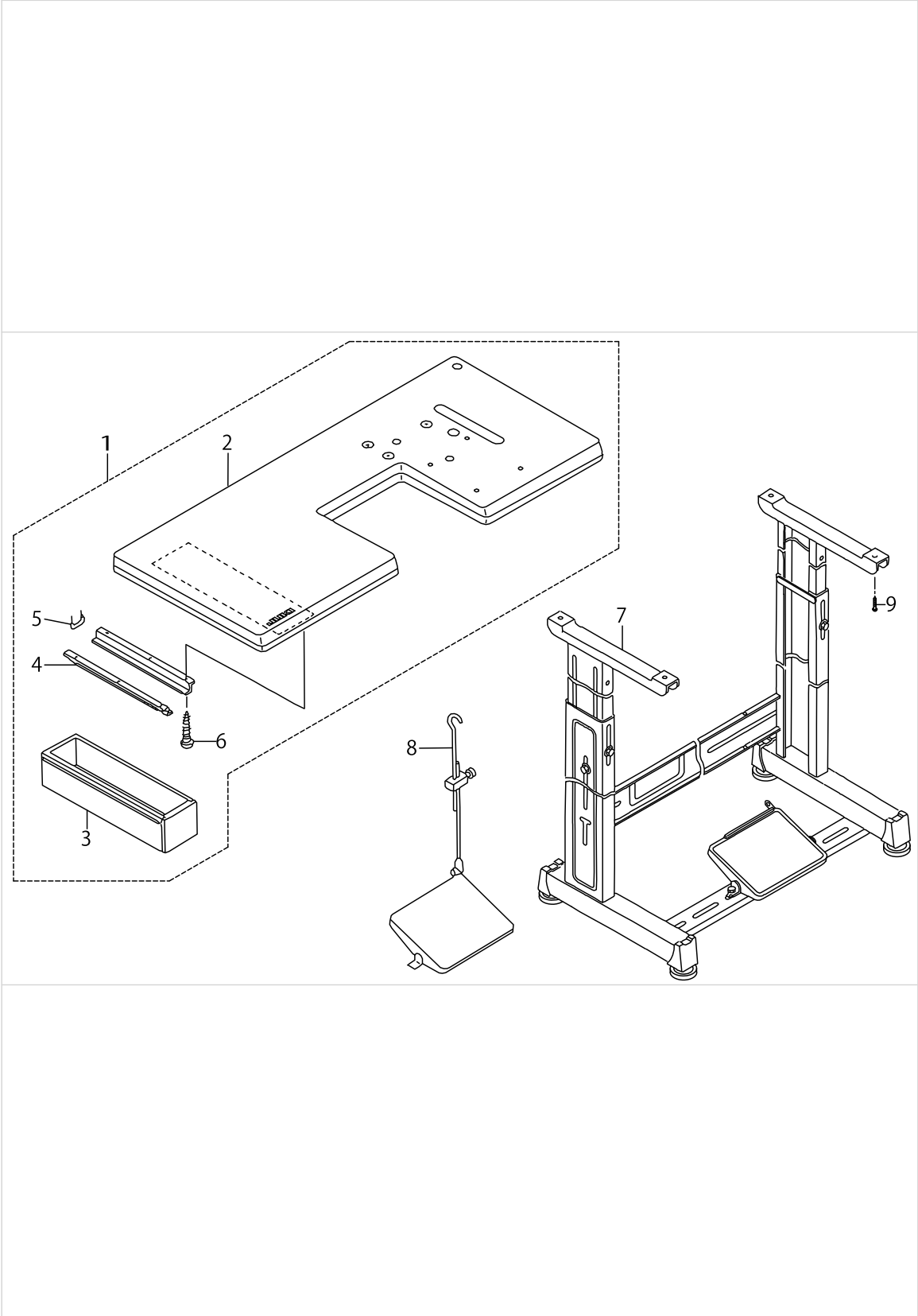
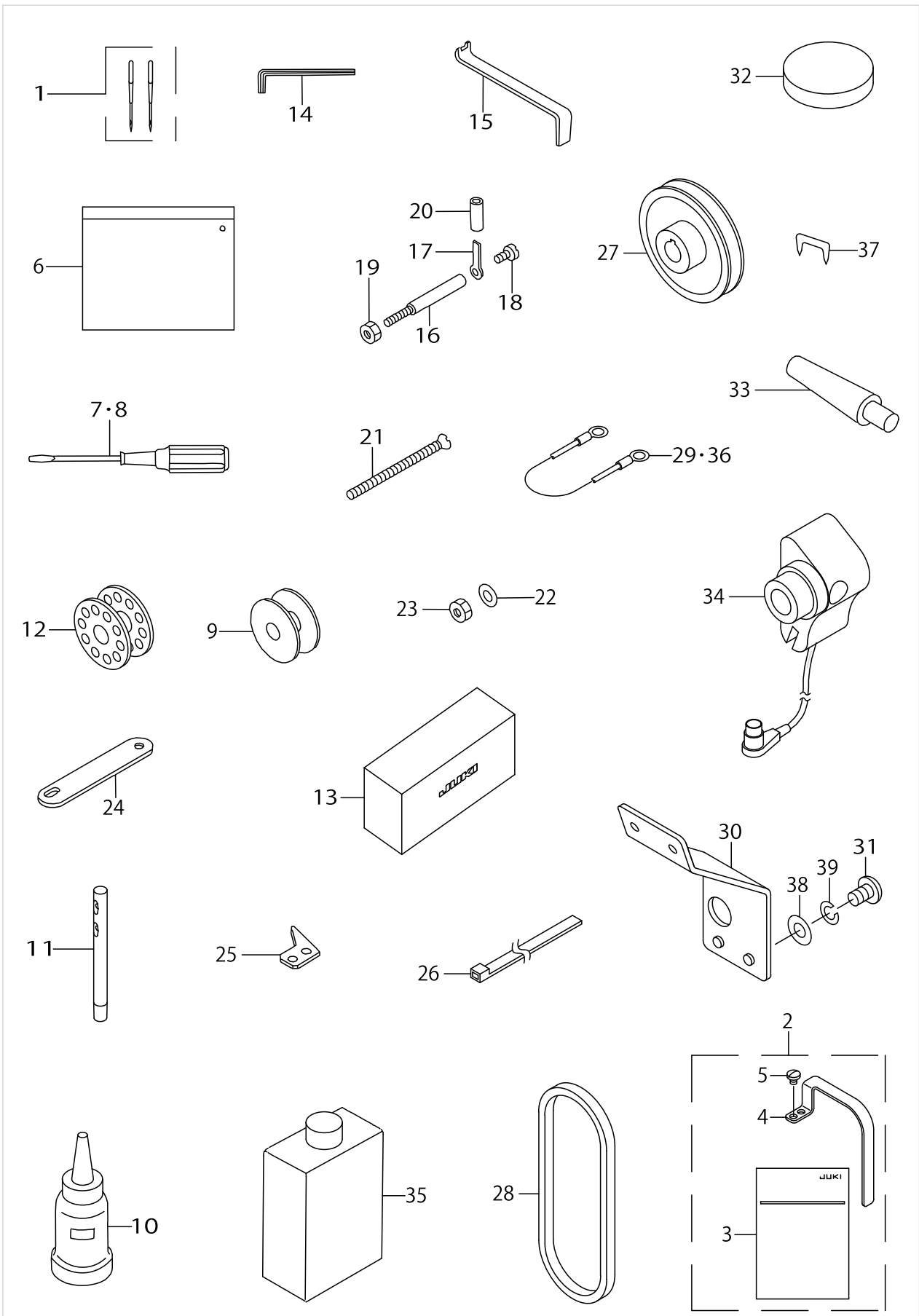


TABLE COMPONENTS

No.	Parts No.	Parts name	Remarks	Level	Cons	Qty
1	D8201245GA0	TABLE ASM.				1
2	D8201245G00	TABLE		*		1
3	11155108	DRAWER		*		1
4	11155207	DRAWER SUPPORT		*		2
5	D8204555D00	DRAWER STOPPER		*		1
6	SK3311600SE	WOOD SCREW D=3.1 L=16		*		6
7	11157567	T LEG JUNCTION				1
8	B71140120A0	MOTOR CONNECTING ROD ASM.	FOR DSC-245V			1
9	SK3513200SC	WOOD SCREW D=5.1 L=32				4

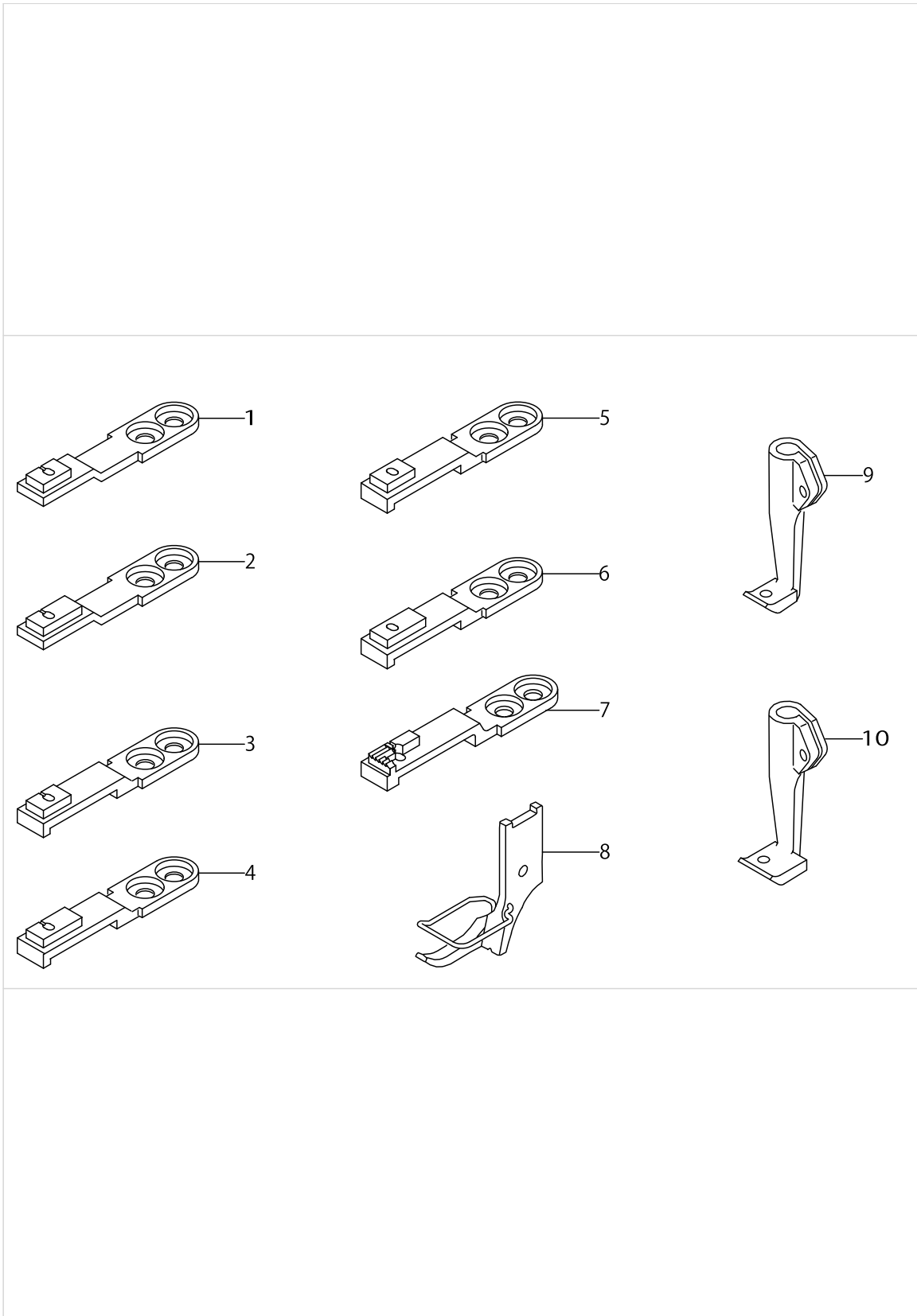
ACCESSORIES PARTS COMPONENTS



ACCESSORIES PARTS COMPONENTS

No.	Parts No.	Parts name	Remarks	Level	Cons	Qty
1	M13517B1102	NEEDLE 135X17 #110-2				1
2	B11582450AA	THREAD TAKE-UP LEVER COVER ASM	FOR JE			1
3	29183902	INSTRUCTION MANUAL	FOR JE	*		1
4	B115824500A	THREAD TAKE-UP LEVER COVER		*		1
5	SS7150740SP	SCREW 15/64-28 L=7	FOR JE	*		2
6	B9101552000	ACCESSORY BOX				1
7	22933105	SCREW DRIVER MIDDLE				1
8	22933204	SCREW DRIVER SMALL				1
9	22964001	BOBBIN A	FOR DSC-245V-4,-7			3
10	B91210120A0	OILER ASM.				1
11	22958300	NEEDLE THREAD GUIDE PIN				1
12	22932909	BOBBIN	FOR DSC-245V			3
13	22933303	VINYL COVER				1
14	J106600000F	HEXAGONAL WRENCH KEY				1
15	B9111245000	WRENCH				1
16	D7101245E00	SYNCHRONIZER HOLDER STUD	FOR DSC-245V-4,-7			1
17	D7102245E00	SYNCHRONIZER HOLDER PLATE	FOR DSC-245V-4,-7			1
18	SS7110710SP	SCREW 11/64-40 L=7	FOR DSC-245V-4,-7			1
19	NS6150430SP	NUT 15/64-28	FOR DSC-245V-4,-7			1
20	BT0630520Z0	HOLDER COVER	FOR DSC-245V-4,-7			1
21	B9130245000	BOLT				4
22	WP0751576SD	WASHER 7.5X19X1.5				4
23	NM6060001SD	NUT M6				4
24	B9110245000	RUBBER PACKING				2
25	D2402245E00	COUNTER KNIFE	FOR DSC-245V-4,-7			1
26	GES12153000	OIL WICK HOLDER	FOR DSC-245V-4,-7			1
27	MTSP00750B0	MOTOR PULLEY ASM. P.C.D 75	FOR DSC-245V-7			1
28	MTJVM00530A	V-BELT 53 INCH	FOR DSC-245V-7			1
29	10741759	GROUND WIRE ASM.	FOR DSC-245V-7,JUS,JE (FOR HEAD ONLY)			1
30	D1114245F00	PANEL THREAD GUIDE	FOR DSC-245V-7			1
31	SM4040601SC	SCREW M4X0.7 L=6	FOR DSC-245V-7			1
32	B8228125000	OIL RESERVOIR MAGNET				1
33	B820424500A	FRAME SUPPORT BAR				1
34	40026920	SYNCHRONIZER ASM	FOR DSC-245V-7			1
35	MDFRX1600C0	DEFRIX OIL NO.1(600CC)				1
36	10741759	GROUND WIRE ASM.	FOR DSC-245V-4			1
37	MAO11532000	CORD STAPLE	FOR DSC-245V-4			2
38	WP0430800SC	WASHER M4	FOR DSC-245V-7			1
39	WS0410002KN	SPRING WASHER	FOR DSC-245V-7			1

GAUGE COMPONENTS



GAUGE COMPONENTS

No.	Parts No.	Parts name	Remarks	Level	Cons	Qty
1	MAQ09209000	FEED DOG	FOR DSC-245V			1
2	MAQ09309000	FEED DOG	FOR DSC-245V			1
3	MAQ09409000	FEED DOG	FOR DSC-245V-4,-7			1
4	MAQ09509000	FEED (FOR BROAD TAPE)	FOR DSC-245V-4,-7			1
5	21305008	FEED DOG	FOR DSC-245V-4,-7			1
6	21305107	FEED DOG	FOR DSC-245V-4,-7			1
7	MAN10451B00	UNDER PRESSER FOOT	FOR DSC-245V-4,-7			1
8	MAQ092080A0	PRESSER FOOT ASM.				1
9	MAQ09207000	WALKING FOOT				1
10	MAQ09307000	WALKING FOOT				1

LIST FOR INFORMATION OF CHANGE (1)

As to the place changed, refer to the corresponding Rev.No.
 When previous parts(Obsoleted part)and new parts(Added parts)are
 not interchangeable with each other:
 In this case, even obsoleted parts(D.)can be ordered with the
 obsoleted part number, so select the parts with changed dates and
 place your orders.

変更箇所は、該当Rev.No.版をご参照ください。
 部品の互換性がない変更の場合は、削除された品番でも、ご注文できます。

29076601
 No.0746-04 Rev.No.

*A:Added parts追加部品/D:Obsoleted parts削除部品/E:Erratum訂正

* Rev. No.	Page 頁	Ref. No.	Parts No. 品番	* Rev. No.	Page 頁	Ref. No.	Parts No. 品番
D 03	2	33	SS-2090710-SP	A 04	2	33	SS-2090710-TP
D 03	2	34	SS-2090710-SP	A 04	2	34	SS-2090710-TP
D 03	2	35	SS-2090710-SP	A 04	2	35	SS-2090710-TP
D 03	2	40	SS-2090710-SP	A 04	2	40	SS-2090710-TP
D 03	2	60	100-04109	A 04	2	60	229-01805
D 03	2	62	CM-3002000-B2				
D 03	2	63	CM-3002001-A1	A 04	2	62	CM-3013000-01
D 03	2	64	CM-3002001-01				
D 03	4	11	B1211-226-000	A 04	4	11	401-44145
D 03	4	14	TA-0500000-R0				
D 03	4	29	SS-8150710-SP	A 04	4	29	SS-8150710-TP
D 03	6	15	MDP-170B1800	A 04	6	15	M1351-7B1-100
D 03	6	16	MC-3720011-00				
D 03	6	22	110-71701	A 04	6	22	229-07604
D 03	8	23	B1650-245-00A	A 04	8	23	401-43489
D 03	10	26	SS-7121410-SP	A 04	10	26	SS-7121410-TP
D 03	10	46	WZ-1052010-KP				
D 03	12	1	B1466-563-000	A 04	12	1	400-33030
D 03	12	8	103-14508	A 04	12	8	401-43782
D 03	12	15	B1454-245-000	A 04	12	15	401-43487
D 03	12	47	B1808-552-000	A 04	12	47	229-16506
D 03	12	50	B9117-012-000	A 04	12	50	229-32909
D 03	12	51	B9117-552-A00	A 04	12	51	229-64001
D 03	14	79	SS-6090510-SP	A 04	14	79	SS-6090510-TP
D 03	16	20	SS-2090710-SP	A 04	16	20	SS-2090710-TP
D 03	16	42	SS-7110570-SP	A 04	16	42	SS-7110510-SP
				A 04	16	43	WS-0310002-KR
D 03	18	11	103-21701	A 04	18	11	211-36908
D 03	18	36	B3524-245-000	A 04	18	36	D3916-481-C01
D 03	18	60	SS-7111120-SP	A 04	18	60	SS-7110710-SP
				A 04	19	15	229-32453
D 03	19	15	B3433-141-H0A	A 04	19	16	229-32404
D 03	19	21	SS-9182010-SN	A 04	19	17	229-34707
D 03	19	22	167-75850	A 04	19	22	B3426-245-0A0
D 03	19	23	B3431-552-000-A	A 04	19	28	229-34509
D 03	19	24	110-24403	A 04	19	24	229-34400

HOW TO MAKE USE OF THIS PARTS LIST

1.Explanation of codes

1)"*"mark.....means this part is changed from the previous parts book.

As to the details of the change, refer to the "List for information of change".

2)"#01".....refer to "Note" explanation at bottom of page.

2.Codes on the "Qty" column

- Each numeral indicates the number of parts required.
- "0.1" and "2.5" indicate the length (in meters) of the respective parts.

3.Parentheses mean that the corresponding part is a subpart that constructs an assembly part.

4.Dotted lines on the Figures indicate assembly parts.

1."注記"欄の記号説明

1) "*"印.....前回のパーツブックに比較して今回変更された部品を意味します。

変更内容は、"変更情報リスト"を参照してください。

2) "#01".....ページ下の"注記"の説明を参照してください。

2.数量欄の数字は、個数を表し、0.1、2.5等の数値は、長さ（単位メートル）を表します。

3.数量欄の（ ）は、組部品を構成している子部品であることを意味します。

4.イラストページの-----枠は、組構成であることを意味します。

NUMERICAL INDEX OF PARTS

PART NO	PAGE	REF NO.	PART NO	PAGE	REF NO.	PART NO	PAGE	REF NO.
10119105	16	13	22932404	36	16	B11582450AA	44	2
10119204	16	12	22932453	36	15	B1171245000	2	3
10119402	16	15	22932909	22	50	B1172245000	12	13·64
10119709	16	11	22932909	44	12	B1178245000	2	31
10119907	16	8	22933105	44	7·8	B11782450A0	2	30
10120004	16	9	22933204	44	7·8	B1179245000	2	32
10124204	28	26	22933303	44	13	B1180245000	4	50
10126324	32	20	22934202	36	25	B1181245000	4	52
10126803	32	38	22934301	36	26	B1182245000	4	51
10161305	16	14	22934400	36	24	B118324500A	4	48
10314003	20	4	22934509	36	28	B118324500B	4	49
10320059	28	22	22934707	36	17	B1202241H00	6	5
10320075	28	21	22958300	44	11	B1203051000	6	9
10320109	28	23	22964001	22	51	B1203241H00	6	6
10320208	28	29	22964001	44	9	B1204241H00	6	7
10320505	28	24	29183803	38	9	B1206245000	6	3
10320703	28	25	29183902	44	3	B1208019000	10	59
10321107	10	57	40026920	44	34	B1210051000	6	10
10741759	44	29·36	40033030	20	1	B1211141H00	6	8
11072204	28	35	40096354	40	1	B1212012000	6	12
11072402	28	38	40143487	20	15	B1213012000	6	13
11155108	42	3	40143489	12	23	B1213012000	20	12
11155207	42	4	40143782	20	8	B1214038000	32	30
11157567	42	7	40144145	6	11	B1301241H00	6	33
13160304	36	30	B1114280000	16	7	B1302241H00	6	34
13765607	34	54	B1116246000	2	11	B1303271000	6	35
21136908	32	11	B1117246000	2	14	B13050120A0	6	37
21209952	20	31	B1118241H0A	2	10	B13052710B0	6	36
21210059	20	32	B11212450AA	2	8	B13061550C0	6	38
21210901	20	33	B1128246000	2	13	B13071550A0	6	39
21212600	26	55~59	B1128522000	2	23	B13081550A0	6	40
21212709	26	55~59	B1129563000	2	26	B1410771000	8	8
21212808	26	55~59	B1130051000	2	15	B1414232000	8	7
21212907	26	55~59	B1130521000	2	18	B1414555000	20	19
21213004	26	55~59	B11305210A0	2	17	B1419245000	8	3
21305008	46	5	B1131521000	2	19	B1420563000	8	1
21305107	46	6	B1131562000	2	16	B1423245000	8	17
21305206	12	4	B1132521000	2	20	B1424158000	8	19
21308200	6	1·2	B1140051000	2	22	B1424158000	12	33
22860704	6	1·2	B1147141H00	12	16	B1428563000	8	9
22901805	4	60	B1148141H00	12	17	B1429241H00	8	14
22907109	8	44	B1150245000	34	58	B1430245000	8	18
22907604	8	22	B11502450AA	34	57	B1431241H00	8	4
22916506	20	47	B1156115000	2	24	B1434245000	8	5
22927354	38	16	B115824500A	44	4	B1437051000	32	10

NUMERICAL INDEX OF PARTS

PART NO	PAGE	REF NO.	PART NO	PAGE	REF NO.	PART NO	PAGE	REF NO.
B1455053000	20	3	B1654245000	12	8	B3415245000	36	2
B1460245000	8	42	B1655245000	12	10	B3416141H00A	36	3
B14602460A0	10	55	B1702012000	20	11	B3418245000	36	5
B1461245000	10	48	B1801245000	20	45	B3420245000	36	12
B1462053000	10	56	B1802245000	20	46	B34202450A0	36	11
B14670530A0	20	9	B1803245000	22	48	B3421245000	36	31
B1467563000	20	20	B18092450A0	22	52	B34212450A0	36	29
B1468053000	20	10	B18302450A0	22	49	B3422245000	36	13
B1501241H00	8	36	B18372450A0	22	57	B3423245000	36	14
B1509141H00	8	39	B1838245000	22	58	B3424141H00	36	22
B1510141H00	8	38	B183924500A	22	53	B3424245000	36	19
B1512141H00	8	40	B183924500B	22	54	B3425141H00	36	18
B1515051000	8	41	B183924500C	22	55	B3425245000A	36	20
B1601245000	12	7	B1850512000	32	25	B34262450A0	36	23
B1603245000	12	25	B1851512000	32	23	B3434141H00	36	21
B1605201000	6	14	B185351200AA	24	38~42	B3502115000	32	4
B1605245000	12	18	B185351200BA	24	38~42	B3505245000	34	59
B1614245000	12	19	B185351200CA	24	38~42	B3506245000	32	27
B1617241H00	12	29	B185351200D	24	38~42	B3508512000	32	12
B1618241H00	12	30	B185351200E	24	38~42	B3512246000	32	19
B1619241H00	12	20	B1905245000	8	31	B3517009000	2	25
B1620245000	12	21	B1906051000	8	32	B3520245000	34	52
B1621241H00	16	40	B2115271000	12	35	B3520586000	34	61
B1622241H00	12	22	B2733761000	16	10	B3523245000	32	17
B16232450A0	12	24	B3008141H00	20	5	B3525245000	32	14
B162458600A	16	42	B3031141H00	24	34	B35272450A0	32	15
B1627241H00	16	2	B3114761000	28	17	B3534012000	34	62
B16302450A0A	12	2	B3120125000	28	34	B3534155000	32	31
B1633245000	12	6	B3121245000	28	4	B3537201000	32	46
B1634245000	12	34	B31212450A0	28	1	B71140120A0	42	8
B1635245000	12	9	B3122053000	28	13	B820424500A	44	33
B163624500A	12	36	B3123051000	28	5	B8217241H00	32	6
B1637141H00	12	37	B3124051000	28	6	B8218241H00	32	5
B1637245000	12	11	B3125012000	28	2	B8228125000	44	32
B1638141H00	12	38	B3126051000	28	31	B910124500A	38	2
B1638245000	12	12	B3127051000	28	30	B91012450AA	38	1
B1639245000	12	32	B3128051000	28	27	B9101552000	44	6
B1640245000	12	14	B3129053000	28	33	B91022450AA	38	10
B1646241H00	16	47	B3132051000	28	32	B910424600A	38	11
B1646245000	12	28	B3134051000	28	11	B9106245000	38	12
B1647245000	12	31	B31370510A0	28	12	B9108245000	38	13
B1648122000	18	48	B31375270A0	28	28	B9110245000	44	24
B1651245000	12	46	B3138512000	28	44	B9111245000	44	15
B1652245000	14	48	B3214047000	28	36	B911224500A	38	5
B1653245000	14	49	B3414245000	36	4	B91122450AA	38	4

NUMERICAL INDEX OF PARTS

PART NO	PAGE	REF NO.	PART NO	PAGE	REF NO.	PART NO	PAGE	REF NO.
B911324500A	38	6	D1484241E00	20	29	D2427245E00	24	25
B91210120A0	44	10	D1485241E00	22	61	D2428141E00	26	46
B9130245000	44	21	D1486241E00	22	62	D2428245E00	24	26
BP300000000	16	38	D1606245E00	12	5	D2429245E00	24	27
BP600000000	32	9	D1621241E00	16	39	D2430245EA0	24	45
BT0400251EC	32	16	D1624241E0A	16	41	D2431245E00	24	43
BT0500300EA	32	53	D1630245EA0A	12	1	D2432245E00	24	37
BT0500300EA	34	53	D1680141EA0	16	6	D2432245E0A	26	61
BT0630520Z0	44	20	D1681241E0A	16	1	D2433245E00	26	81
CM300200002	4	61	D1684141E00A	16	16	D2434245E00	26	75
CM301300001	4	62	D1685141E00	16	19	D2435245E00	26	64
CM500300001	38	3	D1686241E00	16	18	D2436141E00	24	44
CQ202000000	8	34	D1687141E00	16	20	D2436245E00	26	85
CQ202000000	32	44	D1907241E00	8	33	D2441141E00	26	83
CQ252000000	6	22	D2120555C00	26	47	D2464555B00	16	17
CQ252000000	8	16	D2401245E00	24	1	D3168555H0B	28	37
CQ303000000	6	19	D2402245E00	24	2	D3410241E00	36	1
CQ303000000	20	28	D2402245E00	44	25	D3501241E00	32	3
CQ505000000	6	18	D2403245E00	24	3	D3501245E00	32	33
CS1271012SH	6	16	D2404245E00	24	4	D3502241E0A	32	1
CS127101ASH	6	15	D2405245E00	22	59	D3502245E00	32	29
D1114245F00	44	30	D2405245E00	24	5	D3503241E00	32	2
D1158241E0A	2	7	D2406245E0A	24	6	D3504241E00	32	13
D1171245E00	2	4	D2408245E00	24	8	D3505241E00	8	47
D1172245E00	14	13-64	D2409245E00	24	9	D3513245EA0	32	35
D1201241E00	6	4	D2410245E00	24	10	D3916481C01	32	36
D1401245E00	8	10	D2411245E00	24	11	D6037245GA0	24	21
D1408241E00	8	11	D2412245E00	24	12	D7101245E00	44	16
D1411241E00	8	13	D2413245E00	24	13	D7102245E00	44	17
D1412241E00	8	12	D2414141E00	2	12	D8201245G00	42	2
D1450055B00	20	13	D2414245E00	24	14-20	D8201245GA0	42	1
D1453241E00	20	14	D2414245E0A	24	14-20	D8204555D00	42	5
D1455055B00	20	16	D2415245E00	24	29	EA9500B0100	32	47
D1456055B00	20	17	D2415245EA0	24	28	GES12153000	24	36
D1458241E00	20	6	D2416245E00	24	15	GES12153000	44	26
D1459241E00	20	7	D2417245E00	24	33	GES12155000	16	21
D1462241E00	8	43	D2417245EA0	24	32	HK034610140	26	53
D1463241E00	8	46	D2418245E00	24	16	HK03464000B	26	60
D1464241E0A	8	45	D2419245E00	24	17	J106600000F	44	14
D1480241E0A	20	24	D2420245E00	24	18	M13517B1100	8	15
D1480241EAA	20	21	D2421245E00	24	19	M13517B1102	44	1
D1481241E00	20	23	D2423245E00	24	35	MAN10451000	12	3
D1482241E0A	20	26	D2424245E00	24	22	MAN10451B00	46	7
D1482241EAA	20	25	D2425245E00	24	23	MAN10452000	20	2
D1483241E00	20	27	D2426245E00	24	24	MAO11532000	44	37

NUMERICAL INDEX OF PARTS

PART NO	PAGE	REF NO.	PART NO	PAGE	REF NO.	PART NO	PAGE	REF NO.
MAQ09201000	2	1	RO061180100	4	55	SS6121050SP	14	53
MAQ09202000	2	5	RO074240100	12	41	SS6121210SP	16	3
MAQ09203000	14	61	SD0380551SL	2	21	SS6151220SP	14	55
MAQ09204000	4	56	SD0470281SP	28	39	SS6151220SP	20	30
MAQ09205000	4	57	SD0640231SP	12	40	SS7060310SP	26	77
MAQ09206000	4	58	SD0640321SP	26	82	SS7060610SP	4	53
MAQ09207000	46	9	SD0720331SP	16	23	SS7080510TP	8	24
MAQ092080A0	46	8	SD0790351SP	36	7	SS7080510TP	34	55
MAQ09209000	46	1	SD0790361SP	36	6	SS7080520SP	14	60
MAQ09210000	12	26	SD0800352SP	2	29	SS7090520SP	28	45
MAQ09211000	12	27	SD0800481SP	10	49	SS7090710SP	16	46
MAQ09307000	46	10	SK1483201SE	36	32	SS7090910SP	8	25
MAQ093080A0	8	37	SK3311600SE	42	6	SS7090910SP	32	24
MAQ09309000	46	2	SK3482500SC	38	17	SS7091410SP	26	72
MAQ09401000	2	2	SK3513200SC	42	9	SS7110510SP	4	59
MAQ09402000	2	6	SM4040601SC	44	31	SS7110510SP	20	39
MAQ09409000	46	3	SM6031202TP	6	41	SS7110510SP	28	42
MAQ09411000	14	63	SM6081552TP	2	47	SS7110540SP	26	68
MAQ09509000	46	4	SM8040602TP	32	34	SS7110710SP	2	41
MAT81126T00	16	5	SM9061203SE	36	27	SS7110710SP	16	30
MDFRX1600C0	44	35	SQ1110401MZ	32	63	SS7110710SP	20	43
MTJVM00530A	44	28	SQ1110401MZ	34	63	SS7110710SP	26	84
MTSP00750B0	44	27	SQ1150451MZ	32	21	SS7110710SP	28	46
NM6060001SD	44	23	SS2090710TP	2	40	SS7110710SP	32	64
NS6060350SP	28	18	SS2090710TP	28	20	SS7110710SP	34	64
NS6090310SP	32	26	SS2090810SP	14	59	SS7110710SP	44	18
NS6110310SP	28	40	SS2110930SP	2	37	SS7110730SP	36	10
NS6110350SP	30	48	SS2110930SP	32	22	SS7110910SP	12	15
NS6110530SP	20	34	SS3090520SP	2	38	SS7110910SP	26	70
NS6150430SP	16	22	SS3090610SP	2	36	SS7110910TP	8	28
NS6150430SP	44	19	SS3090710TP	28	41	SS7110910TP	20	40
NS6620310SP	36	8	SS4080610SP	28	16	SS7111120SP	20	41
NS6660430SP	20	35	SS5060310SP	26	80	SS7111310SP	10	53
NS6680320SP	12	43	SS5110710SP	14	52	SS7111310SP	32	18
NS6680410SP	12	44	SS6060210SP	12	47	SS7111410TP	26	71
PS0200122K0	28	14	SS6081210SP	12	45	SS7111810SP	34	56
PS0400182K0	12	39	SS6090510TP	26	79	SS7121410TP	16	26
PS060024100	36	33	SS6090610SP	14	62	SS7150740SP	10	50
PS0600502KP	10	58	SS6090810SP	26	74	SS7150740SP	44	5
PS0600602KP	2	9	SS6090910SP	10	54	SS7150940SP	2	42
PT0301600S0	8	20	SS6092120SP	2	27	SS7151210SP	8	23
RE0400000K0	16	36	SS6110480SP	38	14	SS7151210SP	14	54
RE0600000K0	16	37	SS6110710TP	20	36	SS7151210SP	16	28
RE0700000K0	8	27	SS6111140SP	28	47	SS7151330SP	14	56
RE0700000K0	12	42	SS6111140SP	38	15	SS7620750SP	16	43

NUMERICAL INDEX OF PARTS

PART NO	PAGE	REF NO.	PART NO	PAGE	REF NO.
SS7621040SP	10	52	WP0501016SD	26	50
SS7680870SP	4	54	WP0621016SD	16	33
SS7681750TP	6	24	WP0621016SD	36	9
SS8090410SP	26	76	WP0751576SD	44	22
SS8110410TP	14	57	WS0310002KR	28	43
SS8110510SP	2	43	WS0410002KN	26	48
SS8150710SP	6	31	WS0410002KN	44	39
SS8150710SP	16	4	WS0631510KP	16	34
SS8150710SP	34	50	WT0530002KS	26	51
SS8150710TP	6	29			
SS8150710TP	8	29			
SS8150710TP	14	50			
SS8150830SP	8	30			
SS8150830SP	14	51			
SS8151150SP	8	35			
SS8151230SP	26	67			
SS8151550SP	6	42			
SS8151550SP	22	56			
SS8151780SP	6	27			
SS8660530TP	22	60			
SS8660530TP	26	62			
SS8660610TP	6	17			
SS8660610TP	20	38			
SS8660612TP	26	73			
SS8660810TP	16	45			
SS8661040TP	16	44			
SS8680540SP	6	32			
SS8680730SP	6	43			
SS8681650TP	6	25			
SS8701042TP	14	58			
SS9111010SP	16	27			
SS9111010SP	32	28			
SS9161610SP	20	37			
TA0500601M0	6	23			
TA0550604R0	2	46			
TA1120804R0	2	45			
TA1250406R0	2	28			
TA2100904R0	2	44			
WP0371026SD	24	52			
WP0371026SD	26	52			
WP0430800SC	44	38			
WP0450000SD	20	44			
WP0482086SD	20	18			
WP0501016SC	38	18			
WP0501016SD	16	35			