

MODEL : ACF-164-1851

List No : 0633-05

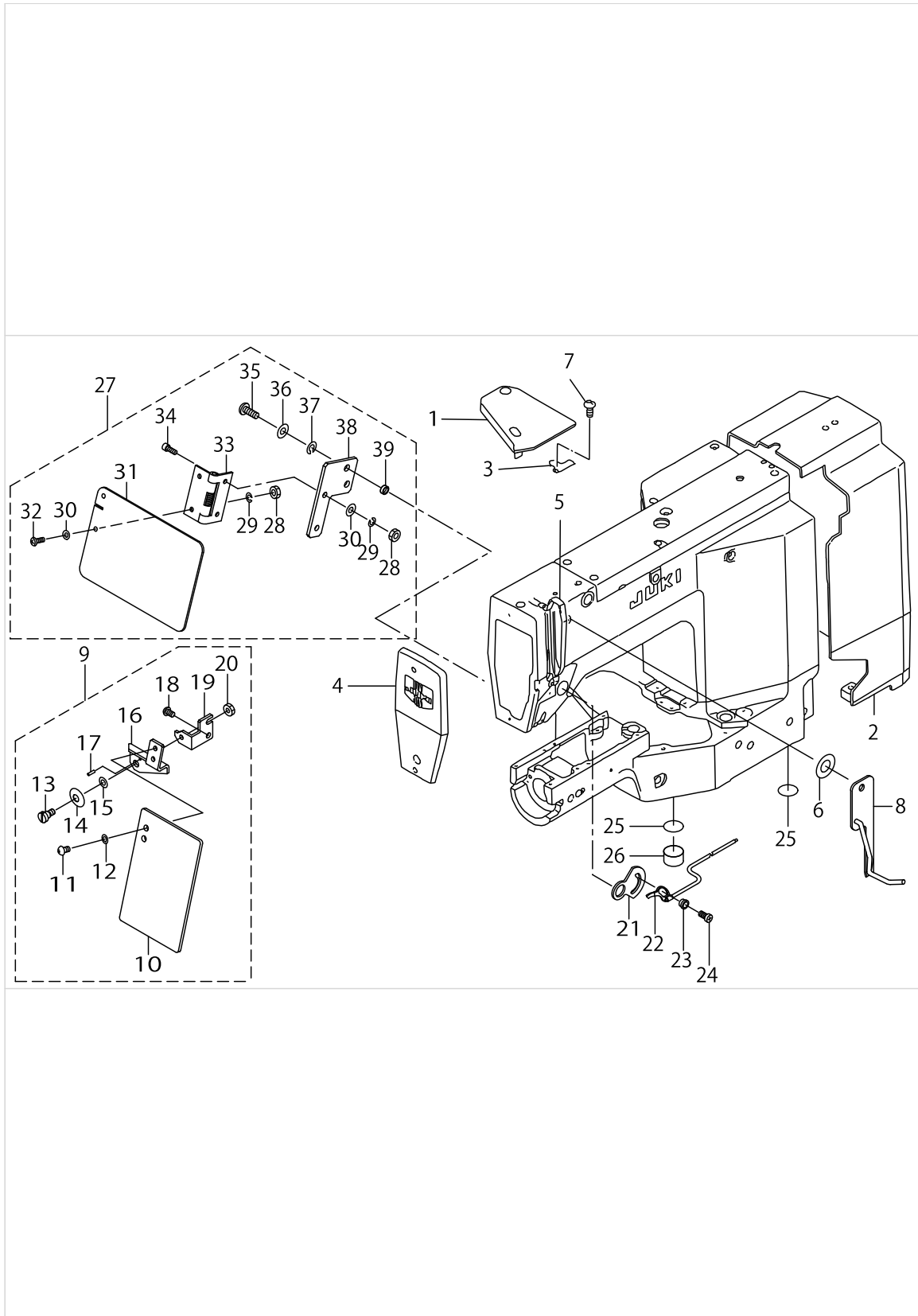
PARTS LIST

Published:09/10/2017

CONTENTS

FRAME & MICELLANEOUS COVER COMPONENTS (1).....	1
FRAME & MICELLANEOUS COVER COMPONENTS (2).....	5
FRAME & MICELLANEOUS COVER COMPONENTS (3).....	7
NEEDLE BAR COMPONENTS.....	9
THREAD TENSION RELEASE COMPONENTS.....	11
THREAD TENSION COMPONENTS.....	13
MAIN SHAFT & SHUTTLE DRIVER SHAFT COMPONENTS.....	15
KNOTTING COMPONENTS.....	17
FEED MECHANISM COMPONENTS.....	19
STOP-MOTION MECHANISM COMPONENTS.....	23
BUTTON SENSOR COMPONENTS.....	25
BUTTON CLAMP COMPONENTS (Z168 ATTACHMENT FOR MEDIUM-SIZED BUTTONS).....	27
LUBRICATION MECHANISM COMPONENTS.....	29
LK-1851 SERIES SUBCLASSES.....	31
BUTTON CLAMP COMPONENTS (Z167 ATTACHMENT FOR SMALL BUTTONS).....	33
FINE POSITION OF BUTTONS COMPONENTS (1).....	37
FINE POSITION OF BUTTONS COMPONENTS (2).....	41
CAM COMPONENTS.....	45
INDEX COMPONENTS (1).....	47
INDEX COMPONENTS (2).....	51
FEEDER BOWL COMPONENTS.....	55
ACCESSORIES COMPONENTS.....	57
FRAME COMPONENTS.....	59
COVER COMPONENTS.....	61
COVER & KNEE SWITCH COMPONENTS.....	63
SOLENOID VALVE & REGULATOR COMPONENTS.....	65
FEED MECHANISM COMPONENTS.....	67
FEED MECHANISM DRIVE & SWITCH COMPONENTS.....	71
CLAMP ARM COMPONENTS.....	75
SET PLATE COMPONENTS.....	77
FRAME & MICELLANEOUS COVER COMPONENTS (1).....	81
MACHINE TABLE COMPONENTS.....	85
CONTROL BOX COMPONENTS.....	89
PANEL CIRCUIT BOARD COMPONENTS.....	93
ASSISTANT CLAMP , LIGHT MATERIAL CLAMP & LEAD CLAMP COMPONENTS (OPTIONAL)....	95
BR-CONTROL BOX COMPONENTS.....	97
CPU CIRCUIT BOARD COMPONENTS.....	99
I/O CIRCUIT BOARD COMPONENTS.....	101
PANEL BOX COMPONENTS.....	103
STACKER CYLINDER COMPONENTS.....	105
ASSISTANT FEED PLATE COMPONENTS.....	107
NO.2 PRESSER COMPONENTS.....	109
THREAD STAND COMPONENTS.....	111
LIST FOR INFORMATION OF CHANGE (1).....	113
LIST FOR INFORMATION OF CHANGE (2).....	114
HOW TO MAKE USE OF THIS PARTS LIST.....	115

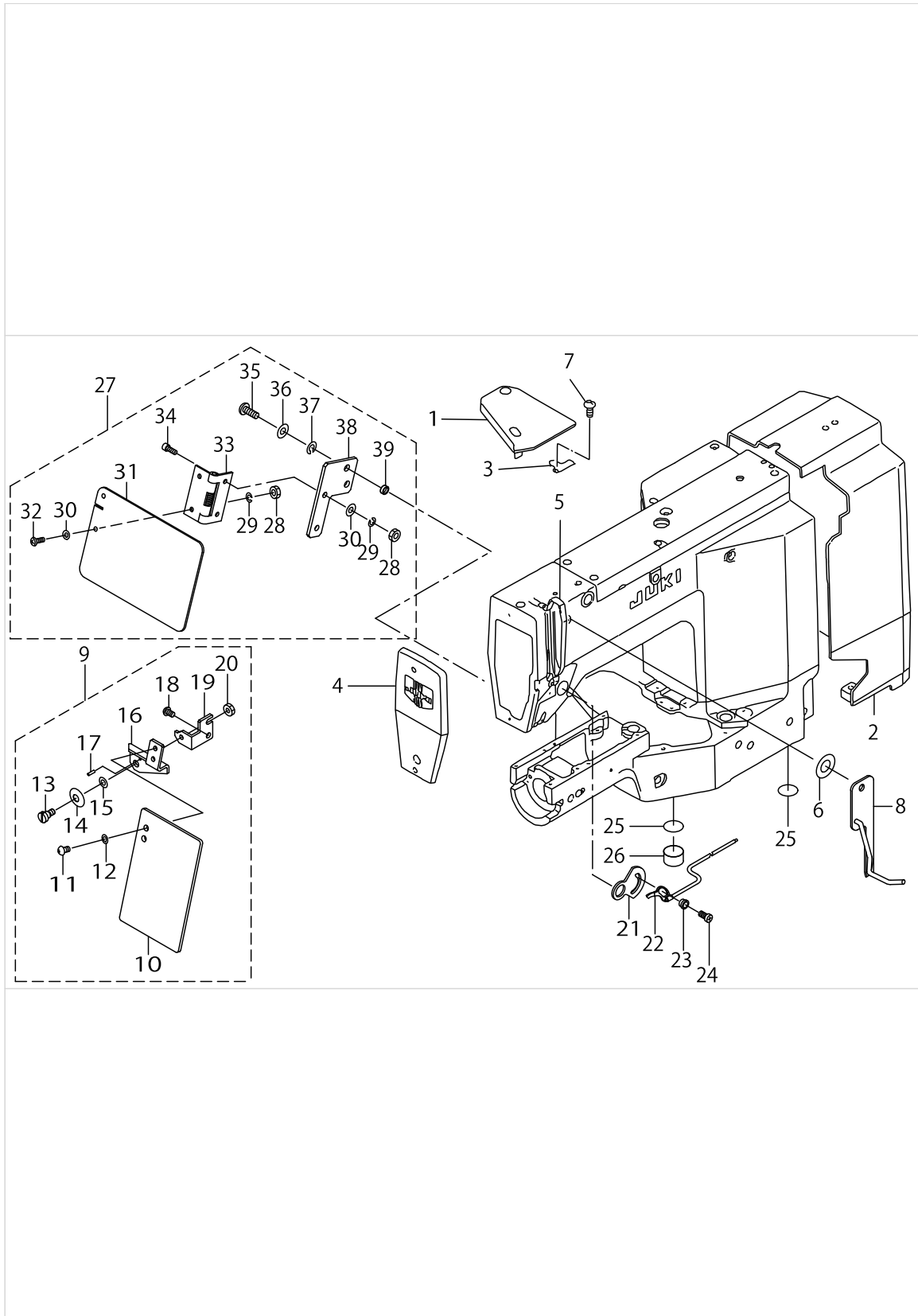
FRAME & MICELLANEOUS COVER COMPONENTS (1)



FRAME & MICELLANEOUS COVER COMPONENTS (1)

No.	Parts No.	Parts name	Remarks	Level	Cons	Qty
2	SM6061202TP	SCREW M6 L=12				4
3	WS0610002KN	SPRING WASHER 6.1X12.2X1.5				4
4	WP0641601SC	WASHER				4
5	G5210164000	SUPPORT PLATE				2
6	SM6030602TP	SCREW M3X0.5 L=6				4
7	WS0310002KN	SPRING WASHER M3				4
8	WP0320501SC	WASHER M3				4
9	G5220164000	KNOB				2
10	G5202164000	PILLOW INSTALLING PLATE				1
11	SM6061202TP	SCREW M6 L=12				4
12	WS0610002KN	SPRING WASHER 6.1X12.2X1.5				4
13	WP0641601SC	WASHER				4
14	G5219164000	SWITCH INSTALLING PLATE				2
15	SM6082002TN	SCREW M8 L=20				4
16	WS0820002KN	SPRING WASHER M8				4
17	WP0841601SC	WASHER 8.4X17.4X1.6				8
18	NM6080001SC	NUT M8X1.25				4
19	G5203164000	CYLINDER HOLDER BASE				1
20	SM6061202TP	SCREW M6 L=12				4
21	WS0610002KN	SPRING WASHER 6.1X12.2X1.5				4
22	WP0641601SC	WASHER				4
23	G5217164000	CYLINDER MOUNT PLATE				2
24	SM6061602TP	SCREW M6 L=16				4
25	WS0610002KN	SPRING WASHER 6.1X12.2X1.5				4
26	WP0641601SC	WASHER				4
27	SM8040402TP	SCREW M4X0.7 L=4				2
28	G5209164000	ADJUSTING PLATE				2
29	G5211164000	SUPPORT				1
30	SM6041202TP	SCREW M4X0.7 L=12				4
31	WS0410002KN	SPRING WASHER				4
32	WP0430801SC	WASHER 4.3X9X0.8				4
33	G5212164000	FULCRUM PLATE				1
34	G5234164000	PIN SUPPORT				1
35	SM6040802TP	SCREW M4X0.7 L=8				2
36	WS0410002KN	SPRING WASHER				2
37	WP0430801SC	WASHER 4.3X9X0.8				2
38	B8170220000	BED FIXED SCREW				1
39	WS0820002KN	SPRING WASHER M8				1
40	WP0841601SC	WASHER 8.4X17.4X1.6				1
41	NM6080001SC	NUT M8X1.25				1
42	G5213164000	CLOTH STACKER				1
43	13518105	LIFTING LEVER SHAFT				1
44	RE0700000K0	E-RING 7				2
45	G5022164000	CUSHION				1
46	G5214164000	SPRING				1
47	G5215164000	FIXED PLATE				1
48	SM6030602TP	SCREW M3X0.5 L=6				2

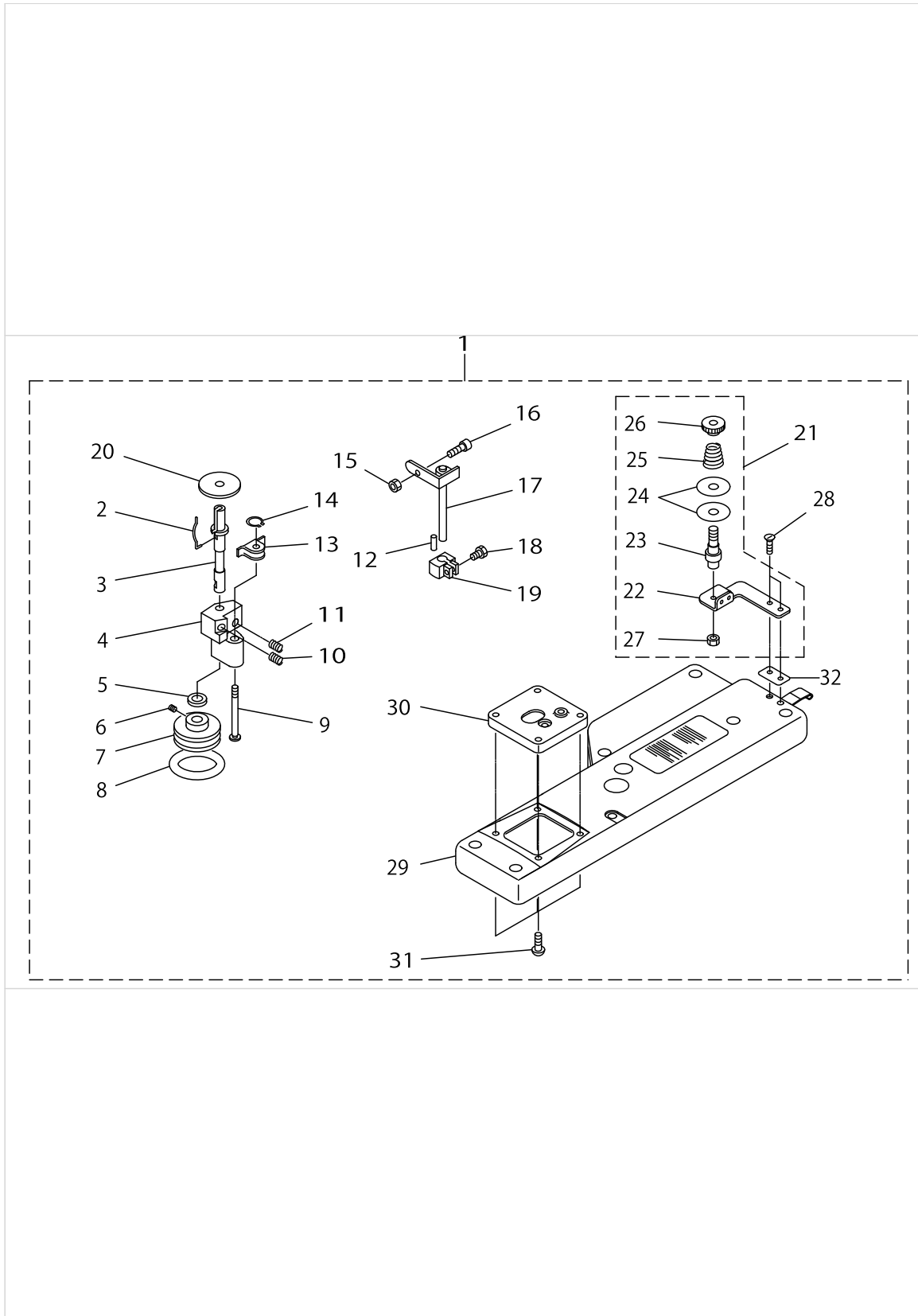
FRAME & MICELLANEOUS COVER COMPONENTS (1)



FRAME & MICELLANEOUS COVER COMPONENTS (1)

No.	Parts No.	Parts name	Remarks	Level	Cons	Qty
49	WS0310002KN	SPRING WASHER M3				2
50	WP0320501SC	WASHER M3				2
51	G5235164000	SLIDER				2
52	SM6030802TP	SCREW M3X0.5 L=8				6
53	WS0310002KN	SPRING WASHER M3				6
54	WP0320501SC	WASHER M3				6
55	CM3002000B1	LABEL(16)	FOR JAPAN			1
56	CM300200003	ATTENTION LABEL	FOR JE			1

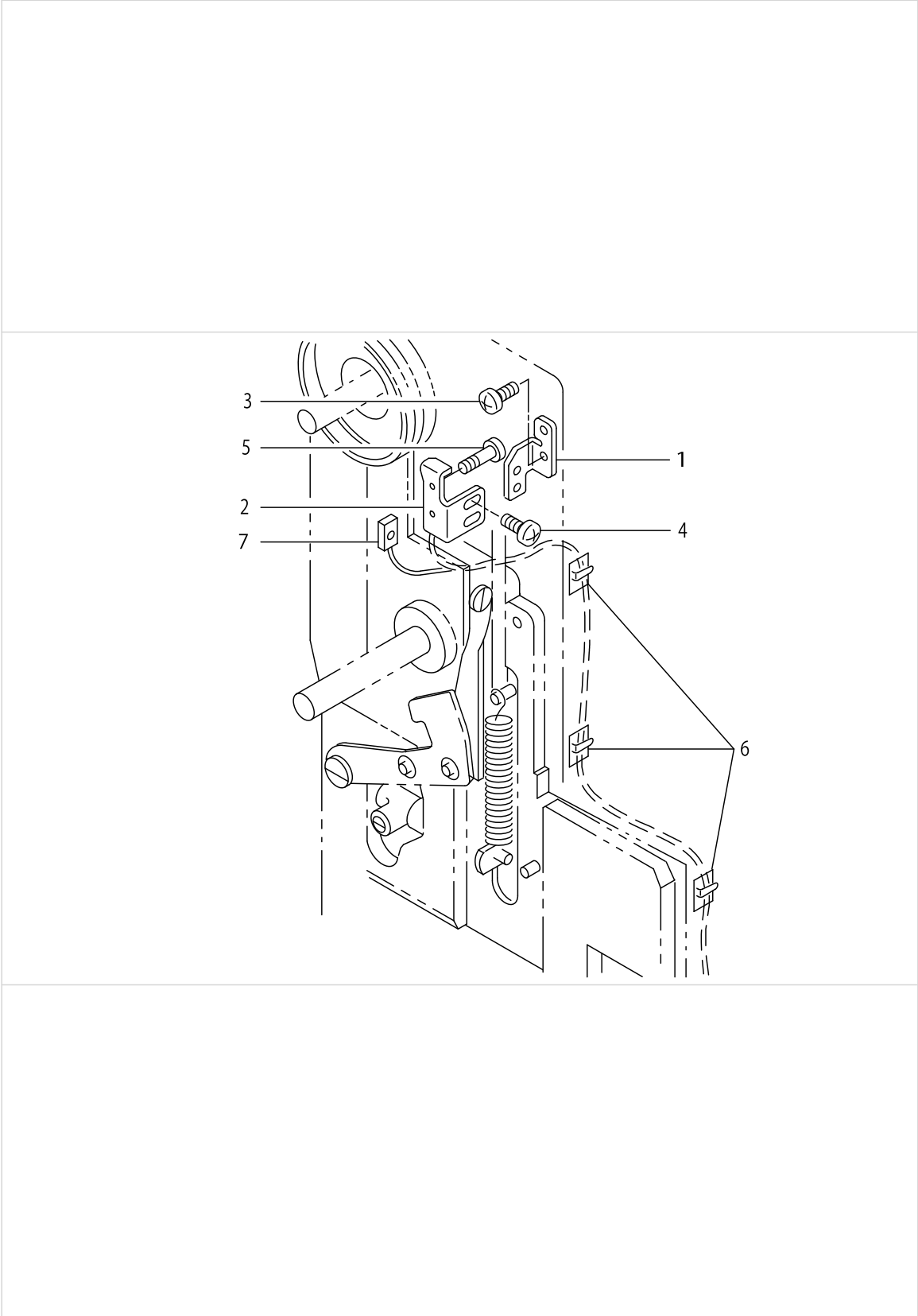
FRAME & MICELLANEOUS COVER COMPONENTS (2)



FRAME & MICELLANEOUS COVER COMPONENTS (2)

No.	Parts No.	Parts name	Remarks	Level	Cons	Qty
1	MAZ165230A0	ARM COVER ASM.				1
2	B3212761000	LATCH SPRING		*		1
3	B3204210000	SPINDLE		*		1
4	B3210210000	BOBBIN WINDER BASE		*		1
5	WP0651056SH	WASHER 6.5X11X1		*		1
6	SS8110520TP	SCREW 11/64-40 L= 4.5		*		2
7	B3211210000	BOBBIN WINDER WHEEL		*		1
8	B3212210000	FRICITION WHEEL		*		1
9	B3206210000	SCREW STUD		*		1
10	B3209210000	SPRING B		*		1
11	B3208210000	SPRING A		*		1
12	PS0150065KP	SPRING PIN 1.5X6		*		1
13	B3207210000	TRIP LATCH		*		1
14	D2430555B00	SNAP RING		*		1
15	NS6110530SP	NUT 11/64-40		*		1
16	B3208280000	BOBBIN WINDER ADJUSTING SCREW		*		1
17	B32012100A0	STOP LATCH ASM.		*		1
18	SS9111020TP	SCREW 11/64-40 L=10		*		1
19	B3203210000	CAM		*		1
20	B3205210000	CUSHION		*		1
21	MAZ165250A0	THREAD GUIDE BASE ASM.		*		1
22	MAZ16525000	BOBBIN WINDER TENSION BRACKET		*		1
23	B3219232000	BOBBIN WINDER TENSION POST		*		1
24	B3214047000	BOBBIN WINDER TENSION DISC		*		2
25	B3218232000	BOBBIN WINDER TENSION SPRING		*		1
26	B3216047000	BOBBIN WINDER TENSION NUT		*		1
27	NS6110310SP	NUT 11/64-40		*		1
28	SS4091015SP	SCREW 9/64-40 L=10		*		2
29	MAZ16523000	ARM COVER		*		1
30	MAZ16524000	BOBBIN WINDER BASE		*		1
31	SS7110710SP	SCREW 11/64-40 L=7		*		4
32	MAZ16538000	BRACKET SPACER		*		1

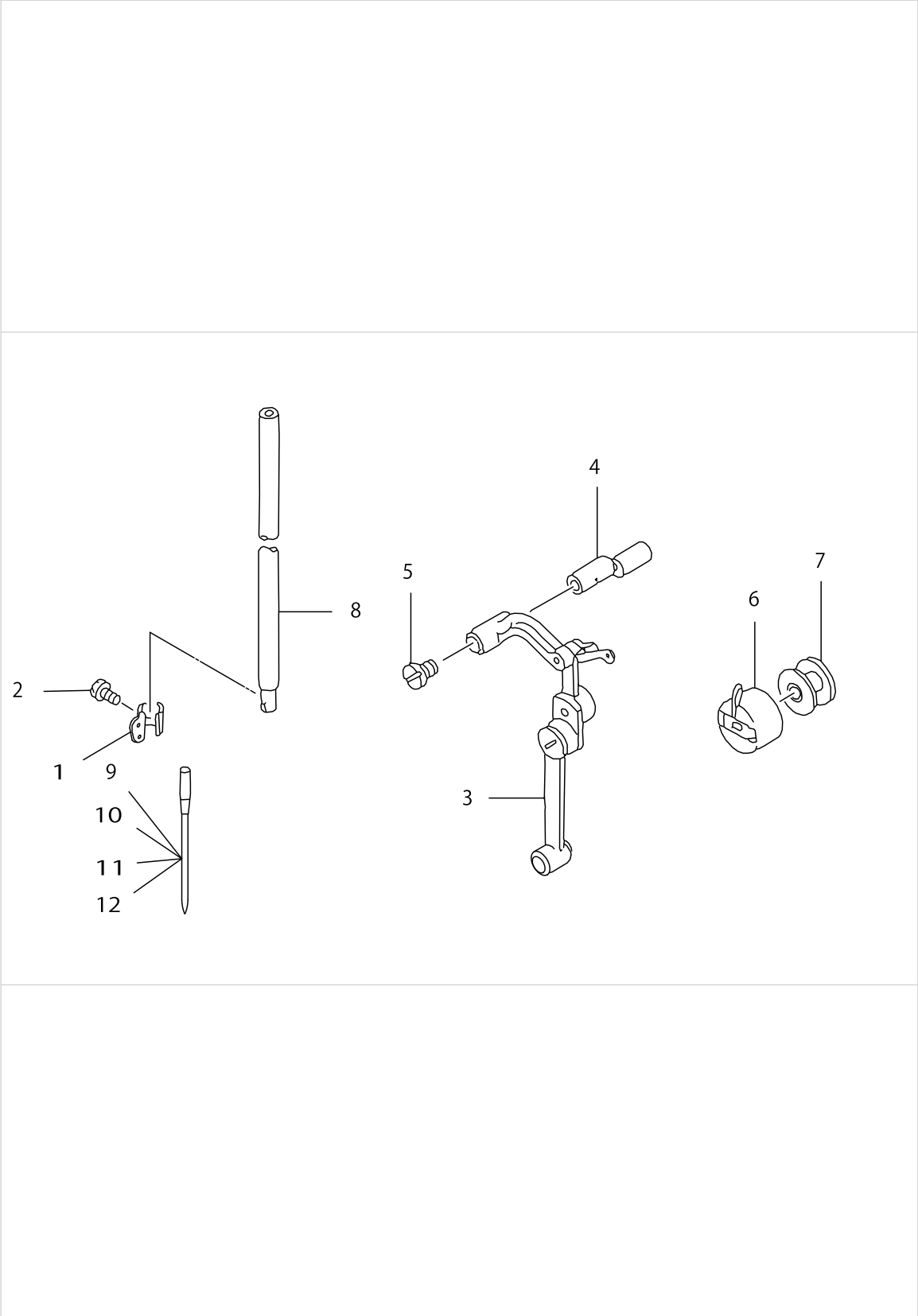
FRAME & MICELLANEOUS COVER COMPONENTS (3)



FRAME & MICELLANEOUS COVER COMPONENTS (3)

No.	Parts No.	Parts name	Remarks	Level	Cons	Qty
1	MAZ16534000	SENSOR MOUNT BASE				1
2	MAZ16533000	SENSOR MOUNT PLATE				1
3	SS7110840SP	SCREW 11/64-40 L=7.8				1
4	SS7110510SP	SCREW 11/64-40 L=5				2
5	SM1030801SC	SCREW M3 L=8				1
6	HX003330000	CORD CLAMP				3
7	MAZ167810A0	SWITCH ASM.				1

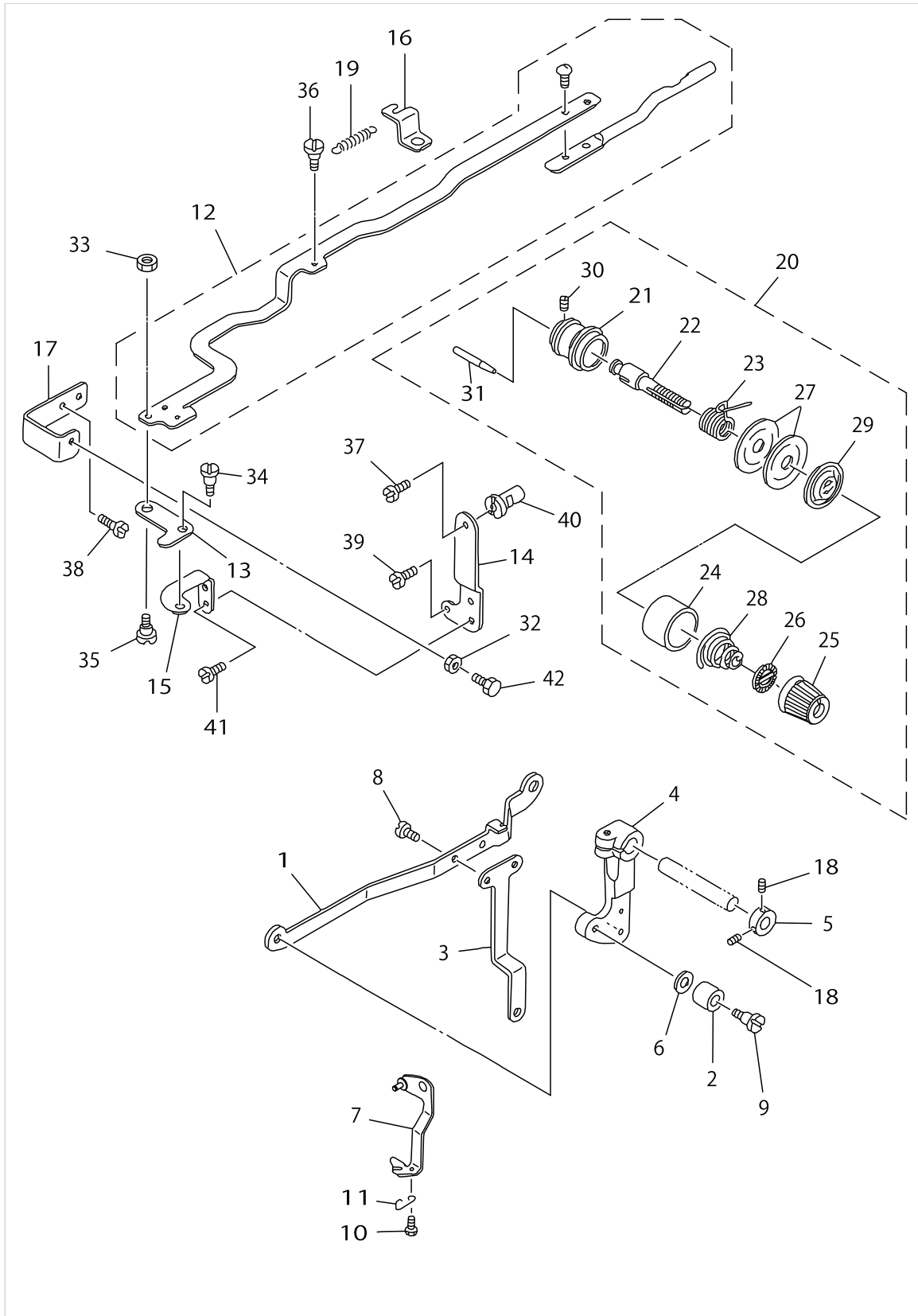
NEEDLE BAR COMPONENTS



NEEDLE BAR COMPONENTS

No.	Parts No.	Parts name	Remarks	Level	Cons	Qty
1	D1405M7WF00	NEEDLE BAR THREAD GUIDE				1
2	SS7080510TP	SCREW 1/8-44 L=4.5				1
3	D1901L7VVB0	THREAD TAKE-UP LEVER ASM.				1
4	D1904L7VV00	LINK TAKE-UP LEVER PIN, HEAVY				1
5	D1906L7VV00	SET SCREW				1
6	13812102	BOBBIN				1
7	B18289800BB	BOBBIN CASE ASM. (RACING PREVE				1
8	D1401L7VV00	NEEDLE BAR				1
9	MDP170B1400	NEEDLE DPX17 #14				1
10	MDP170B1600	NEEDLE DPX17 #16	SELECTIVE PARTS			1
11	MC372000900	NEEDLE 135X17 #90	SELECTIVE PARTS			1
12	MC372001000	NEEDLE SY3355 100	SELECTIVE PARTS			1

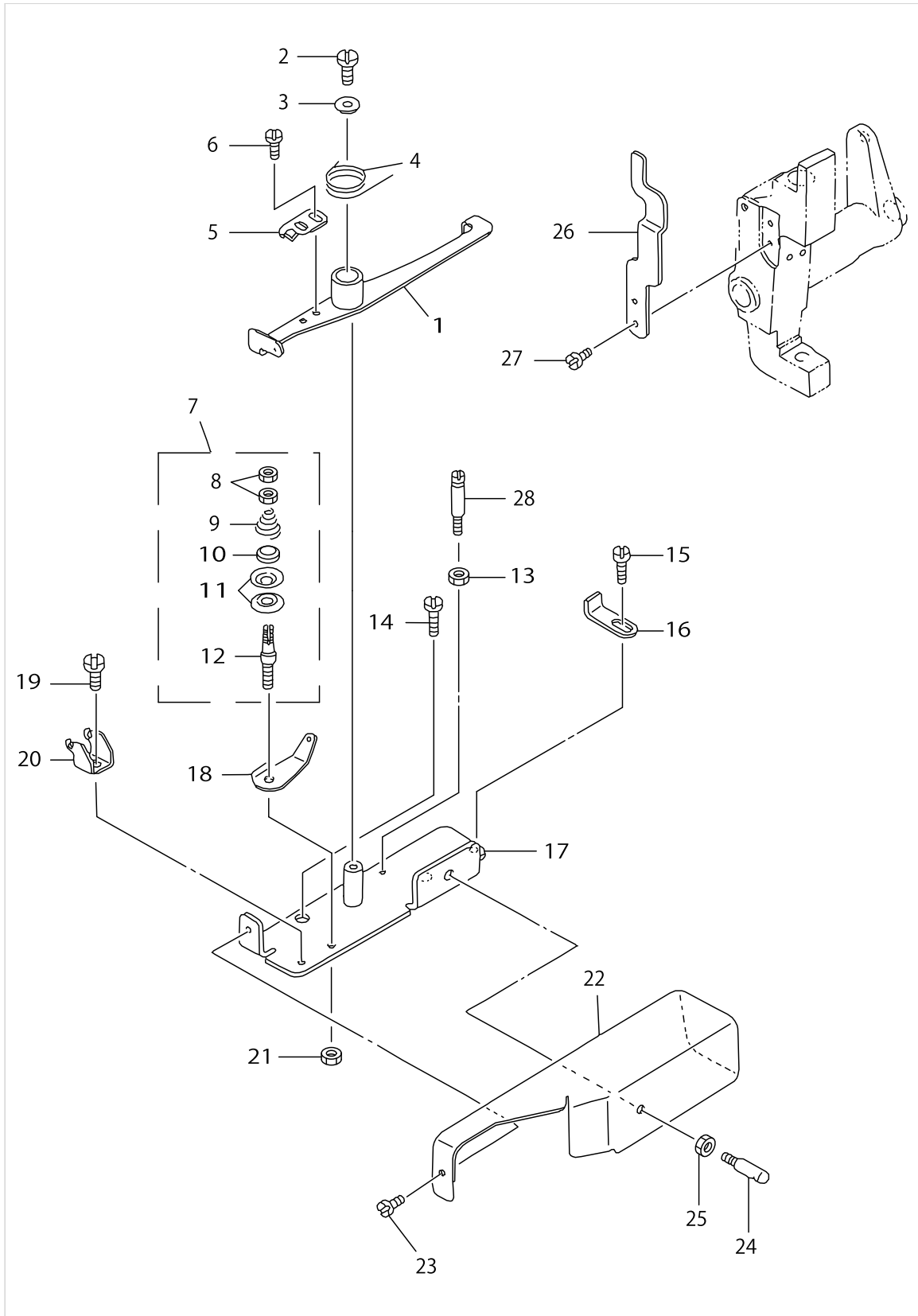
THREAD TENSION RELEASE COMPONENTS



THREAD TENSION RELEASE COMPONENTS

No.	Parts No.	Parts name	Remarks	Level	Cons	Qty
1	13805601	CONNECTING SHAFT				1
2	13805700	CAM ROLL				1
3	13805809	MOVING PLATE				1
4	13541305	CONNECTING ARM				1
5	CS1001011SH	THRUST COLLAR				1
6	WP0621026SP	WASHER 6.2X9.5X1				1
7	MAZ165390A0	WIPER ASM.				1
8	SS7110510SP	SCREW 11/64-40 L=5				2
9	SD0791271SP	HINGE SCREW D= 7.94 H=12.7				1
10	13806005	SPRING				1
11	SS5060310SP	SCREW 3/32-56 L=2.8				1
12	13807052	CONNECTING SHAFT ASM.				1
13	13807102	MOVING LINK				1
14	13807201	MOUNTING PLATE				1
15	13807300	MOUNTING BASE				1
16	13807409	SPRING HOOK				1
17	13807508	MOVING PLATE				1
18	SS8660610TP	SCREW 1/4-40 L=6				2
19	10519205	SPRING				1
20	MAZ167310A0	THREAD TENSION NO.2 COMPL.				1
21	B2313280000	THREAD TENSION ROD, LARGE		*		1
22	B2303220000	TENSION RELEASE ARM BOSS		*		1
23	B3112761000	THREAD TAKE-UP SPRING		*		1
24	B3107804000	THREAD TENSION DISK PRESSER		*		1
25	13817408	THREAD TENSION NUT		*		1
26	B3120125000	ROTATING STOPPER		*		1
27	B3126012000	THREAD TENSION DISK		*		2
28	B3114232000	THREAD TENSION SPRING		*		1
29	B3132552000	THREAD TENSION DISK PRESSER		*		1
30	SS8090610SP	SCREW 9/64-40 L=5.9		*		1
31	G2303270000	THREAD RELEASE PIN		*		1
32	NS6110350SP	NUT 11/64-40				1
33	NS6110430SP	NUT 11/64-40				1
34	SD0640321SP	HINGE SCREW D= 6.35 H= 3.2				1
35	SD0640326TP	HINGE SCREW				1
36	SD0640602SP	HINGE SCREW D= 6.35 H= 6.0				1
37	SS4120915SP	SCREW 3/16-28 L=9				1
38	SS4120915SP	SCREW 3/16-28 L=9				2
39	SS6121050SP	SCREW 3/16-28 L= 9.5				1
40	13807904	THREAD TRIMMER ARM SHAFT				1
41	SS7110410SP	SCREW 11/64-40 L=4				2
42	SS9111013SP	SCREW 11/64-40 L=9.5				1

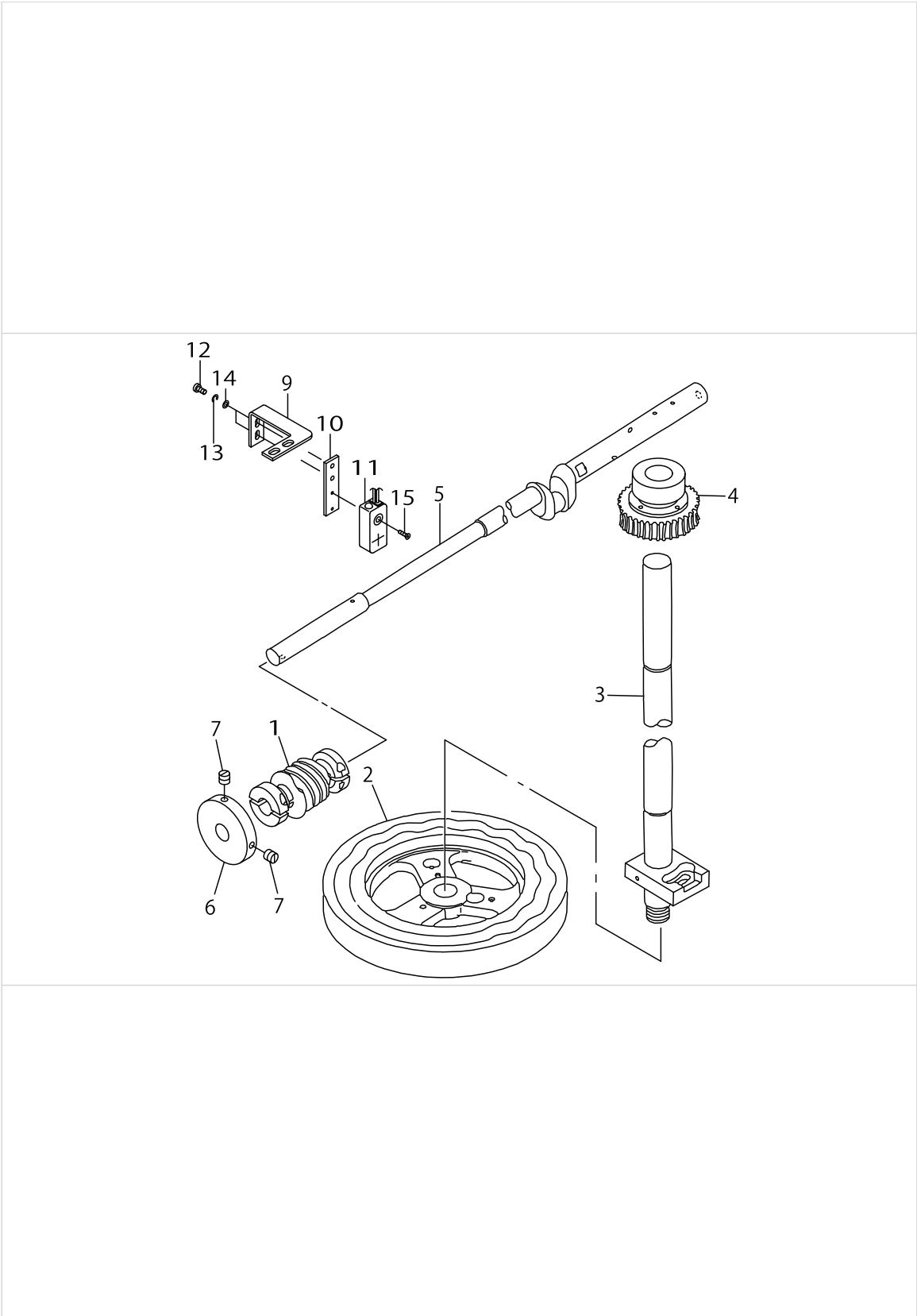
THREAD TENSION COMPONENTS



THREAD TENSION COMPONENTS

No.	Parts No.	Parts name	Remarks	Level	Cons	Qty
1	13808159	THREAD TENSION LEVER ASM.				1
2	SS7110840SP	SCREW 11/64-40 L=7.8				1
3	WP0551626SD	WASHER 5.5X22.0X1.6				1
4	13809009	SPRING				1
5	SS7110510SP	SCREW 11/64-40 L=5				1
6	13809157	THREAD TENSION ASM.				2
7	B3218232000	BOBBIN WINDER TENSION SPRING				1
8	NS6110310SP	NUT 11/64-40		*		2
9	B3218232000	BOBBIN WINDER TENSION SPRING		*		1
10	B3214047000	BOBBIN WINDER TENSION DISC		*		2
11	B2351180000	STUD		*		1
12	13737507	SUSPENSION SCREW B		*		1
13	NS6120310SP	NUT 3/16-28				1
14	SS7150740SP	SCREW 15/64-28 L=7				2
15	SS6110610TP	SCREW 11/64-40 L=6				1
16	13808506	THREAD TENSION STOPPER				1
17	13808852	THREAD TENSION BASE ASM.				1
18	D3162555B00	THREAD GUIDE				1
19	SS6110610TP	SCREW 11/64-40 L=6				1
20	13808407	THREAD TENSION GUIDE				1
21	NS6110350SP	NUT 11/64-40				1
22	13808902	THREAD TENSION COVER				1
23	SS6110610TP	SCREW 11/64-40 L=6				1
24	B1123280000	FIRST THREAD GUIDE				1
25	NS6150310SP	NUT 15/64-28				1
26	13808308	THREAD TENSION ARM				1
27	SS6120620TP	SCREW				2
28	13737507	SUSPENSION SCREW B				1

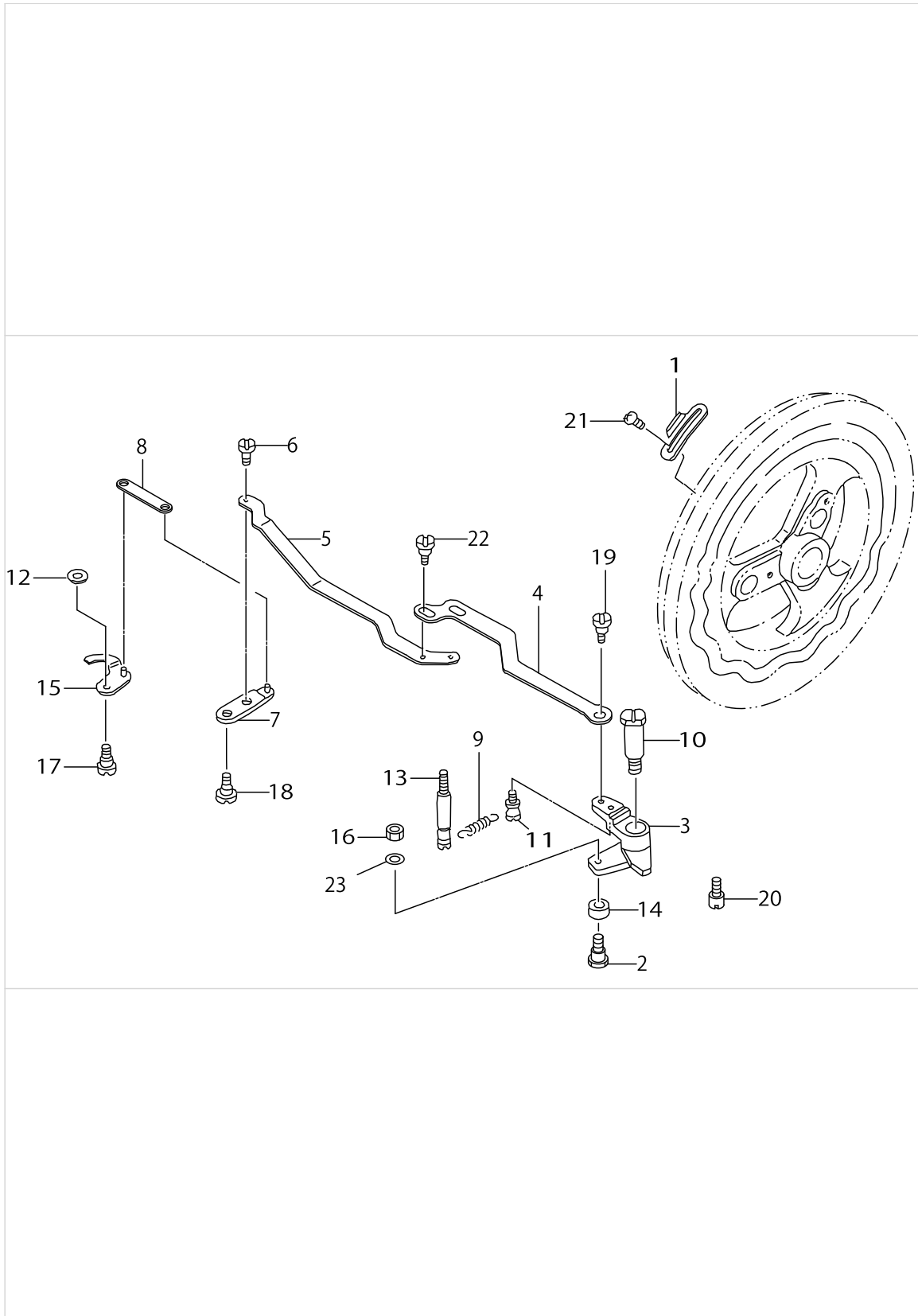
MAIN SHAFT & SHUTTLE DRIVER SHAFT COMPONENTS



MAIN SHAFT & SHUTTLE DRIVER SHAFT COMPONENTS

No.	Parts No.	Parts name	Remarks	Level	Cons	Qty
1	13806203	WORM 18 STITCHES				1
2	13806302	FEED CAM 18 STITCHES				1
3	13806450	CAM SHAFT ASM.				1
4	13806559	WORM WHEEL 18 STITCHES				1
5	13806104	MAIN SHAFT				1
6	B3213210000	BOBBIN WINDER DRIVING WHEEL				1
7	SS8111610SP	SCREW 11/64-40 L=15.5				2
8	B12629800A0	THRUST COLLAR ASM.				1
9	MAZ16742000	ADJUSTING PLATE				1
10	MAZ16743000	BRACKET				1
11	MAZ089830A0	UPPER POSITION SENSOR SW ASM.				1
12	SM6030802TP	SCREW M3X0.5 L=8				2
13	WS0310002KN	SPRING WASHER M3				2
14	WP0320501SC	WASHER M3				2
15	SM1020801SD	SCREW				1

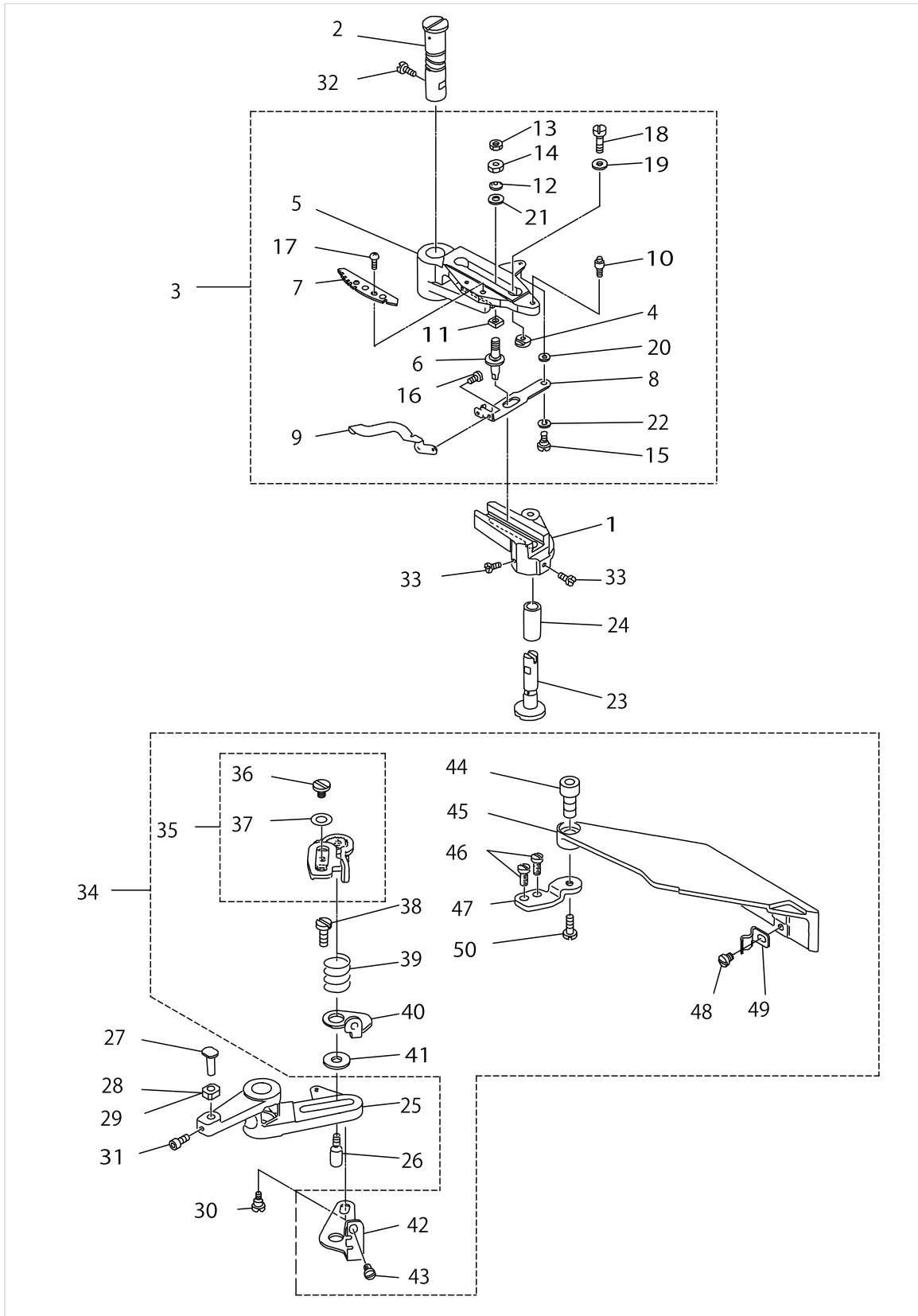
KNOTTING COMPONENTS



KNOTTING COMPONENTS

No.	Parts No.	Parts name	Remarks	Level	Cons	Qty
1	13812508	NOTCH 18 STITCHES				1
2	13812607	BEARING				1
3	13812706	MOVING ARM				1
4	13812805	CONNECTING SHAFT				1
5	13812904	CONNECTING PLATE				1
6	13813001	CONNECTING PLATE BOSS				1
7	13813159	KNOT THE THREAD LEVER ASM.				1
8	13813209	KNOT THE THREAD LINK				1
9	13813308	SPRING				1
10	13813407	MOVING SHAFT				1
11	B1110280000	THREAD CUTTING LINK SPRING RAC				1
12	B242328000D	MOVING KNIFE WASHER D				1
13	B3518352000	OIL DRAIN SCREW				1
14	D2427555B00B	CAM ROLLER				1
15	D2713M1YCA0	KNOT TYING PLATE ASM.				1
16	NS6090310SP	NUT 9/64-40				1
17	SD0500091TP	HINGE SCREW D= 5.0 H= 0.9				1
18	SD0550271TP	HINGE SCREW D= 5.50 H= 2.7				1
19	SD0600322SD	HINGE SCREW D=6 H=3.2				1
20	13813506	STOPPER				1
21	SS6090520SP	SCREW 9/64-40 L= 5.0				2
22	SS9110543CP	SCREW 11/64-40 L=5.3				2
23	WP0450000SD	WASHER 4.5X8X0.5				1

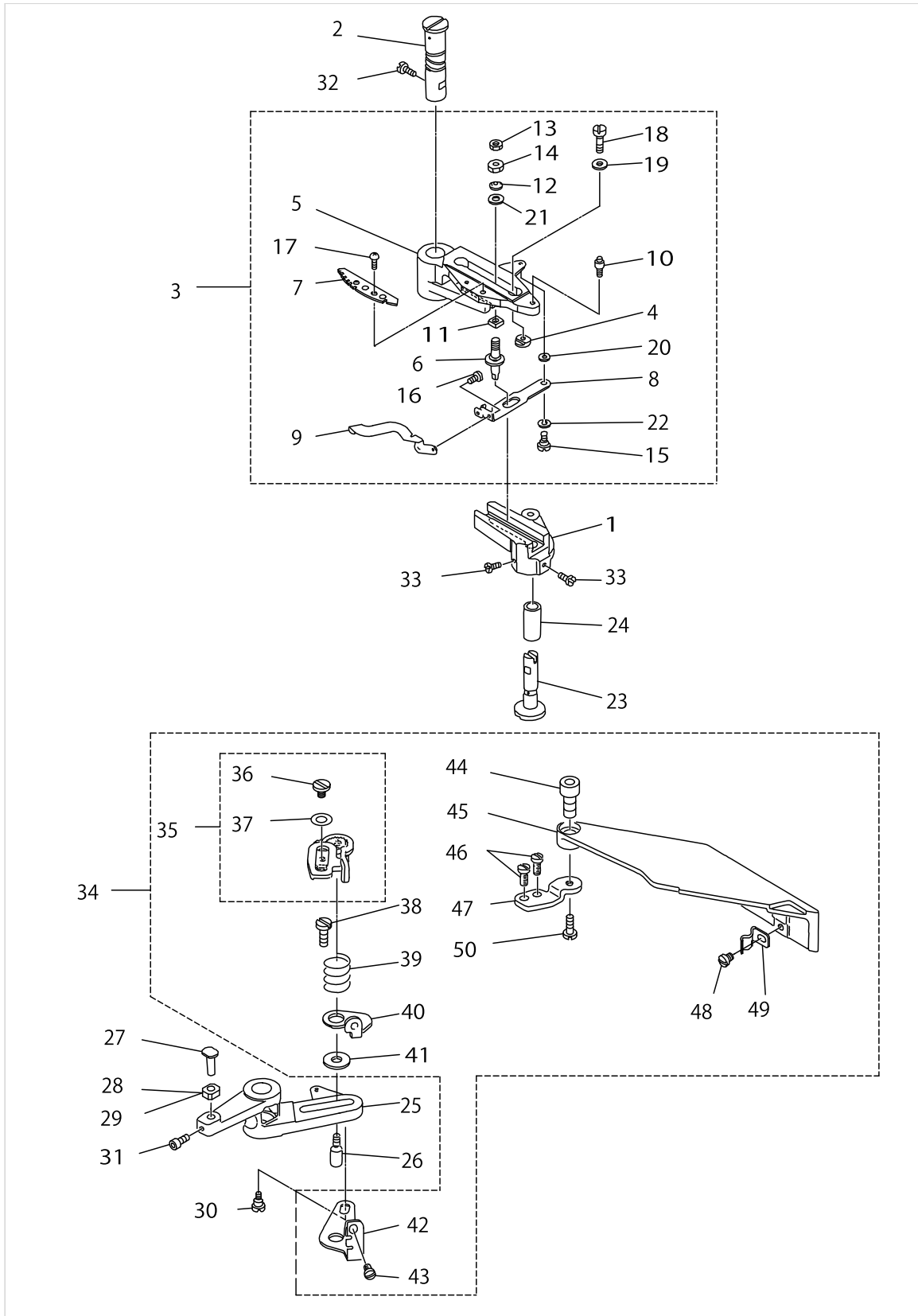
FEED MECHANISM COMPONENTS



FEED MECHANISM COMPONENTS

No.	Parts No.	Parts name	Remarks	Level	Cons	Qty
1	13809306	LENGTHWISE FEED ARM				1
2	13809405	LENGTHWISE FEED SHAFT				1
3	13809553	LENGTHWISE FEED LEVER ASM.				1
4	13809207	LENGTHWISE STOPPER		*		1
5	13809504	LENGTHWISE FEED LEVER		*		1
6	13809801	LENGTHWISE FEED REGULATOR STUD		*		1
7	13809900	ADJUSTING GRADUATE PLATE		*		1
8	13810007	LENGTHWISE ADJUSTING LEVER A		*		1
9	13810106	LENGTHWISE ADJUSTING LEVER B		*		1
10	13517404	HINGE STUD		*		1
11	B1663804000	SLIDE BLOCK		*		1
12	B3125155000	DISK SPRING		*		1
13	NS6150350SP	NUT 15/64-28		*		1
14	NS6150440SP	NUT 15/64-28		*		1
15	SD0640241SP	HINGE SCREW D= 6.35 H= 2.4		*		1
16	SS4090415SP	SCREW 9/64-40 L=4		*		2
17	SS4110515SP	SCREW 11/64-40 L=5		*		2
18	SS6111140SP	SCREW 11/64-40 L=11		*		1
19	WP0482086SD	WASHER 4.8X11.5X2		*		1
20	WP0501016SD	WASHER 5X10.5X1		*		1
21	WP0702026SP	WASHER 7X15X2		*		1
22	WZ0641510KP	WAVED WASHER 6.4X11X0.3		*		1
23	13809603	LENGTHWISE FEED LEVER SHAFT				1
24	13809702	LENGTHWISE FEED BUSH				1
25	13810205	CROSSWISE FEED ARM				1
26	13516505	FEED REGULATOR STUD				1
27	13517206	SLIDE BLOCK STUD				1
28	B141423200A	CRANK SLIDE BLOCK	SELECTIVE PART			1
29	B1414232000	SQUARE BLOCK				1
30	SD0530221SP	HINGE SCREW D= 5.3 H= 2.2				1
31	SS6151142TP	SCREW 15/64-28 L=10.5				1
32	SS6151220SP	SCREW 15/64-28 L=11.5				1
33	SS9661230CP	SCREW 1/4-40 L=12				2
34	MAZ165300A0	FEED ACROSS ADJUSTMENT ASM.				1
35	GAF010020B0	FIXED LEVER PLATE ASM.		*		1
36	SD0640321SP	HINGE SCREW D= 6.35 H= 3.2		*		1
37	WP0651056SH	WASHER 6.5X11X1		*		1
38	SS6151220SP	SCREW 15/64-28 L=11.5		*		1
39	GAF01007000	SPRING		*		1
40	GAF01009000	PLATE		*		1
41	WP0611626SP	WASHER 15X6X1.6		*		1
42	MAZ16530000	LEVER		*		1
43	SS7110410SP	SCREW 11/64-40 L=4		*		1
44	MAZ16531000	BED COVER A PICK-UP		*		1
45	MAZ16535000	BED COVER A		*		1
46	SS7110910TP	SCREW 11/64-40 L= 8.5		*		2
47	GAF01012000	BED COVER INSTALLING PLATE		*		1

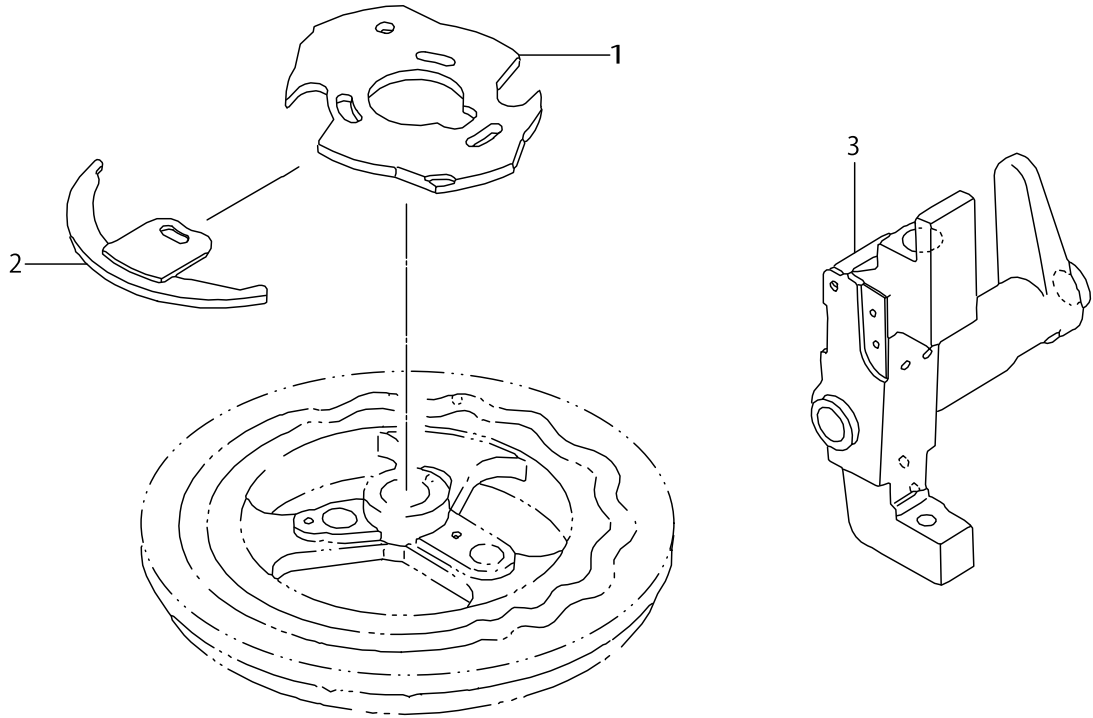
FEED MECHANISM COMPONENTS



FEED MECHANISM COMPONENTS

No.	Parts No.	Parts name	Remarks	Level	Cons	Qty
48	SS7110410SP	SCREW 11/64-40 L=4		*		1
49	MAZ16532000	SPRING FOR BED COVER (A)		*		1
50	SS7111410TP	SCREW 11/64-40 L=14		*		1

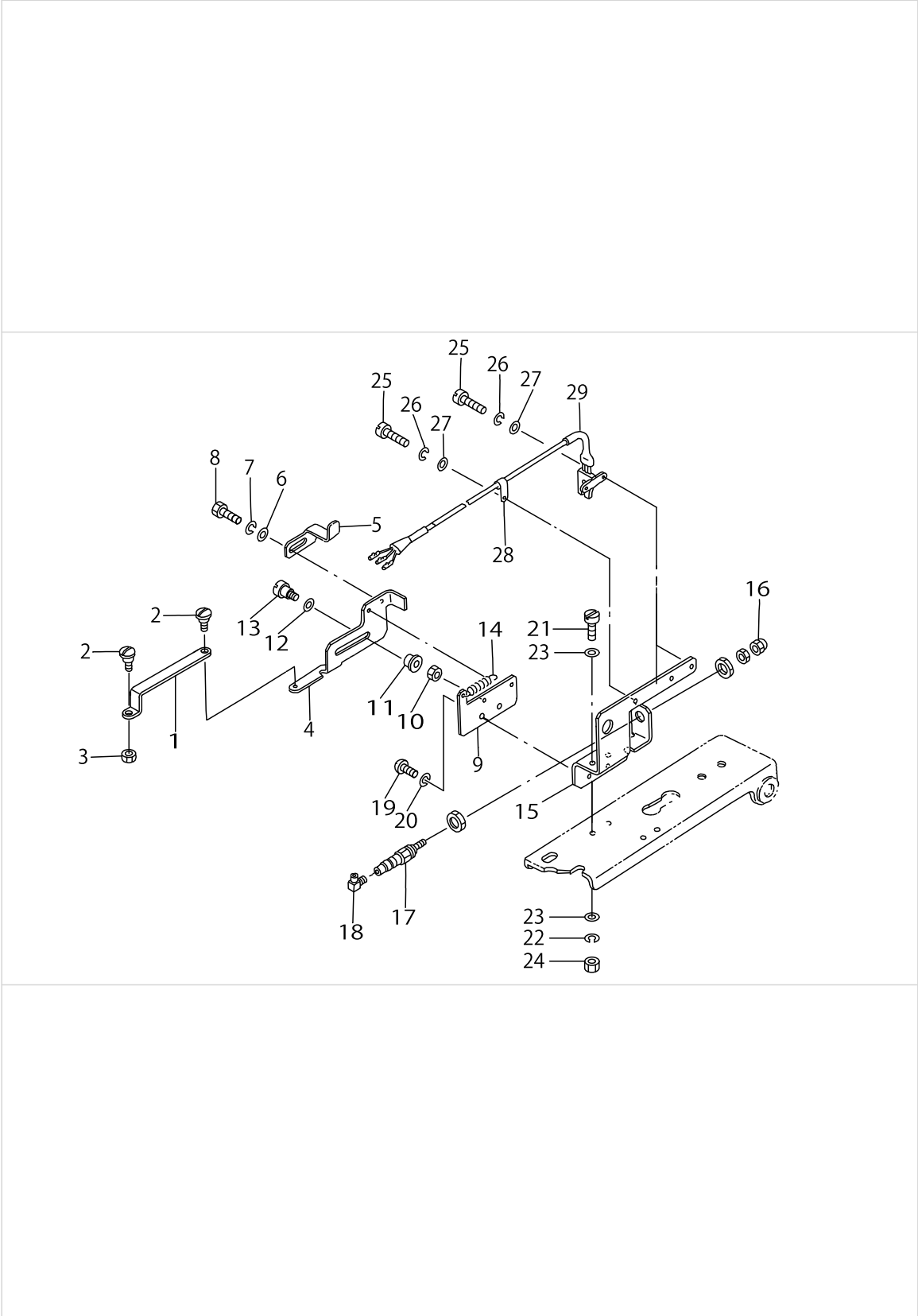
STOP-MOTION MECHANISM COMPONENTS



STOP-MOTION MECHANISM COMPONENTS

No.	Parts No.	Parts name	Remarks	Level	Cons	Qty
1	13813704	STOP MOTION CONTROL CAM				1
2	13813803	STOP MOTION FEED CAM				1
3	13813605	STOP MOTION FRAME				1

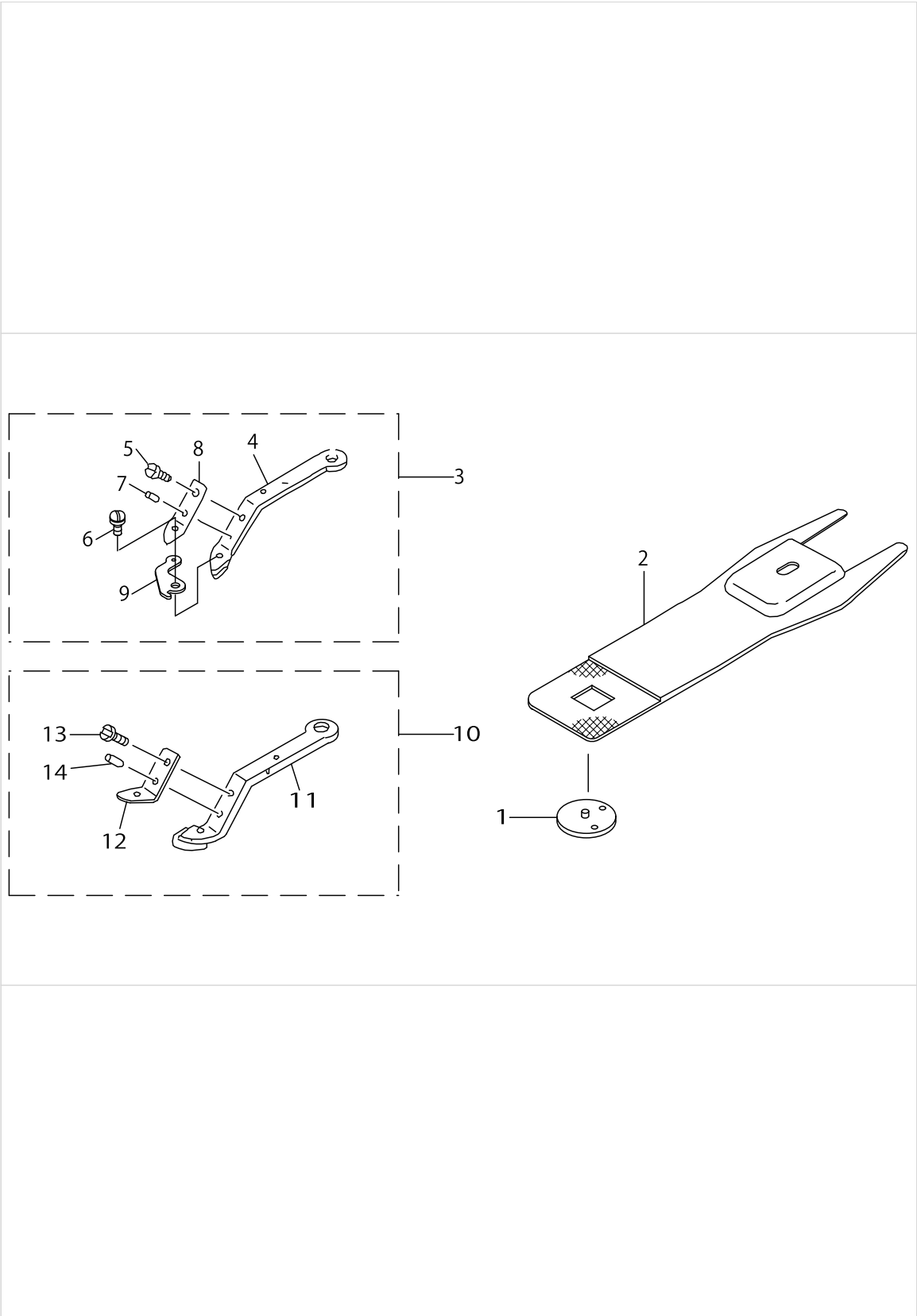
BUTTON SENSOR COMPONENTS



BUTTON SENSOR COMPONENTS

No.	Parts No.	Parts name	Remarks	Level	Cons	Qty
1	MAZ08920000A	LINK SHAFT				1
2	MAZ08921000	LINK SCREW, B				2
3	NM6860003SC	NUT M2.6				1
4	MAZ08919000	SLIDER LINK				1
5	MAZ16722000	PLATE				1
6	WP0320501SC	WASHER M3				1
7	WS0310002KN	SPRING WASHER M3				1
8	SM6030602TP	SCREW M3X0.5 L=6				1
9	MAZ16726000	PLATE				1
10	NS6080210SP	NUT 1/8-44				2
11	MAZ16723000	BEARING				2
12	WP0451026SH	WASHER				2
13	SD0450403TP	HINGE SCREW				2
14	D3149141E00	SPRING				1
15	MAZ16718000	PLATE				1
16	NM7030510SA	NUT M3				1
17	PA0601004A0	AIR CYLINDER				1
18	PJ046052503	HOSE ELBOW				1
19	SS4080610SP	SCREW 1/8-44 L=6.4				2
20	WS0310002KN	SPRING WASHER M3				2
21	SS6111620SP	SCREW 11/64-40 L=16.0				2
22	WS0451040KP	SPRING WASHER 4.5X8.5X1				2
23	WP0451026SD	WASHER				4
24	NS6110420SP	NUT 11/64-40				2
25	SS6080810SP	SCREW 1/8-44 L= 8.0				3
26	WS0310002KN	SPRING WASHER M3				3
27	WP0320501SC	WASHER M3				3
28	HX00150000A	CABLE CLAMP				1
29	MAZ167820A0	SENSOR SWITCH ASM.				1

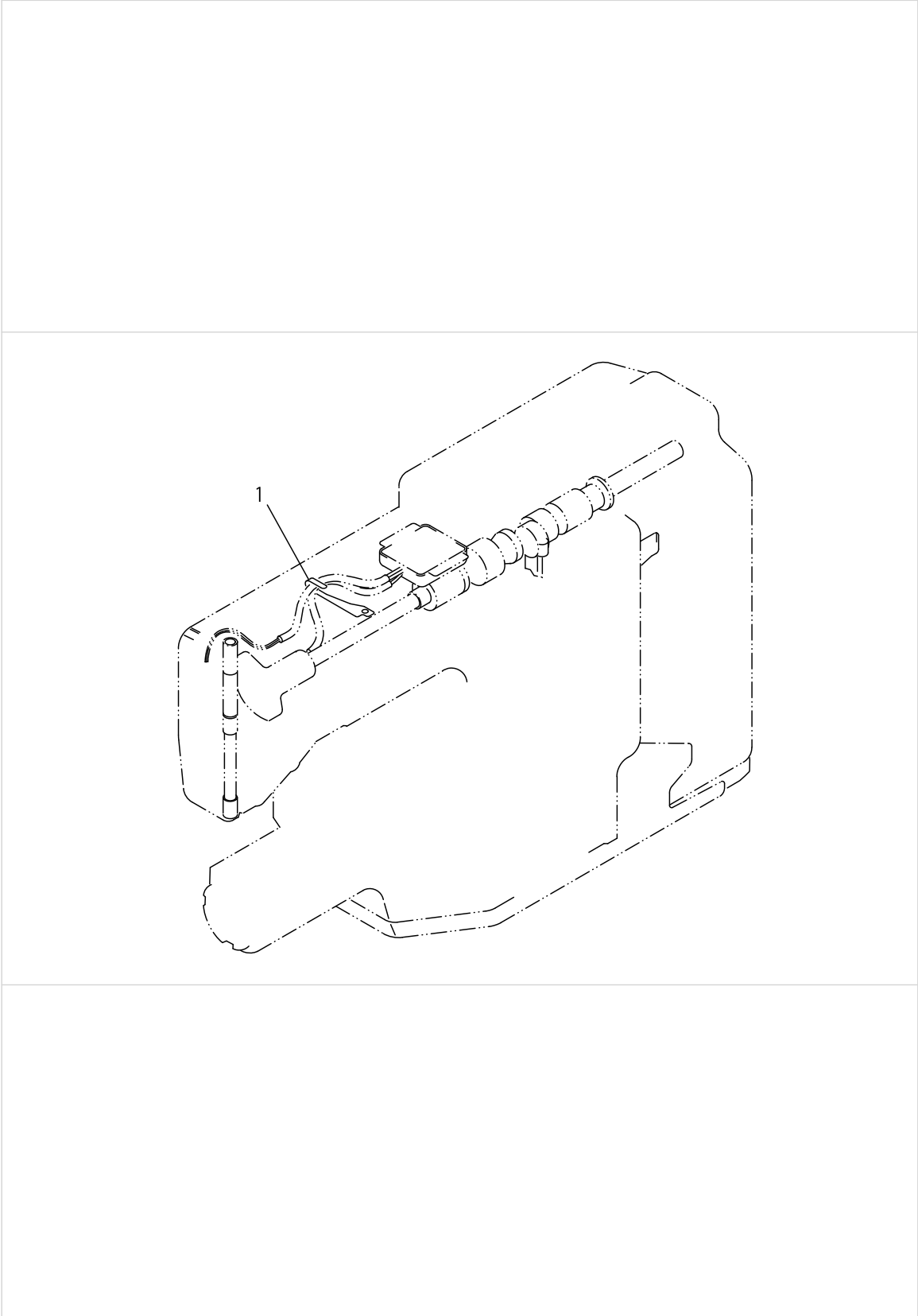
BUTTON CLAMP COMPONENTS (Z168 ATTACHMENT FOR MEDIUM-SIZED BUTTONS)



BUTTON CLAMP COMPONENTS (Z168 ATTACHMENT FOR MEDIUM-SIZED BUTTONS)

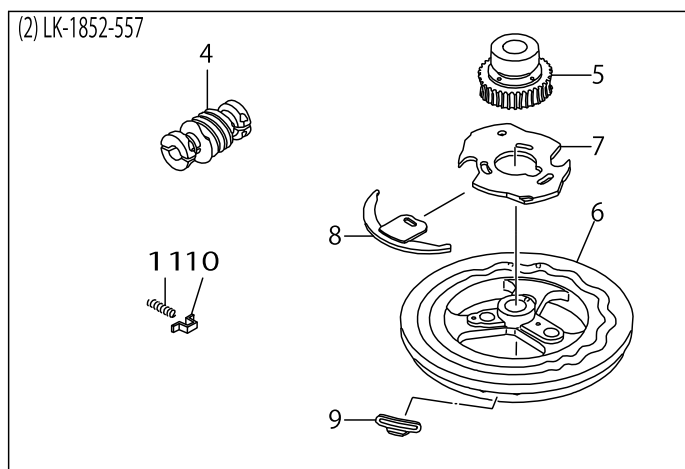
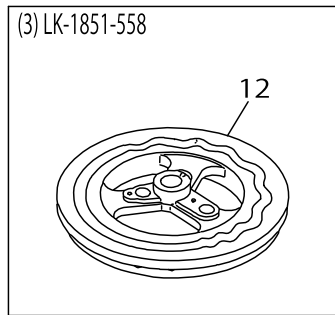
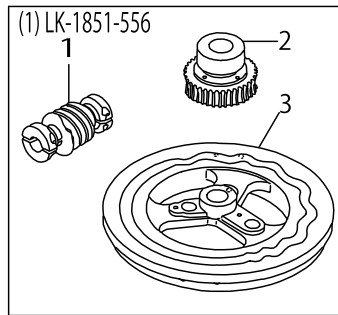
No.	Parts No.	Parts name	Remarks	Level	Cons	Qty
1	MAZ15601000	GUIDE				1
2	MAZ15602000	PRESSURE PLATE				1
3	MAZ168140A0	M BUTTON CLAMP JAW LEVER ASM.L				1
4	MAZ16814000	M BUTTON CLAMP JAW LEVER, LEFT		*		1
5	SS7090410SP	SCREW 9/64-40 L= 3.5		*		1
6	MAZ08916000	LINK SCREW A		*		1
7	B2559372000	BUTTON CLAMP LOCATING PIN		*		1
8	MAZ08917000	BUTTON HOLDING SPRING,LEFT		*		1
9	MAZ08915000A	SENSOR LEVER		*		1
10	MAZ166070B0	M BUTTON CLAMP JAW LEVER ASM.R				1
11	MAZ166070A0	M BUTTON CLAMP JAW LEVER ASM.R		*		1
12	MAZ15509000	SPRING, RIGHT		*		1
13	SS7090410SP	SCREW 9/64-40 L= 3.5		*		1
14	B2559372000	BUTTON CLAMP LOCATING PIN		*		1

LUBRICATION MECHANISM COMPONENTS



LUBRICATION MECHANISM COMPONENTS

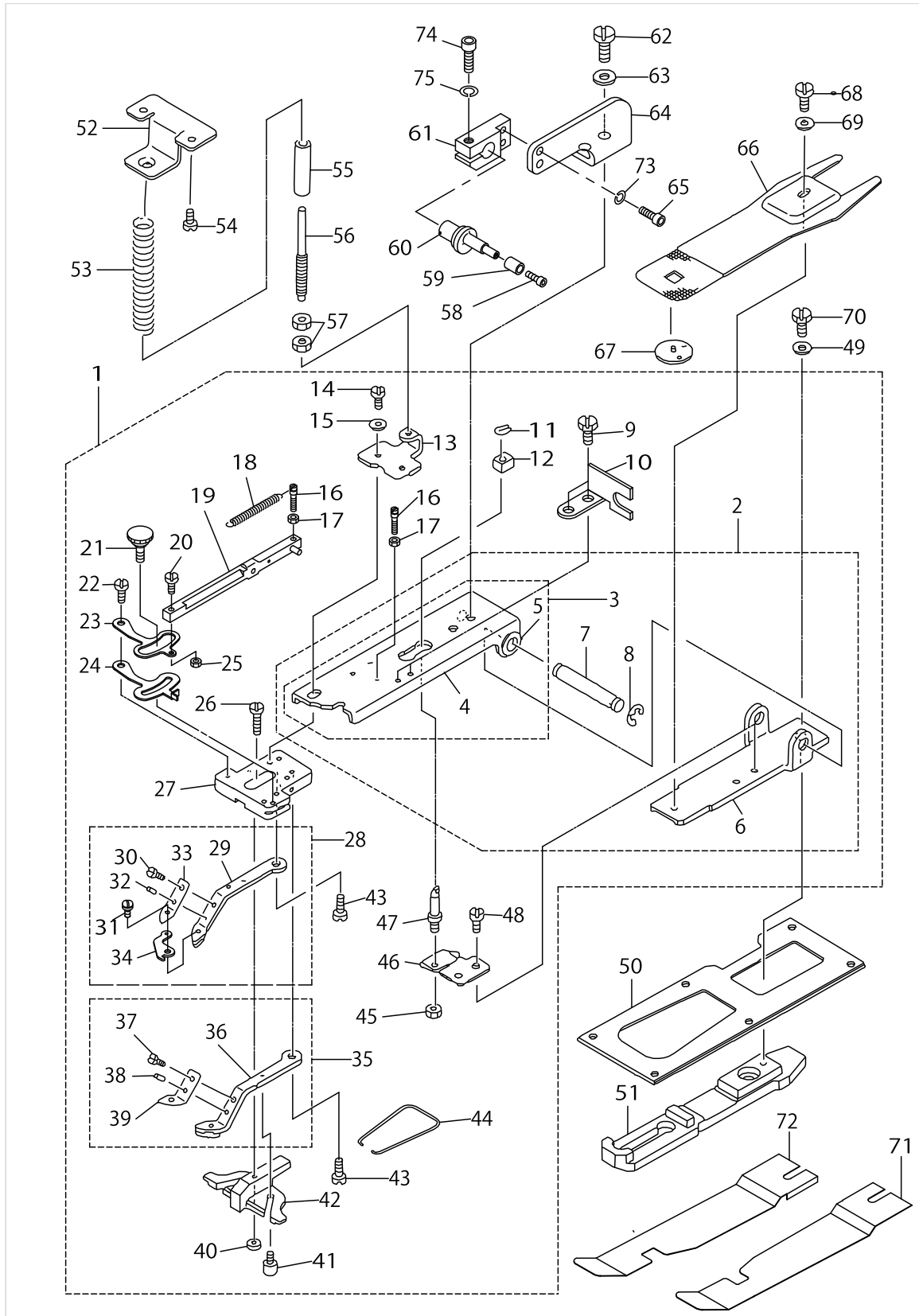
No.	Parts No.	Parts name	Remarks	Level	Cons	Qty
1	MAZ16526000	CLAMP				1



LK-1851 SERIES SUBCLASSES

No.	Parts No.	Parts name	Remarks	Level	Cons	Qty
1	13815105	WORM WHEEL 16 STITCHES				1
2	13815451	WORM WHEEL ASM. 16 STITCHES				1
3	13814207	FEED CAM 16 STITCHES				1
4	13815204	WORM WHEEL 22 STITCHES				1
5	13815550	WORM WHEEL ASM. 22 STITCHES				1
6	13814306	FEED CAM 22 STITCHES				1
7	13814702	STOP MOTION FEED CAM				1
8	13814900	STOP MOTION FEED CAM				1
9	13814504	NOTCH 22 STITCHES				1
10	13815709	PRESSURE PLATE				1
11	B1240980000	BALL PUSHING SPRING				1
12	13814108	FEED CAM 18 STITCHES				1

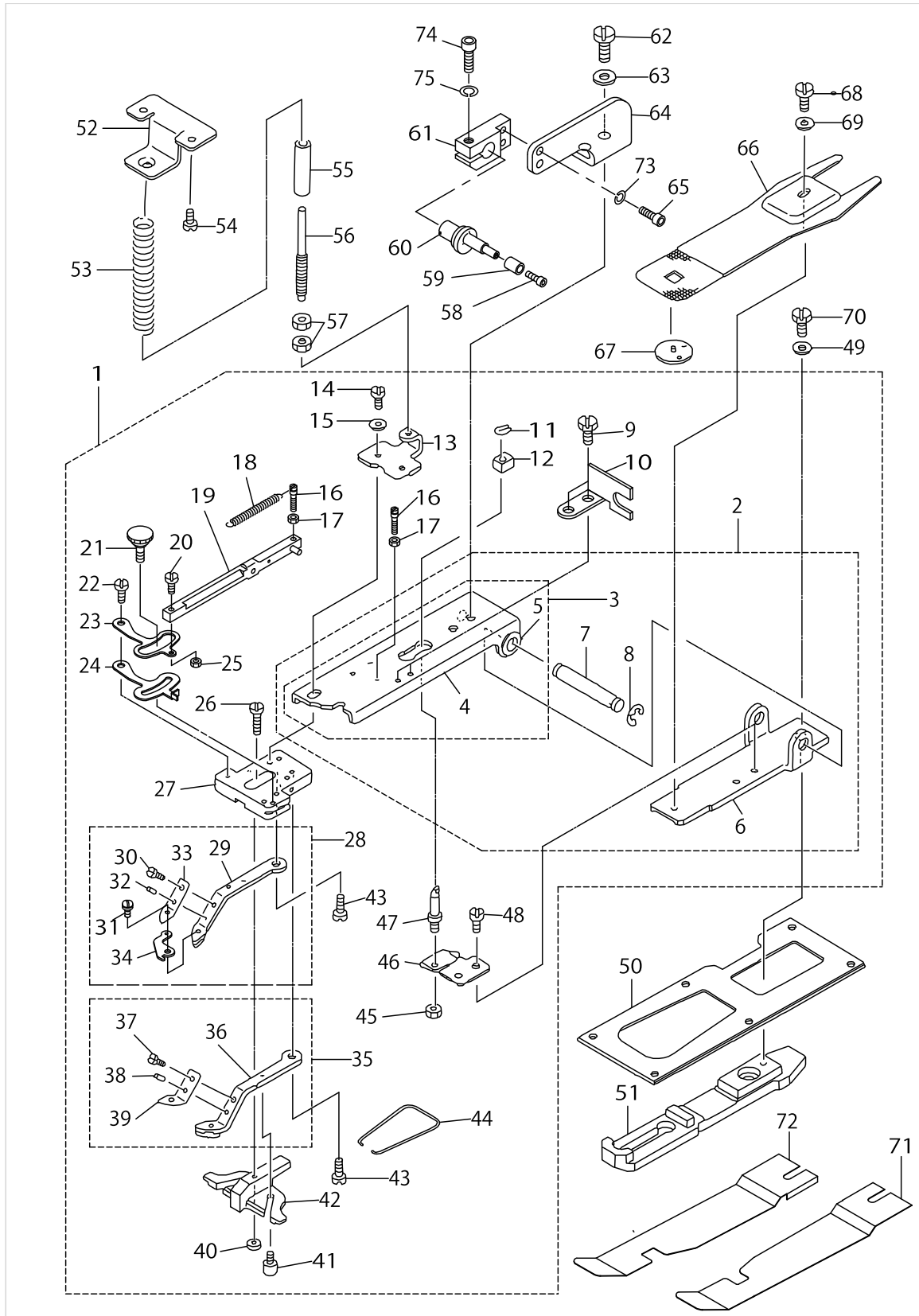
BUTTON CLAMP COMPONENTS (Z167 ATTACHMENT FOR SMALL BUTTONS)



BUTTON CLAMP COMPONENTS (Z167 ATTACHMENT FOR SMALL BUTTONS)

No.	Parts No.	Parts name	Remarks	Level	Cons	Qty
1	MAZ167140B0	S BUTTON CLAMP MECHANISM ASM.				1
2	MAZ155030B0	CLAMP JAW LEVER BASE ASM.		*		1
3	MAZ155030A0	CLAMP JAW LEVER BASE ASM.		*		1
4	MAZ15503000	CLAMP JAW LEVER BASE		*		1
5	D2505232D00	SUPPORT BOSS		*		2
6	MAZ15504000	BUTTON CLAMP MECHANISM BASE		*		1
7	D2502232D00	SHAFT BLOCK SHAFT		*		1
8	RE0700000K0	E-RING 7		*		2
9	SS9091010SP	SCREW 9/64-40 L=10		*		2
10	D2572M1YC0F	LINK SUPPORTING PLATE		*		1
11	D2548232D00	SNAP RING, FOR CONNECTING ROD		*		1
12	MAZ15515000	SLIDE BLOCK		*		1
13	MAZ15517000	SLIDE BRACKET		*		1
14	SS9621413SP	SCREW 3/16-32 L=13.5		*		2
15	WP0501016SD	WASHER 5X10.5X1		*		2
16	GBR01607000	SPRING HOOK		*		2
17	NS6080210SP	NUT 1/8-44		*		2
18	GBR01606000	RELEASE RETURN SPRING		*		1
19	MAZ088270A0	CLAMP PELEASE LINK ASM.		*		1
20	SS7091480SP	SCREW 9/64-40 L=13.5		*		1
21	B2549372R00A	CLAMP SCREW A		*		1
22	SD0500404SP	HINGE SCREW		*		1
23	GBR01601000A	CLAMP RELEASE LEVER		*		1
24	B2548372R00A	BUTTON CLAMP STOP LEVER ASM.		*		1
25	NS6090310SP	NUT 9/64-40		*		1
26	SD0550303SP	HINGE SCREW		*		1
27	MAZ15505000	BUTTON CLAMP JAW LEVER BASE		*		1
28	MAZ167140A0	S BUTTON CLAMP JAW LEVER ASM.L		*		1
29	MAZ16714000	S BUTTON CLAMP JAW LEVER, LEFT		*		1
30	SS7090410SP	SCREW 9/64-40 L= 3.5		*		1
31	MAZ08916000	LINK SCREW A		*		1
32	B2559372000	BUTTON CLAMP LOCATING PIN		*		1
33	MAZ08917000	BUTTON HOLDING SPRING, LEFT		*		1
34	MAZ08915000A	SENSOR LEVER		*		1
35	MAZ165070B0	S BUTTON CLAMP JAW LEVER ASM.R		*		1
36	MAZ165070A0	S BUTTON CLAMP JAW LEVER ASM.R		*		1
37	SS7090410SP	SCREW 9/64-40 L= 3.5		*		1
38	B2559372000	BUTTON CLAMP LOCATING PIN		*		1
39	MAZ08829000	SPRING, RIGHT		*		1
40	B2553372000	NUT		*		1
41	B2560372000	BUTTON CLAMP STOP PIN		*		2
42	MAZ16522000	BUTTON GUIDE FOOT		*		1
43	MAZ15518000	SCREW		*		2
44	B2561372000	BUTTON CLAMP SPRING		*		1
45	NS6150310SP	NUT 15/64-28		*		1
46	MAZ15514000	SUPPORT PLATE		*		1
47	13540901	STATIONING BLOCK SHAFT		*		1

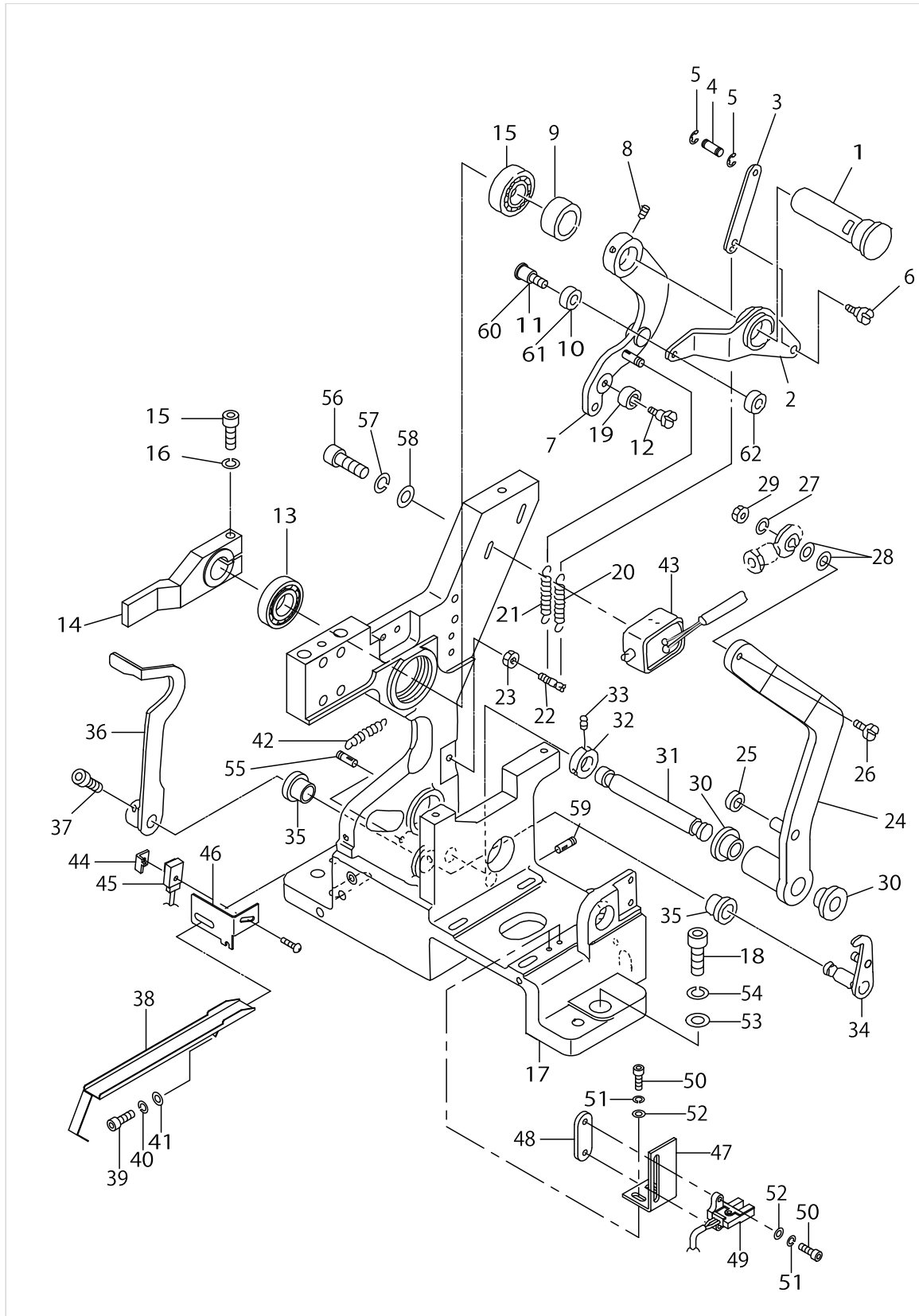
BUTTON CLAMP COMPONENTS (Z167 ATTACHMENT FOR SMALL BUTTONS)



BUTTON CLAMP COMPONENTS (Z167 ATTACHMENT FOR SMALL BUTTONS)

No.	Parts No.	Parts name	Remarks	Level	Cons	Qty
48	SS9110543CP	SCREW 11/64-40 L=5.3		*		2
49	WP0612516SD	WASHER 6.1X15.2X2.5				1
50	13810403	PRESSURE PLATE				1
51	13810304	FEED PLATE				1
52	13811906	ACCEPT PLATE, UPPER				1
53	13812003	PRESSURE SPRING				1
54	SS7110840SP	SCREW 11/64-40 L=7.8				2
55	D2527232D00	SLEEVE				1
56	D2528232D00	SHAFT				1
57	B3125012000	THREAD TENSION NUT				2
58	GBR01161000	NUT				1
59	GBR01160000	ROLLER				1
60	18207605	HOOK				1
61	18209007	HOOK HOLDER				1
62	SS9151120CP	SCREW 15/64-28 L=11				2
63	WP0612516SD	WASHER 6.1X15.2X2.5				2
64	18208900	HOLDER BRACKET				1
65	SM6041202TP	SCREW M4X0.7 L=12				2
66	MAZ15502000	PRESSURE PLATE				1
67	MAZ15801000	GUIDE				1
68	SS9110543CP	SCREW 11/64-40 L=5.3				1
69	WP0501016SD	WASHER 5X10.5X1				1
70	SS9151120CP	SCREW 15/64-28 L=11				1
71	G5520164A00	SUPPORT PLATE (FOR MAN)	OPTIONAL PARTS			1
72	G5521164A00	SUPPORT PLATE (FOR WOMAN)	OPTIONAL PARTS			1
73	WS0410002KN	SPRING WASHER				2
74	SM6051602TP	SCREW M5X0.8 L=16				1
75	WS0510002KN	SPRING WASHER				1

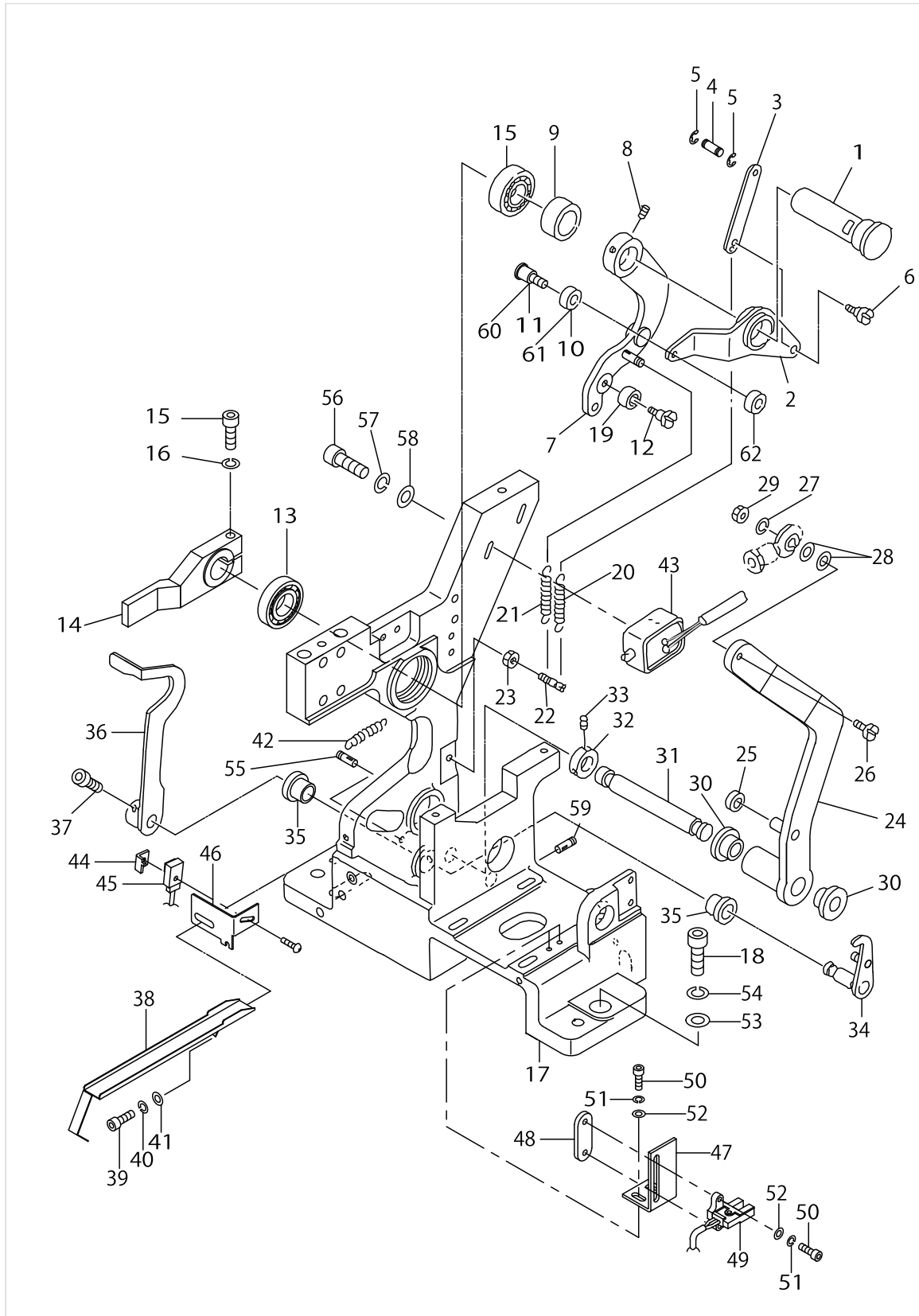
FINE POSITION OF BUTTONS COMPONENTS (1)



FINE POSITION OF BUTTONS COMPONENTS (1)

No.	Parts No.	Parts name	Remarks	Level	Cons	Qty
1	16552507	ARM SHAFT				1
2	18219709	RUBBING UP-AND-DOWN LEVER				1
3	18218206	RUBBING UP-AND-DOWN LINK				1
4	16557209	PIN				1
5	RE0200000K0	E-RING				2
6	SD0600341TP	HINGE SCREW D=6.0 H=3.4				1
7	18227850	UP AND DOWN LEVER ASM.				1
8	SM8050602TP	SCREW M5 L=6				2
9	16552606	THRUST COLLAR				1
10	18219808	RUBBING ROLLER	ADDITION FROM '91.9			1
11	SD0600401TP	HINGE SCREW D= 6 H= 4	ADDITION FROM '91.9			1
12	SD0601021SP	HINGE SCREW D=6 H=10.2				1
13	SB115000400	RADIAL BEARING				2
14	18207902	UP AND DOWN ARM				1
15	SM6052502TP	SCREW M5X0.8 L=25				1
16	WS0510002KN	SPRING WASHER				1
17	18227702	MAIN BODY				1
18	SM6063002TP	SCREW M6 L=30				3
19	16556706	BEARING				1
20	16554008	SPRING				1
21	16553208	SPRING				1
22	16553307	HOOK				1
23	NM6050001SC	NUT M5				1
24	18206706	TURNING LEVER				1
25	16556805	COLLAR				1
26	SM6042002TP	SCREW M4X0.7 L=20				1
27	WS0410002KN	SPRING WASHER				1
28	WP0430800SC	WASHER M4				2
29	NM6040001SC	NUT M4				1
30	16557506	LEVER SHAFT METAL				2
31	16554503	SHAFT				1
32	16559007	BASE A (BR-10)				1
33	SM8040602TP	SCREW M4X0.7 L=6				2
34	18217752	CLAMP RELEASE ASM.				1
35	16557605	SHAFT BUSHING				2
36	18206904	CLAMP RELEASE ARM				1
37	SM6050802TP	SCREW M5X0.8 L=8				2
38	GBR11101000	SUPPORT PLATE				1
39	SM6041002TP	SCREW M4 L=10				1
40	WS0410002KN	SPRING WASHER				1
41	WP0430800SC	WASHER M4				1
42	16554008	SPRING				1
43	GBR10852000	MAGNET				1
44	GBR11104000	SENSOR BRACKET				1
45	GBR118470A0	UPPER & LOWER SENSOR ASM.				1
46	GBR11102000	SENSOR BRACKET				1
47	GBR21103000	SENSOR BRACKET				1

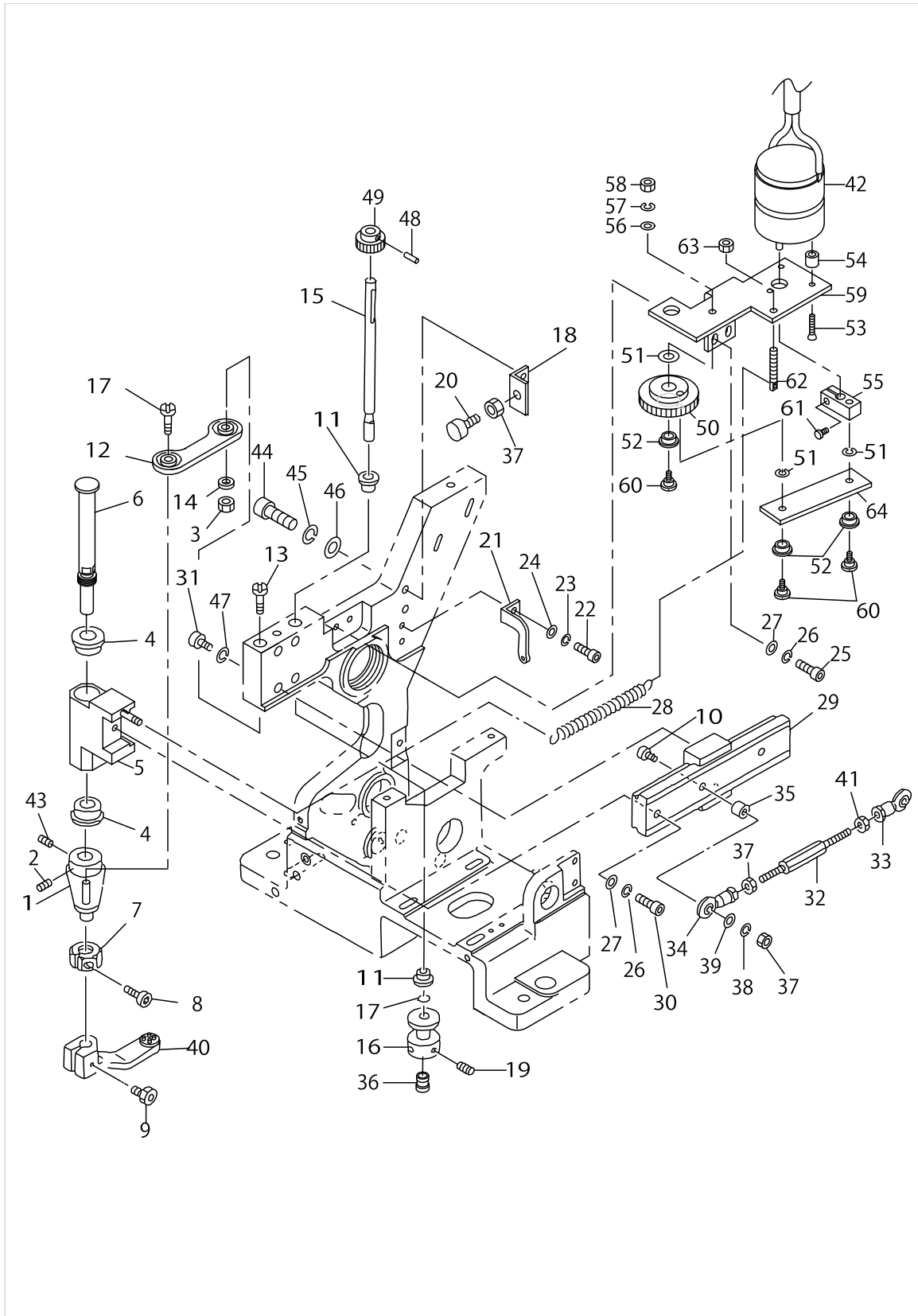
FINE POSITION OF BUTTONS COMPONENTS (1)



FINE POSITION OF BUTTONS COMPONENTS (1)

No.	Parts No.	Parts name	Remarks	Level	Cons	Qty
48	G5153171000	SENSOR PLATE				1
49	GBR218420A0	SWITCH ASM.				1
50	SM6031002TP	HEXAGONAL BOLT M3 X 10				4
51	WS0310002KN	SPRING WASHER M3				4
52	WP0320501SC	WASHER M3				4
53	16559601	WASHER				3
54	WS0610002KN	SPRING WASHER 6.1X12.2X1.5				3
55	18219006	DW PIN 4*14				1
56	SM6031402TP	SCREW				2
57	WS0310002KN	SPRING WASHER M3				2
58	WP0320500SC	WASHER M3				2
59	SM8050502TP	SCREW M5 L=5				1
60	16553406	HINGE SCREW (2)	DELITON FROM '91.9			1
61	16553505	ROLLER	DELITON FROM '91.9			1
62	NM6040001SC	NUT M4	DELITON FROM '91.9			1

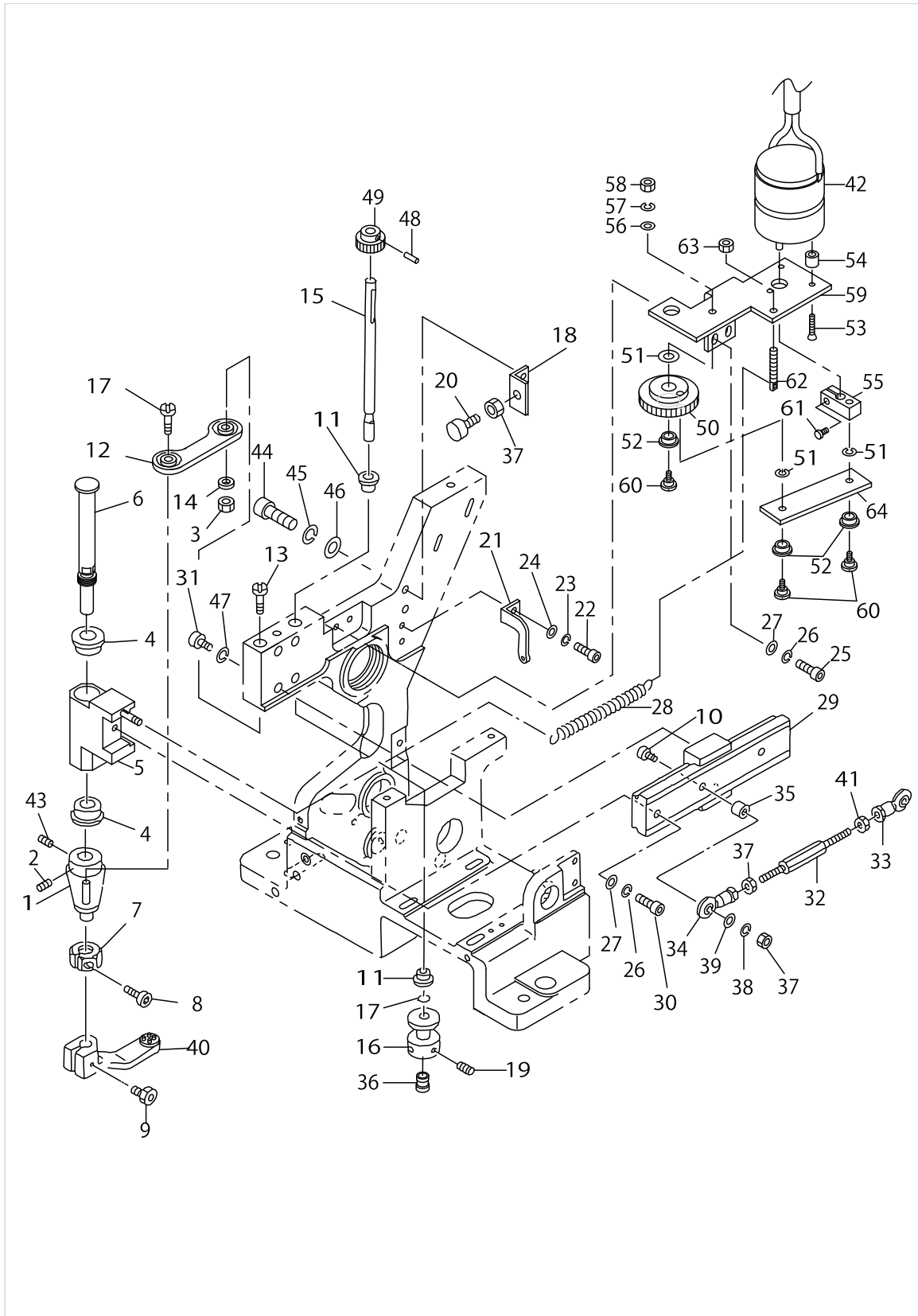
FINE POSITION OF BUTTONS COMPONENTS (2)



FINE POSITION OF BUTTONS COMPONENTS (2)

No.	Parts No.	Parts name	Remarks	Level	Cons	Qty
1	18206003	TURNING LEVER BOSS				1
2	SM8050602TP	SCREW M5 L=6				1
3	NM6050001SC	NUT M5				1
4	16557407	ARM SHAFT METAL				2
5	18227959	TURNING HEAD ASM.				1
6	18205906	TURNING SHAFT				1
7	18206409	STOPPER				1
8	SM6031202TP	SCREW M3X0.5 L=12				1
9	GBR11108000	CARRIER FIXED BOLT				1
10	SM6042502TP	SCREW M4X0.7 L=25				1
11	16557308	METAL				2
12	18206656	CONNECTING PLATE ASM.				1
13	18205708	SCREW				2
14	WS0510002KS	SPRING WASHER M5				1
15	18206201	ROTATING ROD				1
16	16551905	HOOK				1
17	16558801	O-RING				1
18	18205609	STOPPER HOLDER				1
19	SM8040602TP	SCREW M4X0.7 L=6				2
20	16552309	STOPPER				1
21	18205401	SPRING HOOK				1
22	SM6040802TP	SCREW M4X0.7 L=8				2
23	WS0410002KN	SPRING WASHER				2
24	WP0430800SC	WASHER M4				2
25	SM6041002TP	SCREW M4 L=10				2
26	WS0410002KN	SPRING WASHER				3
27	WP0430800SC	WASHER M4				3
28	16551806	SPRING				1
29	16556607	LM GUIDE				1
30	SM6041402TP	SCREW M4 L=14				1
31	SM6031402TP	SCREW				4
32	16550204	CONNECTING ROD				1
33	16556409	ROD END				1
34	16556300	ROD END				1
35	16550402	COLLAR B				1
36	18200501	WORK ATTACHMENT (SMALL)				1
37	NM6040001SC	NUT M4				3
38	WS0410002KN	SPRING WASHER				1
39	WP0430800SC	WASHER M4				1
40	16557902	BUTTON CARRIER A				1
41	GBR01175000	ROD END NUT, LEFT				1
42	GBR108550A0	DC MOTOR ASM.				1
43	SM8050502TP	SCREW M5 L=5				1
44	SM6042002TP	SCREW M4X0.7 L=20				2
45	WP0430800SC	WASHER M4				2
46	WS0410002KN	SPRING WASHER				2
47	WS0310002KN	SPRING WASHER M3				4

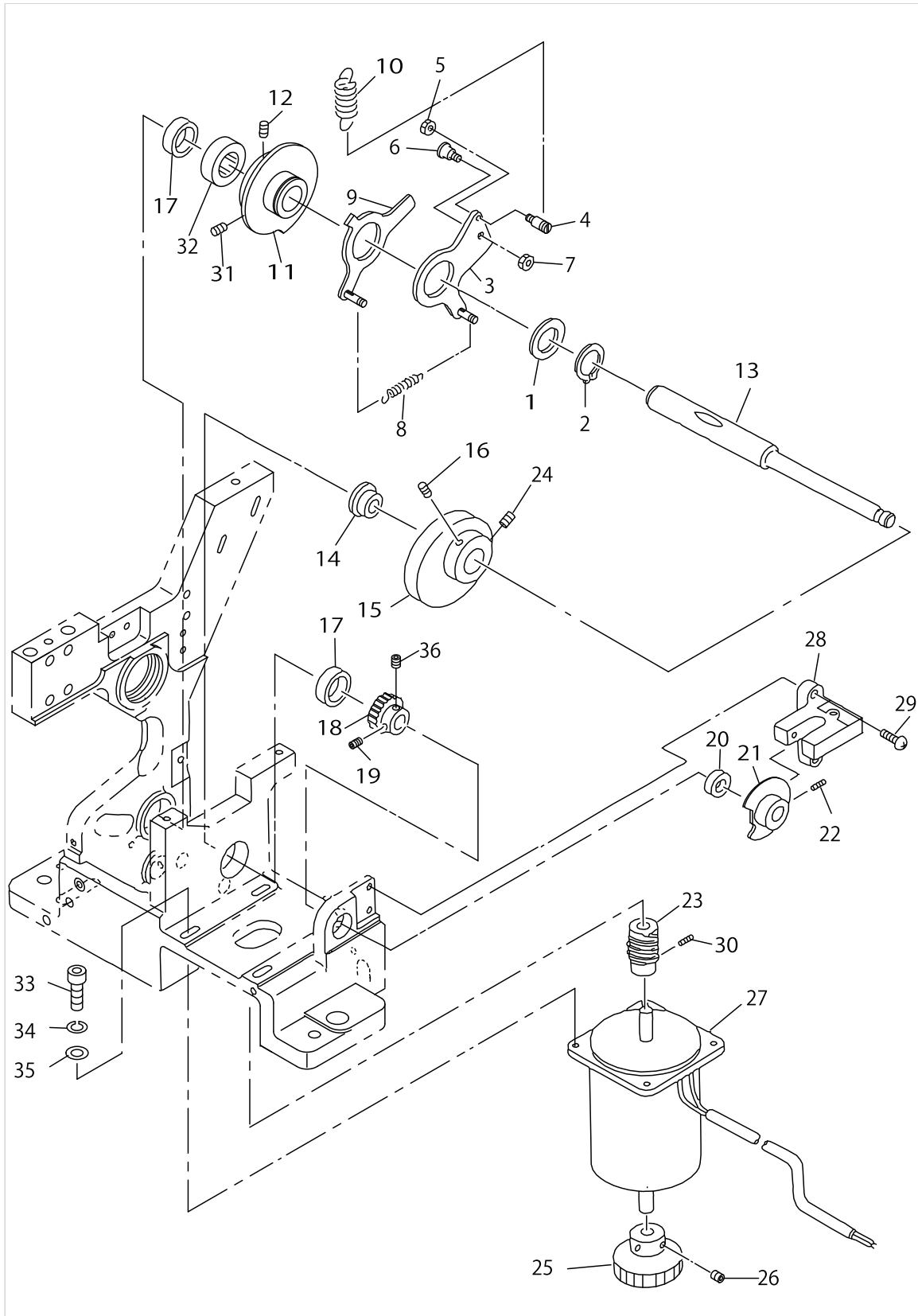
FINE POSITION OF BUTTONS COMPONENTS (2)



FINE POSITION OF BUTTONS COMPONENTS (2)

No.	Parts No.	Parts name	Remarks	Level	Cons	Qty
48	PH0300125S0	PIN				1
49	GBR11110000	PINION, A				1
50	GBR11111000	PINION, B				1
51	GBR11114000	WASHER				3
52	E5006171000	PS BEARING				2
53	SM1031401SC	SCREW M3X0.5 L=14				3
54	11110707	WIPER HINGE SCREW COLLAR				3
55	GBR11112000	DRIVING ARM				1
56	WP0430801SC	WASHER 4.3X9X0.8				1
57	WS0410002KN	SPRING WASHER				1
58	NS6110360SP	NUT				1
59	GBR11109000	BRACKET				1
60	SD0600651TP	HINGE SCREW				3
61	SM6030602TP	SCREW M3X0.5 L=6				1
62	B1649161000	TENSION SPRING ADJUSTING SCREW				1
63	NS6110360SP	NUT				1
64	GBR11113000	LINK				1

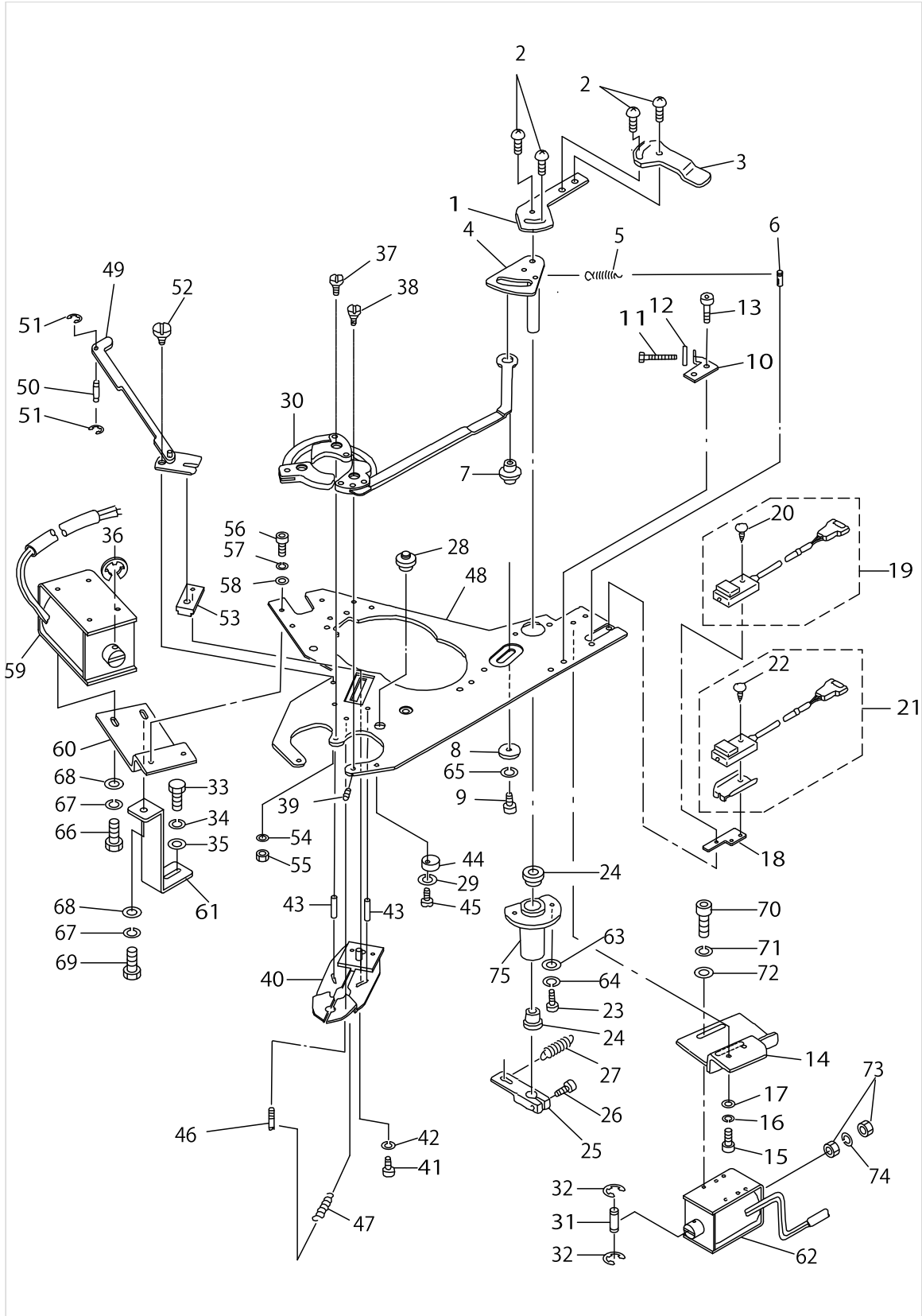
CAM COMPONENTS



CAM COMPONENTS

No.	Parts No.	Parts name	Remarks	Level	Cons	Qty
1	GBR01120000	COLLAR				1
2	RC2500001KP	RETAINING RING 25				1
3	18217950	START TIMING CAM ASM.				1
4	16562803	HOOK				1
5	NM6040001SC	NUT M4				1
6	16562902	HINGE SCREW				1
7	NM6050001SC	NUT M5				1
8	18212506	TENSION SPRING				1
9	18227553	HOLDING CLAMP DRIVE CAM ASM.				1
10	GBR01126000A	TENSION SPRING				1
11	18207209	DOUBLE CAM				1
12	SM8050612TP	SCREW M5X6				1
13	18207506	CAM SHAFT				1
14	16560104	CAM SHAFT COLLAR 1				1
15	16561607	SPINNER OSCILLATING ARM CAM				1
16	SM8050812TP	SCREW M5X8				1
17	GBR01168000	NEEDLE BEARING 3				2
18	16562001	WORM WHEEL				1
19	16562407	SCREW				1
20	16562308	NEEDLE BEARING				1
21	GBR11107000	SENSOR DOCK				1
22	SM8040602TP	SCREW M4X0.7 L=6				1
23	16562100	WORM GEAR				1
24	SM8050842TP	SETSCREW				1
25	G5418164000	SULLEY				1
26	SM8050602TP	WOOD SCREW				1
27	GBR108590A0	DC MOTOR ASM.				1
28	HD000360000	PHOTO MICRO SENSOR				1
29	SL4031081SC	SCREW M3 X 10				2
30	SM8040402TP	SCREW M4X0.7 L=4				2
31	SM8050842TP	SETSCREW				1
32	16560203	CAM SHAFT COLLAR 2				1
33	SM6062002TP	SCREW M6 L=20				4
34	WS0610002KN	SPRING WASHER 6.1X12.2X1.5				4
35	WP0641600SC	WASHEW 6.4X12.5X1.6				4
36	SM8050602TP	SCREW M5 L=6				1

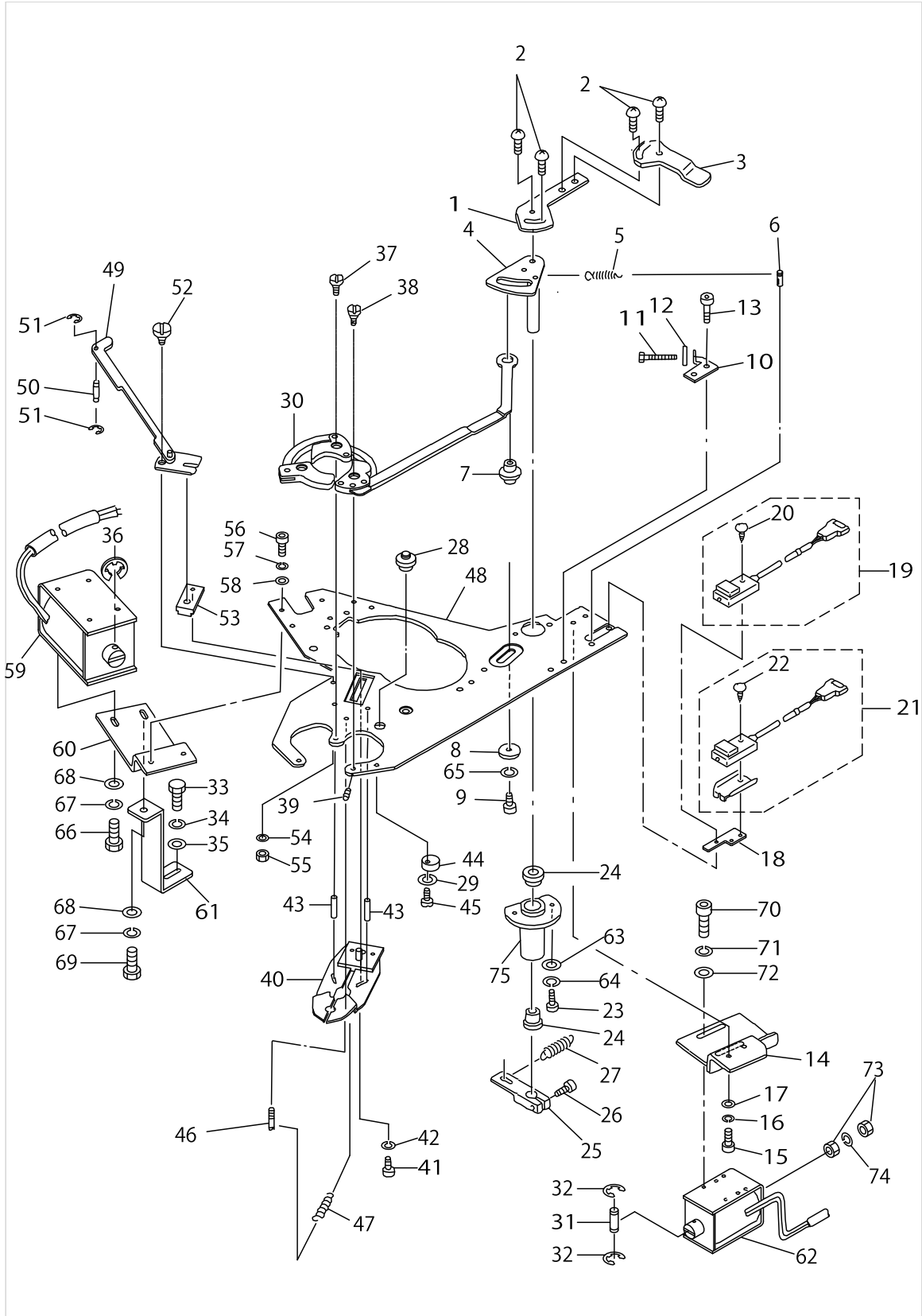
INDEX COMPONENTS (1)



INDEX COMPONENTS (1)

No.	Parts No.	Parts name	Remarks	Level	Cons	Qty
1	16566507	CHECK DOG				1
2	SM0040601SC	SCREW M4X0.7 L=6				4
3	16574105	DOG				1
4	16566002	SPINNER CAM				1
5	16553208	SPRING				1
6	18218909	DW PIN 4*12				1
7	16565707	SHAFT (1)				1
8	B2107816000	WASHER				1
9	SM6041002TP	SCREW M4 L=10				1
10	16566606	STOPPER BKT				1
11	SM8042502TP	SCREW M4X0.7 L=25				1
12	NM6040001SC	NUT M4				1
13	SM6040802TR	SCREW M4X0.7 L=8				2
14	16567000	BRACKET (1)				1
15	SM6041002TP	SCREW M4 L=10				2
16	WS0410002KN	SPRING WASHER				2
17	WP0430800SC	WASHER M4				2
18	16574006	BRACKET				1
19	GBR108440A0	BUTTON SENSOR SWITCH ASM.				1
20	SM0861201SA	SCREW		*		2
21	GBR108430A0	RUB COMPLETION SWITCH ASM.				1
22	SM0861201SA	SCREW		*		1
23	SM6041002TP	SCREW M4 L=10				2
24	16572406	METAL				2
25	16566408	LINK LEVER				1
26	SM6041202TP	SCREW M4X0.7 L=12				1
27	18201608	SPRING, 2				1
28	18218008	SHAFT (2)				1
29	WP0430800SC	WASHER M4				1
30	18202150	CHECK ASM., A				1
31	16557209	PIN				1
32	RE0200000K0	E-RING				2
33	SM6061602TP	SCREW M6 L=16				1
34	WS0610002KN	SPRING WASHER 6.1X12.2X1.5				1
35	WP0641600SC	WASHEW 6.4X12.5X1.6				1
36	RE1200000K0	E-RING 12				1
37	16565400	HING PIN (2)				2
38	16565509	HING PIN (1)				1
39	SM8030402TP	SCREW M3X0.5 L=4				1
40	16567166	SHUTTER PLATE ASM.				1
41	SM6041202TP	SCREW M4X0.7 L=12				1
42	WS0410002KN	SPRING WASHER				1
43	18204107	PIN				2
44	18209502	ECCENTRIC STOPPER				1
45	SM6041202TP	SCREW M4X0.7 L=12				1
46	18219204	DW PIN 4*18				1
47	16554008	SPRING				1

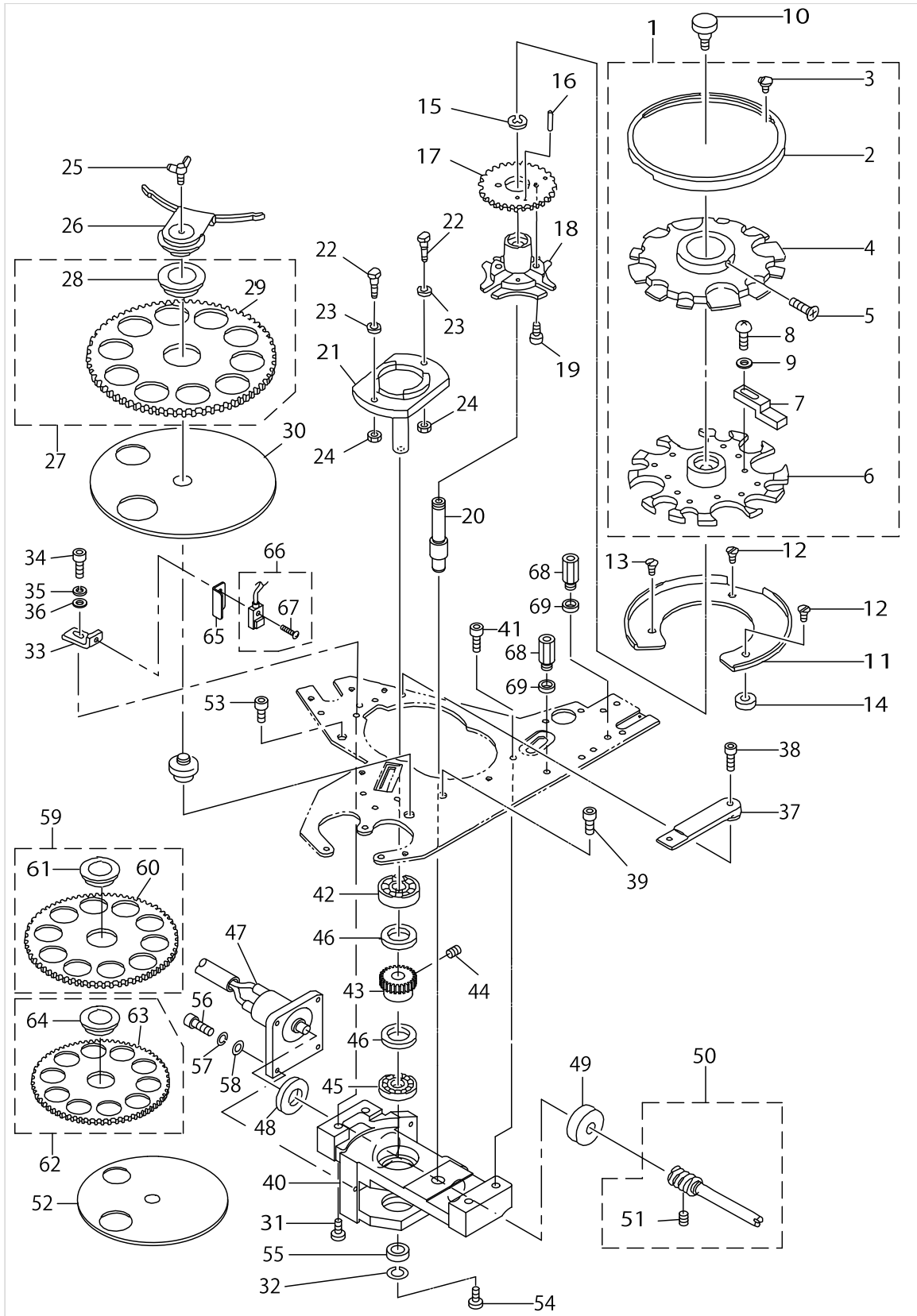
INDEX COMPONENTS (1)



INDEX COMPONENTS (1)

No.	Parts No.	Parts name	Remarks	Level	Cons	Qty
48	18217505	TOP PLATE				1
49	16567802	LINK PLATE				1
50	16572505	PIN				1
51	RE0250000K0	E-RING 2.5				2
52	16567901	HING SCREW				1
53	16573305	SLIDER BLOCK				1
54	WS0410002KN	SPRING WASHER				1
55	NM6040001SC	NUT M4				2
56	SM6041002TP	SCREW M4 L=10				2
57	WS0410002KN	SPRING WASHER				2
58	WP0430800SC	WASHER M4				2
59	GBR10853000	MAGNET				1
60	16568206	BRACKET (2)				1
61	18209403	SUPPORT PLATE				1
62	GBR10854000	MAGNET				1
63	WP0430800SC	WASHER M4				2
64	WS0410002KN	SPRING WASHER				2
65	WS0410002KN	SPRING WASHER				1
66	SM6040802TP	SCREW M4X0.7 L=8				3
67	WS0410002KN	SPRING WASHER				4
68	WP0430800SC	WASHER M4				4
69	SM6041202TP	SCREW M4X0.7 L=12				1
70	SM6040802TP	SCREW M4X0.7 L=8				2
71	WS0410002KN	SPRING WASHER				2
72	WP0430800SC	WASHER M4				2
73	NM6040001SC	NUT M4				2
74	WS0410002KN	SPRING WASHER				1
75	16565905	CUPLING				1

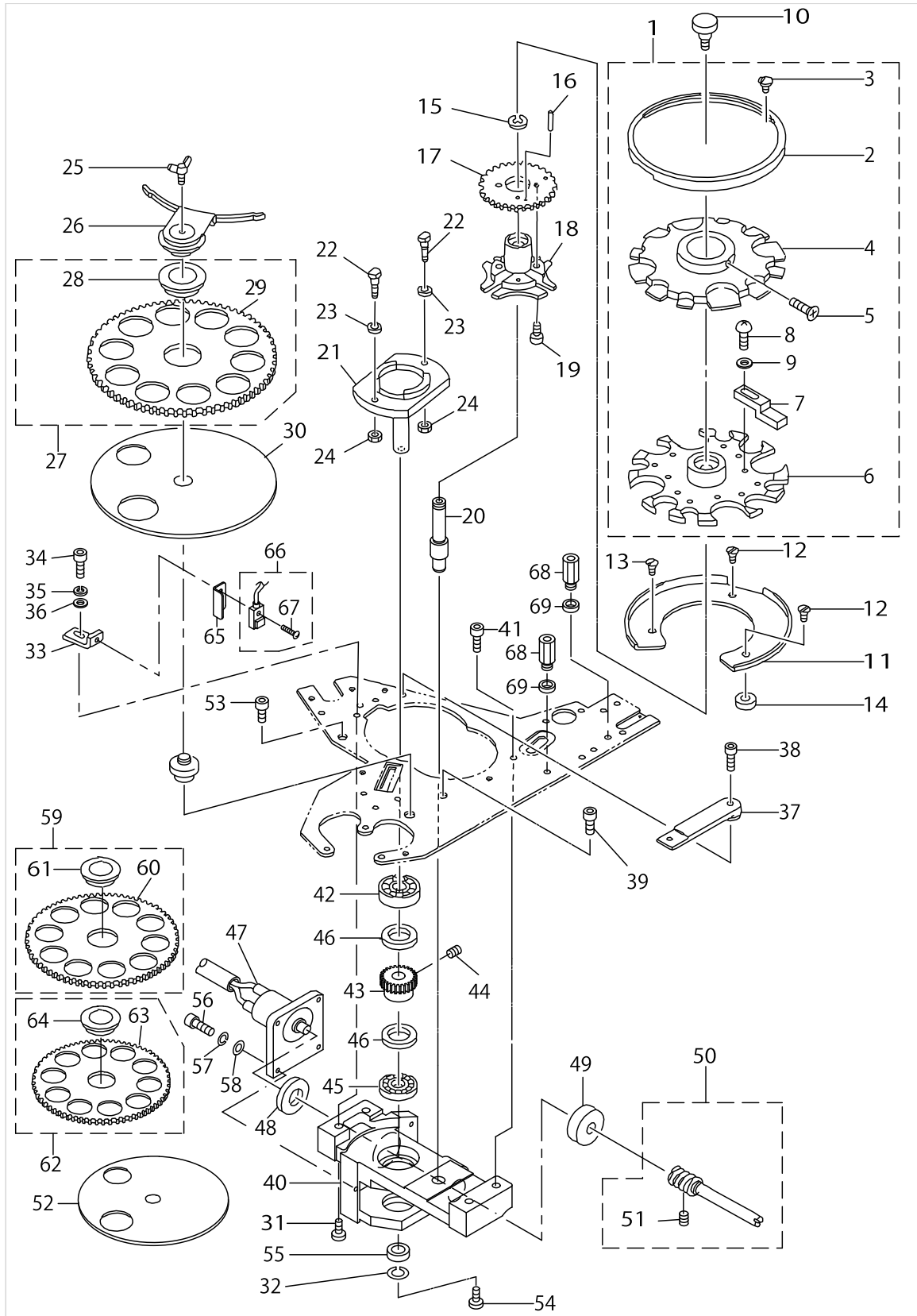
INDEX COMPONENTS (2)



INDEX COMPONENTS (2)

No.	Parts No.	Parts name	Remarks	Level	Cons	Qty
1	18201962	FEED ACROSS PLATE ASM. A				1
2	16573701	RING		*		1
3	SM0040601SC	SCREW M4X0.7 L=6		*		2
4	18203307	ADJUSTING PLATE		*		1
5	SL4030881SC	SCREW M3 L=8		*		1
6	18201905	FEED PLATE A		*		1
7	18202002	BUTTON ADJUST A		*		8
8	SM4860501SC	SCREW M 2.6 X 5		*		8
9	WP0280500SC	WASHER		*		8
10	16573800	SCREW				1
11	16569204	REST				1
12	SM1041201SC	SCREW M4 L=12				2
13	SM1040601SC	SCREW M4X0.7 L=6				1
14	16573008	COLLAR				2
15	16571903	CLIP				1
16	PH0300185S0	PIN				1
17	16569600	GEAR				1
18	16569501	GENEVA				1
19	SM6030802TP	SCREW M3X0.5 L=8				2
20	18219501	DIVIDING MAIN SHAFT				1
21	16570103	WHEEL				1
22	16570202	SCREW				2
23	16570301	COLLAR				2
24	NM6040001SC	NUT M4				2
25	18204503	WING BOLT				1
26	16568909	COVER CAP				1
27	18200352	FEED PLATE CIRCLE 16 ASM.				1
28	16572703	METAL		*		1
29	18200303	FEED PLATE 16		*		1
30	16568404	FERRULE DISC				1
31	SM6052002TP	SCREW M5 L=20				1
32	WS0410002KN	SPRING WASHER				1
33	16570707	SENSOR BRACKET				1
34	SM6040802TR	SCREW M4X0.7 L=8				1
35	WS0410002KN	SPRING WASHER				1
36	WP0430800SC	WASHER M4				1
37	16570905	STAND PLATE (1)				1
38	SM6041202TP	SCREW M4X0.7 L=12				1
39	SM6051202TP	SCREW M5X0.8 L=12				1
40	18219600	GENEVA HOUSE				1
41	SM6051602TP	SCREW M5X0.8 L=16				3
42	SB110000400	BALL BEARING				1
43	16571507	WORM WHEEL				1
44	SM8050842TP	SETSCREW				1
45	16571804	BEARING A				1
46	16573909	THRUST COLLAR				2
47	GBR108560A0	DC MOTOR ASM.				1

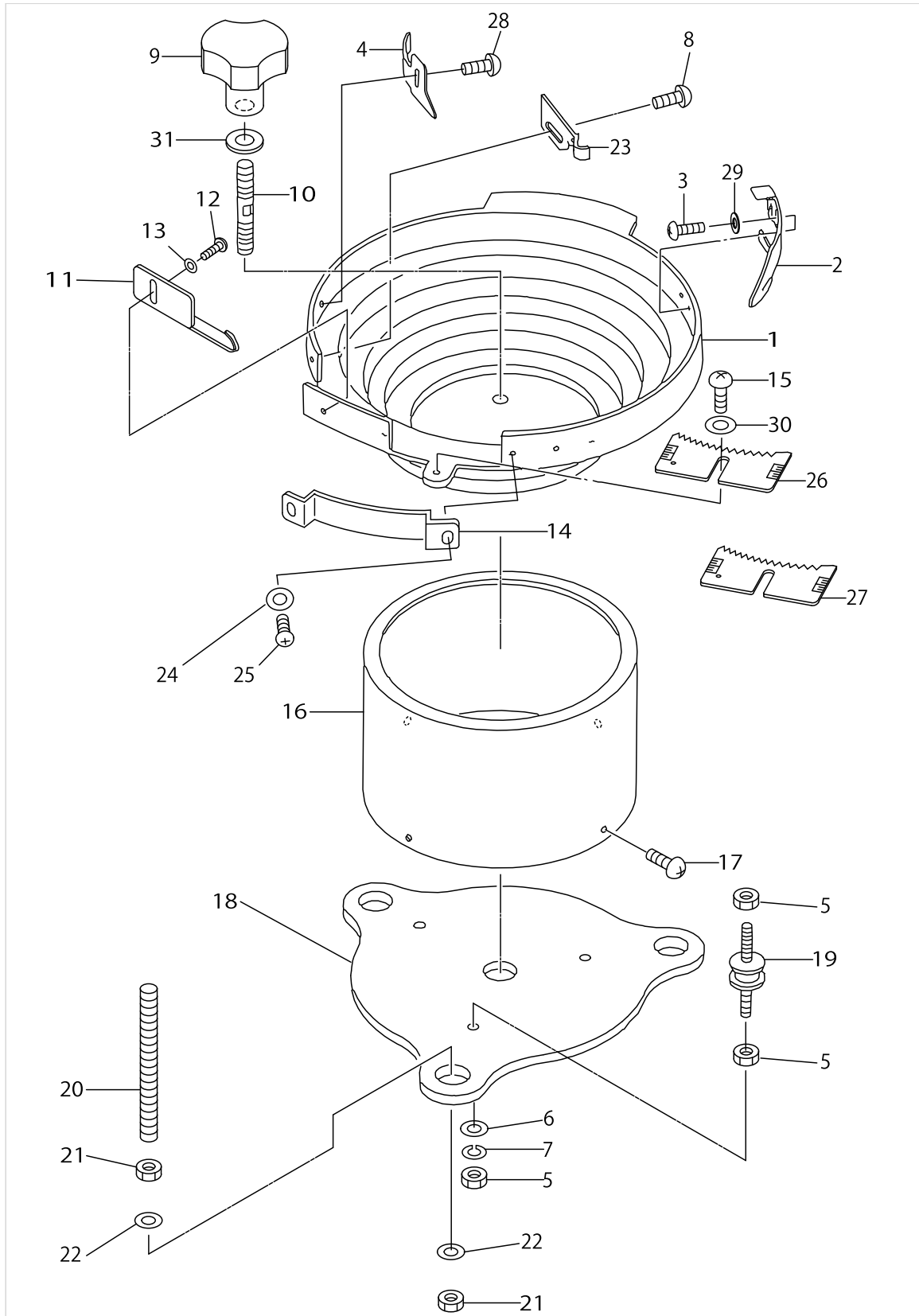
INDEX COMPONENTS (2)



INDEX COMPONENTS (2)

No.	Parts No.	Parts name	Remarks	Level	Cons	Qty
48	16570509	THRUST COLLAR				1
49	16571408	NEEDLE BEARING				1
50	16570657	TURNING SHAFT ASM.				1
51	SM8040402TP	SCREW M4X0.7 L=4		*		2
52	18201103	HOLDING PLATE (SMALL)	OPTIONAL PARTS			1
53	SM6051202TP	SCREW M5X0.8 L=12				1
54	SM6041002TP	SCREW M4 L=10				1
55	B2107816000	WASHER				1
56	SM6030802TP	SCREW M3X0.5 L=8				4
57	WS0310002KN	SPRING WASHER M3				4
58	WP0320500SC	WASHER M3				4
59	16568651	FEED PLATE 22B ASM.	OPTIONAL PARTS			1
60	16568602	FEED PLATE 22B		*		1
61	16572703	METAL		*		1
62	18200956	FEED PLATE CIRCLE 13.5 ASM.	OPTIONAL PARTS			1
63	18200907	FEED PLATE 12.5		*		1
64	16572703	METAL		*		1
65	18212902	SENSOR COVER				1
66	SM0861201SA	SCREW				1
67	GBR108450A0	INDEX STARTING SWITCH ASM.		*		1
68	HX003390000	STUD				2
69	B3052816000	WASHER				2

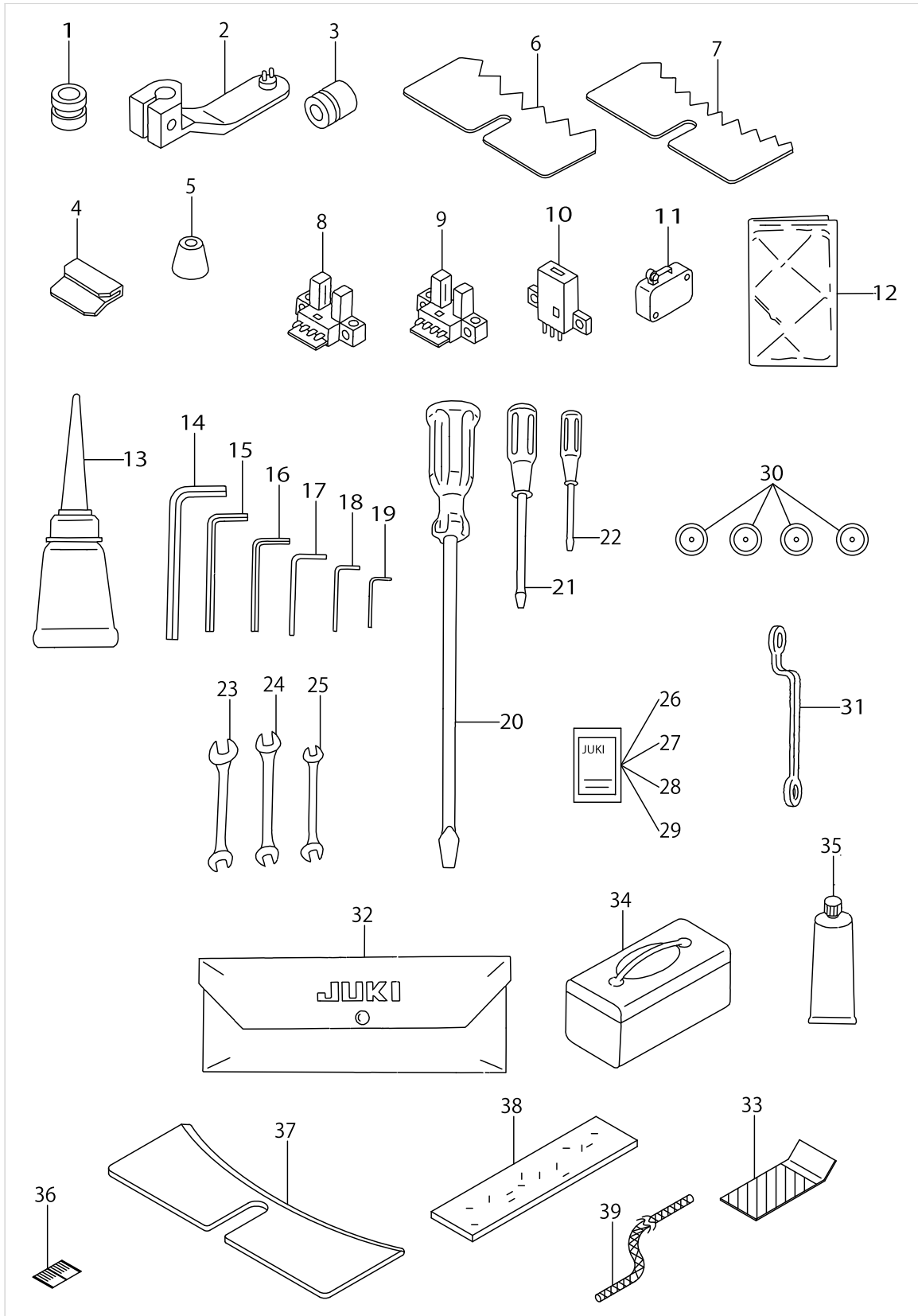
FEEDER BOWL COMPONENTS



FEEDER BOWL COMPONENTS

No.	Parts No.	Parts name	Remarks	Level	Cons	Qty
1	16577009	FEEDER BOWL				1
2	GBR01426000	GUIDE PLATE				1
3	SS4110815SP	SCREW 11/64-40 L=8				2
4	GBR01441000	BUTTON STANDING PREVENT PLATE				1
5	NM6060001SC	NUT M6				9
6	WP0641600SC	WASHEW 6.4X12.5X1.6				3
7	WS0610002KN	SPRING WASHER 6.1X12.2X1.5				3
8	SM0040801SF	SCREW M4X0.7 L=8				1
9	GBR01431000	BOWL FIXING KNOB				1
10	GBR01432000	BOWL FIXING SCREW				1
11	16577504	SELECTOR PLATE				1
12	SM4040801SN	SCREW M4 L=8				1
13	WP0430800SC	WASHER M4				1
14	GBR01428000	GUIDE PLATE				1
15	SM4051001SN	SCREW M5				1
16	16577207	P/F COVER				1
17	SM0040601SC	SCREW M4X0.7 L=6				4
18	16577108	P/F INSTALLING BASE				1
19	GBR01429000A	VIBRATION-PROOF RUBBER				3
20	16577306	MOUNTING BOLT				3
21	NM6080001SC	NUT M8X1.25				6
22	16577405	WASHER				6
23	18202408	BUTTON GUIDE A				1
24	WP0320500SC	WASHER M3				2
25	SM4030601SN	SCREW M3 X 6				2
26	GBR014220A0	SELECTION PLATE ASM. (SMALL)	OPTIONAL PART			1
27	18251553	SELECTION PLATE ASM. (VERY SMA				1
28	SM4040801SN	SCREW M4 L=8				1
29	WP0450801SD	WASHER 4.5X10X0.8				2
30	WP0531000SC	WASHER 5.3X10X1				1
31	WP0841601SC	WASHER 8.4X17.4X1.6				1

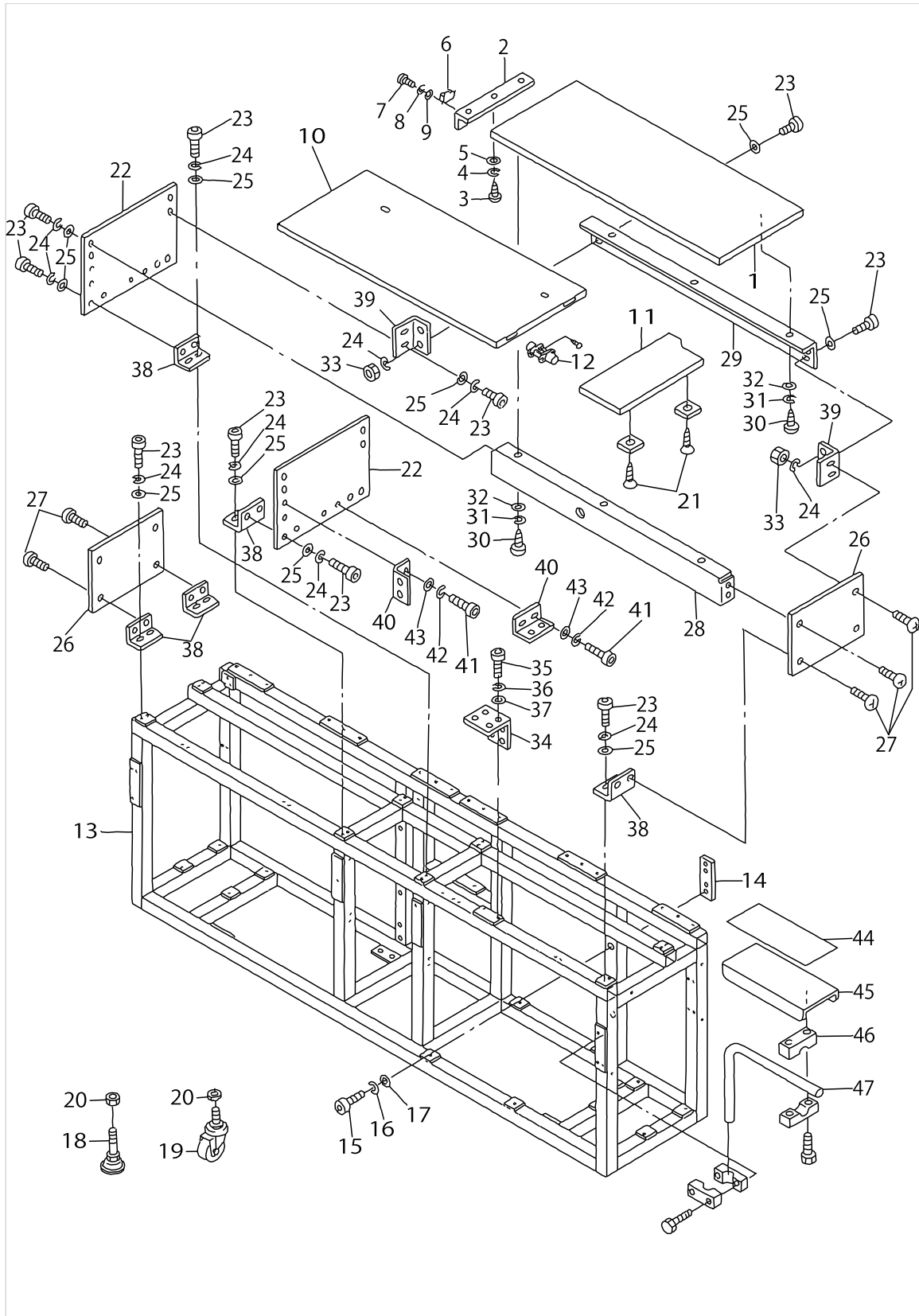
ACCESSORIES COMPONENTS



ACCESSORIES COMPONENTS

No.	Parts No.	Parts name	Remarks	Level	Cons	Qty
1	18200501	WORK ATTACHMENT (SMALL)				3
2	16558009	BUTTON CARRIER B				1
3	16558108	RING, SMALL				1
4	G5135164000	WOMAN GAUGE				1
5	G5138161000	RUBBER CAP				1
6	GBR01423000	SELECTOR PLATE, MEDIUM				1
7	GBR01422000	SELECTOR PLATE, SMALL				1
8	HD000830000	PHOTO SENSOR				1
9	HD000670000	SENSOR				1
10	HD000840000	PHOTO SENSOR				1
11	HA000830000	MICROSWITCH				1
12	B9118232000	VINYL COVER				1
13	B91210120A0	OILER ASM.				1
14	B9142372000	HEXAGONAL WRENCH (7.1X8.1)				1
15	GCT02906000	HEXAGONAL SPANNER				1
16	D9101L9SB00	HEXAGONAL BAR SPANNER				1
17	B9141372000	HEXAGONAL WRENCH, LARGE				1
18	GCT02904000	SPANNER				1
19	GCT02905000	SPANNER				1
20	B9109555000	SCREW DRIVER, LARGE				1
21	B9110012000	SCREW DRIVER, MIDDLE				1
22	B9111012000	SCREW DRIVER, SMALL				1
23	B9112012000	WRENCH (11X14)				1
24	B9113012000	WRENCH (9X10)				1
25	B9143372000	WRENCH (7.1 X 8.1)				1
26	MDP170B1404	NEEDLE DPX17 #14 (285-521)	SELECTIVE PARTS			1
27	MDP170B1604	NEEDLE DPX17 #16-4EA.	SELECTIVE PARTS			1
28	MC372000905	NEEDLE SY3355 90-5	SELECTIVE PARTS			1
29	MC372001005	NEEDLE SY3355 100-5	SELECTIVE PARTS			1
30	13812102	BOBBIN				4
31	13533203	WRENCH				1
32	B9101552000	ACCESSORY BOX				1
33	G5139164000	EXTENSION PLATE				3
34	B8601WP10A0	TOOL BOX ASM.				1
35	13525506	GREASE TUBE				1
36	18204701	SCALE				4
37	GBR01437000	AUXILIARY PLATE				1
38	18250407	SANDER (CLOTH)				3
39	18250506	SANDER (CORD)				2

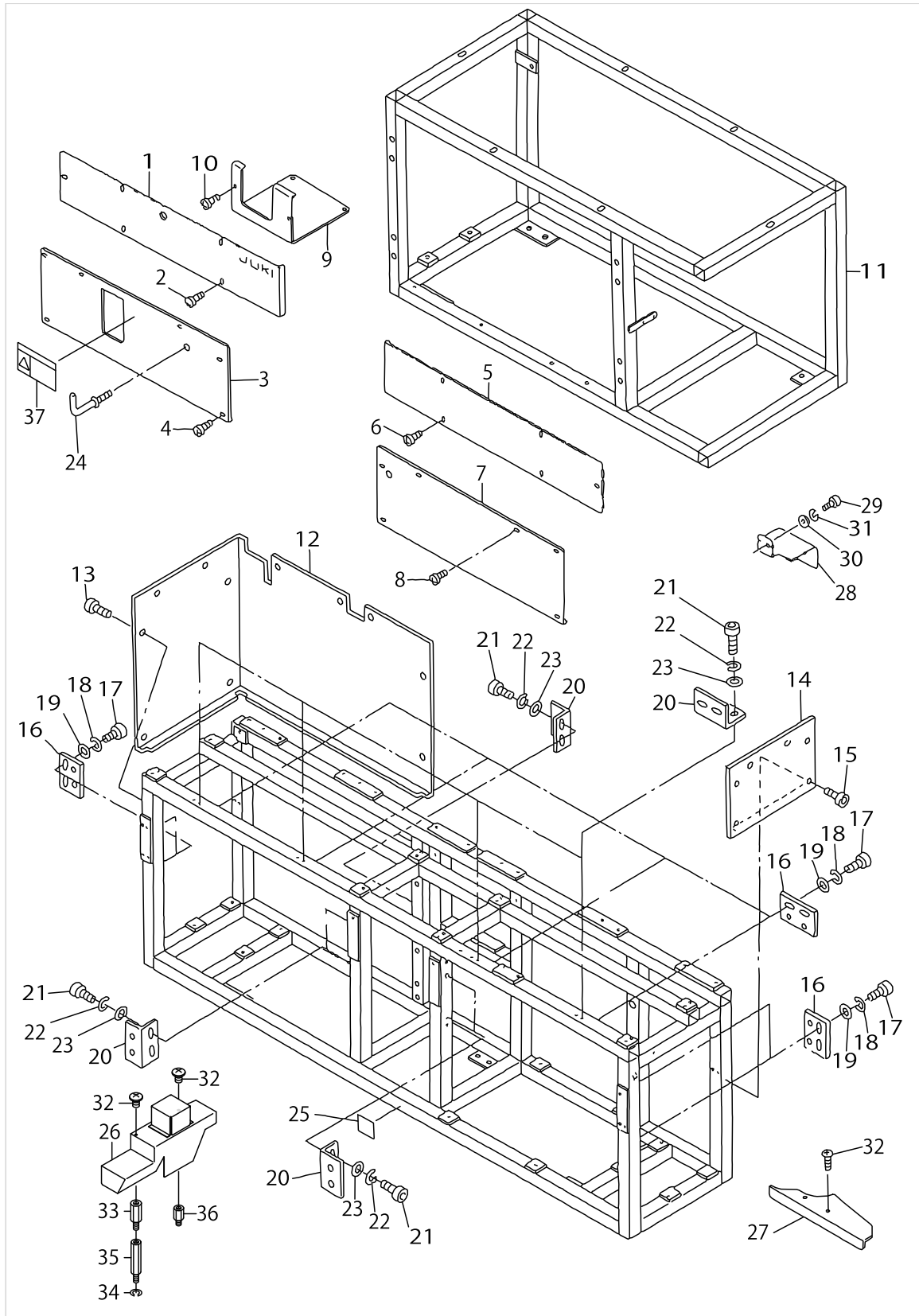
FRAME COMPONENTS



FRAME COMPONENTS

No.	Parts No.	Parts name	Remarks	Level	Cons	Qty
1	G5016164000	TABLE, RIGHT				1
2	G5018164000	BRACKET				1
3	SK3381601SC	WOOD SCREW D=3.8 L=16				3
4	WS0410002KN	SPRING WASHER				3
5	WP0430801SC	WASHER 4.3X9X0.8				3
6	G5045164000	MAGNET CATCH				2
7	SM6030602TP	SCREW M3X0.5 L=6				4
8	WS0310002KN	SPRING WASHER M3				4
9	WP0320501SC	WASHER M3				4
10	G5015164000	TABLE, LEFT				1
11	G5017164A00	MOVABLE TABLE				1
12	G5020164000	HINGE				2
13	G5001164000	BASE FRAME				1
14	G5041164000	CONNECTING PLATE				4
15	SM6082002TN	SCREW M8 L=20				16
16	WS0820002KN	SPRING WASHER M8				16
17	WP0841601SC	WASHER 8.4X17.4X1.6				16
18	G5033172000	ADJUSTER				4
19	G5032164000	CASTER				6
20	NM6160001SC	NUT				10
21	SK1271301SC	WOOD SCREW				2
22	G5002164000	TABLE SUPPORT PLATE INNER				2
23	SM6061202TP	SCREW M6 L=12				36
24	WS0610002KN	SPRING WASHER 6.1X12.2X1.5				36
25	WP0641601SC	WASHER				36
26	G5003164000	TABLE SUPPORT PLATE OUTER				2
27	SM0060801SA	SCREW				8
28	G5004164000	TABLE SUPPORT, FRONT				2
29	G5005164000	TABLE SUPPORT, REAR				2
30	SK3381601SC	WOOD SCREW D=3.8 L=16				12
31	WS0410002KN	SPRING WASHER				12
32	WP0430801SC	WASHER 4.3X9X0.8				12
33	NM6060001SC	NUT M6				4
34	G5028164000	INSTALLING PLATE				1
35	SM6061202TP	SCREW M6 L=12				2
36	WS0610002KN	SPRING WASHER 6.1X12.2X1.5				2
37	WP0641601SC	WASHER				2
38	G5038171000	SIDE PLATE SUPPORT				8
39	G5045171000	SIDE PLATE HOLDER				4
40	G5034171000	COVER SUPPORT				14
41	SM6040802TP	SCREW M4X0.7 L=8				28
42	WS0410002KN	SPRING WASHER				28
43	WP0430801SC	WASHER 4.3X9X0.8				28
44	G5022164000	CUSHION				1
45	G5021164000	CLOTH TABLE				1
46	B1141229000	OPERATION BOX STRUT CLAMP				4
47	G5023164000	STAY				1

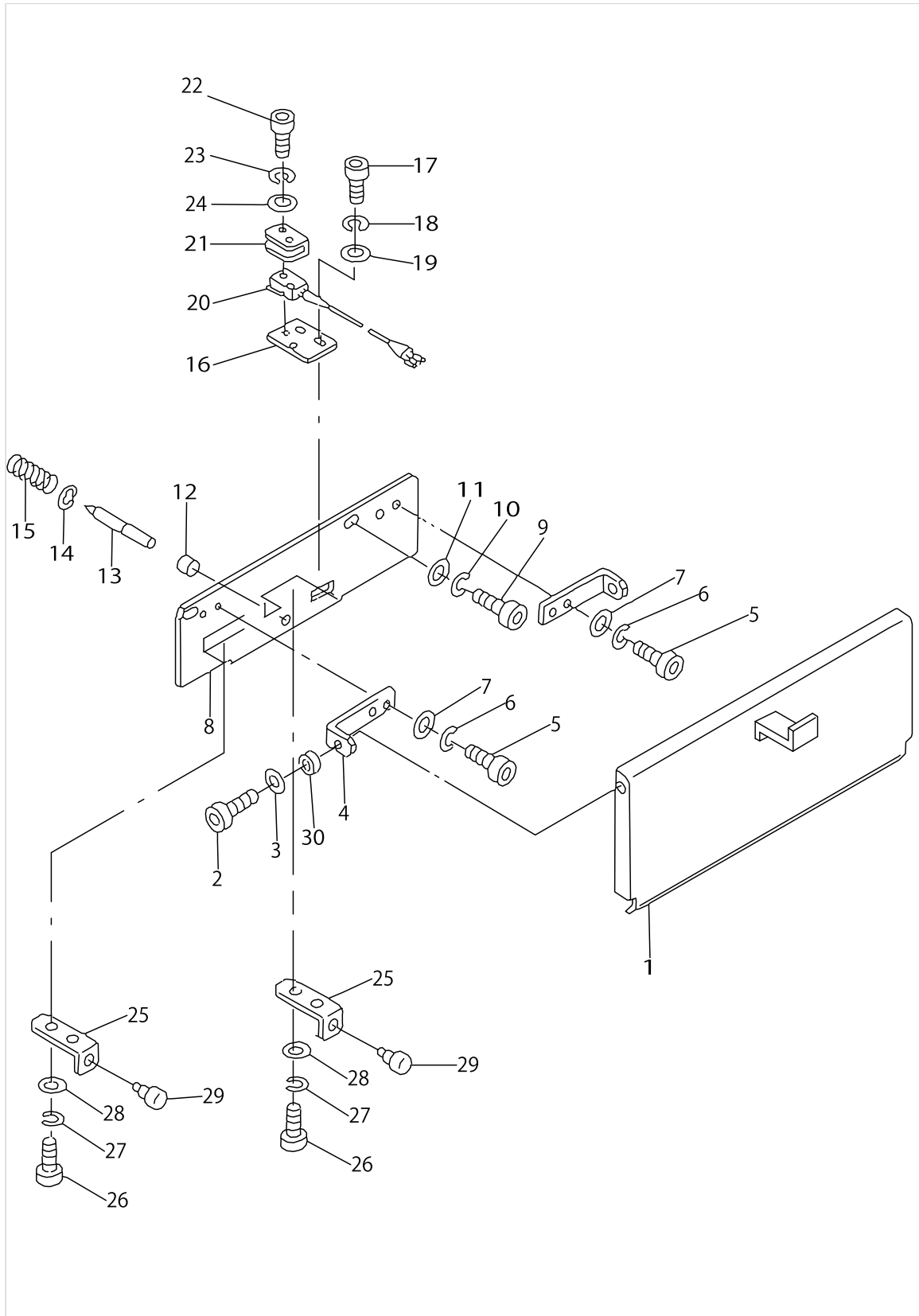
COVER COMPONENTS



COVER COMPONENTS

No.	Parts No.	Parts name	Remarks	Level	Cons	Qty
1	G5034164000	RIGHT UPPER COVER				1
2	SM0040601SA	SCREW				5
3	G5036164000	RIGHT LOWER COVER				1
4	SM0040601SA	SCREW				6
5	G5033164000	LEFT UPPER COVER				1
6	SM0040601SA	SCREW				5
7	G5035164000	LEFT LOWER COVER				1
8	SM0040601SA	SCREW				6
9	G5039164A00	MIDDLE COVER				1
10	SM0040601SA	SCREW				2
11	G5401164A00	MACHINE BASE				1
12	G5037164000	LEFT SIDE COVER				1
13	SM0040601SA	SCREW				11
14	G5038164000	RIGHT SIDE COVER				1
15	SM0040601SA	SCREW				6
16	G5040164000	COVER SUPPORT, B				8
17	SM6040802TP	SCREW M4X0.7 L=8				16
18	WS0410002KN	SPRING WASHER				16
19	WP0430801SC	WASHER 4.3X9X0.8				16
20	G5034171000	COVER SUPPORT				14
21	SM6040802TP	SCREW M4X0.7 L=8				28
22	WS0410002KN	SPRING WASHER				28
23	WP0430801SC	WASHER 4.3X9X0.8				28
24	G5026162000	HOOK				1
25	16870206	GRAVITY SEAL				1
26	18228007	COVER				1
27	18222604	FRONT COVER A				1
28	16586307	COVER,REAR				1
29	SM6041002TP	SCREW M4 L=10				2
30	WP0430800SC	WASHER M4				2
31	WS0410002KN	SPRING WASHER				2
32	SM0040601SA	SCREW				2
33	18228106	SPACER B				1
34	WS0410002KN	SPRING WASHER				1
35	HX00339000B	BOARD PARTS				1
36	HX003390000	STUD				1
37	CM300200202	SAFETY LABEL 2 (LARGE)	FOR JAPAN			1

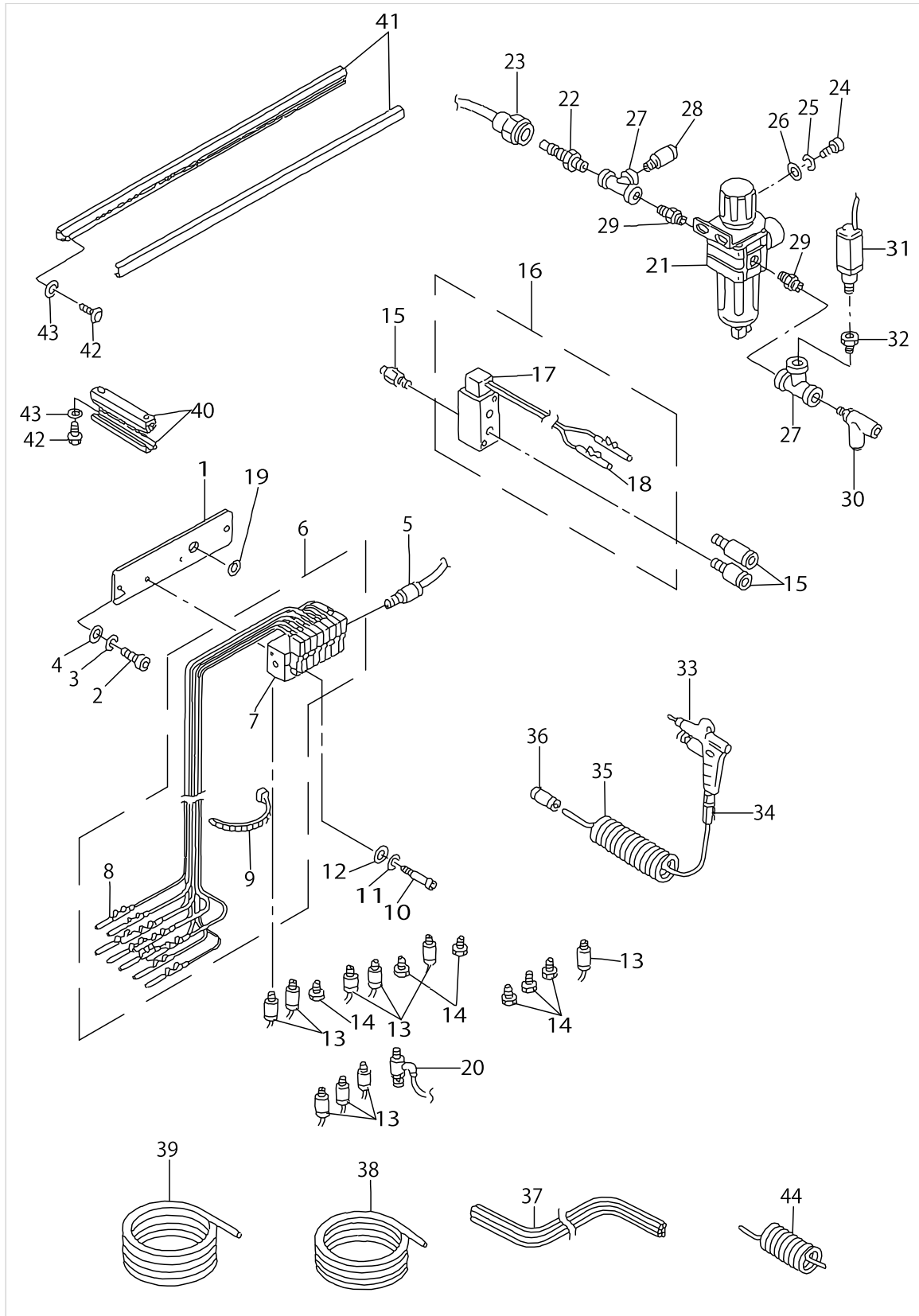
COVER & KNEE SWITCH COMPONENTS



COVER & KNEE SWITCH COMPONENTS

No.	Parts No.	Parts name	Remarks	Level	Cons	Qty
1	G5025164000	START SWITCH PLATE				1
2	SM6061202TP	SCREW M6 L=12				2
3	WP0641601SC	WASHER				2
4	G5027164000	START SWITCH SHAFT PLATE				2
5	SM6040802TP	SCREW M4X0.7 L=8				4
6	WS0410002KN	SPRING WASHER				4
7	WP0430801SC	WASHER 4.3X9X0.8				4
8	G5024164000	INSTALLING PLATE				1
9	SM6061202TP	SCREW M6 L=12				2
10	WS0610002KN	SPRING WASHER 6.1X12.2X1.5				2
11	WP0641601SC	WASHER				2
12	G5138161000	RUBBER CAP				1
13	G5026164000	START SWITCH ROD				1
14	RE0400000K0	E-RING 4				1
15	G5019171000	SPRING				1
16	G5020171000	SWITCH HOLDER				1
17	SM6040802TP	SCREW M4X0.7 L=8				2
18	WS0410002KN	SPRING WASHER				2
19	WP0430801SC	WASHER 4.3X9X0.8				2
20	G61041640A0	START SW ASM.				1
21	MAO11602N00	MICRO-SWITCH COVER				1
22	SM6031602TP	SCREW				2
23	WS0310002KN	SPRING WASHER M3				2
24	WP0320501SC	WASHER M3				2
25	G5009162000	STOPPER PLATE				2
26	SM6040802TP	SCREW M4X0.7 L=8				4
27	WS0410002KN	SPRING WASHER				4
28	WP0430801SC	WASHER 4.3X9X0.8				4
29	G5021171000	RUBBER CUSHION				2
30	B2544280000	WASHER, FOR WORK CLAMP FOOT HO				2

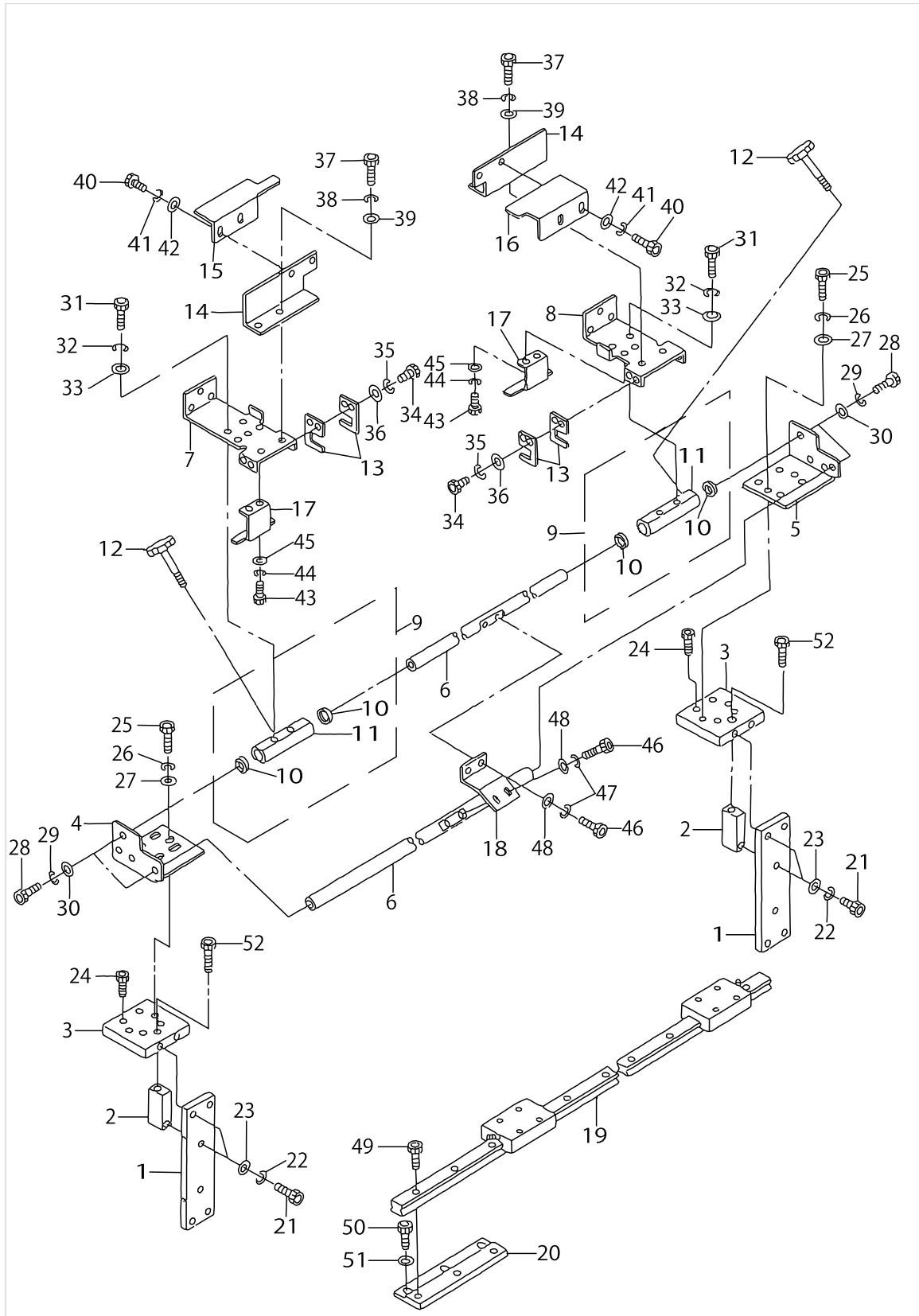
SOLENOID VALVE & REGULATOR COMPONENTS



SOLENOID VALVE & REGULATOR COMPONENTS

No.	Parts No.	Parts name	Remarks	Level	Cons	Qty
1	G5029164000	SOLENOID VALVE PLATE				1
2	SM6061202TP	SCREW M6 L=12				2
3	WS0610002KN	SPRING WASHER 6.1X12.2X1.5				2
4	WP0641601SC	WASHER				2
5	PJ301065103	HALF UNION 6XPT1/8				1
6	G64011640A0	SOLENOID VALVE ASM. (1)				1
7	PV1551080A0	SOLENOID VALVE		*		1
8	HK03464000A	TERMINAL, FEMALE		*		16
9	EA9500B0100	CABLE BAND		*		2
10	SM6033052TP	SCREW				2
11	WS0310002KN	SPRING WASHER M3				2
12	WP0320501SC	WASHER M3				2
13	PJ301040504	JOINTING				10
14	PJ020500001	PLUG				6
15	PJ301065103	HALF UNION 6XPT1/8				3
16	G64021640A0	SOLENOID VALVE ASM. (2)				1
17	PV1551070A0	SOLENOID VALVE		*		1
18	HK03464000A	TERMINAL, FEMALE		*		2
19	HX00055000J	RUBBER BUSHING				1
20	PC010514000	SPEED CONTROLLER				1
21	PF0552090A0	REGULATOR ASM.				1
22	PJ309005203	QUICK JOINT PLUG				1
23	PJ309005201	PLUG				1
24	SM6061202TP	SCREW M6 L=12				2
25	WS0610002KN	SPRING WASHER 6.1X12.2X1.5				2
26	WP0641601SC	WASHER				2
27	PJ050525201	TEE				2
28	PJ301065201	HALF UNION 6XPT1/4				1
29	PJ030520001	RING JOINT (NIPPLE)				2
30	PJ305065201	TEE UNION				1
31	G61071640A0	AIR PRESSURE SENSOR SW ASM.				1
32	PJ015251001	BUSHING				1
33	16111403	AIR GUN				1
34	16111502	SOCKET				1
35	G5458116000	CURLED TUBE				1
36	PJ303060001	STRAIGHT UNION				1
37	G5841270000	TUBE				5
38	BT0600401EB	TUBE				5
39	BT0400251EB	URETHANE HOSE, BLACK				3
40	G6801164000	DUCT, A				2
41	G6802164000	DUCT, B				1
42	SL4041081SF	SCREW M4 L=10				6
43	WP0450801SD	WASHER 4.5X10X0.8				6
44	G5046164000	TUBE				1

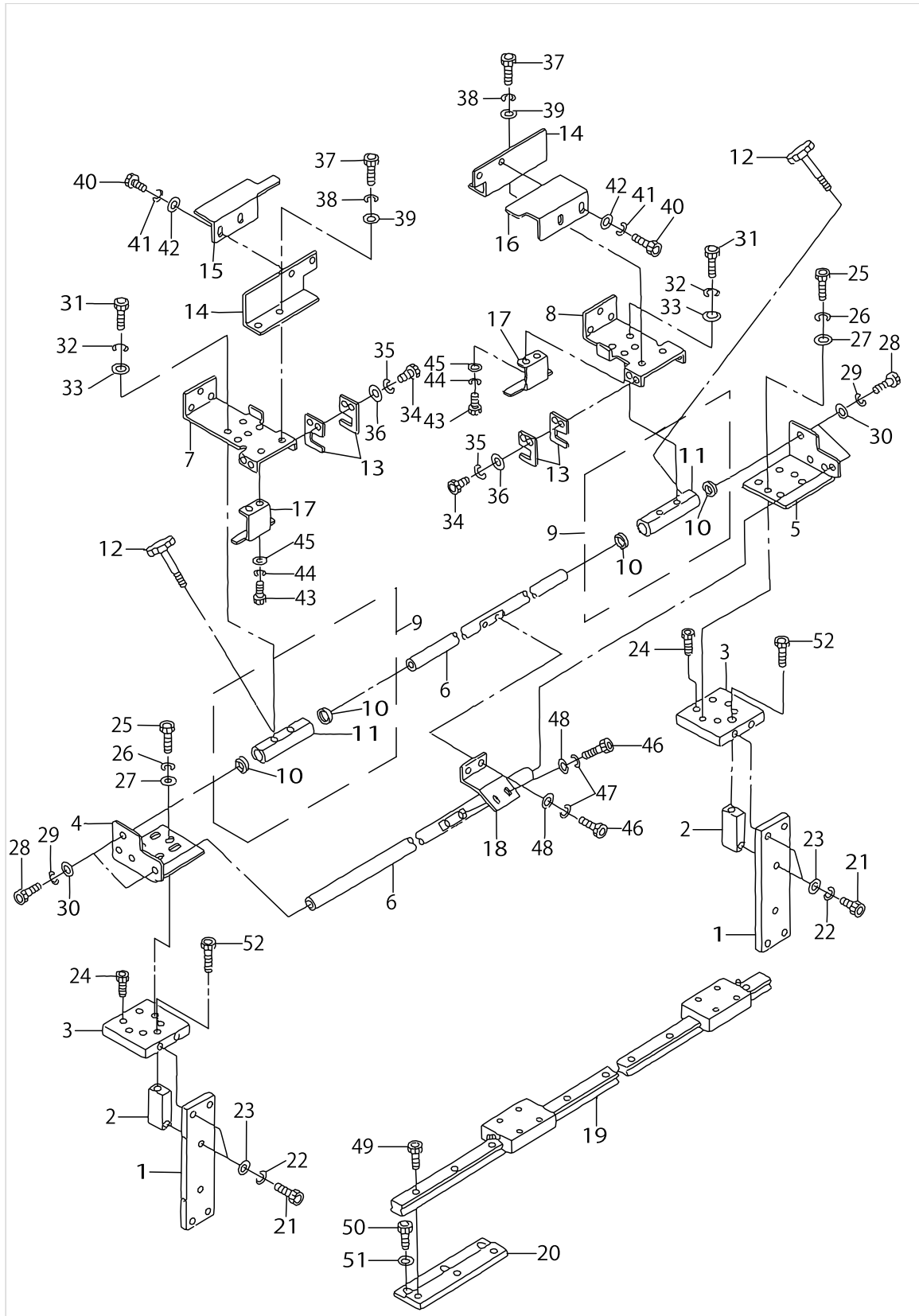
FEED MECHANISM COMPONENTS



FEED MECHANISM COMPONENTS

No.	Parts No.	Parts name	Remarks	Level	Cons	Qty
1	G5103164000	STAND				2
2	G5104164000	STAND SUPPORT				2
3	G5105164000	LM BASE				2
4	G5106164000	SLIDER SHAFT SUPPORT, LEFT				1
5	G5107164000	SLIDER SHAFT SUPPORT, RIGHT				1
6	G5108164000	SLIDER SHAFT				2
7	G5109164000	FEEDER MAIN FRAME				1
8	G5110164000	FEEDER MAIN FRAME, RIGHT				1
9	G51111640A0	SLIDER SHAFT BLOCK ASM.				2
10	G5113164000	BUSH		*		4
11	G5112164000	SLIDER SHAFT BLOCK		*		2
12	G5114164000	BUSH				2
13	G5115164000	FIXED PLATE				4
14	G5120164000	PLATE SUPPORT				2
15	G5121164000	CLAMP PLATE, LEFT				1
16	G5122164000	CLAMP PLATE, RIGHT				1
17	G5123164000	SENSOR PLATE				2
18	G5134164000	COUPLING PLATE				1
19	G5010164000	FEED RAIL				1
20	G5009164000	FEED RAIL SUPPORT PLATE				6
21	SM6062002TP	SCREW M6 L=20				6
22	WS0610002KN	SPRING WASHER 6.1X12.2X1.5				6
23	WP0641601SC	WASHER				6
24	SM6051202TP	SCREW M5X0.8 L=12				8
25	SM6061202TP	SCREW M6 L=12				4
26	WS0610002KN	SPRING WASHER 6.1X12.2X1.5				4
27	WP0641601SC	WASHER				4
28	SM6061602TP	SCREW M6 L=16				4
29	WS0610002KN	SPRING WASHER 6.1X12.2X1.5				4
30	WP0641601SC	WASHER				4
31	SM6061002TP	SCREW M6 L=10				4
32	WS0610002KN	SPRING WASHER 6.1X12.2X1.5				4
33	WP0641601SC	WASHER				4
34	SM6041002TP	SCREW M4 L=10				4
35	WS0410002KN	SPRING WASHER				4
36	WP0430801SC	WASHER 4.3X9X0.8				4
37	SM6040802TP	SCREW M4X0.7 L=8				4
38	WS0410002KN	SPRING WASHER				4
39	WP0430801SC	WASHER 4.3X9X0.8				4
40	SM6040802TP	SCREW M4X0.7 L=8				4
41	WS0410002KN	SPRING WASHER				4
42	WP0430801SC	WASHER 4.3X9X0.8				4
43	SM6040802TP	SCREW M4X0.7 L=8				4
44	WS0410002KN	SPRING WASHER				4
45	WP0430801SC	WASHER 4.3X9X0.8				4
46	SM6061202TP	SCREW M6 L=12				4
47	WS0610002KN	SPRING WASHER 6.1X12.2X1.5				4

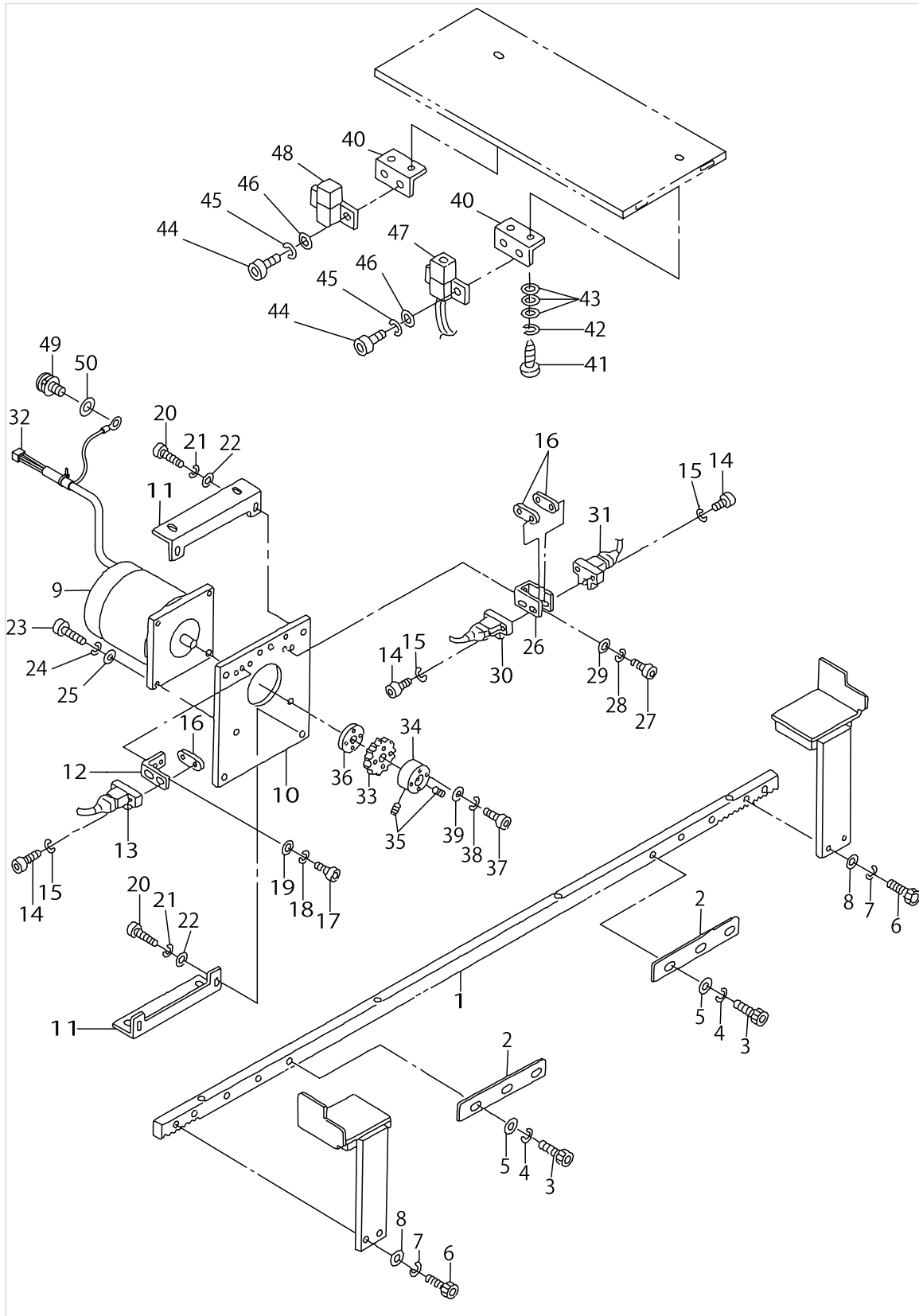
FEED MECHANISM COMPONENTS



FEED MECHANISM COMPONENTS

No.	Parts No.	Parts name	Remarks	Level	Cons	Qty
48	WP0641601SC	WASHER				4
49	SM6051202TP	SCREW M5X0.8 L=12				18
50	SM6051202TP	SCREW M5X0.8 L=12				18
51	WP0621016SH	WASHER				18
52	SM6062002TP	SCREW M6 L=20				2

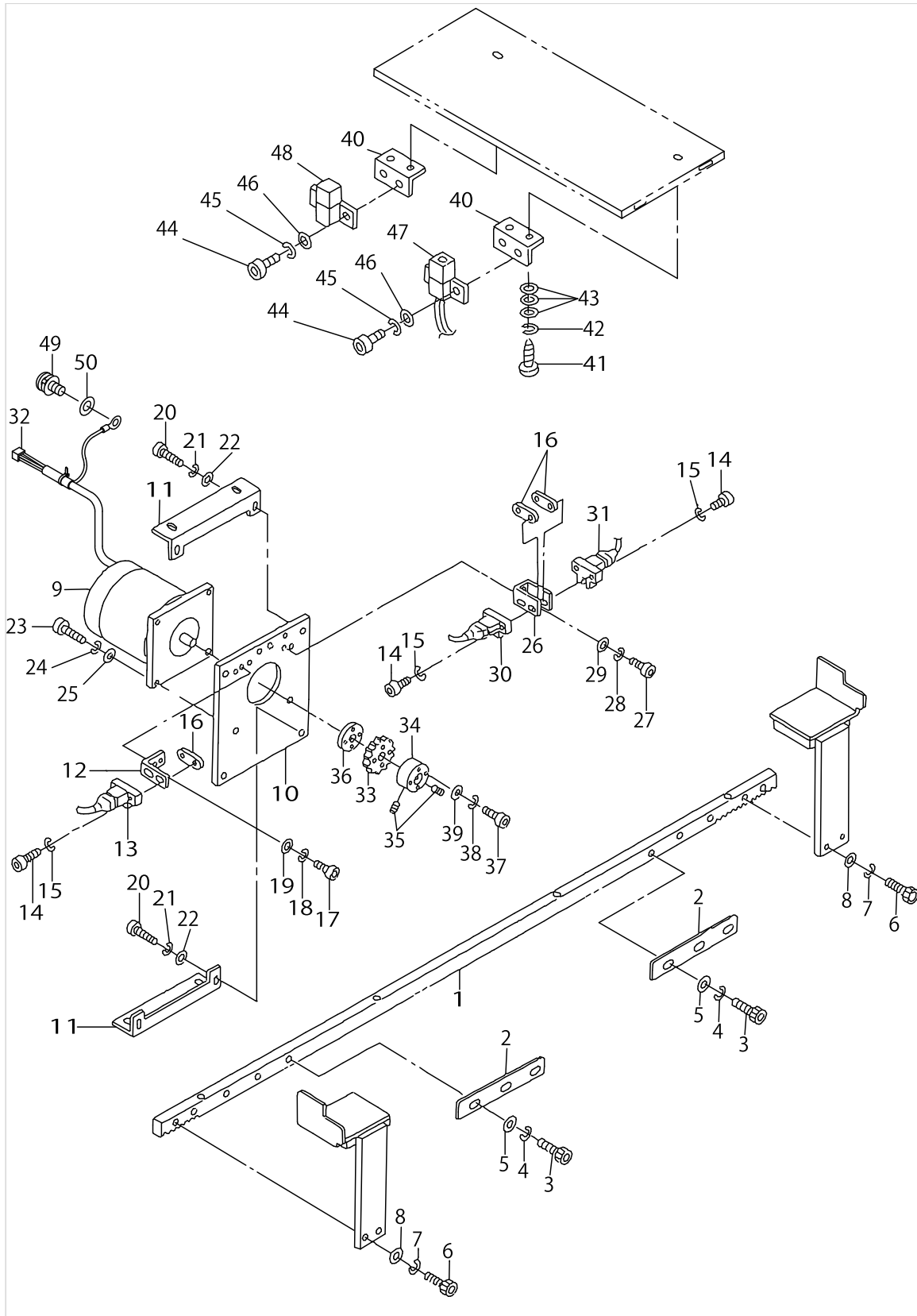
FEED MECHANISM DRIVE & SWITCH COMPONENTS



FEED MECHANISM DRIVE & SWITCH COMPONENTS

No.	Parts No.	Parts name	Remarks	Level	Cons	Qty
1	G5101164000	RACK				1
2	G5102164000	ORIGINAL POINT SENSOR PLATE				2
3	SM6040802TP	SCREW M4X0.7 L=8				6
4	WS0410002KN	SPRING WASHER				6
5	WP0430801SC	WASHER 4.3X9X0.8				6
6	SM6062002TP	SCREW M6 L=20				4
7	WS0610002KN	SPRING WASHER 6.1X12.2X1.5				4
8	WP0641601SC	WASHER				4
9	HM000570000	STEPPING MOTOR				1
10	G5012164000	PM INSTALLING PLATE				1
11	G5011164000	PM FIXED BASE				2
12	G5013164000	SENSOR INSTALLING PLATE				1
13	G61021640A0	SPEED TRANSMISSION SENSOR SW				1
14	SM6031502TP	SCREW M3 X 15				6
15	WS0310002KN	SPRING WASHER M3				6
16	G5153171000	SENSOR PLATE				3
17	SM6040802TP	SCREW M4X0.7 L=8				2
18	WS0410002KN	SPRING WASHER				2
19	WP0430801SC	WASHER 4.3X9X0.8				2
20	SM6061202TP	SCREW M6 L=12				4
21	WS0610002KN	SPRING WASHER 6.1X12.2X1.5				4
22	WP0641601SC	WASHER				4
23	SM6082502TN	BOLT				4
24	WS0820002KN	SPRING WASHER M8				4
25	WP0841601SC	WASHER 8.4X17.4X1.6				4
26	G5014164000	SENSOR INSTALLING PLATE				1
27	SM6040802TP	SCREW M4X0.7 L=8				2
28	WS0410002KN	SPRING WASHER				2
29	WP0430801SC	WASHER 4.3X9X0.8				2
30	G61011640A0	HOME POSITION SENSOR SW ASM.				1
31	G61031640A0	DISCRIMINATION SW ASM.				1
32	G65021640A0	PULCE MOTOR CORD ASM.				1
33	G5109171000	FEED BLOCK GEAR				1
34	G5110171000	BOSS				1
35	SM8060802TP	SCREW M6 L=8				2
36	G5111171000	GEAR HOLDER				1
37	SM6033052TP	SCREW				4
38	WS0310002KN	SPRING WASHER M3				4
39	WP0320501SC	WASHER M3				4
40	G5019164000	SENSOR INSTALLING PLATE				2
41	SK3311301SA	WOOD SCREW D=3.1 L=13				4
42	WS0410002KN	SPRING WASHER				4
43	WP0430801SC	WASHER 4.3X9X0.8				12
44	SM6030802TP	SCREW M3X0.5 L=8				4
45	WS0310002KN	SPRING WASHER M3				4
46	WP0320501SC	WASHER M3				4
47	G61101640A0	CLOTH EDGE SENSOR 1 ASM.				1

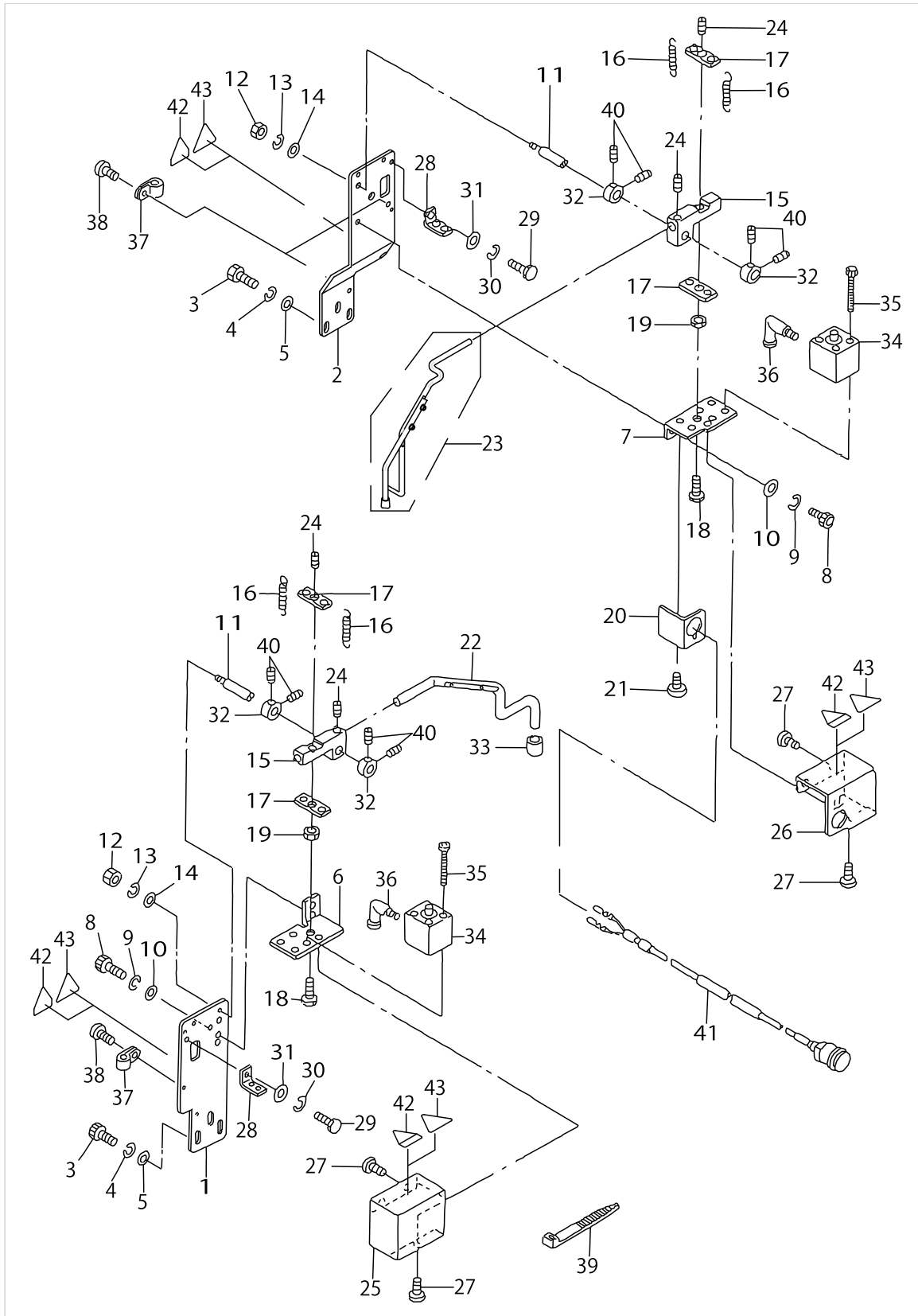
FEED MECHANISM DRIVE & SWITCH COMPONENTS



FEED MECHANISM DRIVE & SWITCH COMPONENTS

No.	Parts No.	Parts name	Remarks	Level	Cons	Qty
48	G61111640A0	CLOTH EDGE SENSOR 2 ASM.				1
49	SL4041081SF	SCREW M4 L=10				1
50	WT0430001KN	TOOTHED WASHER				1

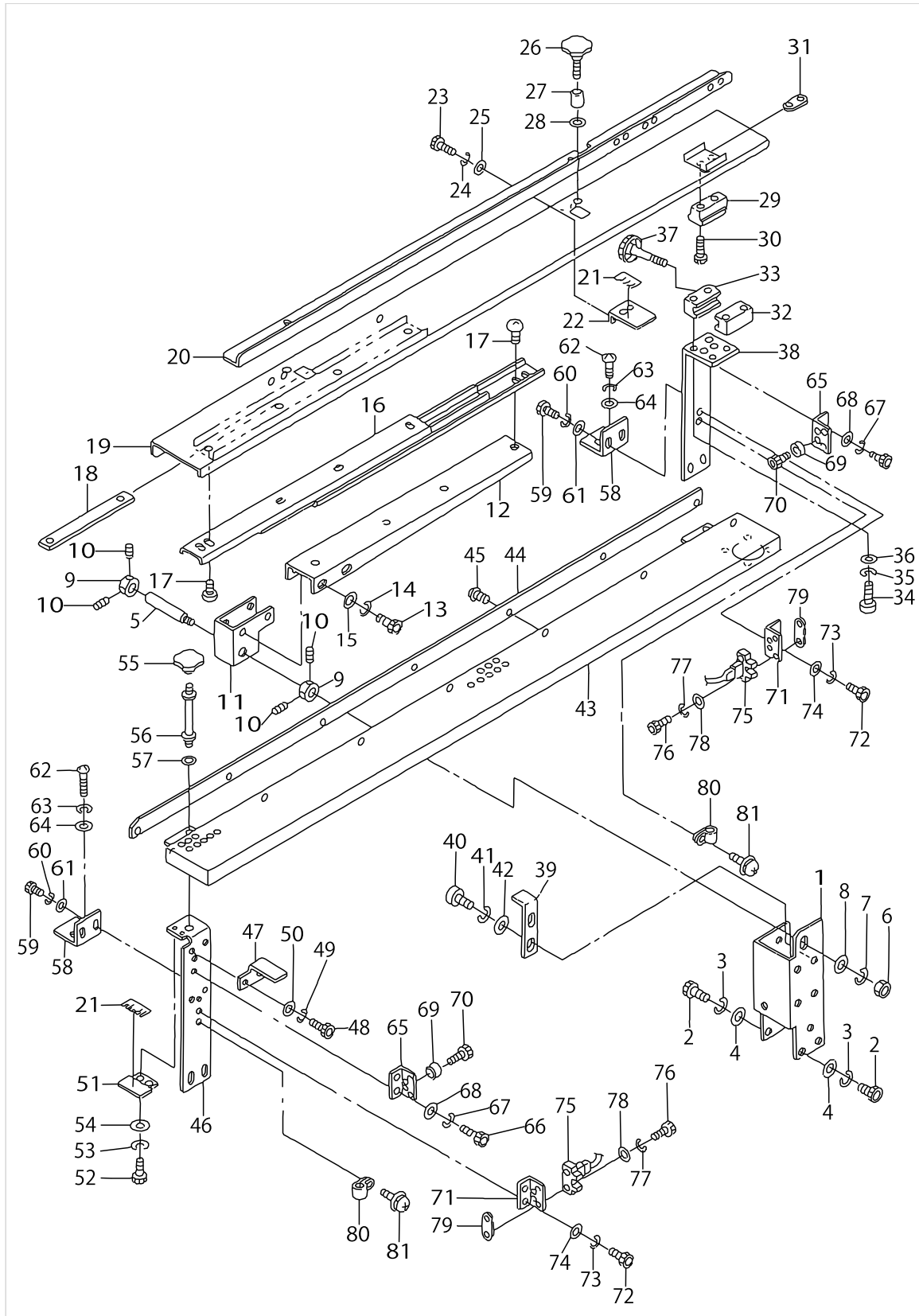
CLAMP ARM COMPONENTS



CLAMP ARM COMPONENTS

No.	Parts No.	Parts name	Remarks	Level	Cons	Qty
1	G5116164000	CLAMP PLATE, LEFT				1
2	G5117164000B	CLAMP PLATE, RIGHT				1
3	SM6061202TP	SCREW M6 L=12				6
4	WS0610002KN	SPRING WASHER 6.1X12.2X1.5				6
5	WP0641601SC	WASHER				6
6	G5118164000	CLAMP CYLINDER PLATE, LEFT				1
7	G5119164000	CLAMP CYLINDER PLATE, RIGHT				1
8	SM6061202TP	SCREW M6 L=12				4
9	WS0610002KN	SPRING WASHER 6.1X12.2X1.5				4
10	WP0641601SC	WASHER				4
11	G5124164000	CLAMP SHAFT				2
12	NM6060001SC	NUT M6				2
13	WS0610002KN	SPRING WASHER 6.1X12.2X1.5				2
14	WP0641601SC	WASHER				2
15	G5125164000	CLAMP HOLDER				2
16	G5126164000	SPRING				4
17	G5127164000	SPRING HOOK				4
18	G5128164000	TENSION BOLT				2
19	NM6060001SC	NUT M6				2
20	G5129164000	SWITCH INSTALLING PLATE				1
21	G5144162000	SCREW				2
22	G5130164A00	CLAMP, LEFT				1
23	G51311640A0	CLAMP FOOT ASM., RIGHT				1
24	SM8040402TP	SCREW M4X0.7 L=4				4
25	G5132164000	CLAMP COVER, LEFT				1
26	G5133164000	CLAMP COVER, RIGHT				1
27	G5144162000	SCREW				6
28	B4131357000	NEEDLE GUARD ADJUSTING GUIDE				2
29	SM9041050SC	SCREW M4X0.7 L=10				2
30	WS0410002KN	SPRING WASHER				2
31	WP0430801SC	WASHER 4.3X9X0.8				2
32	G2526270000	COLLAR				4
33	G5138161000	RUBBER CAP				1
34	PA160100500	AIR CYLINDER				2
35	SM6033052TP	SCREW				8
36	PJ304040504	ELBOW UNION				2
37	HX00150000A	CABLE CLAMP				4
38	SM0040601SA	SCREW				4
39	EA9500B0100	CABLE BAND				6
40	SM8040402TP	SCREW M4X0.7 L=4				8
41	G61121640A0	CLOTH PRESSER CANCELLATION SW				1
42	CM3002000B2	LABEL(25).	FOR JAPAN			4
43	CM300200003	ATTENTION LABEL	FOR JE			4

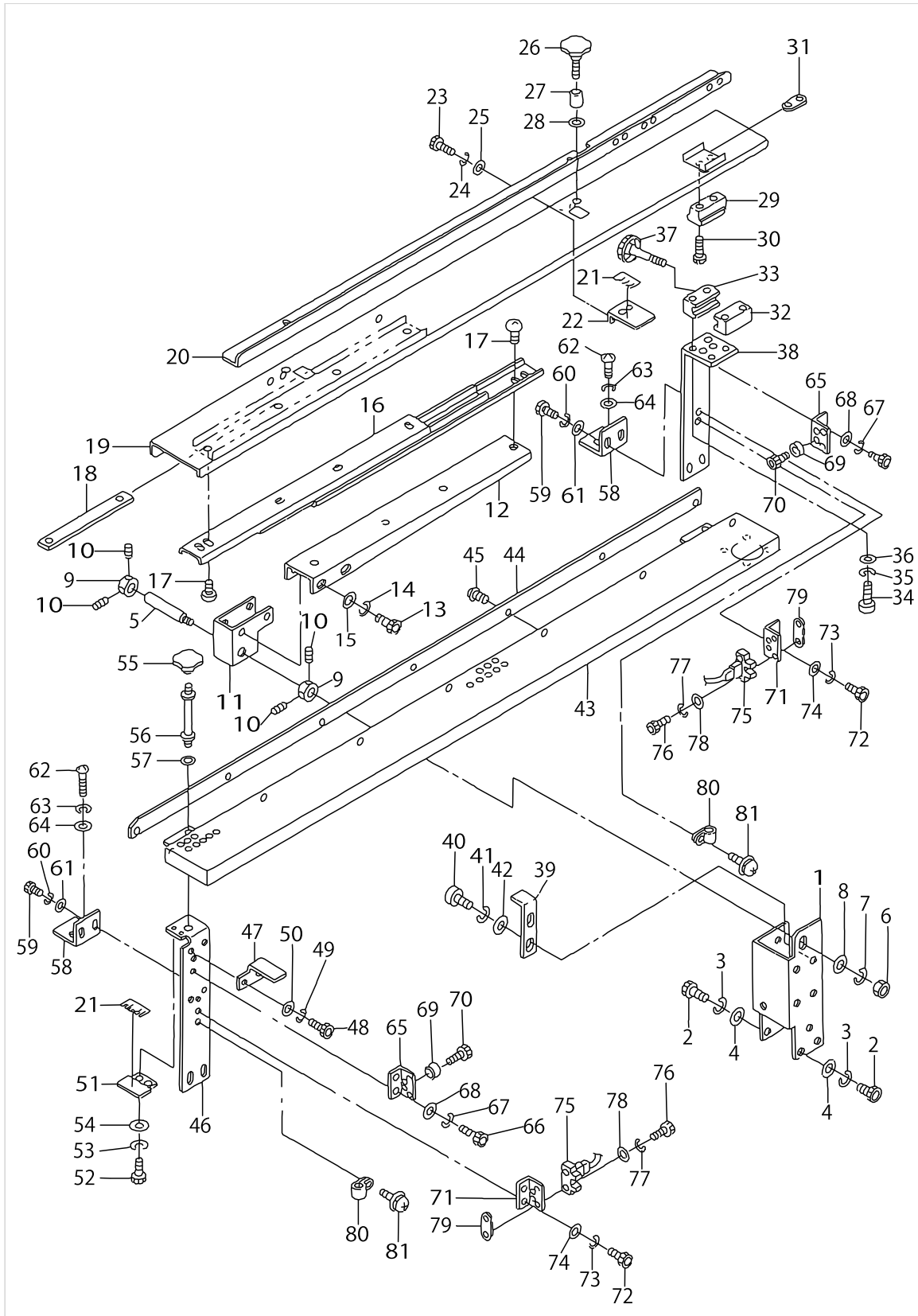
SET PLATE COMPONENTS



SET PLATE COMPONENTS

No.	Parts No.	Parts name	Remarks	Level	Cons	Qty
1	G5301164000	LEFT INSTALLING BASE				1
2	SM6061202TP	SCREW M6 L=12				6
3	WS0610002KN	SPRING WASHER 6.1X12.2X1.5				6
4	WP0641601SC	WASHER				6
5	G5302164000	TURNING SHAFT				1
6	NM6080001SC	NUT M8X1.25				1
7	WS0820002KN	SPRING WASHER M8				1
8	WP0841601SC	WASHER 8.4X17.4X1.6				1
9	G2543270000	SHAFT STOP COLLAR A				2
10	SM8040402TP	SCREW M4X0.7 L=4				4
11	G5303164000	RAIL INSTALLING PLATE BRACKET				1
12	G5304164000	RAIL INSTALLING PLATE				1
13	SM6061202TP	SCREW M6 L=12				4
14	WS0610002KN	SPRING WASHER 6.1X12.2X1.5				4
15	WP0641601SC	WASHER				4
16	G5305164000	SLIDER RAIL				1
17	SM0040601SA	SCREW				8
18	G5306164000	RAIL FIXED PLATE				2
19	G5307164000	SET PLATE, LEFT				1
20	G5308164000	GUIDE, LEFT				1
21	G5309164000	SCALE				4
22	G5310164000	SCALE PLATE, LEFT				2
23	SM6040802TP	SCREW M4X0.7 L=8				4
24	WS0410002KN	SPRING WASHER				4
25	WP0430801SC	WASHER 4.3X9X0.8				4
26	G5311164000	KNOB, MALE				2
27	G5312164000	COLLAR				2
28	WP0641601SC	WASHER				2
29	G5315164000	BLOCK				1
30	SM6040802TP	SCREW M4X0.7 L=8				2
31	G5146171000	CLAMP FIXING PLATE				1
32	G5313164000	BLOCK.A				1
33	G5314164000	BLOCK B				1
34	SM6041202TP	SCREW M4X0.7 L=12				4
35	WS0410002KN	SPRING WASHER				4
36	WP0430801SC	WASHER 4.3X9X0.8				4
37	G5316164000	FIXED SCREW				1
38	G5006164000	SET PLATE SUPPORT, LEFT				1
39	G5332164000	STOPPER				1
40	SM6061202TP	SCREW M6 L=12				2
41	WS0610002KN	SPRING WASHER 6.1X12.2X1.5				2
42	WP0641601SC	WASHER				2
43	G5327164000	SET PLATE, RIGHT				1
44	G5328164000	GUIDE, RIGHT				1
45	SM0030601SA	SCREW M3X0.5 L=6				7
46	G5007164A00	SUPPORT PLATE				1
47	G5030164000	SUPPORT PLATE				1

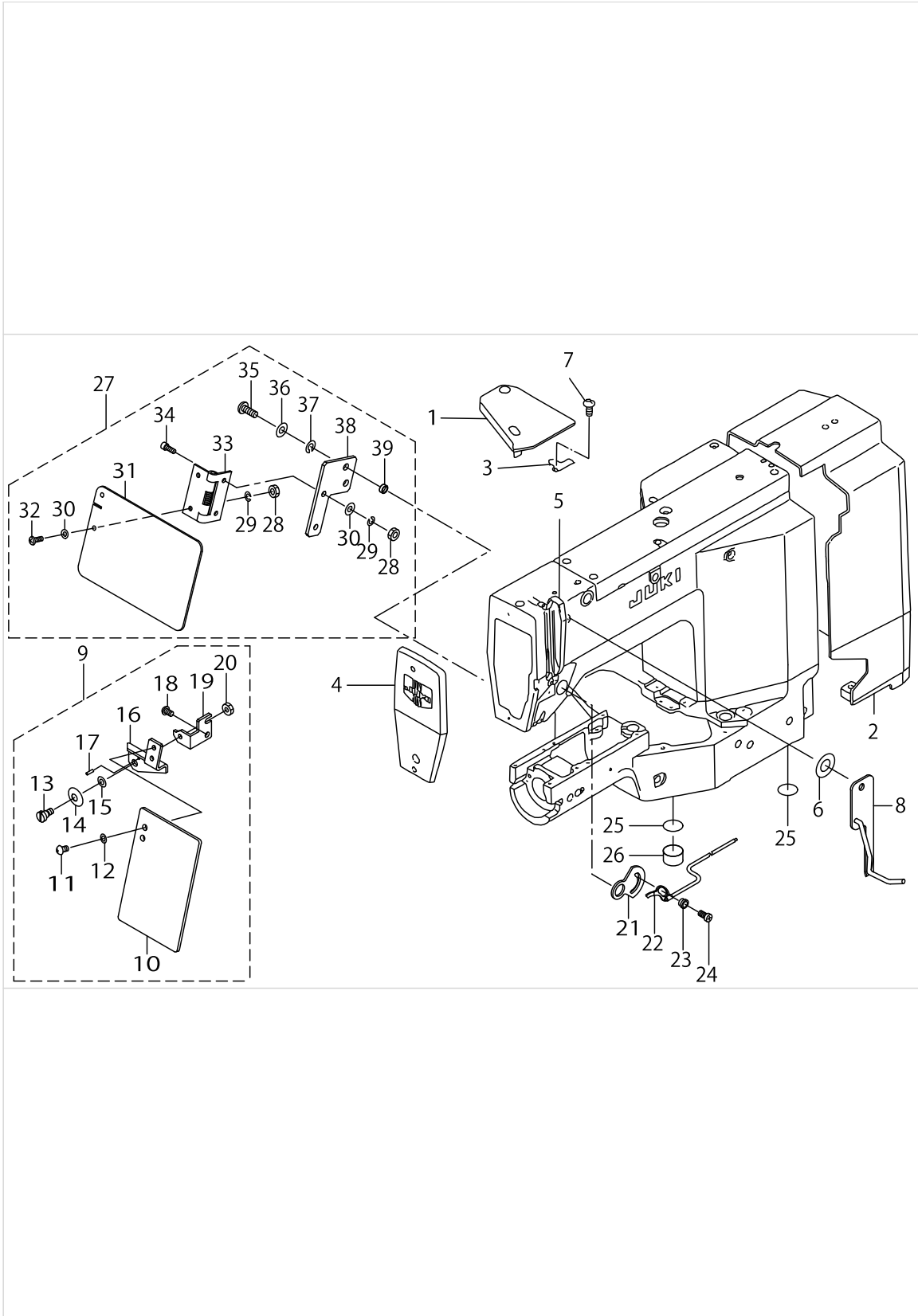
SET PLATE COMPONENTS



SET PLATE COMPONENTS

No.	Parts No.	Parts name	Remarks	Level	Cons	Qty
48	SM6061202TP	SCREW M6 L=12				2
49	WS0610002KN	SPRING WASHER 6.1X12.2X1.5				2
50	WP0641601SC	WASHER				2
51	G5329164000	SCALE PLATE, RIGHT				2
52	SM6040602TP	SCREW M4 L=6				4
53	WS0410002KN	SPRING WASHER				4
54	WP0430801SC	WASHER 4.3X9X0.8				4
55	G5330164000	KNOB, FEMALE				2
56	G5331164000	HANDLE EXTENSION				2
57	WP0641601SC	WASHER				2
58	G5403164000	FIXED PLATE				3
59	SM6061002TP	SCREW M6 L=10				6
60	WS0610002KN	SPRING WASHER 6.1X12.2X1.5				6
61	WP0641601SC	WASHER				6
62	SK3381601SC	WOOD SCREW D=3.8 L=16				6
63	WS0410002KN	SPRING WASHER				6
64	WP0430801SC	WASHER 4.3X9X0.8				6
65	G5008164000	STOPPER				2
66	SM6040802TP	SCREW M4X0.7 L=8				4
67	WS0410002KN	SPRING WASHER				4
68	WP0430801SC	WASHER 4.3X9X0.8				4
69	G5384171000	RUBBER FOOT				2
70	SM6031002TP	HEXAGONAL BOLT M3 X 10				2
71	G5008164000	STOPPER				2
72	SM6040802TP	SCREW M4X0.7 L=8				4
73	WS0410002KN	SPRING WASHER				4
74	WP0430801SC	WASHER 4.3X9X0.8				4
75	G61051640A0	PRESSER POSITION SW ASM.				2
76	SM6031502TP	SCREW M3 X 15				4
77	WS0310002KN	SPRING WASHER M3				4
78	WP0320501SC	WASHER M3				4
79	G5153171000	SENSOR PLATE				2
80	HX001500000	CLIP				2
81	SL4041081SF	SCREW M4 L=10				2

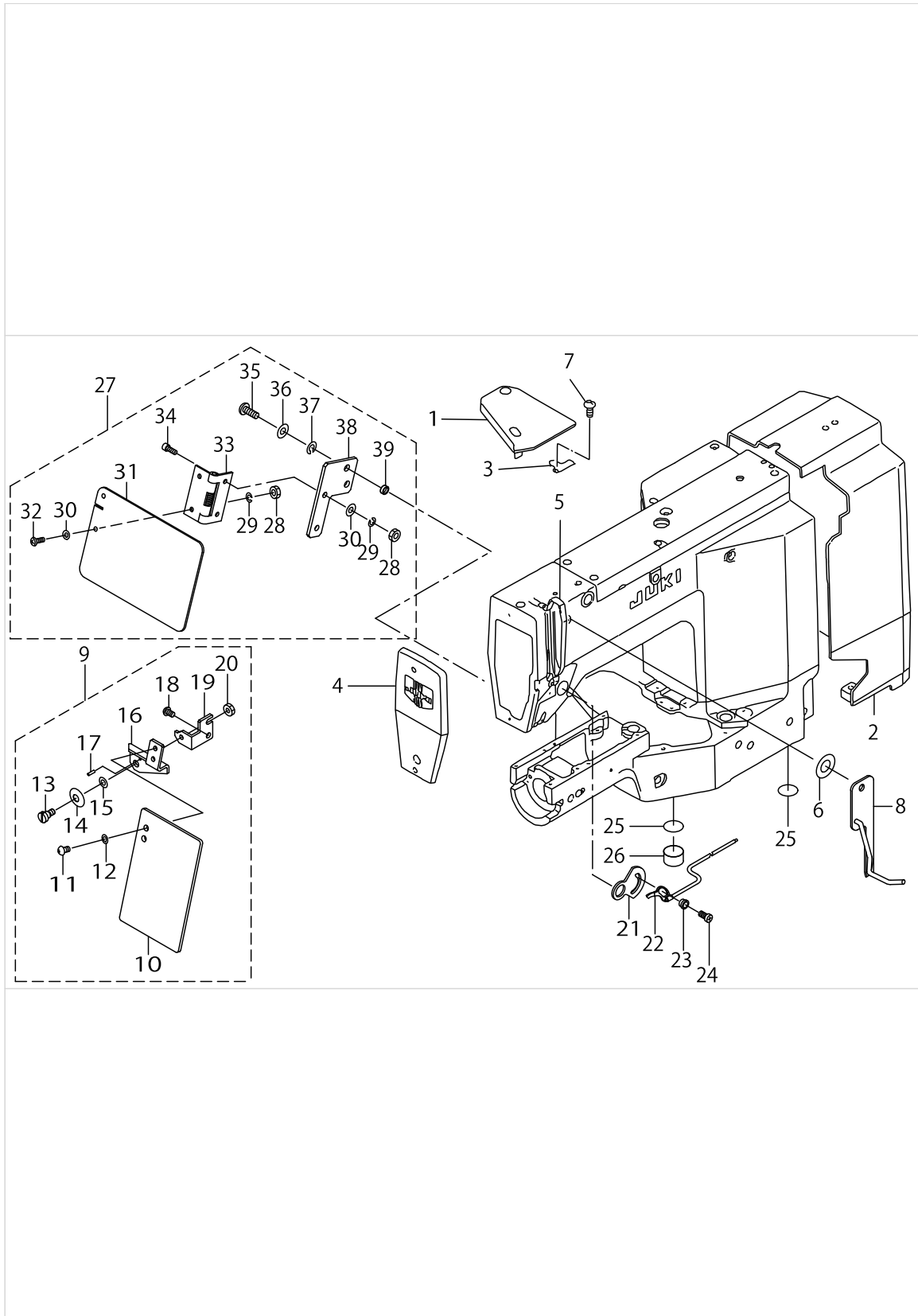
FRAME & MICELLANEOUS COVER COMPONENTS (1)



FRAME & MICELLANEOUS COVER COMPONENTS (1)

No.	Parts No.	Parts name	Remarks	Level	Cons	Qty
2	SM6061202TP	SCREW M6 L=12				4
3	WS0610002KN	SPRING WASHER 6.1X12.2X1.5				4
4	WP0641601SC	WASHER				4
5	G5210164000	SUPPORT PLATE				2
6	SM6030602TP	SCREW M3X0.5 L=6				4
7	WS0310002KN	SPRING WASHER M3				4
8	WP0320501SC	WASHER M3				4
9	G5220164000	KNOB				2
10	G5202164000	PILLOW INSTALLING PLATE				1
11	SM6061202TP	SCREW M6 L=12				4
12	WS0610002KN	SPRING WASHER 6.1X12.2X1.5				4
13	WP0641601SC	WASHER				4
14	G5219164000	SWITCH INSTALLING PLATE				2
15	SM6082002TN	SCREW M8 L=20				4
16	WS0820002KN	SPRING WASHER M8				4
17	WP0841601SC	WASHER 8.4X17.4X1.6				8
18	NM6080001SC	NUT M8X1.25				4
19	G5203164000	CYLINDER HOLDER BASE				1
20	SM6061202TP	SCREW M6 L=12				4
21	WS0610002KN	SPRING WASHER 6.1X12.2X1.5				4
22	WP0641601SC	WASHER				4
23	G5217164000	CYLINDER MOUNT PLATE				2
24	SM6061602TP	SCREW M6 L=16				4
25	WS0610002KN	SPRING WASHER 6.1X12.2X1.5				4
26	WP0641601SC	WASHER				4
27	SM8040402TP	SCREW M4X0.7 L=4				2
28	G5209164000	ADJUSTING PLATE				2
29	G5211164000	SUPPORT				1
30	SM6041202TP	SCREW M4X0.7 L=12				4
31	WS0410002KN	SPRING WASHER				4
32	WP0430801SC	WASHER 4.3X9X0.8				4
33	G5212164000	FULCRUM PLATE				1
34	G5234164000	PIN SUPPORT				1
35	SM6040802TP	SCREW M4X0.7 L=8				2
36	WS0410002KN	SPRING WASHER				2
37	WP0430801SC	WASHER 4.3X9X0.8				2
38	B8170220000	BED FIXED SCREW				1
39	WS0820002KN	SPRING WASHER M8				1
40	WP0841601SC	WASHER 8.4X17.4X1.6				1
41	NM6080001SC	NUT M8X1.25				1
42	G5213164000	CLOTH STACKER				1
43	13518105	LIFTING LEVER SHAFT				1
44	RE0700000K0	E-RING 7				2
45	G5022164000	CUSHION				1
46	G5214164000	SPRING				1
47	G5215164000	FIXED PLATE				1
48	SM6030602TP	SCREW M3X0.5 L=6				2

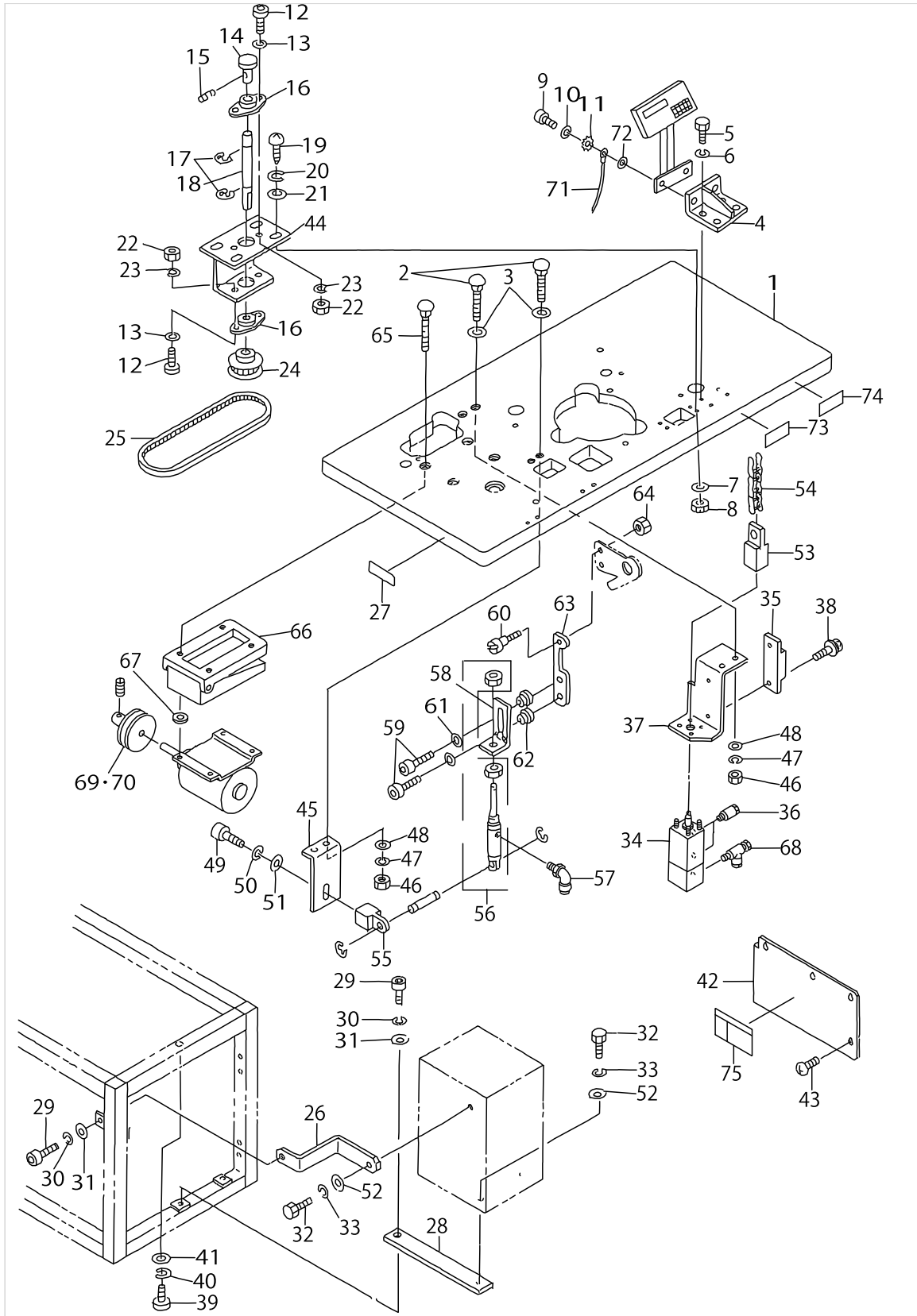
FRAME & MICELLANEOUS COVER COMPONENTS (1)



FRAME & MICELLANEOUS COVER COMPONENTS (1)

No.	Parts No.	Parts name	Remarks	Level	Cons	Qty
49	WS0310002KN	SPRING WASHER M3				2
50	WP0320501SC	WASHER M3				2
51	G5235164000	SLIDER				2
52	SM6030802TP	SCREW M3X0.5 L=8				6
53	WS0310002KN	SPRING WASHER M3				6
54	WP0320501SC	WASHER M3				6
55	CM3002000B1	LABEL(16)	FOR JAPAN			1
56	CM300200003	ATTENTION LABEL	FOR JE			1

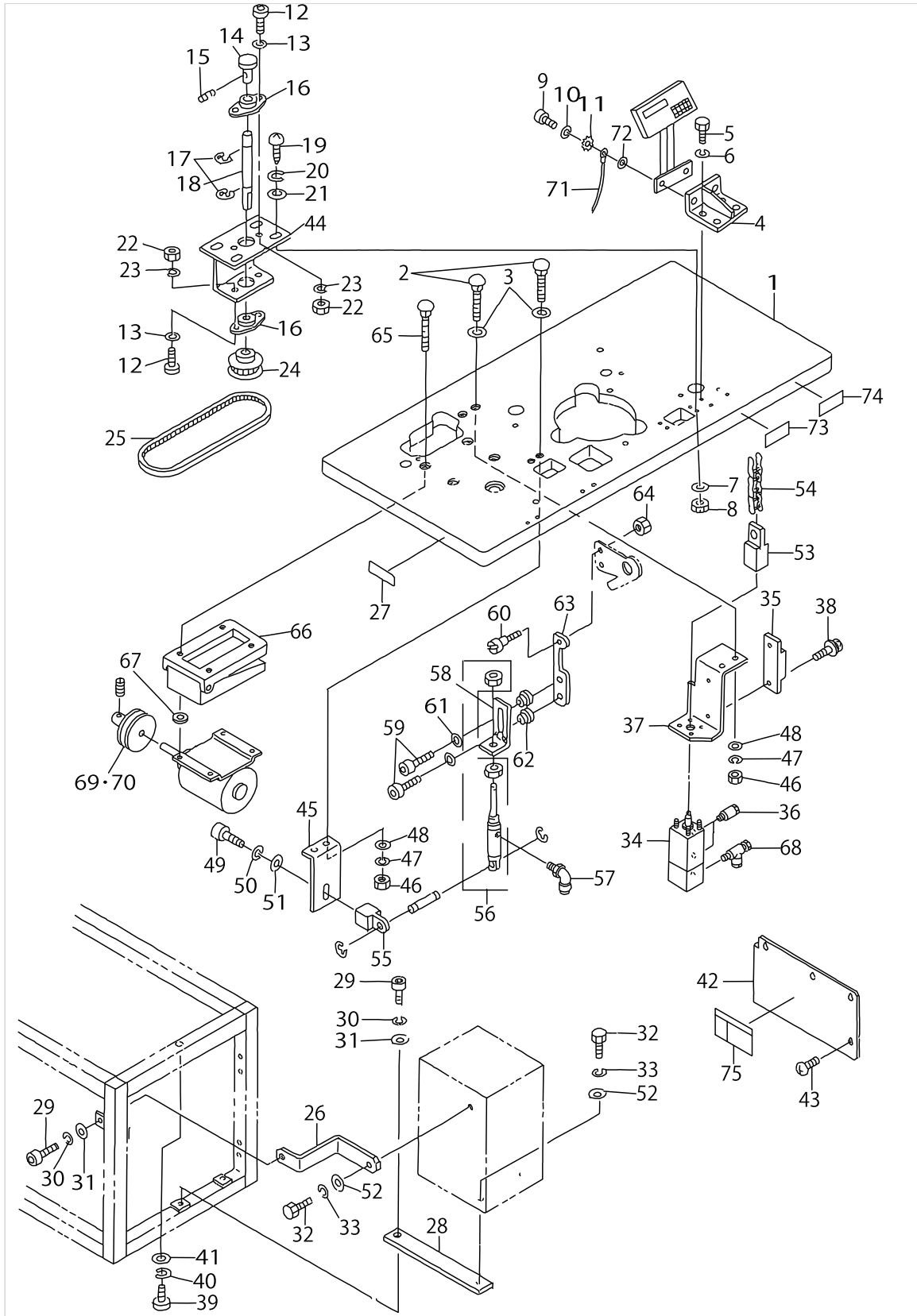
MACHINE TABLE COMPONENTS



MACHINE TABLE COMPONENTS

No.	Parts No.	Parts name	Remarks	Level	Cons	Qty
1	G5402164A00	SEWING MACHINE TABLE				1
2	MTJMS000060	BOLT				4
3	WP0850002SP	WASHER 8.5X18X1.6				4
4	G5406164000	OPERATION PANEL BRACKET				1
5	SM9066503SC	SCREW M6 L=65				4
6	WS0610002KN	SPRING WASHER 6.1X12.2X1.5				4
7	WP0641601SC	WASHER				4
8	NM6060001SC	NUT M6				4
9	SM6061202TN	BOLT				2
10	WS0610002KN	SPRING WASHER 6.1X12.2X1.5				2
11	WT0640001KN	TOOTH WASHER				2
12	SM6051202TP	SCREW M5X0.8 L=12				4
13	WP0531001SC	WASHER				4
14	16561904	MOTOR KNOB				1
15	SM8050602TP	SCREW M5 L=6				1
16	G5420164000	FLANGE				2
17	RE0600000K0	E-RING 6				2
18	G5419164000	SHAFT				1
19	SK3381301SC	WOOD SCREW				4
20	WS0410002KN	SPRING WASHER				4
21	WP0430801SC	WASHER 4.3X9X0.8				4
22	NM6050001SC	NUT M5				4
23	WS0510002KN	SPRING WASHER				4
24	G5418164000	SULLEY				1
25	G5421164000	ROTATION BELT				1
26	G5423164000	FIXED PLATE				1
27	G5042164A00	NAME PLATE				1
28	G5421162000	CONTROL BOX INSTALLING PLATE				2
29	SM6082002TN	SCREW M8 L=20				3
30	WS0820002KN	SPRING WASHER M8				3
31	WP0841601SC	WASHER 8.4X17.4X1.6				3
32	SM9082003SC	SCREW M8 L=20				3
33	WS0820002KN	SPRING WASHER M8				3
34	PA2003502A0	AIR CYLINDER				1
35	HK044350120	TERMINAL				1
36	PJ301060503	HALF UNION				2
37	G5407164A00	CYLINDER BRACKET				1
38	SL4030881SF	SCREW				2
39	SM6082002TN	SCREW M8 L=20				6
40	WS0820002KN	SPRING WASHER M8				6
41	WP0841601SC	WASHER 8.4X17.4X1.6				6
42	G5422164B00	PULLEY COVER				1
43	SM0040601SA	SCREW				4
44	G5417164000	BRACKET				1
45	G5410164000	CYLINDER BRACKET				1
46	NM6060001SC	NUT M6				4
47	WS0610002KN	SPRING WASHER 6.1X12.2X1.5				4

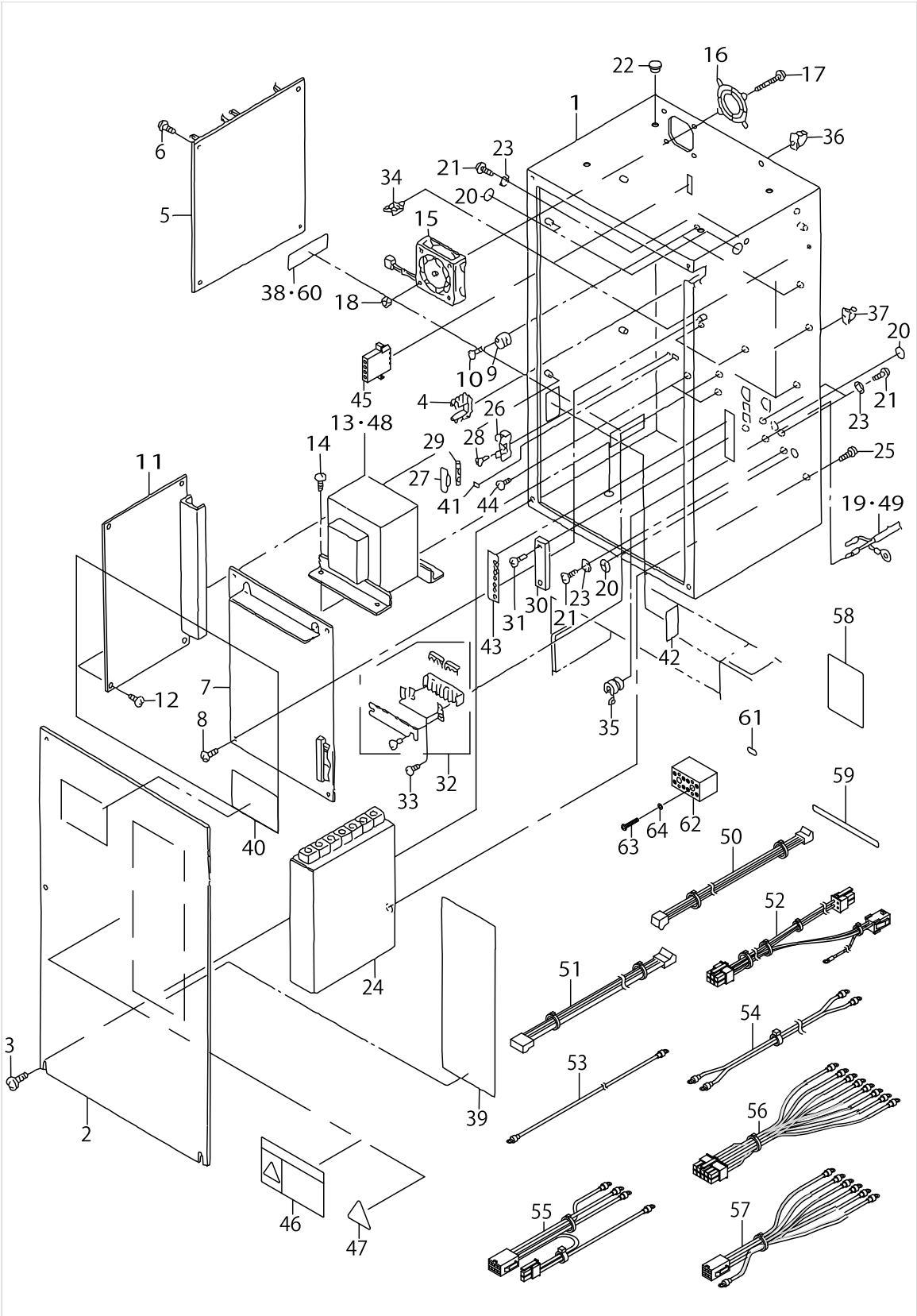
MACHINE TABLE COMPONENTS



MACHINE TABLE COMPONENTS

No.	Parts No.	Parts name	Remarks	Level	Cons	Qty
48	WP0641601SC	WASHER				4
49	SM6051202TP	SCREW M5X0.8 L=12				1
50	WS0510002KN	SPRING WASHER				1
51	WP0531001SC	WASHER				1
52	WP0841601SC	WASHER 8.4X17.4X1.6				3
53	G5414171000	THRUST KNUCKLE				1
54	G5416171000	THRUST CHAIN				1
55	PX500018000	KNUCKLE JOINT				1
56	PA1601510A0	AIR CYLINDER				1
57	PJ304040504	ELBOW UNION				1
58	G5412164000	WORKING PLATE				1
59	SM6041202TP	SCREW M4X0.7 L=12				2
60	16562902	HINGE SCREW				1
61	WP0430801SC	WASHER 4.3X9X0.8				2
62	G5416164000	SLIDE HOLDER				2
63	G5411164000	LINK				1
64	NM6050001SC	NUT M5				1
65	MTJMS00000S	SCREW SET				4
66	B7101761BA0	MOTOR BASE ASM.				1
67	MTJMGC00000	RUBBER CUSHION				4
68	PC010511000	SPEED CONTROLLER				1
69	13531207	MOTOR PULLEY 50HZ 2000 SPM	SELECTIVE PARTS			1
70	13531504	MOTOR PULLEY 60HZ 2000 SPM	SELECTIVE PARTS			1
71	G67041640A0	EARTH CORD ASM.				2
72	WP0641601SC	WASHER				2
73	CM500100001	CE MARKING LABEL	FOR JE			1
74	CM500000001	POWER SOURCE INDICATION LABEL	FOR JE			1
75	CM300600101	LABEL, (SMALL).	FOR JAPAN			1

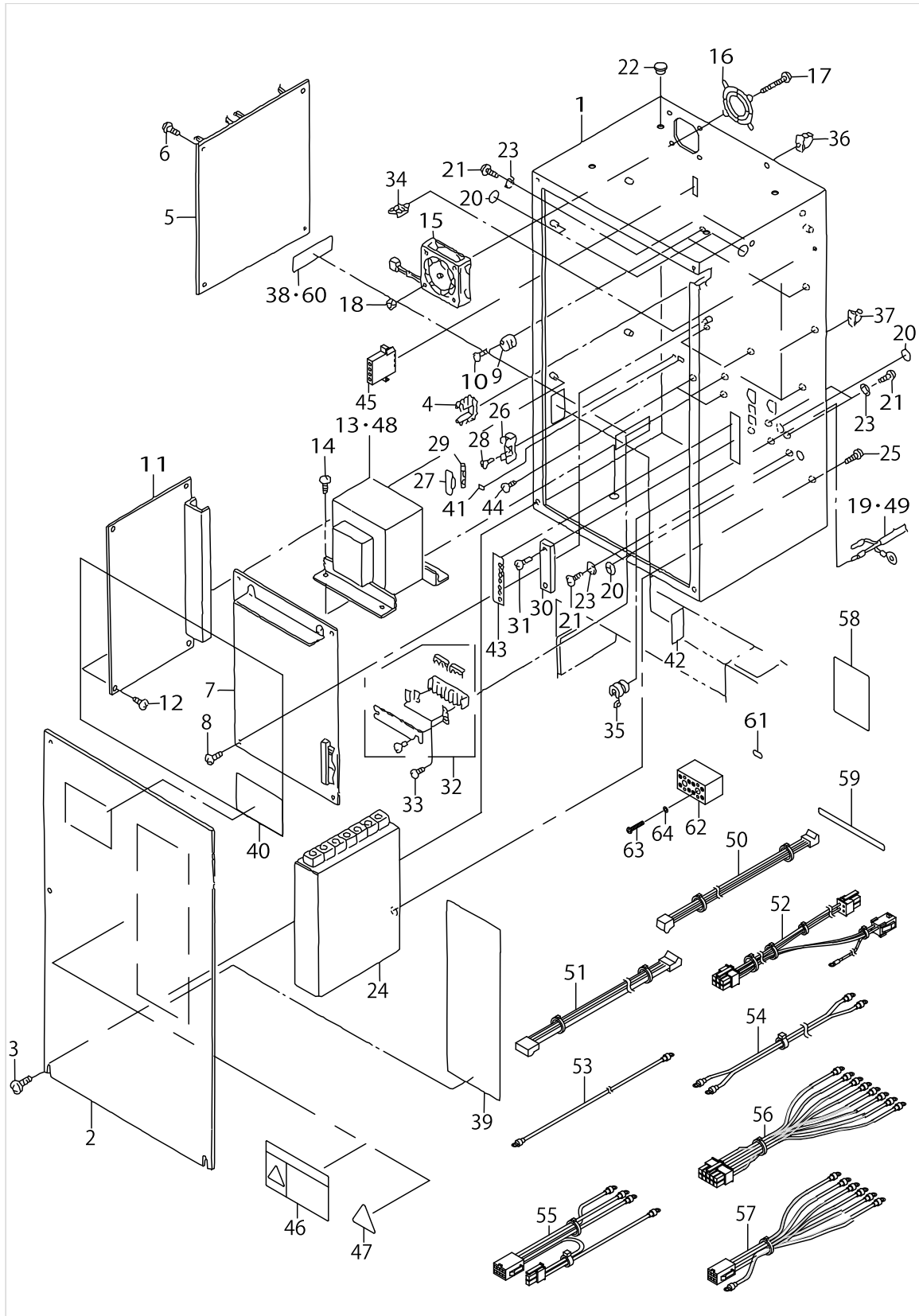
CONTROL BOX COMPONENTS



CONTROL BOX COMPONENTS

No.	Parts No.	Parts name	Remarks	Level	Cons	Qty
1	M1001544000A	CONTROL BOX FRAME				1
2	M10025440A0	FRAME CONTROLL BOX COVER ASM.				1
3	SM0040601SA	SCREW				6
4	M1004540000	FREE BUSHING, A				1
5	M8601543BA0	CPU BASE ASM.				1
6	HX00269000B	SPACER				4
7	M8602544AA0A	I/O BASE ASM. (B)				1
8	HX00269000B	SPACER				4
9	M1004544000A	CIRCUIT BOARD SUPPORT				2
10	SL4031891SC	SCREW M3 L=18				2
11	M8603544AA0	POWER CIRCUIT BOARD ASM.				1
12	HX00269000B	SPACER				4
13	M85105440A0	TRANSFORMER ASM.	FOR JAPAN			1
14	SL4051091SC	SCREW M5X0.8 L=10				4
15	M85115440A0	DC FAN ASM.				1
16	HM0003800A0	FINGER GUARD				1
17	SM4043601SN	SCREW M4X0.7 L=36				4
18	NM3040520SF	FLANGE NUT M4				4
19	M85215400A0	AC INPUT POWER CORD ASM.	FOR JAPAN			1
20	10004109	GROUND MARK				3
21	SL4041081SF	SCREW M4 L=10				10
22	TA0800504R0	PLUG D=8 L=4.5				4
23	WT0430001KN	TOOTHED WASHER				10
24	HM000570010	DRIVER				1
25	SL4041081SF	SCREW M4 L=10				2
26	HF005111000	FUSE HOLDER				1
27	HF00511000B	FUSE HOLDER COVER				1
28	SM4041001SC	SCREW M4X0.7 L=10				1
29	E9602701000	FUSE 4A				1
30	HK017150070	TERMINAL BASE 7P	FOR JAPAN			1
31	SL4031681SF	SCREW M3 L=16	FOR JAPAN			2
32	HK044450060	TERMINAL BASE				1
33	SL4031481SF	SCREW M3 L=14				2
34	HX00222000A	CABLE CLAMP				5
35	HX004100000	BUSH				1
36	HX000240000	CORD HOLDER				1
37	HX00024000C	CORD CLAMP				1
38	M1010544000	CONTROL BOX PLATE	FOR JAPAN			1
39	M1020544000	SEAL, A				1
40	M1022543000	SEAL, B				1
41	M1022544000	F6 SEAL				1
42	M1021544000	SEAL				1
43	M1021540000	SEAL				1
44	SL4040691SC	SCREW M4 L=6				2
45	M9620110000	RECEPTACLE				1
46	CM300100101	DANGER LABEL (SMALL)	FOR JAPAN			1
47	CM300100001	LABEL	FOR JE			1

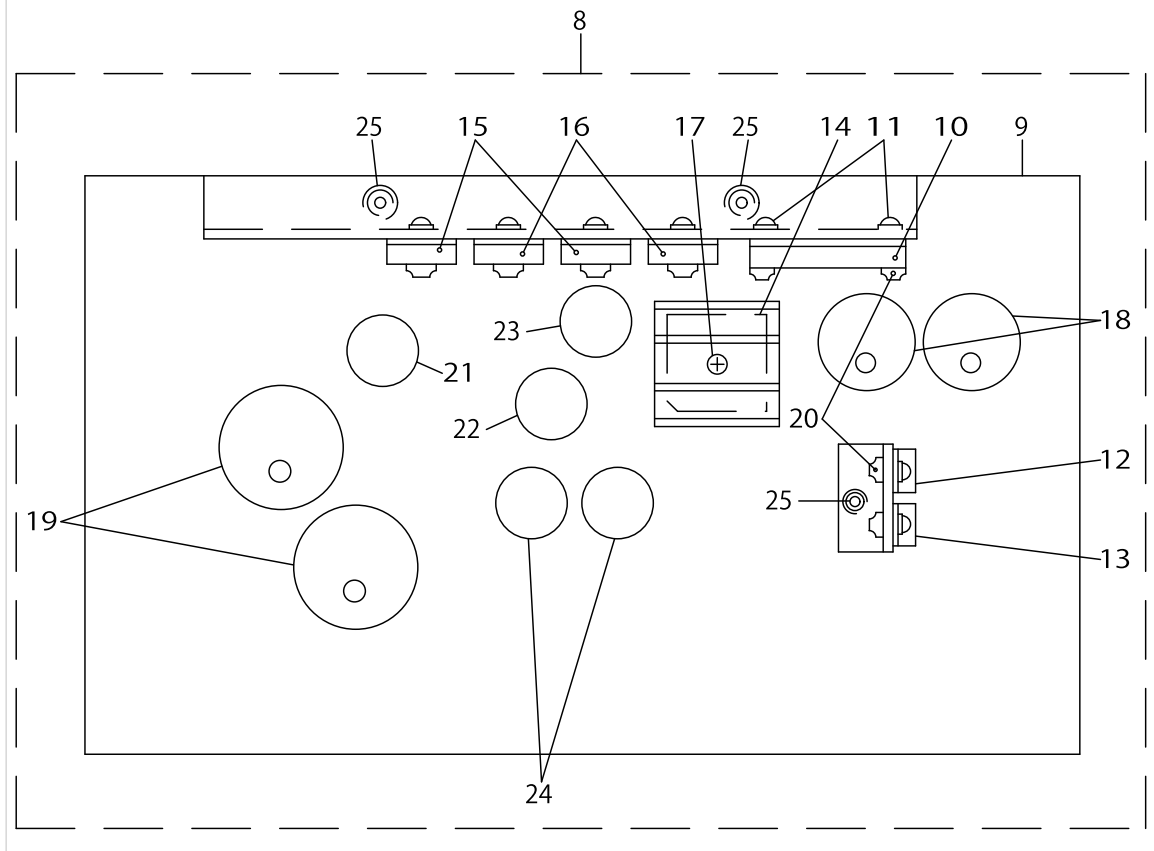
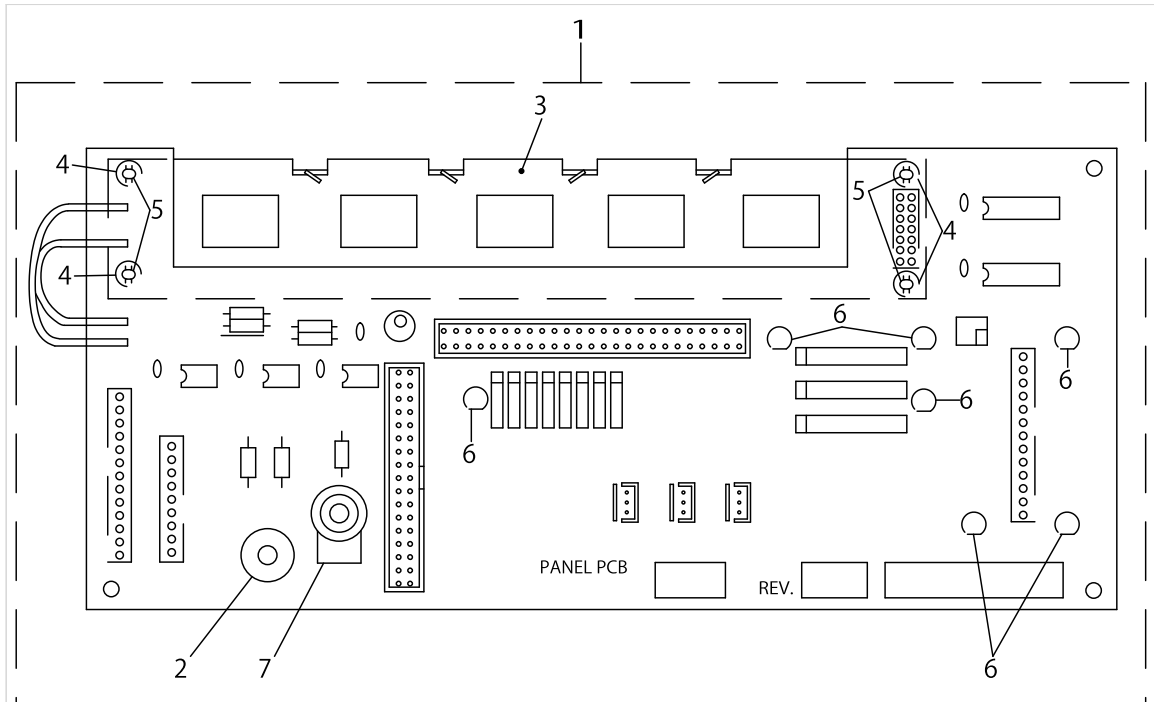
CONTROL BOX COMPONENTS



CONTROL BOX COMPONENTS

No.	Parts No.	Parts name	Remarks	Level	Cons	Qty
48	M8510544BA0	TRANSFORMER B ASM.	FOR JE			1
49	M85295440A0	AC INPUT POWER CORD ASM.	FOR JE			1
50	M85205440A0	POWER CORD ASM.	FOR JE			1
51	M85215440A0	POWER CORD ASM. (1)	FOR JE			1
52	M85225440A0	POWER CORD (2)	FOR JE			1
53	M85245440A0	RELAY CORD ASM.	FOR JE			1
54	M85255440A0	DRIVER POWER CORD	FOR JE			1
55	M85265440A0	POWER CORD ASM.	FOR JE			1
56	M85245400A0	DRIVER CONNCTING CORD ASM.	FOR JE			1
57	M85255400A0	CONNECTING CORD ASM.	FOR JE			1
58	G8015397000	TRANSFORMER TAP SEAL C	FOR JE			1
59	M3007519000	TRANSFORMER TAP SEAL	FOR JE			1
60	M1010544B00	CONTROL BOX PLATE B	FOR JE			1
61	CM200100001	PE MARK LABEL	FOR JE			1
62	HK054250040	TERMINAL BASE	FOR JE			2
63	SM4031851SR	SCREW	FOR JE			4
64	WS0310702KS	SPRING WASHER	FOR JE			4

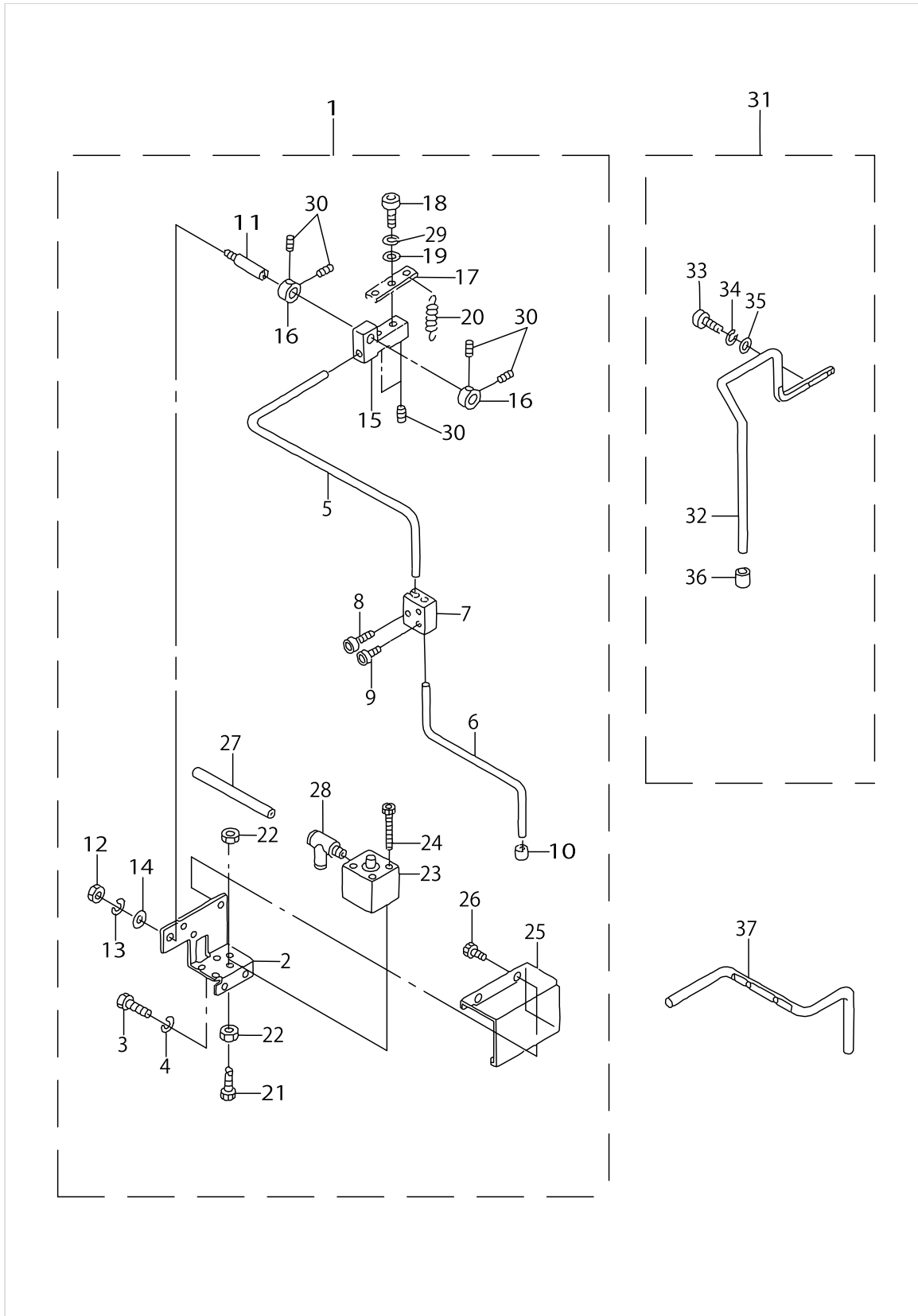
PANEL CIRCUIT BOARD COMPONENTS



PANEL CIRCUIT BOARD COMPONENTS

No.	Parts No.	Parts name	Remarks	Level	Cons	Qty
1	M8631543AA0	PANEL CIRCUIT BOARD ASM.				1
2	HX002400000	BUZZER		*		1
3	HG004350000	LIQUID CRYSTAL INDICATOR		*		1
4	G6312166000	LCD SPACER		*		4
5	HX00094000C	NYLON RIVET		*		4
6	HG004750000	LIGHT EMITTING DIODE		*		7
7	HR030301030	VOLUME (10K)		*		1
8	M8603544AA0	POWER CIRCUIT BOARD ASM.				1
9	M8603544000	POWER BOARD		*		1
10	HL006940000	IC (STR-9005)		*		1
11	SL4031481SF	SCREW M3 L=14		*		6
12	HL011820000	REGULATOR		*		1
13	HL011800000	REGULATOR		*		1
14	HG002650000	DIODE BRIDGE (S10VB20)		*		1
15	HG003780000	DIODE (FMM-32R)		*		2
16	HG003770000	DIODE (FMM-32S)		*		2
17	SL4031281SF	SCREW M3 L=12		*		1
18	HC027501030	CAPACITOR 10000MF 16V		*		2
19	HC011504720	CAPACITOR 4700MF 63V		*		2
20	NM3034000SF	FLANGE NUT		*		8
21	EA9544B0200	FUSE		*		1
22	E9602701000	FUSE 4A		*		1
23	E8523304000	FUSE 10A		*		1
24	E9611601000	FUSE 1A		*		2
25	SL4031081SF	SCREW M3 L=10		*		5

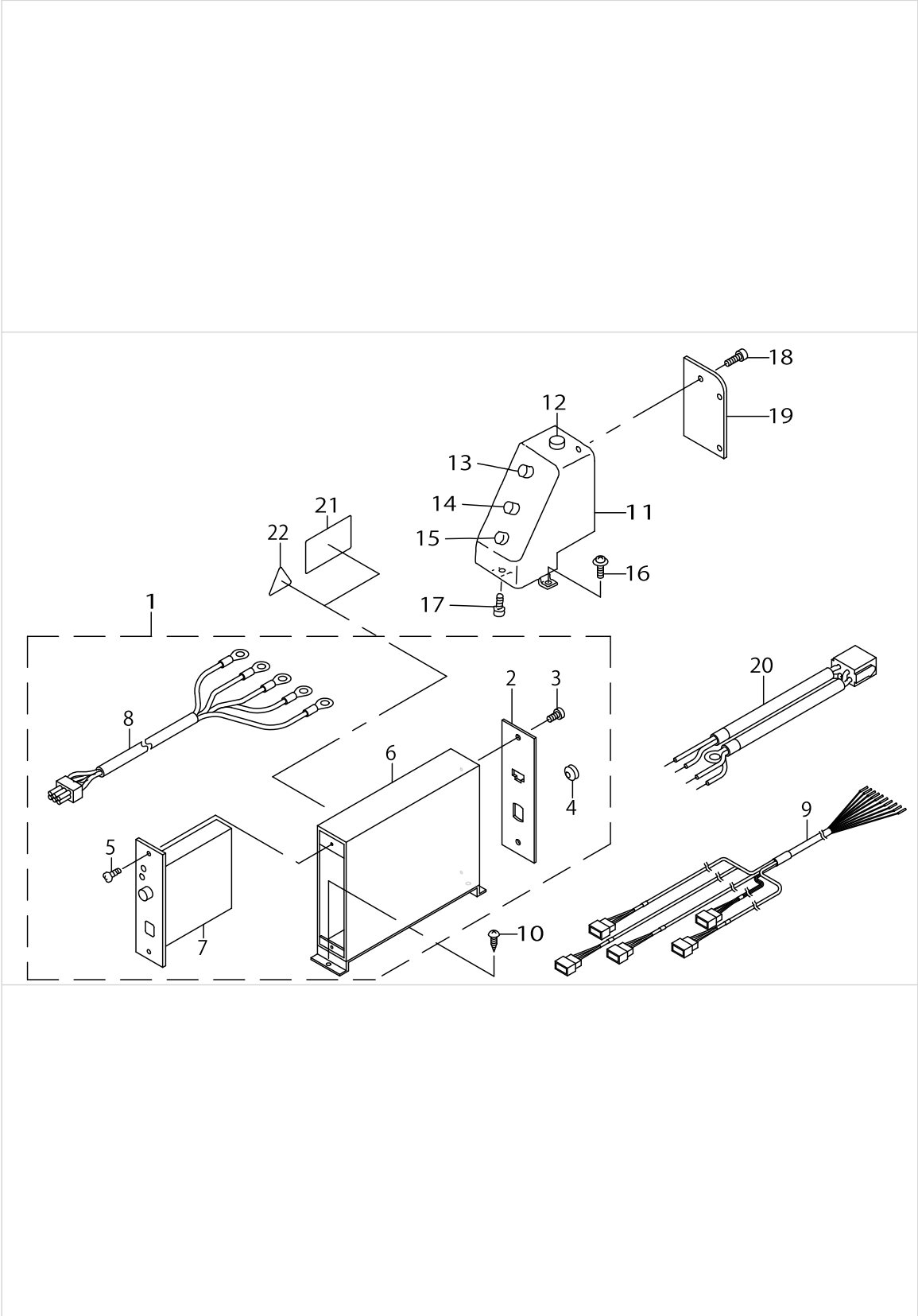
ASSISTANT CLAMP , LIGHT MATERIAL CLAMP & LEAD CLAMP COMPONENTS (OPTIONAL)



ASSISTANT CLAMP , LIGHT MATERIAL CLAMP & LEAD CLAMP COMPONENTS (OPTIONAL)

No.	Parts No.	Parts name	Remarks	Level	Cons	Qty
1	G55011640A0	AUXILIARY CLAMP ASM.				1
2	G5501164000	AUXILIARY CLAMP BRACKET		*		1
3	SM9061003SC	SCREW M6X10		*		2
4	WS0610002KN	SPRING WASHER 6.1X12.2X1.5		*		2
5	G5502164000	AUXILIARY CLAMP, UPPER		*		1
6	G5503164000	AUXILIARY CLAMP, LOWER		*		1
7	G5504164000	ADJUSTING METAL		*		1
8	SM6061202TN	BOLT		*		1
9	SM6030402TN	BOLT M3X4		*		2
10	G5138161000	RUBBER CAP		*		1
11	G5124164000	CLAMP SHAFT		*		1
12	NM6060001SC	NUT M6		*		1
13	WS0610002KN	SPRING WASHER 6.1X12.2X1.5		*		1
14	WP0641601SC	WASHER		*		1
15	G5125164000	CLAMP HOLDER		*		1
16	G2526270000	COLLAR		*		2
17	G5505164000	SPRING HOOK		*		1
18	SM6040602TP	SCREW M4 L=6		*		2
19	WP0430801SC	WASHER 4.3X9X0.8		*		2
20	G5126164000	SPRING		*		1
21	G5506164000	SCREW		*		1
22	NM6060001SC	NUT M6		*		2
23	PA160100500	AIR CYLINDER		*		1
24	SM6033052TP	SCREW		*		4
25	G5507164000	AUXILIARY CLAMP COVER		*		1
26	SM0040601SA	SCREW		*		2
27	BT0400251EB	URETHANE HOSE, BLACK		*		1
28	PJ305040503	UNION		*		1
29	WS0410002KN	SPRING WASHER		*		2
30	SM8040402TP	SCREW M4X0.7 L=4		*		6
31	G55081640A0	LIGHT FABRIC CLAMP ASM.				1
32	G5508164000	LIGHT FABRIC CLAMP		*		1
33	SM6031002TP	HEXAGONAL BOLT M3 X 10		*		2
34	WS0310002KN	SPRING WASHER M3		*		2
35	WP0320501SC	WASHER M3		*		2
36	G5138161000	RUBBER CAP		*		1
37	G5509164000	NEEDLE CLAMP				1

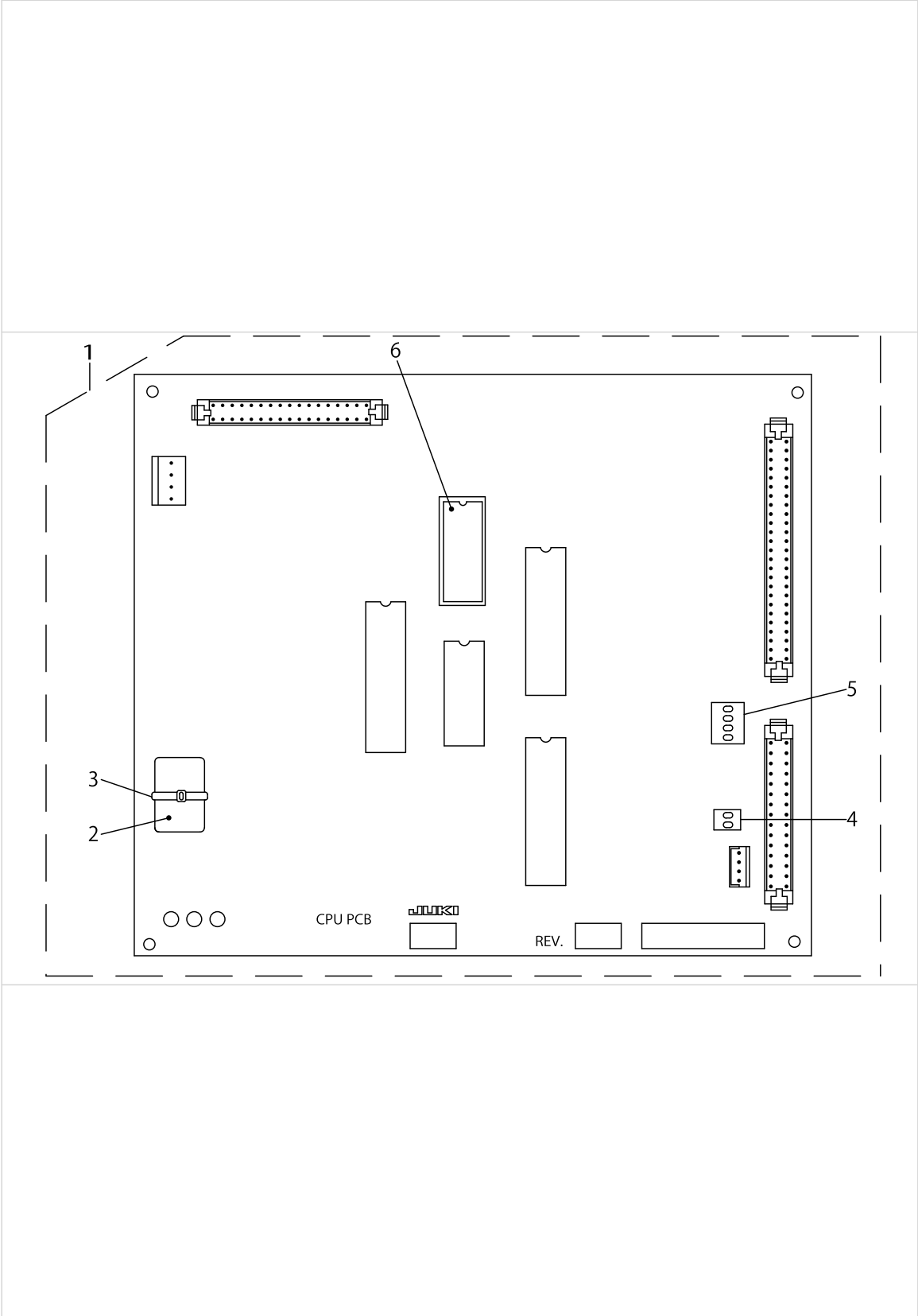
BR-CONTROL BOX COMPONENTS



BR-CONTROL BOX COMPONENTS

No.	Parts No.	Parts name	Remarks	Level	Cons	Qty
1	GBR118010A0	P/F CONTROLLER COMPL.				1
2	GBR10802000	P/F CONTROLLER BACK LID		*		1
3	SL4040691SC	SCREW M4 L=6		*		2
4	HX000980000	CORD BUSH		*		1
5	SM5040601SC	SCREW M4X0.7 L=6		*		2
6	GBR11801000	P/F CONTROLLER FRAME		*		1
7	GBR118110A0	P/F CONTROLLER ASM.		*		1
8	GBR108210A0	P/F POWER CORD ASM.		*		1
9	GBR118220A0	CONNECTING CORD ASM.				1
10	SK3381301SC	WOOD SCREW				2
11	GBR11781000	PANEL BOX				1
12	GBR117860A0	BREAKER ASM.				1
13	GBR117850A0	BUTTON SUPPLY SW ASM.				1
14	GBR117830A0	STEP-KEEPER SW ASM.				1
15	GBR117840A0	EXHAUST SW ASM.				1
16	SL4041091SC	SCREW M4 L=10				1
17	SM6040802TN	SCREW				1
18	SL4030681SC	SCREW M3 L=6				3
19	GBR10782000	PANEL BOX BACK COVER				1
20	GBR218460A0	CABLE ASM.				1
21	CM300100101	DANGER LABEL (SMALL)	FOR JAPAN			1
22	CM300100001	LABEL	FOR JE			1

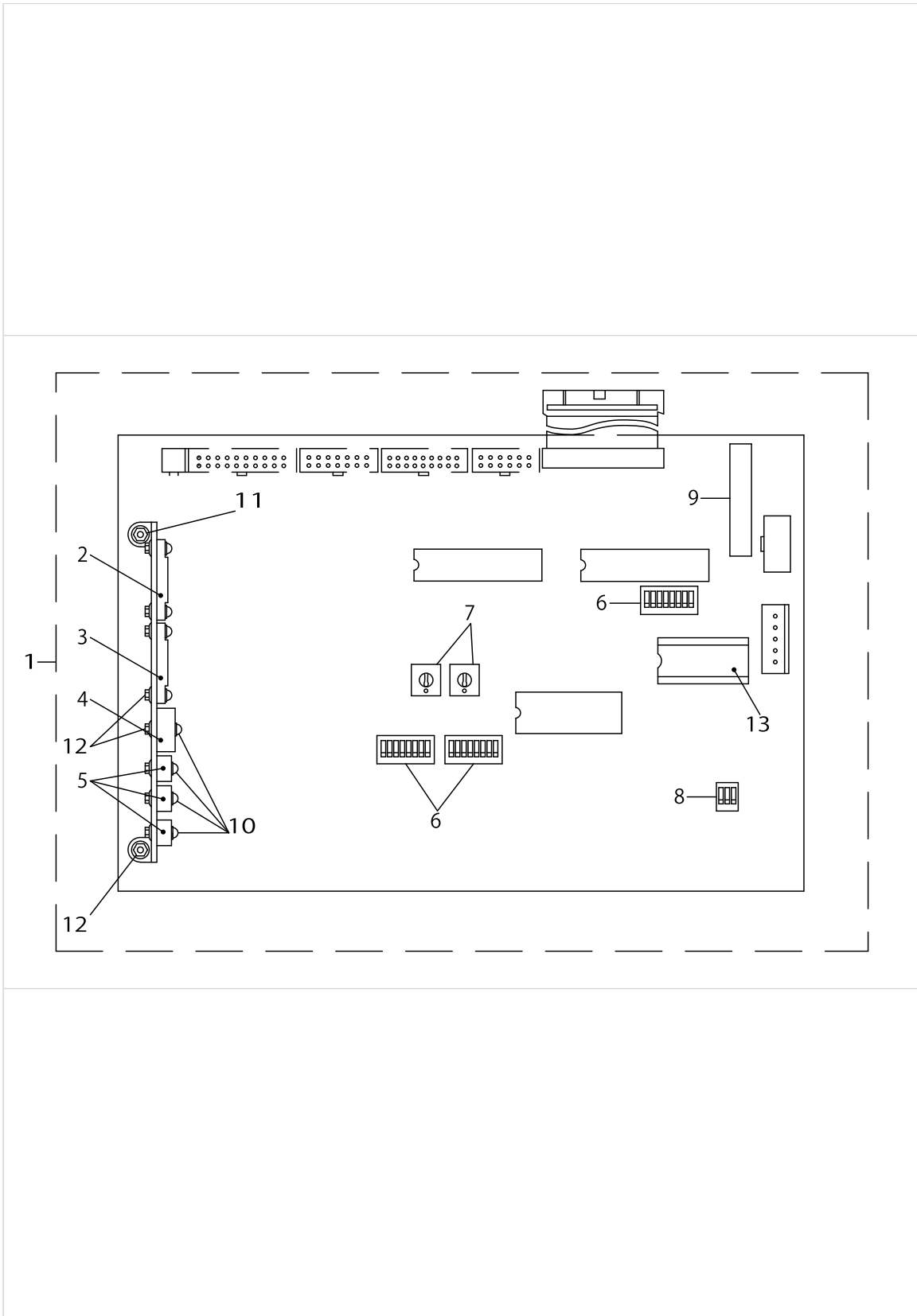
CPU CIRCUIT BOARD COMPONENTS



CPU CIRCUIT BOARD COMPONENTS

No.	Parts No.	Parts name	Remarks	Level	Cons	Qty
1	M8601543BA0	CPU BASE ASM.				1
2	HX001160000	BATTERY 3.6V		*		1
3	EA9500B0100	CABLE BAND		*		1
4	HA001080020	DIP SWITCH		*		1
5	HA001080040	DIP SWITCH 4		*		1
6	HL008420043	IC		*		1

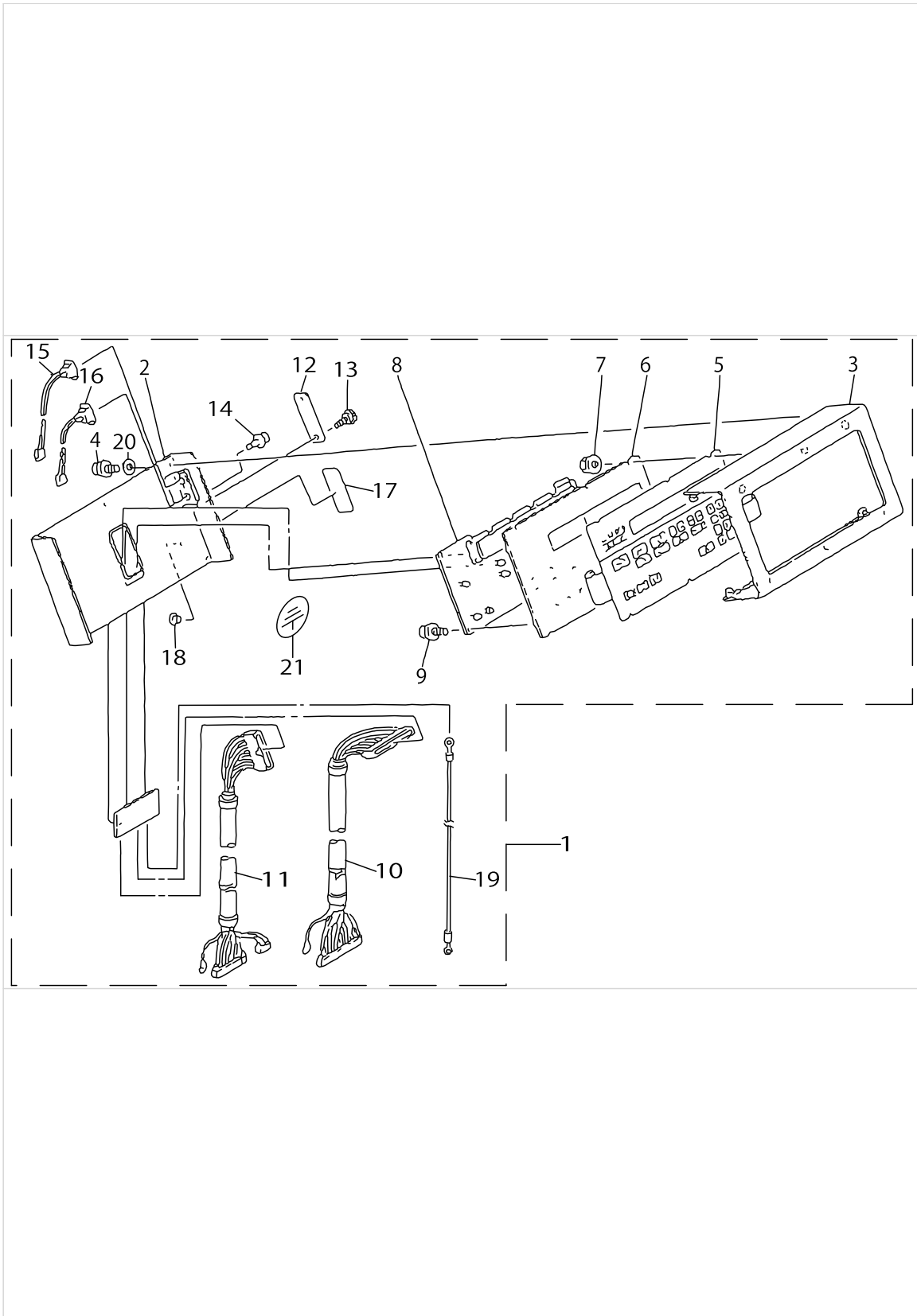
I/O CIRCUIT BOARD COMPONENTS



I/O CIRCUIT BOARD COMPONENTS

No.	Parts No.	Parts name	Remarks	Level	Cons	Qty
1	M8602544AA0A	I/O BASE ASM. (B)				1
2	HT003920000	TRANSISTOR		*		1
3	HT003640000	TRANSISTOR ARRAY		*		1
4	HT002570000	TRANSISTOR		*		1
5	HT003570000	TRANSISTOR		*		3
6	HA001080080	DIP SWITCH 8P		*		3
7	HA002330000	ROTARY SWITCH		*		2
8	HA001080030	DIP SWITCH		*		1
9	HA000500000	ROTARY SWITCH		*		1
10	SL4031291SC	SCREW M3X12		*		4
11	SL4031081SF	SCREW M3 L=10		*		6
12	NM3034000SF	FLANGE NUT		*		10
13	HL008420044	IC		*		1

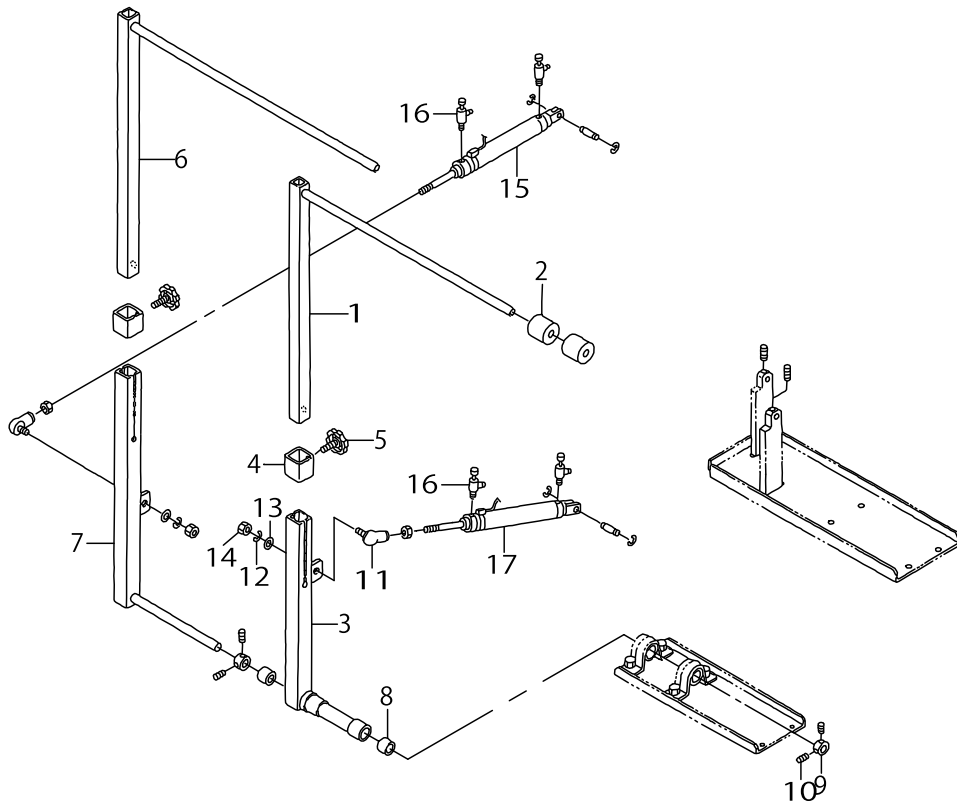
PANEL BOX COMPONENTS



PANEL BOX COMPONENTS

No.	Parts No.	Parts name	Remarks	Level	Cons	Qty
1	M85305440A0	PANEL BOX ASM.				1
2	M1030544000	FRAME PANEL BOX		*		1
3	M1031544000	FRAME PANEL BOX COVER		*		1
4	SL4030881SF	SCREW		*		5
5	M8630544000	PANEL MEMBRANE SWITCH		*		1
6	M1032540000	REINFORCEMENT PLATE		*		1
7	NM3034000SF	FLANGE NUT		*		6
8	M8631543AA0	PANEL CIRCUIT BOARD ASM.		*		1
9	SL4030881SF	SCREW		*		5
10	M85405440A0	CONNECTING CABLE ASM. 50P		*		1
11	M85415440A0	CONNECTING CABLE ASM. 34P		*		1
12	M1033543000	COVER		*		1
13	G6010003000	KNOB SCREW		*		2
14	SL4020881SC	SCREW M2 X 8		*		4
15	M85425430A0	FUNCTION SELECT SW ASM. 1		*		1
16	M85435430A0	FUNCTION SELECT SW ASM. 2		*		1
17	M1040544000	FUNCTION SELECT SEAL		*		1
18	TA0800504R0	PLUG D=8 L=4.5		*		1
19	M85425440A0	EARTH CORD ASM.		*		1
20	WT0320001KN	WASHER		*		6
21	E9567319000	EARTH MARK		*		1

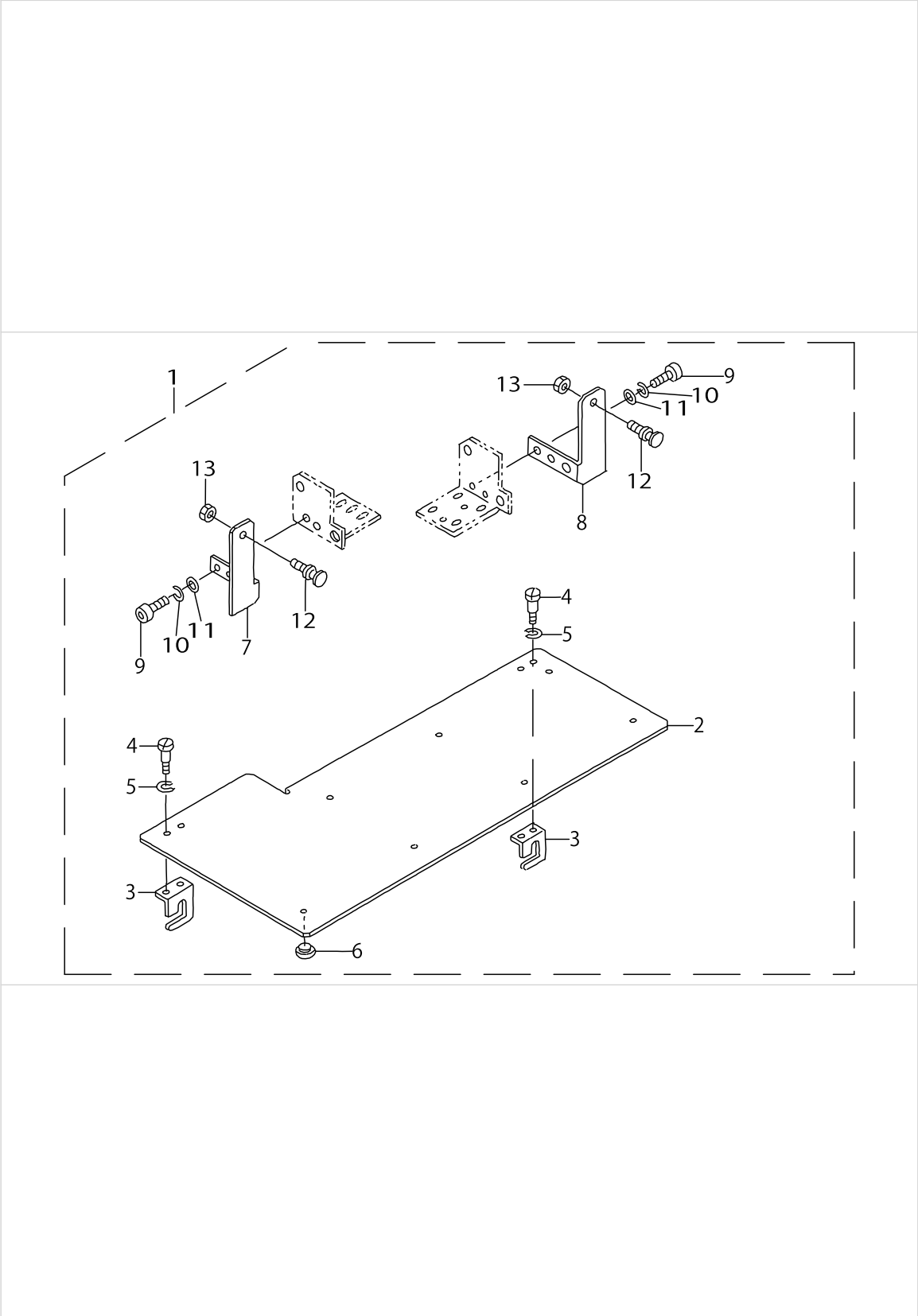
STACKER CYLINDER COMPONENTS



STACKER CYLINDER COMPONENTS

No.	Parts No.	Parts name	Remarks	Level	Cons	Qty
1	G5204164000	CLOTH PRESSER				1
2	G5216164000	STACKER RING				5
3	G5205164000	CLOTH PRESSER				1
4	G5208164000	BAR LOCKER				2
5	G5221164000	KNOB				2
6	G5206164000	CLOTH PAYMENT				1
7	G5207164000	CLOTH PAYMENT				1
8	G5218164000	BEARING				2
9	G2543270000	SHAFT STOP COLLAR A				2
10	SM8040402TP	SCREW M4X0.7 L=4				4
11	G5204171000	LINK BOLL				2
12	WS0820002KN	SPRING WASHER M8				2
13	WP0841601SC	WASHER 8.4X17.4X1.6				2
14	NM6080003SC	NUT M8				2
15	G61081640A0	CLOTH SWEEPING CYLINDER ASM.				1
16	PC015108000	SPEED CONTROLLER				4
17	G61091640A0	CLOTH PRESSER CYLINDER ASM.				1

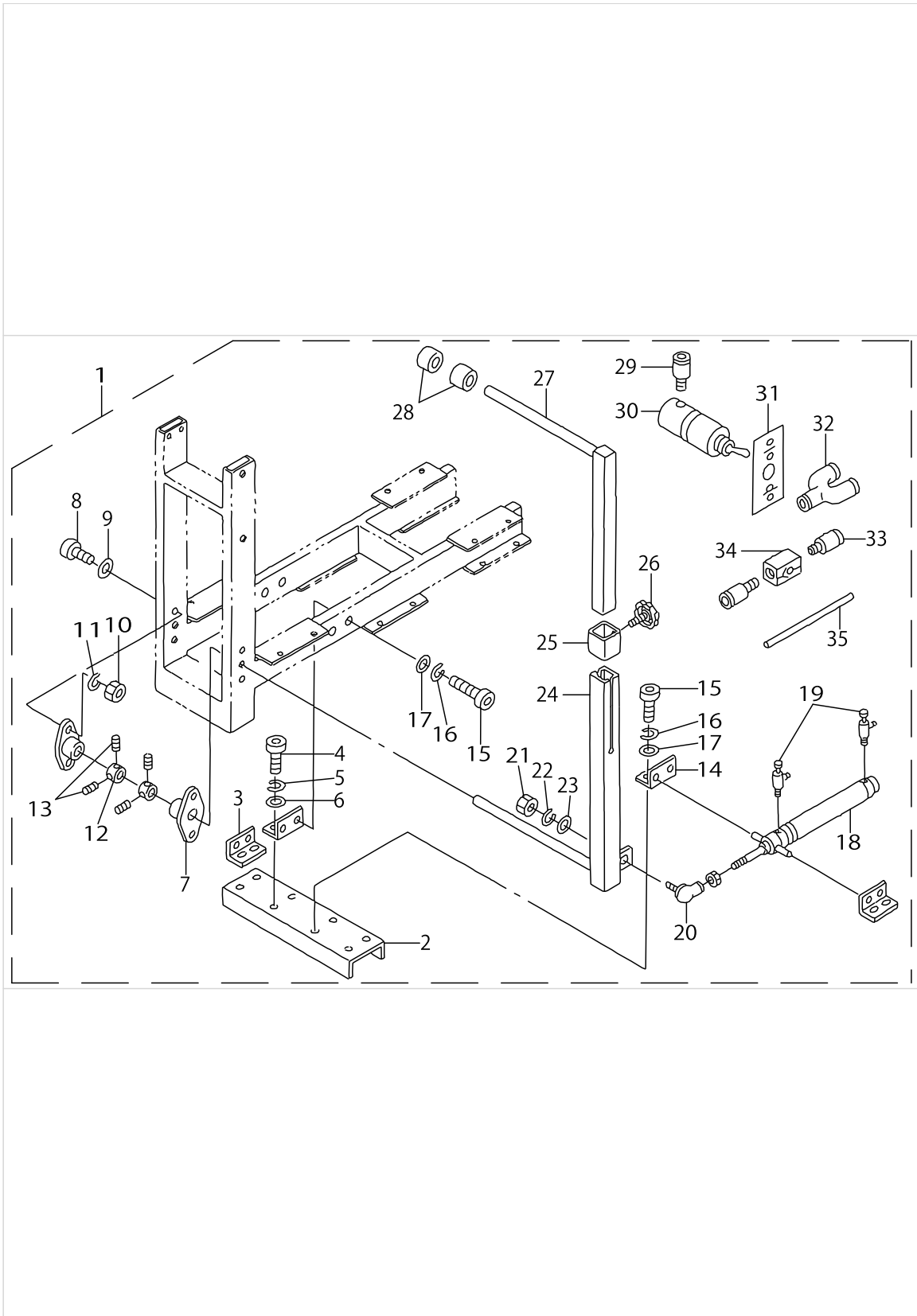
ASSISTANT FEED PLATE COMPONENTS



ASSISTANT FEED PLATE COMPONENTS

No.	Parts No.	Parts name	Remarks	Level	Cons	Qty
1	G55101640A0	AUXILIARY FEED BOARD ASM.				1
2	G5510164000	AUXILIARY FEED BOARD		*		1
3	G5511164000	BRACKET		*		2
4	SD0400191TP	HINGE SCREW D=4 H=1.8		*		4
5	WS0410002KN	SPRING WASHER		*		4
6	G5178162000	SLIDER		*		8
7	G5512164000	AUXILIARY FEED SUPPORT (LEFT)		*		1
8	G5513164000	AUXILIARY FEED SUPPORT (RIGHT)		*		1
9	SM6061002TP	SCREW M6 L=10		*		4
10	WS0610002KN	SPRING WASHER 6.1X12.2X1.5		*		4
11	WP0641601SC	WASHER		*		4
12	B1523232000	REGULATING SCREW		*		2
13	NS6090310SP	NUT 9/64-40		*		2

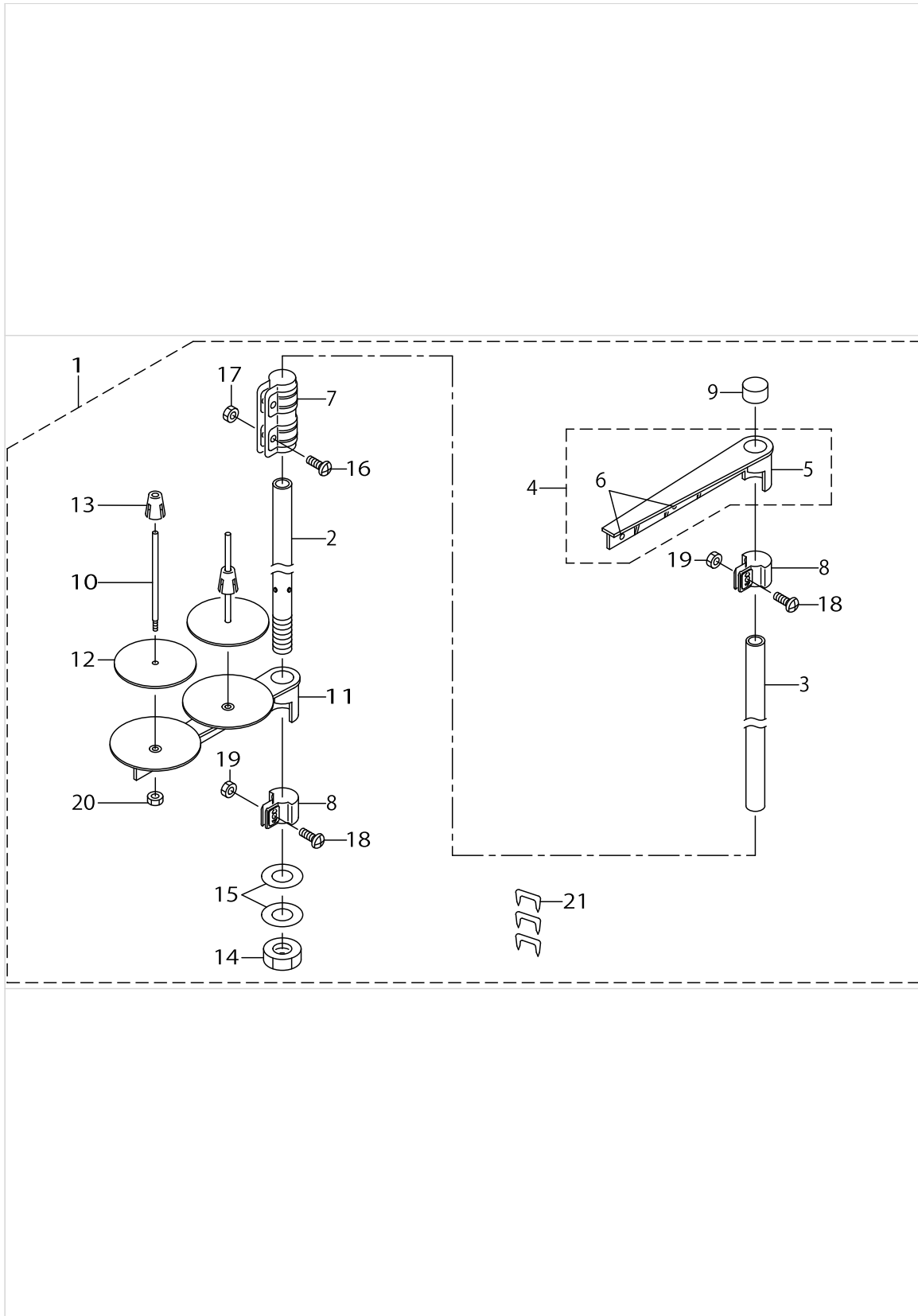
NO.2 PRESSER COMPONENTS



NO.2 PRESSER COMPONENTS

No.	Parts No.	Parts name	Remarks	Level	Cons	Qty
1	G55141640A0	PRESSER ASM., NO.2				1
2	G5514164000	CYLINDER SUPPORT BASE		*		1
3	G5038171000	SIDE PLATE SUPPORT		*		2
4	SM6061202TP	SCREW M6 L=12		*		4
5	WS0610002KN	SPRING WASHER 6.1X12.2X1.5		*		4
6	WP0641601SC	WASHER		*		4
7	G5518164000	FLANGE UNIT		*		2
8	SM6061202TP	SCREW M6 L=12		*		4
9	WP0641601SC	WASHER		*		4
10	NM6060001SC	NUT M6		*		4
11	WS0610002KN	SPRING WASHER 6.1X12.2X1.5		*		4
12	G5215171000	THRUST COLLAR		*		2
13	SM8060812TP	SCREW M6 L=8		*		4
14	G5515164000	CYLINDER BRACKET		*		2
15	SM6061202TP	SCREW M6 L=12		*		8
16	WS0610002KN	SPRING WASHER 6.1X12.2X1.5		*		8
17	WP0641601SC	WASHER		*		8
18	PA2007503A0	AIR CYLINDER		*		1
19	PC015108000	SPEED CONTROLLER		*		2
20	G5204171000	LINK BOLL		*		1
21	NM6080003SC	NUT M8		*		1
22	WS0820002KN	SPRING WASHER M8		*		1
23	WP0841601SC	WASHER 8.4X17.4X1.6		*		1
24	G5517164000	PRESSER, LOWER		*		1
25	G5208164000	BAR LOCKER		*		1
26	G5221164000	KNOB		*		1
27	G5516164000	PRESSER, UPPER		*		1
28	G5216164000	STACKER RING		*		5
29	PJ301040504	JOINTING		*		3
30	PV010507000	VALVE		*		1
31	G5519164000	STACKER OPEN SWITCH LABEL		*		1
32	PJ308040002	QUICK COUPLING		*		1
33	PJ301040504	JOINTING		*		2
34	PV020501000	CHECK VALVE		*		1
35	BT0400251EB	URETHANE HOSE, BLACK		*		1

THREAD STAND COMPONENTS



THREAD STAND COMPONENTS

No.	Parts No.	Parts name	Remarks	Level	Cons	Qty
1	11185055	THREAD STAND ASM.				1
2	11185105	SPOOL REST ROD,LOWER		*		1
3	11185204	SPOOL REST ROD,UPPER		*		1
4	11185352	THREAD GUIDE ASM.		*		1
5	11185303	THREAD GUIDE		*		1
6	B3319704L00	THREAD GUIDE		*		2
7	B3305704000A	SPOOL REST ROD JOINT		*		1
8	11185402	THREAD GUIDE ARM JOINT		*		2
9	B3311704000	SPOOL REST ROD CAP		*		1
10	B3320704L00A	SPOOL PIN		*		2
11	11185006	SPOOL REST ARM		*		1
12	B3311012000	SPOOL REST CUSHION		*		2
13	11185501	SPOOL RETAINER		*		2
14	B3317704000	NUT		*		1
15	WP1612616SE	WASHER 16X30X2.6		*		2
16	SM4051405SE	SCREW M5 L=14		*		2
17	NM6050001SE	NUT M5		*		2
18	SM4051405SE	SCREW M5 L=14		*		2
19	NM6050001SE	NUT M5		*		2
20	NM6050001SE	NUT M5		*		2
21	MAO11532000	CORD STAPLE		*		3

LIST FOR INFORMATION OF CHANGE (1)

As to the place changed, refer to the corresponding Rev.No.
 When previous parts(Obsoleted part)and new parts(Added parts)are
 not interchangeable with each other:
 In this case,even obsoleted parts(D.)can be ordered with the
 obsoleted part number,so select the parts with changed dates and
 place your orders.

変更箇所は、該当Rev.No.版をご参照ください。
 部品の互換性がない変更の場合は、削除された品番でも、ご注文できます。

29039104
 No.0633-05 Rev.No.

*A:Added parts追加部品/D:Obsoleted parts削除部品/E:Erratum訂正

* Rev. No.	Page 頁	Ref. No.	Parts No. 品番	* Rev. No.	Page 頁	Ref. No.	Parts No. 品番
D 04	1	39	D2121-555-D00	A 05	1	39	B3013-141-H0A
D 04	14	1	MAZ-16727000	A 05	14	1	MAZ-08920000-A
D 04	14	23	WP-0451026-SH	A 05	14	23	WP-0451026-SD
D 04	15	9	MAZ-16715000	A 05	15	9	MAZ-08915000-A
D 04	18	21	B2549-372-R00	A 05	18	21	B2549-372-R00-A
D 04	18	24	B2548-372-RA0	A 05	18	24	B2548-372-R00-A
D 04	18	34	MAZ-16715000	A 05	18	34	MAZ-08915000-A
				A 05	18	73	WS-0410002-KN
				A 05	18	74	SM-6051602-TP
				A 05	18	75	WS-0510002-KN
D 04	24	26	SK-3381301-SC	A 05	24	26	SM-8050602-TP
D 04	36	26	GBR-21105000	A 05	36	26	182-28007
D 04	36	33	182-12704	A 05	36	33	182-28106
D 04	36	34	182-12605	A 05	36	34	WS-0410002-KN
D 04	36	35	165-91505	A 05	36	35	HX-0033900-0B
D 04	36	36	GBR-11116000	A 05	36	36	HX-0033900-00
D 04	36	37	SM-0040801-SC				
D 04	36	38	WS-0410002-KN				
D 04	36	39	NM-6040003-SC				
				A 05	58	48	M8510-544-BA0
				A 05	58	49	M8529-544-OA0
				A 05	58	50	M8520-544-OA0
				A 05	58	51	M8521-544-OA0
				A 05	58	52	M8522-544-OA0
				A 05	58	53	M8524-544-OA0
				A 05	58	54	M8525-544-OA0
				A 05	58	55	M8526-544-OA0
				A 05	58	56	M8524-540-OA0
				A 05	58	57	M8525-540-OA0
				A 05	58	58	G8015-397-000
				A 05	58	59	M3007-519-000

HOW TO MAKE USE OF THIS PARTS LIST

1.Explanation of codes

1)"*"mark.....means this part is changed from the previous parts book.

As to the details of the change, refer to the "List for information of change".

2)"#01".....refer to "Note" explanation at bottom of page.

2.Codes on the "Qty" column

• Each numeral indicates the number of parts required.

• "0.1" and "2.5" indicate the length (in meters) of the respective parts.

3.Parentheses mean that the corresponding part is a subpart that constructs an assembly part.

4.Dotted lines on the Figures indicate assembly parts.

1."注記"欄の記号説明

1) "*"印.....前回のパーツブックに比較して今回変更された部品を意味します。

変更内容は、"変更情報リスト"を参照してください。

2) "#01".....ページ下の"注記"の説明を参照してください。

2.数量欄の数字は、個数を表し、0.1、2.5等の数値は、長さ（単位メートル）を表します。

3.数量欄の（ ）は、組部品を構成している子部品であることを意味します。

4.イラストページの-----枠は、組構成であることを意味します。

Other parts list related to this model.

この機種に関するパーツリストとして下記のパーツリストがあります。

1.LK-1850 SERIER(No.0540)

High speed 1-needle cylinder bed lockstitch bar tacking industrial sewing machine.

高速一本針本縫筒型門止めミシン

NUMERICAL INDEX OF PARTS

PART NO	PAGE	REF NO.	PART NO	PAGE	REF NO.	PART NO	PAGE	REF NO.
10004109	90	20	13809009	14	4	13817408	12	25
10519205	12	19	13809157	14	6	16111403	66	33
11110707	44	54	13809207	20	4	16111502	66	34
11185006	112	11	13809306	20	1	16550204	42	32
11185055	112	1	13809405	20	2	16550402	42	35
11185105	112	2	13809504	20	5	16551806	42	28
11185204	112	3	13809553	20	3	16551905	42	16
11185303	112	5	13809603	20	23	16552309	42	20
11185352	112	4	13809702	20	24	16552507	38	1
11185402	112	8	13809801	20	6	16552606	38	9
11185501	112	13	13809900	20	7	16553208	38	21
13516505	20	26	13810007	20	8	16553208	48	5
13517206	20	27	13810106	20	9	16553307	38	22
13517404	20	10	13810205	20	25	16553406	40	60
13518105	2	43	13810304	36	51	16553505	40	61
13518105	82	43	13810403	36	50	16554008	38	42
13525506	58	35	13811906	36	52	16554008	48	47
13531207	88	69-70	13812003	36	53	16554503	38	31
13531504	88	69-70	13812102	10	6	16556300	42	34
13533203	58	31	13812102	58	30	16556409	42	33
13540901	34	47	13812508	18	1	16556607	42	29
13541305	12	4	13812607	18	2	16556706	38	19
13737507	14	28	13812706	18	3	16556805	38	25
13805601	12	1	13812805	18	4	16557209	38	4
13805700	12	2	13812904	18	5	16557209	48	31
13805809	12	3	13813001	18	6	16557308	42	11
13806005	12	10	13813159	18	7	16557407	42	4
13806104	16	5	13813209	18	8	16557506	38	30
13806203	16	1	13813308	18	9	16557605	38	35
13806302	16	2	13813407	18	10	16557902	42	40
13806450	16	3	13813506	18	20	16558009	58	2
13806559	16	4	13813605	24	3	16558108	58	3
13807052	12	12	13813704	24	1	16558801	42	17
13807102	12	13	13813803	24	2	16559007	38	32
13807201	12	14	13814108	32	12	16559601	40	53
13807300	12	15	13814207	32	3	16560104	46	14
13807409	12	16	13814306	32	6	16560203	46	32
13807508	12	17	13814504	32	9	16561607	46	15
13807904	12	40	13814702	32	7	16561904	86	14
13808159	14	1	13814900	32	8	16562001	46	18
13808308	14	26	13815105	32	1	16562100	46	23
13808407	14	20	13815204	32	4	16562308	46	20
13808506	14	16	13815451	32	2	16562407	46	19
13808852	14	17	13815550	32	5	16562803	46	4
13808902	14	22	13815709	32	10	16562902	46	6

NUMERICAL INDEX OF PARTS

PART NO	PAGE	REF NO.	PART NO	PAGE	REF NO.	PART NO	PAGE	REF NO.
16562902	88	60	16577207	56	16	18217950	46	3
16565400	48	37	16577306	56	20	18218008	48	28
16565509	48	38	16577405	56	22	18218206	38	3
16565707	48	7	16577504	56	11	18218909	48	6
16565905	50	75	16586307	62	28	18219006	40	55
16566002	48	4	16870206	62	25	18219204	48	46
16566408	48	25	18200303	52	29	18219501	52	20
16566507	48	1	18200352	52	27	18219600	52	40
16566606	48	10	18200501	42	36	18219709	38	2
16567000	48	14	18200501	58	1	18219808	38	10
16567166	48	40	18200907	54	63	18222604	62	27
16567802	50	49	18200956	54	62	18227553	46	9
16567901	50	52	18201103	54	52	18227702	38	17
16568206	50	60	18201608	48	27	18227850	38	7
16568404	52	30	18201905	52	6	18227959	42	5
16568602	54	60	18201962	52	1	18228007	62	26
16568651	54	59	18202002	52	7	18228106	62	33
16568909	52	26	18202150	48	30	18250407	58	38
16569204	52	11	18202408	56	23	18250506	58	39
16569501	52	18	18203307	52	4	18251553	56	27
16569600	52	17	18204107	48	43	B1110280000	18	11
16570103	52	21	18204503	52	25	B1123280000	14	24
16570202	52	22	18204701	58	36	B1141229000	60	46
16570301	52	23	18205401	42	21	B1240980000	32	11
16570509	54	48	18205609	42	18	B12629800A0	16	8
16570657	54	50	18205708	42	13	B1414232000	20	29
16570707	52	33	18205906	42	6	B141423200A	20	28
16570905	52	37	18206003	42	1	B1523232000	108	12
16571408	54	49	18206201	42	15	B1649161000	44	62
16571507	52	43	18206409	42	7	B1663804000	20	11
16571804	52	45	18206656	42	12	B18289800BB	10	7
16571903	52	15	18206706	38	24	B2107816000	48	8
16572406	48	24	18206904	38	36	B2107816000	54	55
16572505	50	50	18207209	46	11	B2303220000	12	22
16572703	52	64	18207506	46	13	B2313280000	12	21
16572703	54	64	18207605	36	60	B2351180000	14	11
16573008	52	14	18207902	38	14	B242328000D	18	12
16573305	50	53	18208900	36	64	B2544280000	64	30
16573701	52	2	18209007	36	61	B2548372R00A	34	24
16573800	52	10	18209403	50	61	B2549372R00A	34	21
16573909	52	46	18209502	48	44	B2553372000	34	40
16574006	48	18	18212506	46	8	B2559372000	28	14
16574105	48	3	18212902	54	65	B2559372000	34	38
16577009	56	1	18217505	50	48	B2560372000	34	41
16577108	56	18	18217752	38	34	B2561372000	34	44

NUMERICAL INDEX OF PARTS

PART NO	PAGE	REF NO.	PART NO	PAGE	REF NO.	PART NO	PAGE	REF NO.
B3052816000	54	69	B9112012000	58	23	E8523304000	94	23
B3107804000	12	24	B9113012000	58	24	E9567319000	104	21
B3112761000	12	23	B9118232000	58	12	E9602701000	90	29
B3114232000	12	28	B91210120A0	58	13	E9602701000	94	22
B3120125000	12	26	B9141372000	58	17	E9611601000	94	24
B3125012000	36	57	B9142372000	58	14	EA9500B0100	66	9
B3125155000	20	12	B9143372000	58	25	EA9500B0100	76	39
B3126012000	12	27	BT0400251EB	66	39	EA9500B0100	100	3
B3132552000	12	29	BT0400251EB	96	27	EA9544B0200	94	21
B32012100A0	6	17	BT0400251EB	110	35	G2303270000	12	31
B3203210000	6	19	BT0600401EB	66	38	G2526270000	76	32
B3204210000	6	3	CM200100001	92	61	G2526270000	96	16
B3205210000	6	20	CM300100001	90	47	G2543270000	78	9
B3206210000	6	9	CM300100001	98	22	G2543270000	106	9
B3207210000	6	13	CM300100101	90	46	G5001164000	60	13
B3208210000	6	11	CM300100101	98	21	G5002164000	60	22
B3208280000	6	16	CM300200003	4	56	G5003164000	60	26
B3209210000	6	10	CM300200003	76	43	G5004164000	60	28
B3210210000	6	4	CM300200003	84	56	G5005164000	60	29
B3211210000	6	7	CM3002000B1	4	55	G5006164000	78	38
B3212210000	6	8	CM3002000B1	84	55	G5007164A00	78	46
B3212761000	6	2	CM3002000B2	76	42	G5008164000	80	71
B3213210000	16	6	CM300200202	62	37	G5009162000	64	25
B3214047000	6	24	CM300600101	88	75	G5009164000	68	20
B3214047000	14	10	CM500000001	88	74	G5010164000	68	19
B3216047000	6	26	CM500100001	88	73	G5011164000	72	11
B3218232000	6	25	CS1001011SH	12	5	G5012164000	72	10
B3218232000	14	9	D1401L7VV00	10	8	G5013164000	72	12
B3219232000	6	23	D1405M7WF00	10	1	G5014164000	72	26
B3305704000A	112	7	D1901L7VVB0	10	3	G5015164000	60	10
B3311012000	112	12	D1904L7VV00	10	4	G5016164000	60	1
B3311704000	112	9	D1906L7VV00	10	5	G5017164A00	60	11
B3317704000	112	14	D2427555B00B	18	14	G5018164000	60	2
B3319704L00	112	6	D2430555B00	6	14	G5019164000	72	40
B3320704L00A	112	10	D2502232D00	34	7	G5019171000	64	15
B3518352000	18	13	D2505232D00	34	5	G5020164000	60	12
B4131357000	76	28	D2527232D00	36	55	G5020171000	64	16
B7101761BA0	88	66	D2528232D00	36	56	G5021164000	60	45
B8170220000	2	38	D2548232D00	34	11	G5021171000	64	29
B8170220000	82	38	D2572M1YC0F	34	10	G5022164000	2	45
B8601WP10A0	58	34	D2713M1YCA0	18	15	G5022164000	60	44
B9101552000	58	32	D3149141E00	26	14	G5022164000	82	45
B9109555000	58	20	D3162555B00	14	18	G5023164000	60	47
B9110012000	58	21	D9101L9SB00	58	16	G5024164000	64	8
B9111012000	58	22	E5006171000	44	52	G5025164000	64	1

NUMERICAL INDEX OF PARTS

PART NO	PAGE	REF NO.	PART NO	PAGE	REF NO.	PART NO	PAGE	REF NO.
G5026162000	62	24	G5118164000	76	6	G5209164000	82	28
G5026164000	64	13	G5119164000	76	7	G5210164000	2	5
G5027164000	64	4	G5120164000	68	14	G5210164000	82	5
G5028164000	60	34	G5121164000	68	15	G5211164000	2	29
G5029164000	66	1	G5122164000	68	16	G5211164000	82	29
G5030164000	78	47	G5123164000	68	17	G5212164000	2	33
G5032164000	60	19	G5124164000	76	11	G5212164000	82	33
G5033164000	62	5	G5124164000	96	11	G5213164000	2	42
G5033172000	60	18	G5125164000	76	15	G5213164000	82	42
G5034164000	62	1	G5125164000	96	15	G5214164000	2	46
G5034171000	60	40	G5126164000	76	16	G5214164000	82	46
G5034171000	62	20	G5126164000	96	20	G5215164000	2	47
G5035164000	62	7	G5127164000	76	17	G5215164000	82	47
G5036164000	62	3	G5128164000	76	18	G5215171000	110	12
G5037164000	62	12	G5129164000	76	20	G5216164000	106	2
G5038164000	62	14	G5130164A00	76	22	G5216164000	110	28
G5038171000	60	38	G51311640A0	76	23	G5217164000	2	23
G5038171000	110	3	G5132164000	76	25	G5217164000	82	23
G5039164A00	62	9	G5133164000	76	26	G5218164000	106	8
G5040164000	62	16	G5134164000	68	18	G5219164000	2	14
G5041164000	60	14	G5135164000	58	4	G5219164000	82	14
G5042164A00	86	27	G5138161000	58	5	G5220164000	2	9
G5045164000	60	6	G5138161000	64	12	G5220164000	82	9
G5045171000	60	39	G5138161000	76	33	G5221164000	106	5
G5046164000	66	44	G5138161000	96	36	G5221164000	110	26
G5101164000	72	1	G5139164000	58	33	G5234164000	2	34
G5102164000	72	2	G5144162000	76	27	G5234164000	82	34
G5103164000	68	1	G5146171000	78	31	G5235164000	4	51
G5104164000	68	2	G5153171000	40	48	G5235164000	84	51
G5105164000	68	3	G5153171000	72	16	G5301164000	78	1
G5106164000	68	4	G5153171000	80	79	G5302164000	78	5
G5107164000	68	5	G5178162000	108	6	G5303164000	78	11
G5108164000	68	6	G5202164000	2	10	G5304164000	78	12
G5109164000	68	7	G5202164000	82	10	G5305164000	78	16
G5109171000	72	33	G5203164000	2	19	G5306164000	78	18
G5110164000	68	8	G5203164000	82	19	G5307164000	78	19
G5110171000	72	34	G5204164000	106	1	G5308164000	78	20
G51111640A0	68	9	G5204171000	106	11	G5309164000	78	21
G5111171000	72	36	G5204171000	110	20	G5310164000	78	22
G5112164000	68	11	G5205164000	106	3	G5311164000	78	26
G5113164000	68	10	G5206164000	106	6	G5312164000	78	27
G5114164000	68	12	G5207164000	106	7	G5313164000	78	32
G5115164000	68	13	G5208164000	106	4	G5314164000	78	33
G5116164000	76	1	G5208164000	110	25	G5315164000	78	29
G5117164000B	76	2	G5209164000	2	28	G5316164000	78	37

NUMERICAL INDEX OF PARTS

PART NO	PAGE	REF NO.	PART NO	PAGE	REF NO.	PART NO	PAGE	REF NO.
G5327164000	78	43	G55141640A0	110	1	GBR01431000	56	9
G5328164000	78	44	G5515164000	110	14	GBR01432000	56	10
G5329164000	80	51	G5516164000	110	27	GBR01437000	58	37
G5330164000	80	55	G5517164000	110	24	GBR01441000	56	4
G5331164000	80	56	G5518164000	110	7	GBR01601000A	34	23
G5332164000	78	39	G5519164000	110	31	GBR01606000	34	18
G5384171000	80	69	G5520164A00	36	71	GBR01607000	34	16
G5401164A00	62	11	G5521164A00	36	72	GBR10782000	98	19
G5402164A00	86	1	G5841270000	66	37	GBR10802000	98	2
G5403164000	80	58	G6010003000	104	13	GBR108210A0	98	8
G5406164000	86	4	G61011640A0	72	30	GBR108430A0	48	21
G5407164A00	86	37	G61021640A0	72	13	GBR108440A0	48	19
G5410164000	86	45	G61031640A0	72	31	GBR108450A0	54	67
G5411164000	88	63	G61041640A0	64	20	GBR10852000	38	43
G5412164000	88	58	G61051640A0	80	75	GBR10853000	50	59
G5414171000	88	53	G61071640A0	66	31	GBR10854000	50	62
G5416164000	88	62	G61081640A0	106	15	GBR108550A0	42	42
G5416171000	88	54	G61091640A0	106	17	GBR108560A0	52	47
G5417164000	86	44	G61101640A0	72	47	GBR108590A0	46	27
G5418164000	46	25	G61111640A0	74	48	GBR11101000	38	38
G5418164000	86	24	G61121640A0	76	41	GBR11102000	38	46
G5419164000	86	18	G6312166000	94	4	GBR11104000	38	44
G5420164000	86	16	G64011640A0	66	6	GBR11107000	46	21
G5421162000	86	28	G64021640A0	66	16	GBR11108000	42	9
G5421164000	86	25	G65021640A0	72	32	GBR11109000	44	59
G5422164B00	86	42	G67041640A0	88	71	GBR11110000	44	49
G5423164000	86	26	G6801164000	66	40	GBR11111000	44	50
G5458116000	66	35	G6802164000	66	41	GBR11112000	44	55
G5501164000	96	2	G8015397000	92	58	GBR11113000	44	64
G55011640A0	96	1	GAF010020B0	20	35	GBR11114000	44	51
G5502164000	96	5	GAF01007000	20	39	GBR11781000	98	11
G5503164000	96	6	GAF01009000	20	40	GBR117830A0	98	14
G5504164000	96	7	GAF01012000	20	47	GBR117840A0	98	15
G5505164000	96	17	GBR01120000	46	1	GBR117850A0	98	13
G5506164000	96	21	GBR01126000A	46	10	GBR117860A0	98	12
G5507164000	96	25	GBR01160000	36	59	GBR11801000	98	6
G5508164000	96	32	GBR01161000	36	58	GBR118010A0	98	1
G55081640A0	96	31	GBR01168000	46	17	GBR118110A0	98	7
G5509164000	96	37	GBR01175000	42	41	GBR118220A0	98	9
G5510164000	108	2	GBR01422000	58	7	GBR118470A0	38	45
G55101640A0	108	1	GBR014220A0	56	26	GBR21103000	38	47
G5511164000	108	3	GBR01423000	58	6	GBR218420A0	40	49
G5512164000	108	7	GBR01426000	56	2	GBR218460A0	98	20
G5513164000	108	8	GBR01428000	56	14	GCT02904000	58	18
G5514164000	110	2	GBR01429000A	56	19	GCT02905000	58	19

NUMERICAL INDEX OF PARTS

PART NO	PAGE	REF NO.	PART NO	PAGE	REF NO.	PART NO	PAGE	REF NO.
GCT02906000	58	15	HX001500000	80	80	M85425440A0	104	19
HA000500000	102	9	HX00150000A	26	28	M85435430A0	104	16
HA000830000	58	11	HX00150000A	76	37	M8601543BA0	90	5
HA001080020	100	4	HX00222000A	90	34	M8601543BA0	100	1
HA001080030	102	8	HX002400000	94	2	M8602544AA0A	90	7
HA001080040	100	5	HX00269000B	90	12	M8602544AA0A	102	1
HA001080080	102	6	HX003330000	8	6	M8603544000	94	9
HA002330000	102	7	HX003390000	54	68	M8603544AA0	90	11
HC011504720	94	19	HX003390000	62	36	M8603544AA0	94	8
HC027501030	94	18	HX00339000B	62	35	M8630544000	104	5
HD000360000	46	28	HX004100000	90	35	M8631543AA0	94	1
HD000670000	58	9	M1001544000A	90	1	M8631543AA0	104	8
HD000830000	58	8	M10025440A0	90	2	M9620110000	90	45
HD000840000	58	10	M1004540000	90	4	MAO11532000	112	21
HF00511000B	90	27	M1004544000A	90	9	MAO11602N00	64	21
HF005111000	90	26	M1010544000	90	38·60	MAZ088270A0	34	19
HG002650000	94	14	M1010544B00	92	38·60	MAZ08829000	34	39
HG003770000	94	16	M1020544000	90	39	MAZ08915000A	28	9
HG003780000	94	15	M1021540000	90	43	MAZ08915000A	34	34
HG004350000	94	3	M1021544000	90	42	MAZ08916000	28	6
HG004750000	94	6	M1022543000	90	40	MAZ08916000	34	31
HK017150070	90	30	M1022544000	90	41	MAZ08917000	28	8
HK03464000A	66	18	M1030544000	104	2	MAZ08917000	34	33
HK044350120	86	35	M1031544000	104	3	MAZ08919000	26	4
HK044450060	90	32	M1032540000	104	6	MAZ08920000A	26	1
HK054250040	92	62	M1033543000	104	12	MAZ08921000	26	2
HL006940000	94	10	M1040544000	104	17	MAZ089830A0	16	11
HL008420043	100	6	M3007519000	92	59	MAZ15502000	36	66
HL008420044	102	13	M85105440A0	90	13·48	MAZ15503000	34	4
HL011800000	94	13	M8510544BA0	92	13·48	MAZ155030A0	34	3
HL011820000	94	12	M85115440A0	90	15	MAZ155030B0	34	2
HM0003800A0	90	16	M85205440A0	92	50	MAZ15504000	34	6
HM000570000	72	9	M85215400A0	90	19·49	MAZ15505000	34	27
HM000570010	90	24	M85215440A0	92	51	MAZ15509000	28	12
HR030301030	94	7	M85225440A0	92	52	MAZ15514000	34	46
HT002570000	102	4	M85245400A0	92	56	MAZ15515000	34	12
HT003570000	102	5	M85245440A0	92	53	MAZ15517000	34	13
HT003640000	102	3	M85255400A0	92	57	MAZ15518000	34	43
HT003920000	102	2	M85255440A0	92	54	MAZ15601000	28	1
HX000240000	90	36	M85265440A0	92	55	MAZ15602000	28	2
HX00024000C	90	37	M85295440A0	92	19·49	MAZ15801000	36	67
HX00055000J	66	19	M85305440A0	104	1	MAZ165070A0	34	36
HX00094000C	94	5	M85405440A0	104	10	MAZ165070B0	34	35
HX000980000	98	4	M85415440A0	104	11	MAZ16522000	34	42
HX001160000	100	2	M85425430A0	104	15	MAZ16523000	6	29

NUMERICAL INDEX OF PARTS

PART NO	PAGE	REF NO.	PART NO	PAGE	REF NO.	PART NO	PAGE	REF NO.
MAZ165230A0	6	1	NM6040001SC	38	62	NS6150440SP	20	14
MAZ16524000	6	30	NM6040001SC	40	62	PA0601004A0	26	17
MAZ16525000	6	22	NM6040001SC	42	37	PA160100500	76	34
MAZ165250A0	6	21	NM6040001SC	46	5	PA160100500	96	23
MAZ16526000	30	1	NM6040001SC	48	73	PA1601510A0	88	56
MAZ16530000	20	42	NM6040001SC	50	73	PA2003502A0	86	34
MAZ165300A0	20	34	NM6040001SC	52	24	PA2007503A0	110	18
MAZ16531000	20	44	NM6050001SC	38	23	PC010511000	88	68
MAZ16532000	22	49	NM6050001SC	42	3	PC010514000	66	20
MAZ16533000	8	2	NM6050001SC	46	7	PC015108000	106	16
MAZ16534000	8	1	NM6050001SC	86	64	PC015108000	110	19
MAZ16535000	20	45	NM6050001SC	88	64	PF0552090A0	66	21
MAZ16538000	6	32	NM6050001SE	112	20	PH0300125S0	44	48
MAZ165390A0	12	7	NM6060001SC	56	5	PH0300185S0	52	16
MAZ166070A0	28	11	NM6060001SC	60	33	PJ015251001	66	32
MAZ166070B0	28	10	NM6060001SC	76	19	PJ020500001	66	14
MAZ16714000	34	29	NM6060001SC	86	46	PJ030520001	66	29
MAZ167140A0	34	28	NM6060001SC	96	22	PJ046052503	26	18
MAZ167140B0	34	1	NM6060001SC	110	10	PJ050525201	66	27
MAZ16718000	26	15	NM6080001SC	2	41	PJ301040504	66	13
MAZ16722000	26	5	NM6080001SC	56	21	PJ301040504	110	33
MAZ16723000	26	11	NM6080001SC	78	6	PJ301060503	86	36
MAZ16726000	26	9	NM6080001SC	82	41	PJ301065103	66	15
MAZ167310A0	12	20	NM6080003SC	106	14	PJ301065201	66	28
MAZ16742000	16	9	NM6080003SC	110	21	PJ303060001	66	36
MAZ16743000	16	10	NM6160001SC	60	20	PJ304040504	76	36
MAZ167810A0	8	7	NM6860003SC	26	3	PJ304040504	88	57
MAZ167820A0	26	29	NM7030510SA	26	16	PJ305040503	96	28
MAZ16814000	28	4	NS6080210SP	26	10	PJ305065201	66	30
MAZ168140A0	28	3	NS6080210SP	34	17	PJ308040002	110	32
MC372000900	10	11	NS6090310SP	18	16	PJ309005201	66	23
MC372000905	58	28	NS6090310SP	34	25	PJ309005203	66	22
MC372001000	10	12	NS6090310SP	108	13	PS0150065KP	6	12
MC372001005	58	29	NS6110310SP	6	27	PV010507000	110	30
MDP170B1400	10	9	NS6110310SP	14	8	PV020501000	110	34
MDP170B1404	58	26	NS6110350SP	12	32	PV1551070A0	66	17
MDP170B1600	10	10	NS6110350SP	14	21	PV1551080A0	66	7
MDP170B1604	58	27	NS6110360SP	44	63	PX500018000	88	55
MTJMG000000	88	67	NS6110420SP	26	24	RC2500001KP	46	2
MTJMS00000S	88	65	NS6110430SP	12	33	RE0200000K0	38	5
MTJMS000060	86	2	NS6110530SP	6	15	RE0200000K0	48	32
NM3034000SF	94	20	NS6120310SP	14	13	RE0250000K0	50	51
NM3034000SF	102	12	NS6150310SP	14	25	RE0400000K0	64	14
NM3034000SF	104	7	NS6150310SP	34	45	RE0600000K0	86	17
NM3040520SF	90	18	NS6150350SP	20	13	RE0700000K0	2	44

NUMERICAL INDEX OF PARTS

PART NO	PAGE	REF NO.	PART NO	PAGE	REF NO.	PART NO	PAGE	REF NO.
RE070000K0	34	8	SL4041081SF	66	42	SM6030802TP	84	52
RE070000K0	82	44	SL4041081SF	74	49	SM6031002TP	40	50
RE120000K0	48	36	SL4041081SF	80	81	SM6031002TP	80	70
SB110000400	52	42	SL4041081SF	90	25	SM6031002TP	96	33
SB115000400	38	13	SL4041091SC	98	16	SM6031202TP	42	8
SD0400191TP	108	4	SL4051091SC	90	14	SM6031402TP	40	56
SD0450403TP	26	13	SM0030601SA	78	45	SM6031402TP	42	31
SD0500091TP	18	17	SM0040601SA	62	32	SM6031502TP	72	14
SD0500404SP	34	22	SM0040601SA	76	38	SM6031502TP	80	76
SD0530221SP	20	30	SM0040601SA	78	17	SM6031602TP	64	22
SD0550271TP	18	18	SM0040601SA	86	43	SM6033052TP	66	10
SD0550303SP	34	26	SM0040601SA	90	3	SM6033052TP	72	37
SD0600322SD	18	19	SM0040601SA	96	26	SM6033052TP	76	35
SD0600341TP	38	6	SM0040601SC	48	2	SM6033052TP	96	24
SD0600401TP	38	11	SM0040601SC	52	3	SM6040602TP	80	52
SD0600651TP	44	60	SM0040601SC	56	17	SM6040602TP	96	18
SD0601021SP	38	12	SM0040801SF	56	8	SM6040802TN	98	17
SD0640241SP	20	15	SM0060801SA	60	27	SM6040802TP	2	35
SD0640321SP	12	34	SM0861201SA	48	22	SM6040802TP	42	22
SD0640321SP	20	36	SM0861201SA	54	66	SM6040802TP	50	70
SD0640326TP	12	35	SM1020801SD	16	15	SM6040802TP	60	41
SD0640602SP	12	36	SM1030801SC	8	5	SM6040802TP	62	21
SD0791271SP	12	9	SM1031401SC	44	53	SM6040802TP	64	26
SK1271301SC	60	21	SM1040601SC	52	13	SM6040802TP	68	43
SK3311301SA	72	41	SM1041201SC	52	12	SM6040802TP	72	27
SK3381301SC	86	19	SM4030601SN	56	25	SM6040802TP	78	72
SK3381301SC	98	10	SM4031851SR	92	63	SM6040802TP	80	72
SK3381601SC	60	30	SM4040801SN	56	28	SM6040802TP	82	35
SK3381601SC	80	62	SM4041001SC	90	28	SM6040802TR	48	13
SL4020881SC	104	14	SM4043601SN	90	17	SM6040802TR	52	34
SL4030681SC	98	18	SM4051001SN	56	15	SM6041002TP	38	39
SL4030881SC	52	5	SM4051405SE	112	18	SM6041002TP	42	25
SL4030881SF	86	38	SM4860501SC	52	8	SM6041002TP	48	56
SL4030881SF	104	9	SM5040601SC	98	5	SM6041002TP	50	56
SL4031081SC	46	29	SM6030402TN	96	9	SM6041002TP	54	54
SL4031081SF	94	25	SM6030602TP	2	48	SM6041002TP	62	29
SL4031081SF	102	11	SM6030602TP	26	8	SM6041002TP	68	34
SL4031281SF	94	17	SM6030602TP	44	61	SM6041202TP	2	30
SL4031291SC	102	10	SM6030602TP	60	7	SM6041202TP	36	65
SL4031481SF	90	33	SM6030602TP	82	48	SM6041202TP	48	69
SL4031481SF	94	11	SM6030802TP	4	52	SM6041202TP	50	69
SL4031681SF	90	31	SM6030802TP	16	12	SM6041202TP	52	38
SL4031891SC	90	10	SM6030802TP	52	56	SM6041202TP	78	34
SL4040691SC	90	44	SM6030802TP	54	56	SM6041202TP	82	30
SL4040691SC	98	3	SM6030802TP	72	44	SM6041202TP	88	59

NUMERICAL INDEX OF PARTS

PART NO	PAGE	REF NO.	PART NO	PAGE	REF NO.	PART NO	PAGE	REF NO.
SM6041402TP	42	30	SM8030402TP	48	39	SS7080510TP	10	2
SM6042002TP	38	26	SM8040402TP	2	27	SS7090410SP	28	13
SM6042002TP	42	44	SM8040402TP	46	30	SS7090410SP	34	37
SM6042502TP	42	10	SM8040402TP	54	51	SS7091480SP	34	20
SM6050802TP	38	37	SM8040402TP	76	40	SS7110410SP	12	41
SM6051202TP	52	53	SM8040402TP	78	10	SS7110410SP	20	48
SM6051202TP	54	53	SM8040402TP	82	27	SS7110410SP	22	48
SM6051202TP	68	50	SM8040402TP	96	30	SS7110510SP	8	4
SM6051202TP	70	50	SM8040402TP	106	10	SS7110510SP	12	8
SM6051202TP	86	49	SM8040602TP	38	33	SS7110510SP	14	5
SM6051202TP	88	49	SM8040602TP	42	19	SS7110710SP	6	31
SM6051602TP	36	74	SM8040602TP	46	22	SS7110840SP	8	3
SM6051602TP	52	41	SM8042502TP	48	11	SS7110840SP	14	2
SM6052002TP	52	31	SM8050502TP	40	59	SS7110840SP	36	54
SM6052502TP	38	15	SM8050502TP	42	43	SS7110910TP	20	46
SM6061002TP	68	31	SM8050602TP	38	8	SS7111410TP	22	50
SM6061002TP	80	59	SM8050602TP	42	2	SS7150740SP	14	14
SM6061002TP	108	9	SM8050602TP	46	36	SS8090610SP	12	30
SM6061202TN	86	9	SM8050602TP	86	15	SS8110520TP	6	6
SM6061202TN	96	8	SM8050612TP	46	12	SS8111610SP	16	7
SM6061202TP	2	20	SM8050812TP	46	16	SS8660610TP	12	18
SM6061202TP	60	35	SM8050842TP	46	31	SS9091010SP	34	9
SM6061202TP	64	9	SM8050842TP	52	44	SS9110543CP	18	22
SM6061202TP	66	24	SM8060802TP	72	35	SS9110543CP	36	68
SM6061202TP	68	46	SM8060812TP	110	13	SS9111013SP	12	42
SM6061202TP	72	20	SM9041050SC	76	29	SS9111020TP	6	18
SM6061202TP	76	8	SM9061003SC	96	3	SS9151120CP	36	70
SM6061202TP	78	48	SM9066503SC	86	5	SS9621413SP	34	14
SM6061202TP	80	48	SM9082003SC	86	32	SS9661230CP	20	33
SM6061202TP	82	20	SS4080610SP	26	19	TA0800504R0	90	22
SM6061202TP	110	15	SS4090415SP	20	16	TA0800504R0	104	18
SM6061602TP	2	24	SS4091015SP	6	28	WP0280500SC	52	9
SM6061602TP	48	33	SS4110515SP	20	17	WP0320500SC	40	58
SM6061602TP	68	28	SS4110815SP	56	3	WP0320500SC	54	58
SM6061602TP	82	24	SS4120915SP	12	38	WP0320500SC	56	24
SM6062002TP	46	33	SS5060310SP	12	11	WP0320501SC	2	54
SM6062002TP	68	52	SS6080810SP	26	25	WP0320501SC	4	54
SM6062002TP	70	52	SS6090520SP	18	21	WP0320501SC	16	14
SM6062002TP	72	6	SS6110610TP	14	23	WP0320501SC	26	27
SM6063002TP	38	18	SS6111140SP	20	18	WP0320501SC	40	52
SM6082002TN	2	15	SS6111620SP	26	21	WP0320501SC	60	9
SM6082002TN	60	15	SS6120620TP	14	27	WP0320501SC	64	24
SM6082002TN	82	15	SS6121050SP	12	39	WP0320501SC	66	12
SM6082002TN	86	39	SS6151142TP	20	31	WP0320501SC	72	46
SM6082502TN	72	23	SS6151220SP	20	38	WP0320501SC	80	78

NUMERICAL INDEX OF PARTS

PART NO	PAGE	REF NO.	PART NO	PAGE	REF NO.	PART NO	PAGE	REF NO.
WP0320501SC	82	54	WP0641601SC	60	37	WS0310702KS	92	64
WP0320501SC	84	54	WP0641601SC	64	11	WS0410002KN	2	36
WP0320501SC	96	35	WP0641601SC	66	26	WS0410002KN	36	73
WP0430800SC	38	41	WP0641601SC	68	48	WS0410002KN	38	40
WP0430800SC	42	45	WP0641601SC	70	48	WS0410002KN	42	57
WP0430800SC	48	72	WP0641601SC	72	22	WS0410002KN	44	57
WP0430800SC	50	72	WP0641601SC	76	14	WS0410002KN	48	74
WP0430800SC	52	36	WP0641601SC	78	61	WS0410002KN	50	74
WP0430800SC	56	13	WP0641601SC	80	61	WS0410002KN	52	35
WP0430800SC	62	30	WP0641601SC	82	26	WS0410002KN	60	42
WP0430801SC	2	37	WP0641601SC	86	72	WS0410002KN	62	34
WP0430801SC	44	56	WP0641601SC	88	72	WS0410002KN	64	27
WP0430801SC	60	43	WP0641601SC	96	14	WS0410002KN	68	44
WP0430801SC	62	23	WP0641601SC	108	11	WS0410002KN	72	42
WP0430801SC	64	28	WP0641601SC	110	17	WS0410002KN	76	30
WP0430801SC	68	45	WP0651056SH	6	5	WS0410002KN	78	73
WP0430801SC	72	43	WP0651056SH	20	37	WS0410002KN	80	73
WP0430801SC	76	31	WP0702026SP	20	21	WS0410002KN	82	36
WP0430801SC	78	74	WP0841601SC	2	40	WS0410002KN	86	20
WP0430801SC	80	74	WP0841601SC	56	31	WS0410002KN	96	29
WP0430801SC	82	37	WP0841601SC	60	17	WS0410002KN	108	5
WP0430801SC	86	61	WP0841601SC	72	25	WS0451040KP	26	22
WP0430801SC	88	61	WP0841601SC	78	8	WS0510002KN	36	75
WP0430801SC	96	19	WP0841601SC	82	40	WS0510002KN	38	16
WP0450000SD	18	23	WP0841601SC	86	52	WS0510002KN	86	50
WP0450801SD	56	29	WP0841601SC	88	52	WS0510002KN	88	50
WP0450801SD	66	43	WP0841601SC	106	13	WS0510002KS	42	14
WP0451026SD	26	23	WP0841601SC	110	23	WS0610002KN	2	25
WP0451026SH	26	12	WP0850002SP	86	3	WS0610002KN	40	54
WP0482086SD	20	19	WP1612616SE	112	15	WS0610002KN	46	34
WP0501016SD	20	20	WS0310002KN	2	53	WS0610002KN	48	34
WP0501016SD	34	69	WS0310002KN	4	53	WS0610002KN	56	7
WP0501016SD	36	69	WS0310002KN	16	13	WS0610002KN	60	36
WP0531000SC	56	30	WS0310002KN	26	26	WS0610002KN	64	10
WP0531001SC	86	51	WS0310002KN	40	57	WS0610002KN	66	25
WP0531001SC	88	51	WS0310002KN	42	47	WS0610002KN	68	47
WP0551626SD	14	3	WS0310002KN	54	57	WS0610002KN	72	21
WP0611626SP	20	41	WS0310002KN	60	8	WS0610002KN	76	13
WP0612516SD	36	63	WS0310002KN	64	23	WS0610002KN	78	60
WP0621016SH	70	51	WS0310002KN	66	11	WS0610002KN	80	60
WP0621026SP	12	6	WS0310002KN	72	45	WS0610002KN	82	25
WP0641600SC	46	35	WS0310002KN	80	77	WS0610002KN	86	47
WP0641600SC	48	35	WS0310002KN	82	53	WS0610002KN	96	13
WP0641600SC	56	6	WS0310002KN	84	53	WS0610002KN	108	10
WP0641601SC	2	26	WS0310002KN	96	34	WS0610002KN	110	16

NUMERICAL INDEX OF PARTS

PART NO	PAGE	REF NO.
WS0820002KN	2	39
WS0820002KN	60	16
WS0820002KN	72	24
WS0820002KN	78	7
WS0820002KN	82	39
WS0820002KN	86	40
WS0820002KN	106	12
WS0820002KN	110	22
WT0320001KN	104	20
WT0430001KN	74	50
WT0430001KN	90	23
WT0640001KN	86	11
WZ0641510KP	20	22