

MODEL : DU-580

List No : 0626-01

# PARTS LIST

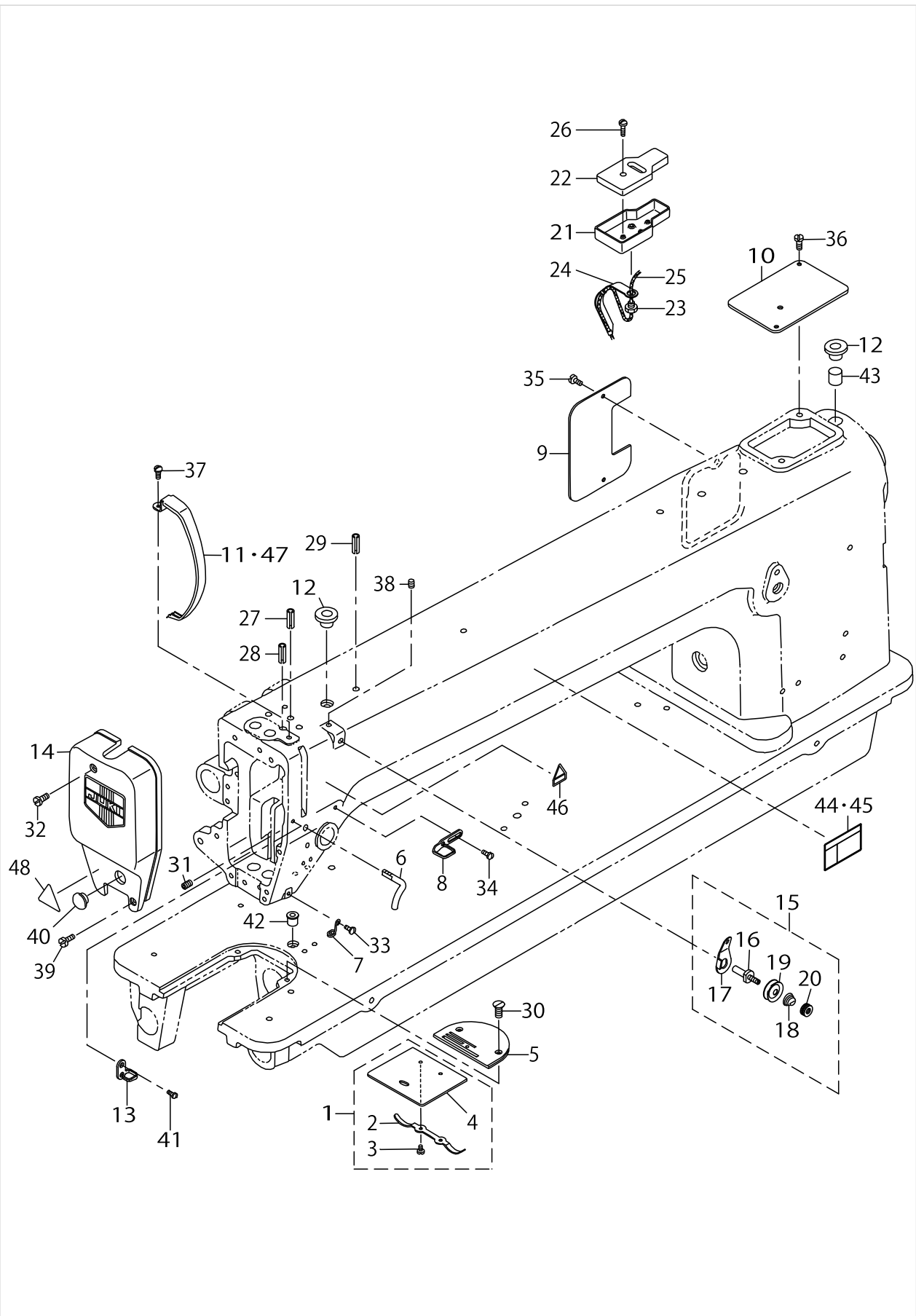
Published:09/10/2017

## CONTENTS

---

FRAME & MISCELLANEOUS COVER COMPONENTS .....	1
MAIN SHAFT & ARM SHAFT COMPONENTS .....	5
NEEDLE BAR & THREAD TAKE-UP LEVER COMPONENTS .....	7
PRESSER BAR COMPONENTS .....	9
FEED MECHANISM COMPONENTS.....	11
HOOK DRIVING SHAFT COMPONENTS .....	15
THREAD TENSION COMPONENTS .....	17
UPPER FEED MECHANISM COMPONENTS .....	19
KNEE LIFTER & OIL PAN COMPONENTS .....	23
BEL COVER & BOBBIN WINDER COMPONENTS .....	25
THREAD STAND COMPONENTS.....	27
TABLE COMPONENTS .....	29
ACCESSORIES PARTS COMPONENTS .....	31
LIST FOR INFORMATION OF CHANGE (1) .....	33
LIST FOR INFORMATION OF CHANGE (2) .....	34
HOW TO MAKE USE OF THIS PARTS LIST .....	35

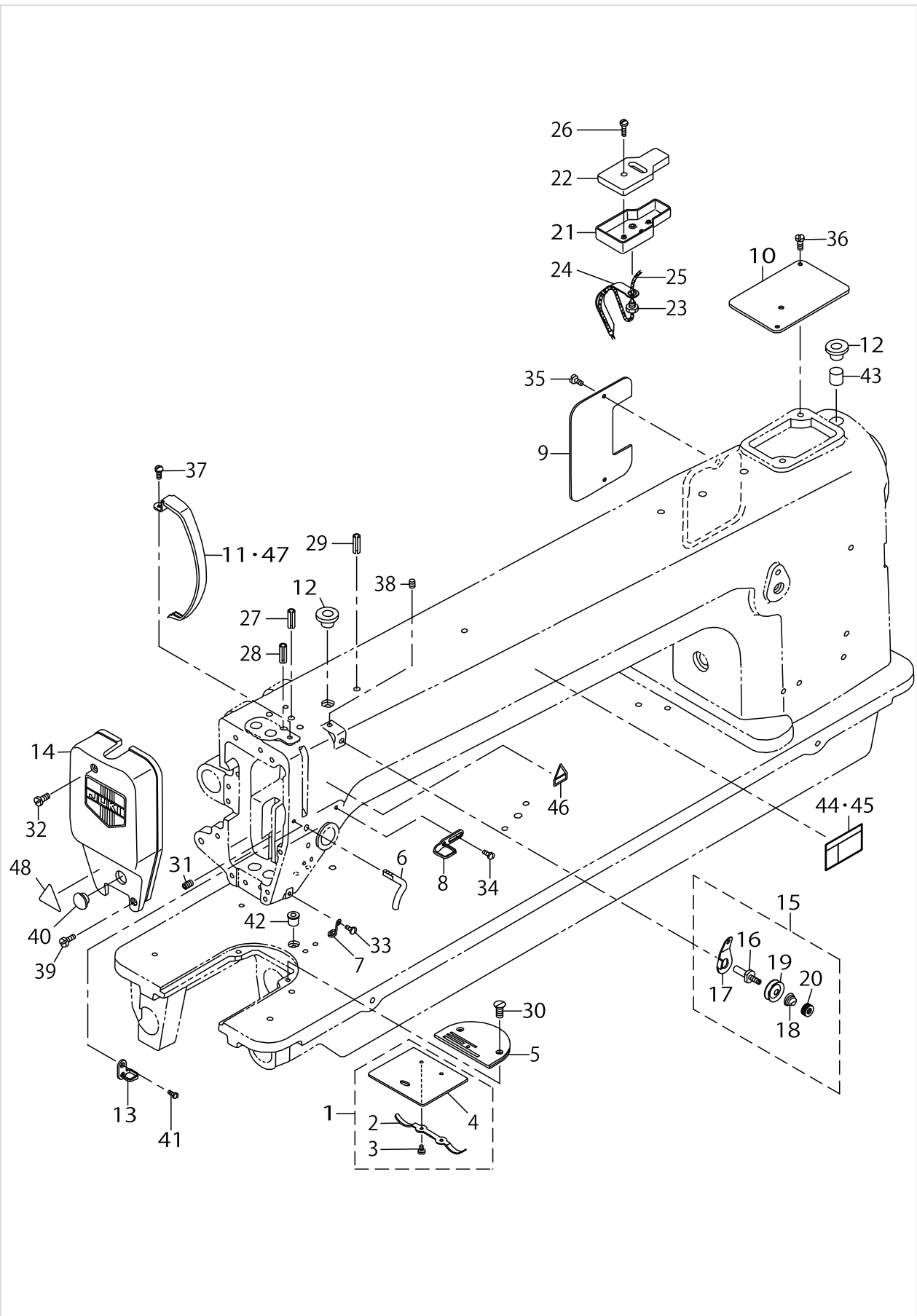
FRAME & MISCELLANEOUS COVER COMPONENTS



FRAME & MISCELLANEOUS COVER COMPONENTS

No.	Parts No.	Parts name	Remarks	Level	Cons	Qty
1	B11100120A0	BED SLIDE ASM.				1
2	B1111012000	BED SLIDE SPRING		*		1
3	SS6060210SP	SCREW 3/32-56 L= 1.9		*		2
4	B1110012000	SLIDE PLATE		*		1
5	B1105141H00	THROAT PLATE D=2.6				1
6	B1130141H00	THREAD GUIDE				1
7	B1129141H00	THREAD GUIDE				1
8	B1126201000	FRAME THREAD GUIDE A				1
9	B1118141H00	SIDE PLATE				1
10	B1150141H00	TOP COVER				1
11	B1123141H00	THREAD TAKE-UP LEVER COVER				1
12	B1156115000	RUBBER PLUG				2
13	B1131141H00	FRAME THREAD GUIDE, B				1
14	B1121141HA0B	FACE PLATE ASM.				1
15	21221452	TENSION CONTROLLER ASM. NO.1				1
16	D3161555B00	FIRST TENSION POST		*		1
17	D3162555B00	THREAD GUIDE		*		1
18	D3168555H0B	TENSION SPRING NO.1		*		1
19	B3214047000	BOBBIN WINDER TENSION DISC		*		2
20	B3216047000	BOBBIN WINDER TENSION NUT		*		1
21	B3503201000	OIL RESERVOIR				1
22	B3504201000	OIL FELT				1
23	B3515201000	CLAMP SLEEVE NUT				1
24	B3527012000	HOLDER				1
25	CQ202000000	OIL WICK				0.3
26	SS7112420SP	SCREW 11/64-40 L=24				1
27	PS0350102KR	SPRING PIN 3.5X10				1
28	PS0350102KR	SPRING PIN 3.5X10				1
29	PS0350102KR	SPRING PIN 3.5X10				1
30	SS2110920TP	SCREW 11/64-40 L=8.5				2
31	SS8111251SP	SCREW 11/64-40 L=12.0				1
32	SS7112420SP	SCREW 11/64-40 L=24				1
33	SS7090620TP	SCREW 9/64-40 L=6.1				1
34	SS5090610SP	SCREW 9/64-40 L=6				1
35	SS7110710SP	SCREW 11/64-40 L=7				1
36	SS7110710SP	SCREW 11/64-40 L=7				2
37	SS7110510SP	SCREW 11/64-40 L=5				1
38	SS8110510SP	SCREW 11/64-40 L=5				1
39	SS6111610SP	SCREW 11/64-40 L=16				1
40	TA1250406R0	RUBBER PLUG D=12.5 L=4				1
41	SS2090710SP	SCREW 9/64-40 L=7				1
42	B11570090A0	OIL CUP ASM.				1
43	B3517009000	OIL FELT REAR				1
44	CM300200101	SAFETY LABEL, 1(SMALL).	FOR JAPAN			1
45	CM3002001A1	SAFETY LABEL.,3(SMALL).	EXCEPT JAPAN,JE			1
46	CM3002000B1	LABEL(16)	FOR JAPAN			4
47	11415205	THREAD TAKE-UP LEVER COVER(JE)	FOR JE			1

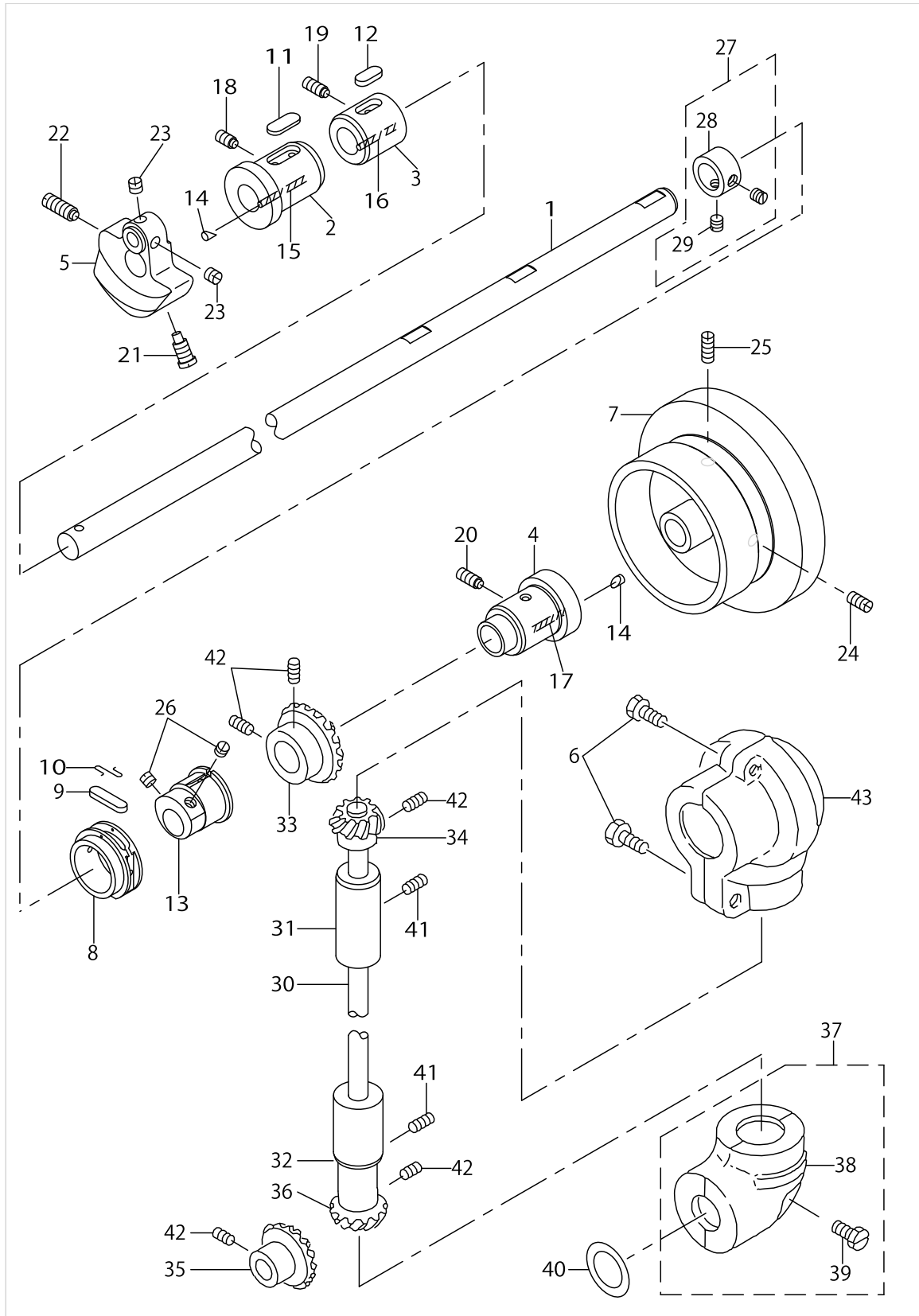
FRAME & MISCELLANEOUS COVER COMPONENTS



FRAME & MISCELLANEOUS COVER COMPONENTS

No.	Parts No.	Parts name	Remarks	Level	Cons	Qty
48	CM300200001	ATTENTION SEAL(16)	FOR JE			4

MAIN SHAFT & ARM SHAFT COMPONENTS

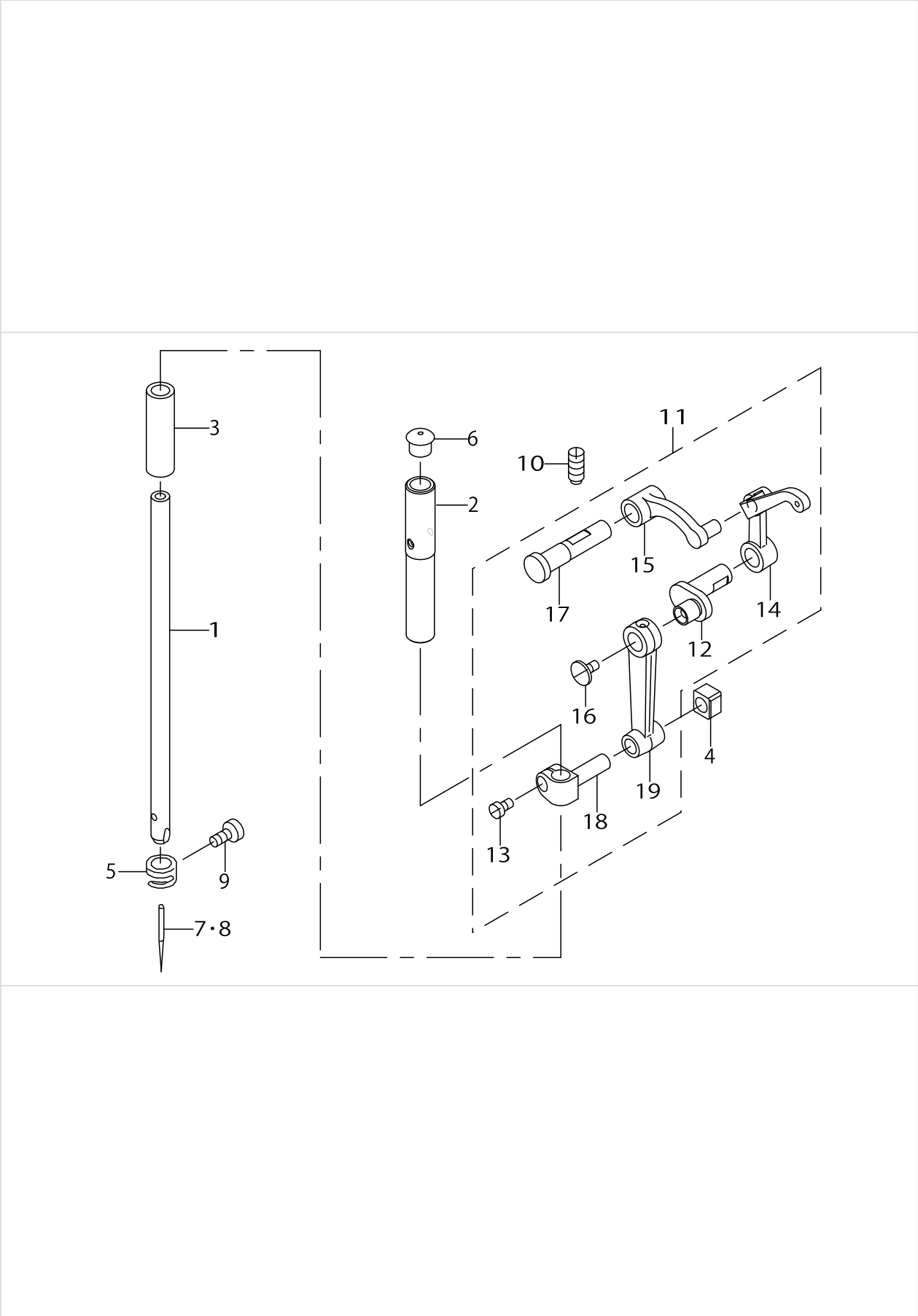


MAIN SHAFT & ARM SHAFT COMPONENTS

No.	Parts No.	Parts name	Remarks	Level	Cons	Qty
1	21261003	UPPER SHAFT				1
2	21261102	BUSHING, FRONT				1
3	21261201	BUSHING, MIDDLE				1
4	21261300	BUSHING, REAR				1
5	B1206141H00	COUNTERWEIGHT				1
6	SS7090920SP	SCREW 9/64-40 L= 8.5				2
7	B122714500B	HAND WHEEL				1
8	B1211226000	ECCENTRIC RETAINER HOUSING				1
9	B1212012000	OIL FELT				1
10	B1213012000	FELT RETAINER				1
11	B1218012000	REAR BUSHING OIL FELT				1
12	B1702012000	OIL FELT				1
13	B1211141H00	FEED ECCENTRIC CAM				1
14	TA0300503R0	PLUG				2
15	CQ200000000	OIL WICK				0.1
16	CQ200000000	OIL WICK				0.1
17	CQ200000000	OIL WICK				0.1
18	SS8151150SP	SCREW 15/64-28 L=10.5				1
19	SS8151550SP	SCREW 15/64-28 L=15				1
20	SS8151550SP	SCREW 15/64-28 L=15				1
21	SS7681750TP	SCREW 9/32-28 L=16.5				1
22	SS8681950SP	SCREW 9/32-28 L=19				1
23	SS8660610TP	SCREW 1/4-40 L=6				2
24	SS8151550SP	SCREW 15/64-28 L=15				1
25	SS8151780SP	SCREW 15/64-28 L=17.0				1
26	SS8150710SP	SCREW 15/64-28 L=7				2
27	22904155	MAIN SHAFT THRUST COLLAR ASM.				1
28	22904106	MAIN SHAFT THRUST COLLAR		*		1
29	SS8660610TP	SCREW 1/4-40 L=6		*		2
30	B1301201000	UPRIGHT SHAFT				1
31	B1302271000	UPRIGHT SHAFT BUSHING,UPPER				1
32	B1303271000	BUSHING, LOWER				1
33	B1305012000	GEAR				1
34	B1306155000	PINION				1
35	B1307155000	MITRE GEAR LARGE				1
36	B1308155000	MITRE GEAR SMALL				1
37	B13091150A0	PINION CASE ASM.				1
38	B1309115000	GEAR CASE		*		1
39	SS9181520CP	SCREW 9/32-20 L=15.0		*		1
40	RO133170100	RUBBER RING				1
41	SS8151550SP	SCREW 15/64-28 L=15				2
42	SS8660810TP	SCREW 1/4-40 L=8				8
43	B1308241H00	GEAR CASE				1



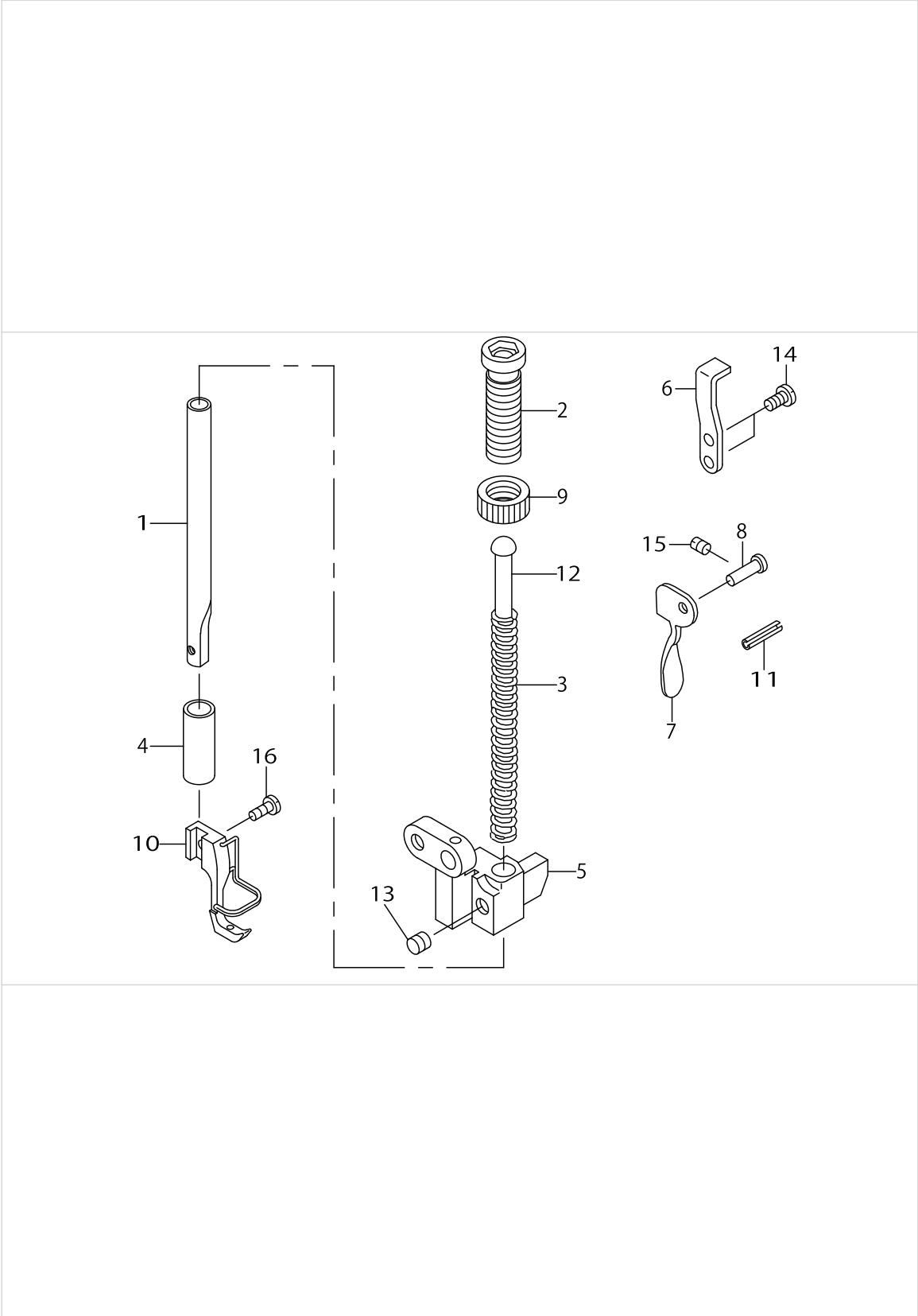
NEEDLE BAR & THREAD TAKE-UP LEVER COMPONENTS



NEEDLE BAR & THREAD TAKE-UP LEVER COMPONENTS

No.	Parts No.	Parts name	Remarks	Level	Cons	Qty
1	B1401141H00	NEEDLE BAR				1
2	22906101	NEEDLE BAR BUSHING, UPPER				1
3	B1403141H00	NEEDLE BAR BUSHING, LOWER				1
4	B1414555000	SLIDE BLOCK				1
5	B1418141H00	NEEDLE BAR THREAD GUIDE				1
6	B1405012000	CAP				1
7	MDB100B2100	NEEDLE DBX1 #21	EXCEPT JE			1
8	MC142501300	NEEDLE 1738 130	FOR JE			1
9	SS7080510TP	SCREW 1/8-44 L=4.5				1
10	SS8151550SP	SCREW 15/64-28 L=15				1
11	B1901141HA0	THREAD TAKE-UP LEVER ASM.				1
12	B1210141H00	NEEDLE BAR CRANK		*		1
13	SS6090670TP	SCREW 9/64-40 L=6		*		1
14	B1901141H00	THREAD TAKE-UP LEVER		*		1
15	B1902115000	THREAD TAKE-UP CRANK		*		1
16	B1903141H00	END SCREW LEFT		*		1
17	B1904115000	THREAD TAKE-UP CRANK SHAFT STU		*		1
18	B1411552000	NEEDLE BAR CLAMP		*		1
19	B1408141H00	NEEDLE BAR CRANK ROD		*		1

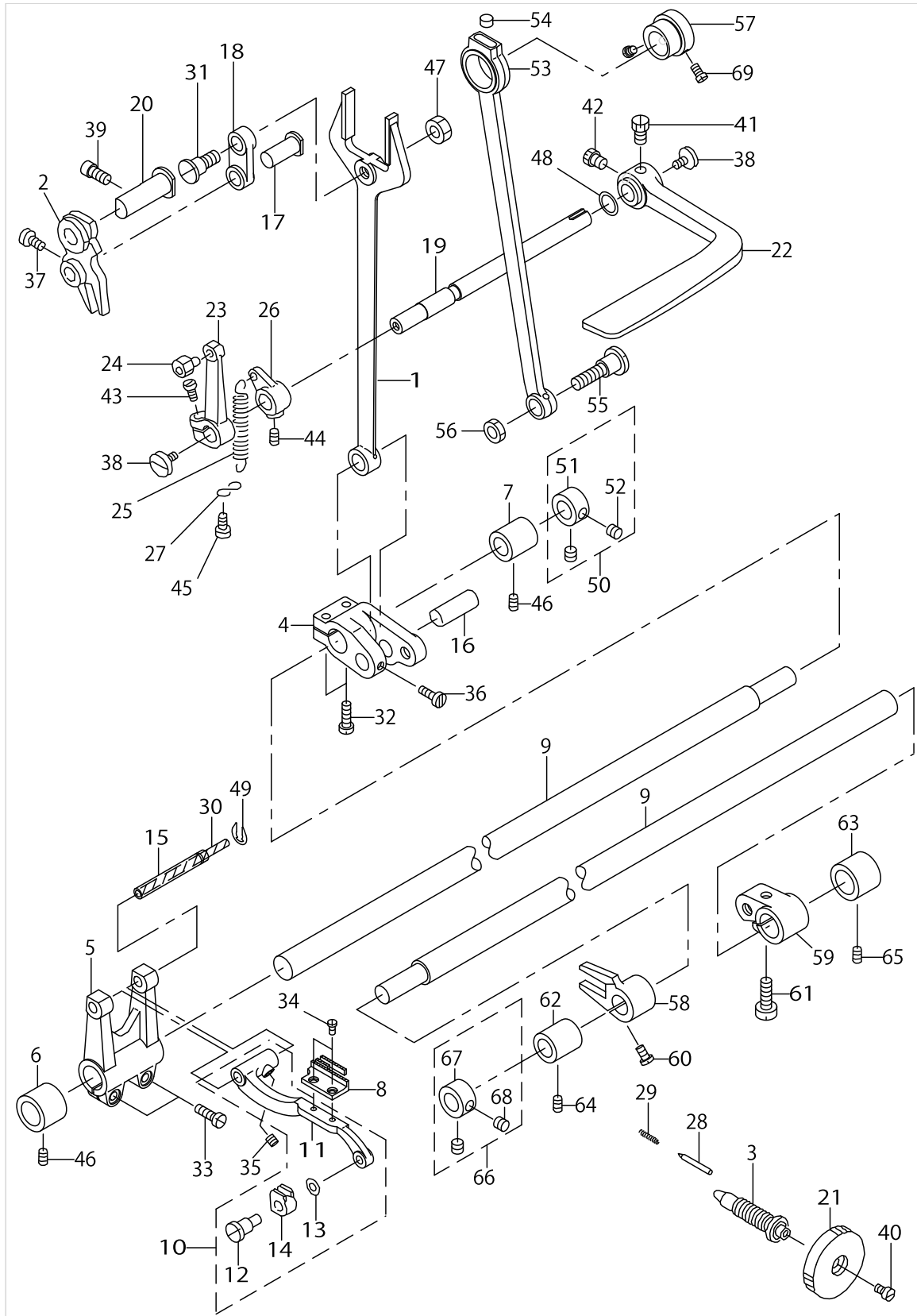
PRESSER BAR COMPONENTS



PRESSER BAR COMPONENTS

No.	Parts No.	Parts name	Remarks	Level	Cons	Qty
1	B1501127000	PRESSER BAR				1
2	11071602	PRESSER SPRING REGULATOR				1
3	B1505227T00A	PRESSER SPRING T				1
4	B1510155000	PRESSER BAR LOWER BUSHING				1
5	B1507141H00	PRESSER BAR GUIDE BRACKET				1
6	B1515141H00	LIFTING LEVER				1
7	B1512141H00	HAND LIFTER				1
8	B1513141H00	HAND LIFTER SHAFT				1
9	B1511555000	NUT				1
10	B1525141HA0	INSIDE FOOT ASM.				1
11	PS0300132KH	SPRING PIN 3X13				1
12	22907703	PRESSER GUIDE BAR				1
13	SS8660610TP	SCREW 1/4-40 L=6				1
14	SS7110840SP	SCREW 11/64-40 L=7.8				2
15	SS8110750SP	SCREW 11/64-40 L= 6.5				1
16	SS7091110SP	SCREW 9/64-40 L=10.5				1

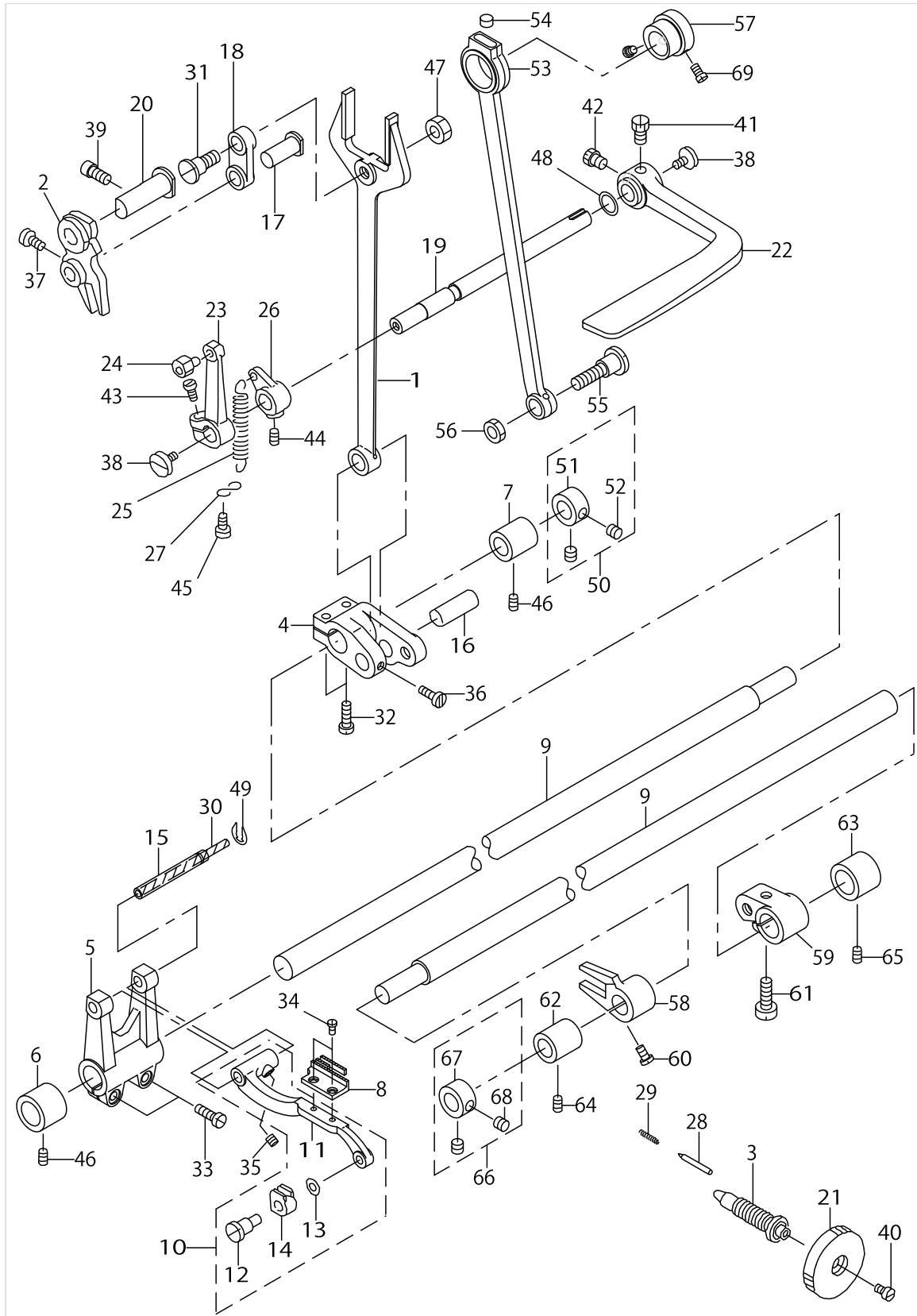
# FEED MECHANISM COMPONENTS



FEED MECHANISM COMPONENTS

No.	Parts No.	Parts name	Remarks	Level	Cons	Qty
1	B1614141H00	PITMAN				1
2	B1620141H00	FEED REGULATOR				1
3	B1634141H00	STITCH LENGTH REGULATING SCREW				1
4	B1605141H00	FEED ROCKER SHAFT CRANK				1
5	B1603141H00	FEED ROCKER				1
6	B1604141H00	BUSHING, FRONT				1
7	11847308	BUSHING, REAR				1
8	B1613141H00	FEED DOG				1
9	21261508	UPPER FEED DRIVING SHAFT				2
10	B1606141HA0	FEED BAR ASM.				1
11	B1606141H00	FEED BAR		*		1
12	B1706155000	FEED DRIVING SLIDE BLOCK HINGE		*		1
13	B1707155000	FEED DRIVING SLIDE BLOCK WASHE		*		1
14	B1705155000	FEED DRIVING SLIDE BLOCK		*		1
15	B1604012000A	FEED BAR SHAFT				1
16	B1611155000A	HINGE STUD FOR PITMAN				1
17	B1618226000	HINGE PIN				1
18	B1619141H00	FEED REGULATOR CONNECTING LINK				1
19	B1621201000	REVERSE FEED CONTROL LEVER SHA				1
20	B1622555000	HINGE PIN				1
21	B16232010A0A	STITCH DIAL ASM.				1
22	B1624141H0A	FEED LEVER				1
23	B1627226000	REVERSE FEED CONTROL LEVER CRA				1
24	B16331220A0	CRANK SLIDE BLOCK STUD ASM.				1
25	B1646201000	TENSION SPRING				1
26	B1647226000	SUSPENSION BRACKET (A)				1
27	B1648122000	SUSPENSION HOOK (B)				1
28	B1147555000	PIN				1
29	22912109	FEED REGULATOR PIN SPRING				1
30	CQ202000000	OIL WICK				0.2
31	SD0950802SH	HINGE SCREW D= 9.53 H= 8				1
32	SS7121410SP	SCREW 3/16-28 L=14				2
33	SS7121410SP	SCREW 3/16-28 L=14				2
34	SS4080620TP	SCREW 1/8-44 L=6				2
35	SS8620610TP	SCREW 3/16-32 L=6				1
36	SS7120910SP	SCREW 3/16-28 L=9				1
37	SS6661110SP	SCREW 1/4-40 L=11				1
38	SS7620750SP	SCREW 3/16-32 L= 6.5				2
39	SS6151220SP	SCREW 15/64-28 L=11.5				1
40	SS6121050SP	SCREW 3/16-28 L= 9.5				1
41	SS9660910SP	SCREW 1/4-40 L=9.4				1
42	SS9660720SP	SCREW 1/4-40 L=7				1
43	SS6121210SP	SCREW 3/16-28 L=12				1
44	SS8150710SP	SCREW 15/64-28 L=7				1
45	SS7090710SP	SCREW 9/64-40 L= 6.8				1
46	SS8150710SP	SCREW 15/64-28 L=7				2
47	NS6680410SP	NUT 9/32-28				1

FEED MECHANISM COMPONENTS



FEED MECHANISM COMPONENTS

No.	Parts No.	Parts name	Remarks	Level	Cons	Qty
48	WZ1052010KP	WAVED WASHER				1
49	RE0500711KP	SNAP RING 5				1
50	CS111101CSH	THRUST COLLAR ASM.D=11.11 W=10				1
51	CS1111019SH	THRUST COLLAR D=11.11 W=10		*		1
52	SS8660610TP	SCREW 1/4-40 L=6		*		2
53	B1701115000	FEED DRIVING SHAFT CONNECTING				1
54	11002904	ROLLER FELT				1
55	SD1020962SP	HINGE SCREW D=10.20 H= 9.6				1
56	NS6680410SP	NUT 9/32-28				1
57	B1208141H00	FEED CAM ASM.				1
58	D1704241E00	UP AND DOWN FEED FORKED				1
59	21106000	FEED SHAFT ARM				1
60	SS7111120SP	SCREW 11/64-40 L=10.5				1
61	SS6151920SP	SCREW 15/64-28 L=19.0				1
62	11847308	BUSHING, REAR				1
63	B1604141H00	BUSHING, FRONT				1
64	SS8150710SP	SCREW 15/64-28 L=7				1
65	SS8150710SP	SCREW 15/64-28 L=7				1
66	CS111101DSH	THRUST COLLAR ASM. D=11.11 W=1				1
67	CS1111019SH	THRUST COLLAR D=11.11 W=10		*		1
68	SS8660530TP	SCREW 1/4-40 L= 4.5		*		2
69	SS6110710TP	SCREW 11/64-40 L= 6.5				2

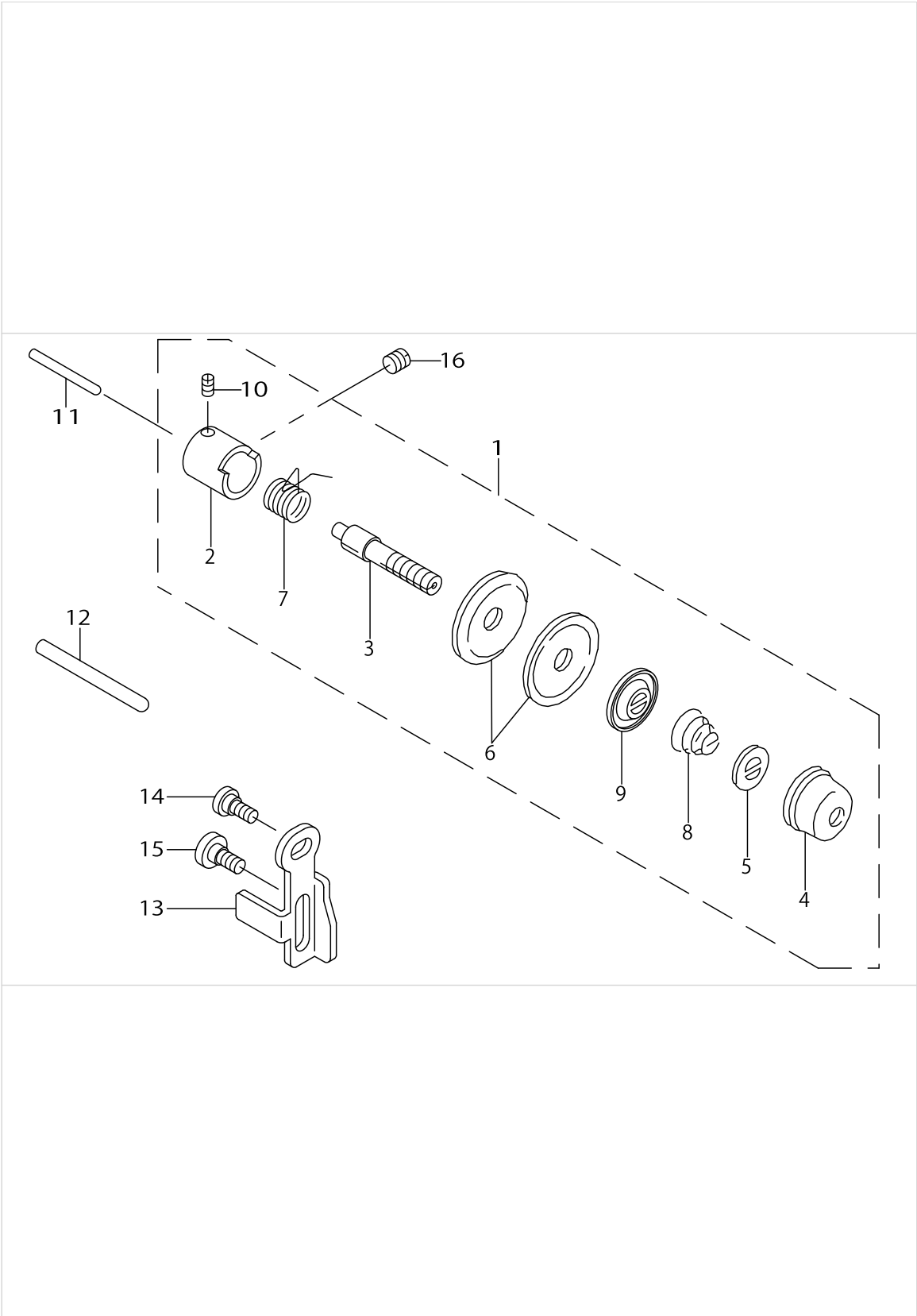




HOOK DRIVING SHAFT COMPONENTS

No.	Parts No.	Parts name	Remarks	Level	Cons	Qty
1	21262506	HOOK DRIVING SHAFT				1
2	21262605	BUSHING, FRONT				1
3	B1804141H00	BUSHING, REAR				1
4	B1830141HA0	HOOK ASM.				1
5	B1835012000	BOBBIN CASE POSITIONING FINGER				1
6	B1304012A00	OIL FELT				1
7	B3511280000	OIL FELT				2
8	B9117201000	BOBBIN				1
9	CQ202000000	OIL WICK				0.1
10	SS8151150SP	SCREW 15/64-28 L=10.5				1
11	SS8150710SP	SCREW 15/64-28 L=7				1
12	SS6111620SP	SCREW 11/64-40 L=16.0				1
13	TA0300503R0	PLUG				2
14	CQ252000000	OIL WICK				0.1
15	CS079101CSH	THRUST COLLAR ASM. D=7.94 W=10				1
16	CS0791016SH	THRUST HOLDER D=7.94 W=10		*		1
17	SS8110510SP	SCREW 11/64-40 L=5		*		2
18	D1837141EA0	BOBBIN CASE ASM.				1

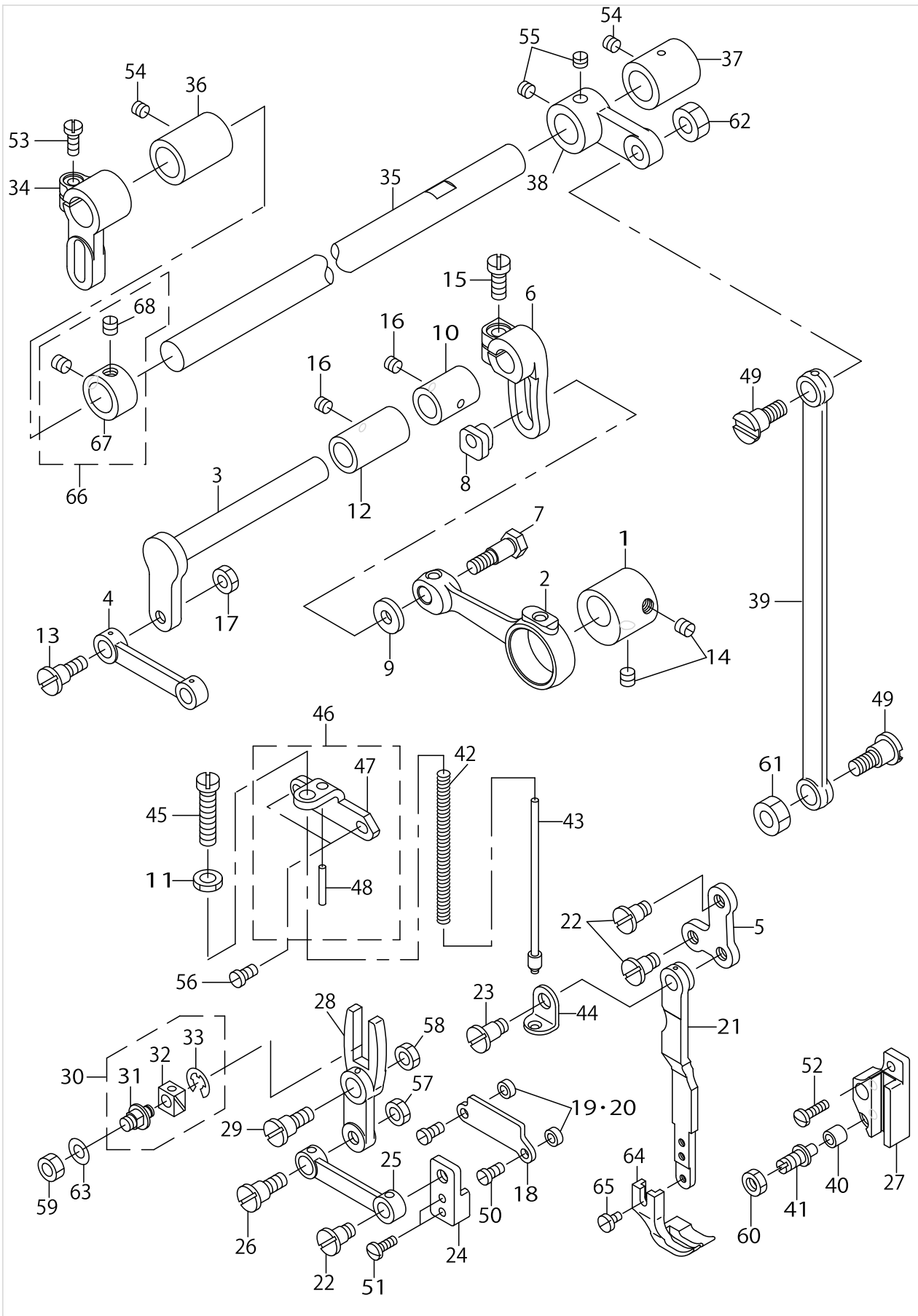
THREAD TENSION COMPONENTS



THREAD TENSION COMPONENTS

No.	Parts No.	Parts name	Remarks	Level	Cons	Qty
1	B3111141HA0	TENSION POST SOCKET ASM.				1
2	B3111552B00	TENSION POST SOCKET		*		1
3	B3115552000	TENSION POST		*		1
4	B3116125000	TENSION NUT		*		1
5	B3120125000	ROTATING STOPPER		*		1
6	B3126012000	THREAD TENSION DISK		*		2
7	B3128012000	TAKE-UP SPRING		*		1
8	B3129053000	TENSION SPRING		*		1
9	B3132552000	THREAD TENSION DISK PRESSER		*		1
10	SS8090670SP	SCREW 9/64-40 L= 5.5		*		1
11	B3118552F00	TENSION RELEASING PIN				1
12	B3127127000	THREAD RELEASE AUXILIARY PIN				1
13	B3134141H00	TENSION RELEASE PLATE				1
14	SD0600271SP	HINGE SCREW D= 6 H= 2.7				1
15	SD0600321SP	HINGE SCREW D=6 H=3.2				1
16	SS8150710SP	SCREW 15/64-28 L=7				1

UPPER FEED MECHANISM COMPONENTS



UPPER FEED MECHANISM COMPONENTS

No.	Parts No.	Parts name	Remarks	Level	Cons	Qty
1	B3001141H00	FEED DRIVE ECCENTRIC CAM				1
2	B3002141H00	CRANK CONNECTING ROD				1
3	B3003141H00A	UPPER FEED DRIVING SHAFT				1
4	B3005141H00	CONNECTING LINK				1
5	B3006141H00	L-SHAPED LINK				1
6	B3007141H00	UPPER FEED SPRING ROD				1
7	B3008141H00	HINGE SCREW				1
8	B3009141H0A	NUT				1
9	B3010141H00	WASHER				1
10	B3011141H00	BUSHING				1
11	NS6680320SP	NUT 9/32-28				1
12	B3011141H0A	BUSHING, FRONT				1
13	SD0850751SP	HINGE SCREW D= 8.50 H= 7.5				1
14	SS8660610TP	SCREW 1/4-40 L=6				2
15	SS6151440SP	SCREW 15/64-28 L=14				1
16	SS8150510TP	SCREW 15/64-28 L= 4.7				2
17	NS6150310SP	NUT 15/64-28				1
18	B3012141H00A	WALKING BAR DRIVING LINK				1
19	B3013141H0A	WASHER				2
20	B3013141H0B	WASHER	SELECTIVE PARTS			2
21	B3014141H00B	L-SHAPED ROD				1
22	B3015141H00	HINGE SCREW				3
23	B3016141H00	HINGE SCREW, B				1
24	B3017141H00B	CONNECTING LINK HOLDER				1
25	B3018141H00	DRIVING ROD				1
26	B3019141H00	HINGE SCREW				1
27	B3020141H00	SLIDE BLOCK GUIDE				1
28	B3021141H00	SLIDE FORK				1
29	B3022141H00	HINGE SCREW				1
30	B3023141HA0A	SLIDE BLOCK ASM.				1
31	B3023141H00A	SLIDE BLOCK PIN		*		1
32	B3024141H00	SLIDE BLOCK		*		1
33	RE0400000K0	E-RING 4		*		1
34	B3025141H00A	CONNECTING ARM				1
35	21262803	MIDDLE SHAFT				1
36	10106102	BUSHING				1
37	B3028141H00	BUSHING, REAR				1
38	B3029141H00	DRIVING SHAFT ROD				1
39	B3030141H00	DRIVING ROD				1
40	B3031141H00	CONNECTING STUD				1
41	B3032141H00	CONNECTING STUD SHAFT				1
42	B3033141H00	SPRING				1
43	B3034141H00	SPRING POLE				1
44	B3035141H00	RETAINING PLATE				1
45	B3036141H00	ADJUSTING THUMB SCREW				1
46	B3037141HA0	SPRING BASE ASM.				1
47	B3037141H00	SPRING BAR		*		1

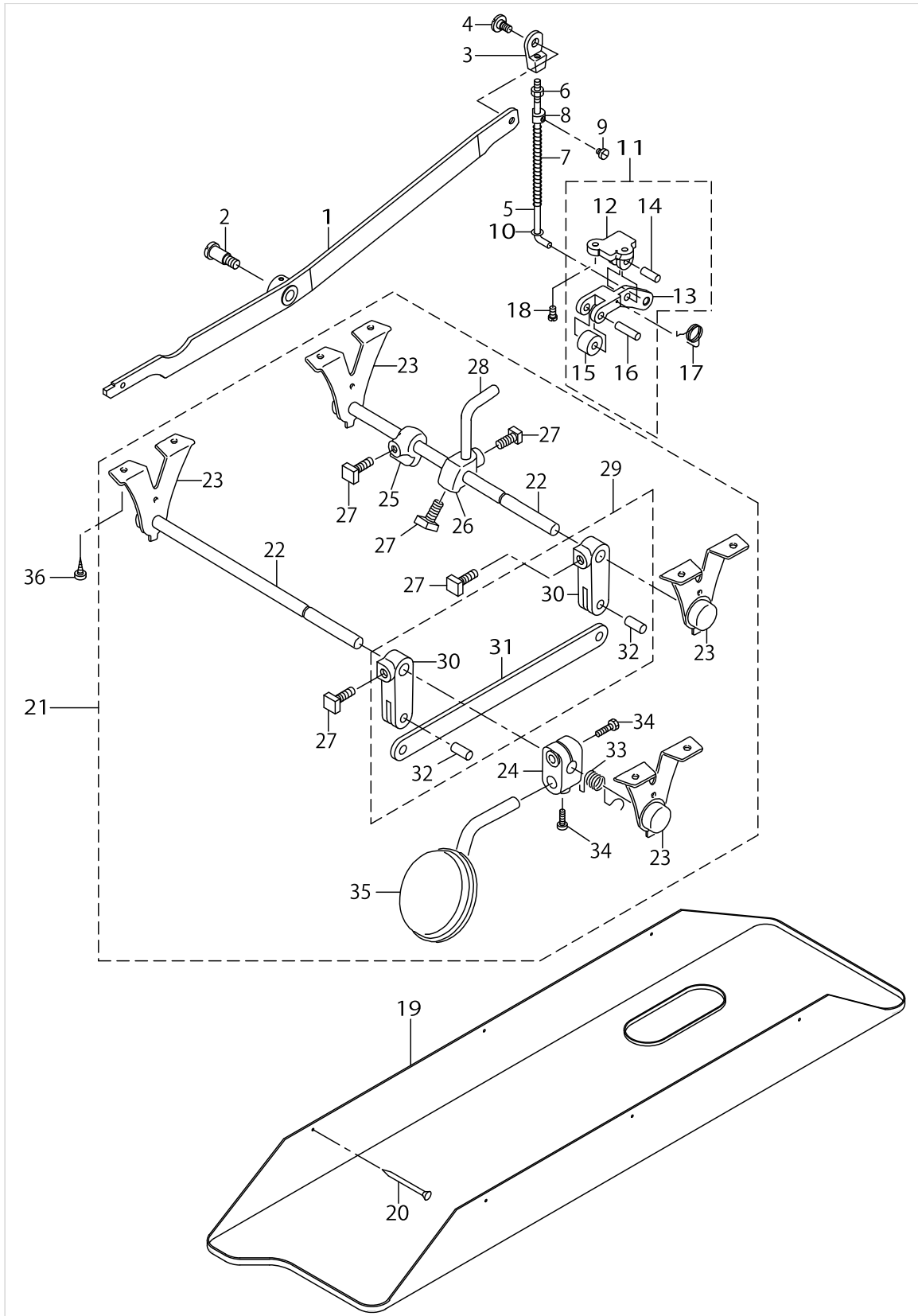


UPPER FEED MECHANISM COMPONENTS

No.	Parts No.	Parts name	Remarks	Level	Cons	Qty
48	PS0300201KP	SPRING PIN 3.0X20		*		1
49	SD1020961SP	HINGE SCREW D=10.2 H=9.6				2
50	SS7110910SP	SCREW 11/64-40 L=8.5				2
51	SS7091110SP	SCREW 9/64-40 L=10.5				2
52	SS7111410TP	SCREW 11/64-40 L=14				3
53	SS6121210SP	SCREW 3/16-28 L=12				1
54	SS8150510TP	SCREW 15/64-28 L= 4.7				2
55	SS8660530TP	SCREW 1/4-40 L= 4.5				2
56	SS7111120SP	SCREW 11/64-40 L=10.5				2
57	NS6660430SP	NUT 1/4-40				1
58	NS6680320SP	NUT 9/32-28				1
59	NS6160520SP	NUT 1/4-24				1
60	NS6660430SP	NUT 1/4-40				1
61	NS6680410SP	NUT 9/32-28				1
62	NS6680320SP	NUT 9/32-28				1
63	WP0650876SD	WASHER 6.5X13X0.8				1
64	B1526145000	PRESSURE FOOT				1
65	SS7090610SP	SCREW 9/64-40 L=6				1
66	22904155	MAIN SHAFT THRUST COLLAR ASM.				1
67	22904106	MAIN SHAFT THRUST COLLAR		*		1
68	SS8660610TP	SCREW 1/4-40 L=6		*		2



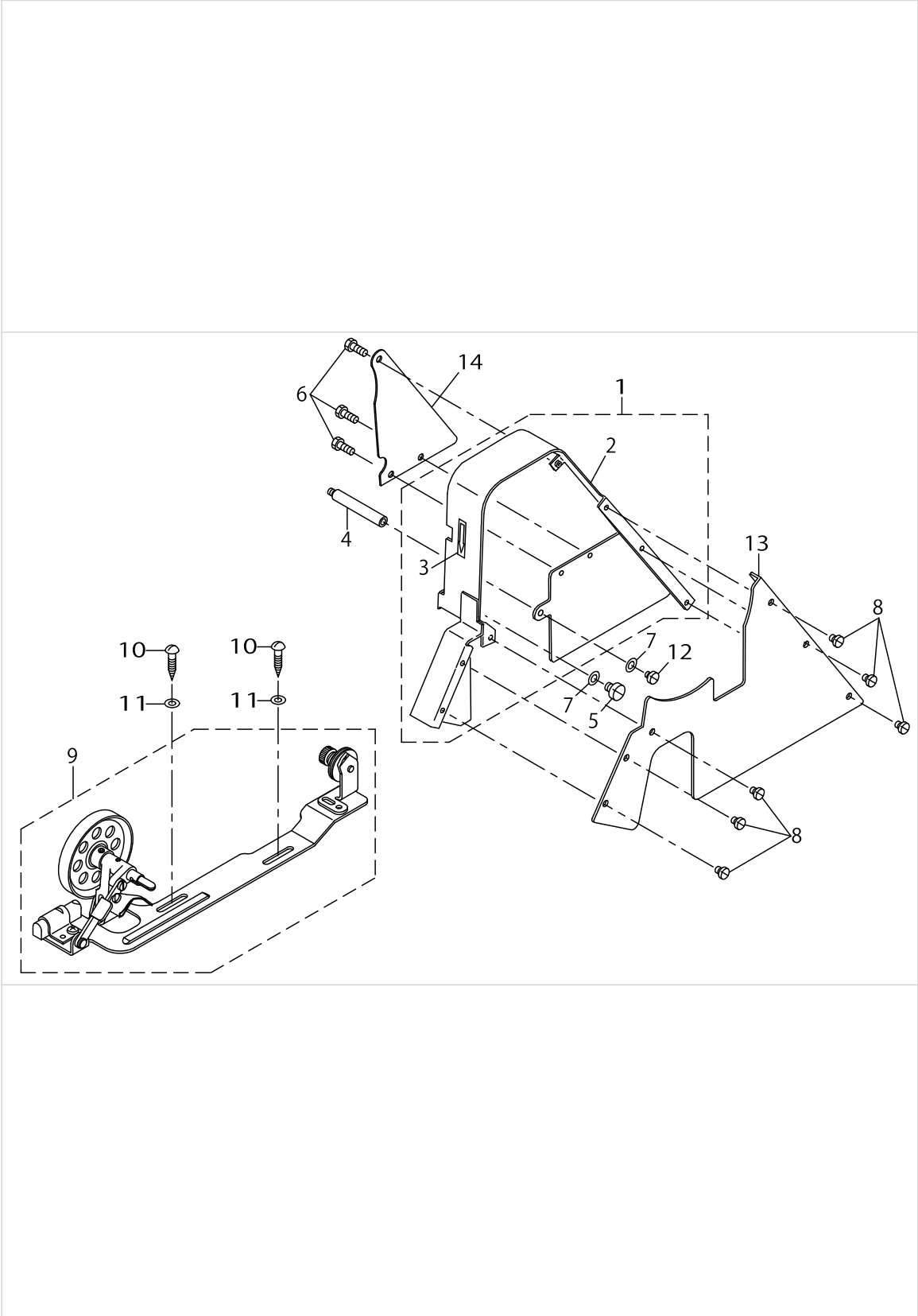
# KNEE LIFTER & OIL PAN COMPONENTS



KNEE LIFTER & OIL PAN COMPONENTS

No.	Parts No.	Parts name	Remarks	Level	Cons	Qty
1	21262902	KNEE LIFTER LIFTING LEVER				1
2	SD0991551SP	HINGE SCREW D=9.9 H=5.5				1
3	B3416141H00A	SWIVEL				1
4	SD0790351SP	HINGE SCREW D=7.9 H=3.5				1
5	B3415241H00	LIFTING LEVER CONNECTING ROD				1
6	NS6620310SP	NUT 3/16-32				1
7	B3414051000	REAR LIFTING BAR SPRING				1
8	B3418245000	SPRING HOLDER				1
9	SS7110540SP	SCREW 11/64-40 L=5				1
10	WP0550800SP	WASHER 5.5X10X0.8				1
11	B3402141HA0A	BELL CRANK BRACKET ASM.				1
12	B3401141H00	BELL CRANK BRACKET		*		1
13	B3402141H00A	BELL CRANK BRACKET		*		1
14	B3403141H00	PIN		*		1
15	B3404141H00	ROLLER		*		1
16	B3405141H00	PIN		*		1
17	B3406141H00	SPRING				1
18	SS7120910SP	SCREW 3/16-28 L=9				2
19	21263108	OIL RESERVOIR				1
20	10539906	SET NAIL				6
21	21263553	KNEE LIFTER SYSTEM ASM.				1
22	B3420141H00	MAIN SHAFT		*		2
23	B3432141H00	SUPPORT		*		4
24	B3433141H0A	BRACKET		*		1
25	B3434141H00	BRACKET		*		1
26	B3424141H00	MOUNTING BRACKET		*		1
27	B3425141H00	MOUNTING BRACKET SET SCREW		*		5
28	B3426141H00A	KNEE LIFTING BENT ARM		*		1
29	21263652	CONNECTING ARM ASM.		*		1
30	21263603	CONNECTING ARM		*		2
31	21263702	CONNECTING PLATE		*		1
32	21263801	PIN		*		2
33	B3435141H00	KNEE TOP ROTARY SPRING		*		1
34	SS9182010SN	SCREW 9/32-20 L=20		*		2
35	22934251	KNEE PAD PLATE ASM.		*		1
36	SK3483201SE	WOOD SCREW D=4.8 L=32				8

BEL COVER & BOBBIN WINDER COMPONENTS



BEL COVER & BOBBIN WINDER COMPONENTS

No.	Parts No.	Parts name	Remarks	Level	Cons	Qty
1	21265053	BELT COVER				1
2	21265004	BELT COVER		*		1
3	CM500300001	DIRECTION LABEL		*		1
4	D8232141E00	BELT COVER SUPPORT				1
5	SS7150740SP	SCREW 15/64-28 L=7				1
6	SS6110480SP	SCREW 11/64-40 L=4.3				3
7	WP0621016SD	WASHER 6.2X13X1				2
8	SS7110340SP	SCREW 11/64-40 L= 3.2				6
9	11415866	BOBBIN WINDER COMPL.				1
10	SK3482500SC	WOOD SCREW D=4.8 L=25				2
11	WP0501016SC	WASHER 5X10.5X1				2
12	SS6110480SP	SCREW 11/64-40 L=4.3				1
13	D8231141E0E	BELT COVER TOP A				1
14	D8233141E0A	BELT COVER TOP B				1



THREAD STAND COMPONENTS

No.	Parts No.	Parts name	Remarks	Level	Cons	Qty
1	22930358	THREAD STAND ASM.				1
2	22931109	SPOOL RETAINER		*		2
3	22931000	SPOOL PIN		*		2
4	22930903	SPOOL REST CUSHION		*		2
5	22930804	SPOOL REST		*		2
6	SM6061610SC	SCREW M6 L=16		*		2
7	22930705	THREAD GUIDE ARM JOINT		*		2
8	22931406	SPOOL REST ROD RUBBER CAP		*		1
9	22930507	SPOOL REST ARM		*		2
10	22930408	SPOOL REST ROD, UPPER		*		1
11	22931307	SPOOL REST ROD JOINT		*		1
12	SM4051405SE	SCREW M5 L=14		*		2
13	NM6050001SE	NUT M5		*		2
14	22930309	SPOOL REST ROD, LOWER		*		1
15	22931208	THREAD GUIDE		*		2
16	WS0510002KN	SPRING WASHER		*		2
17	NM6050001SE	NUT M5		*		2
18	NM6160511SE	NUT M16X1.5		*		1
19	WP1702600S0	WASHER 17X30X2.6		*		2

TABLE COMPONENTS

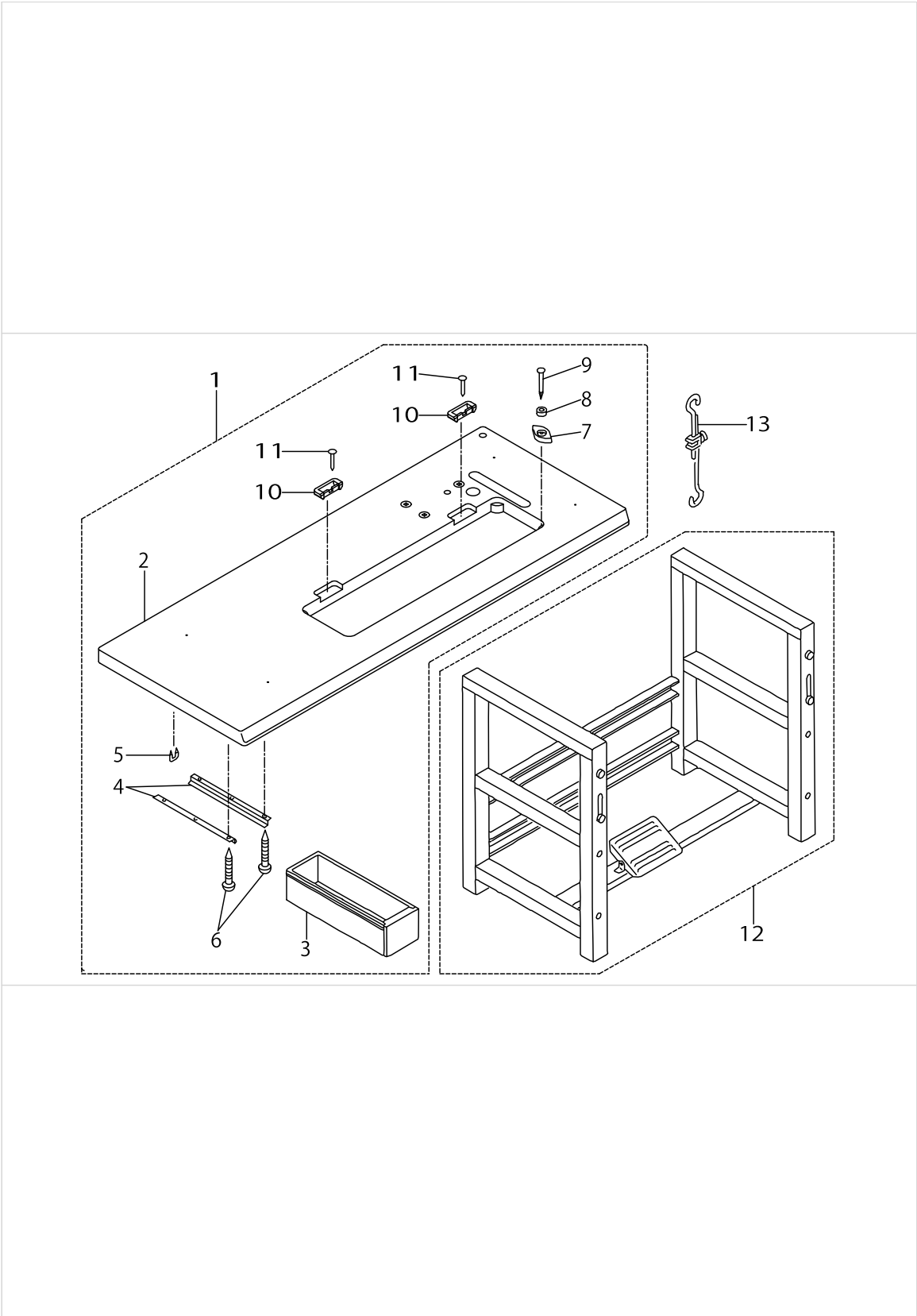
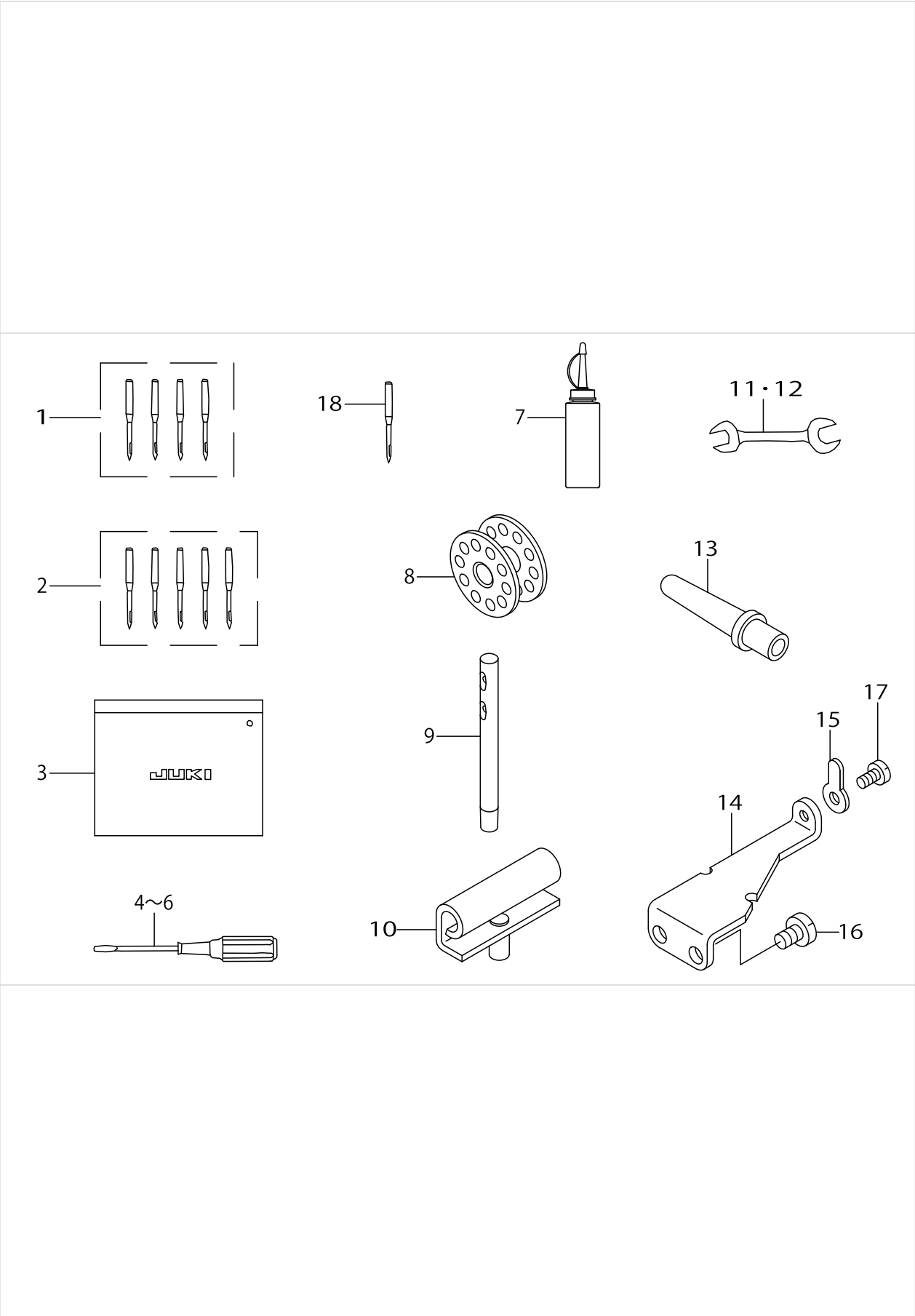


TABLE COMPONENTS

No.	Parts No.	Parts name	Remarks	Level	Cons	Qty
1	21264056	TABLE ASM.				1
2	21264007	TABLE		*		1
3	D8203555B00	DRAWER		*		1
4	B8204012000	DRAWER SUPPORT		*		2
5	D8204555D00	DRAWER STOPPER		*		1
6	SK3311600SE	WOOD SCREW D=3.1 L=16		*		6
7	B8209012000	RUBBER CUSHION		*		4
8	B8206012000	FELT CUSHION		*		4
9	10539906	SET NAIL		*		4
10	11075801	RUBBER SPACER		*		2
11	B8210012000	CUSHION SET NAIL		*		4
12	21065156	LEG ASM.				1
13	B71140120A0	MOTOR CONNECTING ROD ASM.				1



ACCESSORIES PARTS COMPONENTS



ACCESSORIES PARTS COMPONENTS

No.	Parts No.	Parts name	Remarks	Level	Cons	Qty
1	MDB100B2104	NEEDLE DBX1 #21-4EA.	EXCEPT JE			1
2	MC142501305	NEEDLE 1738 130-5	FOR JE			1
3	B9101552000	ACCESSORY BOX				1
4	22933006	SCREW DRIVER,LARGE				1
5	B9110012000	SCREW DRIVER, MIDDLE				1
6	B9111012000	SCREW DRIVER, SMALL				1
7	B91212200A0	OILER (CONTAINING NO.2 OIL)				1
8	B9117201000	BOBBIN				4
9	22958300	NEEDLE THREAD GUIDE PIN				2
10	B8213125AA0	HINGE ASM.				2
11	B9112012000	WRENCH (11X14)				1
12	B9113012000	WRENCH (9X10)				1
13	B8216555000	FRAME SUPPORT				1
14	D7101141E00	SYNCHRONIZER FIXED PLATE	OPTION			1
15	D7102141E00	SYNCHRONIZER SUPPORT PLATE	OPTION			1
16	SS7150940SP	SCREW 15/64-28 L=9	OPTION			2
17	SS7110710SP	SCREW 11/64-40 L=7	OPTION			1
18	MC142501302	NEEDLE 1738 NM130-2	FOR JE			1

LIST FOR INFORMATION OF CHANGE (1)

As to the place changed, refer to the corresponding Rev.No.  
 When previous parts(Obsoleted part)and new parts(Added parts)are  
 not interchangeable with each other:  
 In this case,even obsoleted parts(D.)can be ordered with the  
 obsoleted part number,so select the parts with changed dates and  
 place your orders.

変更箇所は、該当Rev.No.版をご参照ください。  
 部品の互換性がない変更の場合は、削除された品番でも、ご注文できます。

29038205  
 No.0626-01}・・・Rev.No.

\*A:Added parts追加部品/D:Obsoleted parts削除部品/E:Erratum訂正

* Rev. No.	Page 頁	Ref. No.	Parts No. 品番	* Rev. No.	Page 頁	Ref. No.	Parts No. 品番
D 00	2	1	B1112-141-HA0	A 01	2	1	B1110-012-0A0
D 00	2	4	B1112-141-H00	A 01	2	4	B1110-012-000
				A 01	2	44	CM-3002001-01
				A 01	2	45	CM-3002001-A1
				A 01	2	46	CM-3002000-B1
				A 01	2	47	114-15205
				A 01	2	48	CM-3002000-01
D 00	4	7	B1227-145-000	A 01	4	7	B1227-145-00B
D 00	4	27	CS-147121A-SH	A 01	4	27	229-04155
D 00	4	28	CS-1471212-SH	A 01	4	28	229-04106
D 00	4	31	B1302-141-H00	A 01	4	31	B1302-271-000
D 00	4	32	B1303-141-H00	A 01	4	32	B1303-271-000
D 00	4	38	CQ-2020000-00				
D 00	4	39	CQ-2020000-00				
D 00	5	2	B1402-115-000	A 01	5	2	229-06101
D 00	5	4	B1414-232-000	A 01	5	4	B1414-555-000
D 00	5	9	SS-8150310-SP				
D 00	5	10	SS-8110310-SP				
D 00	6	1	B1501-141-H00	A 01	6	1	B1501-127-000
D 00	6	2	B1509-141-H00	A 01	6	2	110-71602
D 00	6	3	B1510-141-H00	A 01	6	3	B1505-227-T00-A
D 00	6	12	SS-8110310-SP				
				A 01	6	12	229-07703
D 00	8	7	B1602-141-H00	A 01	8	7	118-47308
D 00	8	8	B1613-141-H00-A	A 01	8	8	B1613-141-H00
D 00	8	22	B1624-555-000	A 01	8	22	B1624-141-H0A
D 00	8	29	B1148-555-000	A 01	8	29	229-12109
D 00	8	54	B1702-012-000	A 01	8	54	110-02904
D 00	8	57	B1209-141-H00	A 01	8	57	B1208-141-H00
D 00	8	62	B1602-141-H00	A 01	8	62	118-47308
D 00	12	11	B1702-012-000				
D 00	12	21	B3014-141-H00-A	A 01	12	21	B3014-141-H00-B
D 00	12	24	B3017-141-H00-A	A 01	12	24	B3017-141-H00-B
D 00	12	36	B3027-141-H00	A 01	12	36	101-06102
D 00	12	48	PS-0300322-K0	A 01	12	48	PS-0300201-KP
D 00	12	51	SS-6090810-SP	A 01	12	51	SS-7091110-SP



## HOW TO MAKE USE OF THIS PARTS LIST

### 1.Explanation of codes

1)"\*"mark.....means this part is changed from the previous parts book.

As to the details of the change, refer to the "List for information of change".

2)"#01".....refer to "Note" explanation at bottom of page.

### 2.Codes on the "Qty" column

- Each numeral indicates the number of parts required.
- "0.1" and "2.5" indicate the length (in meters) of the respective parts.

3.Parentheses mean that the corresponding part is a subpart that constructs an assembly part.

4.Dotted lines on the Figures indicate assembly parts.

### 1."注記"欄の記号説明

1) "\*"印.....前回のパーツブックに比較して今回変更された部品を意味します。

変更内容は、"変更情報リスト"を参照してください。

2) "#01".....ページ下の"注記"の説明を参照してください。

2.数量欄の数字は、個数を表し、0.1、2.5等の数値は、長さ（単位メートル）を表します。

3.数量欄の（ ）は、組部品を構成している子部品であることを意味します。

4.イラストページの-----枠は、組構成であることを意味します。

# NUMERICAL INDEX OF PARTS

PART NO	PAGE	REF NO.	PART NO	PAGE	REF NO.	PART NO	PAGE	REF NO.
10106102	20	36	22930903	28	4	B1403141H00	8	3
10539906	24	20	22931000	28	3	B1405012000	8	6
10539906	30	9	22931109	28	2	B1408141H00	8	19
11002904	14	54	22931208	28	15	B1411552000	8	18
11071602	10	2	22931307	28	11	B1414555000	8	4
11075801	30	10	22931406	28	8	B1418141H00	8	5
11415205	2	11·47	22933006	32	4~6	B1501127000	10	1
11415866	26	9	22934251	24	35	B1505227T00A	10	3
11847308	12	62	22958300	32	9	B1507141H00	10	5
11847308	14	62	B1105141H00	2	5	B1510155000	10	4
21065156	30	12	B1110012000	2	4	B1511555000	10	9
21106000	14	59	B11100120A0	2	1	B1512141H00	10	7
21221452	2	15	B1111012000	2	2	B1513141H00	10	8
21261003	6	1	B1118141H00	2	9	B1515141H00	10	6
21261102	6	2	B1121141HA0B	2	14	B1525141HA0	10	10
21261201	6	3	B1123141H00	2	11·47	B1526145000	22	64
21261300	6	4	B1126201000	2	8	B1603141H00	12	5
21261508	12	9	B1129141H00	2	7	B1604012000A	12	15
21262506	16	1	B1130141H00	2	6	B1604141H00	12	63
21262605	16	2	B1131141H00	2	13	B1604141H00	14	63
21262803	20	35	B1147555000	12	28	B1605141H00	12	4
21262902	24	1	B1150141H00	2	10	B1606141H00	12	11
21263108	24	19	B1156115000	2	12	B1606141HA0	12	10
21263553	24	21	B11570090A0	2	42	B1611155000A	12	16
21263603	24	30	B1206141H00	6	5	B1613141H00	12	8
21263652	24	29	B1208141H00	14	57	B1614141H00	12	1
21263702	24	31	B1210141H00	8	12	B1618226000	12	17
21263801	24	32	B1211141H00	6	13	B1619141H00	12	18
21264007	30	2	B1211226000	6	8	B1620141H00	12	2
21264056	30	1	B1212012000	6	9	B1621201000	12	19
21265004	26	2	B1213012000	6	10	B1622555000	12	20
21265053	26	1	B1218012000	6	11	B16232010A0A	12	21
22904106	6	28	B122714500B	6	7	B1624141H0A	12	22
22904106	22	67	B1301201000	6	30	B1627226000	12	23
22904155	6	27	B1302271000	6	31	B16331220A0	12	24
22904155	22	66	B1303271000	6	32	B1634141H00	12	3
22906101	8	2	B1304012A00	16	6	B1646201000	12	25
22907703	10	12	B1305012000	6	33	B1647226000	12	26
22912109	12	29	B1306155000	6	34	B1648122000	12	27
22930309	28	14	B1307155000	6	35	B1701115000	14	53
22930358	28	1	B1308155000	6	36	B1702012000	6	12
22930408	28	10	B1308241H00	6	43	B1705155000	12	14
22930507	28	9	B1309115000	6	38	B1706155000	12	12
22930705	28	7	B13091150A0	6	37	B1707155000	12	13
22930804	28	5	B1401141H00	8	1	B1804141H00	16	3

# NUMERICAL INDEX OF PARTS

PART NO	PAGE	REF NO.	PART NO	PAGE	REF NO.	PART NO	PAGE	REF NO.
B1830141HA0	16	4	B3111141HA0	18	1	B8216555000	32	13
B1835012000	16	5	B3111552B00	18	2	B9101552000	32	3
B1901141H00	8	14	B3115552000	18	3	B9110012000	32	4~6
B1901141HA0	8	11	B3116125000	18	4	B9111012000	32	4~6
B1902115000	8	15	B3118552F00	18	11	B9112012000	32	11·12
B1903141H00	8	16	B3120125000	18	5	B9113012000	32	11·12
B1904115000	8	17	B3126012000	18	6	B9117201000	16	8
B3001141H00	20	1	B3127127000	18	12	B9117201000	32	8
B3002141H00	20	2	B3128012000	18	7	B91212200A0	32	7
B3003141H00A	20	3	B3129053000	18	8	CM300200001	4	48
B3005141H00	20	4	B3132552000	18	9	CM3002000B1	2	46
B3006141H00	20	5	B3134141H00	18	13	CM300200101	2	44·45
B3007141H00	20	6	B3214047000	2	19	CM3002001A1	2	44·45
B3008141H00	20	7	B3216047000	2	20	CM500300001	26	3
B3009141H0A	20	8	B3401141H00	24	12	CQ200000000	6	17
B3010141H00	20	9	B3402141H00A	24	13	CQ202000000	2	25
B3011141H00	20	10	B3402141HA0A	24	11	CQ202000000	12	30
B3011141H0A	20	12	B3403141H00	24	14	CQ202000000	16	9
B3012141H00A	20	18	B3404141H00	24	15	CQ252000000	16	14
B3013141H0A	20	19·20	B3405141H00	24	16	CS0791016SH	16	16
B3013141H0B	20	19·20	B3406141H00	24	17	CS079101CSH	16	15
B3014141H00B	20	21	B3414051000	24	7	CS1111019SH	14	67
B3015141H00	20	22	B3415241H00	24	5	CS111101CSH	14	50
B3016141H00	20	23	B3416141H00A	24	3	CS111101DSH	14	66
B3017141H00B	20	24	B3418245000	24	8	D1704241E00	14	58
B3018141H00	20	25	B3420141H00	24	22	D1837141EA0	16	18
B3019141H00	20	26	B3424141H00	24	26	D3161555B00	2	16
B3020141H00	20	27	B3425141H00	24	27	D3162555B00	2	17
B3021141H00	20	28	B3426141H00A	24	28	D3168555H0B	2	18
B3022141H00	20	29	B3432141H00	24	23	D7101141E00	32	14
B3023141H00A	20	31	B3433141H0A	24	24	D7102141E00	32	15
B3023141HA0A	20	30	B3434141H00	24	25	D8203555B00	30	3
B3024141H00	20	32	B3435141H00	24	33	D8204555D00	30	5
B3025141H00A	20	34	B3503201000	2	21	D8231141E0E	26	13
B3028141H00	20	37	B3504201000	2	22	D8232141E00	26	4
B3029141H00	20	38	B3511280000	16	7	D8233141E0A	26	14
B3030141H00	20	39	B3515201000	2	23	MC142501300	8	7·8
B3031141H00	20	40	B3517009000	2	43	MC142501302	32	18
B3032141H00	20	41	B3527012000	2	24	MC142501305	32	2
B3033141H00	20	42	B71140120A0	30	13	MDB100B2100	8	7·8
B3034141H00	20	43	B8204012000	30	4	MDB100B2104	32	1
B3035141H00	20	44	B8206012000	30	8	NM6050001SE	28	17
B3036141H00	20	45	B8209012000	30	7	NM6160511SE	28	18
B3037141H00	20	47	B8210012000	30	11	NS6150310SP	20	17
B3037141HA0	20	46	B8213125AA0	32	10	NS6160520SP	22	59

## NUMERICAL INDEX OF PARTS

PART NO	PAGE	REF NO.	PART NO	PAGE	REF NO.	PART NO	PAGE	REF NO.
NS6620310SP	24	6	SS7090620TP	2	33	SS8660610TP	14	52
NS6660430SP	22	60	SS7090710SP	12	45	SS8660610TP	20	68
NS6680320SP	20	62	SS7090920SP	6	6	SS8660610TP	22	68
NS6680320SP	22	62	SS7091110SP	10	16	SS8660810TP	6	42
NS6680410SP	12	56	SS7091110SP	22	51	SS8681950SP	6	22
NS6680410SP	14	56	SS7110340SP	26	8	SS9181520CP	6	39
NS6680410SP	22	61	SS7110510SP	2	37	SS9182010SN	24	34
PS0300132KH	10	11	SS7110540SP	24	9	SS9660720SP	12	42
PS0300201KP	22	48	SS7110710SP	2	36	SS9660910SP	12	41
PS0350102KR	2	29	SS7110710SP	32	17	TA0300503R0	6	14
RE0400000K0	20	33	SS7110840SP	10	14	TA0300503R0	16	13
RE0500711KP	14	49	SS7110910SP	22	50	TA1250406R0	2	40
RO133170100	6	40	SS7111120SP	14	60	WP0501016SC	26	11
SD0600271SP	18	14	SS7111120SP	22	56	WP0550800SP	24	10
SD0600321SP	18	15	SS7111410TP	22	52	WP0621016SD	26	7
SD0790351SP	24	4	SS7112420SP	2	32	WP0650876SD	22	63
SD0850751SP	20	13	SS7120910SP	12	36	WP1702600S0	28	19
SD0950802SH	12	31	SS7120910SP	24	18	WS0510002KN	28	16
SD0991551SP	24	2	SS7121410SP	12	33	WZ1052010KP	14	48
SD1020961SP	22	49	SS7150740SP	26	5			
SD1020962SP	14	55	SS7150940SP	32	16			
SK3311600SE	30	6	SS7620750SP	12	38			
SK3482500SC	26	10	SS7681750TP	6	21			
SK3483201SE	24	36	SS8090670SP	18	10			
SM4051405SE	28	12	SS8110510SP	2	38			
SM6061610SC	28	6	SS8110510SP	16	17			
SS2090710SP	2	41	SS8110750SP	10	15			
SS2110920TP	2	30	SS8111251SP	2	31			
SS4080620TP	12	34	SS8150510TP	20	54			
SS5090610SP	2	34	SS8150510TP	22	54			
SS6060210SP	2	3	SS8150710SP	6	26			
SS6090670TP	8	13	SS8150710SP	12	65			
SS6110480SP	26	12	SS8150710SP	14	65			
SS6110710TP	14	69	SS8150710SP	16	11			
SS6111610SP	2	39	SS8150710SP	18	16			
SS6111620SP	16	12	SS8151150SP	6	18			
SS6121050SP	12	40	SS8151150SP	16	10			
SS6121210SP	12	43	SS8151550SP	6	41			
SS6121210SP	22	53	SS8151550SP	8	10			
SS6151220SP	12	39	SS8151780SP	6	25			
SS6151440SP	20	15	SS8620610TP	12	35			
SS6151920SP	14	61	SS8660530TP	14	68			
SS6661110SP	12	37	SS8660530TP	22	55			
SS7080510TP	8	9	SS8660610TP	6	29			
SS7090610SP	22	65	SS8660610TP	10	13			