

MODEL : DSU-142/DSU-142-4,-7

List No : 0613-03

# PARTS LIST

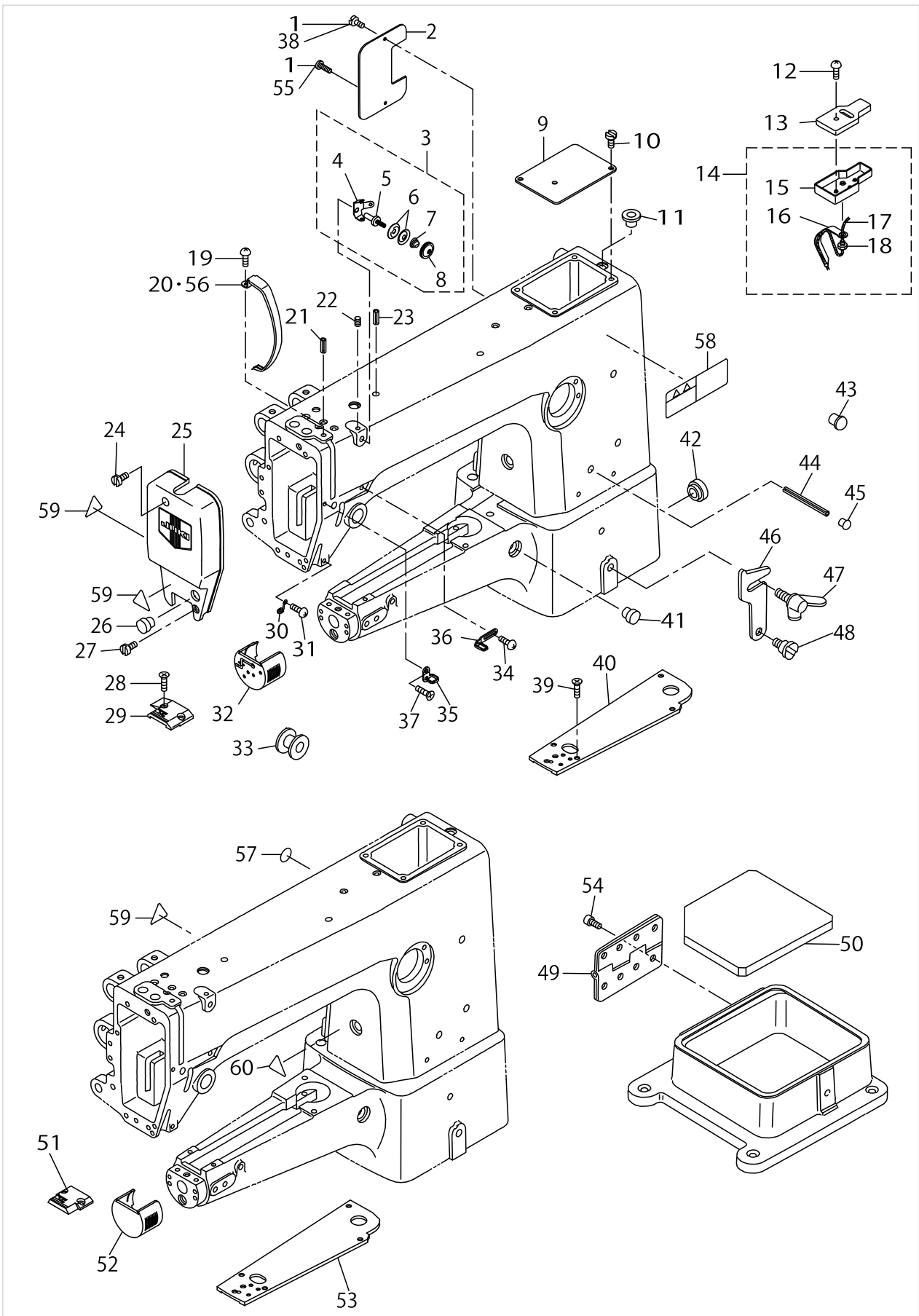
Published:09/10/2017

## CONTENTS

---

FRAME & MISCELLANEOUS COVER COMPONENTS .....	1
MAIN SHAFT & ARM SHAFT COMPONENTS .....	5
NEEDLE BAR,THREAD TAKE-UP LEVER & PRESSER BAR COMPONENTS.....	7
FEED MECHANISM COMPONENTS.....	9
REVERSE FEED MECHANISM COMPONENTS.....	13
HOOK DRIVING SHAFT COMPONENTS .....	15
THREAD TRIMMER COMPONENTS (1) (EXCEPT DSU-142).....	17
THREAD TRIMMER COMPONENTS (2) (EXCEPT DSU-142).....	21
UPPER FEED MECHANISM COMPONENTS .....	23
THREAD TENSION COMPONENTS .....	27
BELT COVER & BOBBIN WINDER COMPONENTS .....	29
KNEE LIFTER COMPONENTS .....	31
TABLE COMPONENTS .....	33
THREAD STAND COMPONENTS.....	35
ACCESSORIES PARTS COMPONENTS .....	37
GAUGE COMPONENTS.....	39
LIST FOR INFORMATION OF CHANGE (1).....	41
LIST FOR INFORMATION OF CHANGE (2).....	42
HOW TO MAKE USE OF THIS PARTS LIST .....	43

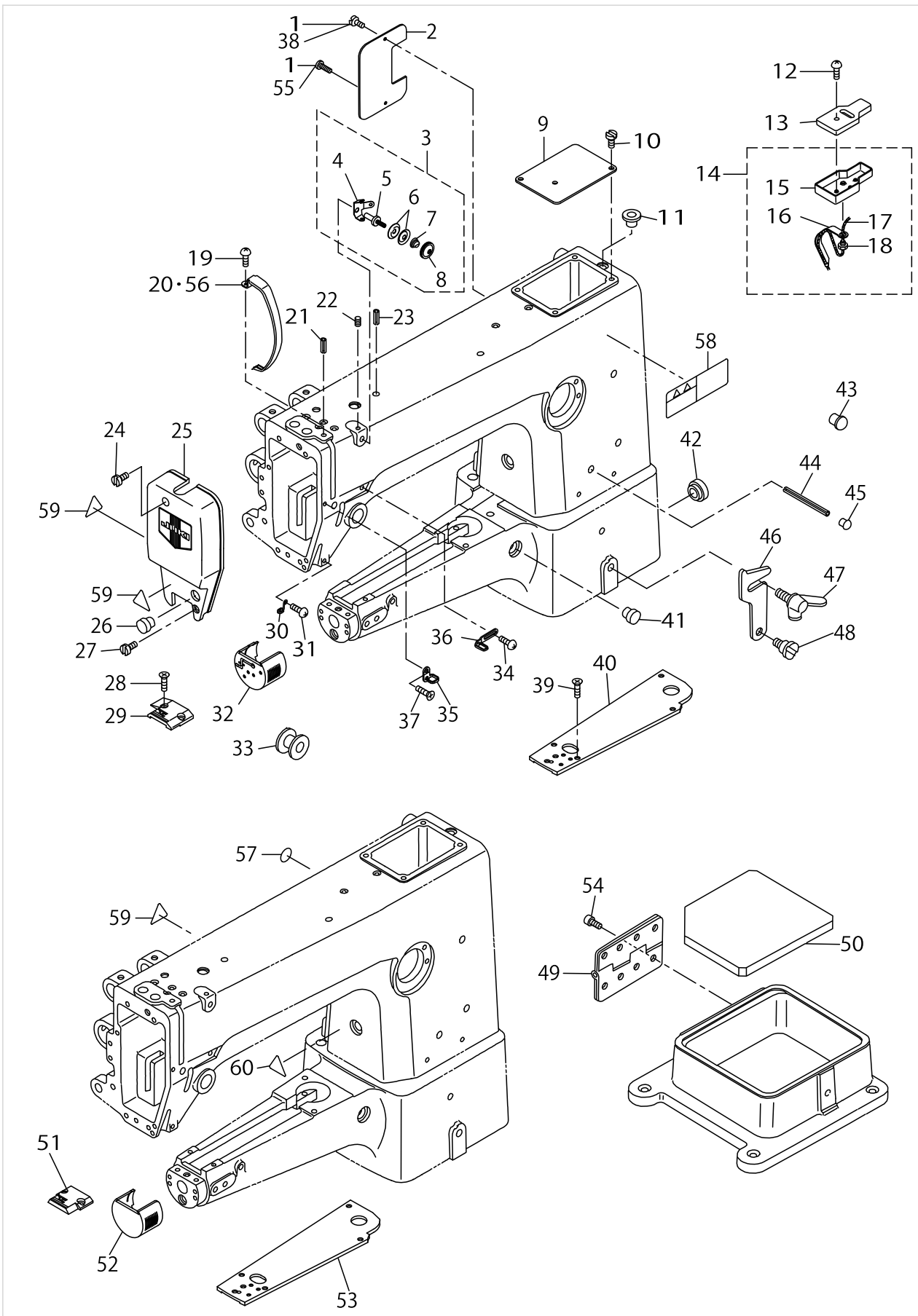
FRAME & MISCELLANEOUS COVER COMPONENTS



FRAME & MISCELLANEOUS COVER COMPONENTS

No.	Parts No.	Parts name	Remarks	Level	Cons	Qty
1	SS7110910SP	SCREW 11/64-40 L=8.5	FOR DSU-142,-4			2
2	B1118141H0AA	SIDE PLATE				1
3	21205059	THREAD TENSION NO.1 ASM.				1
4	D3162560E00	THREAD GUIDE		*		1
5	D3161555B00	FIRST TENSION POST		*		1
6	B3214047000	BOBBIN WINDER TENSION DISC		*		2
7	B3218232000	BOBBIN WINDER TENSION SPRING		*		1
8	B3216047000	BOBBIN WINDER TENSION NUT		*		1
9	40032259	SIDE COVER				1
10	SS7110710SP	SCREW 11/64-40 L=7				2
11	B1156115000	RUBBER PLUG				2
12	SS7112420SP	SCREW 11/64-40 L=24				1
13	B3504201000	OIL FELT				1
14	B35031450A0	OIL RESERVOIR ASM.				1
15	B3503201000	OIL RESERVOIR		*		1
16	B3527012000	HOLDER		*		1
17	CQ202000000	OIL WICK		*		0.3
18	B3515201000	CLAMP SLEEVE NUT		*		1
19	SS7110510SP	SCREW 11/64-40 L=5				1
20	B1123141H0A	THREAD TAKE-UP LEVER COVER	FOR EXPORT			1
21	PS0350102KR	SPRING PIN 3.5X10				2
22	SS8110750SP	SCREW 11/64-40 L=6.5				1
23	PS0350102KR	SPRING PIN 3.5X10				1
24	SS7112420SP	SCREW 11/64-40 L=24				1
25	21215355	FACE PLATE ASM.				1
26	TA1250406R0	RUBBER PLUG D=12.5 L=4				1
27	SS6111610SP	SCREW 11/64-40 L=16				1
28	SS2110915SP	SCREW 11/64-40 L=8.5				2
29	21203005	THRORT PLATE	EXCEPT DSU-142			1
30	B1129141H00	THREAD GUIDE				1
31	SS7090620TP	SCREW 9/64-40 L=6.1				1
32	21201207	HOOK COVER	EXCEPT DSU-142			1
33	D2414141E00	LORD BUSHING	EXCEPT DSU-142			1
34	SS5090610SP	SCREW 9/64-40 L=6				1
35	B1131141H00	FRAME THREAD GUIDE B				1
36	D1126560E00A	ARM THREAD GUIDE A				1
37	SS2090710SP	SCREW 9/64-40 L=7				1
38	SS7110910SP	SCREW 11/64-40 L=8.5	FOR DSU-142-7			1
39	SS2090710SP	SCREW 9/64-40 L=7				2
40	D1173145E00	BED TOP COVER	EXCEPT DSU-142			1
41	TA1250406R0	RUBBER PLUG D=12.5 L=4				1
42	TA2100904R0	RUBBER PLUG				1
43	TA1120804R0	RUBBER PLUG				1
44	PS0600602KP	SPRING PIN				1
45	TA0750704R0	RUBBER PLUG	EXCEPT DSU-142			1
46	B1117246000	HOOK				1
47	B1116246000	WING BOLT				1

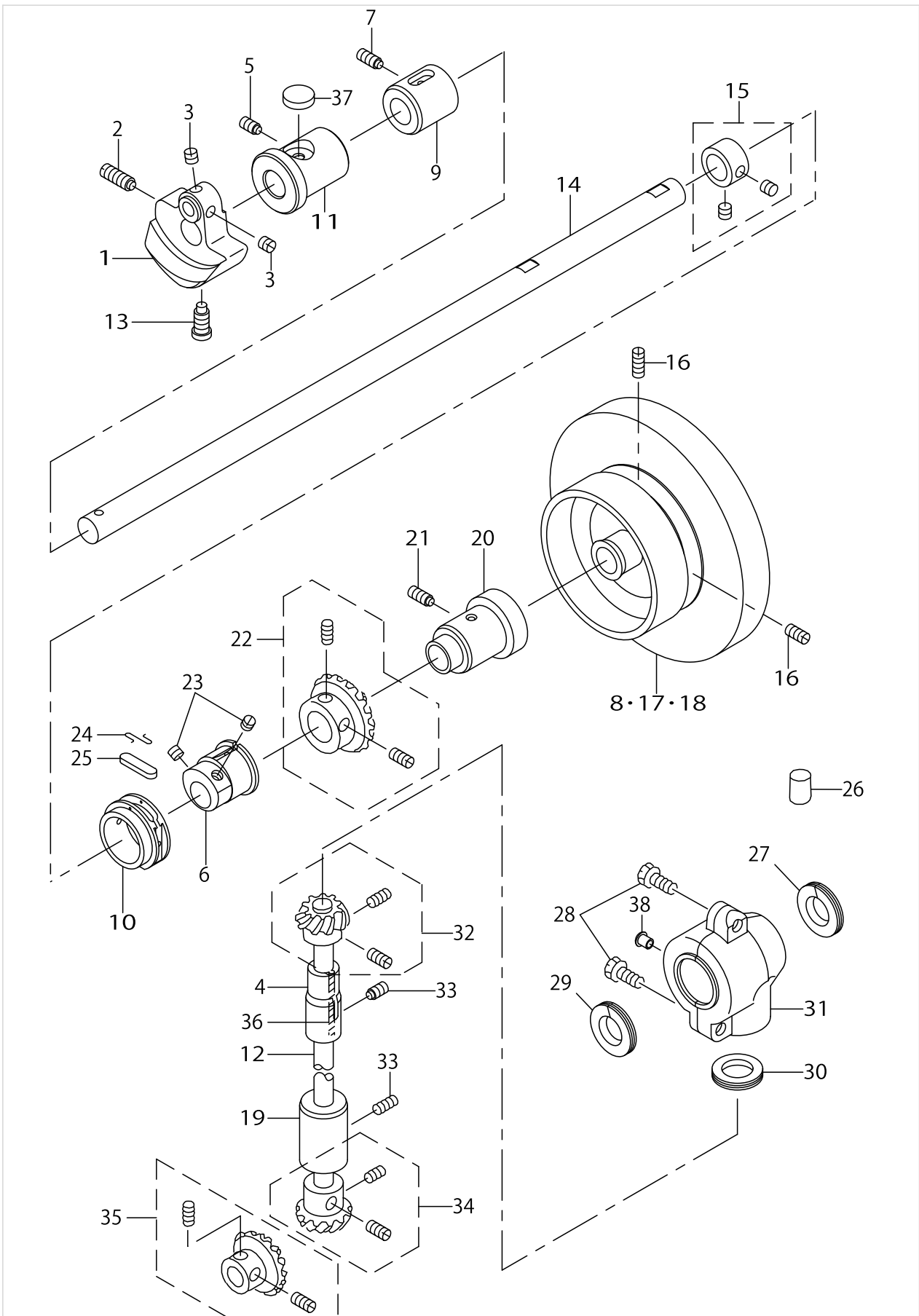
FRAME & MISCELLANEOUS COVER COMPONENTS



FRAME & MISCELLANEOUS COVER COMPONENTS

No.	Parts No.	Parts name	Remarks	Level	Cons	Qty
48	SD0800352SP	HINGE SCREW D=8 H=3.5				1
49	B1128246000	HINGE				1
50	21133103	OIL FELT				1
51	21202007	THRORT PLATE	FOR DSU-142			1
52	21201306	HOOK COVER	FOR DSU-142			1
53	21201405	BED COVER	FOR DSU-142			1
54	SM6082002TP	SCREW M8 L=20				8
55	SS7111410SP	SCREW 11/64-40 L=14	FOR DSU-142-7			1
56	11415205	THREAD TAKE-UP LEVER COVER(JE)	FOR USE IN JAPAN			1
57	22901805	GROUND MARK				1
58	CM301300001	SAFETY LABEL	FOR DSU-142,-7			1
59	CM300200001	ATTENTION SEAL	FOR DSU-142(USE IN JAPAN,JE)			3
60	CM300200001	ATTENTION SEAL	FOR DSU-142-7(USE IN JAPAN,JE)			4

MAIN SHAFT & ARM SHAFT COMPONENTS

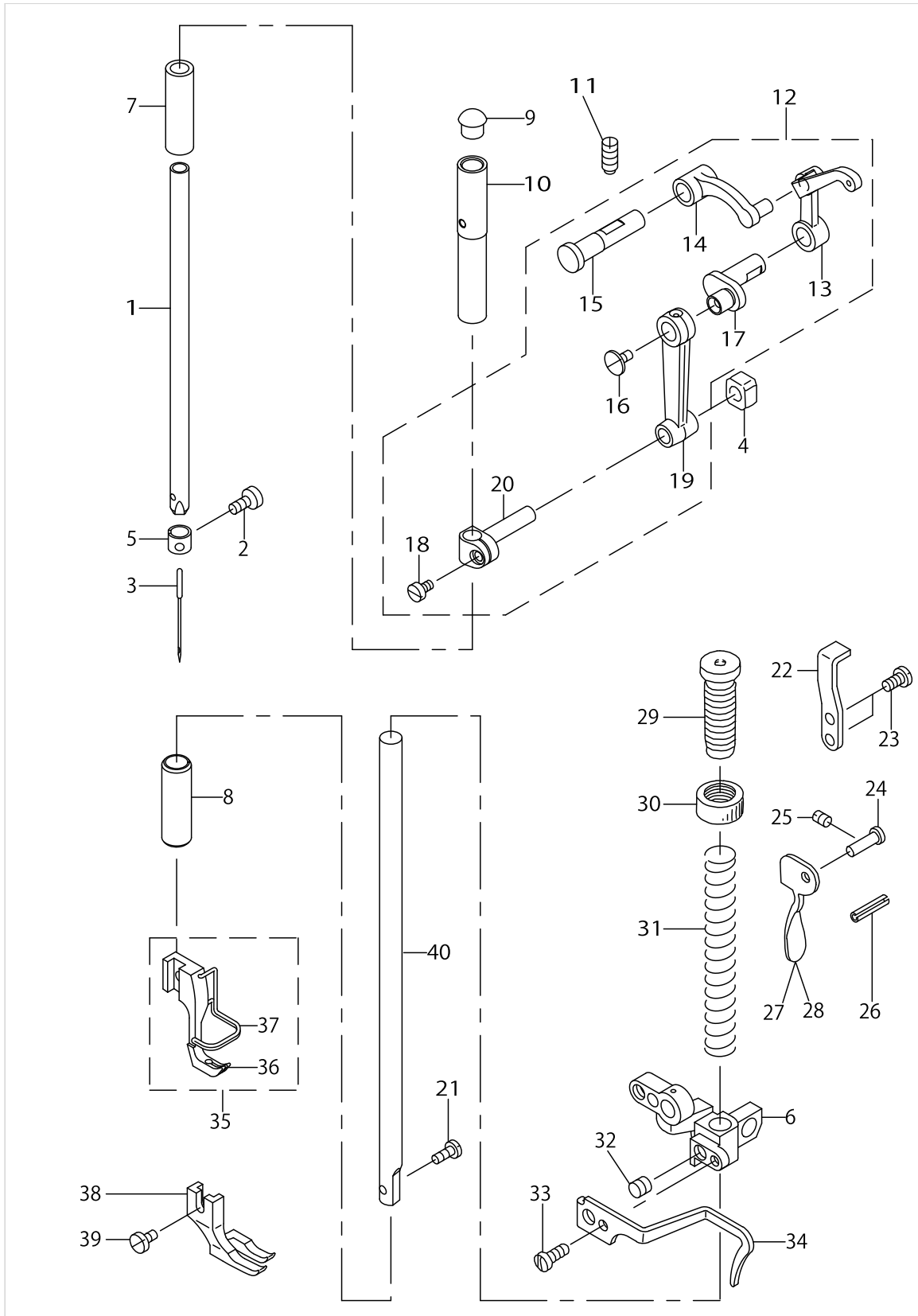


MAIN SHAFT & ARM SHAFT COMPONENTS

No.	Parts No.	Parts name	Remarks	Level	Cons	Qty
1	D1206141E00	COUNTERWEIGT				1
2	SS8681950SP	SCREW 9/32-28 L=19				1
3	SS8660610TP	SCREW 1/4-40 L=6				2
4	B1302201000	BUSHING UPPER				1
5	SS8151150SP	SCREW 15/64-28 L=10.5				1
6	B1211141H00	FEED ECCENTRIC CAM				1
7	SS8151550SP	SCREW 15/64-28 L=15				1
8	21286604	FLYWHEEL	FOR DSU-142			1
9	B1203141H00	MAIN SHAFT BUSHING INTERMEDIA				1
10	B1211226000	ECCENTRIC RETAINER HOUSING				1
11	B1202141H0A	MAIN SHAFT BUSHING FRONT				1
12	B1301201000	UPRIGHT SHAFT				1
13	SS7681750TP	SCREW 9/32-28 L=16.5				1
14	D1201141E00A	MAIN SHAFT				1
15	22904155	MAIN SHAFT THRUST COLLAR ASM.				1
16	SS8151550SP	SCREW 15/64-28 L=15				2
17	21295308	HAND WHEEL	EXCEPT DSU-142			1
18	B122714500A	HAND WHEEL	OPIONAL PARTS FOR DSU-142			1
19	B1303271000	BUSHING LOWER				1
20	21205109	REAR BUSHING				1
21	SS8151550SP	SCREW 15/64-28 L=15				1
22	B13050120A0	GEAR ASM.				1
23	SS8150710TP	SCREW 15/64-28 L=7				2
24	B1213012000	FELT RETAINER				1
25	B1212012000	OIL FELT				1
26	B3517009000	OIL FELT REAR				1
27	B1311012000	OIL SEAL (B)				1
28	SS9181520CP	SCREW 9/32-20 L=15.0				2
29	B1310012000	OIL SEAL (A)				1
30	B1312012000	OIL SEAL (C)				1
31	B1308012000	GEAR CASE				1
32	B13061550A0	PINION ASM.				1
33	SS8151550SP	SCREW 15/64-28 L=15				2
34	B13071550A0	GEAR ASM. LARGE				1
35	B13081550A0	PINION ASM.				1
36	CQ202000000	OIL WICK				0.1
37	B1203051000	OIL FELT				1
38	TA0550604R0	RUBBER PLUG				1



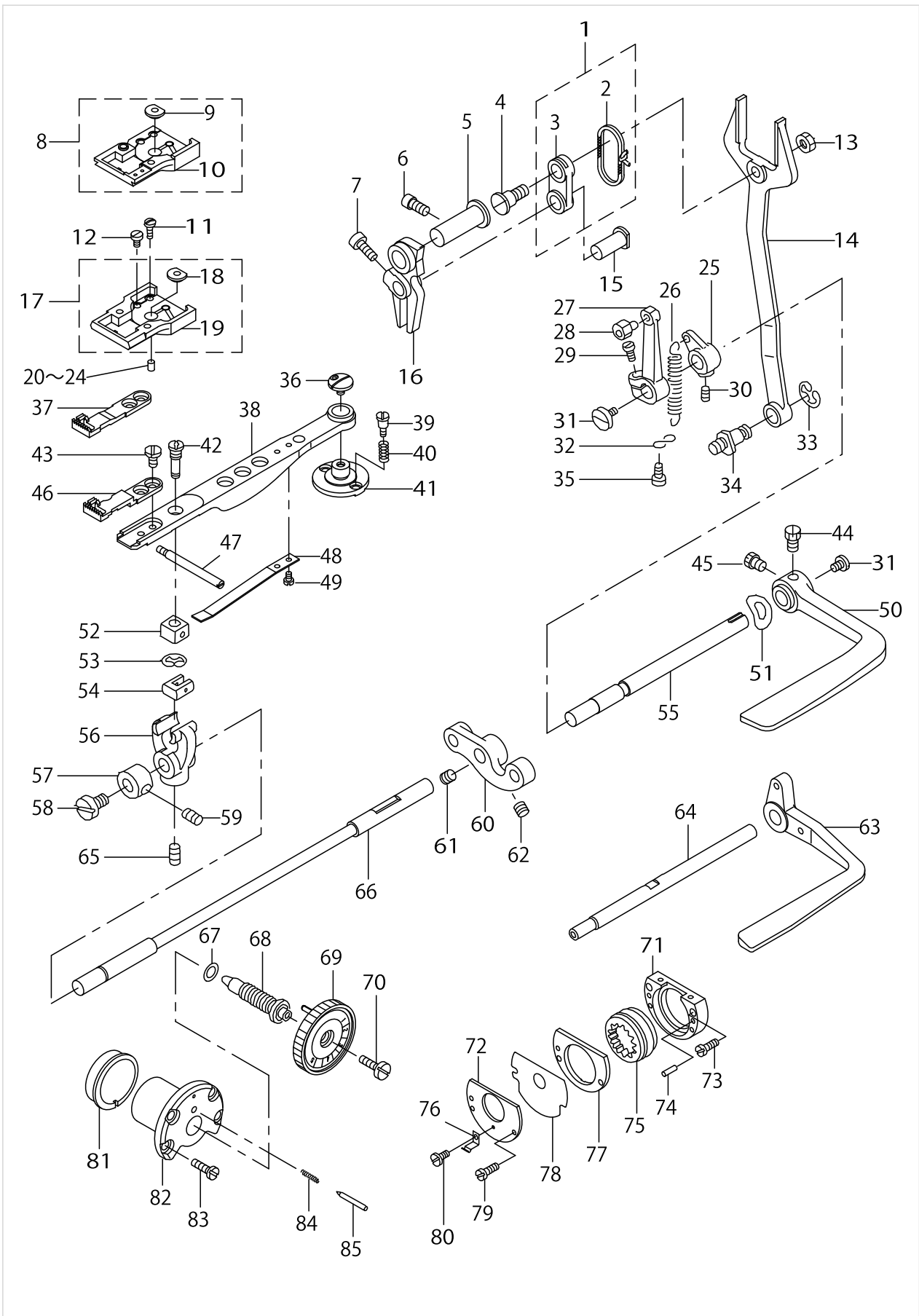
NEEDLE BAR, THREAD TAKE-UP LEVER & PRESSER BAR COMPONENTS



NEEDLE BAR,THREAD TAKE-UP LEVER & PRESSER BAR COMPONENTS

No.	Parts No.	Parts name	Remarks	Level	Cons	Qty
1	21205307	NEEDLE BAR				1
2	SS7080510TP	SCREW 1/8-44 L=4.5				1
3	M13517B1100	NEEDLE 135X17 #110				1
4	B1414555000	SLIDE BLOCK				1
5	D1418141E00	NEEDLE BAR THREAD GUIDE				1
6	21103304	PRESSER BAR GUIDE BRACKET				1
7	D1403141E00	NEEDLE BAR BUSHING LOWER				1
8	B1510155000	PRESSER BAR LOWER BUSHING				1
9	22901409	NEEDLE BAR UPPER BUSH CAP				1
10	22906101	NEEDLE BAR BUSHING UPPER				1
11	SS8151550SP	SCREW 15/64-28 L=15				1
12	21211651	THREAD TAKE-UP ASM.				1
13	B1901115000	THREAD TAKE-UP LEVER		*		1
14	B1902115000	THREAD TAKE-UP CRANK		*		1
15	B1904115000	THREAD TAKE-UP CRANK SHAFT STUD		*		1
16	B1903141H00	END SCREW LEFT		*		1
17	B1210141H00	NEEDLE BAR CRANK		*		1
18	SS6090670TP	SCREW 9/64-40 L=6		*		1
19	B1408141H00	NEEDLE BAR CRANK ROD		*		1
20	B14115520A0	NEEDLE BAR CONNECTING ASM.		*		1
21	SS7091110SP	SCREW 9/64-40 L=10.5				1
22	B1515141H00	LIFTING LEVER				1
23	SS7110840SP	SCREW 11/64-40 L=7.8				2
24	B1513141H00	HAND LIFTER SHAFT				1
25	SS8110750SP	SCREW 11/64-40 L=6.5				1
26	PS0300132KH	SPRING PIN 3X13				1
27	B1512141H00	HAND LIFTER	FOR DSU-142			1
28	D1512141E00	HAND LIFTER	EXCEPT DSU-142			1
29	B1509141H00	PRESSER SPRING REGULATOR				1
30	22907604	PRESSER SPRING REGULATOR NUT				1
31	B1510141H00	PRESSER SPRING				1
32	SS8660610TP	SCREW 1/4-40 L=6				1
33	SS6110610TP	SCREW 11/64-40 L=6				1
34	21286802	THREAD GUIDE				1
35	D1525141EA0	PRESSER FOOT ASM.				1
36	D1525141E00	PRESSER FOOT BOTTOM		*		1
37	B1421141H00	FINGER GUARD		*		1
38	B1526145000	PRESSURE FOOT	FOR DSU-142			1
39	SS7090610SP	SCREW 9/64-40 L=6				1
40	B1501141H00	PRESSER BAR				1

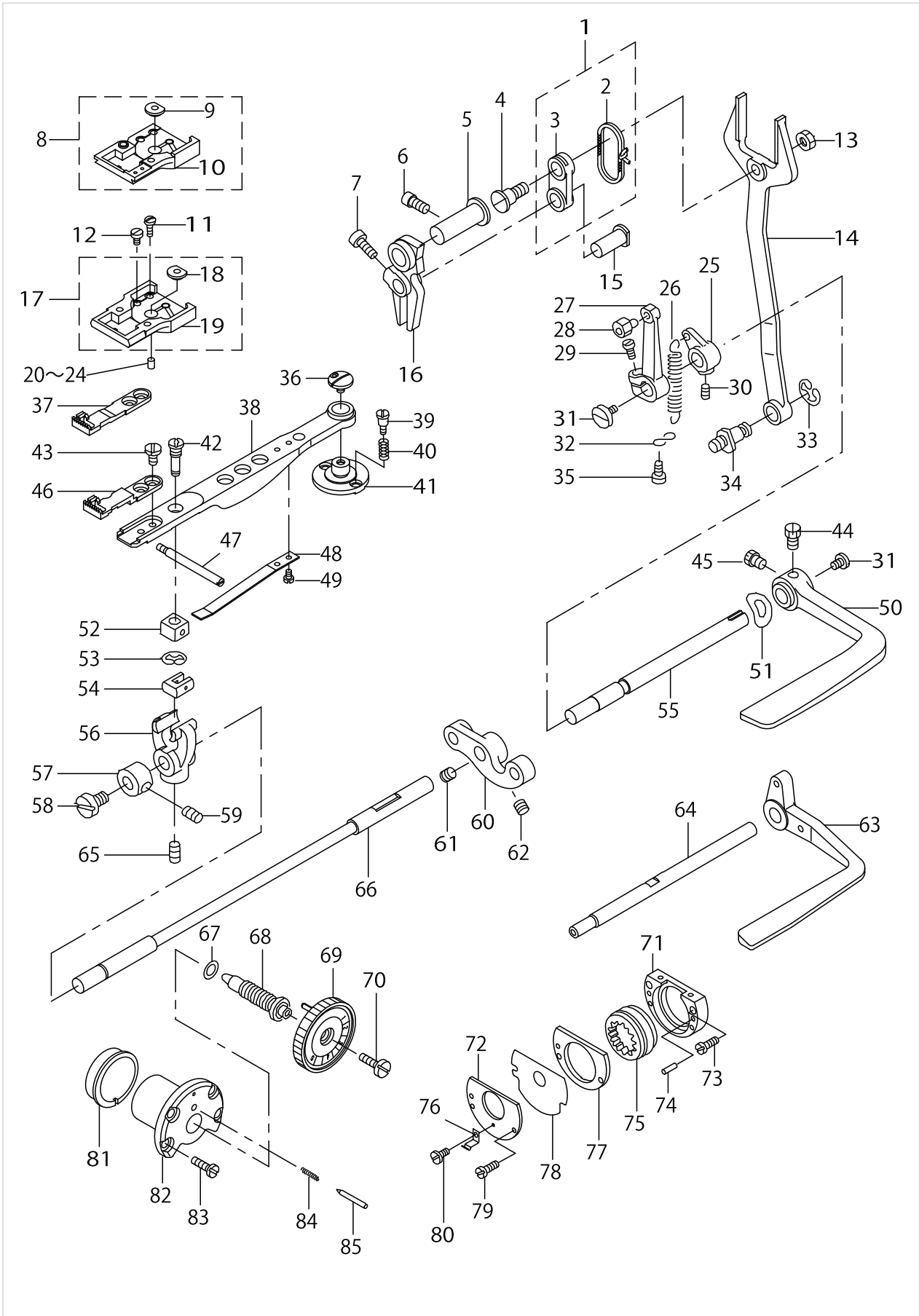
FEED MECHANISM COMPONENTS



FEED MECHANISM COMPONENTS

No.	Parts No.	Parts name	Remarks	Level	Cons	Qty
1	B16191150A0	REGULATOR CONNECTING LINK ASM.				1
2	CQ200000000	OIL WICK		*		0.3
3	B1619115000	FEED REGULATOR CONNECTING LINK		*		1
4	SD0950802SH	HINGE SCREW D=9.53 H=8				1
5	B1622141H00	HINGE PIN				1
6	SS6151220SP	SCREW 15/64-28 L=11.5				1
7	SS6661110SP	SCREW 1/4-40 L=11				1
8	21205562	NEEDLE PLATE BASE ASM.	EXCEPT DSU-142			1
9	21205604	FEED DRIVING PIN METAL		*		1
10	21205513	THROAT PLATE REST		*		1
11	SS2090810SP	SCREW 9/64-40 L=7.5				2
12	SS6090610SP	SCREW 9/64-40 L=5.5				2
13	NS6680410SP	NUT 9/32-28				1
14	B1614145000	PITMAN				1
15	B1618226000	HINGE PIN				1
16	B1620145000	FEED REGULATOR				1
17	21205760	THROAT PLATE REST ASM.	FOR DSU-142			1
18	21205604	FEED DRIVING PIN METAL		*		1
19	21205711	THROAT PLATE REST		*		1
20	B163224500C	PIN	SELECTIVE PARTS			1
21	B163224500D	PIN	SELECTIVE PARTS			1
22	B163224500E	PIN				1
23	B163224500F	PIN	SELECTIVE PARTS			1
24	B163224500G	PIN	SELECTIVE PARTS			1
25	B1647226000	SUSPENSION BRACKET (A)				1
26	B1646201000	TENSION SPRING				1
27	B1627226000	REVERSEFEEDCONTROLLEVERCRANK				1
28	B16331220A0	CRANK SLIDE BLOCK STUD ASM.				1
29	SS6121210SP	SCREW 3/16-28 L=12				1
30	SS8150710SP	SCREW 15/64-28 L=7				1
31	SS7620750SP	SCREW 3/16-32 L=6.5				2
32	B1648122000	SUSPENSION HOOK (B)				1
33	RE0700000K0	E-RING 7				1
34	B1424158000	HINGE SCREW				1
35	SS7090710SP	SCREW 9/64-40 L=6.8				1
36	B1640145000	FEED BAR SLIDE SCRER STUD				1
37	21206008	FEED DOG	FOR DSU-142			1
38	B1606145000	FEED BAR				1
39	B1641245000	HINGE SCREW				2
40	B1642245000	SPRING				2
41	B1639145000	FEED BAR STUD				1
42	B1645245000	FEED BAR SLIDE SCREW STUD				1
43	B1652245000	SCREW				2
44	SS9660910SP	SCREW 1/4-40 L=9.4	FOR DSU-142,-4-1,-7-00			1
45	SS9660720SP	SCREW 1/4-40 L=7	FOR DSU-142,-4-1,-7-00			1
46	21207006	FEED DOG	EXCEPT DSU-142			1
47	B1638245000	SCREW STUD				1

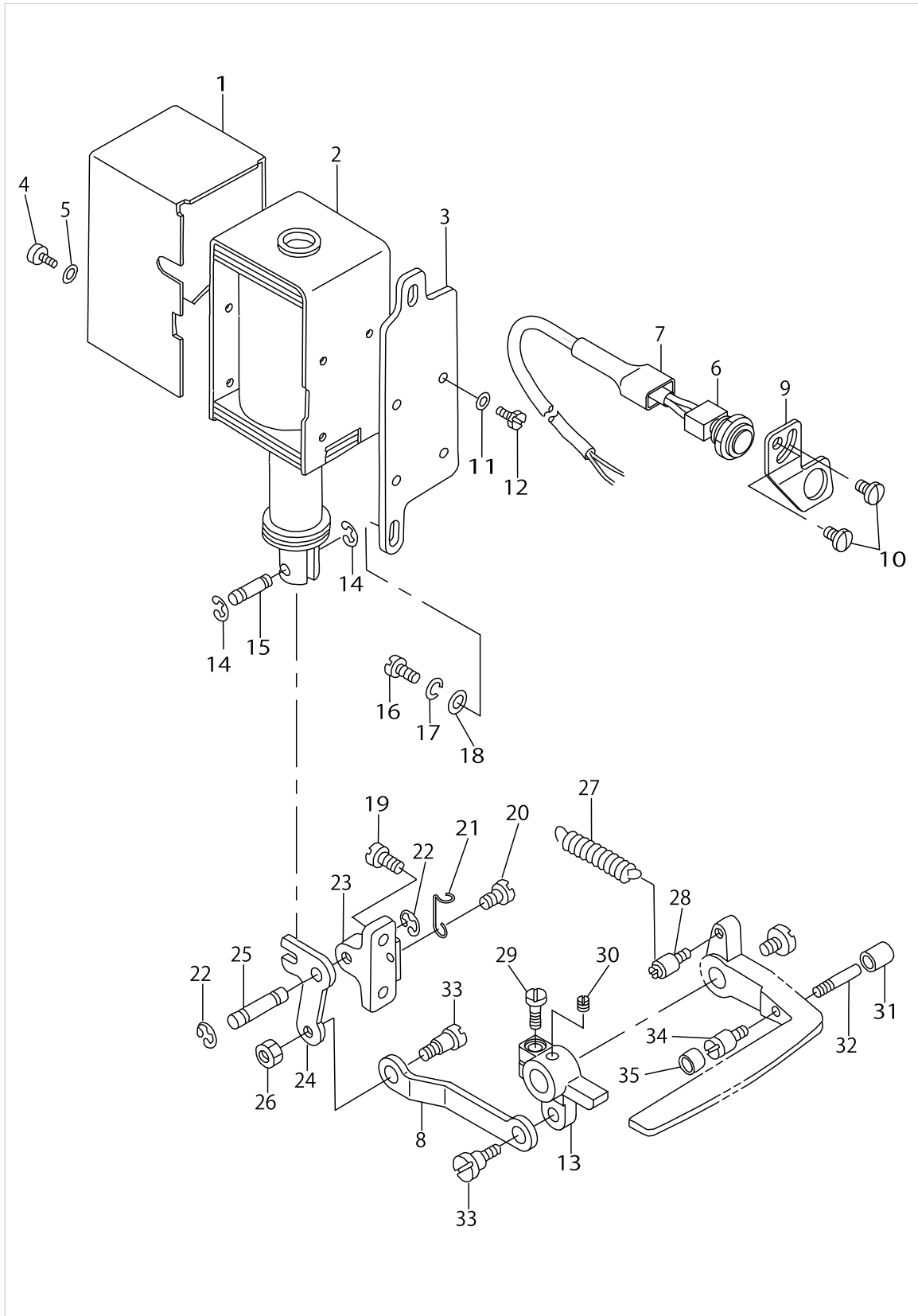
FEED MECHANISM COMPONENTS



FEED MECHANISM COMPONENTS

No.	Parts No.	Parts name	Remarks	Level	Cons	Qty
48	21208004	FEED SPRING				1
49	SS7080520SP	SCREW 1/8-44 L=4.9				2
50	B1624141H00	FEED LEVER	FOR DSU-142,-4-1,-7-00			1
51	WZ1052010KP	WAVED WASHER	FOR DSU-142			1
52	B1644245000	FEED BAR SLIDE BLOCK B				1
53	RE0300000K0	E-RING 3				1
54	B1643145000	FEED BAR SLIDE BLOCK A				1
55	B1621141H00A	CONTROL LEVER SHAFT	FOR DSU-142,-4-1,-7-00			1
56	B1603245000	FEED ROCKER				1
57	B1646245000	THRUST COLLAR				1
58	SS5110710SP	SCREW 11/64-40 L=7				1
59	SS8110410TP	SCREW 11/64-40 L=3.5				2
60	B1605145000	FEED ROCK SHAFT CRANK				1
61	SS8150710SP	SCREW 15/64-28 L=7				1
62	SS8150830SP	SCREW				1
63	D1624141E0A	REVERSE FEED CONTROL LEVER	FOR DSU-142-4-1B,-7-0B			1
64	D1621141E00	LEVER SHAFT	FOR DSU-142-4-1B,-7-0B			1
65	SS8701042TP	SCREW 5/16-24 L=10.0				1
66	21208103	FEED ROCK SHAFT				1
67	RO074240100	RUBBER RING				1
68	B1634141H00A	STITCH LENGTH REGULATING SCREW				1
69	21208350	STITCH DIAL ASM.				1
70	SS6121050SP	SCREW 3/16-28 L=9.5				1
71	B1635245000	FEED DRIVING CAM HOLDER B				1
72	B1637245000	FEED DRIVING CAM HOLDER PLATE				1
73	B1651245000	SCREW				2
74	PS0400182K0	SPRING PIN 4.0X18				2
75	B1647145000	FEED DRIVING CAM				1
76	21208202	POSITIONING FINGER				1
77	B1654245000	FEED DRIVING HOLDER A				1
78	B1655245000	FEED DRIVING CAM HOLDER WASHER				1
79	SS4081110SN	SCREW 1/8-44 L=11				2
80	SS6060210SP	SCREW 3/32-56 L=1.9				1
81	B1637141H00	ECCENTRIC BUSHING				1
82	B1636141H0A	STITCH DIAL BASE				1
83	B1638141H00	SCREW				4
84	B1148141H00	SPRING				1
85	B1147141H00	PIN				1

# REVERSE FEED MECHANISM COMPONENTS

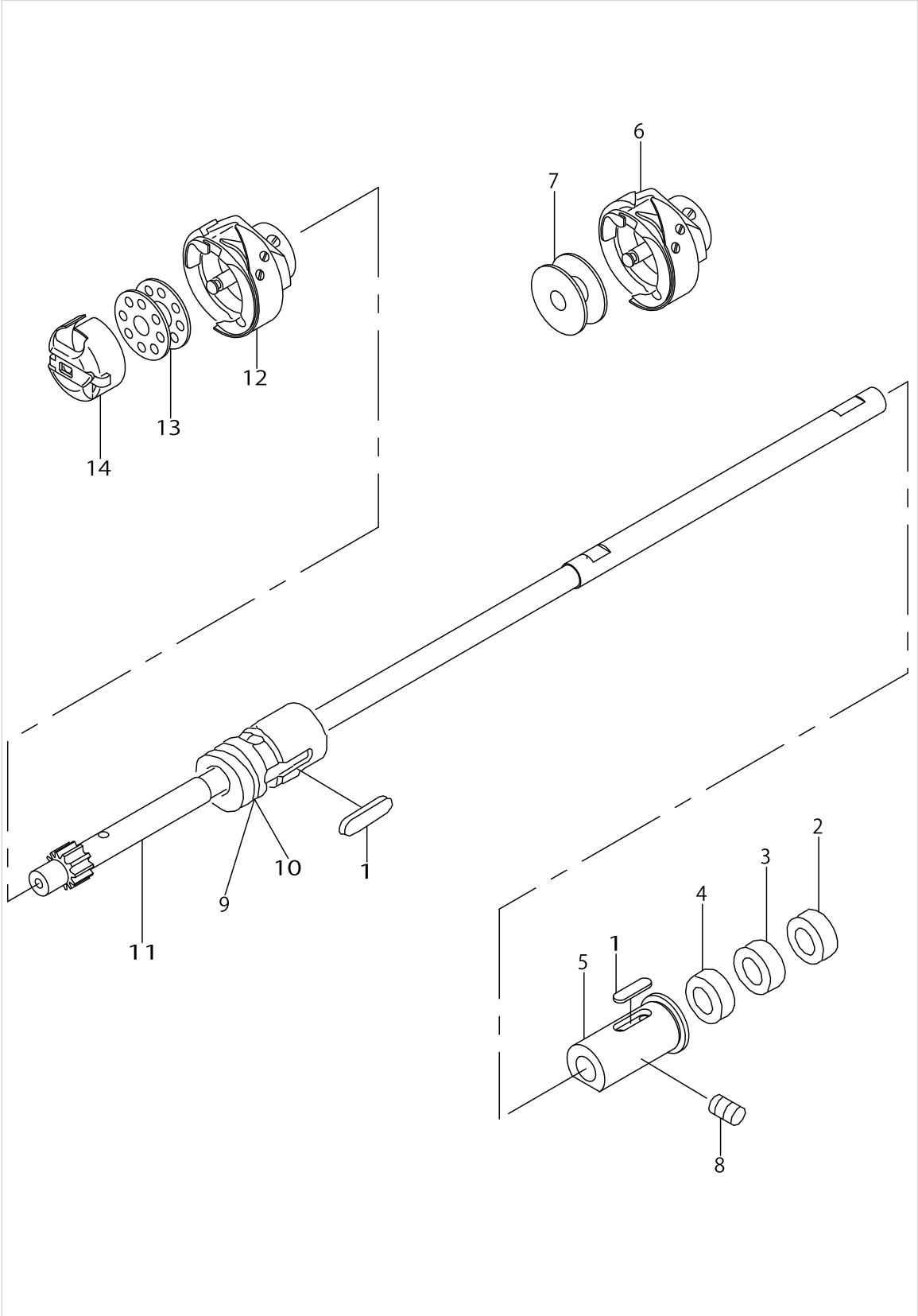


REVERSE FEED MECHANISM COMPONENTS

No.	Parts No.	Parts name	Remarks	Level	Cons	Qty
1	10161305	SOLENOID COVER				1
2	10119006	REVERSE FEED SOLENOID AC31V				1
3	10119204	SOLENOID INSTALLING PLATE				1
4	SS7110710SP	SCREW 11/64-40 L=7				4
5	WP0501016SD	WASHER 5X10.5X1				4
6	D1680141EA0	TOUCH BUCK SWITCH ASM				1
7	MAT81126T00	2-POLE PLUG COVER				1
8	D1686141E00	REVERSE FEED ROD				1
9	D1681141E0A	PLATE				1
10	SS7110710SP	SCREW 11/64-40 L=7				2
11	WP0501016SD	WASHER 5X10.5X1				4
12	SS9111010SP	SCREW 11/64-40 L=9.5				4
13	D1683141E00	CONNECTING ARM				1
14	RE0400000K0	E-RING 4				2
15	D2464555B00	LINK DRIVING MAGNET PIN				1
16	SS7151210SP	SCREW 15/64-28 L=12				2
17	WS0631510KP	SPRING WASHER				2
18	WP0621016SD	WASHER 6.2X13X1				2
19	SS7151210SP	SCREW 15/64-28 L=12				2
20	SS7090710SP	SCREW 9/64-40 L=6.8				1
21	D1682141E00	SUSPENSION HOOK B				1
22	RE0600000K0	E-RING 6				2
23	D1684141E00A	LINK INSTALLING BASE				1
24	10119402	LINK				1
25	D1687141E00	PIN				1
26	NS6150430SP	NUT 15/64-28				1
27	D1685141E00	LEVER SPRING				1
28	10120004	SPRING SUSPENSION				1
29	SS7121410SP	SCREW 3/16-28 L=14				1
30	SS8150510TP	SCREW 15/64-28 L=4.7				1
31	BP300000000	VINYL PIPE				1
32	B2733761000	PIN				1
33	SD0720331SP	HINGE SCREW D=7.24 H=3.3				2
34	B1114280000	PIN				1
35	10119907	CUSHION				1



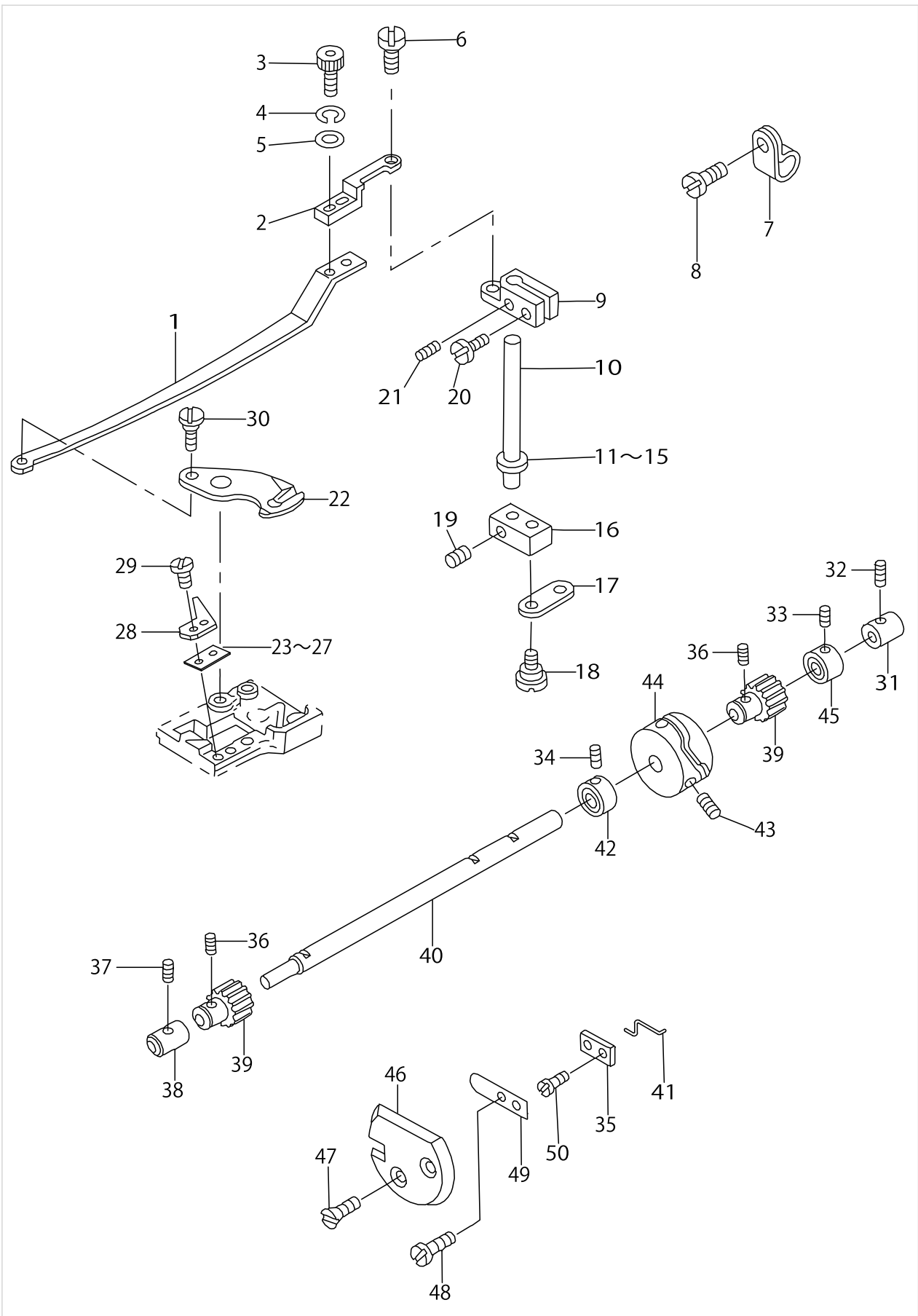
HOOK DRIVING SHAFT COMPONENTS



## HOOK DRIVING SHAFT COMPONENTS

No.	Parts No.	Parts name	Remarks	Level	Cons	Qty
1	B1806038000	OIL FELT				2
2	B183924500C	THRUST PLATE	SELECTIVE PARTS			1
3	B183924500B	THRUST PLATE				1
4	B183924500A	THRUST PLATE	SELECTIVE PARTS			1
5	21208707	BUSHING REAR				1
6	21209952	SEWING HOOK ASM.	OPTIONAL PARTS			1
7	22964001	BOBBIN A	EXCEPT DSU-142			1
8	SS8151550SP	SCREW 15/64-28 L=15				1
9	21136205	BUSHING FRONT				1
10	21136304	BUSHING FRONT	SELECTIVE PARTS			1
11	21208608	SHUTTLE DRIVER SHAFT				1
12	21209051	SEWING HOOK ASM.				1
13	22932909	BOBBIN	FOR DSU-142			1
14	21210059	BOBBIN CASE ASM.				1

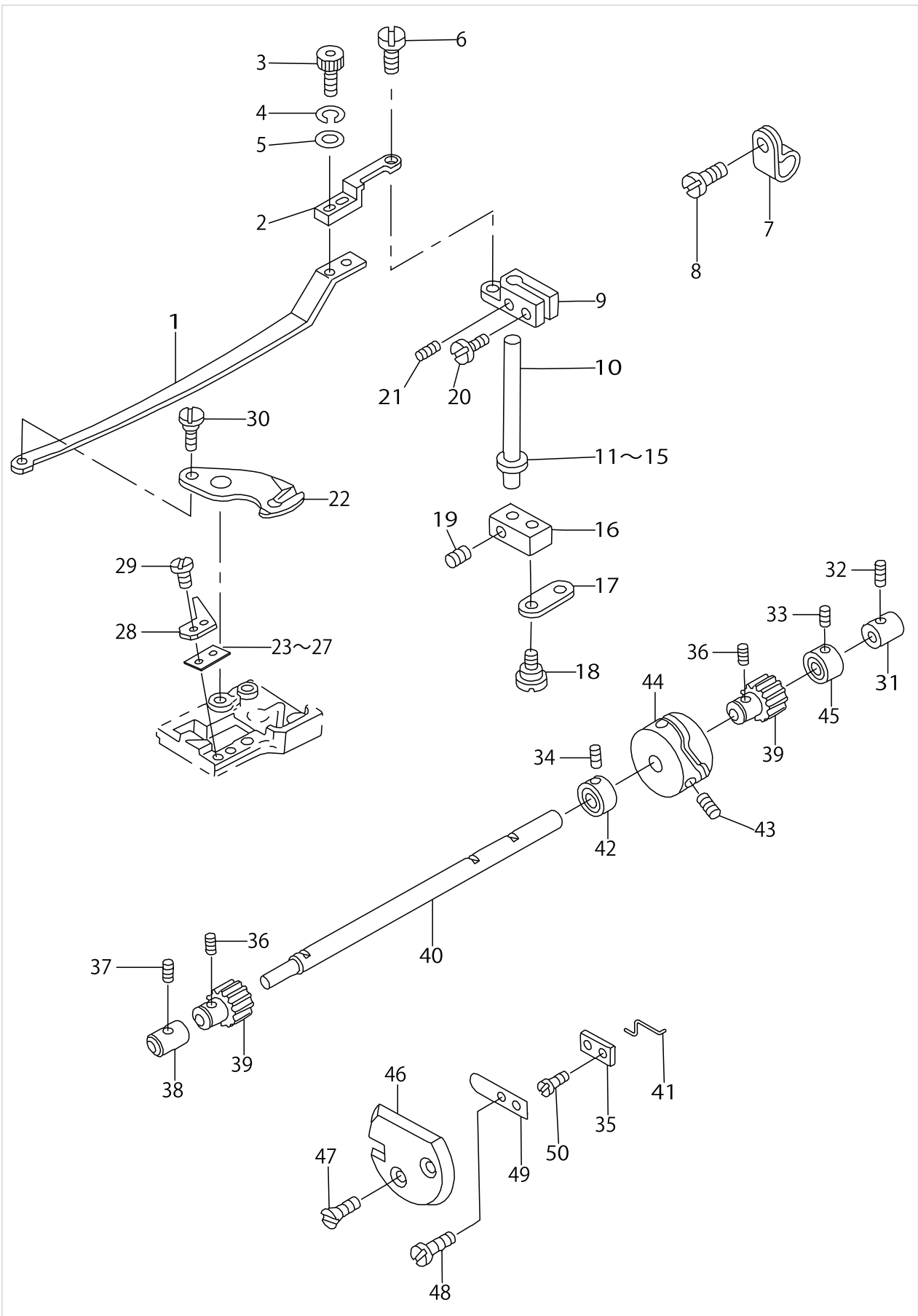
THREAD TRIMMER COMPONENTS (1) (EXCEPT DSU-142)



THREAD TRIMMER COMPONENTS (1) (EXCEPT DSU-142)

No.	Parts No.	Parts name	Remarks	Level	Cons	Qty
1	21213202	KNIFE DRIVING PLATE A				1
2	21212501	KNIFE DRIVING PLATE B				1
3	SS6091022TP	SCREW				2
4	WS0410002KN	SPRING WASHER				2
5	WP0371026SD	WASHER 3.7X7X1				2
6	SD0640321SP	HINGE SCREW D=6.35 H=3.2				1
7	D2120555C00	CORD PRESSER (120V)				1
8	SS7110710SP	SCREW 11/64-40 L=7				1
9	D2419245E00	KNIFE DRIVING LINK B				1
10	D2413245E00	DRIVING SHAFT B				1
11	B185351200AA	HOOK SHAFT WASHER A	SELECTIVE PARTS			1
12	B185351200BA	HOOK SHAFT WASHER B	SELECTIVE PARTS			1
13	B185351200CA	HOOK SHAFT WASHER C				1
14	B185351200D	HOOK SHAFT WASHER	SELECTIVE PARTS			1
15	B185351200E	HOOK SHAFT WASHER	SELECTIVE PARTS			1
16	D2412245E00	KNIFE DRIVING SHAFT ARM A				1
17	D2436141E00	CONNECTING LINK				1
18	D2441141E00	HINGE SCREW				2
19	SS7110540SP	SCREW 11/64-40 L=5				2
20	SS7111410TP	SCREW 11/64-40 L=14				1
21	SS8090410SP	SCREW 9/64-40 L=3.5				1
22	D2401245E00	MOVING KNIFE				1
23	21212600	SUPPORT PLAT	SELECTIVE PARTS			1
24	21212709	SUPPORT PLAT	SELECTIVE PARTS			1
25	21212808	SUPPORT PLAT				1
26	21212907	SUPPORT PLAT	SELECTIVE PARTS			1
27	21213004	SUPPORT PLAT	SELECTIVE PARTS			1
28	D2402245E00	COUNTER KNIFE				1
29	SS7060310SP	SCREW 3/32-56 L=3				2
30	D2433245E00	HINGE SCREW				1
31	21136601	CAM SHAFT BUSHING REAR				1
32	SS8151230SP	SCREW 15/64-28 L=12				1
33	SS8660410SP	SCREW 1/4-40 L=4.2				2
34	D2434245E00	SCREW				2
35	D2425245E00	PICKER HOLDER PLATE				1
36	SS8660530TP	SCREW 1/4-40 L=4.5				4
37	SS8151230SP	SCREW 15/64-28 L=12				1
38	D2406245E0A	HOOK SHAFT BUSHING FRONT				1
39	D2405245E00	CAM SHAFT GEAR				2
40	21136502	CAM SHAFT				1
41	21213301	PICKER				1
42	D2432245E00	THRUST COLLER				1
43	SS8660612TP	SCREW 1/4-40 L=6				2
44	D2403245E00	THREAD TRIMMER CAM				1
45	D1841141E00	THRUST COLLAR				1
46	21213509	PICKER COVER				1
47	D2436245E00	SCREW				2

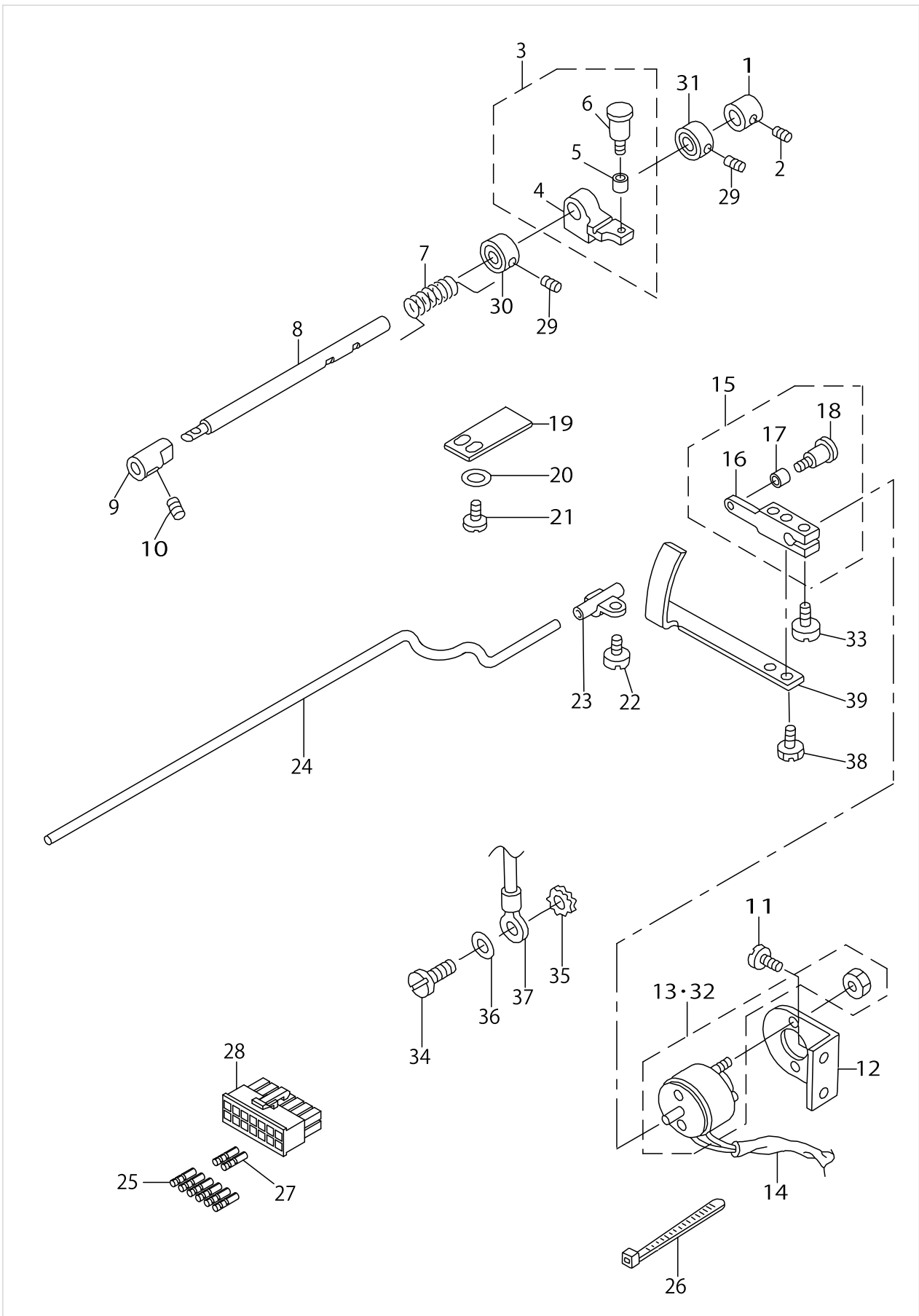
THREAD TRIMMER COMPONENTS (1) (EXCEPT DSU-142)



THREAD TRIMMER COMPONENTS (1) (EXCEPT DSU-142)

No.	Parts No.	Parts name	Remarks	Level	Cons	Qty
48	SS5060310SP	SCREW 3/32-56 L=2.8				2
49	D2426245E00	SPRING				1
50	D2435245E00	SCREW				2

THREAD TRIMMER COMPONENTS (2) (EXCEPT DSU-142)

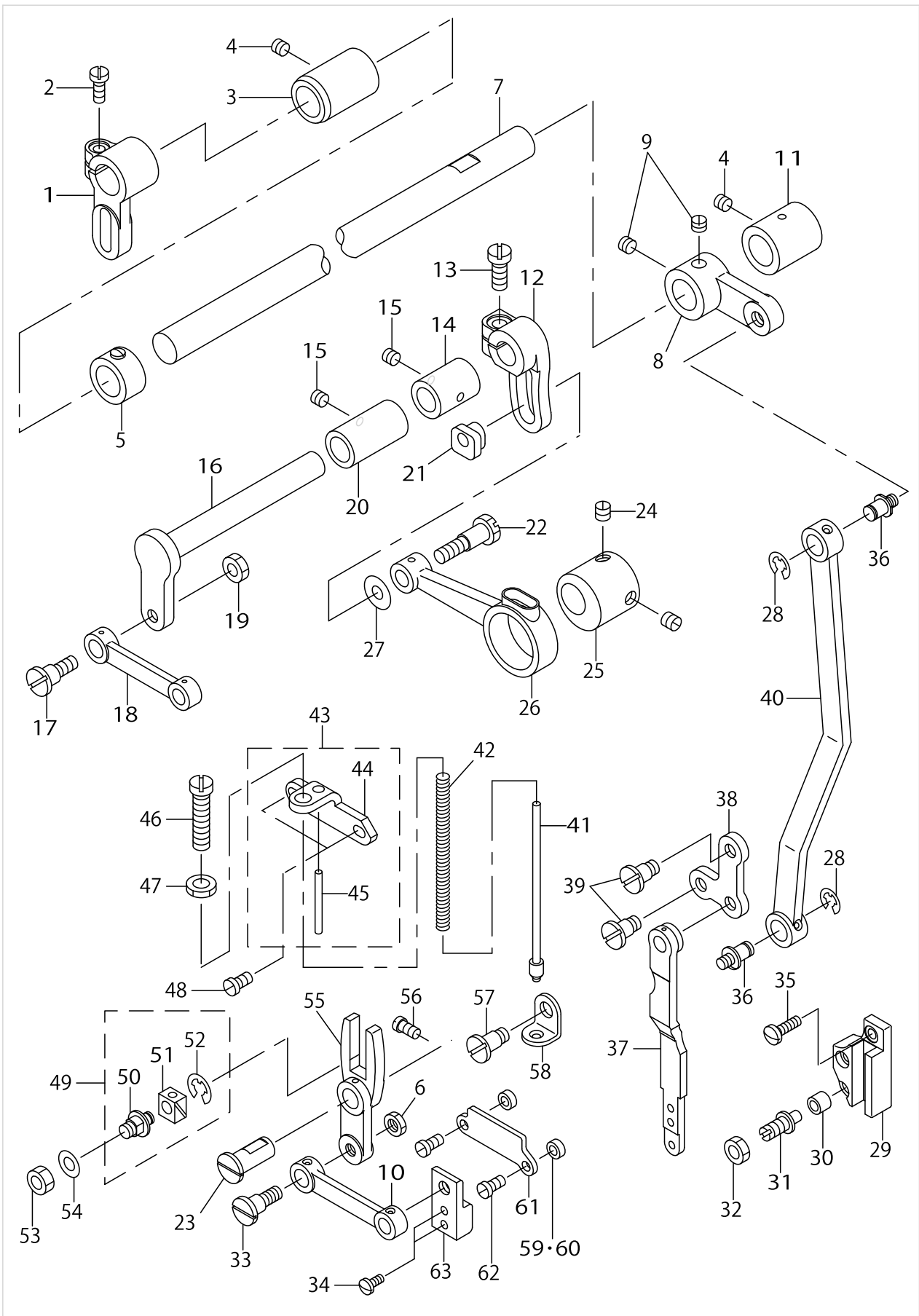


THREAD TRIMMER COMPONENTS (2) (EXCEPT DSU-142)

No.	Parts No.	Parts name	Remarks	Level	Cons	Qty
1	D2411245E00	BUSHING REAR				1
2	SS8151230SP	SCREW 15/64-28 L=12				1
3	D2417245EA0	CAM ROLLER ARM ASM.				1
4	D2417245E00	CAM ROLLER ARM		*		1
5	B3031141H00	CONNECTING STUD		*		1
6	D2423245E00	CAM ROLLER ARM		*		1
7	D2416245E00	SPRING				1
8	D2409245E00	DRIVING SHAFT A				1
9	D2410245E00	BUSHING FRONT				1
10	SS8151230SP	SCREW 15/64-28 L=12				1
11	SS7110910SP	SCREW 11/64-40 L=8.5				2
12	D2418245E00	SOLENOID BASE				1
13	D2414245E00	SOLENOID	FOR DSU-142-4,-7(SC-1)			1
14	D2428141E00	CORD TUBE 5X0.4				1
15	D2415245EA0	SOLENOID ARM ASM.				1
16	D2415245E00	SOLENOID ARM		*		1
17	B3031141H00	CONNECTING STUD		*		1
18	D2423245E00	CAM ROLLER ARM		*		1
19	D2421245E00	CAM ROLLER ARM HOLDER				1
20	WP0371016SD	WASHER 3.7X8X1				2
21	SS6090810SP	SCREW 9/64-40 L=7.5				2
22	SS7110710SP	SCREW 11/64-40 L=7				1
23	D2430245EA0	PICKER DRIVING BAR HOLDER ASM.				1
24	21213400	PICKER DRIVING SHAFT				1
25	HK03464000B	PIN CONTACT	FOR DSU-142-0B			6
26	GES12153000	OIL WICK HOLDER				2
27	HK03464000B	PIN CONTACT	FOR DSU-142-00			2
28	HK034610140	HOUSING 14P	FOR DSU-142-7			1
29	D2434245E00	SCREW				6
30	D2432245E0A	THRUST COLLAR A				2
31	D2432245E00	THRUST COLLER				1
32	D2414245E0A	SOLENOID	FOR DSU-142-7(SC-380)			1
33	SS7110910SP	SCREW 11/64-40 L=8.5				1
34	SS7110710SP	SCREW 11/64-40 L=7				1
35	WT0530002KS	TOOTHED WASHER D=5.3				1
36	WP0501016SD	WASHER 5X10.5X1				1
37	D6037245GA0	GROUND WIRE ASM.	FOR DSU-142-7(SC-1)			1
38	SS6090510SP	SCREW 9/64-40 L=5				2
39	D2428245E00	PICKER DRIVING PLATE				1



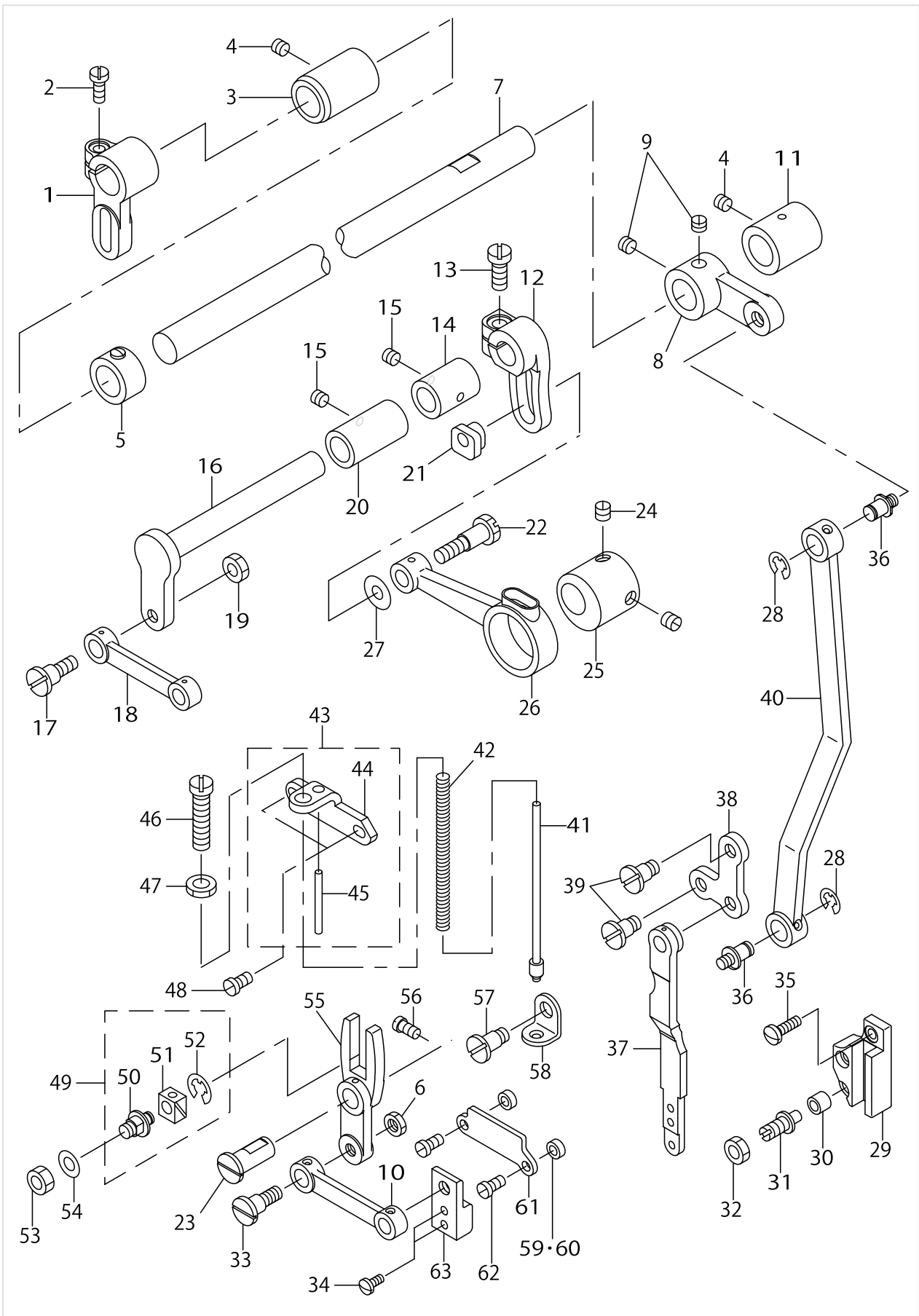
UPPER FEED MECHANISM COMPONENTS



UPPER FEED MECHANISM COMPONENTS

No.	Parts No.	Parts name	Remarks	Level	Cons	Qty
1	B3025141H00A	CONNECTING ARM				1
2	SS6121210SP	SCREW 3/16-28 L=12				1
3	10106102	BUSHING				1
4	SS8150750SP	SCREW 15/64-28 L=7				2
5	22904155	MAIN SHAFT THRUST COLLAR ASM.				1
6	NS6150310SP	NUT 15/64-28				1
7	B3026141H00	UPPER FEED DRIVING SHAFT				1
8	B3029145000	CRANK				1
9	SS8660530TP	SCREW 1/4-40 L=4.5				2
10	B3005141H00	CONNECTING LINK				1
11	B3028141H00	BUSHING REAR				1
12	B3007141H00	UPPER FEED SPRING ROD				1
13	SS6151440SP	SCREW 15/64-28 L=14				1
14	B3011141H00	BUSHING				1
15	SS8150710SP	SCREW 15/64-28 L=7				2
16	B3003141H00A	UPPER FEED DRIVING SHAFT				1
17	SD0850751SP	HINGE SCREW D=8.50 H=7.5				1
18	B3005141H00	CONNECTING LINK				1
19	NS6150310SP	NUT 15/64-28				1
20	B3011141H0A	BUSHING FRONT				1
21	B3009141H0A	NUT				1
22	B3008141H00	HINGE SCREW				1
23	21272802	FEED CONNECTING LINK SHAFT				1
24	SS8660610TP	SCREW 1/4-40 L=6				2
25	B3001141H00	FEED DRIVE ECCENTRIC CAM				1
26	B3002141H00	CRANK CONNECTING ROD				1
27	B3010141H00	WASHER				1
28	RE0700000K0	E-RING 7				2
29	B3020141H00	SLIDE BLOCK GUIDE				1
30	B3031141H00	CONNECTING STUD				1
31	B3032141H00	CONNECTING STUD SHAFT				1
32	NS6660430SP	NUT 1/4-40				1
33	SD0850751SP	HINGE SCREW D=8.50 H=7.5				1
34	SS7091110SP	SCREW 9/64-40 L=10.5				2
35	SS7111410TP	SCREW 11/64-40 L=14				3
36	B1424158000	HINGE SCREW				2
37	B3014141H00B	L-SHAPED ROD				1
38	B3006141H00	L-SHAPED LINK				1
39	B3015141H00	HINGE SCREW				3
40	B3030145000	NEEDLE BAR FRAME ROD				1
41	B3034141H00	SPRING POLE				1
42	B3033141H00	SPRING				1
43	B3037141HA0	SPRING BASE ASM.				1
44	B3037141H00	SPRING BAR		*		1
45	PS0300201KP	SPRING PIN 3.0X20		*		1
46	B3036141H00	ADJUSTING THUMB SCREW				1
47	NS6680320SP	NUT 9/32-28				1

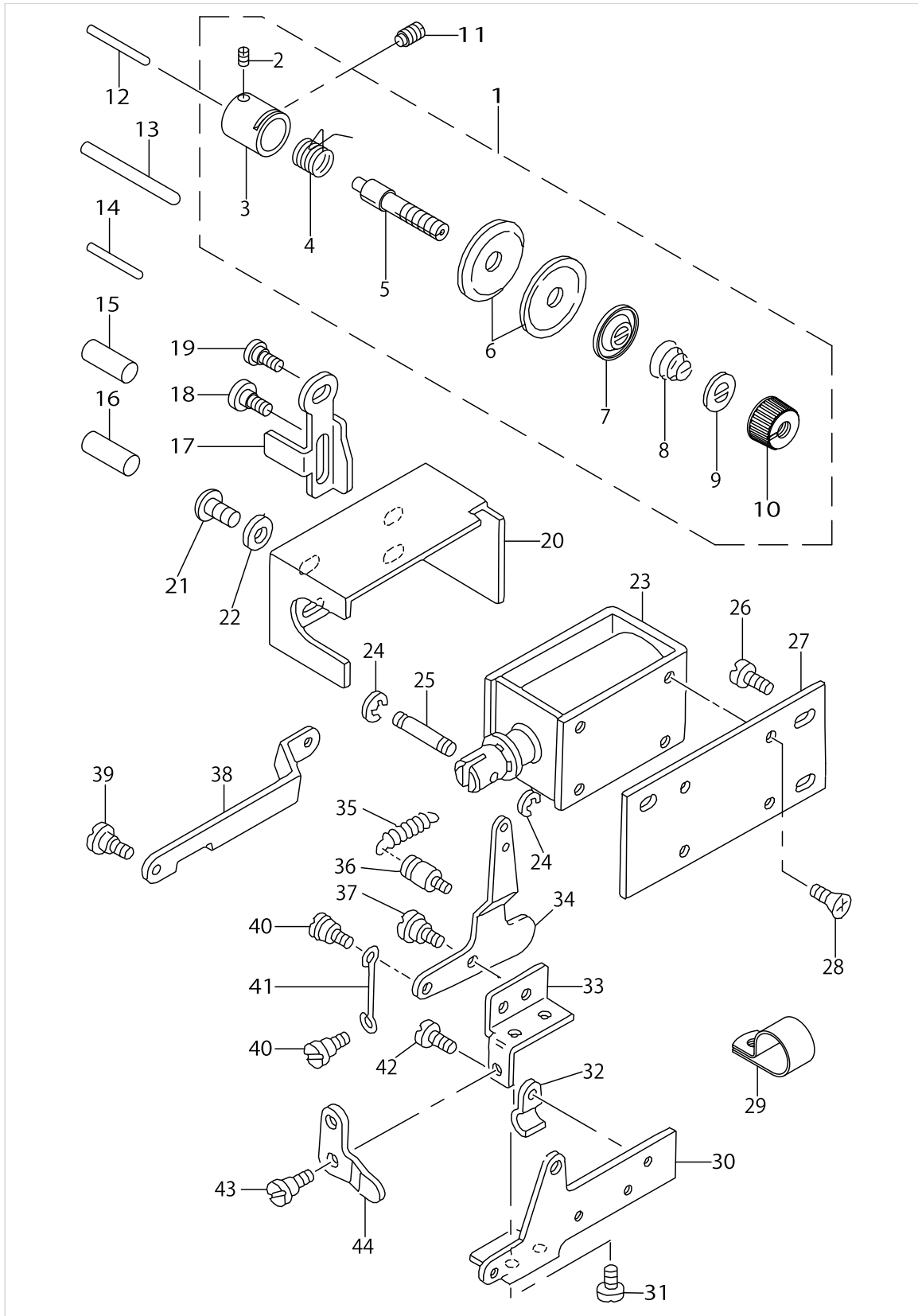
UPPER FEED MECHANISM COMPONENTS



UPPER FEED MECHANISM COMPONENTS

No.	Parts No.	Parts name	Remarks	Level	Cons	Qty
48	SS7111120SP	SCREW 11/64-40 L=10.5				2
49	B3023141HA0A	SLIDE BLOCK ASM.				1
50	B3023141H00A	SLIDE BLOCK PIN		*		1
51	B3024141H00	SLIDE BLOCK		*		1
52	RE0400000K0	E-RING 4		*		1
53	NS6160520SP	NUT 1/4-24				1
54	WP0650876SD	WASHER 6.5X13X0.8				1
55	B3038141H00	SLIDE FORK				1
56	SS7120910TP	SCREW 3/16-28 L=9				1
57	B3016141H00	HINGE SCREW B				1
58	B3035141H00	RETAINING PLATE				1
59	B3013141H0A	WASHER				2
60	B3013141H0B	WASHER	SELECTIVE PARTS			2
61	B3012141H00A	WALKING BAR DRIVING LINK				1
62	SS7110910SP	SCREW 11/64-40 L=8.5				2
63	B3017141H00B	CONNECTING LINK HOLDER				1

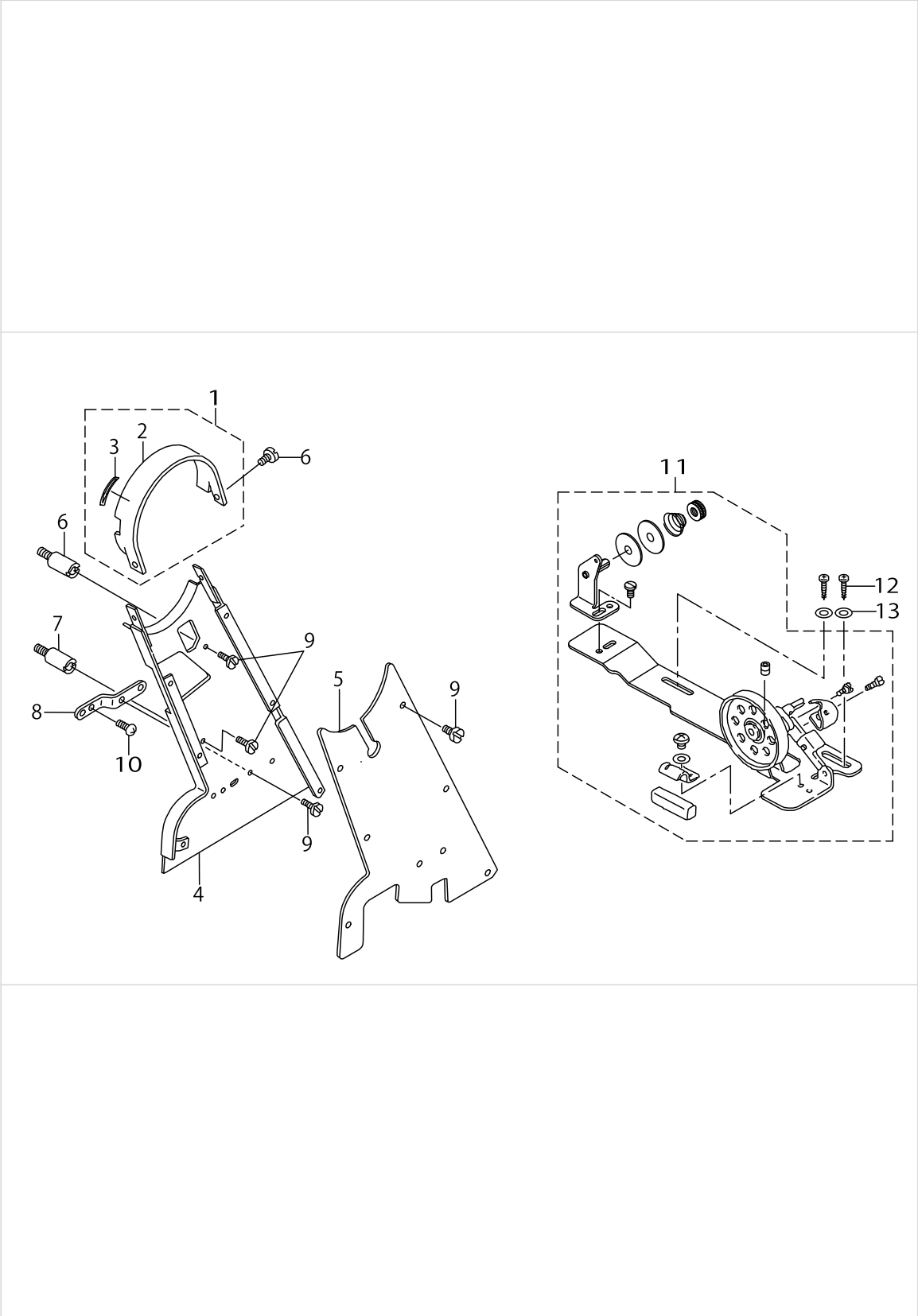
# THREAD TENSION COMPONENTS



THREAD TENSION COMPONENTS

No.	Parts No.	Parts name	Remarks	Level	Cons	Qty
1	11073657	THREAD TENSION ASM.				1
2	SS8090670SP	SCREW 9/64-40 L=5.5		*		1
3	B3111126000	TENSION POST SOCKET		*		1
4	B3128012000	TAKE-UP SPRING		*		1
5	B3115552000	TENSION POST		*		1
6	B3126012000	THREAD TENSION DISK		*		2
7	B3132552000	THREAD TENSION DISK PRESSER		*		1
8	B3114232000	THREAD TENSION SPRING		*		1
9	B3120125000	ROTATING STOPPER		*		1
10	11072204	TENSION NUT		*		1
11	SS8150710SP	SCREW 15/64-28 L=7				1
12	B3118552F00	TENSION RELEASING PIN				1
13	B3127127000	THREAD RELEASE AUXILIARY PIN	FOR DSU-142			1
14	26028001	STOP MOTION LEVER SPRING PIN	EXCEPT DSU-142			2
15	D3142141E00	PIN B	EXCEPT DSU-142			1
16	D3142141E0A	PIN B	SELECTIVE PARTS EXCEPT DSU-142			1
17	B3134141H00	TENSION RELEASE PLATE				1
18	SD0600321SP	HINGE SCREW D=6 H=3.2				1
19	SD0600271SP	HINGE SCREW D=6 H=2.7				1
20	D3157141E0A	SOLENOID COVER	EXCEPT DSU-142			1
21	SM4030601SC	SCREW M3 X 6	EXCEPT DSU-142			4
22	WP0320501SC	WASHER M3	EXCEPT DSU-142			4
23	D3153141E00	TENSION RELEASE SOLENOID	EXCEPT DSU-142			1
24	RE0250000K0	E-RING 2.5	EXCEPT DSU-142			2
25	D3156141E00	SOLENOID PIN	EXCEPT DSU-142			1
26	SS7110910SP	SCREW 11/64-40 L=8.5	EXCEPT DSU-142			3
27	D3154141E00	SOLENOID INSTALLING PLATE	EXCEPT DSU-142			1
28	SM1030601SA	SCREW M3 L=6	EXCEPT DSU-142			4
29	EA9502B0500	CABLE CLIP	EXCEPT DSU-142			1
30	D3160141E00	TENSION RELEASE PLATE	EXCEPT DSU-142			1
31	SS7120640SP	SCREW 3/16-28 L=6	EXCEPT DSU-142			2
32	B3538112000	OIL RETURN TUBE HOLDER	EXCEPT DSU-142			1
33	D3151141E00	TENSION RELEASE BRACKET	EXCEPT DSU-142			1
34	D3152141E00	TENSION RELEASE LINK B	EXCEPT DSU-142			1
35	D3149141E00	SPRING	EXCEPT DSU-142			1
36	10120004	SPRING SUSPENSION	EXCEPT DSU-142			1
37	SD0630301SP	HINGE SCREW D=6.35 H=3	EXCEPT DSU-142			1
38	D3155141E00	SOLENOID ROD	EXCEPT DSU-142			1
39	SD0550271TP	HINGE SCREW D=5.50 H=2.7	EXCEPT DSU-142			1
40	SD0550271TP	HINGE SCREW D=5.50 H=2.7	EXCEPT DSU-142			2
41	D3159141E00	CONNECTING BAR	EXCEPT DSU-142			1
42	SS7110710SP	SCREW 11/64-40 L=7	EXCEPT DSU-142			3
43	SD0640321SP	HINGE SCREW D=6.35 H=3.2	EXCEPT DSU-142			1
44	D3158141E00	TENSION RELEASE LINK A	EXCEPT DSU-142			1

BELT COVER & BOBBIN WINDER COMPONENTS

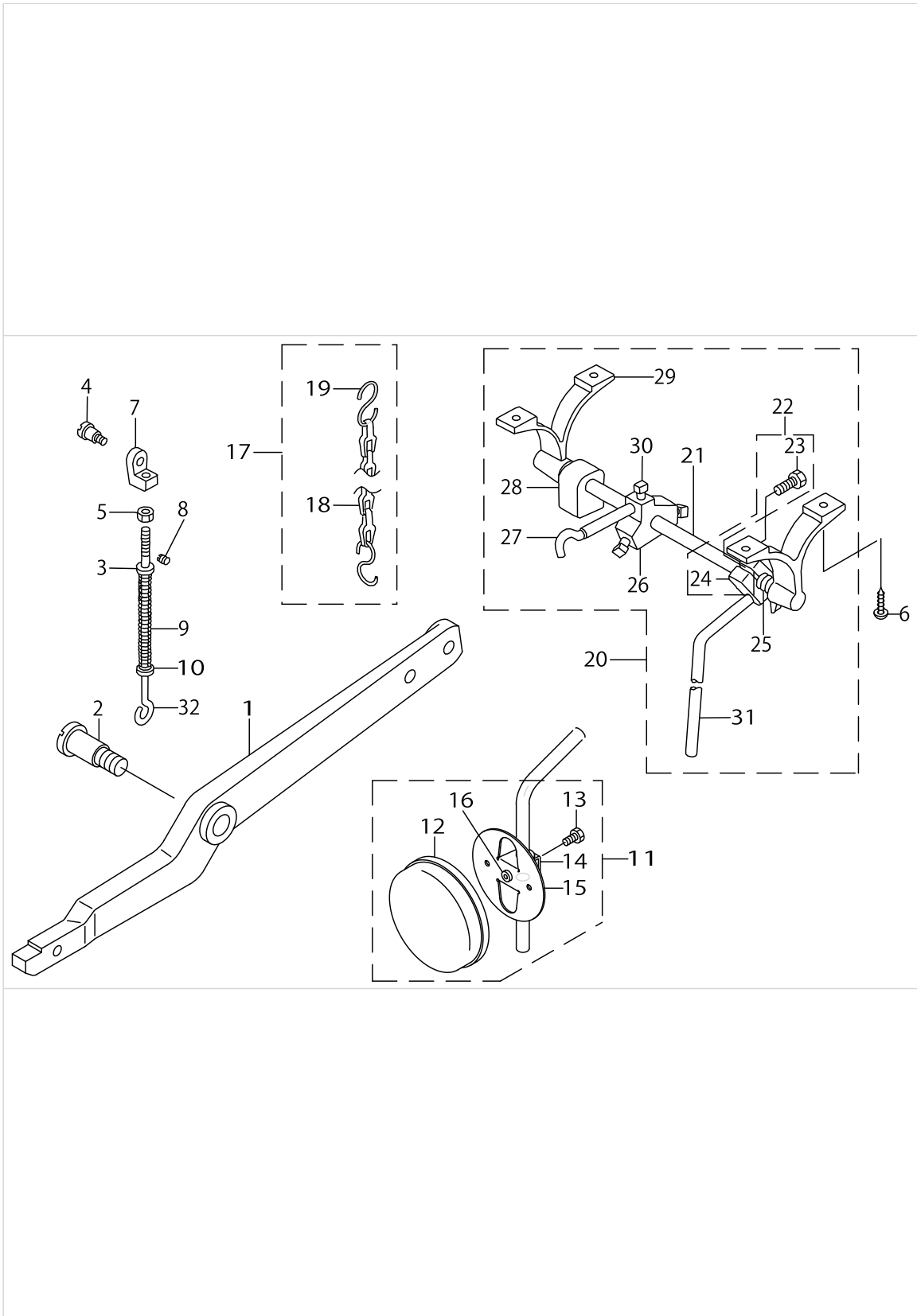


BELT COVER & BOBBIN WINDER COMPONENTS

No.	Parts No.	Parts name	Remarks	Level	Cons	Qty
1	B91011450AA	TOP COVER (WITH LABEL)				1
2	B910114500A	TOP COVER		*		1
3	CM500300001	DIRECTION LABEL		*		1
4	B91021450AA	TOP COVER ASM.				1
5	21286901	TOP COVER PLATE				1
6	B9106145000	BELT COVER SUPPORT STUD A				1
7	B9107145000	BELT COVER SUPPORT STUD B				1
8	B9108145000	BELT COVER SUPPORT PLATE				1
9	SS6110480SP	SCREW 11/64-40 L=4.3				12
10	SS7151210SP	SCREW 15/64-28 L=12				2
11	22927354	BOBBIN WINDER COMPL.				1
12	SK3482500SC	WOOD SCREW D=4.8 L=25				2
13	WP0501016SC	WASHER 5X10.5X1				2



KNEE LIFTER COMPONENTS



KNEE LIFTER COMPONENTS

No.	Parts No.	Parts name	Remarks	Level	Cons	Qty
1	D3410141E0AA	KNEE LIFTER				1
2	SD0991551SP	HINGE SCREW D=9.9 H=15.5				1
3	CS0510713SD	SPRING REST				1
4	SD0790351SP	HINGE SCREW D=7.9 H=3.5				1
5	NS6620310SP	NUT 3/16-32				1
6	SK1483201SE	WOOD SCREW D=4.8 L=32				4
7	B3416141H00A	SWIVEL				1
8	SS7110540SP	SCREW 11/64-40 L=5				1
9	B3414245000	SPRING				1
10	WP0621016SD	WASHER 6.2X13X1				1
11	B34262450A0	KNEE PRESS PLATE ASM.				1
12	22934509	KNEE PAD PLATE COVER		*		1
13	SM9061203SE	SCREW M6 L=12		*		1
14	22934301	KNEE PAD PLATE SUPPORT		*		1
15	22934202	KNEE PAD PLATE		*		1
16	22934400	KNEE PAD PLATE RUBBER		*		1
17	B34212450A0	CHAIN ASM.				1
18	B3421245000	CHAIN		*		1
19	13160304	S SHAPED HOOK		*		2
20	B34202450A0	KNEE LIFTER ASM.				1
21	B3420245000	MAIN SHAFT		*		1
22	22932453	BRACKET ASM.		*		1
23	22934707	SCREW		*		2
24	22932404	BRACKET		*		1
25	B3425245000A	SPRING		*		1
26	B3424141H00	MOUNTING BRACKET		*		1
27	B3424245000	KNEE LIFTER PLATE ARM		*		1
28	B3434141H00	BRACKET		*		1
29	B3423245000	KNEE PRESS ROD HOLDER		*		2
30	B3425141H00	MOUNTING BRACKET SET SCREW		*		3
31	B3422245000	KNEE LIFTER PLATE ROD		*		1
32	B3415145000	LIFTING LEVER CONNECTING ROD				1

TABLE COMPONENTS

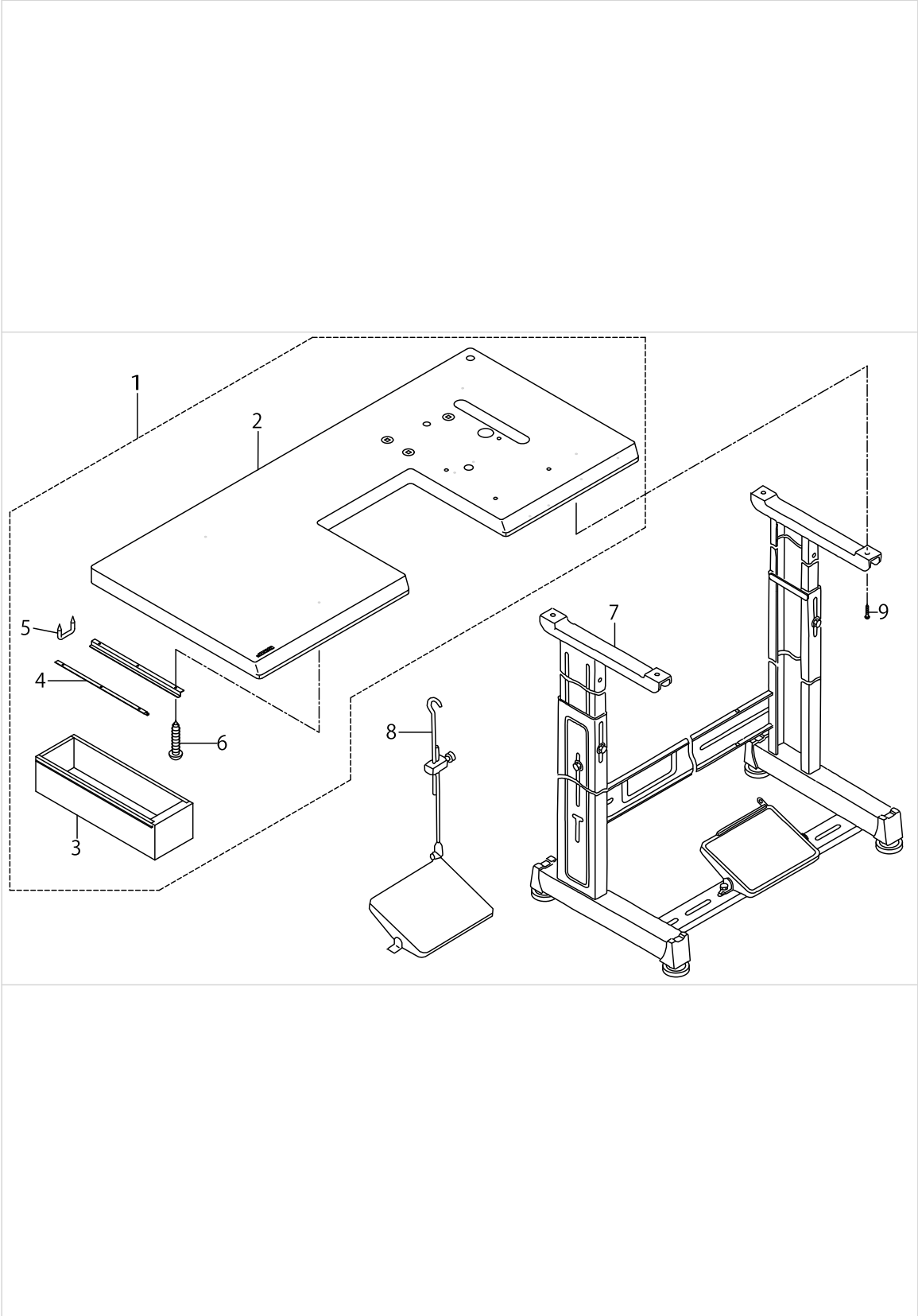
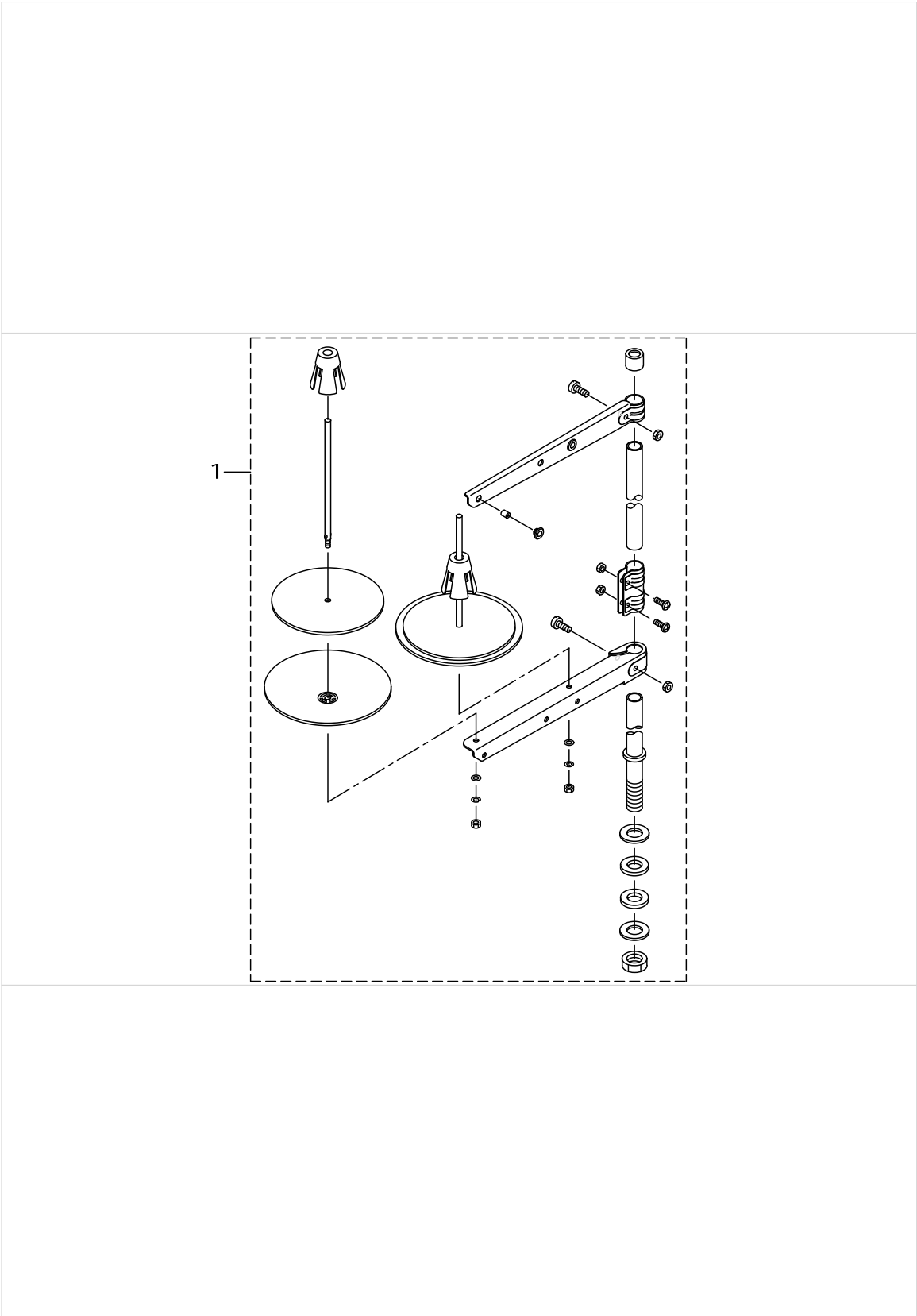


TABLE COMPONENTS

No.	Parts No.	Parts name	Remarks	Level	Cons	Qty
1	21218656	TABLE ASM.				1
2	21218607	TABLE		*		1
3	11155108	DRAWER		*		1
4	11155207	DRAWER SUPPORT		*		2
5	D8204555D00	DRAWER STOPPER		*		1
6	SK3311600SE	WOOD SCREW D=3.1 L=16		*		6
7	11157567	T LEG JUNCTION				1
8	B71140120A0	MOTOR CONNECTING ROD ASM.	FOR DSU-142			1
9	SK3513200SC	WOOD SCREW D=5.1 L=32				4

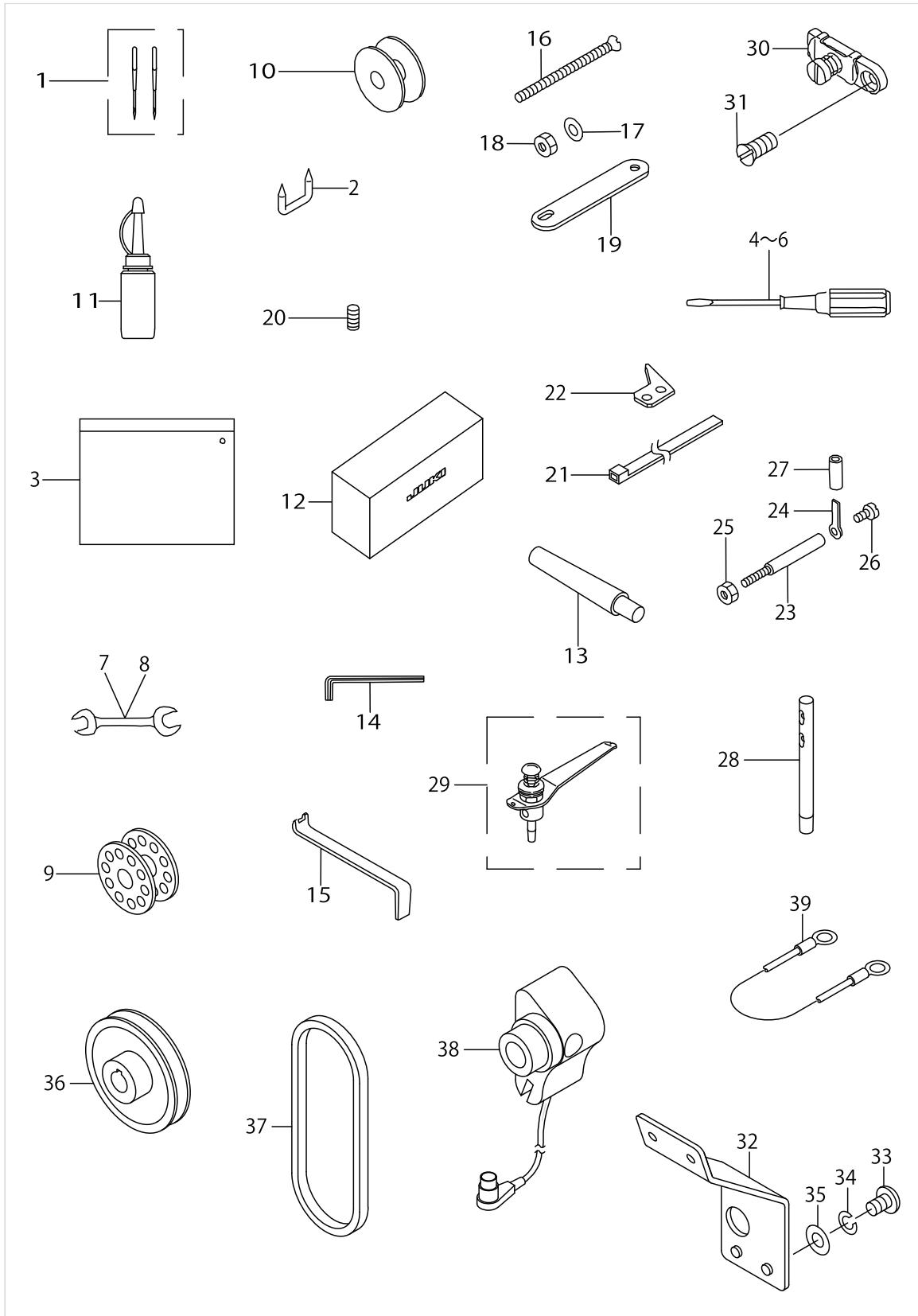
THREAD STAND COMPONENTS



THREAD STAND COMPONENTS

No.	Parts No.	Parts name	Remarks	Level	Cons	Qty
1	40096354	THREAD STAND ASM.				1

ACCESSORIES PARTS COMPONENTS

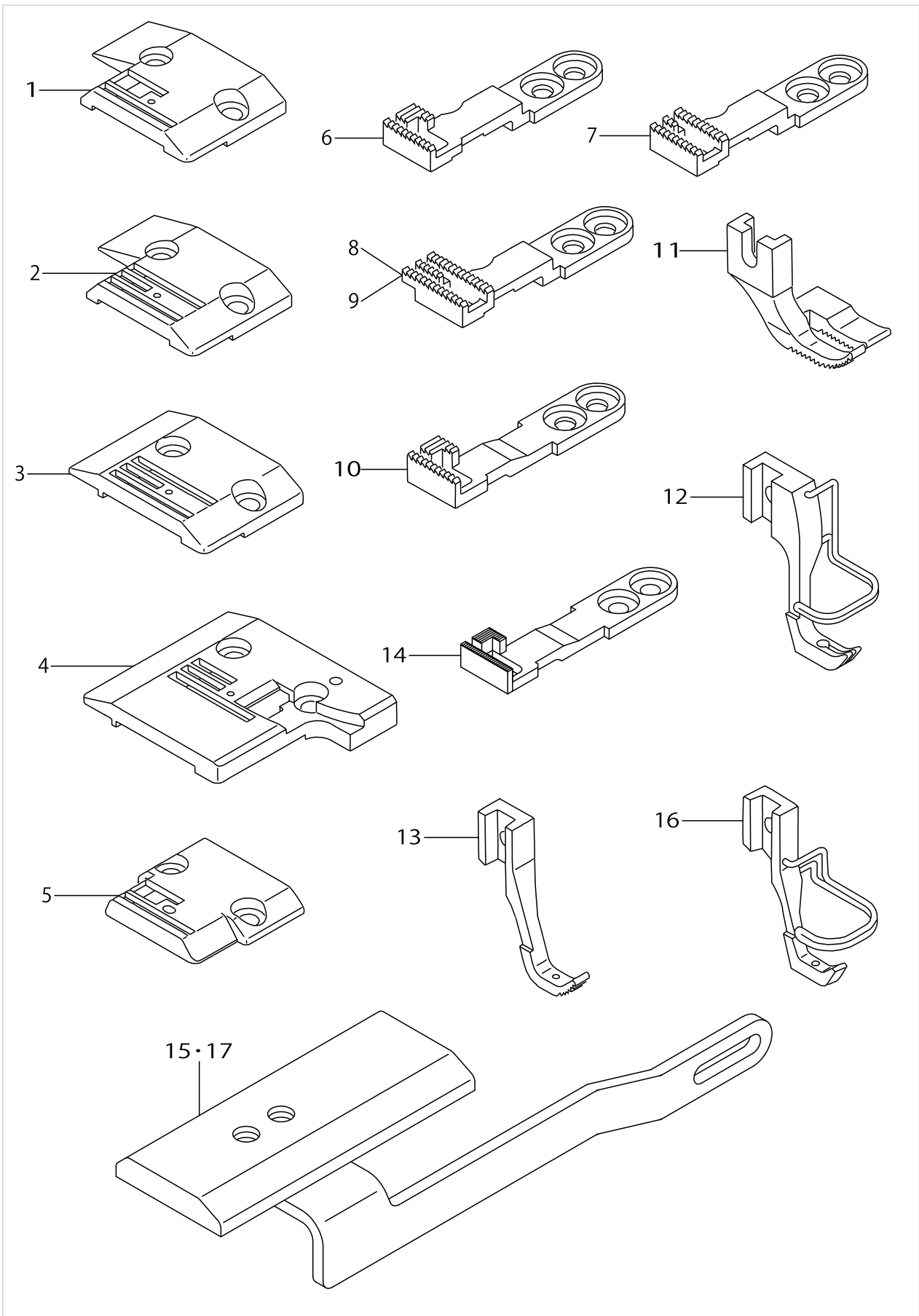


ACCESSORIES PARTS COMPONENTS

No.	Parts No.	Parts name	Remarks	Level	Cons	Qty
1	M13517B1102	NEEDLE 135X17 #110-2				1
2	MAO11532000	CORD STAPLE	FOR DSU-142-4			2
3	B9101552000	ACCESSORY BOX				1
4	22933006	SCREW DRIVER LARGE				1
5	22933105	SCREW DRIVER MIDDLE				1
6	22933204	SCREW DRIVER SMALL				1
7	B9112012000	WRENCH (11X14)				1
8	B9113012000	WRENCH (9X10)				1
9	22932909	BOBBIN	FOR DSU-142			3
10	22964001	BOBBIN A	EXCEPT DSU-142			3
11	B91212200A0	OILER (CONTAINING NO.2 OIL)				1
12	22933303	VINYL COVER				1
13	B820424500A	FRAME SUPPORT BAR				1
14	J106600000F	HEXAGONAL WRENCH KEY				1
15	B9111245000	WRENCH				1
16	B9130245000	BOLT				4
17	WP0751576SD	WASHER 7.5X19X1.5				4
18	NM6060001SD	NUT M6				4
19	21137104	GASKET				2
20	B163224500G	PIN				1
21	GES12153000	OIL WICK HOLDER	EXCEPT DSU-142			1
22	D2402245E00	COUNTER KNIFE	EXCEPT DSU-142			1
23	D7101245E00	SYNCHRONIZER HOLDER STUD				1
24	D7102245E00	SYNCHRONIZER HOLDER PLATE				1
25	NS6150430SP	NUT 15/64-28				1
26	SS7110710SP	SCREW 11/64-40 L=7				1
27	BT0630520Z0	HOLDER COVER				1
28	22958300	NEEDLE THREAD GUIDE PIN	FOR DSU-142			1
29	10549657	THREADED GUIDE ASM.	EXCEPT DSU-142			1
30	D1129141EA0	ARM THREAD GUIDE BOTTOM ASM.	EXCEPT DSU-142			1
31	SS2090710TP	SCREW 9/64-40 L=7.2	EXCEPT DSU-142			1
32	40052256	PANEL THREAD GUIDE				1
33	SM4040601SC	SCREW M4X0.7 L=6				1
34	WP0430800SC	WASHER M4				1
35	WS0410002KN	SPRING WASHER				1
36	MTSP00750B0	MOTOR PULLEY ASM. P.C.D 75	FOR DSU-142-7			1
37	MTJVM00520A	V BELT	FOR DSU-142-7			1
38	40026920	SYNCHRONIZER ASM	FOR DSU-142-7			1
39	10741759	GROUND WIRE ASM.	FOR DSU-142-4,-7,JUS (FOR HEAD ONLY)			1



GAUGE COMPONENTS



GAUGE COMPONENTS

No.	Parts No.	Parts name	Remarks	Level	Cons	Qty
1	21203104	THRORT PLATE	OPTIONAL PARTS EXCEPT DSU-142			1
2	21203203	THRORT PLATE	OPTIONAL PARTS EXCEPT DSU-142			1
3	21203500	THRORT PLATE	OPTIONAL PARTS EXCEPT DSU-142			1
4	21203609	THRORT PLATE	OPTIONAL PARTS EXCEPT DSU-142			1
5	21202601	THRORT PLATE	OPTIONAL PARTS FOR DSU-142			1
6	21207105	FEED DOG	OPTIONAL PARTS EXCEPT DSU-142			1
7	21207204	FEED DOG	OPTIONAL PARTS EXCEPT DSU-142			1
8	21207501	FEED DOG	OPTIONAL PARTS EXCEPT DSU-142			1
9	21207600	FEED DOG	OPTIONAL PARTS EXCEPT DSU-142			1
10	21206602	FEED DOG	OPTIONAL PARTS FOR DSU-142			1
11	B152614500A	PRESSURE FOOT	OPTIONAL PARTS			1
12	D1525141EAA	PRESSER FOOT ASM.	OPTIONAL PARTS EXCEPT DSU-142			1
13	B152514500A	PRESSURE FOOT	OPTIONAL PARTS			1
14	21206701	FEED DOG VERY FINE	OPTIONAL PARTS FOR DSU-142			1
15	21214358	AUXILIARY THROAT PLATE ASM.	OPTIONAL PARTS EXCEPT DSU-142			1
16	B1526141HA0	PRESSER FOOT ASM.	OPTIONAL PARTS FOR DSU-142			1
17	21214655	AUXILIARY THROAT PLATE ASM.	OPTIONAL PARTS EXCEPT DSU-142			1

LIST FOR INFORMATION OF CHANGE (1)

As to the place changed, refer to the corresponding Rev.No.  
 When previous parts(Obsoleted part)and new parts(Added parts)are  
 not interchangeable with each other:  
 In this case,even obsoleted parts(D.)can be ordered with the  
 obsoleted part number,so select the parts with changed dates and  
 place your orders.

変更箇所は、該当Rev.No.版をご参照ください。  
 部品の互換性がない変更の場合は、削除された品番でも、ご注文できます。

29027307  
 No.0613-03} Rev.No.

\*A:Added parts追加部品/D:Obsoleted parts削除部品/E:Erratum訂正

* Rev. No.	Page 頁	Ref. No.	Parts No. 品番	* Rev. No.	Page 頁	Ref. No.	Parts No. 品番
D 02	2	9	B1150-141-H0A-A	A 03	2	9	400-32259
D 02	2	54	SM-6082002-SP	A 03	2	54	SM-6082002-TP
D 02	2	57	CM-3002001-A1				
D 02	2	58	CM-3002001-01	A 03	2	58	CM-3013000-01
D 02	2	59	CM-3002000-B1	A 03	2	59	CM-3002000-01
D 02	2	60	CM-3002000-B1	A 03	2	60	CM-3002000-01
D 02	2	61	100-04109	A 03	2	57	229-01805
D 02	4	11	B1202-141-H00	A 03	4	11	B1202-141-H0A
D 02	4	23	SS-8150710-SP	A 03	4	23	SS-8150710-TP
D 02	4	31	B1308-145-000	A 03	4	31	B1308-012-000
				A 03	4	37	B1203-051-000
				A 03	4	38	TA-0550604-R0
D 02	6	3	MDP-170B1800	A 03	6	3	M1351-7B1-100
D 02	6	9	B1405-012-000	A 03	6	9	229-01409
D 02	6	30	110-71701	A 03	6	30	229-07604
D 02	10	30	SS-8150710-TP	A 03	10	30	SS-8150510-TP
D 02	12	7	B9117-552-A00	A 03	12	7	229-64001
D 02	12	13	B9117-012-000	A 03	12	13	229-32909
D 02	20	14	B2608-372-000	A 03	20	14	260-28001
D 02	20	21	SM-5030655-SP	A 03	20	21	SM-4030601-SC
D 02	21	11	110-77567	A 03	21	11	229-27354
D 02	21	14	229-30358				
D 02	22	6	SK-1483200-SE	A 03	22	6	SK-1483201-SE
D 02	22	11	167-75850	A 03	22	11	B3426-245-OA0
D 02	22	12	B3431-552-000-A	A 03	22	12	229-34509
D 02	22	13	SS-9151540-SR	A 03	22	13	SM-9061203-SE
D 02	22	14	110-23801	A 03	22	14	229-34301
D 02	22	15	110-23702	A 03	22	15	229-34202
D 02	22	16	110-24403	A 03	22	16	229-34400
D 02	22	19	B8133-019-000	A 03	22	19	131-60304
				A 03	22	22	229-32453
D 02	22	22	SS-9182010-SN	A 03	22	23	229-34707
D 02	22	25	B3433-141-H0A	A 03	22	24	229-32404
D 02	24	9	ST-9053511-SR	A 03	23	9	SK-3513200-SC
				A 03	24	-	ALL PARTS - 全部品
D 02	26	1	MDP-170B1802	A 03	26	1	M1351-7B1-102



## HOW TO MAKE USE OF THIS PARTS LIST

### 1.Explanation of codes

1)"\*"mark.....means this part is changed from the previous parts book.

As to the details of the change, refer to the "List for information of change".

2)"#01".....refer to "Note" explanation at bottom of page.

### 2.Codes on the "Qty" column

• Each numeral indicates the number of parts required.

• "0.1" and "2.5" indicate the length (in meters) of the respective parts.

3.Parentheses mean that the corresponding part is a subpart that constructs an assembly part.

4.Dotted lines on the Figures indicate assembly parts.

### 1."注記"欄の記号説明

1) "\*"印.....前回のパーツブックに比較して今回変更された部品を意味します。

変更内容は、"変更情報リスト"を参照してください。

2) "#01".....ページ下の"注記"の説明を参照してください。

2.数量欄の数字は、個数を表し、0.1、2.5等の数値は、長さ（単位メートル）を表します。

3.数量欄の（ ）は、組部品を構成している子部品であることを意味します。

4.イラストページの-----枠は、組構成であることを意味します。

# NUMERICAL INDEX OF PARTS

PART NO	PAGE	REF NO.	PART NO	PAGE	REF NO.	PART NO	PAGE	REF NO.
10106102	24	3	21207006	10	46	22932909	38	9
10119006	14	2	21207105	40	6	22933006	38	4~6
10119204	14	3	21207204	40	7	22933105	38	4~6
10119402	14	24	21207501	40	8	22933204	38	4~6
10119907	14	35	21207600	40	9	22933303	38	12
10120004	14	28	21208004	12	48	22934202	32	15
10120004	28	36	21208103	12	66	22934301	32	14
10161305	14	1	21208202	12	76	22934400	32	16
10549657	38	29	21208350	12	69	22934509	32	12
10741759	38	39	21208608	16	11	22934707	32	23
11072204	28	10	21208707	16	5	22958300	38	28
11073657	28	1	21209051	16	12	22964001	16	7
11155108	34	3	21209952	16	6	22964001	38	10
11155207	34	4	21210059	16	14	26028001	28	14
11157567	34	7	21211651	8	12	40026920	38	38
11415205	4	20·56	21212501	18	2	40032259	2	9
13160304	32	19	21212600	18	23~27	40052256	38	32
21103304	8	6	21212709	18	23~27	40096354	36	1
21133103	4	50	21212808	18	23~27	B1114280000	14	34
21136205	16	9	21212907	18	23~27	B1116246000	2	47
21136304	16	10	21213004	18	23~27	B1117246000	2	46
21136502	18	40	21213202	18	1	B1118141H0AA	2	2
21136601	18	31	21213301	18	41	B1123141H0A	2	20·56
21137104	38	19	21213400	22	24	B1128246000	4	49
21201207	2	32	21213509	18	46	B1129141H00	2	30
21201306	4	52	21214358	40	15·17	B1131141H00	2	35
21201405	4	53	21214655	40	15·17	B1147141H00	12	85
21202007	4	51	21215355	2	25	B1148141H00	12	84
21202601	40	5	21218607	34	2	B1156115000	2	11
21203005	2	29	21218656	34	1	B1202141H0A	6	11
21203104	40	1	21272802	24	23	B1203051000	6	37
21203203	40	2	21286604	6	8·17·18	B1203141H00	6	9
21203500	40	3	21286802	8	34	B1210141H00	8	17
21203609	40	4	21286901	30	5	B1211141H00	6	6
21205059	2	3	21295308	6	8·17·18	B1211226000	6	10
21205109	6	20	22901409	8	9	B1212012000	6	25
21205307	8	1	22901805	4	57	B1213012000	6	24
21205513	10	10	22904155	6	15	B122714500A	6	8·17·18
21205562	10	8	22904155	24	5	B1301201000	6	12
21205604	10	18	22906101	8	10	B1302201000	6	4
21205711	10	19	22907604	8	30	B1303271000	6	19
21205760	10	17	22927354	30	11	B13050120A0	6	22
21206008	10	37	22932404	32	24	B13061550A0	6	32
21206602	40	10	22932453	32	22	B13071550A0	6	34
21206701	40	14	22932909	16	13	B1308012000	6	31

# NUMERICAL INDEX OF PARTS

PART NO	PAGE	REF NO.	PART NO	PAGE	REF NO.	PART NO	PAGE	REF NO.
B13081550A0	6	35	B1638141H00	12	83	B3013141H0B	26	59-60
B1310012000	6	29	B1638245000	10	47	B3014141H00B	24	37
B1311012000	6	27	B1639145000	10	41	B3015141H00	24	39
B1312012000	6	30	B1640145000	10	36	B3016141H00	26	57
B1408141H00	8	19	B1641245000	10	39	B3017141H00B	26	63
B14115520A0	8	20	B1642245000	10	40	B3020141H00	24	29
B1414555000	8	4	B1643145000	12	54	B3023141H00A	26	50
B1421141H00	8	37	B1644245000	12	52	B3023141HA0A	26	49
B1424158000	10	34	B1645245000	10	42	B3024141H00	26	51
B1424158000	24	36	B1646201000	10	26	B3025141H00A	24	1
B1501141H00	8	40	B1646245000	12	57	B3026141H00	24	7
B1509141H00	8	29	B1647145000	12	75	B3028141H00	24	11
B1510141H00	8	31	B1647226000	10	25	B3029145000	24	8
B1510155000	8	8	B1648122000	10	32	B3030145000	24	40
B1512141H00	8	27	B1651245000	12	73	B3031141H00	22	17
B1513141H00	8	24	B1652245000	10	43	B3031141H00	24	30
B1515141H00	8	22	B1654245000	12	77	B3032141H00	24	31
B152514500A	40	13	B1655245000	12	78	B3033141H00	24	42
B1526141HA0	40	16	B1806038000	16	1	B3034141H00	24	41
B1526145000	8	38	B183924500A	16	4	B3035141H00	26	58
B152614500A	40	11	B183924500B	16	3	B3036141H00	24	46
B1603245000	12	56	B183924500C	16	2	B3037141H00	24	44
B1605145000	12	60	B185351200AA	18	11~15	B3037141HA0	24	43
B1606145000	10	38	B185351200BA	18	11~15	B3038141H00	26	55
B1614145000	10	14	B185351200CA	18	11~15	B3111126000	28	3
B1618226000	10	15	B185351200D	18	11~15	B3114232000	28	8
B1619115000	10	3	B185351200E	18	11~15	B3115552000	28	5
B16191150A0	10	1	B1901115000	8	13	B3118552F00	28	12
B1620145000	10	16	B1902115000	8	14	B3120125000	28	9
B1621141H00A	12	55	B1903141H00	8	16	B3126012000	28	6
B1622141H00	10	5	B1904115000	8	15	B3127127000	28	13
B1624141H00	12	50	B2733761000	14	32	B3128012000	28	4
B1627226000	10	27	B3001141H00	24	25	B3132552000	28	7
B163224500C	10	20~24	B3002141H00	24	26	B3134141H00	28	17
B163224500D	10	20~24	B3003141H00A	24	16	B3214047000	2	6
B163224500E	10	20~24	B3005141H00	24	18	B3216047000	2	8
B163224500F	10	20~24	B3006141H00	24	38	B3218232000	2	7
B163224500G	10	20~24	B3007141H00	24	12	B3414245000	32	9
B163224500G	38	20	B3008141H00	24	22	B3415145000	32	32
B16331220A0	10	28	B3009141H0A	24	21	B3416141H00A	32	7
B1634141H00A	12	68	B3010141H00	24	27	B3420245000	32	21
B1635245000	12	71	B3011141H00	24	14	B34202450A0	32	20
B1636141H0A	12	82	B3011141H0A	24	20	B3421245000	32	18
B1637141H00	12	81	B3012141H00A	26	61	B34212450A0	32	17
B1637245000	12	72	B3013141H0A	26	59-60	B3422245000	32	31

# NUMERICAL INDEX OF PARTS

PART NO	PAGE	REF NO.	PART NO	PAGE	REF NO.	PART NO	PAGE	REF NO.
B3423245000	32	29	D1525141E00	8	36	D2432245E0A	22	30
B3424141H00	32	26	D1525141EA0	8	35	D2433245E00	18	30
B3424245000	32	27	D1525141EAA	40	12	D2434245E00	18	34
B3425141H00	32	30	D1621141E00	12	64	D2434245E00	22	29
B3425245000A	32	25	D1624141E0A	12	63	D2435245E00	20	50
B34262450A0	32	11	D1680141EA0	14	6	D2436141E00	18	17
B3434141H00	32	28	D1681141E0A	14	9	D2436245E00	18	47
B35031450A0	2	14	D1682141E00	14	21	D2441141E00	18	18
B3503201000	2	15	D1683141E00	14	13	D2464555B00	14	15
B3504201000	2	13	D1684141E00A	14	23	D3142141E00	28	15
B3515201000	2	18	D1685141E00	14	27	D3142141E0A	28	16
B3517009000	6	26	D1686141E00	14	8	D3149141E00	28	35
B3527012000	2	16	D1687141E00	14	25	D3151141E00	28	33
B3538112000	28	32	D1841141E00	18	45	D3152141E00	28	34
B71140120A0	34	8	D2120555C00	18	7	D3153141E00	28	23
B820424500A	38	13	D2401245E00	18	22	D3154141E00	28	27
B910114500A	30	2	D2402245E00	18	28	D3155141E00	28	38
B91011450AA	30	1	D2402245E00	38	22	D3156141E00	28	25
B9101552000	38	3	D2403245E00	18	44	D3157141E0A	28	20
B91021450AA	30	4	D2405245E00	18	39	D3158141E00	28	44
B9106145000	30	6	D2406245E0A	18	38	D3159141E00	28	41
B9107145000	30	7	D2409245E00	22	8	D3160141E00	28	30
B9108145000	30	8	D2410245E00	22	9	D3161555B00	2	5
B9111245000	38	15	D2411245E00	22	1	D3162560E00	2	4
B9112012000	38	7	D2412245E00	18	16	D3410141E0AA	32	1
B9113012000	38	8	D2413245E00	18	10	D6037245GA0	22	37
B91212200A0	38	11	D2414141E00	2	33	D7101245E00	38	23
B9130245000	38	16	D2414245E00	22	13·32	D7102245E00	38	24
BP300000000	14	31	D2414245E0A	22	13·32	D8204555D00	34	5
BT0630520Z0	38	27	D2415245E00	22	16	EA9502B0500	28	29
CM300200001	4	60	D2415245EA0	22	15	GES12153000	22	26
CM301300001	4	58	D2416245E00	22	7	GES12153000	38	21
CM500300001	30	3	D2417245E00	22	4	HK034610140	22	28
CQ200000000	10	2	D2417245EA0	22	3	HK03464000B	22	27
CQ202000000	2	17	D2418245E00	22	12	J106600000F	38	14
CQ202000000	6	36	D2419245E00	18	9	M13517B1100	8	3
CS0510713SD	32	3	D2421245E00	22	19	M13517B1102	38	1
D1126560E00A	2	36	D2423245E00	22	18	MAO11532000	38	2
D1129141EA0	38	30	D2425245E00	18	35	MAT81126T00	14	7
D1173145E00	2	40	D2426245E00	20	49	MTJVM00520A	38	37
D1201141E00A	6	14	D2428141E00	22	14	MTSP00750B0	38	36
D1206141E00	6	1	D2428245E00	22	39	NM6060001SD	38	18
D1403141E00	8	7	D2430245EA0	22	23	NS6150310SP	24	19
D1418141E00	8	5	D2432245E00	18	42	NS6150430SP	14	26
D1512141E00	8	28	D2432245E00	22	31	NS6150430SP	38	25



# NUMERICAL INDEX OF PARTS

PART NO	PAGE	REF NO.	PART NO	PAGE	REF NO.	PART NO	PAGE	REF NO.
NS6160520SP	26	53	SS5090610SP	2	34	SS7120640SP	28	31
NS6620310SP	32	5	SS5110710SP	12	58	SS7120910TP	26	56
NS6660430SP	24	32	SS6060210SP	12	80	SS7121410SP	14	29
NS6680320SP	24	47	SS6090510SP	22	38	SS7151210SP	14	19
NS6680410SP	10	13	SS6090610SP	10	12	SS7151210SP	30	10
PS0300132KH	8	26	SS6090670TP	8	18	SS7620750SP	10	31
PS0300201KP	24	45	SS6090810SP	22	21	SS7681750TP	6	13
PS0350102KR	2	23	SS6091022TP	18	3	SS8090410SP	18	21
PS0400182K0	12	74	SS6110480SP	30	9	SS8090670SP	28	2
PS0600602KP	2	44	SS6110610TP	8	33	SS8110410TP	12	59
RE0250000K0	28	24	SS6111610SP	2	27	SS8110750SP	2	22
RE0300000K0	12	53	SS6121050SP	12	70	SS8110750SP	8	25
RE0400000K0	14	14	SS6121210SP	10	29	SS8150510TP	14	30
RE0400000K0	26	52	SS6121210SP	24	2	SS8150710SP	10	61
RE0600000K0	14	22	SS6151220SP	10	6	SS8150710SP	12	61
RE0700000K0	10	33	SS6151440SP	24	13	SS8150710SP	24	15
RE0700000K0	24	28	SS6661110SP	10	7	SS8150710SP	28	11
RO074240100	12	67	SS7060310SP	18	29	SS8150710TP	6	23
SD0550271TP	28	40	SS7080510TP	8	2	SS8150750SP	24	4
SD0600271SP	28	19	SS7080520SP	12	49	SS8150830SP	12	62
SD0600321SP	28	18	SS7090610SP	8	39	SS8151150SP	6	5
SD0630301SP	28	37	SS7090620TP	2	31	SS8151230SP	18	37
SD0640321SP	18	6	SS7090710SP	10	35	SS8151230SP	22	10
SD0640321SP	28	43	SS7090710SP	14	20	SS8151550SP	6	33
SD0720331SP	14	33	SS7091110SP	8	21	SS8151550SP	8	11
SD0790351SP	32	4	SS7091110SP	24	34	SS8151550SP	16	8
SD0800352SP	4	48	SS7110510SP	2	19	SS8660410SP	18	33
SD0850751SP	24	33	SS7110540SP	18	19	SS8660530TP	18	36
SD0950802SH	10	4	SS7110540SP	32	8	SS8660530TP	24	9
SD0991551SP	32	2	SS7110710SP	2	10	SS8660610TP	6	3
SK1483201SE	32	6	SS7110710SP	14	10	SS8660610TP	8	32
SK3311600SE	34	6	SS7110710SP	18	8	SS8660610TP	24	24
SK3482500SC	30	12	SS7110710SP	22	34	SS8660612TP	18	43
SK3513200SC	34	9	SS7110710SP	28	42	SS8681950SP	6	2
SM1030601SA	28	28	SS7110710SP	38	26	SS8701042TP	12	65
SM4030601SC	28	21	SS7110840SP	8	23	SS9111010SP	14	12
SM4040601SC	38	33	SS7110910SP	2	38	SS9181520CP	6	28
SM6082002TP	4	54	SS7110910SP	22	33	SS9660720SP	10	45
SM9061203SE	32	13	SS7110910SP	26	62	SS9660910SP	10	44
SS2090710SP	2	39	SS7110910SP	28	26	TA0550604R0	6	38
SS2090710TP	38	31	SS7111120SP	26	48	TA0750704R0	2	45
SS2090810SP	10	11	SS7111410SP	4	55	TA1120804R0	2	43
SS2110915SP	2	28	SS7111410TP	18	20	TA1250406R0	2	41
SS4081110SN	12	79	SS7111410TP	24	35	TA2100904R0	2	42
SS5060310SP	20	48	SS7112420SP	2	24	WP0320501SC	28	22

## NUMERICAL INDEX OF PARTS

PART NO	PAGE	REF NO.
WP0371016SD	22	20
WP0371026SD	18	5
WP0430800SC	38	34
WP0501016SC	30	13
WP0501016SD	14	11
WP0501016SD	22	36
WP0621016SD	14	18
WP0621016SD	32	10
WP0650876SD	26	54
WP0751576SD	38	17
WS0410002KN	18	4
WS0410002KN	38	35
WS0631510KP	14	17
WT0530002KS	22	35
WZ1052010KP	12	51