

MODEL : TSC-461

List No : 0612-05

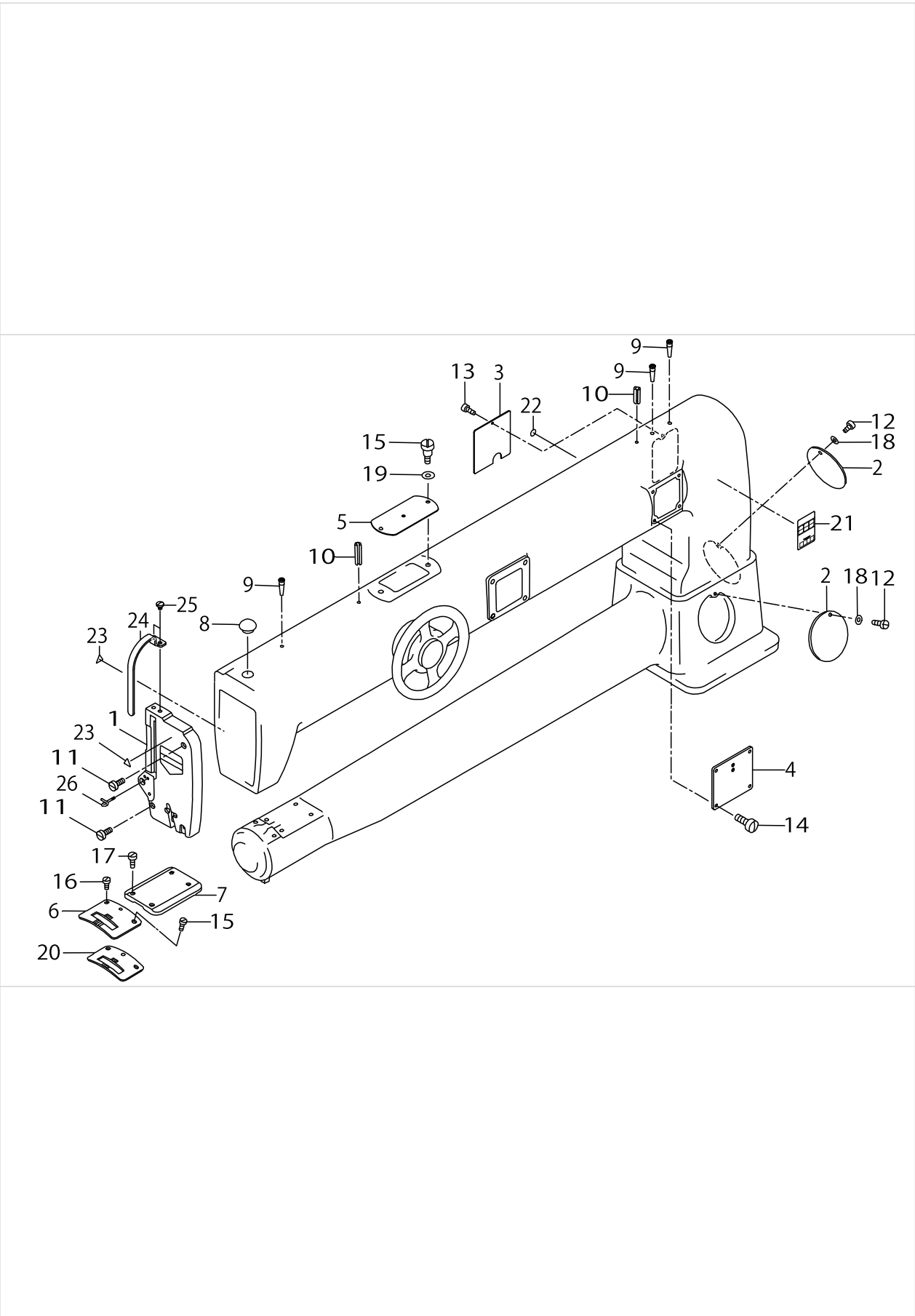
PARTS LIST

Published:09/10/2017

CONTENTS

FRAME & MISCELLANEOUS COVER COMPONENTS	1
MAIN SHAFT COMPONENTS	3
NEEDLE BAR & UPPER FEED MECHANISM COMPONENTS	5
PRESSURE BAR COMPONENTS	9
FEED MECHANISM COMPONENTS	11
HOOK DRIVING SHAFT COMPONENTS	13
TENSION POST COMPONENTS	17
THREAD WINDER & THREAD GUIDE COMPONENTS	19
KNEE LIFTER COMPONENTS	21
AUXILIARY HAND WHEEL COMPONENTS	23
BELT COVER COMPONENTS	25
THREAD STAND COMPONENTS	27
TABLE COMPONENTS	29
ACCESSORIES PARTS COMPONENTS	31
LIST FOR INFORMATION OF CHANGE	33
HOW TO MAKE USE OF THIS PARTS LIST	34

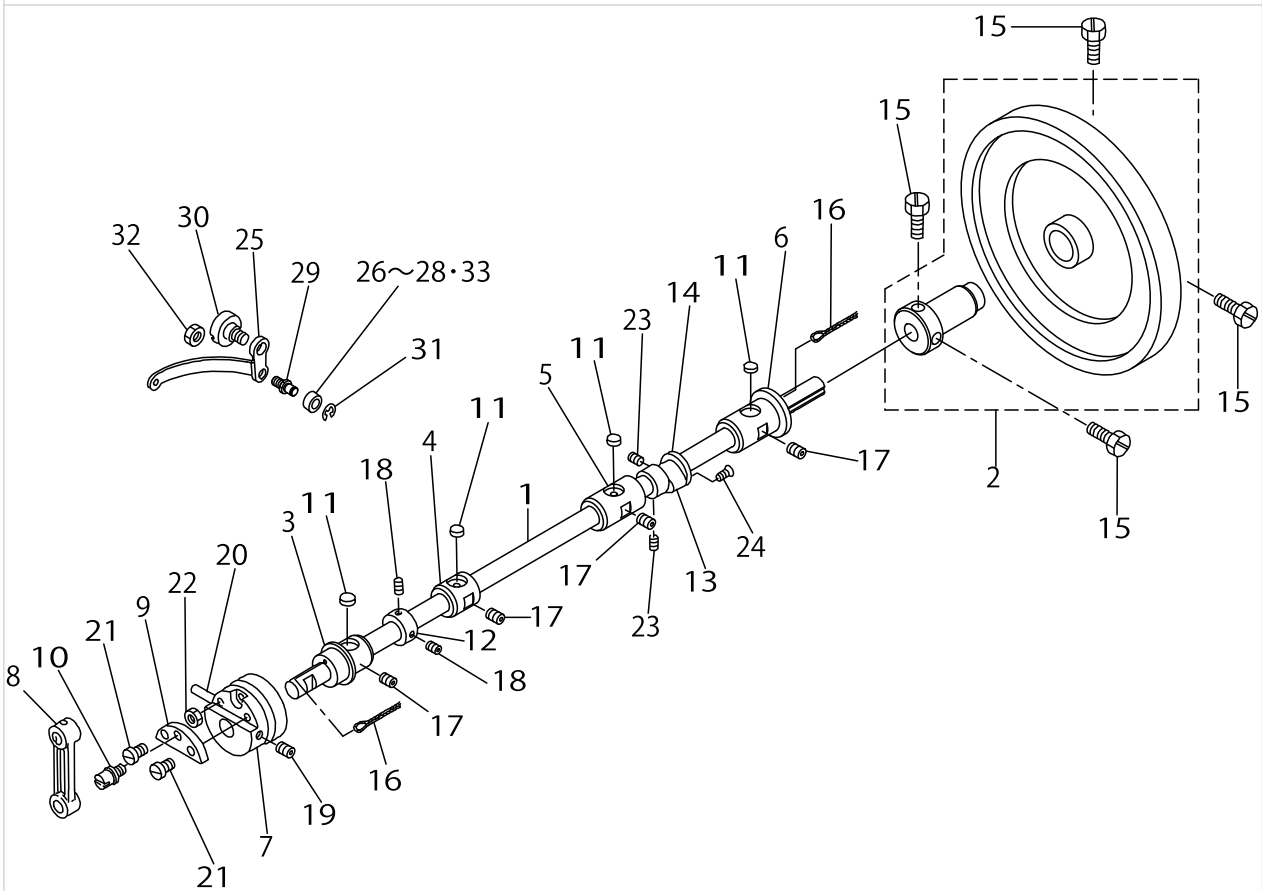
FRAME & MISCELLANEOUS COVER COMPONENTS



FRAME & MISCELLANEOUS COVER COMPONENTS

No.	Parts No.	Parts name	Remarks	Level	Cons	Qty
1	21096359	FACE PLATE ASM.				1
2	21148507	SIDE COVER				2
3	21192703	SIDE COVER B				1
4	21192802	SIDE COVER C				1
5	21192901	SIDE COVER D				1
6	21160205	THROAT PLATE				1
7	21180609	BED SLIDE				1
8	TA1250406R0	RUBBER PLUG D=12.5 L=4				1
9	A3243997C00	REAR MATEL OIL PIPE				3
10	PS0500452KP	SPRING PIN				2
11	SS6151920SP	SCREW 15/64-28 L=19.0				2
12	SS7090710SP	SCREW 9/64-40 L= 6.8				1
13	SS7091110SP	SCREW 9/64-40 L=10.5				1
14	SS7111120SP	SCREW 11/64-40 L=10.5				4
15	SD0630241SD	HINGE SCREW D= 6.30 H= 2.4				1
16	SS7120910SP	SCREW 3/16-28 L=9				2
17	SS7120910SP	SCREW 3/16-28 L=9				4
18	WZ0430390KP	WASHER				2
19	B1152051000	WASHER				1
20	21160304	THROAT PLATE (SHORT)	OPTIONAL PARTS			1
21	CM301200002	SAFETY LABEL_L				1
22	22901805	GROUND MARK				1
23	CM300200001	ATTENTION SEAL				2
24	21097605	TAKE-UP COVER (JE)				1
25	SS7150740SP	SCREW 15/64-28 L=7				2
26	21059514	THREAD RACK				1

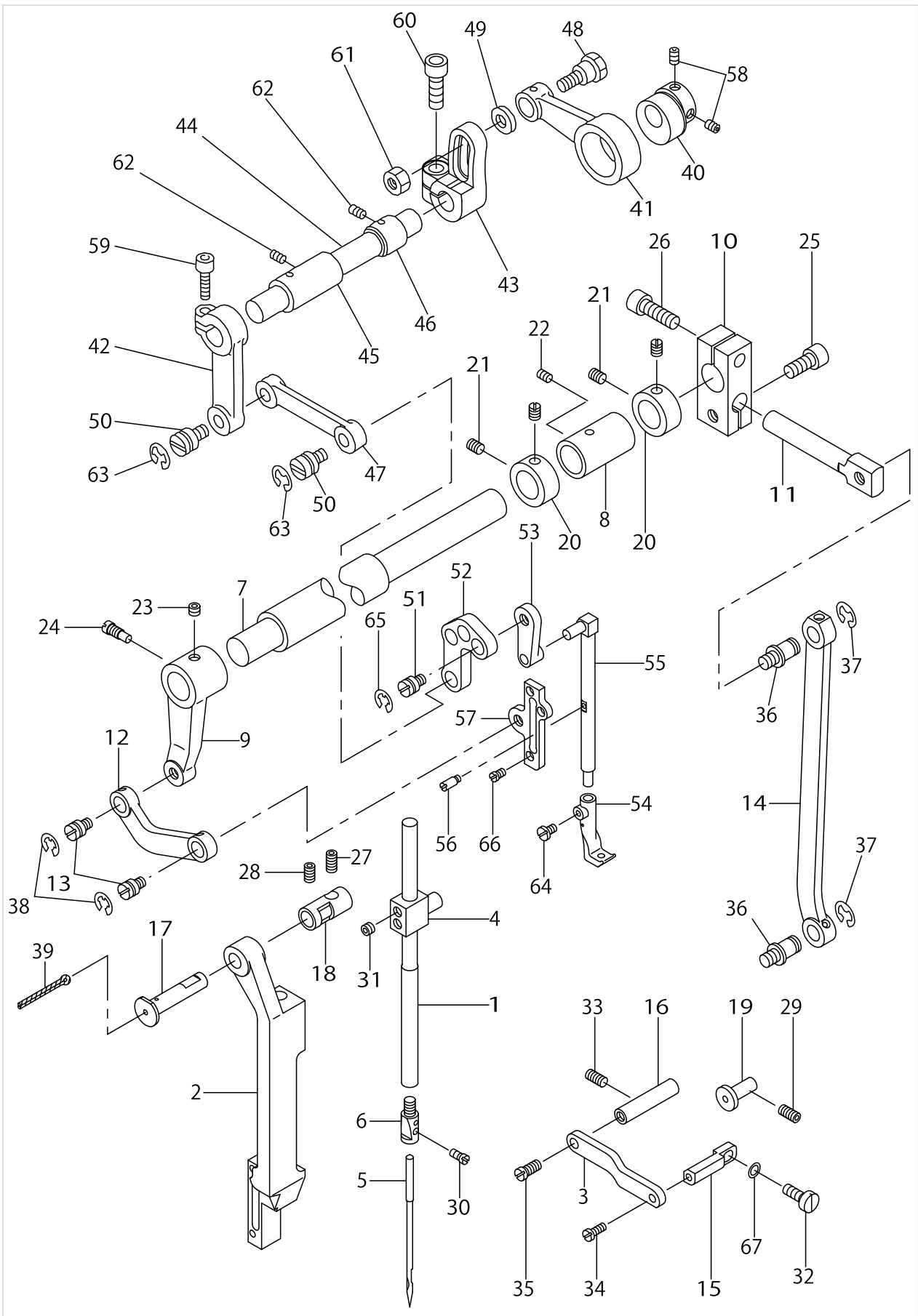
MAIN SHAFT COMPONENTS



MAIN SHAFT COMPONENTS

No.	Parts No.	Parts name	Remarks	Level	Cons	Qty
1	21181102	MAIN SHAFT				1
2	21193057	HAND WHEEL ASM.				1
3	21181300	BUSHING, FRONT				1
4	21181409	BUSHING, MIDDLE (1)				1
5	21181508	BUSHING, MIDDLE (2)				1
6	21181607	BUSHING, REAR				1
7	21181706	CAM				1
8	21091707	CRANK ROD				1
9	21045109	CRANK PLATE				1
10	21045604	NEEDLE BAR CRANK SHAFT				1
11	21045406	FELT				4
12	21181805	THRUST COLLAR				1
13	21151402	FEED CAM				1
14	21045505	SIDE PLATE				1
15	SS9702110SP	SCREW				4
16	CQ202000000	OIL WICK				0.2
17	SS8151550SP	SCREW 15/64-28 L=15				4
18	SS8660610TP	SCREW 1/4-40 L=6				2
19	SS8660612TP	SCREW 1/4-40 L=6				2
20	PT0405600SH	TAPER PIN				1
21	SS1681140SP	SCREW 9/32-28 L=11				2
22	NS6680410SP	NUT 9/32-28				1
23	SS8150710SP	SCREW 15/64-28 L=7				2
24	SS2110915SP	SCREW 11/64-40 L=8.5				2
25	21091806	THREAD TAKE-UP LEVER				1
26	21046008	BALANCE ROLLER.				1
27	21046107	ROLLER	SELECTIVE PARTS			1
28	21046206	ROLLER	SELECTIVE PARTS			1
29	21046313	ROLLER STUD				1
30	SD1070901TP	HINGE SCREW				1
31	RE0400000K0	E-RING 4				1
32	NS6680410SP	NUT 9/32-28				1
33	40027078	ROLLER	SELECTIVE PARTS			1

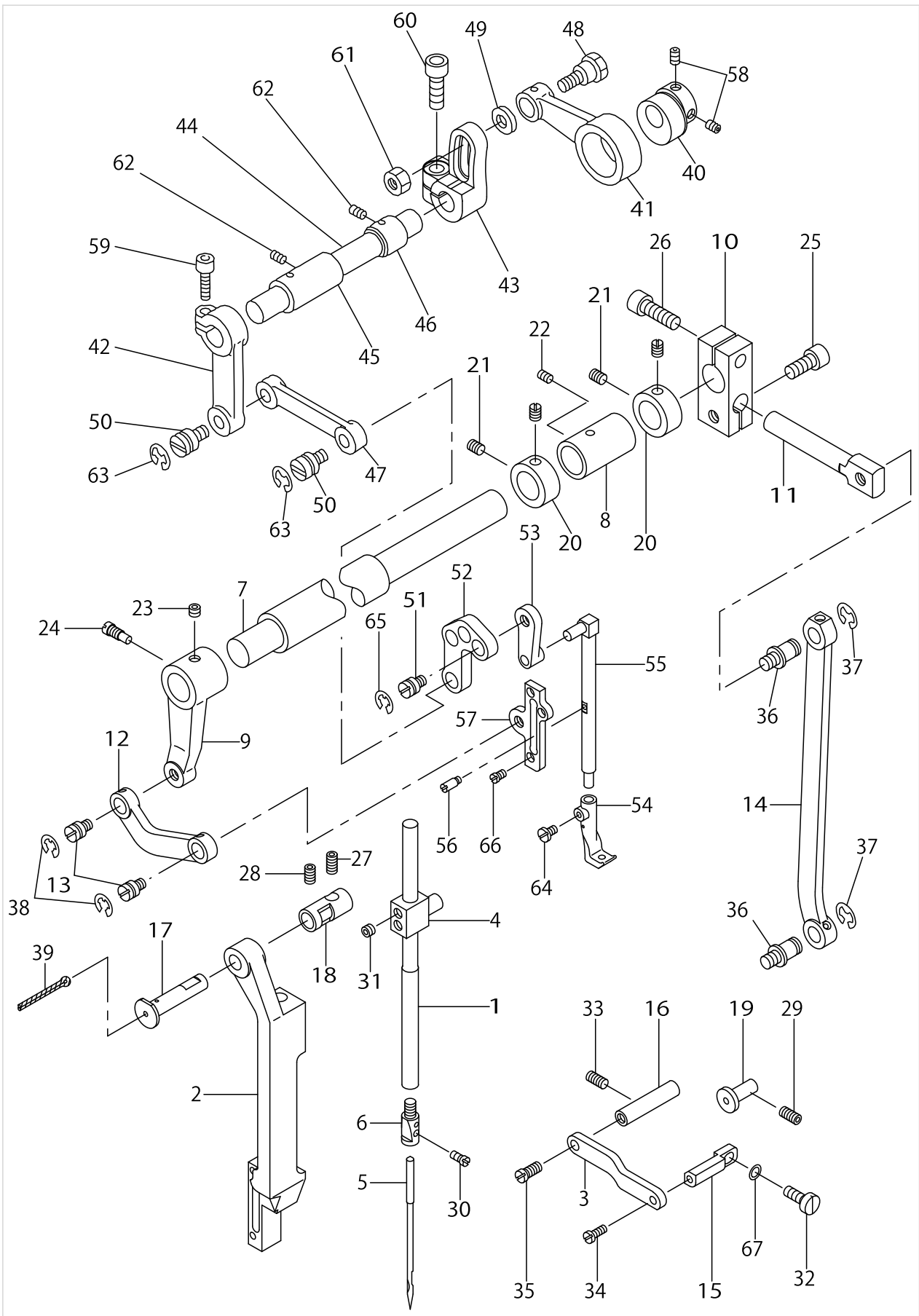
NEEDLE BAR & UPPER FEED MECHANISM COMPONENTS



NEEDLE BAR & UPPER FEED MECHANISM COMPONENTS

No.	Parts No.	Parts name	Remarks	Level	Cons	Qty
1	21092002	NEEDLE BAR				1
2	21092101	FRAME DRIVING BASE				1
3	21092200	PRESSURE PLATE				1
4	21092309	NEEDLE BAR CONNECTION				1
5	MC532002300	NEEDLE (794 NM=230)				1
6	21092408	NEEDLE STOPPER				1
7	21182100	DRIVING SHAFT				1
8	21182209	BUSHING, REAR				1
9	21092804	DRIVING SHAFT FRONT ARM				1
10	21161617	DRIVING SHAFT REAR ARM A				1
11	21161708	DRIVING SHAFT REAR ARM B				1
12	21093000	FRAME DRIVING LINK				1
13	21048707	HINGE SCREW				2
14	21161807	NEEDLE BAR FRAME DRIVING ROD				1
15	21093208	PRESSURE PLATE				1
16	21093307	PRESSURE SHAFT				1
17	21093406	FRAME DRIVING BASE SHAFT				1
18	21093505	FRAME DRIVING BASE SHAFT METAL				1
19	21093604	FRAME DRIVING BASE GUIDE				1
20	CS1801211SH	THRUST COLLAR D=18 W=12				2
21	SS8660810TP	SCREW 1/4-40 L=8				4
22	SS8150710SP	SCREW 15/64-28 L=7				1
23	SS8660512TP	SCREW 1/4-40 L=5				1
24	SS7151550SP	SCREW 15/64-28 L=14.5				1
25	SM6081802TP	SCREW				1
26	SM6082502TP	SCREW M8 L=25				1
27	SM8061212TP	SCREW M6X12				1
28	D2446141E00	METAL SCREW				1
29	SM8061212TP	SCREW M6X12				1
30	SS6110710TP	SCREW 11/64-40 L= 6.5				1
31	SS8660512TP	SCREW 1/4-40 L=5				2
32	SM6061650TP	SCREW				1
33	SM8061212TP	SCREW M6X12				1
34	SS7111120SP	SCREW 11/64-40 L=10.5				1
35	SS7151120SP	SCREW 15/64-28 L=11				1
36	B1424158000	HINGE SCREW				2
37	RE0700000K0	E-RING 7				2
38	RE0800000K0	E-SHAPED SNAP RING (8MM)				2
39	CQ202000000	OIL WICK				0.2
40	21181904	CAM				1
41	21049309	CONNECTING ROD				1
42	21049408	DRIVING SHAFT ARM, FRONT				1
43	21049515	DRIVING SHAFT ARM, REAR				1
44	21049606	FEED ROCKER SHAFT				1
45	21049705	BUSHING, FRONT				1
46	21049804	BUSHING,REAR				1
47	21049903	ROD				1

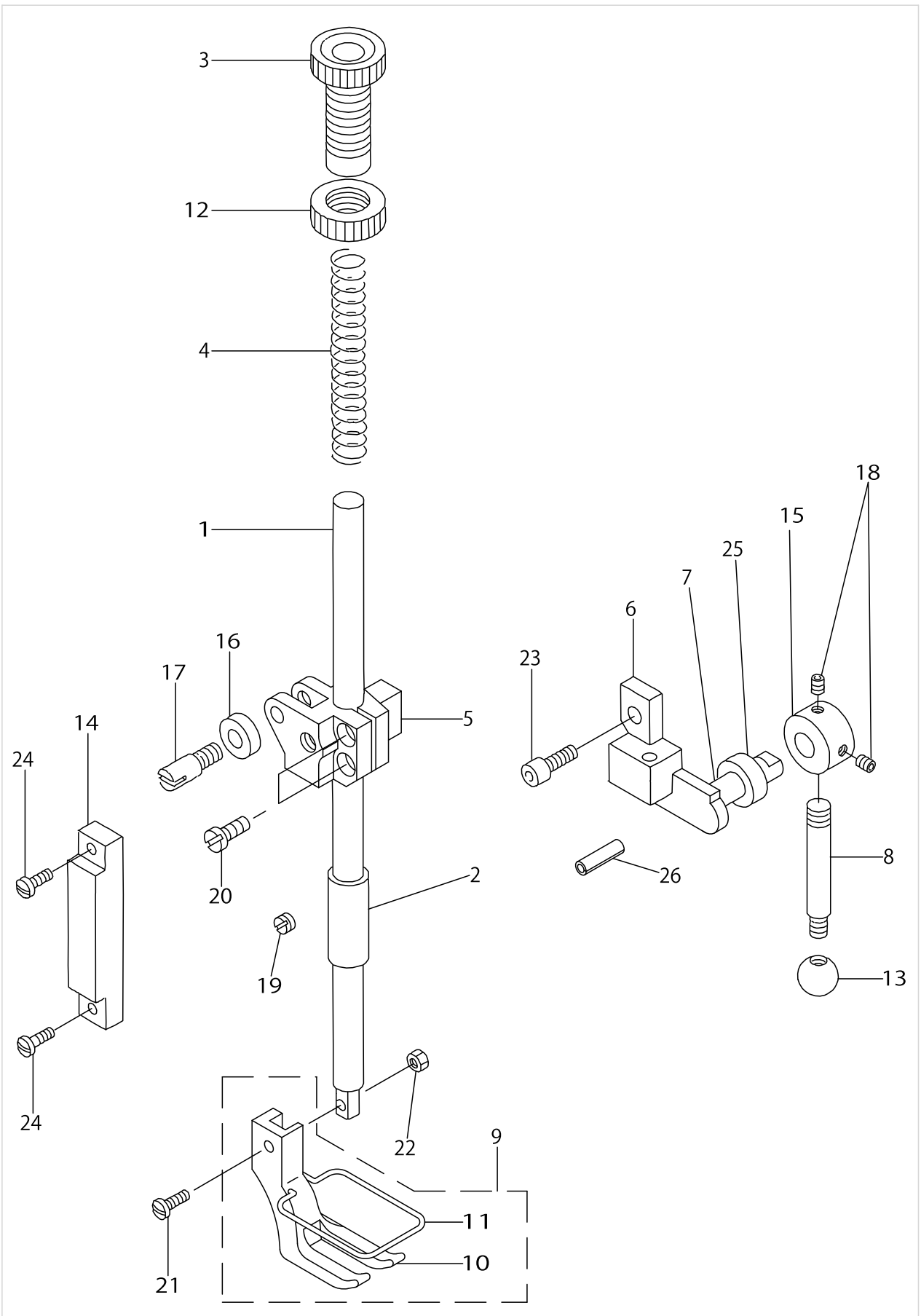
NEEDLE BAR & UPPER FEED MECHANISM COMPONENTS



NEEDLE BAR & UPPER FEED MECHANISM COMPONENTS

No.	Parts No.	Parts name	Remarks	Level	Cons	Qty
48	21050000	HINGE SCREW				1
49	21050109	WASHER				1
50	21048707	HINGE SCREW				2
51	21048707	HINGE SCREW				2
52	21093901	L-LINK				1
53	21094008	UPPER FEED FRAME DRIVING LINK				1
54	21094107	WALKING FOOT				1
55	21094701	UPPER FEED BAR				1
56	21094800	UPPER FEED BAR PIN				1
57	21094909	UPPER FEED BAR GUIDE				1
58	SS8660610TP	SCREW 1/4-40 L=6				2
59	SM6061552TP	SCREW M6 L=15				1
60	SM6081802TP	SCREW				1
61	NS6720440SP	NUT 11/32-28				1
62	SS8150710SP	SCREW 15/64-28 L=7				2
63	RE0800000K0	E-SHAPED SNAP RING (8MM)				2
64	SS7110840SP	SCREW 11/64-40 L=7.8				1
65	RE0800000K0	E-SHAPED SNAP RING (8MM)				2
66	SS7110540SP	SCREW 11/64-40 L=5				3
67	WP0621026SP	WASHER 6.2X9.5X1				1

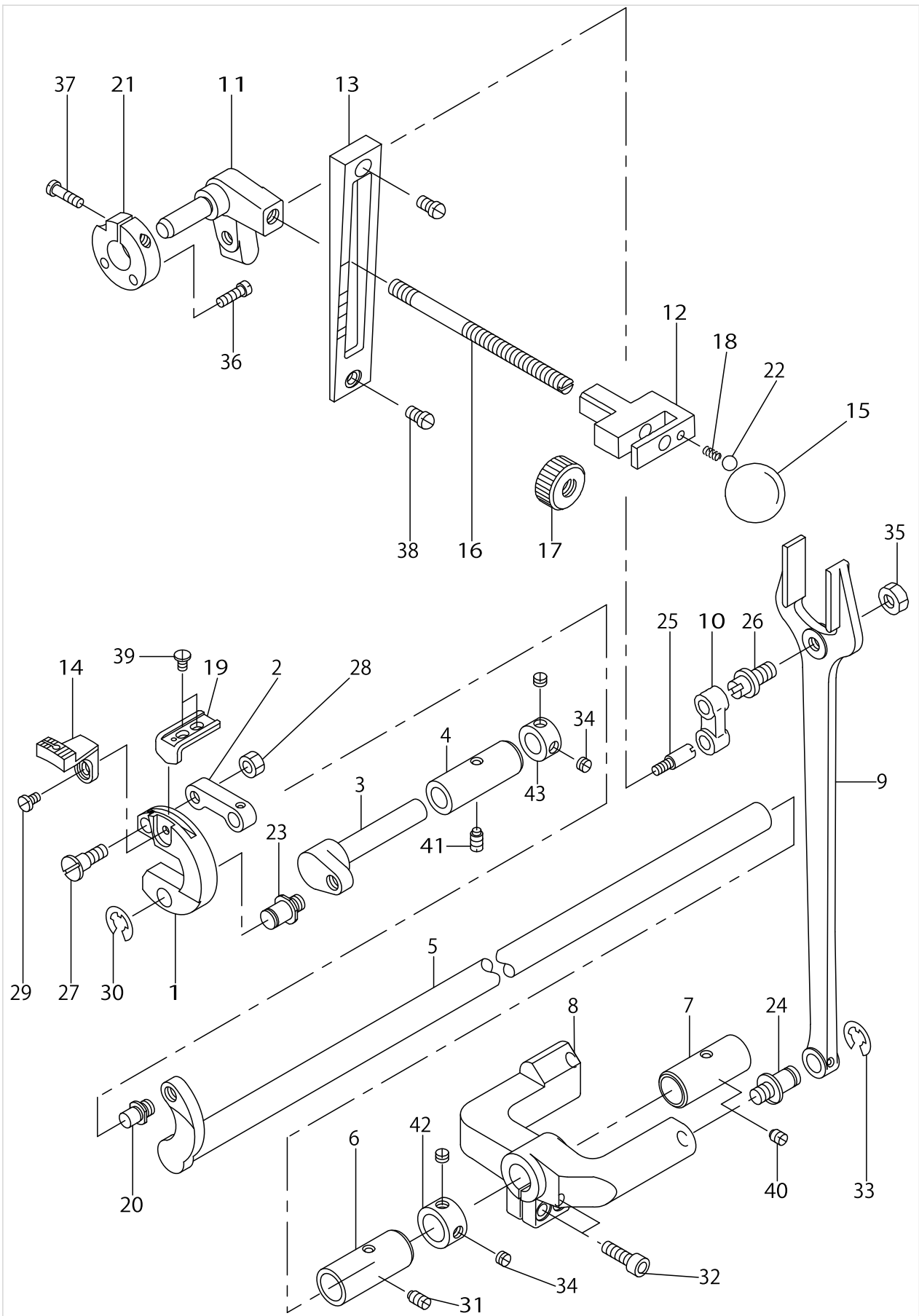
PRESSURE BAR COMPONENTS



PRESSURE BAR COMPONENTS

No.	Parts No.	Parts name	Remarks	Level	Cons	Qty
1	21050505	PRESSER BAR				1
2	21050604	PRESSER BAR BUSHING				1
3	21050703	SCREW				1
4	21050802	SPRING				1
5	21095005	PRESSER BAR GUIDE BRACKET				1
6	21051008	HAND LIFTER LINK				1
7	21051107	HAND LIFTER CAM				1
8	21051206	HAND LIFTER LEVER				1
9	21095153	PRESSER FOOT ASM.				1
10	21095104	PRESSER FOOT		*		1
11	21097506	GUARD		*		1
12	21051305	NUT				1
13	21051404	GRIP				1
14	21051503	GUIDE PLATE				1
15	21051602	THRUST COLLAR				1
16	21051701	ROLLER FOLLOWER				1
17	21051800	GUIDE NUT				1
18	SS8660512TP	SCREW 1/4-40 L=5				2
19	SS8150410SP	SCREW 15/64-28 L=4				1
20	SS6121210SP	SCREW 3/16-28 L=12				2
21	SS7091410SP	SCREW 9/64-40 L=13.5				1
22	NS6090310SP	NUT 9/64-40				1
23	SS6660622TP	SCREW				1
24	SS7621040SP	SCREW 3/16-32 L= 9.5				1
25	B1662562000	COLLAR				1
26	PS0300201KP	SPRING PIN 3.0X20				1

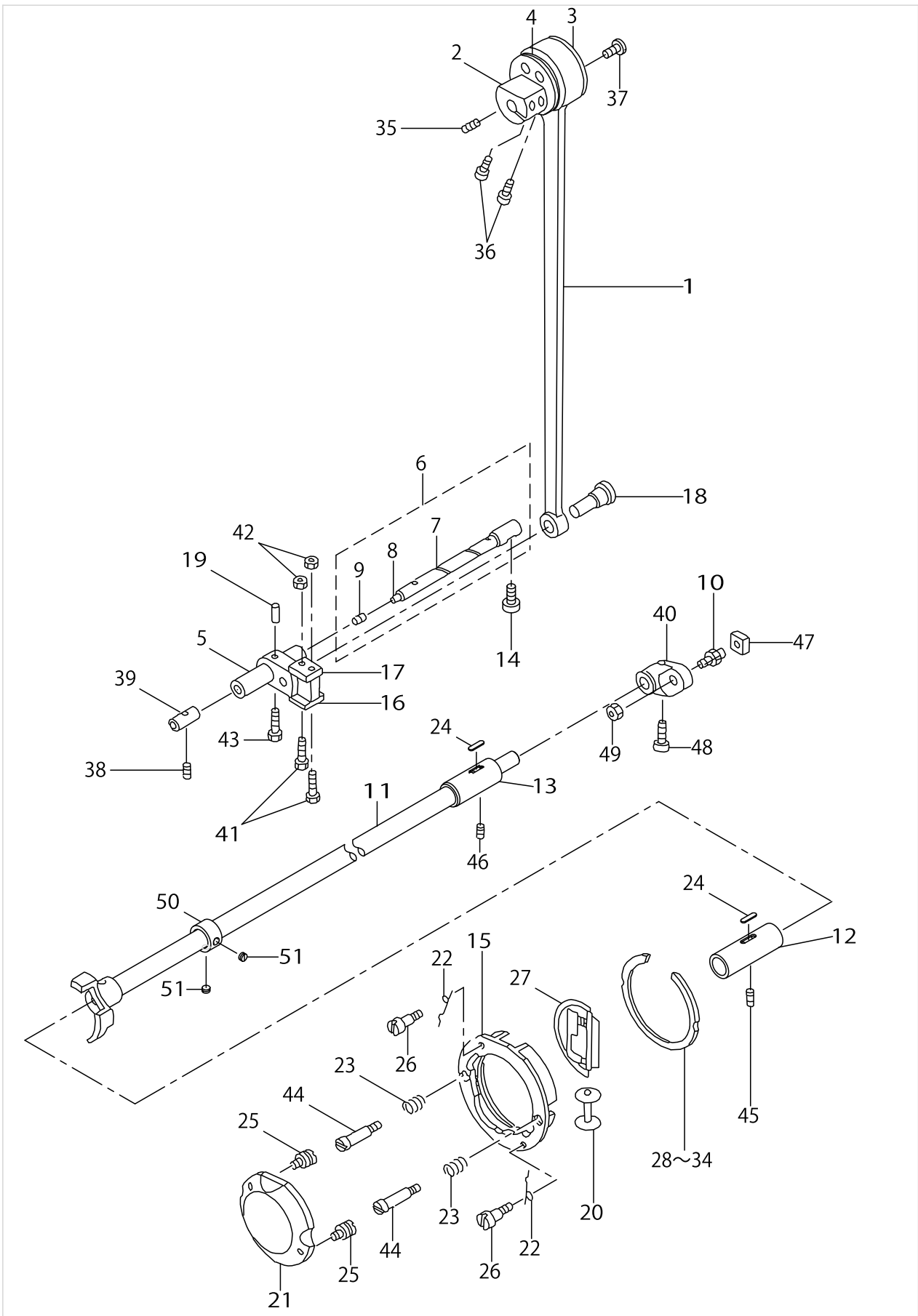
FEED MECHANISM COMPONENTS



FEED MECHANISM COMPONENTS

No.	Parts No.	Parts name	Remarks	Level	Cons	Qty
1	21151907	FEED BAR				1
2	21152004	FEED BAR LINK				1
3	21182704	FEED LIFTING ROCK SHAFT				1
4	21182803	BUSHING				1
5	40039624	HORIZONTAL FEED SHAFT ASM.				1
6	21182506	BUSHING, FRONT				1
7	21182605	BUSHING, REAR				1
8	21182308	FEED ROCK SHAFT CRANK				1
9	21152707	ROD				1
10	B1619241H00	FEED CONNECTING LINK				1
11	21152806	FEED REGULATOR				1
12	21054606	LEVER				1
13	21152905	SIDE COVER				1
14	21162300	FEED DOG				1
15	21054507	LEVER GRIP				1
16	21054408	LEVER SHAFT				1
17	21054705	NUT				1
18	21054804	SPRING				1
19	21153705	FEED BAR PRESSURE				1
20	21153804	HINGE SCREW				1
21	21153903	SUPPORT PLATE				1
22	21054903	BALL				1
23	21026901	HINGE SCREW				1
24	B1424158000	HINGE SCREW				1
25	B1617241H00	HINGE SCREW, A				1
26	B1618241H00	HINGE SCREW, B				1
27	SD0790801SP	HINGE SCREW D=7.94 H=8				1
28	NS6160520SP	NUT 1/4-24				1
29	SS7110840SP	SCREW 11/64-40 L=7.8				1
30	RE0800000K0	E-SHAPED SNAP RING (8MM)				1
31	SS8151150SP	SCREW 15/64-28 L=10.5				1
32	SM6061802TP	SCREW M6 L=18				2
33	RE0700000K0	E-RING 7				1
34	SS8660330SP	SCREW 1/4-40 L= 3.0				4
35	NS6680410SP	NUT 9/32-28				1
36	SS6121610TP	SCREW 3/16-28 L=15.5				2
37	SS6621840SP	SCREW 3/16-32 L=18.0				1
38	SS7150740SP	SCREW 15/64-28 L=7				2
39	SS6110610TP	SCREW 11/64-40 L=6				2
40	SS8150750SP	SCREW 15/64-28 L=7				1
41	SS8151150SP	SCREW 15/64-28 L=10.5				1
42	22904106	MAIN SHAFT THRUST COLLAR				1
43	CS1111019SH	THRUST COLLAR D=11.11 W=10				1

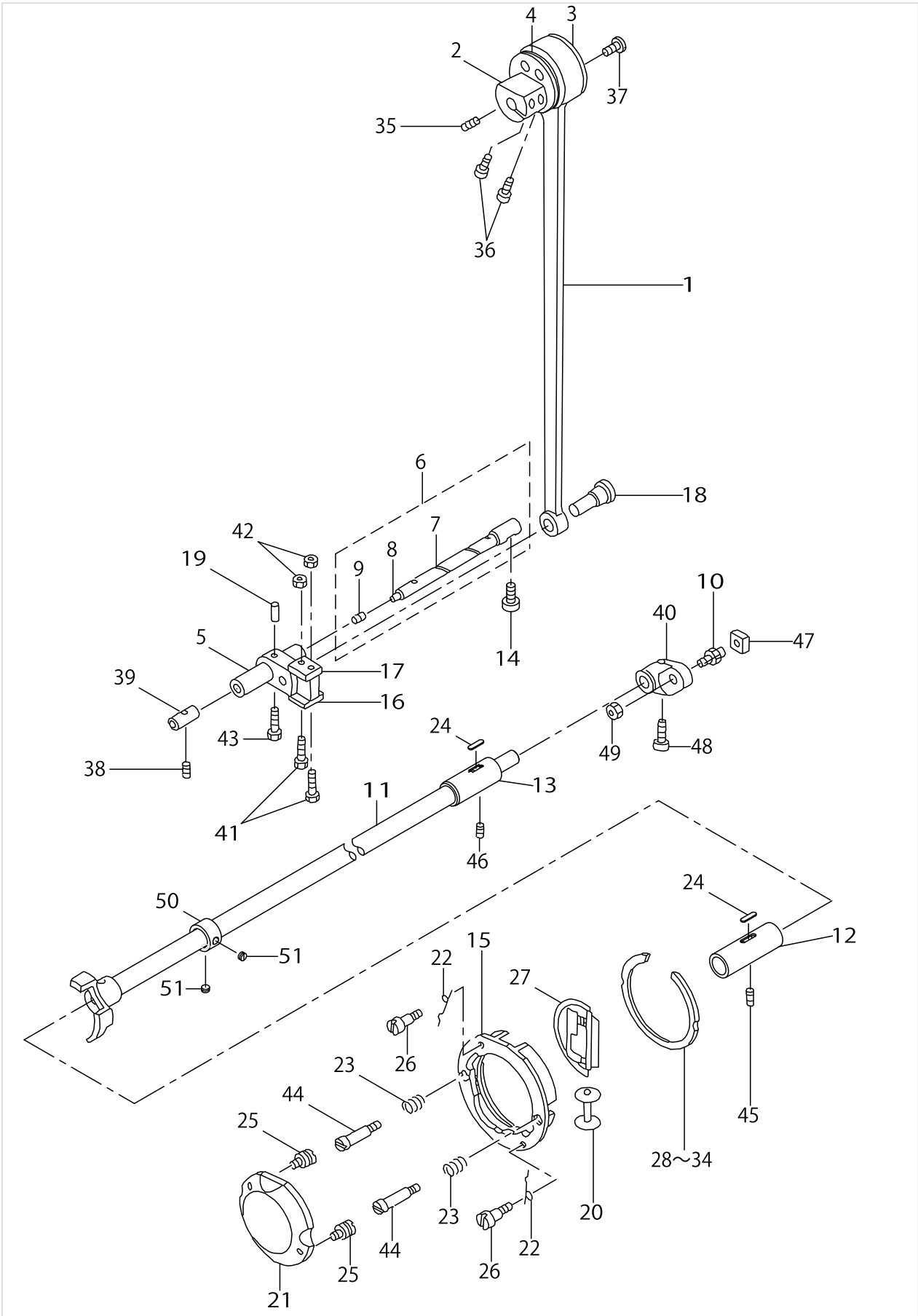
HOOK DRIVING SHAFT COMPONENTS



HOOK DRIVING SHAFT COMPONENTS

No.	Parts No.	Parts name	Remarks	Level	Cons	Qty
1	21055504	CONNECTING ROD				1
2	21055603	CON-ROD ECCENTRIC CAM				1
3	21055702	CAM SLIDE PLATE				1
4	21057609	CAGE & ROLLER				1
5	21055801	OSCILATING ROCK SHAFT				1
6	21154059	OSCILATING ROCK SHAFT ASM.				1
7	21154000	HINGE PIN		*		1
8	CQ303000000	OIL WICK		*		0.1
9	TA0290301M0	RUBBER PLUG		*		1
10	21056312	ROLLER STUD				1
11	40183642	HOOK_DRIVING_SHAFT_ASM				1
12	21183207	BUSHING, FRONT				1
13	21183306	BUSHING, REAR				1
14	SS6151142TP	SCREW 15/64-28 L=10.5				1
15	21154703	SHUTTLE RACE BODY				1
16	21057005	SLIDE PLATE A				1
17	21057104	SLIDE PLATE B				1
18	21057203	CON-ROD PIN				1
19	21057302	CON-ROD PIN WEDGE				1
20	21057401	BOBBIN				1
21	21154802	HOOK COVER				1
22	21154901	HOOK COVER SPRING				2
23	21057500	HOOK COUNTER SPRING				2
24	B1806038000	OIL FELT				2
25	21155007	SCREW				2
26	SD0260271SP	HINGE SCREW D= 2.60 H= 2.7				2
27	21041850	HOOK ASM.				1
28	21155106	MIKAZUKI (1)	SELECTIVE PARTS			1
29	21155205	MIKAZUKI (2)	SELECTIVE PARTS			1
30	21155304	MIKAZUKI (3)	SELECTIVE PARTS			1
31	21155403	MIKAZUKI (4) STANDARD	SELECTIVE PARTS			1
32	21155502	MIKAZUKI (5)	SELECTIVE PARTS			1
33	21155601	MIKAZUKI (6)	SELECTIVE PARTS			1
34	21155700	MIKAZUKI (7)	SELECTIVE PARTS			1
35	SS8151550SP	SCREW 15/64-28 L=15				1
36	SM6081802TP	SCREW				2
37	SS7110830SP	SCREW 11/64-40 L= 7.5				2
38	SS8150750SP	SCREW 15/64-28 L=7				1
39	21154109	ROCK SHAFT BUSHING				1
40	21154216	OSCILLATOR				1
41	21057708	SCREW				2
42	NS6110420SP	NUT 11/64-40				2
43	SS7621510SP	SCREW				1
44	21057906	SCREW				2
45	SS8151550SP	SCREW 15/64-28 L=15				1
46	SS8151550SP	SCREW 15/64-28 L=15				1
47	21056205	CRANK SLIDE BLOCK				1

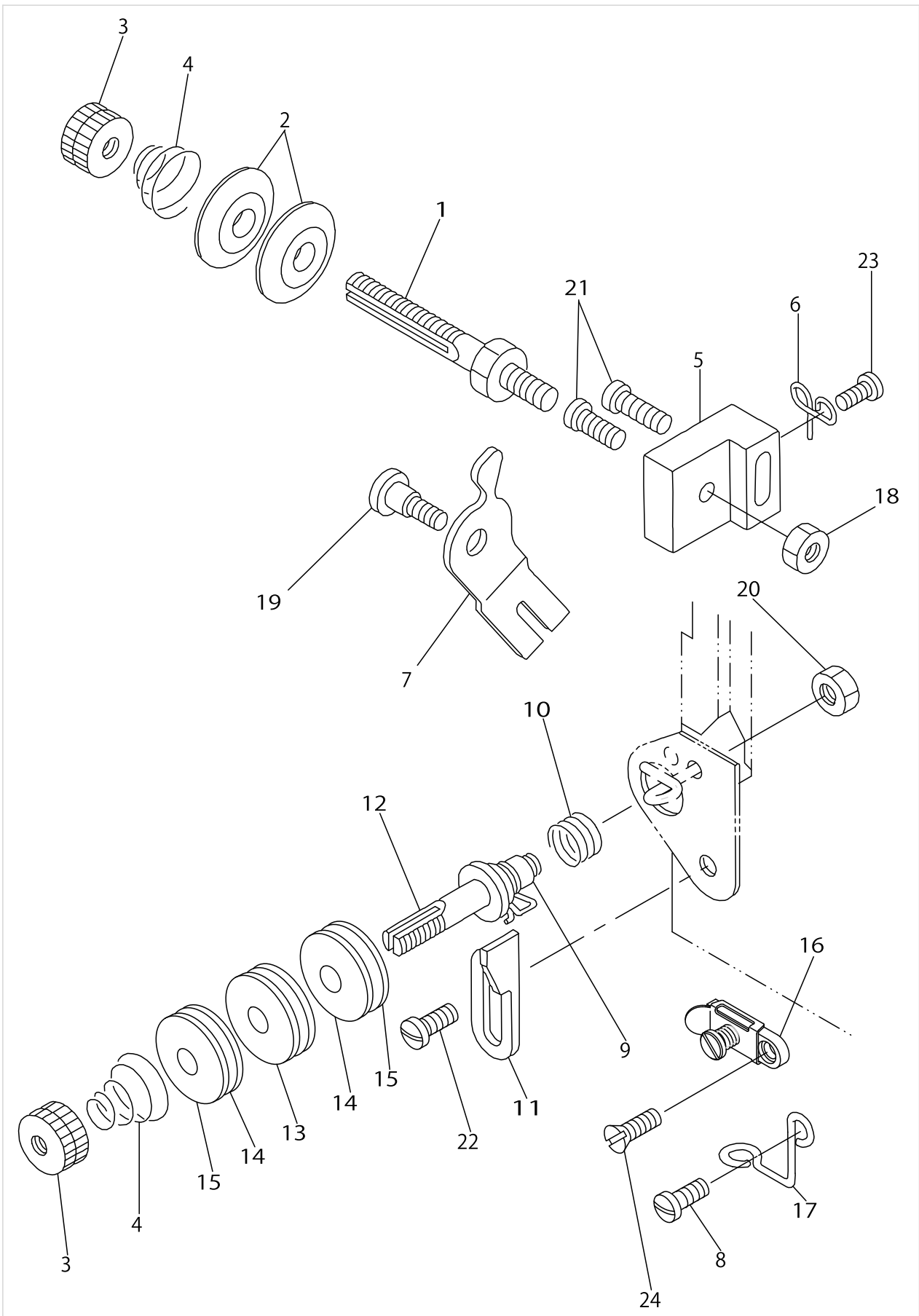
HOOK DRIVING SHAFT COMPONENTS



HOOK DRIVING SHAFT COMPONENTS

No.	Parts No.	Parts name	Remarks	Level	Cons	Qty
48	SM6081802TP	SCREW				1
49	NS6680320SP	NUT 9/32-28				1
50	22904106	MAIN SHAFT THRUST COLLAR				1
51	SS8660330SP	SCREW 1/4-40 L= 3.0				2

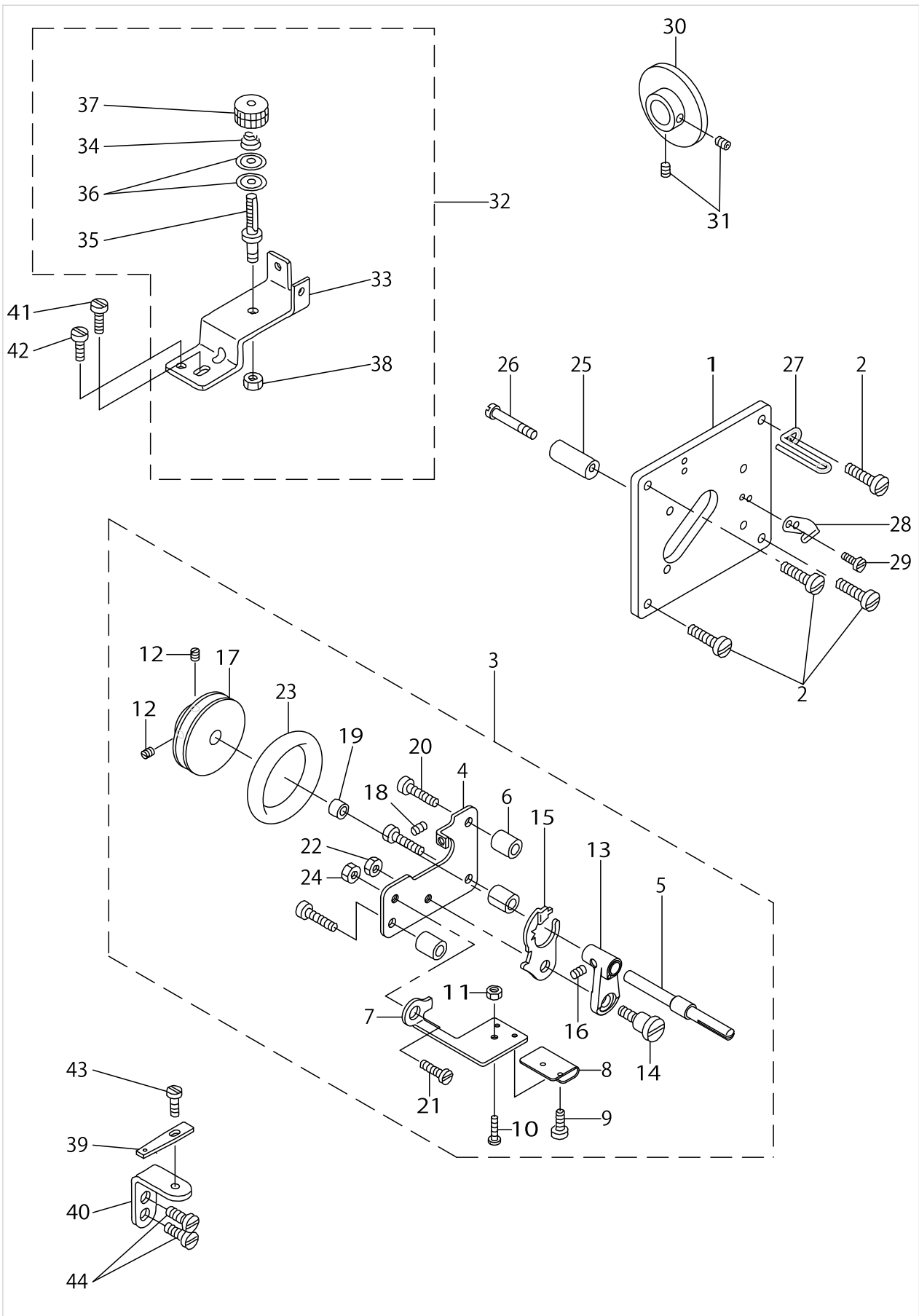
TENSION POST COMPONENTS



TENSION POST COMPONENTS

No.	Parts No.	Parts name	Remarks	Level	Cons	Qty
1	21059001	THREAD TENSION POST				1
2	B3126012000	THREAD TENSION DISK				2
3	B3125012000	THREAD TENSION NUT				2
4	21059100	THREAD TENSION SPRING				2
5	21059209	THREAD TENSION POST BRACKET				1
6	21059308	THREAD TENSION GUIDE				1
7	21059407	THREAD RELEASING PLATE				1
8	SS7090710SP	SCREW 9/64-40 L= 6.8				1
9	21059605	SPRING A				1
10	21059704	THREAD TAKE-UP SPRING GUIDE				1
11	21059803	SPRING SUPPORT PLATE				1
12	21059902	THREAD TENSION WHEEL POST				1
13	21060009	THREAD TENSION WHEEL				1
14	21060108	WHEEL FELT				2
15	21060207	FELT SUPPORT PLATE				2
16	21161153	ARM THREAD GUIDE ASM., LOWER				1
17	B1131562000	FRAME THREAD GUIDE, LOWER				1
18	NS6680320SP	NUT 9/32-28				1
19	SD0600321SP	HINGE SCREW D=6 H=3.2				1
20	NS6150310SP	NUT 15/64-28				1
21	SS7111120SP	SCREW 11/64-40 L=10.5				2
22	SS7090610SP	SCREW 9/64-40 L=6				1
23	SS7090710SP	SCREW 9/64-40 L= 6.8				1
24	SS1090410SL	SCREW 9/64-40 L=4				1

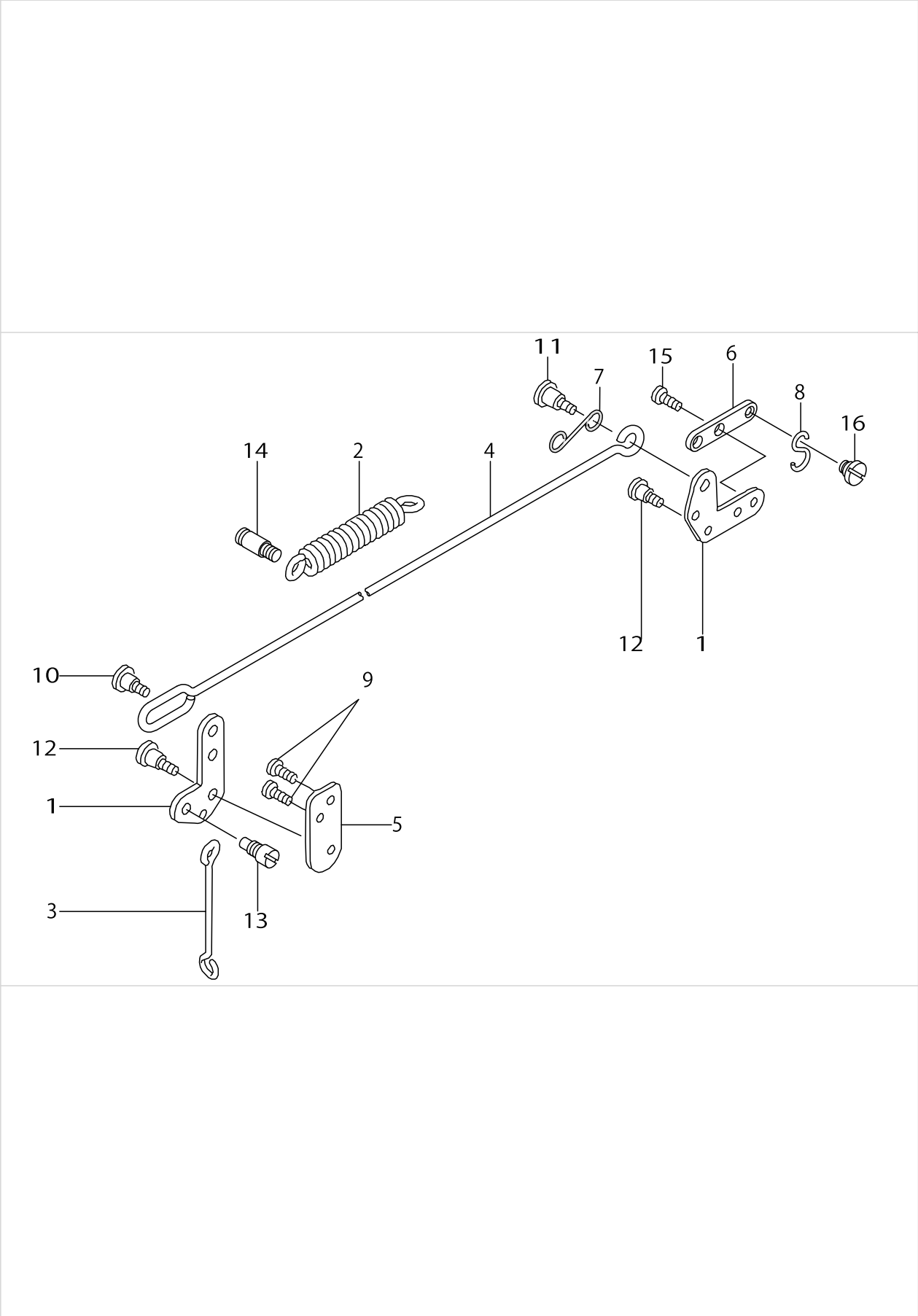
THREAD WINDER & THREAD GUIDE COMPONENTS



THREAD WINDER & THREAD GUIDE COMPONENTS

No.	Parts No.	Parts name	Remarks	Level	Cons	Qty
1	21067905	THREAD WINDOW PLATE				1
2	SS7111120SP	SCREW 11/64-40 L=10.5				4
3	21061056	THREAD WINDER ASM.				1
4	B3201158000	THREAD WINDER BASE		*		1
5	21061015	BOBBIN WINDER SPINDLE		*		1
6	B3203158000	WASHER		*		3
7	21061106	BOBBIN PRESSER		*		1
8	21061205	BOBBIN PRESSURE SPRING		*		1
9	SS5060410SP	SCREW 3/32-56 L=3.5		*		2
10	SS7081310SP	SCREW 1/8-44 L=12.5		*		1
11	NS6080210SP	NUT 1/8-44		*		1
12	SS8110510SP	SCREW 11/64-40 L=5		*		2
13	B3204232000	BOBBIN WINDER FRAME		*		1
14	B3205232000	HINGE SCREW,		*		1
15	B3206232000	BOBBIN WINDER TENSION BRACKET		*		1
16	B3208232000	SPRING		*		1
17	B3211210000	BOBBIN WINDER WHEEL		*		1
18	A3222958000	BOBBIN WINDER SPRING, LONG		*		1
19	B3207158000A	THREAD WIDING SHAFT COLLAR		*		1
20	SS7111810SP	SCREW 11/64-40 L=18		*		3
21	SD0720193SP	HINGE SCREW D= 7.24 H= 1.9		*		1
22	NS6110310SP	NUT 11/64-40		*		1
23	B3212210000	FRICITION WHEEL		*		1
24	NS6110310SP	NUT 11/64-40		*		1
25	21061403	STOPPER				1
26	SS7112810SP	SCREW 11/64-40 L=28				1
27	21184007	TENSION THREAD GUIDE, B				1
28	10502300	THREAD CUTTER				1
29	SS6080410SP	SCREW 1/8-44 L=4				2
30	21061601	FRICTION WHEEL				1
31	SS8150710SP	SCREW 15/64-28 L=7				2
32	21061759	THREAD WINDER GUIDE BASE ASM.				1
33	21061700	THREAD WINDER GUIDE BASE		*		1
34	B3129012B00	THREAD TENSION SPRING		*		1
35	21059001	THREAD TENSION POST		*		1
36	B3126012000	THREAD TENSION DISK		*		1
37	B3125012000	THREAD TENSION NUT		*		1
38	NS6680320SP	NUT 9/32-28		*		1
39	B2510158000	THREAD WINDER THREAD GUIDE				1
40	21061908	GUIDE BRACKET				1
41	SS7110910SP	SCREW 11/64-40 L=8.5				1
42	SS4080610SP	SCREW 1/8-44 L=6.4				1
43	SS7090710SP	SCREW 9/64-40 L= 6.8				1
44	SS7151120SP	SCREW 15/64-28 L=11				2

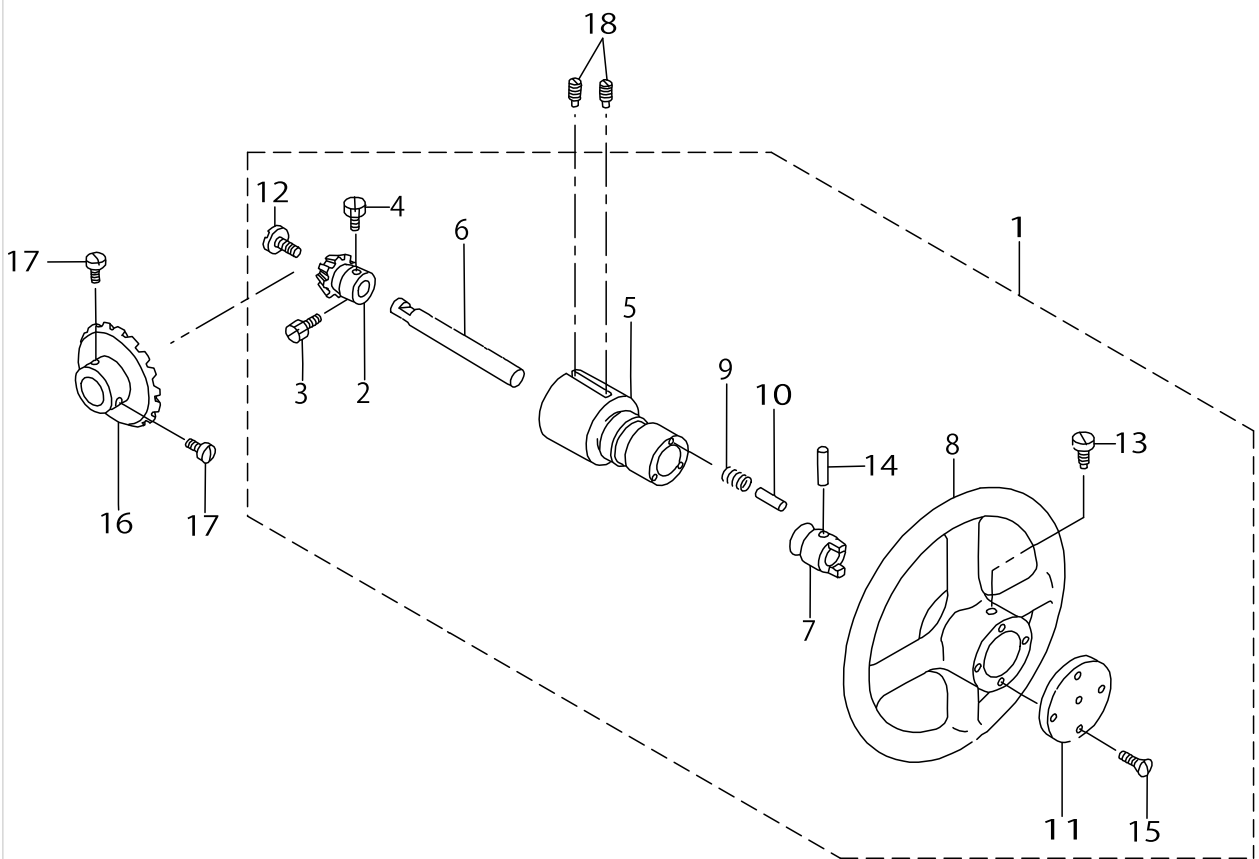
KNEE LIFTER COMPONENTS



KNEE LIFTER COMPONENTS

No.	Parts No.	Parts name	Remarks	Level	Cons	Qty
1	21062807	PRESSER BAR LIFTING LINK				2
2	B1342591000	PRESSER BAR LIFTING ARM SPRING				1
3	21062500	PRESSER BAR LIFTING BAR				1
4	21184106	LIFTING LEVER CONNECTING ROD				1
5	21062708	LINK BASE				1
6	21156104	LINK PLATE				1
7	21184205	SPRING BRACKET, B				1
8	21157607	S-PLUG				1
9	SS7150740SP	SCREW 15/64-28 L=7				2
10	SD0790431SP	HINGE SCREW D= 7.94 H= 4.3				1
11	SD0790602SP	HINGE SCREW D= 7.94 H= 6				1
12	SD0790431SP	HINGE SCREW D= 7.94 H= 4.3				2
13	21062609	HINGE SCREW				1
14	B3413227000	SPRING SUSPENSION				1
15	SS7150740SP	SCREW 15/64-28 L=7				2
16	SD0800341SP	HINGE SCREW D=8 H=3.4				1

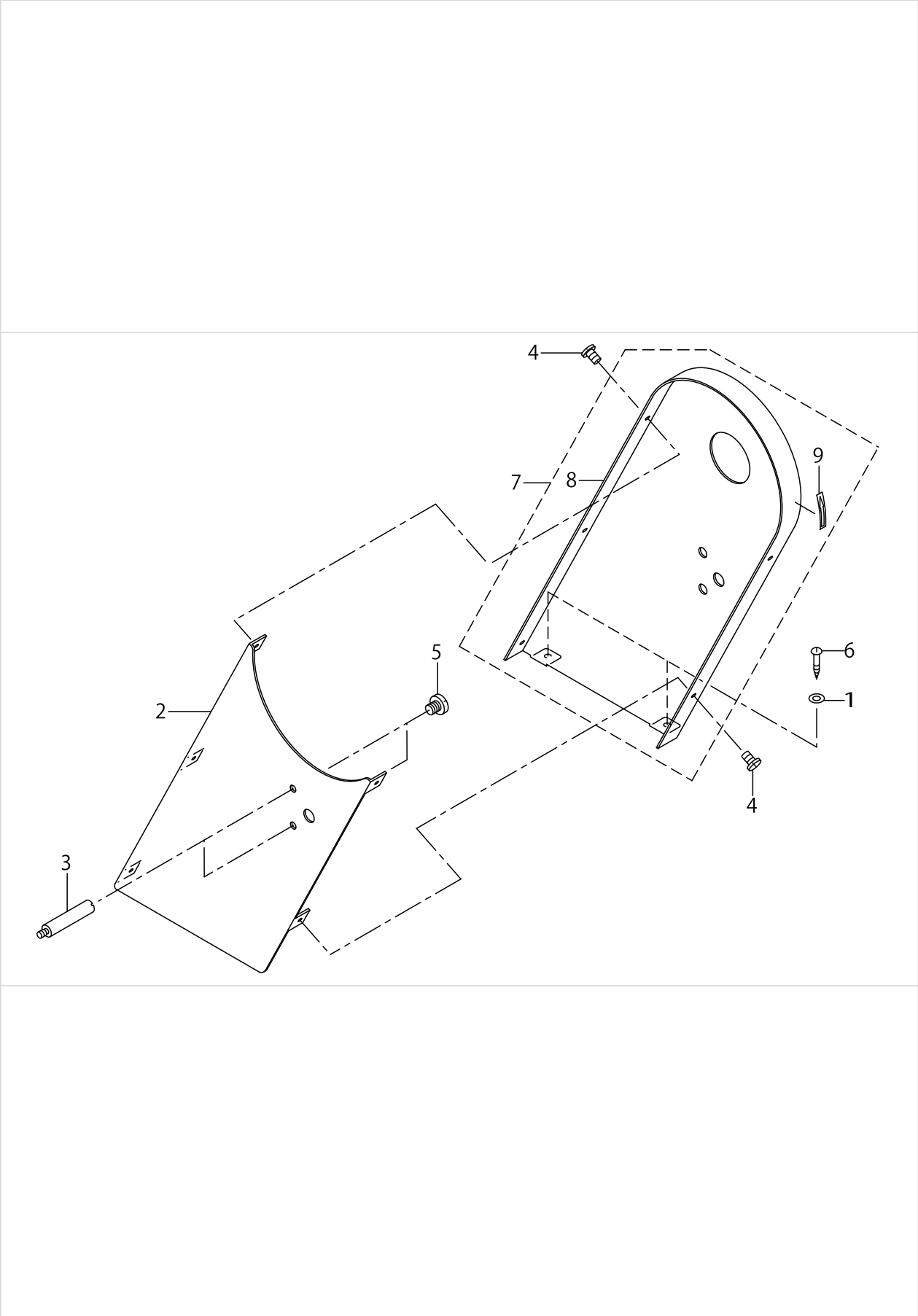
AUXILIARY HAND WHEEL COMPONENTS



AUXILIARY HAND WHEEL COMPONENTS

No.	Parts No.	Parts name	Remarks	Level	Cons	Qty
1	21184650	HAND WHEEL ASM.				1
2	21184908	GEAR		*		1
3	SS9660910SP	SCREW 1/4-40 L=9.4		*		1
4	SS9660720SP	SCREW 1/4-40 L=7		*		1
5	21184809	BUSHING		*		1
6	21184700	SHAFT		*		1
7	B1297057000	COLLAR		*		1
8	B129905700A	HAND WHEEL		*		1
9	B1290057B00	SPRING		*		3
10	B1290057A00	PIN		*		3
11	B1296057000	THRUST PLATE		*		1
12	SS7680870SP	SCREW 9/32 L= 8.0		*		1
13	SS7110610SM	SCREW 11/64-40 L=6		*		1
14	PS0400202KH	SPRING PIN 4X20		*		1
15	SS2090710SP	SCREW 9/64-40 L=7		*		4
16	21182001	MAIN SHAFT GEAR				1
17	SS9661230CP	SCREW 1/4-40 L=12				2
18	SS8681130SP	SCREW 9/32-28 L=11				2

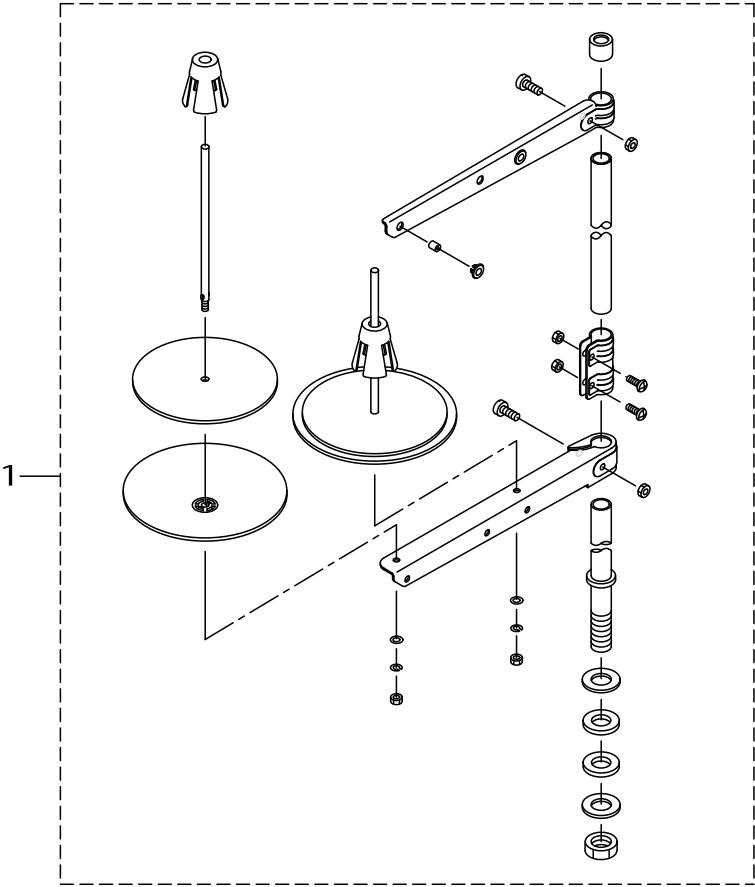
BELT COVER COMPONENTS



BELT COVER COMPONENTS

No.	Parts No.	Parts name	Remarks	Level	Cons	Qty
1	WP0501016SC	WASHER 5X10.5X1				2
2	21193305	BELT COVER B				1
3	21185301	STUD				2
4	SS6110480SP	SCREW 11/64-40 L=4.3				5
5	SS7150740SP	SCREW 15/64-28 L=7				2
6	SK3482500SC	WOOD SCREW D=4.8 L=25				2
7	21193263	BELT COVER A COMPL.				1
8	21193255	BELT COVER A COMPL.		*		1
9	CM500300001	DIRECTION LABEL		*		1

THREAD STAND COMPONENTS



THREAD STAND COMPONENTS

No.	Parts No.	Parts name	Remarks	Level	Cons	Qty
1	40096354	THREAD STAND ASM.				1

TABLE COMPONENTS

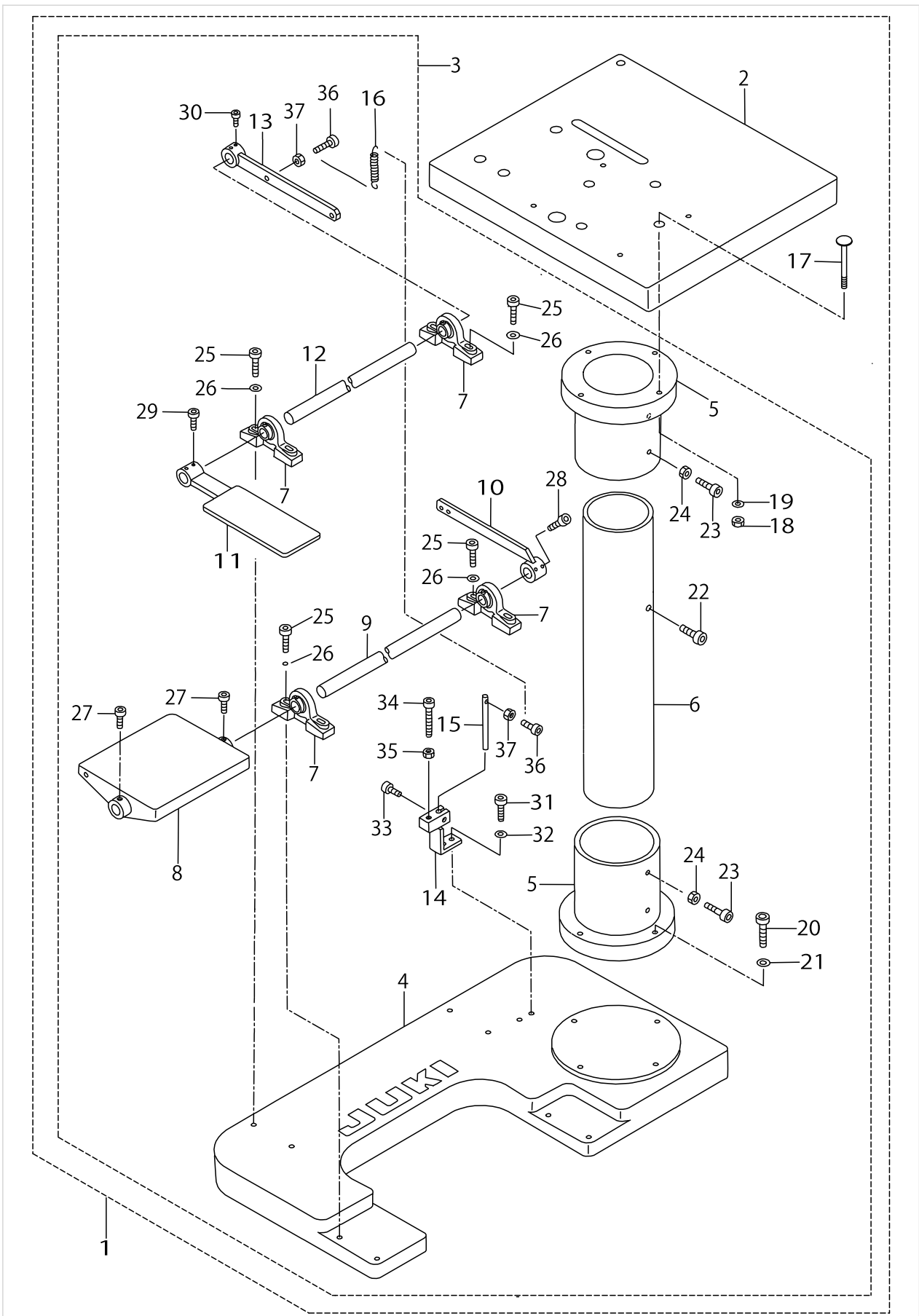
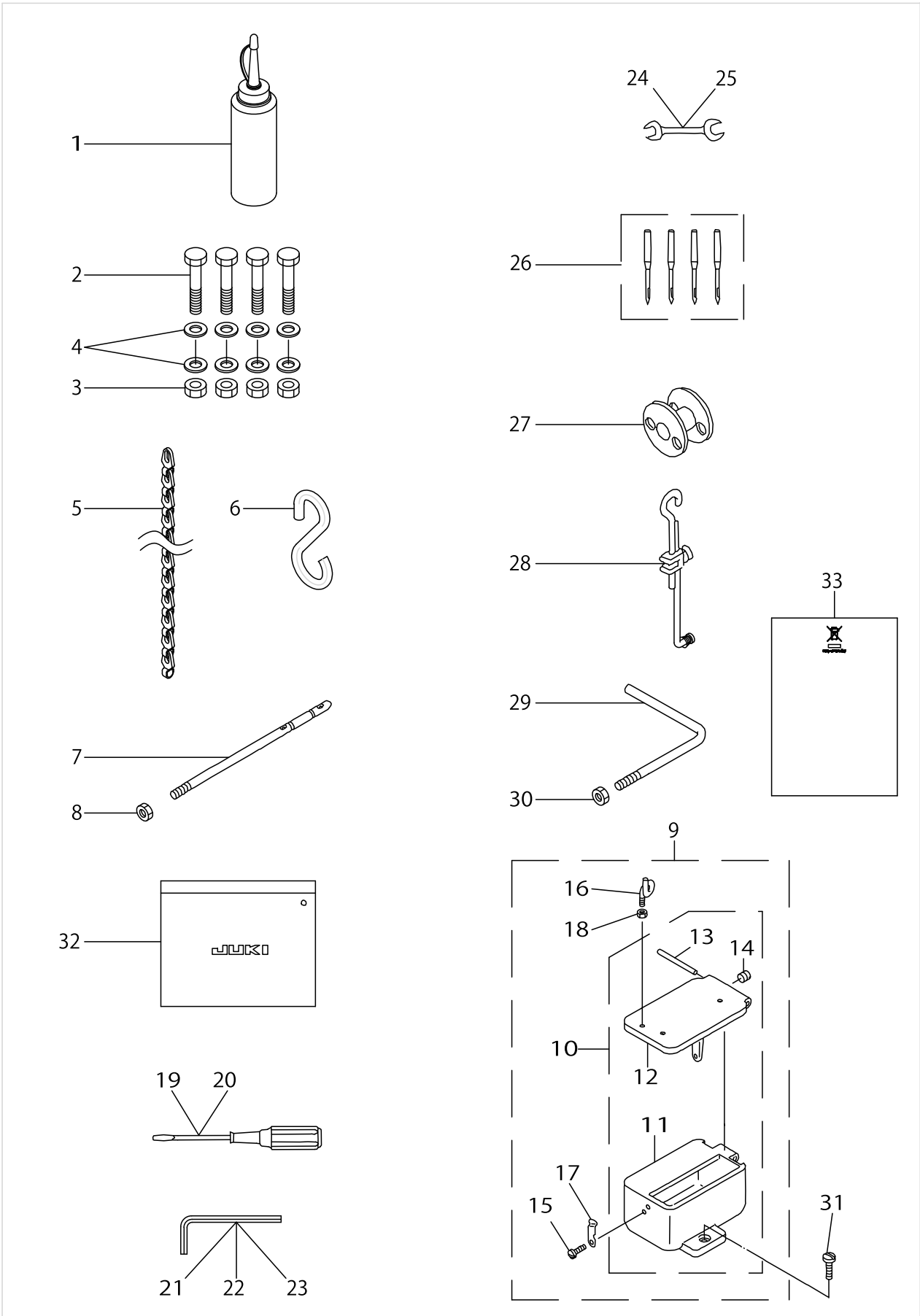


TABLE COMPONENTS

No.	Parts No.	Parts name	Remarks	Level	Cons	Qty
1	21193552	THREAD STAND ASM.				1
2	21193404	TABLE		*		1
3	21188057	STAND ASM.		*		1
4	21188008	BASE		*		1
5	21188107	FLANGE		*		2
6	21188206	STUD		*		1
7	21188305	PILLOW BLOCK		*		4
8	40114102	PEDAL UNIT		*		1
9	21188503	SHAFT		*		1
10	21188602	ARM		*		1
11	21188701	PRESSER BAR LIFTING PEDAL		*		1
12	21188800	PRESSER BAR LIFTING PIN		*		1
13	21188909	PRESSER BAR LIFTING ARM		*		1
14	21189006	BASE		*		1
15	21189105	SPRING BRACKET		*		1
16	B1342591000	PRESSER BAR LIFTING ARM SPRING		*		1
17	21189212	BOLT		*		4
18	NM6080006SB	NUT M8		*		4
19	WP0851846SC	WASHER 8.5X22.0X1.8		*		4
20	SM6124002TP	SCREW M12 L=40		*		4
21	WP1202016SD	WASHER 12X21X2		*		4
22	SM6060802TP	SCREW M6 L=8		*		1
23	SM6123002TP	SCREW M12 L=30		*		4
24	NM6120000SD	NUT M12		*		4
25	SM6103502TP	SCREW M10 L=35		*		8
26	WP1102016SC	WASHER 11X21X2		*		8
27	SM6061552TP	SCREW M6 L=15		*		2
28	SM6061552TP	SCREW M6 L=15		*		2
29	SM6061552TP	SCREW M6 L=15		*		2
30	SM6061552TP	SCREW M6 L=15		*		2
31	SM6061552TP	SCREW M6 L=15		*		2
32	WP0650876SD	WASHER 6.5X13X0.8		*		2
33	SM6062202TP	BOLT		*		1
34	SM6125002TP	SCREW		*		1
35	NM6120000SD	NUT M12		*		1
36	SM6051552TP	SCREW M5 L=15		*		2
37	NM6050001SP	NUT M5		*		2

ACCESSORIES PARTS COMPONENTS



ACCESSORIES PARTS COMPONENTS

No.	Parts No.	Parts name	Remarks	Level	Cons	Qty
1	B91212200A0	OILER (CONTAINING NO.2 OIL)				1
2	SM91200D3SF	SCREW				4
3	NM6120011SF	NUT M12				4
4	WP1402303SF	PLAIN WASHER				8
5	21157508	CHAIN				1
6	21157607	S-PLUG				1
7	40052262	THREAD GUIDE PIN				2
8	NS6620310SP	NUT 3/16-32				2
9	21068556	OIL POT ASM.				1
10	21068564	OIL POT ASM.		*		1
11	21064803	OIL POT		*		1
12	21064704	OIL POT COVER		*		1
13	PH0400402C0	PARALLEL PIN		*		1
14	SS8090410SP	SCREW 9/64-40 L= 3.5		*		1
15	SS7090710SP	SCREW 9/64-40 L= 6.8		*		1
16	B3114761000	FRAME THREAD GUIDE B		*		1
17	21064902	COVER STOPPER		*		1
18	NS6060350SP	NUT 3/32-56		*		1
19	22933006	SCREW DRIVER,LARGE				1
20	12347308	SCREW DRIVER (SMALL)				1
21	J106600000G	HEXAGONAL WRENCH KEY				1
22	J106600000F	HEXAGONAL WRENCH KEY				1
23	B9141372000	HEXAGONAL WRENCH, LARGE				1
24	26034702	WRENCH				1
25	B9113012000	WRENCH (9X10)				1
26	MC532002304	NEEDLE (794 NM=230-4)				1
27	21057401	BOBBIN				3
28	B71140120A0	MOTOR CONNECTING ROD ASM.	H & M ONLY			1
29	21064605	SUPPORTING ARM	OPTIONAL PARTS			1
30	NS6150430SP	NUT 15/64-28	OPTIONAL PARTS			1
31	SS7151210SP	SCREW 15/64-28 L=12				1
32	22932800	ACCESSORIE BAG				1
33	CM600100201	WEEE INFORMATION SHEET				1

HOW TO MAKE USE OF THIS PARTS LIST

1.Explanation of codes

1)"*"mark.....means this part is changed from the previous parts book.

As to the details of the change, refer to the "List for information of change".

2)"#01".....refer to "Note" explanation at bottom of page.

2.Codes on the "Qty" column

- Each numeral indicates the number of parts required.
- "0.1" and "2.5" indicate the length (in meters) of the respective parts.

3.Parentheses mean that the corresponding part is a subpart that constructs an assembly part.

4.Dotted lines on the Figures indicate assembly parts.

1."注記"欄の記号説明

1) "*"印.....前回のパーツブックに比較して今回変更された部品を意味します。

変更内容は、"変更情報リスト"を参照してください。

2) "#01".....ページ下の"注記"の説明を参照してください。

2.数量欄の数字は、個数を表し、0.1、2.5等の数値は、長さ（単位メートル）を表します。

3.数量欄の（ ）は、組部品を構成している子部品であることを意味します。

4.イラストページの-----枠は、組構成であることを意味します。

NUMERICAL INDEX OF PARTS

PART NO	PAGE	REF NO.	PART NO	PAGE	REF NO.	PART NO	PAGE	REF NO.
10502300	20	28	21055603	14	2	21064902	32	17
12347308	32	20	21055702	14	3	21067905	20	1
21026901	12	23	21055801	14	5	21068556	32	9
21041850	14	27	21056205	14	47	21068564	32	10
21045109	4	9	21056312	14	10	21091707	4	8
21045406	4	11	21057005	14	16	21091806	4	25
21045505	4	14	21057104	14	17	21092002	6	1
21045604	4	10	21057203	14	18	21092101	6	2
21046008	4	26~ 28·33	21057302	14	19	21092200	6	3
21046107	4	26~ 28·33	21057401	14	20	21092309	6	4
21046206	4	26~ 28·33	21057401	32	27	21092408	6	6
21046313	4	29	21057500	14	23	21092804	6	9
21048707	6	51	21057609	14	4	21093000	6	12
21048707	8	51	21057708	14	41	21093208	6	15
21049309	6	41	21057906	14	44	21093307	6	16
21049408	6	42	21059001	18	1	21093406	6	17
21049515	6	43	21059001	20	35	21093505	6	18
21049606	6	44	21059100	18	4	21093604	6	19
21049705	6	45	21059209	18	5	21093901	8	52
21049804	6	46	21059308	18	6	21094008	8	53
21049903	6	47	21059407	18	7	21094107	8	54
21050000	8	48	21059514	2	26	21094701	8	55
21050109	8	49	21059605	18	9	21094800	8	56
21050505	10	1	21059704	18	10	21094909	8	57
21050604	10	2	21059803	18	11	21095005	10	5
21050703	10	3	21059902	18	12	21095104	10	10
21050802	10	4	21060009	18	13	21095153	10	9
21051008	10	6	21060108	18	14	21096359	2	1
21051107	10	7	21060207	18	15	21097506	10	11
21051206	10	8	21061015	20	5	21097605	2	24
21051305	10	12	21061056	20	3	21148507	2	2
21051404	10	13	21061106	20	7	21151402	4	13
21051503	10	14	21061205	20	8	21151907	12	1
21051602	10	15	21061403	20	25	21152004	12	2
21051701	10	16	21061601	20	30	21152707	12	9
21051800	10	17	21061700	20	33	21152806	12	11
21054408	12	16	21061759	20	32	21152905	12	13
21054507	12	15	21061908	20	40	21153705	12	19
21054606	12	12	21062500	22	3	21153804	12	20
21054705	12	17	21062609	22	13	21153903	12	21
21054804	12	18	21062708	22	5	21154000	14	7
21054903	12	22	21062807	22	1	21154059	14	6
21055504	14	1	21064605	32	29	21154109	14	39
			21064704	32	12	21154216	14	40
			21064803	32	11	21154703	14	15

NUMERICAL INDEX OF PARTS

PART NO	PAGE	REF NO.	PART NO	PAGE	REF NO.	PART NO	PAGE	REF NO.
21154802	14	21	21184809	24	5	B1297057000	24	7
21154901	14	22	21184908	24	2	B129905700A	24	8
21155007	14	25	21185301	26	3	B1342591000	22	2
21155106	14	28~34	21188008	30	4	B1342591000	30	16
21155205	14	28~34	21188057	30	3	B1424158000	6	36
21155304	14	28~34	21188107	30	5	B1424158000	12	24
21155403	14	28~34	21188206	30	6	B1617241H00	12	25
21155502	14	28~34	21188305	30	7	B1618241H00	12	26
21155601	14	28~34	21188503	30	9	B1619241H00	12	10
21155700	14	28~34	21188602	30	10	B1662562000	10	25
21156104	22	6	21188701	30	11	B1806038000	14	24
21157508	32	5	21188800	30	12	B2510158000	20	39
21157607	22	8	21188909	30	13	B3114761000	32	16
21157607	32	6	21189006	30	14	B3125012000	18	3
21160205	2	6	21189105	30	15	B3125012000	20	37
21160304	2	20	21189212	30	17	B3126012000	18	2
21161153	18	16	21192703	2	3	B3126012000	20	36
21161617	6	10	21192802	2	4	B3129012B00	20	34
21161708	6	11	21192901	2	5	B3201158000	20	4
21161807	6	14	21193057	4	2	B3203158000	20	6
21162300	12	14	21193255	26	8	B3204232000	20	13
21180609	2	7	21193263	26	7	B3205232000	20	14
21181102	4	1	21193305	26	2	B3206232000	20	15
21181300	4	3	21193404	30	2	B3207158000A	20	19
21181409	4	4	21193552	30	1	B3208232000	20	16
21181508	4	5	22901805	2	22	B3211210000	20	17
21181607	4	6	22904106	12	42	B3212210000	20	23
21181706	4	7	22904106	16	50	B3413227000	22	14
21181805	4	12	22932800	32	32	B71140120A0	32	28
21181904	6	40	22933006	32	19	B9113012000	32	25
21182001	24	16	26034702	32	24	B91212200A0	32	1
21182100	6	7	40027078	4	26~ 28·33	B9141372000	32	23
21182209	6	8	40039624	12	5	CM300200001	2	23
21182308	12	8	40052262	32	7	CM301200002	2	21
21182506	12	6	40096354	28	1	CM500300001	26	9
21182605	12	7	40114102	30	8	CM600100201	32	33
21182704	12	3	40183642	14	11	CQ202000000	4	16
21182803	12	4	A3222958000	20	18	CQ202000000	6	39
21183207	14	12	A3243997C00	2	9	CQ303000000	14	8
21183306	14	13	B1131562000	18	17	CS1111019SH	12	43
21184007	20	27	B1152051000	2	19	CS1801211SH	6	20
21184106	22	4	B1290057A00	24	10	D2446141E00	6	28
21184205	22	7	B1290057B00	24	9	J106600000F	32	22
21184650	24	1	B1296057000	24	11	J106600000G	32	21
21184700	24	6				MC532002300	6	5

NUMERICAL INDEX OF PARTS

PART NO	PAGE	REF NO.	PART NO	PAGE	REF NO.	PART NO	PAGE	REF NO.
MC532002304	32	26	SM6061650TP	6	32	SS7111120SP	6	34
NM6050001SP	30	37	SM6061802TP	12	32	SS7111120SP	18	21
NM6080006SB	30	18	SM6062202TP	30	33	SS7111120SP	20	2
NM6120000SD	30	35	SM6081802TP	6	60	SS7111810SP	20	20
NM6120011SF	32	3	SM6081802TP	8	60	SS7112810SP	20	26
NS6060350SP	32	18	SM6081802TP	14	48	SS7120910SP	2	17
NS6080210SP	20	11	SM6081802TP	16	48	SS7150740SP	2	25
NS6090310SP	10	22	SM6082502TP	6	26	SS7150740SP	12	38
NS6110310SP	20	24	SM6103502TP	30	25	SS7150740SP	22	15
NS6110420SP	14	42	SM6123002TP	30	23	SS7150740SP	26	5
NS6150310SP	18	20	SM6124002TP	30	20	SS7151120SP	6	35
NS6150430SP	32	30	SM6125002TP	30	34	SS7151120SP	20	44
NS6160520SP	12	28	SM8061212TP	6	33	SS7151210SP	32	31
NS6620310SP	32	8	SM91200D3SF	32	2	SS7151550SP	6	24
NS6680320SP	16	49	SS1090410SL	18	24	SS7621040SP	10	24
NS6680320SP	18	18	SS1681140SP	4	21	SS7621510SP	14	43
NS6680320SP	20	38	SS2090710SP	24	15	SS7680870SP	24	12
NS6680410SP	4	32	SS2110915SP	4	24	SS8090410SP	32	14
NS6680410SP	12	35	SS4080610SP	20	42	SS8110510SP	20	12
NS6720440SP	8	61	SS5060410SP	20	9	SS8150410SP	10	19
PH0400402C0	32	13	SS6080410SP	20	29	SS8150710SP	4	23
PS0300201KP	10	26	SS6110480SP	26	4	SS8150710SP	6	62
PS0400202KH	24	14	SS6110610TP	12	39	SS8150710SP	8	62
PS0500452KP	2	10	SS6110710TP	6	30	SS8150710SP	20	31
PT0405600SH	4	20	SS6121210SP	10	20	SS8150750SP	12	40
RE0400000K0	4	31	SS6121610TP	12	36	SS8150750SP	14	38
RE0700000K0	6	37	SS6151142TP	14	14	SS8151150SP	12	41
RE0700000K0	12	33	SS6151920SP	2	11	SS8151550SP	4	17
RE0800000K0	6	65	SS6621840SP	12	37	SS8151550SP	14	46
RE0800000K0	8	65	SS6660622TP	10	23	SS8660330SP	12	34
RE0800000K0	12	30	SS7081310SP	20	10	SS8660330SP	16	51
SD0260271SP	14	26	SS7090610SP	18	22	SS8660512TP	6	31
SD0600321SP	18	19	SS7090710SP	2	12	SS8660512TP	10	18
SD0630241SD	2	15	SS7090710SP	18	23	SS8660610TP	4	18
SD0720193SP	20	21	SS7090710SP	20	43	SS8660610TP	8	58
SD0790431SP	22	12	SS7090710SP	32	15	SS8660612TP	4	19
SD0790602SP	22	11	SS7091110SP	2	13	SS8660810TP	6	21
SD0790801SP	12	27	SS7091410SP	10	21	SS8681130SP	24	18
SD0800341SP	22	16	SS7110540SP	8	66	SS9660720SP	24	4
SD1070901TP	4	30	SS7110610SM	24	13	SS9660910SP	24	3
SK3482500SC	26	6	SS7110830SP	14	37	SS9661230CP	24	17
SM6051552TP	30	36	SS7110840SP	8	64	SS9702110SP	4	15
SM6060802TP	30	22	SS7110840SP	12	29	TA0290301M0	14	9
SM6061552TP	8	59	SS7110910SP	20	41	TA1250406R0	2	8
SM6061552TP	30	31	SS7111120SP	2	14	WP0501016SC	26	1

NUMERICAL INDEX OF PARTS

PART NO	PAGE	REF NO.
WP0621026SP	8	67
WP0650876SD	30	32
WP0851846SC	30	19
WP1102016SC	30	26
WP1202016SD	30	21
WP1402303SF	32	4
WZ0430390KP	2	18