

MODEL : DSC-246/DSC-246-4,-7

List No : 0606-04

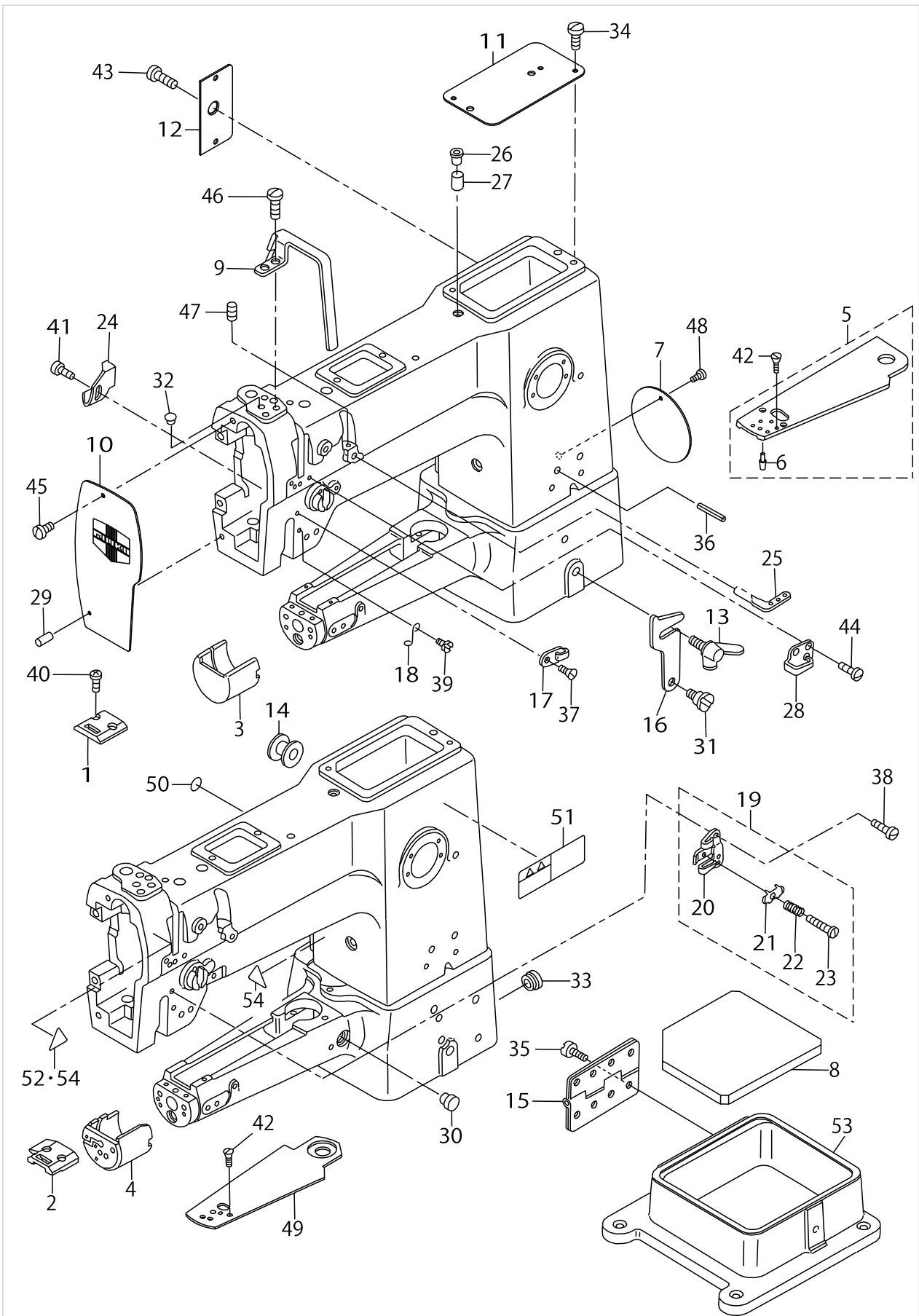
PARTS LIST

Published:09/10/2017

CONTENTS

FRAME & MISCELLANEOUS COVER COMPONENTS	1
MAIN SHAFT & ARM SHAFT COMPONENTS	5
NEEDLE BAR,THREAD TAKE-UP LEVER & PRESSER BAR COMPONENTS.....	7
FEED MECHANISM COMPONENTS.....	11
REVERSE FEED MECHANISM COMPONENTS.....	15
UPPER FEED MECHANISM & HOOK DRIVING SHAFT COMPONENTS.....	19
THREAD TRIMMER COMPONENTS	23
THREAD TENSION COMPONENTS	27
LUBRICATION COMPONENTS	31
KNEE LIFTER COMPONENTS.....	33
BELT COVER & THREAD WINDER COMPONENTS	35
THREAD STAND COMPONENTS.....	37
TABLE COMPONENTS	39
ACCESSORIES PARTS COMPONENTS	41
GAUGE COMPONENTS.....	43
LIST FOR INFOMATION OF CHANGE (1).....	45
LIST FOR INFOMATION OF CHANGE (2).....	46
HOW TO MAKE USE OF THIS PARTS LIST	47

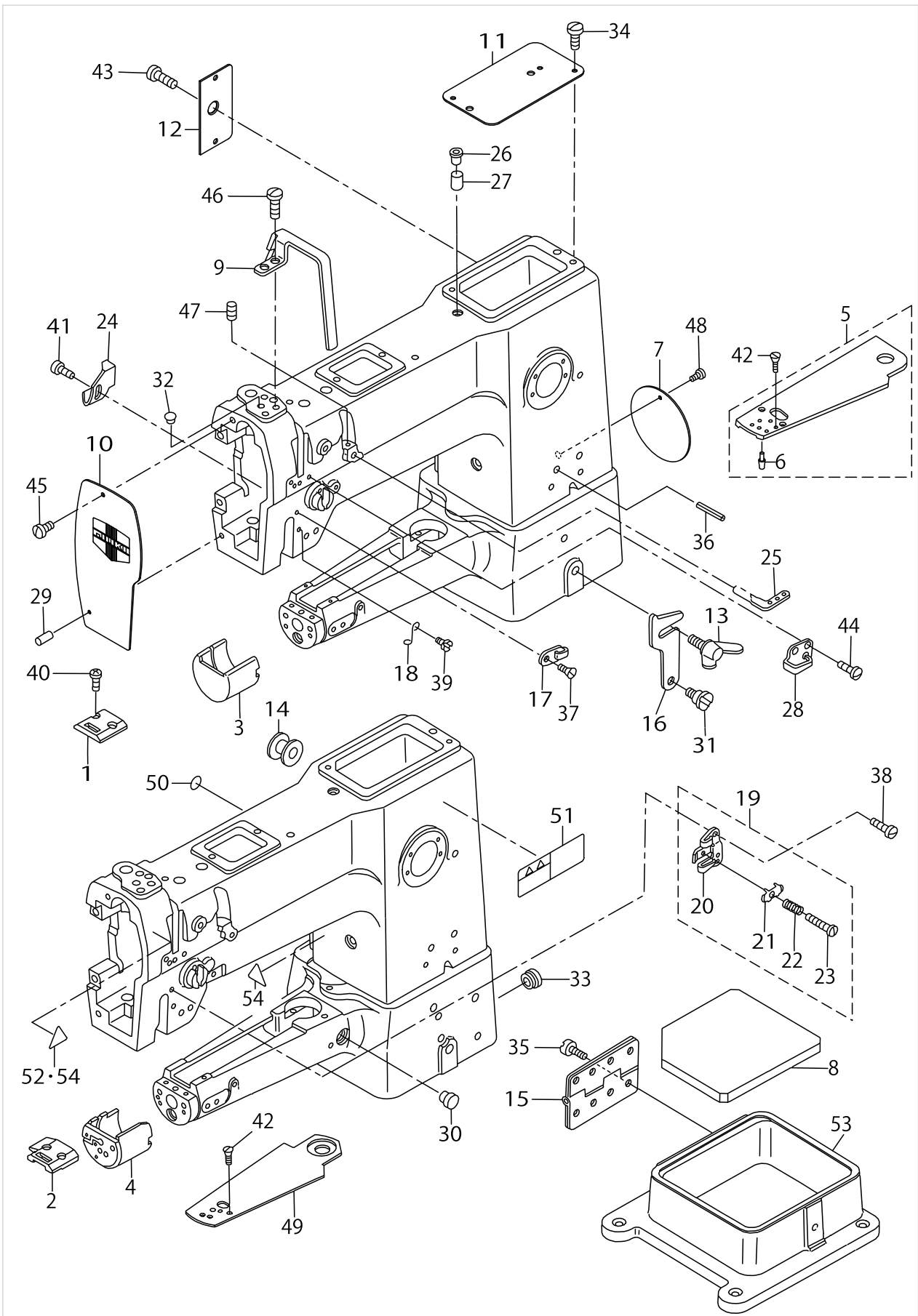
FRAME & MISCELLANEOUS COVER COMPONENTS



FRAME & MISCELLANEOUS COVER COMPONENTS

No.	Parts No.	Parts name	Remarks	Level	Cons	Qty
1	21131206	THROAT PLATE	FOR DSC-246			1
2	21132006	THROAT PLATE	FOR DSC-246-4,-7			1
3	B1171145000	HOOK COVER	FOR DSC-246			1
4	21137302	HOOK COVER	FOR DSC-246-4,-7			1
5	B11732450A0	TOP COVER ASM.	FOR DSC-246			1
6	B1174245000	SET PIN		*		1
7	21148507	SIDE COVER	FOR DSC-246			1
8	21133103	OIL FELT				1
9	D1158241E0A	THREAD TAKE-UP LEVER COVER				1
10	21148150	FRAME PLATE ASM.				1
11	B1150241H0A	TOP COVER				1
12	B1118241H0A	SIDE PLATE				1
13	B1116246000	WING BOLT				1
14	D2414141E00	LORD BUSHING	FOR DSC-246-4,-7			1
15	B1128246000	HINGE				1
16	B1117246000	HOOK				1
17	B1130051000	FRAME THREAD GUIDE MIDDLE	FOR DSC-246			1
18	B1131562000	FRAME THREAD GUIDE LOWER	FOR DSC-246			1
19	B11305210A0	THREAD GUIDE ASM. LOWER	FOR DSC-246-4,-7			1
20	B1130521000	THREAD GUIDE		*		1
21	B1131521000	THREAD PRESSER PLATE		*		1
22	B1132521000	THREAD PRESSER PLATE SPRING		*		1
23	SD0380551SL	HINGE SCREW D=3.80 H=5.5		*		1
24	B1140051000	TAKE-UP OIL SPLASHER				1
25	B1128522000	THREE HOLE THREAD EYELET	FOR DSC-246			1
26	B1156115000	RUBBER PLUG				1
27	B3517009000	OIL FELT REAR				1
28	B1129563000	FRAME THREAD GUIDE UPPER				1
29	B1103051000	FACE PLATE PIN				1
30	TA1250406R0	RUBBER PLUG D=12.5 L=4	FOR DSC-246-4,-7			1
31	SD0800352SP	HINGE SCREW D=8 H=3.5				1
32	TA1050504R0	RUBBER PLUG				1
33	TA2100904R0	RUBBER PLUG	FOR DSC-246-4,-7			1
34	SS7110710SP	SCREW 11/64-40 L=7				2
35	SM6082002TP	SCREW M8 L=20				8
36	PS0600602KP	SPRING PIN				1
37	SS2090710SP	SCREW 9/64-40 L=7	FOR DSC-246			1
38	SS2090710SP	SCREW 9/64-40 L=7	FOR DSC-246-4,-7			2
39	SS3090610SP	SCREW 9/64-40 L=6	FOR DSC-246			1
40	SS2110915SP	SCREW 11/64-40 L=8.5				2
41	SS3090520SP	SCREW 9/64-40 L=4.5				1
42	SS2090710SP	SCREW 9/64-40 L=7				1
43	SS7110710SP	SCREW 11/64-40 L=7				2
44	SS2090710SP	SCREW 9/64-40 L=7				2
45	SS7090610SP	SCREW 9/64-40 L=6				1
46	SS7150940SP	SCREW 15/64-28 L=9				2
47	SS8110510SP	SCREW 11/64-40 L=5	FOR DSC-246			1

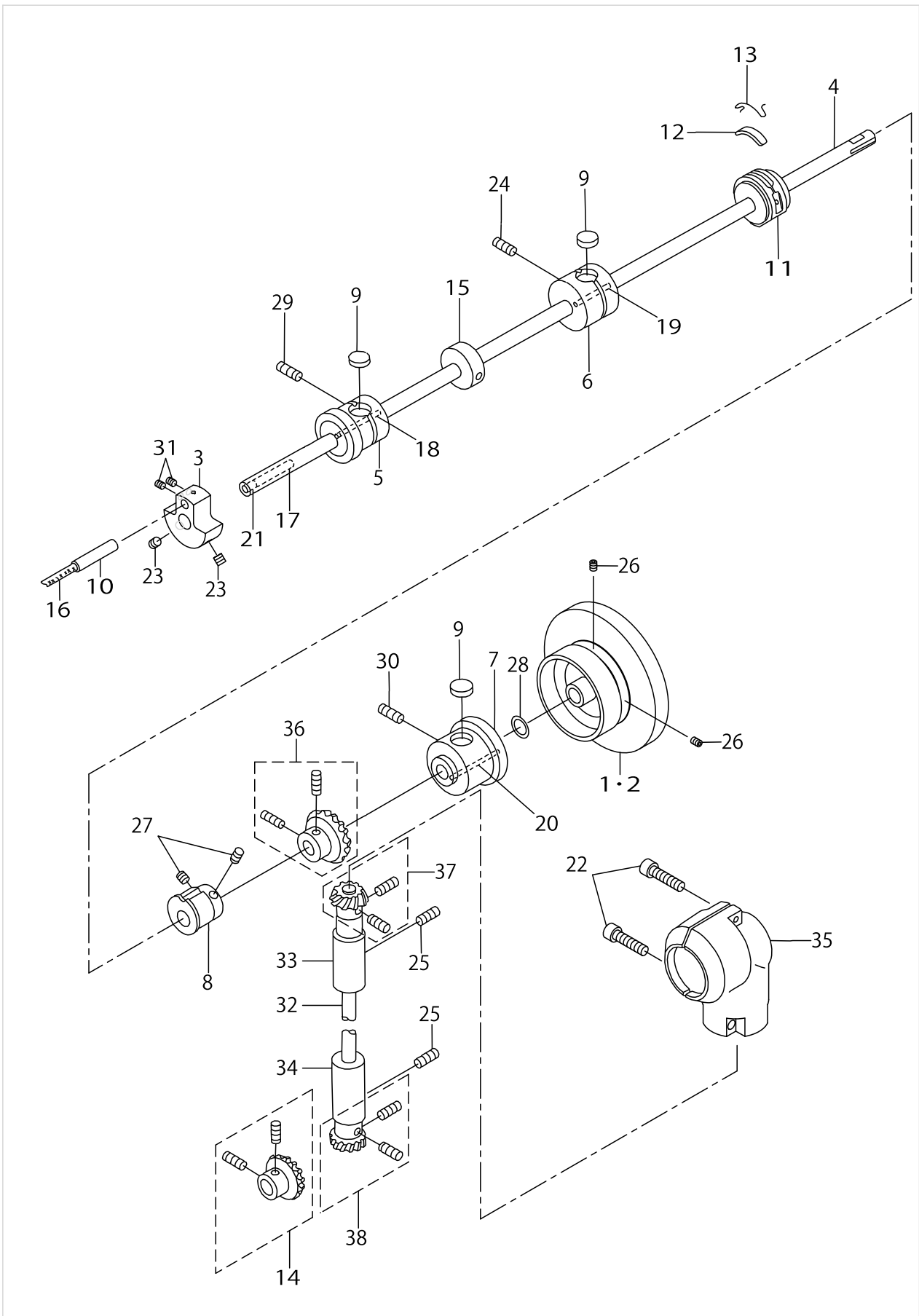
FRAME & MISCELLANEOUS COVER COMPONENTS



FRAME & MISCELLANEOUS COVER COMPONENTS

No.	Parts No.	Parts name	Remarks	Level	Cons	Qty
48	SS7090610SP	SCREW 9/64-40 L=6	FOR DSC-246			1
49	D1173245E00	TOP COVER	FOR DSC-246-4,-7			1
50	22901805	GROUND MARK				1
51	CM301300001	SAFETY LABEL				1
52	CM300200002	CAUTION LABEL(25)	FOR DSC-246(USE IN JAPAN,JE)			1
53	21130505	RUBBER PACKING A				1
54	CM300200002	CAUTION LABEL(25)	FOR DSC-246-4,-7 (USE IN JAPAN,JE)			2

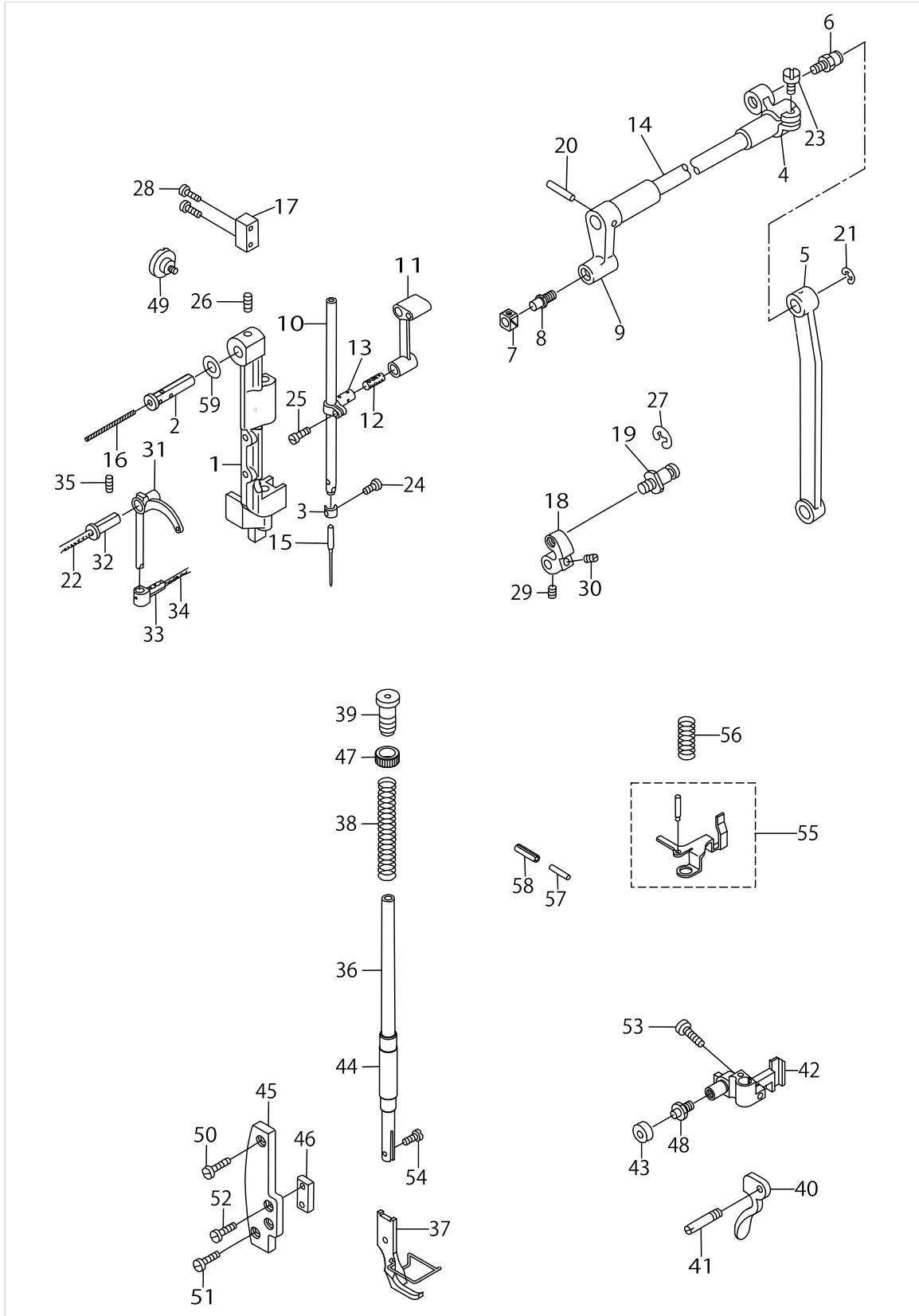
MAIN SHAFT & ARM SHAFT COMPONENTS



MAIN SHAFT & ARM SHAFT COMPONENTS

No.	Parts No.	Parts name	Remarks	Level	Cons	Qty
1	22860704	HAND WHEEL	FOR DSC-246			1
2	21308200	HAND WHEEL	FOR DSC-246-4,-7			1
3	40143250	COUNTER_WEIGHT				1
4	40143249	MAIN_SHAFT				1
5	40143251	MAIN_SHAFT_BUSHING				1
6	B1203241H00	BUSHING INTERMEDIATE				1
7	B1204241H00	BUSHING REAR				1
8	B1211141H00	FEED ECCENTRIC CAM				1
9	B1203051000	OIL FELT				3
10	B1210051000	NEEDLE BAR CRANK PIN				1
11	40144145	ECCENTRIC RETAINER HOUSING				1
12	B1212012000	OIL FELT				1
13	B1213012000	FELT RETAINER				1
14	B13081550A0	PINION ASM.				1
15	CS147101ASH	THRUST COLLAR ASM. D=14.72 W=10				1
16	CQ505000000	OIL WICK				0.1
17	CQ303000000	OIL WICK				0.1
18	CQ252000000	OIL WICK				0.1
19	CQ252000000	OIL WICK				0.1
20	CQ252000000	OIL WICK				0.1
21	TA0500601M0	PLUG D=5X5.4 L=6				1
22	SM6031202TP	SCREW M3X0.5 L=12				2
23	SM8080812TP	SCREW M8X8				2
24	SS8151550SP	SCREW 15/64-28 L=15				1
25	SS8151550SP	SCREW 15/64-28 L=15				2
26	SS8150822TP	SCREW 15/64-28 L=8				2
27	SS8150710TP	SCREW 15/64-28 L=7				2
28	B1605201000	METAL WASHER				1
29	SS8151550SP	SCREW 15/64-28 L=15				1
30	SS8150710SP	SCREW 15/64-28 L=7				1
31	SS8150710SP	SCREW 15/64-28 L=7				2
32	21133400	UPRIGHT SHAFT				1
33	B1302241H00	BUSHING UPPER				1
34	B1303271000	BUSHING LOWER				1
35	B13052710B0	GEAR CASE ASM.				1
36	B13050120A0	GEAR ASM.				1
37	B13061550C0	GEAR & PINION ASM.				1
38	B13071550A0	GEAR ASM. LARGE				1

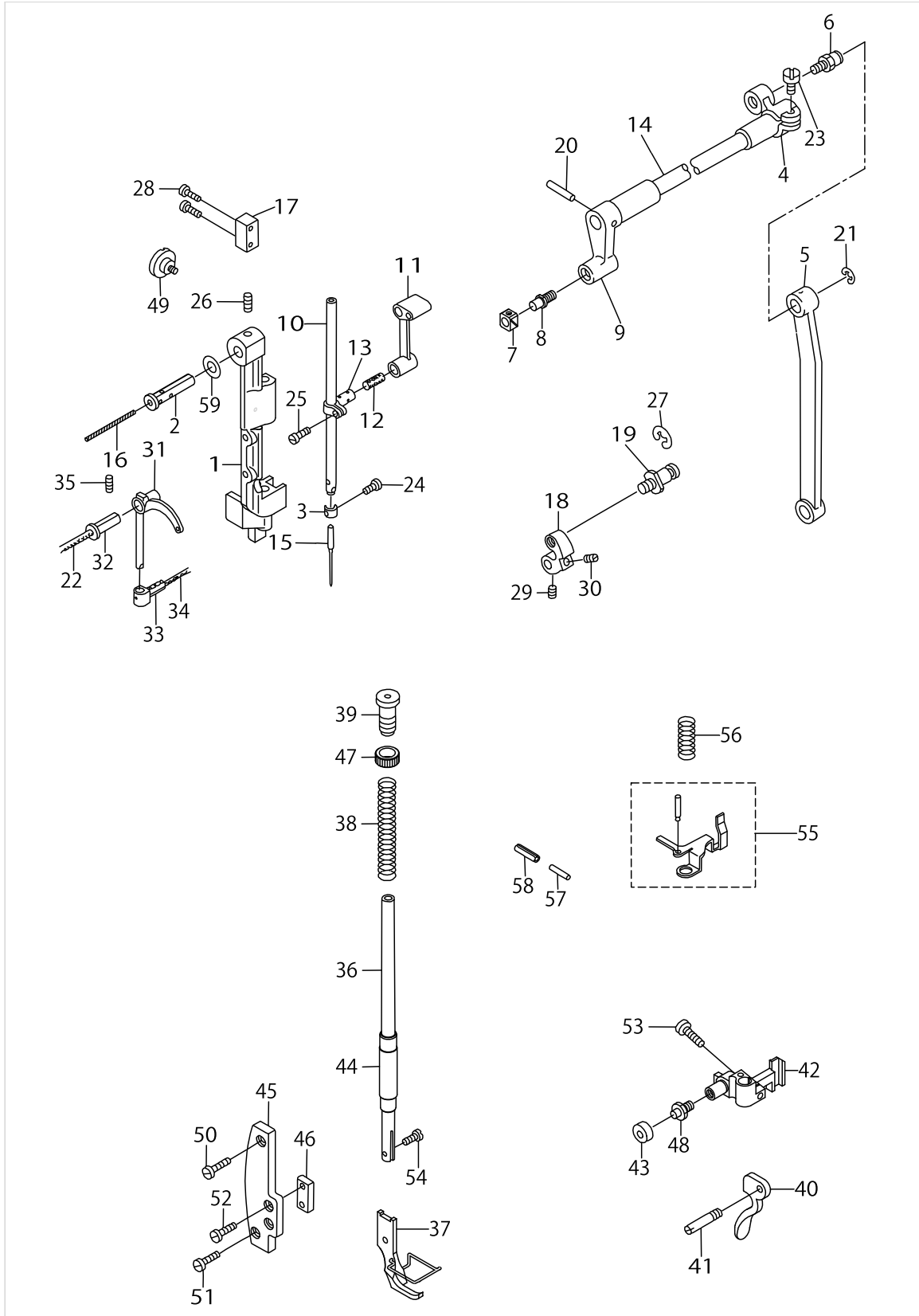
NEEDLE BAR, THREAD TAKE-UP LEVER & PRESSER BAR COMPONENTS



NEEDLE BAR,THREAD TAKE-UP LEVER & PRESSER BAR COMPONENTS

No.	Parts No.	Parts name	Remarks	Level	Cons	Qty
1	B1420563000	NEEDLE BAR FRAME				1
2	B1906051000	TAKE-UP LEVER PIN				1
3	B1419245000	NEEDLE BAR THREAD GUIDE				1
4	B1431241H00	ROCK SHAT REAR CRANK				1
5	B1434245000	DRIVING ROD				1
6	B1424158000	HINGE SCREW				1
7	B1414232000	SQUARE BLOCK				1
8	B1410771000	STUD				1
9	B1428563000	ROCK SHAFT FRONT CRANK				1
10	D1401245E00	NEEDLE BAR				1
11	D1408241E00	NEEDLE BAR CRANK ROD				1
12	D1412241E00	FELT				1
13	D1411241E00	NEEDLE BAR CONNECTION				1
14	B1429241H00	NEEDLE BAR FRAME LOCK SHAFT				1
15	M13517B1300	NEEDLE 135X17 #130				1
16	CQ252000000	OIL WICK				0.1
17	D1423241E00	NEEDLE BAR FRAME GUIDE				1
18	21133509	NEEDLE FEED ROCK CRANK				1
19	B1424158000	HINGE SCREW				1
20	PT0301600S0	TAPERED PIN 3.0X16				1
21	RE0700000K0	E-RING 7				1
22	D3505241E00	OIL WICK				1
23	SS7151210SP	SCREW 15/64-28 L=12				1
24	SS7080510TP	SCREW 1/8-44 L=4.5				1
25	SS7090910SP	SCREW 9/64-40 L=8.5				1
26	SS8151150SP	SCREW 15/64-28 L=10.5				1
27	RE0700000K0	E-RING 7				1
28	SS7111810SP	SCREW 11/64-40 L=18				2
29	SS8150710TP	SCREW 15/64-28 L=7				1
30	SS8150830SP	SCREW				1
31	D1905241E00	THREAD TAKE-UP LEVER				1
32	B1906051000	TAKE-UP LEVER PIN				1
33	D1907241E00	TAKE-UP LEVER THRUST PIN				1
34	CQ202000000	OIL WICK				0.1
35	SS8151150SP	SCREW 15/64-28 L=10.5				1
36	B1501241H00	PRESSER BAR				1
37	B15242450A0	PRESSER FOOT ASM.				1
38	B1510141H00	PRESSER SPRING				1
39	B1509141H00	PRESSER SPRING REGULATOR				1
40	B1512141H00	HAND LIFTER				1
41	B1515051000	HAND LIFTER PIN				1
42	B1460245000	PRESSER LIFTING LEVER BASE				1
43	D1462241E00	CONNECTING PIN ROLLER				1
44	22907109	PRESSER BAR BUSHING LOWER				1
45	D1464241E0A	GUIDE PLATE BASE				1
46	D1463241E00	PRESSER BAR BRACKET GUIDE				1
47	22907604	PRESSER SPRING REGULATOR NUT				1

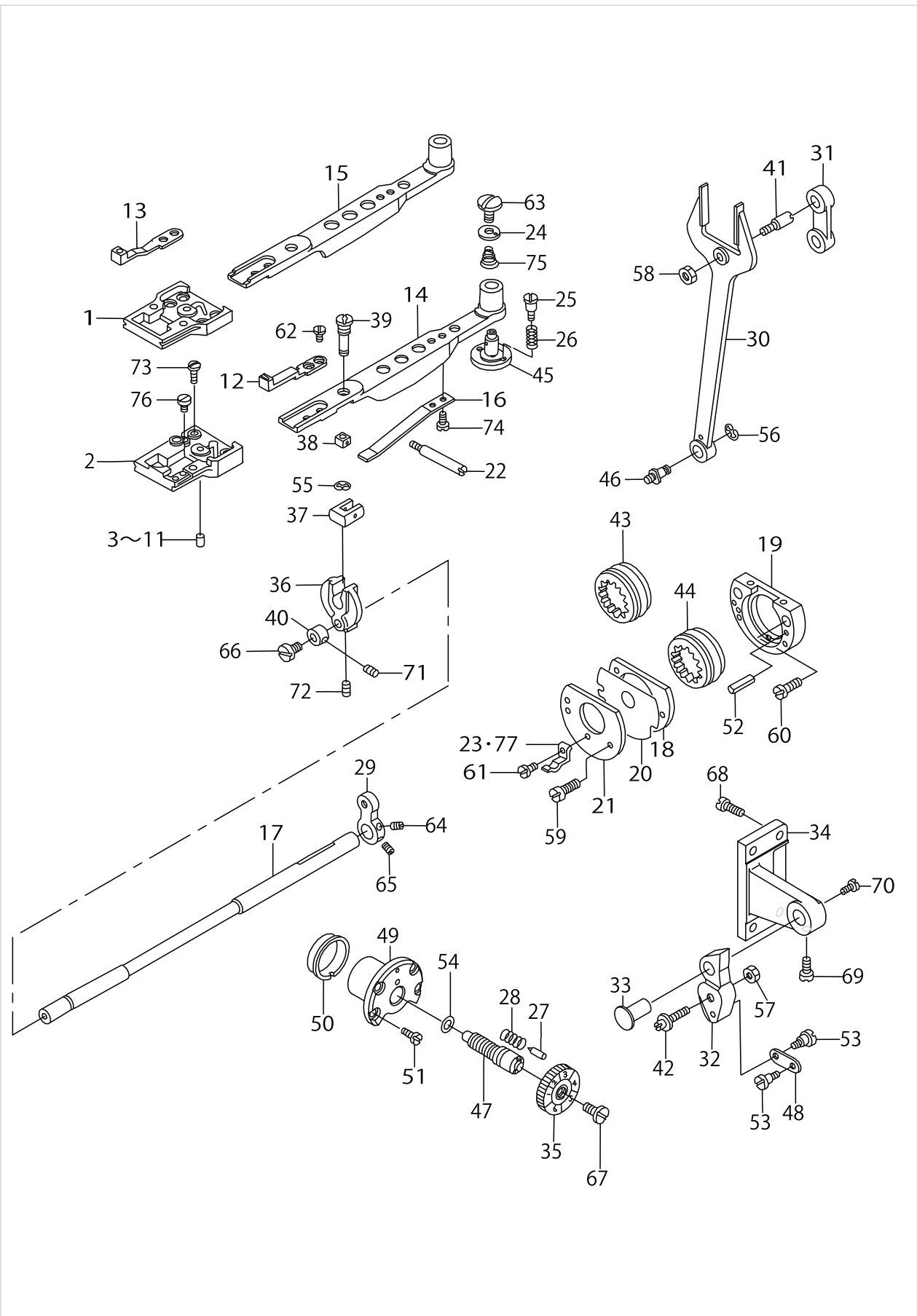
NEEDLE BAR, THREAD TAKE-UP LEVER & PRESSER BAR COMPONENTS



NEEDLE BAR,THREAD TAKE-UP LEVER & PRESSER BAR COMPONENTS

No.	Parts No.	Parts name	Remarks	Level	Cons	Qty
48	B1461245000	GUIDE SHAFT HINGE SCREW				1
49	SD0800481SP	HINGE SCREW D=8 H=4.9				1
50	SS7150740SP	SCREW 15/64-28 L=7				1
51	SS7621040SP	SCREW 3/16-32 L=9.5				1
52	SS7621040SP	SCREW 3/16-32 L=9.5				2
53	SS7111310SP	SCREW 11/64-40 L=12.8				1
54	SS6090910TP	SCREW 9/64-40 L=9				1
55	B14602460A0	THREAD RELEASE GUIDE ASM.				1
56	B1462053000	THREAD RELEASE SPRING				1
57	10321107	TENSION RELEASE BAR	FOR DSC-246-4,-7			1
58	PS0600502KP	SPRING PIN	FOR DSC-246-4,-7			1
59	B1208019000	WASHER				1

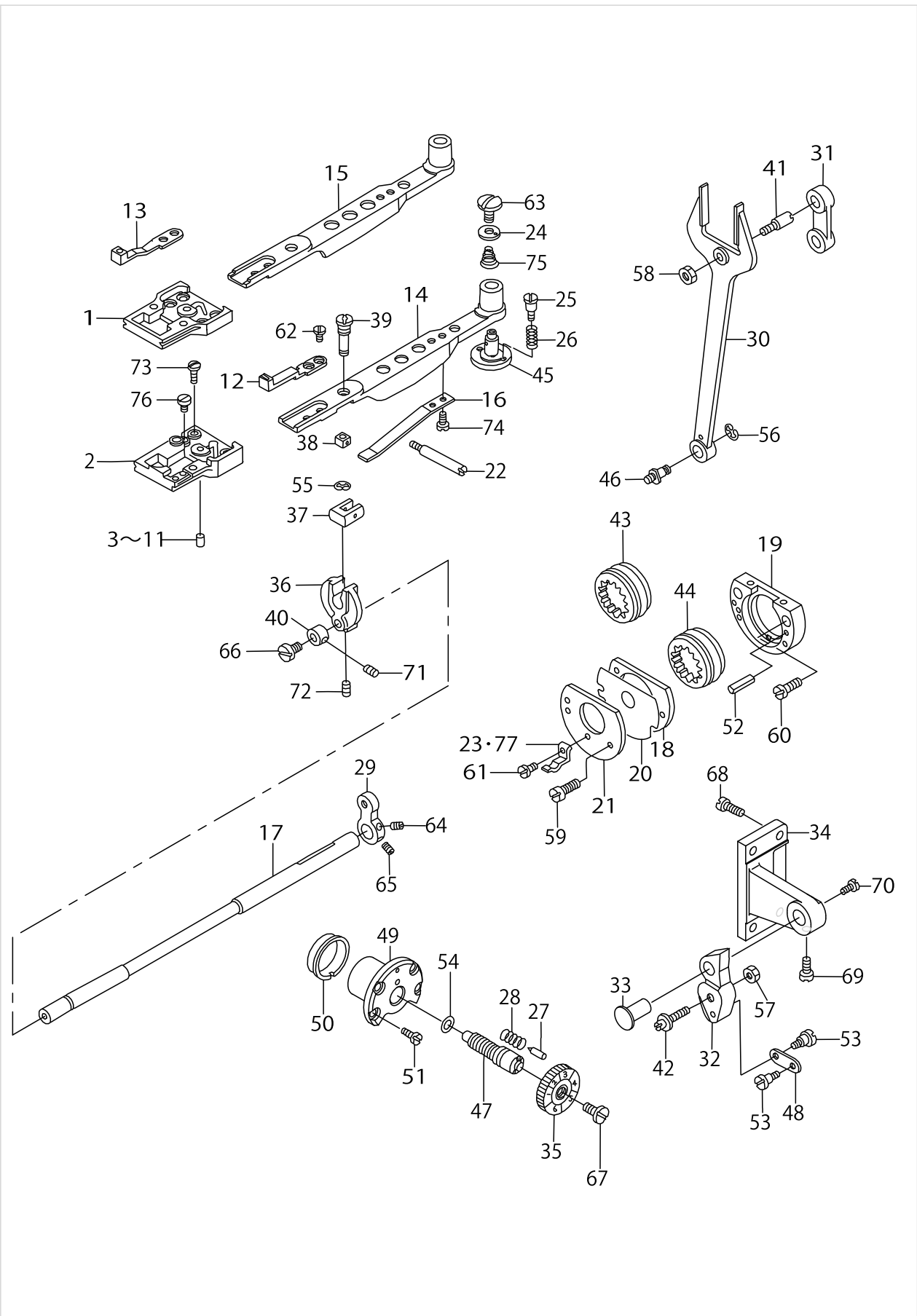
FEED MECHANISM COMPONENTS



FEED MECHANISM COMPONENTS

No.	Parts No.	Parts name	Remarks	Level	Cons	Qty
1	21133665	THROAT PLATE BASE ASM.	FOR DSC-246			1
2	D1630145EA0A	THROAT PLATE BASE ASM.	FOR DSC-246-4,-7			1
3	B163214500A	PIN	SELECTIVE PARTS FOR DSC-246-4,-7			1
4	B163214500B	VERTICAL FEED PIN	SELECTIVE PARTS FOR DSC-246-4,-7			1
5	B163214500C	PIN	FOR DSC-246-4,-7			1
6	B163214500D	PIN	SELECTIVE PARTS FOR DSC-246-4,-7			1
7	B163214500E	VERTICAL FEED PIN	SELECTIVE PARTS			1
8	B163214500F	PIN	SELECTIVE PARTS FOR DSC-246			1
9	B163214500G	PIN	FOR DSC-246			1
10	B163214500H	PIN	SELECTIVE PARTS FOR DSC-246			1
11	B163214500J	PIN	SELECTIVE PARTS FOR DSC-246			1
12	21134101	FEED FOOT	FOR DSC-246-4,-7			1
13	21135009	FEED FOOT	FOR DSC-246			1
14	D1606245E00	FEED BAR	FOR DSC-246-4,-7			1
15	B1606245000	FEED BAR	FOR DSC-246			1
16	B1633245000	SPRING				1
17	21136007	FEED ROCK SHAFT CRANK				1
18	B1634145000	FEED DRIVING CAM HOLDER A				1
19	40143673	FEED_DRIVING_CAM_HOLDER				1
20	B1636145000	FEED DRIVING CAM HOLDER WASHER				1
21	B1637145000	FEED DRIVING CAM HOLDER PLATE				1
22	B1638245000	SCREW STUD				1
23	B1172245000	HOOK COVER HOLDER	FOR DSC-246			1
24	B1640245000	BED COVER WASHER				1
25	B1641245000	HINGE SCREW				2
26	B1642245000	SPRING				2
27	B1147141H00	PIN				1
28	B1148141H00	SPRING				1
29	B1605245000	FEED ROCKER SHAFT CRANK				1
30	B1614245000	PITMAN				1
31	B1619241H00	FEED CONNECTING LINK				1
32	B1620245000	FEED REGULATOR				1
33	B1622241H00A	FEED REGULATOR STOPPER SHAFT				1
34	40143489	FEED_REGULATOR_SUPPORTING_BASE				1
35	B16232450A0	STITCH DIAL ASM.				1
36	B1603145000	FEED ROCKER				1
37	B1643145000	FEED BAR SLIDE BLOCK A				1
38	B1644245000	FEED BAR SLIDE BLOCK B				1
39	B1645245000	FEED BAR SLIDE SCREW STUD				1
40	B1646245000	THRUST COLLAR				1
41	B1617241H00	HINGE SCREW A				1
42	B1618241H00	HINGE SCREW B				1
43	B1647245000	FEED DRIVING CAM	FOR DSC-246-4,-7			1
44	40143257	FEED_DRIVING_CAM	FOR DSC-246			1

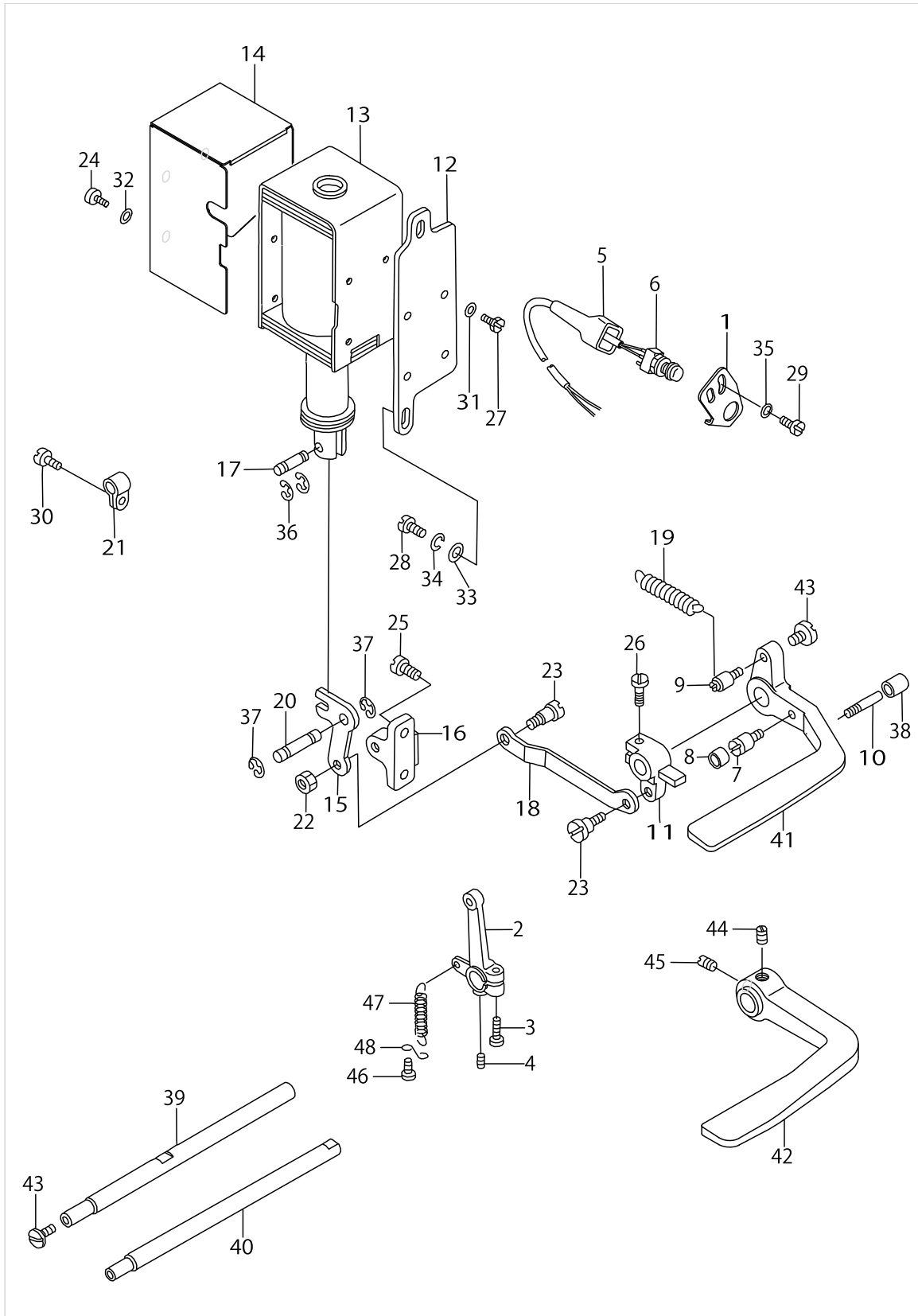
FEED MECHANISM COMPONENTS



FEED MECHANISM COMPONENTS

No.	Parts No.	Parts name	Remarks	Level	Cons	Qty
45	B1639245000	FEED BAR SHAFT				1
46	B1424158000	HINGE SCREW				1
47	B1634245000	STITCH LENGTH REGULATING SCREW				1
48	B2115271000	NEEDLE THROW LINK				1
49	B163624500A	BUSHING				1
50	B1637141H00	ECCENTRIC BUSHING				1
51	B1638141H00	SCREW				4
52	B1660145000	SPRING PIN				2
53	SD0640231SP	HINGE SCREW D=6.35 H=2.3				2
54	RO074240100	RUBBER RING				1
55	RE0300000K0	E-RING 3				1
56	RE0700000K0	E-RING 7				1
57	NS6680320SP	NUT 9/32-28				1
58	NS6680410SP	NUT 9/32-28				1
59	SS6081210SP	SCREW 1/8-44 L=12				2
60	B1651245000	SCREW				2
61	SS6060210SP	SCREW 3/32-56 L=1.9				1
62	B1652245000	SCREW				2
63	B1653245000	SCREW				1
64	SS8150710TP	SCREW 15/64-28 L=7				1
65	SS8150830SP	SCREW				1
66	SS5110710SP	SCREW 11/64-40 L=7				1
67	SS6121050SP	SCREW 3/16-28 L=9.5				1
68	SS7151210SP	SCREW 15/64-28 L=12				4
69	SS6151220SP	SCREW 15/64-28 L=11.5				1
70	SS7151330SP	SCREW 15/64-28 L=13.0				1
71	SS8110410TP	SCREW 11/64-40 L=3.5				2
72	SS8701042TP	SCREW 5/16-24 L=10.0				1
73	SS2090810SP	SCREW 9/64-40 L=7.5				2
74	SS7080520SP	SCREW 1/8-44 L=4.9				2
75	B1175245000	SPRING				1
76	SS6090610SP	SCREW 9/64-40 L=5.5				2
77	D1172245E00	HOOK COVER HOLDER	FOR DSC-246-4,-7			1

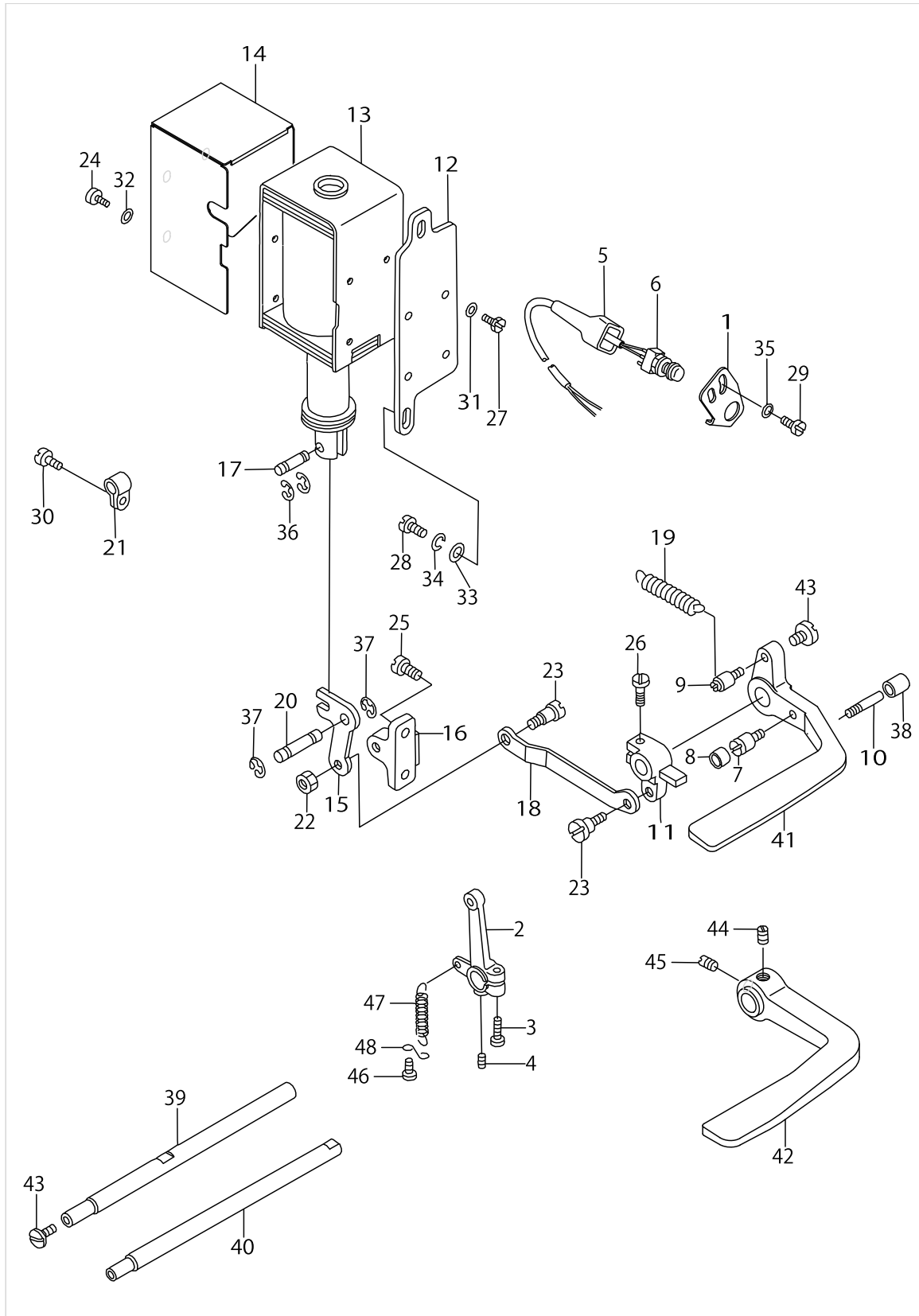
REVERSE FEED MECHANISM COMPONENTS



REVERSE FEED MECHANISM COMPONENTS

No.	Parts No.	Parts name	Remarks	Level	Cons	Qty
1	D1681241E0A	SWITCH INSTALLING BASE	FOR DSC-246-4-1B,-7-0B			1
2	B1627241H00	CONTROL LEVER CRANK				1
3	SS6121210SP	SCREW 3/16-28 L=12				1
4	SS8150710SP	SCREW 15/64-28 L=7				1
5	MAT81126T00	2-POLE PLUG COVER	FOR DSC-246-4-1B,-7-0B			1
6	D1680141EA0	TOUCH BUCK SWITCH ASM				1
7	B1114280000	PIN	FOR DSC-246-4-1B,-7-0B			1
8	10119907	CUSHION	FOR DSC-246-4-1B,-7-0B			1
9	10120004	SPRING SUSPENSION	FOR DSC-246-4-1B,-7-0B			1
10	B2733761000	PIN	FOR DSC-246-4-1B,-7-0B			1
11	10119709	REVERSE FEED CONNECTING ARM	FOR DSC-246-4-1B,-7-0B			1
12	10119204	SOLENOID INSTALLING PLATE	FOR DSC-246-4-1B,-7-0B			1
13	10119006	REVERSE FEED SOLENOID AC31V	FOR DSC-246-4-1B,-7-0B			1
14	10161305	SOLENOID COVER	FOR DSC-246-4-1B,-7-0B			1
15	10119402	LINK	FOR DSC-246-4-1B,-7-0B			1
16	D1684141E00A	LINK INSTALLING BASE	FOR DSC-246-4-1B,-7-0B			1
17	D2464555B00	LINK DRIVING MAGNET PIN	FOR DSC-246-4-1B,-7-0B			1
18	D1686241E00	REVERSE FEED ROD	FOR DSC-246-4-1B,-7-0B			1
19	D1685141E00	LEVER SPRING	FOR DSC-246-4-1B,-7-0B			1
20	D1687141E00	PIN	FOR DSC-246-4-1B,-7-0B			1
21	GES12155000	CLIP C	FOR DSC-246-4-1B,-7-0B			1
22	NS6150430SP	NUT 15/64-28	FOR DSC-246-4-1B,-7-0B			1
23	SD0720331SP	HINGE SCREW D=7.24 H=3.3	FOR DSC-246-4-1B,-7-0B			2
24	SS7110710SP	SCREW 11/64-40 L=7	FOR DSC-246-4-1B,-7-0B			4
25	SS7151210SP	SCREW 15/64-28 L=12	FOR DSC-246-4-1B,-7-0B			2
26	SS7121410SP	SCREW 3/16-28 L=14	FOR DSC-246-4-1B,-7-0B			1
27	SS9111010SP	SCREW 11/64-40 L=9.5	FOR DSC-246-4-1B,-7-0B			4
28	SS7151210SP	SCREW 15/64-28 L=12	FOR DSC-246-4-1B,-7-0B			2
29	SS7110710SP	SCREW 11/64-40 L=7	FOR DSC-246-4-1B,-7-0B			2
30	SS7110710SP	SCREW 11/64-40 L=7	FOR DSC-246-4-1B,-7-0B			4
31	WP0501016SD	WASHER 5X10.5X1	FOR DSC-246-4-1B,-7-0B			4
32	WP0501016SD	WASHER 5X10.5X1	FOR DSC-246-4-1B,-7-0B			4
33	WP0621016SD	WASHER 6.2X13X1	FOR DSC-246-4-1B,-7-0B			2
34	WS0631510KP	SPRING WASHER	FOR DSC-246-4-1B,-7-0B			2
35	WP0501016SD	WASHER 5X10.5X1	FOR DSC-246-4-1B,-7-0B			2
36	RE0400000K0	E-RING 4	FOR DSC-246-4-1B,-7-0B			2
37	RE0600000K0	E-RING 6	FOR DSC-246-4-1B,-7-0B			2
38	BP300000000	VINYL PIPE	FOR DSC-246-4-1B,-7-0B			0.1
39	D1621241E00	FEED CONTROL LEVER SHAFT	FOR DSC-246-4-1B,-7-0B			1
40	B1621241H00	REVERSEFEEDCONTROLLEVERSHAFT	FOR DSC-246,-4-1,-7-00			1
41	D1624241E0A	REVERSE FEED CONTROL LEVER	FOR DSC-246-4-1B,-7-0B			1
42	B162458600A	REVERSE FEED CONTROL LEVER	FOR DSC-246,-4-1,-7-00			1
43	SS7620750SP	SCREW 3/16-32 L=6.5				2
44	SS8661040TP	SCREW 1/4-40 L=10	FOR DSC-246,-4-1,-7-00			1
45	SS8660810TP	SCREW 1/4-40 L=8	FOR DSC-246,-4-1,-7-00			1
46	SS7090710SP	SCREW 9/64-40 L=6.8				1
47	B1646241H00	TENSION SPRING				1

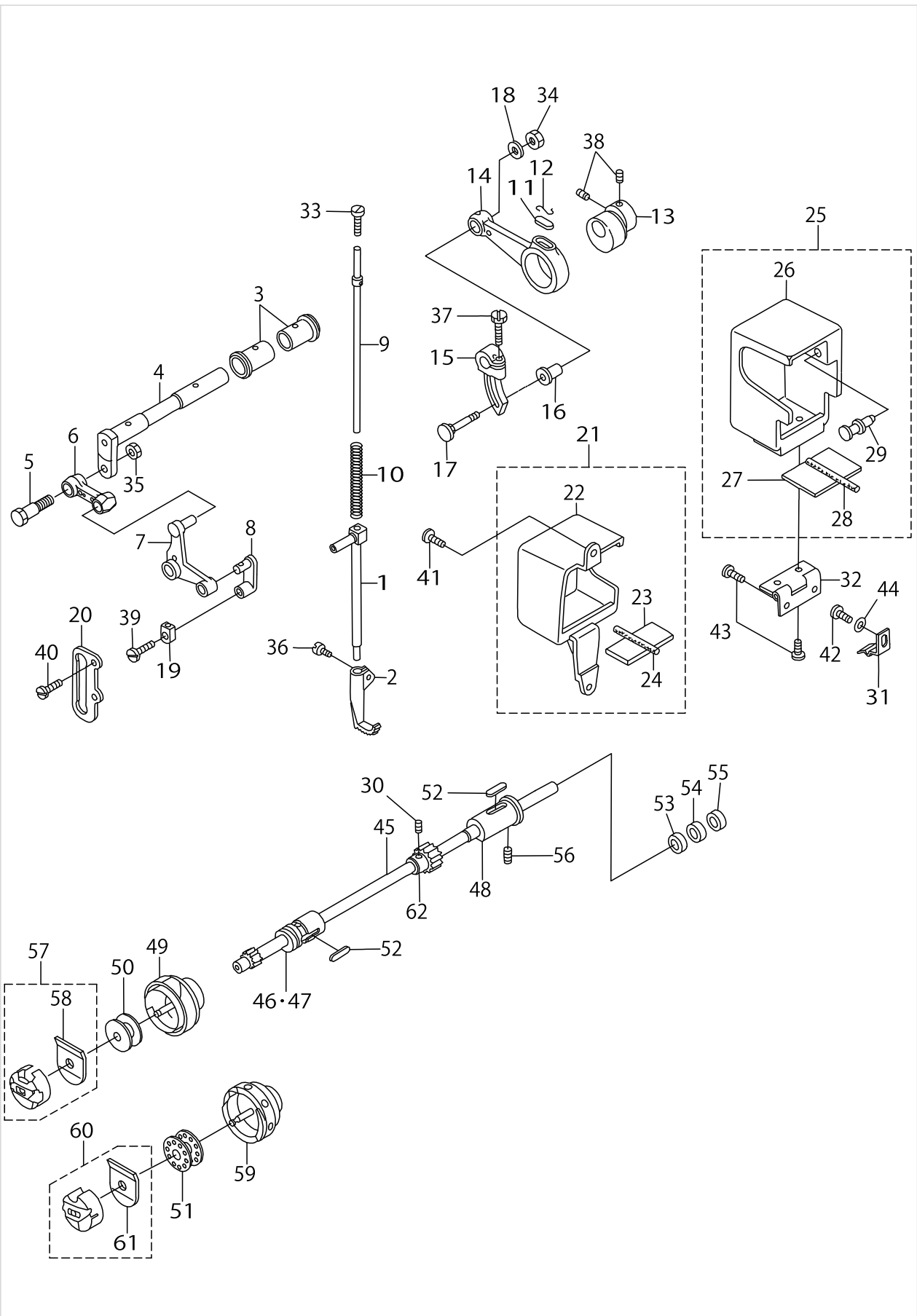
REVERSE FEED MECHANISM COMPONENTS



REVERSE FEED MECHANISM COMPONENTS

No.	Parts No.	Parts name	Remarks	Level	Cons	Qty
48	B1648122000	SUSPENSION HOOK (B)				1

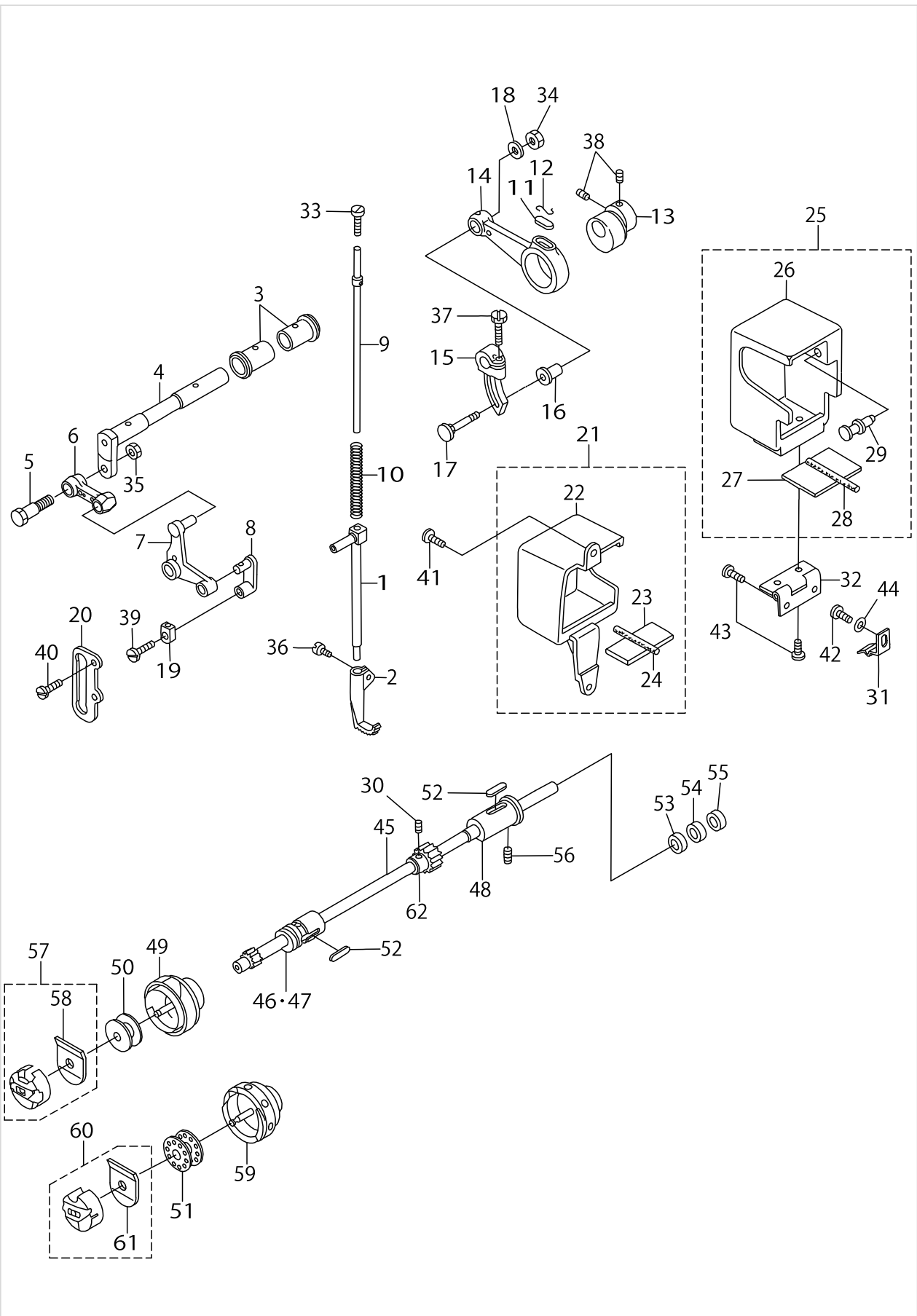
UPPER FEED MECHANISM & HOOK DRIVING SHAFT COMPONENTS



UPPER FEED MECHANISM & HOOK DRIVING SHAFT COMPONENTS

No.	Parts No.	Parts name	Remarks	Level	Cons	Qty
1	40033030	WALKING BAR A				1
2	B1470245000	WALKING FOOT				1
3	B1455053000	BUSHING				2
4	10314003	UPPER FEED DRIVING SHAFT				1
5	B3008141H00	HINGE SCREW				1
6	D1458241E00	CONNECTING LINK				1
7	D1459241E00	L SHAPED LINK				1
8	40143782	WALKING_BAR_DRIVING_LINK				1
9	B14670530A0	WALKING BAR ASM.				1
10	B1468053000	WALKING BAR SPRING				1
11	B1702012000	OIL FELT				1
12	B1213012000	FELT RETAINER				1
13	40143252	UPPER_FEED_DRIVING_CAM				1
14	40143253	UPPER_FEED_DRIVING_ROD				1
15	40143487	UPPER_FEED_ROD				1
16	D1455055B00	CONNECTING STUD				1
17	D1456055B00	HINGE SCREW				1
18	WP0482086SD	WASHER 4.8X11.5X2				1
19	B1414555000	SLIDE BLOCK				1
20	B1467563000	UPPER FEED BAR GUIDE				1
21	21147855	UPPER FEED FRONT COVER ASM.				1
22	21147806	UPPER FEED COVER FRONT		*		1
23	D1481241E00	FELT		*		1
24	CQ303000000	OIL WICK		*		0.2
25	21147954	UPPER FEED REAR COVER ASM.				1
26	21147905	UPPER FEED COVER REAR		*		1
27	D1483241E00	FELT		*		1
28	CQ303000000	OIL WICK		*		0.2
29	D1484241E00	PIN		*		1
30	SS8660530TP	SCREW 1/4-40 L=4.5				2
31	D1485241E00	UPPER FEED COVER SPRING				1
32	D1486241E00	UPPER FEED COVER HINGE				1
33	SS6151220SP	SCREW 15/64-28 L=11.5				1
34	NS6110530SP	NUT 11/64-40				1
35	NS6660430SP	NUT 1/4-40				1
36	SS6110710TP	SCREW 11/64-40 L=6.5				1
37	SS9161610SP	SCREW 1/4-24 L=16				1
38	SS8660610TP	SCREW 1/4-40 L=6				2
39	SS7110510SP	SCREW 11/64-40 L=5				1
40	SS7110910TP	SCREW 11/64-40 L=8.5				2
41	SS7111120SP	SCREW 11/64-40 L=10.5				2
42	SS7110710SP	SCREW 11/64-40 L=7				1
43	SS7110710SP	SCREW 11/64-40 L=7				4
44	WP0450000SD	WASHER 4.5X8X0.5				1
45	21136106	ROTATING HOOK SHAFT				1
46	21136205	BUSHING FRONT	SELECTIVE PARTS			1
47	21136304	BUSHING FRONT	SELECTIVE PARTS			1

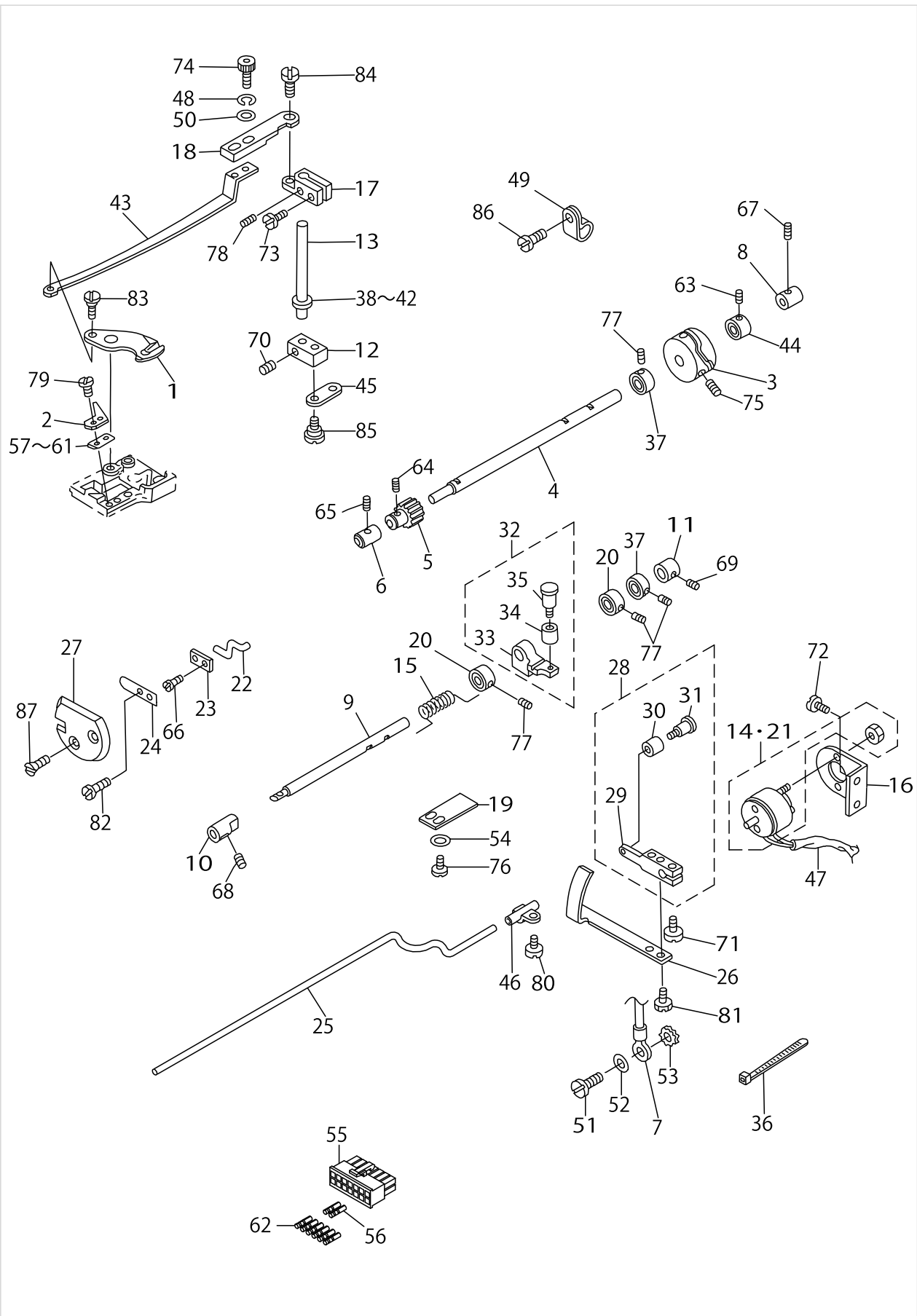
UPPER FEED MECHANISM & HOOK DRIVING SHAFT COMPONENTS



UPPER FEED MECHANISM & HOOK DRIVING SHAFT COMPONENTS

No.	Parts No.	Parts name	Remarks	Level	Cons	Qty
48	21136403	BUSHING REAR				1
49	D1830141EA0	HOOK ASM. (KHS20-RMPN)	FOR DSC-246-4,-7			1
50	D9117141E00	BOBBIN	FOR DSC-246-4,-7			1
51	B9117201000	BOBBIN	FOR DSC-246			1
52	B1806038000	OIL FELT				2
53	B183924500A	THRUST PLATE	SELECTIVE PARTS			1
54	B183924500B	THRUST PLATE	SELECTIVE PARTS			1
55	B183924500C	THRUST PLATE	SELECTIVE PARTS			1
56	SS8151550SP	SCREW 15/64-28 L=15				1
57	D1837141EA0	BOBBIN CASE ASM.	FOR DSC-246-4,-7			1
58	D1838141E00	BOBBIN CASE SPRING	FOR DSC-246-4,-7	*		1
59	B1830241HA0	HOOK ASM.	FOR DSC-246			1
60	B1837241H00	BOBBIN CASE	FOR DSC-246			1
61	B1837241H0C	BOBBIN CASE SPRING	FOR DSC-246	*		1
62	D2405245E00	CAM SHAFT GEAR				1

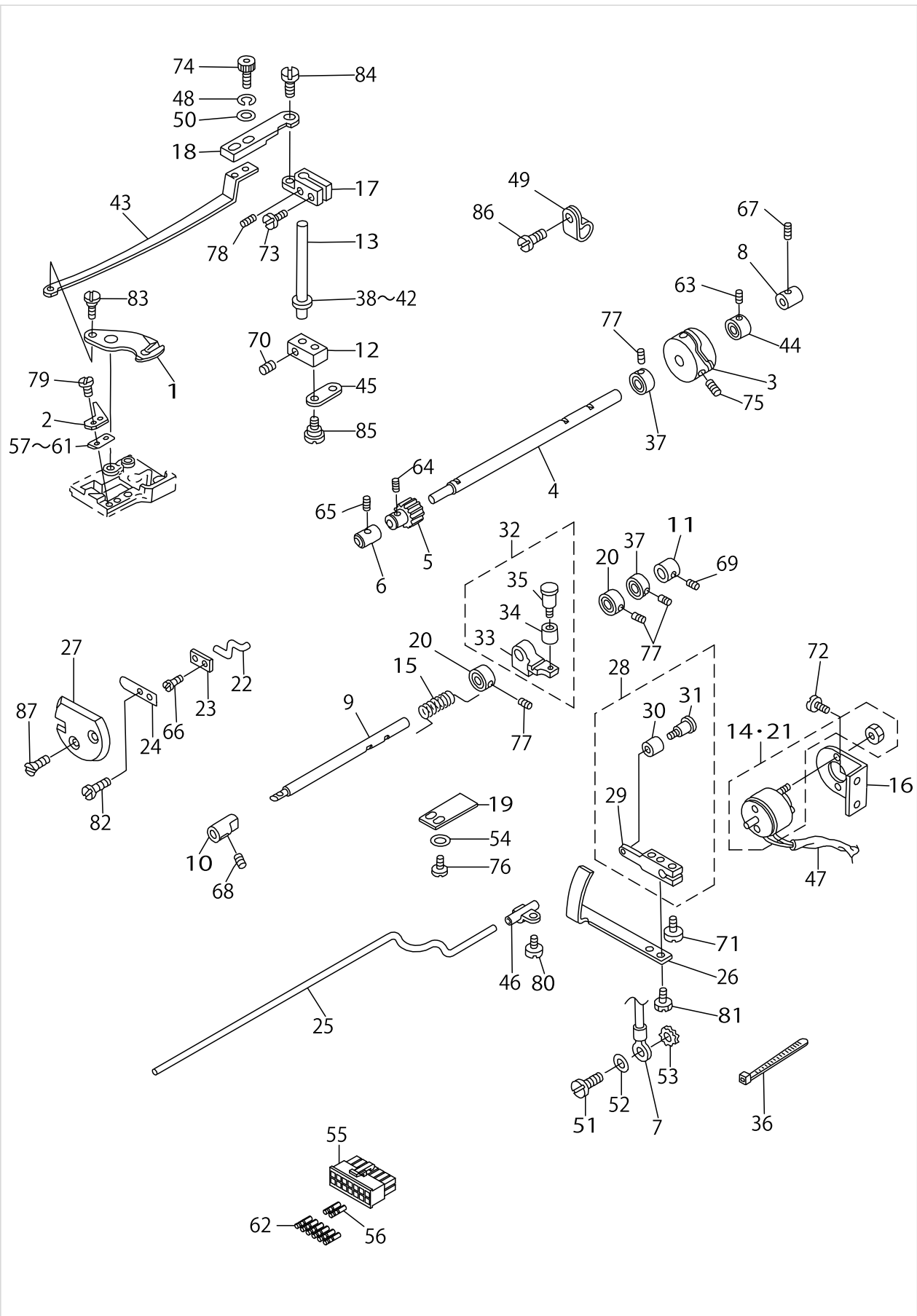
THREAD TRIMMER COMPONENTS



THREAD TRIMMER COMPONENTS

No.	Parts No.	Parts name	Remarks	Level	Cons	Qty
1	D2401245E00	MOVING KNIFE	FOR DSC-246-4,-7			1
2	D2402245E00	COUNTER KNIFE	FOR DSC-246-4,-7			1
3	D2403245E00	THREAD TRIMMER CAM	FOR DSC-246-4,-7			1
4	21136502	CAM SHAFT	FOR DSC-246-4,-7			1
5	D2405245E00	CAM SHAFT GEAR	FOR DSC-246-4,-7			1
6	D2406245E0A	HOOK SHAFT BUSHING FRONT	FOR DSC-246-4,-7			1
7	D6037245GA0	GROUND WIRE ASM.	FOR DSC-246-7			1
8	21136601	CAM SHAFT BUSHING REAR	FOR DSC-246-4,-7			1
9	D2409245E00	DRIVING SHAFT A	FOR DSC-246-4,-7			1
10	D2410245E00	BUSHING FRONT	FOR DSC-246-4,-7			1
11	D2411245E00	BUSHING REAR	FOR DSC-246-4,-7			1
12	D2412245E00	KNIFE DRIVING SHAFT ARM A	FOR DSC-246-4,-7			1
13	D2413245E00	DRIVING SHAFT B	FOR DSC-246-4,-7			1
14	D2414245E00	SOLENOID	FOR DSC-246-4			1
15	D2416245E00	SPRING	FOR DSC-246-4,-7			1
16	D2418245E00	SOLENOID BASE	FOR DSC-246-4,-7			1
17	D2419245E00	KNIFE DRIVING LINK B	FOR DSC-246-4,-7			1
18	21136700	DRIVING PLATE B	FOR DSC-246-4,-7			1
19	D2421245E00	CAM ROLLER ARM HOLDER	FOR DSC-246-4,-7			1
20	D2432245E0A	THRUST COLLAR A	FOR DSC-246-4,-7			2
21	D2414245E0A	SOLENOID	FOR DSC-246-7			1
22	21137203	PICKER	FOR DSC-246-4,-7			1
23	D2425245E00	PICKER HOLDER PLATE	FOR DSC-246-4,-7			1
24	D2426245E00	SPRING	FOR DSC-246-4,-7			1
25	21136809	DRIVING SHAFT	FOR DSC-246-4,-7			1
26	D2428245E00	PICKER DRIVING PLATE	FOR DSC-246-4,-7			1
27	21135900	PICKER LEVER	FOR DSC-246-4,-7			1
28	D2415245EA0	SOLENOID ARM ASM.	FOR DSC-246-4,-7			1
29	D2415245E00	SOLENOID ARM		*		1
30	B3031141H00	CONNECTING STUD		*		1
31	D2423245E00	CAM ROLLER ARM		*		1
32	D2417245EA0	CAM ROLLER ARM ASM.	FOR DSC-246-4,-7			1
33	D2417245E00	CAM ROLLER ARM		*		1
34	B3031141H00	CONNECTING STUD		*		1
35	D2423245E00	CAM ROLLER ARM		*		1
36	GES12153000	OIL WICK HOLDER	FOR DSC-246-4,-7			2
37	D2432245E00	THRUST COLLER	FOR DSC-246-4,-7			2
38	B185351200AA	HOOK SHAFT WASHER A	SELECTIVE PARTS FOR DSC-246-4			1
39	B185351200BA	HOOK SHAFT WASHER B	SELECTIVE PARTS FOR DSC-246-4			1
40	B185351200CA	HOOK SHAFT WASHER C	FOR DSC-246-4,-7			1
41	B185351200D	HOOK SHAFT WASHER	SELECTIVE PARTS FOR DSC-246-4			1
42	B185351200E	HOOK SHAFT WASHER	SELECTIVE PARTS FOR DSC-246-4			1
43	D2431245E00	KNIFE DRIVING PLATE A	FOR DSC-246-4,-7			1
44	D1841141E00	THRUST COLLAR	FOR DSC-246-4,-7			1
45	D2436141E00	CONNECTING LINK	FOR DSC-246-4,-7			1

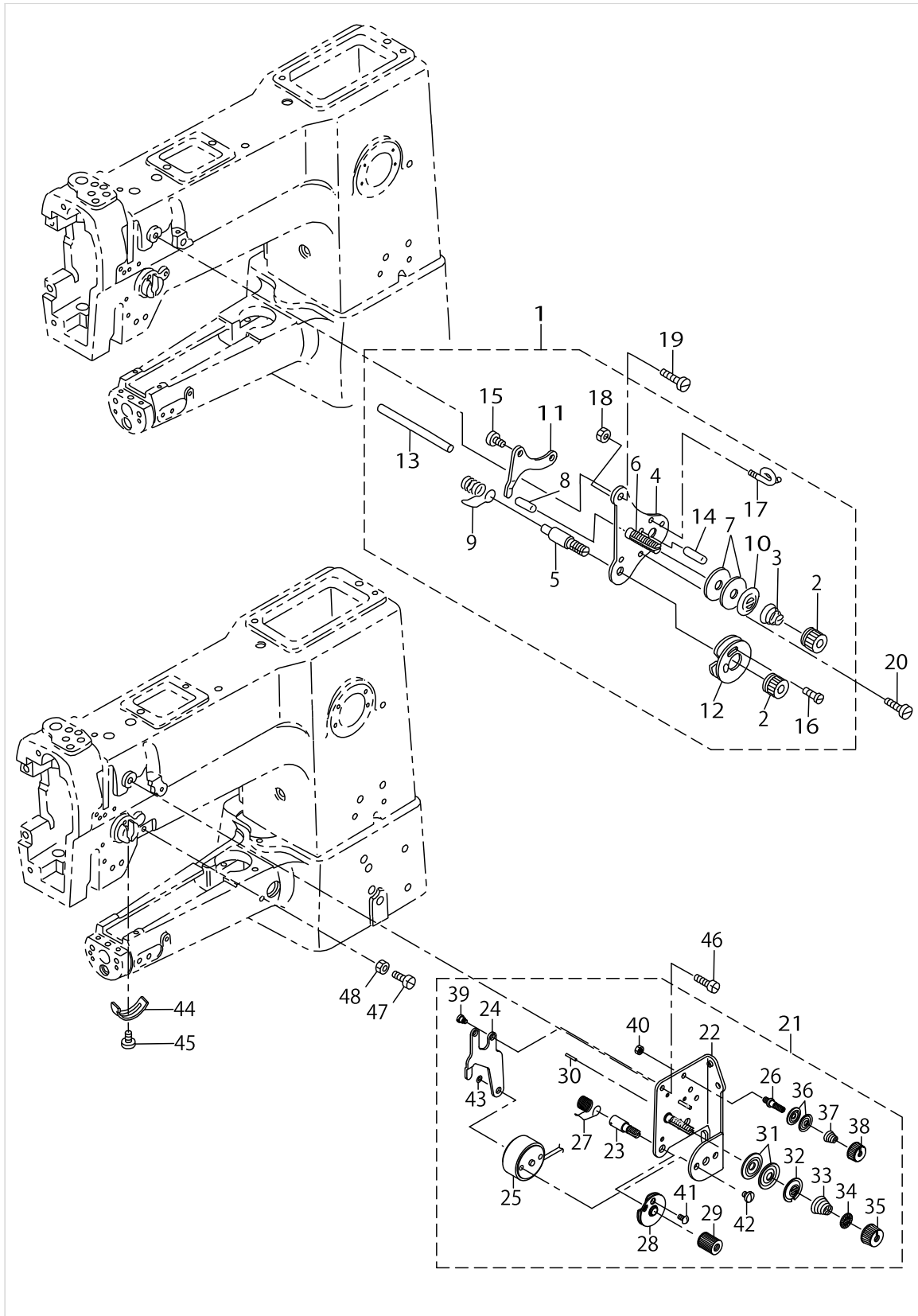
THREAD TRIMMER COMPONENTS



THREAD TRIMMER COMPONENTS

No.	Parts No.	Parts name	Remarks	Level	Cons	Qty
46	D2430245EA0	PICKER DRIVING BAR HOLDER ASM.	FOR DSC-246-4,-7			1
47	D2428141E00	CORD TUBE 5X0.4	FOR DSC-246-4,-7			1
48	WS0410002KN	SPRING WASHER	FOR DSC-246-4,-7			2
49	D2120555C00	CORD PRESSER (120V)	FOR DSC-246-4,-7			1
50	WP0371026SD	WASHER 3.7X7X1	FOR DSC-246-4,-7			2
51	SS7110710SP	SCREW 11/64-40 L=7	FOR DSC-246-4,-7			1
52	WP0501016SD	WASHER 5X10.5X1	FOR DSC-246-4,-7			1
53	WT0530002KS	TOOTHED WASHER D=5.3	FOR DSC-246-4,-7			1
54	WP0371016SD	WASHER 3.7X8X1	FOR DSC-246-4,-7			2
55	HK034610140	HOUSING 14P	FOR DSC-246-7			1
56	HK03464000B	PIN CONTACT	FOR DSC-246-7-00			2
57	21212600	SUPPORT PLATE	SELECTIVE PARTS FOR DSC-246-4			1
58	21212709	SUPPORT PLATE	SELECTIVE PARTS FOR DSC-246-4			1
59	21212808	SUPPORT PLATE	FOR DSC-246-4,-7			1
60	21212907	SUPPORT PLATE	SELECTIVE PARTS FOR DSC-246-4			1
61	21213004	SUPPORT PLATE	SELECTIVE PARTS FOR DSC-246-4			1
62	HK03464000B	PIN CONTACT	FOR DSC-246-7-00B			6
63	SS8660410SP	SCREW 1/4-40 L=4.2	FOR DSC-246-4,-7			2
64	SS8660530TP	SCREW 1/4-40 L=4.5	FOR DSC-246-4,-7			2
65	SS8151230SP	SCREW 15/64-28 L=12	FOR DSC-246-4,-7			1
66	D2435245E00	SCREW	FOR DSC-246-4,-7			2
67	SS8151230SP	SCREW 15/64-28 L=12	FOR DSC-246-4,-7			1
68	SS8151230SP	SCREW 15/64-28 L=12	FOR DSC-246-4,-7			1
69	SS8151230SP	SCREW 15/64-28 L=12	FOR DSC-246-4,-7			1
70	SS7110540SP	SCREW 11/64-40 L=5	FOR DSC-246-4,-7			2
71	SS7110910SP	SCREW 11/64-40 L=8.5	FOR DSC-246-4,-7			1
72	SS7111120SP	SCREW 11/64-40 L=10.5	FOR DSC-246-4,-7			2
73	SS7111410TP	SCREW 11/64-40 L=14	FOR DSC-246-4,-7			1
74	SS7091410SP	SCREW 9/64-40 L=13.5	FOR DSC-246-4,-7			2
75	SS8660612TP	SCREW 1/4-40 L=6	FOR DSC-246-4,-7			2
76	SS6090810SP	SCREW 9/64-40 L=7.5	FOR DSC-246-4,-7			2
77	D2434245E00	SCREW	FOR DSC-246-4,-7			8
78	SS8090410SP	SCREW 9/64-40 L=3.5	FOR DSC-246-4,-7			1
79	SS7060310SP	SCREW 3/32-56 L=3	FOR DSC-246-4,-7			2
80	SS7110710SP	SCREW 11/64-40 L=7	FOR DSC-246-4,-7			1
81	SS6090510SP	SCREW 9/64-40 L=5	FOR DSC-246-4,-7			2
82	SS5060310SP	SCREW 3/32-56 L=2.8	FOR DSC-246-4,-7			2
83	D2433245E00	HINGE SCREW	FOR DSC-246-4,-7			1
84	SD0640321SP	HINGE SCREW D=6.35 H=3.2	FOR DSC-246-4,-7			1
85	D2441141E00	HINGE SCREW	FOR DSC-246-4,-7			2
86	SS7110710SP	SCREW 11/64-40 L=7	FOR DSC-246-4,-7			1
87	D2436245E00	SCREW	FOR DSC-246-4,-7			2

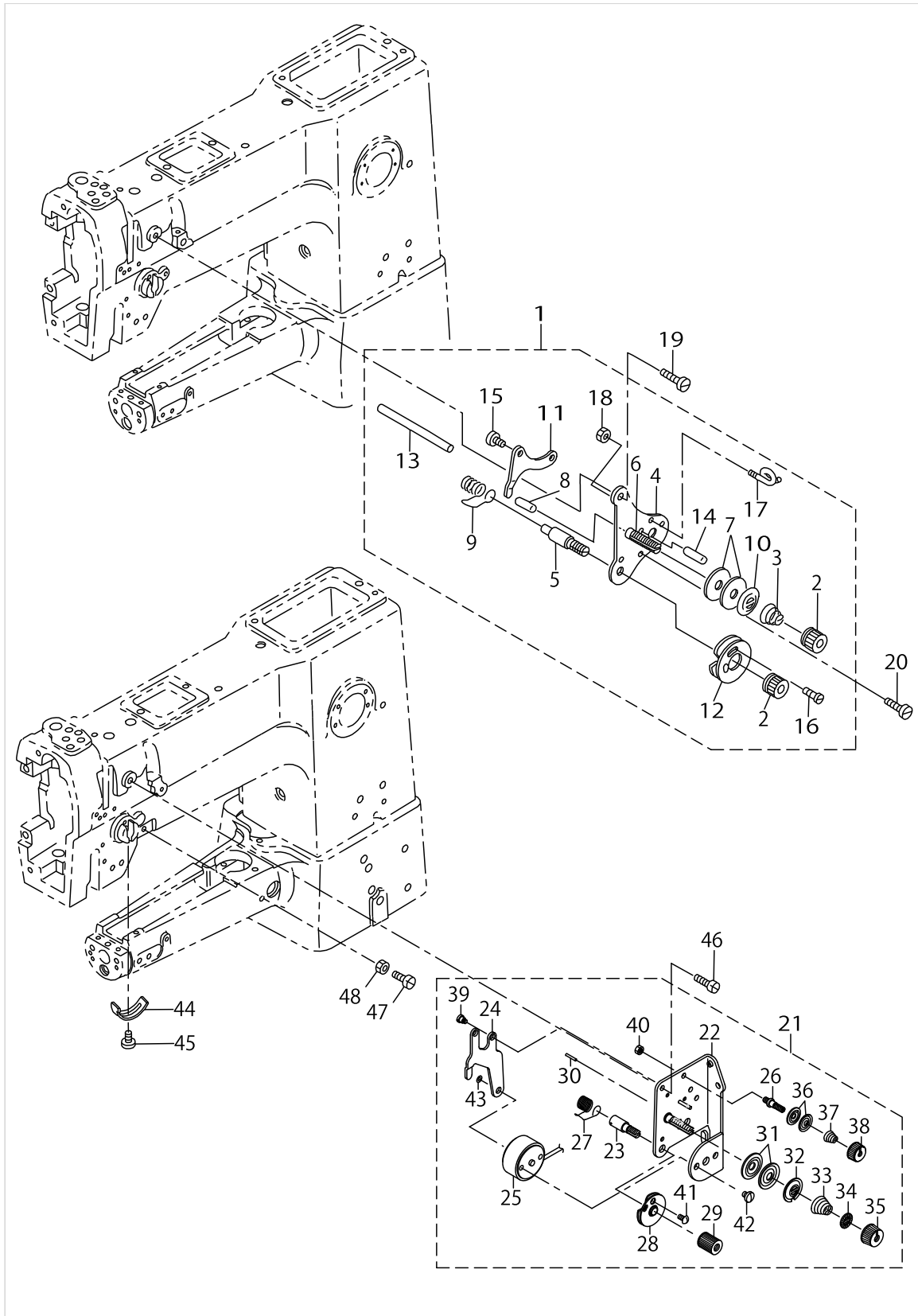
THREAD TENSION COMPONENTS



THREAD TENSION COMPONENTS

No.	Parts No.	Parts name	Remarks	Level	Cons	Qty
1	B31212450A0	TENSION CONTROLLER ASM.	FOR DSC-246			1
2	B3125012000	THREAD TENSION NUT		*		2
3	B3129053000	TENSION SPRING		*		1
4	B3121245000	TENSION POST BASE		*		1
5	B3123051000	TAKE-UP SPRING STUD		*		1
6	B3124051000	TENSION STUD		*		1
7	B3126051000	TENSION DISC		*		2
8	B3127051000	TENSION RELEASE PIN SHORT		*		1
9	B3128051000	THREAD TAKE-UP SPRING A		*		1
10	B3132051000	TENSION DISC HOLDER		*		1
11	B3134051000	TENSION RELEASE LEVER		*		1
12	B31370510A0	TAKE-UP SPRING GUIDE DISC ASM.		*		1
13	B3122053000	TENSION RELEASE BAR		*		1
14	PS0200122K0	SPRING PIN 2.0X12		*		1
15	SD0470281SP	HINGE SCREW D=4.7 H=2.8		*		2
16	SS4080610SP	SCREW 1/8-44 L=6.4		*		1
17	B3114761000	FRAME THREAD GUIDE B		*		1
18	NS6060350SP	NUT 3/32-56		*		1
19	SS7110710SP	SCREW 11/64-40 L=7	FOR DSC-246			1
20	SS2090710SP	SCREW 9/64-40 L=7	FOR DSC-246			1
21	10320075	TENSION POST ASM.	FOR DSC-246-4,-7			1
22	10320059	TENSION POST BASE ASM.		*		1
23	10320109	SCREW STUD		*		1
24	10320505	TENSION RELEASE LEVER		*		1
25	10320703	TENSION RELEASE SOLENOID		*		1
26	10124204	THREAD TENSION POST A		*		1
27	B3128051000	THREAD TAKE-UP SPRING A		*		1
28	B31375270A0	TAKE-UP SPRING GUIDE ASM.		*		1
29	10320208	THRED TENSION STUD NUT		*		1
30	B3127051000	TENSION RELEASE PIN SHORT		*		1
31	B3126051000	TENSION DISC		*		2
32	B3132051000	TENSION DISC HOLDER		*		1
33	B3129053000	TENSION SPRING		*		1
34	B3120125000	ROTATING STOPPER		*		1
35	11072204	TENSION NUT		*		1
36	B3214047000	BOBBIN WINDER TENSION DISC		*		2
37	D3168555H0B	TENSION SPRING NO.1		*		1
38	11072402	THREAD TENSION NUT		*		1
39	SD0470281SP	HINGE SCREW D=4.7 H=2.8		*		2
40	NS6110310SP	NUT 11/64-40		*		1
41	SS3090710TP	SCREW 9/64-40 L=7		*		1
42	SS7110510SP	SCREW 11/64-40 L=5		*		2
43	WS0310002KR	SPRING WASHER 3.1X5.9X0.7		*		1
44	B3138512000	TAKE-UP SPRING ADJUSTING PLATE				1
45	SS7090520SP	SCREW 9/64-40 L=4.5				1
46	SS7110710SP	SCREW 11/64-40 L=7	FOR DSC-246-4,-7			2
47	SS6111140SP	SCREW 11/64-40 L=11	FOR DSC-246-4,-7			1

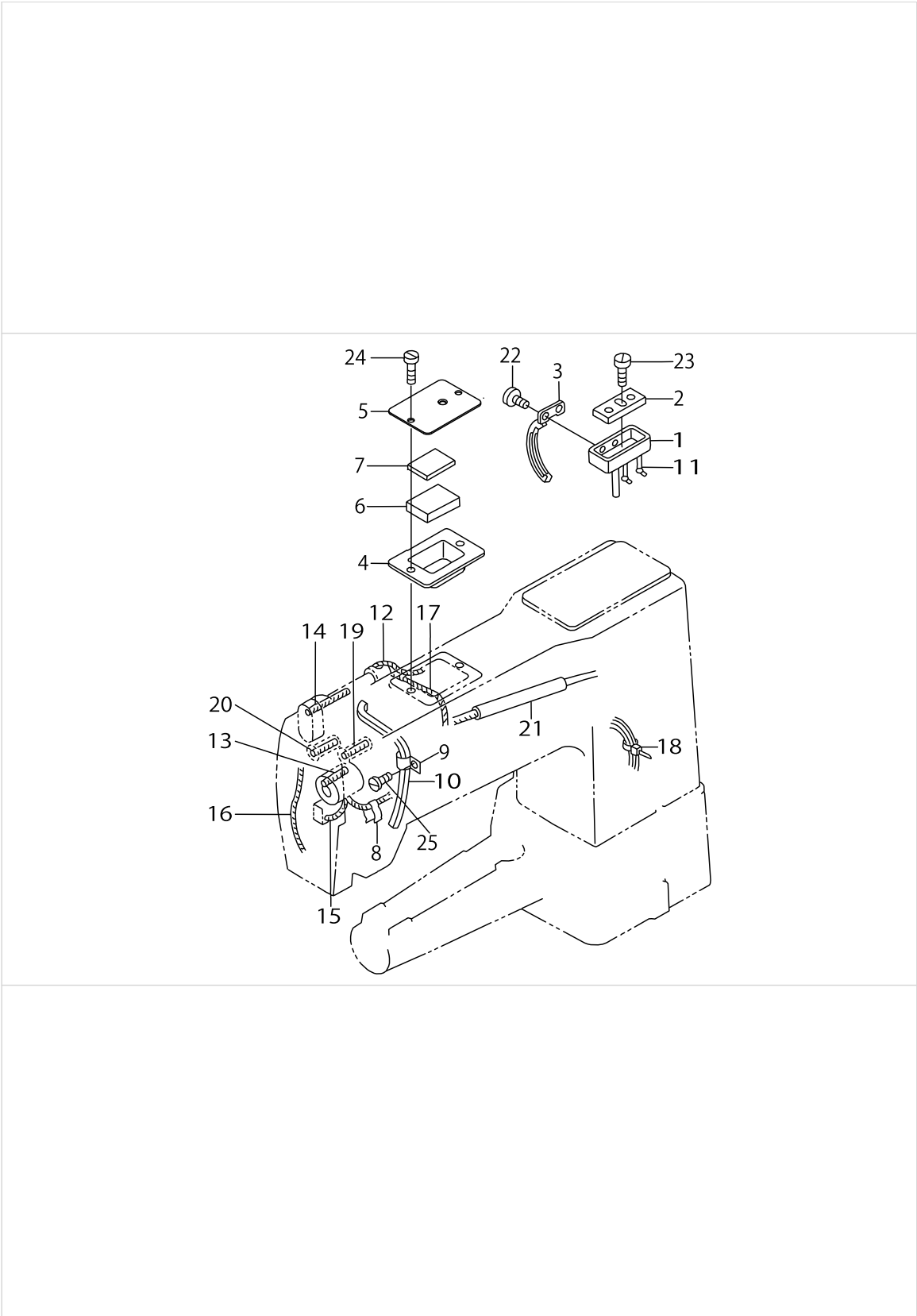
THREAD TENSION COMPONENTS



THREAD TENSION COMPONENTS

No.	Parts No.	Parts name	Remarks	Level	Cons	Qty
48	NS6110350SP	NUT 11/64-40	FOR DSC-246-4,-7			1

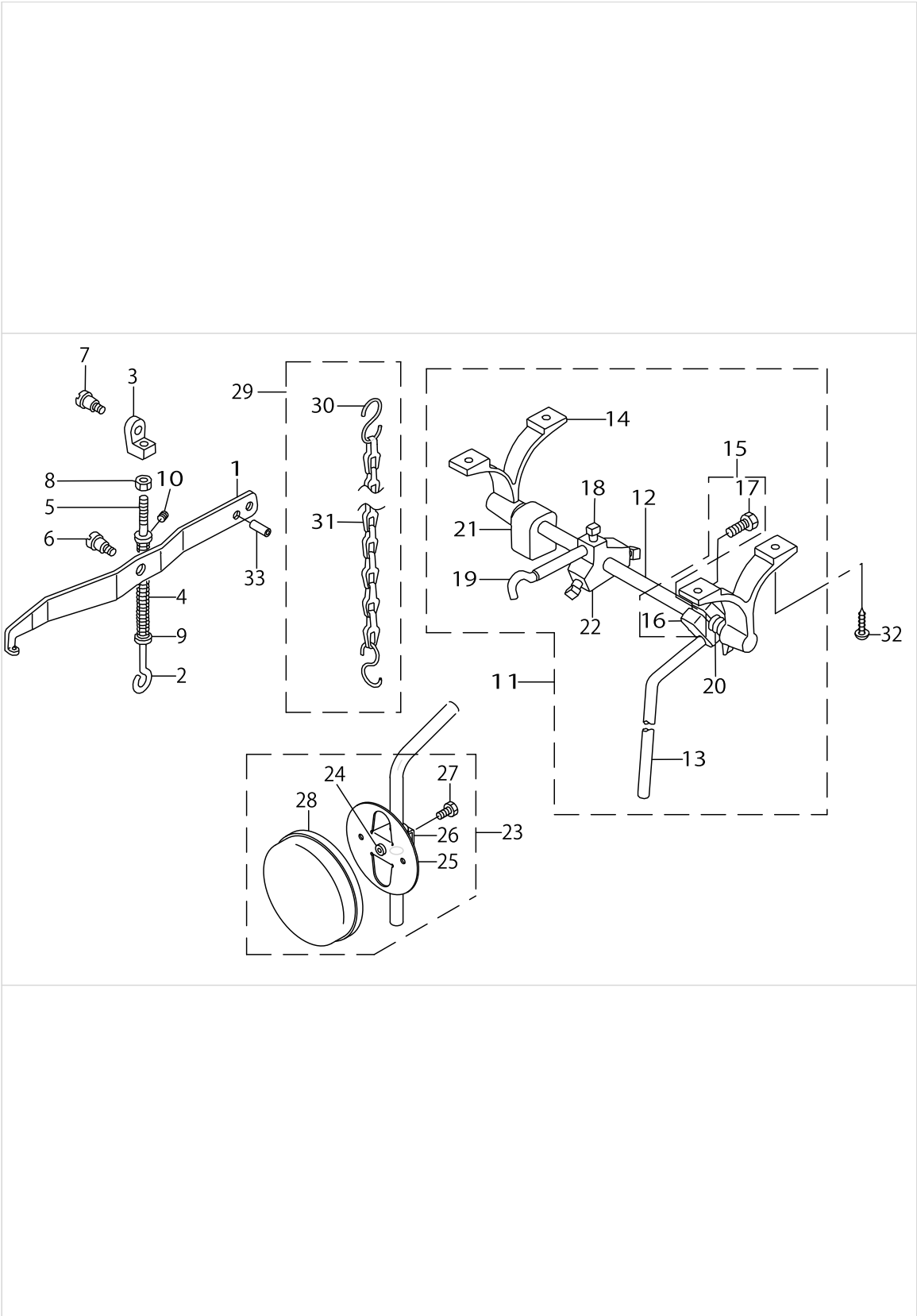
LUBRICATION COMPONENTS



LUBRICATION COMPONENTS

No.	Parts No.	Parts name	Remarks	Level	Cons	Qty
1	B8217241H00	OIL RESERVOIR				1
2	B8218241H00	OIL PAD				1
3	B3502115000	OIL WICK RETAINER				1
4	D3501241E00	OIL TANK				1
5	D3502241E0A	OIL TANK COVER				1
6	D3503241E00	FELT				1
7	D3502241E00	OIL TANK COVER				1
8	B1437051000	OIL WICK RETAINER				1
9	B3508512000	OIL FELT HOLDER				1
10	21136908	FELT				1
11	CQ202000000	OIL WICK				0.4
12	CQ202000000	OIL WICK				0.1
13	CQ202000000	OIL WICK				0.2
14	CQ202000000	OIL WICK				1
15	CQ202000000	OIL WICK				0.2
16	CQ202000000	OIL WICK				1
17	CQ202000000	OIL WICK				0.1
18	EA9500B0100	CABLE BAND				3
19	D3505241E00	OIL WICK				1
20	CQ252000000	OIL WICK				0.1
21	BP800000000	VINYL TUBE WHITE D=8				0.4
22	SS7080510TP	SCREW 1/8-44 L=4.5				2
23	SS7111810SP	SCREW 11/64-40 L=18				1
24	SS7110710SP	SCREW 11/64-40 L=7				2
25	SS7110710SP	SCREW 11/64-40 L=7				1

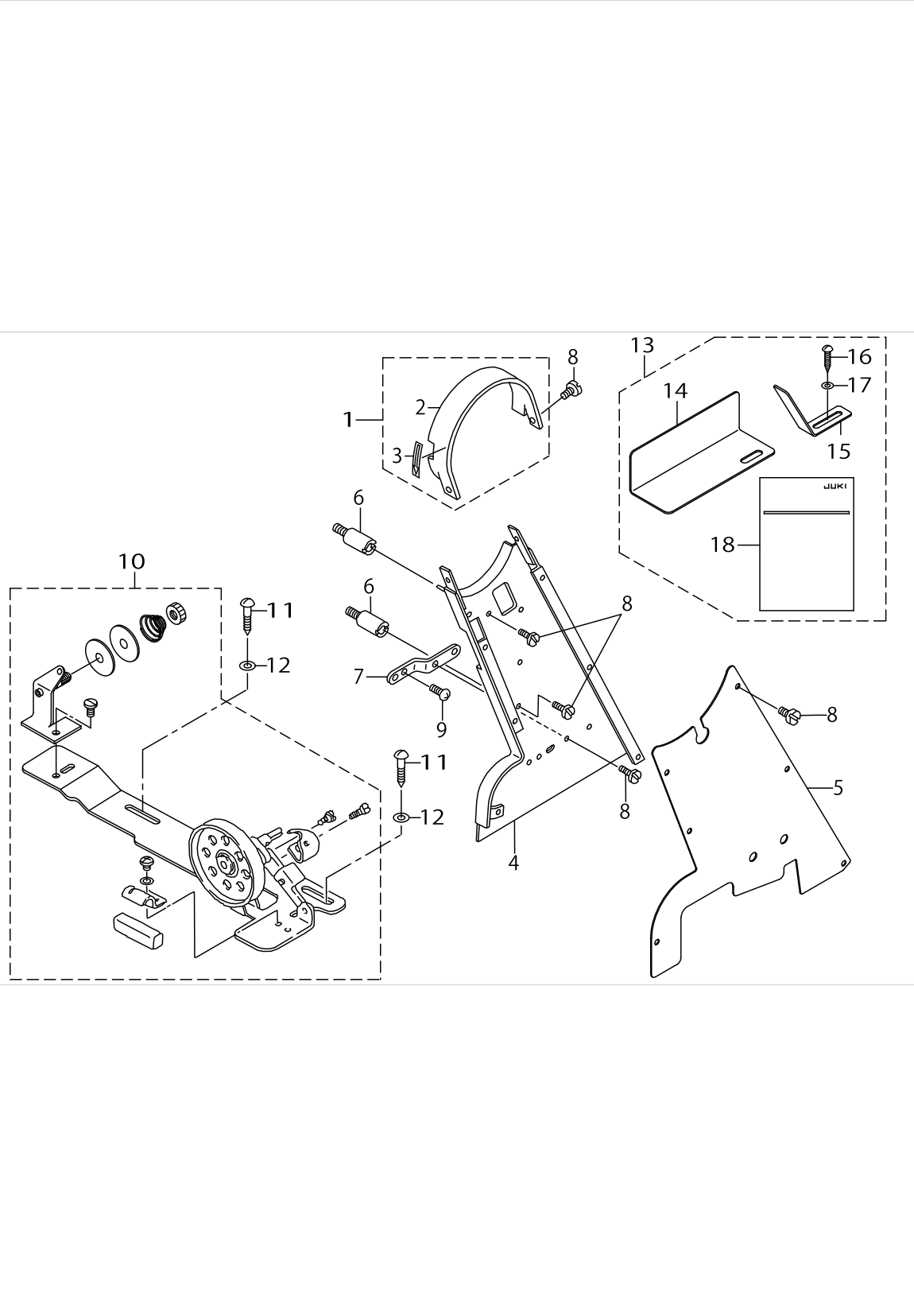
KNEE LIFTER COMPONENTS



KNEE LIFTER COMPONENTS

No.	Parts No.	Parts name	Remarks	Level	Cons	Qty
1	D3410241E00	PRESSER BAR LIFTING LEVER				1
2	B3415245000	LIFTING LEVER CONNECTING ROD				1
3	B3416141H00A	SWIVEL				1
4	B3414245000	SPRING				1
5	B3418245000	SPRING HOLDER				1
6	SD0790361SP	HINGE SCREW D=7.94 H=3.6				1
7	SD0790351SP	HINGE SCREW D=7.9 H=3.5				1
8	NS6620310SP	NUT 3/16-32				1
9	WP0621016SD	WASHER 6.2X13X1				1
10	SS7110730SP	SCREW 11/64-40 L=6.5				1
11	B34202450A0	KNEE LIFTER ASM.				1
12	B3420245000	MAIN SHAFT		*		1
13	B3422245000	KNEE LIFTER PLATE ROD		*		1
14	B3423245000	KNEE PRESS ROD HOLDER		*		2
15	22932453	BRACKET ASM.		*		1
16	22932404	BRACKET		*		1
17	22934707	SCREW		*		2
18	B3425141H00	MOUNTING BRACKET SET SCREW		*		3
19	B3424245000	KNEE LIFTER PLATE ARM		*		1
20	B3425245000A	SPRING		*		1
21	B3434141H00	BRACKET		*		1
22	B3424141H00	MOUNTING BRACKET		*		1
23	B34262450A0	KNEE PAD PLATE ASM.				1
24	22934400	KNEE PAD PLATE RUBBER		*		1
25	22934202	KNEE PAD PLATE		*		1
26	22934301	KNEE PAD PLATE SUPPORT		*		1
27	SM9061203SE	SCREW M6 L=12		*		1
28	22934509	KNEE PAD PLATE COVER		*		1
29	B34212450A0	CHAIN ASM.				1
30	13160304	S SHAPED HOOK		*		2
31	B3421245000	CHAIN		*		1
32	SK1483201SE	WOOD SCREW D=4.8 L=32				4
33	PS060024100	SPRING PIN 6X24				1

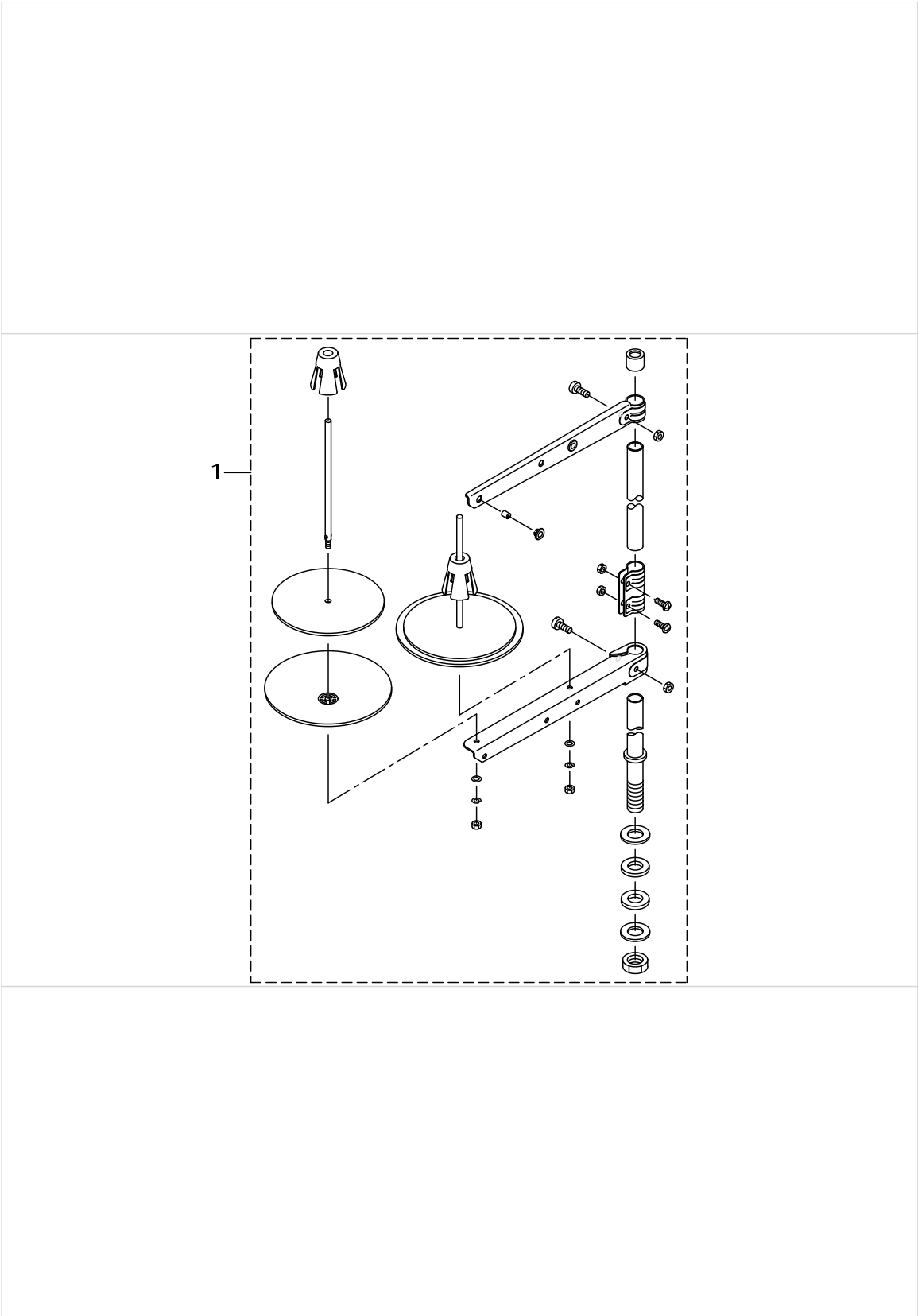
BELT COVER & THREAD WINDER COMPONENTS



BELT COVER & THREAD WINDER COMPONENTS

No.	Parts No.	Parts name	Remarks	Level	Cons	Qty
1	B91012450AA	BELT COVER(WITH LABEL)				1
2	B910124500A	TOP COVER		*		1
3	CM500300001	DIRECTION LABEL		*		1
4	B91022450AA	BELT COVER ASM.				1
5	B910424600A	BELT COVER				1
6	B9106245000	BELT COVER SUPPORT BAR				2
7	B9108245000	BELT COVER SUPPORT				1
8	SS6110480SP	SCREW 11/64-40 L=4.3				12
9	SS6111140SP	SCREW 11/64-40 L=11				2
10	11415866	BOBBIN WINDER COMPL				1
11	SK3482500SC	WOOD SCREW D=4.8 L=25				2
12	WP0501016SC	WASHER 5X10.5X1				2
13	B91122450AA	BELT COVER ASM.	FOR JE			1
14	B911224500A	SIDE COVER		*		1
15	B911324500A	REAR COVER		*		1
16	SK3482500SC	WOOD SCREW D=4.8 L=25		*		1
17	WP0501016SC	WASHER 5X10.5X1		*		1
18	29183803	BELT COVER INSTRUCTION MANUAL		*		1

THREAD STAND COMPONENTS



THREAD STAND COMPONENTS

No.	Parts No.	Parts name	Remarks	Level	Cons	Qty
1	40096354	THREAD STAND ASM.				1

TABLE COMPONENTS

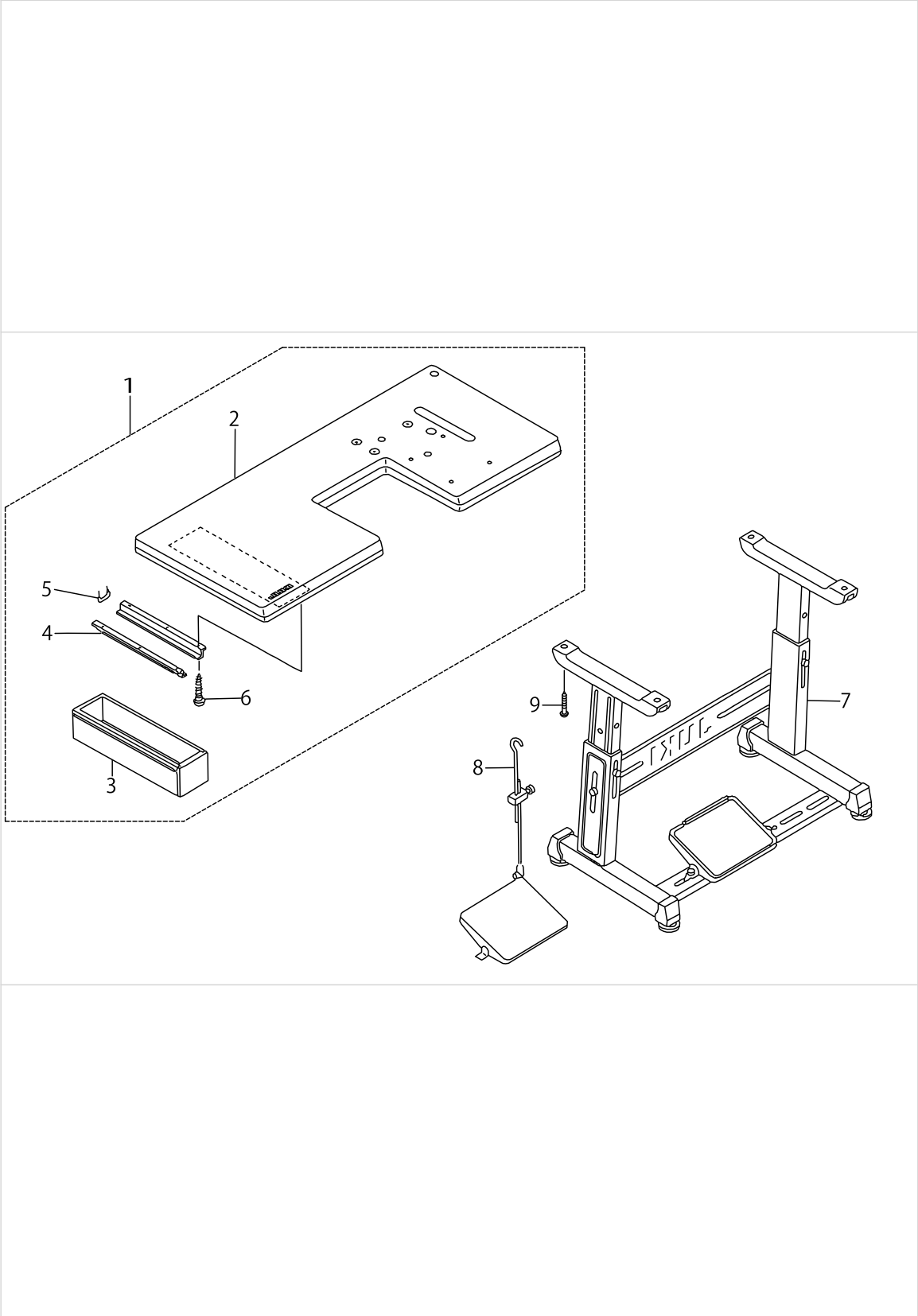


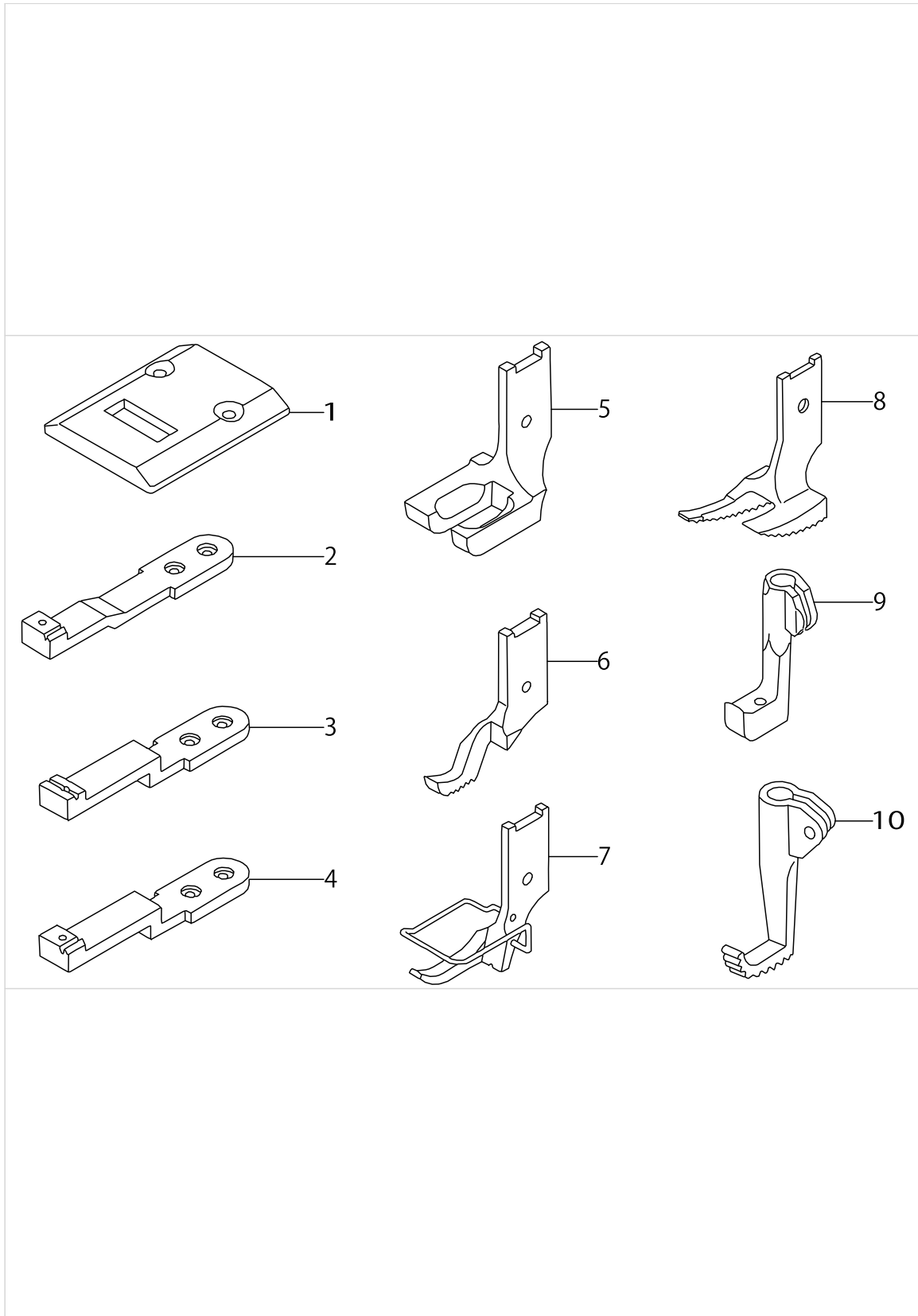
TABLE COMPONENTS

No.	Parts No.	Parts name	Remarks	Level	Cons	Qty
1	21148051	TABLE ASM.				1
2	21148002	TABLE		*		1
3	11155108	DRAWER		*		1
4	11155207	DRAWER SUPPORT		*		2
5	D8204555D00	DRAWER STOPPER		*		1
6	SK3311600SE	WOOD SCREW D=3.1 L=16		*		6
7	11157567	T LEG JUNCTION				1
8	B71140120A0	MOTOR CONNECTING ROD ASM.	FOR DSC-246			1
9	SK3513200SC	WOOD SCREW D=5.1 L=32				4

ACCESSORIES PARTS COMPONENTS

No.	Parts No.	Parts name	Remarks	Level	Cons	Qty
1	B11582450AA	THREAD TAKE-UP LEVER COVER ASM	FOR JE			1
2	B115824500A	THREAD TAKE-UP LEVER COVER		*		1
3	SS7150740SP	SCREW 15/64-28 L=7		*		2
4	29183902	INSTRUCTION MANUAL		*		1
5	22933105	SCREW DRIVER MIDDLE				1
6	22933204	SCREW DRIVER SMALL				1
7	M13517B1302	NEEDLE 135X17 #130-2	FOR DSC-246-4			1
8	B9117201000	BOBBIN	FOR DSC-246			3
9	D9117141E00	BOBBIN	FOR DSC-246-4,-7			4
10	B91212200A0	OILER (CONTAINING NO.2 OIL)				1
11	22958300	NEEDLE THREAD GUIDE PIN				1
12	B820424500A	FRAME SUPPORT BAR				1
13	22933303	VINYL COVER				1
14	J106600000F	HEXAGONAL WRENCH KEY				1
15	B9111245000	WRENCH				1
16	D7101245E00	SYNCHRONIZER HOLDER STUD	FOR DSC-246-4,-7			1
17	D7102245E00	SYNCHRONIZER HOLDER PLATE	FOR DSC-246-4,-7			1
18	SS7110710SP	SCREW 11/64-40 L=7	FOR DSC-246-4,-7			1
19	NS6150430SP	NUT 15/64-28	FOR DSC-246-4,-7			1
20	BT0630520Z0	HOLDER COVER				1
21	B9130245000	BOLT				4
22	WP0751576SD	WASHER 7.5X19X1.5				4
23	NM6060001SD	NUT M6				4
24	21137104	GASKET				2
25	B163214500J	PIN	FOR DSC-246			1
26	B163214500E	VERTICAL FEED PIN	FOR DSC-246-4,-7			1
27	D2402245E00	COUNTER KNIFE	FOR DSC-246-4,-7			1
28	GES12153000	OIL WICK HOLDER	FOR DSC-246-4,-7			1
29	MAO11532000	CORD STAPLE	FOR DSC-246-4			2
30	B9101552000	ACCESSORY BOX				1
31	MTSP00750B0	MOTOR PULLEY ASM. P.C.D 75	FOR DSC-246-7			1
32	MTJVM00530A	V-BELT 53 INCH	FOR DSC-246-7			1
33	40052256	PANEL THREAD GUIDE	FOR DSC-246-7			1
34	SM4040601SC	SCREW M4X0.7 L=6	FOR DSC-246-7			1
35	40026920	SYNCHRONIZER ASM	FOR DSC-246-7			1
36	10741759	GROUND WIRE ASM.	FOR DSC-246-4			1
37	WP0430800SC	WASHER M4	FOR DSC-246-7			1
38	WS0410002KN	SPRING WASHER	FOR DSC-246-7			1
39	10741759	GROUND WIRE ASM.	FOR DSC-246-7(MACHINE HEAD DELIVERED TO JUS,JE)			1

GAUGE COMPONENTS



GAUGE COMPONENTS

No.	Parts No.	Parts name	Remarks	Level	Cons	Qty
1	21131305	THROAT PLATE	FOR DSC-246			1
2	21135108	FEED DOG	FOR DSC-246			1
3	21134002	FEED DOG	FOR DSC-246-4,-7			1
4	21134200	FEED DOG	FOR DSC-246-4,-7			1
5	21138003	PRESSER FOOT	FOR DSC-246			1
6	21138201	PRESSER FOOT	FOR DSC-246			1
7	B15242450AA	PRESSER FOOT ASM.	FOR DSC-246			1
8	B152424500B	PRESSER FOOT				1
9	21139001	WALKING FOOT	FOR DSC-246			1
10	B147024500B	WALKING FOOT				1

LIST FOR INFORMATION OF CHANGE (1)

As to the place changed, refer to the corresponding Rev.No.
 When previous parts(Obsoleted part)and new parts(Added parts)are
 not interchangeable with each other:
 In this case,even obsoleted parts(D.)can be ordered with the
 obsoleted part number,so select the parts with changed dates and
 place your orders.

変更箇所は、該当Rev.No.版をご参照ください。
 部品の互換性がない変更の場合は、削除された品番でも、ご注文できます。

29026705
 No.0606-04 Rev.No.

*A:Added parts追加部品/D:Obsoleted parts削除部品/E:Erratum訂正

* D	Rev. No.	Page 頁	Ref. No.	Parts No. 品番	* A	Rev. No.	Page 頁	Ref. No.	Parts No. 品番
D	03	2	35	SM-6082002-SP	A	04	2	35	SM-6082002-TP
D	03	2	50	100-04109	A	04	2	50	229-01805
D	03	2	51	CM-3002000-B2					
D	03	2	54	CM-3002001-01					
D	03	2	55	CM-3002001-A1	A	04	2	51	CM-3013000-01
D	03	2	56	CM-3002000-B2					
D	03	4	3	D1206-241-E00	A	04	4	3	401-43250
D	03	4	4	D1201-241-E00	A	04	4	4	401-43249
D	03	4	5	B1202-241-H00	A	04	4	5	401-43251
D	03	4	11	B1211-226-000	A	04	4	11	401-44145
D	03	4	14	TA-0500000-R0					
D	03	4	15	CS-1271012-SH	A	04	4	15	CS-147101A-SH
D	03	4	22	SS-7681750-TP					
D	03	4	23	SS-8681650-TP	A	04	4	23	SM-8080812-TP
D	03	4	25	SS-8151780-SP					
D	03	4	26	SS-8151550-SP	A	04	4	26	SS-8150822-TP
D	03	4	27	SS-8150710-SP	A	04	4	27	SS-8150710-TP
D	03	4	28	SS-8660610-TP					
D	03	6	15	MDP-170B2100	A	04	6	15	M1351-7B1-300
D	03	6	16	MC-3720013-00					
D	03	6	47	110-71701	A	04	6	47	229-07604
D	03	8	19	B1635-145-000	A	04	8	19	401-43673
D	03	8	34	B1650-245-00A	A	04	8	34	401-43489
D	03	8	44	B1647-145-000	A	04	8	44	401-43257
D	03	10	46	WZ-1052010-KP					
D	03	12	1	B1466-563-000	A	04	12	1	400-33030
D	03	12	8	103-14508	A	04	12	8	401-43782
D	03	12	13	D1450-055-B00	A	04	12	13	401-43252
D	03	12	14	D1453-241-E00	A	04	12	14	401-43253
D	03	12	15	B1454-245-000	A	04	12	15	401-43487
D	03	16	21	103-20067	A	04	16	21	103-20075
D	03	16	42	SS-7110570-SP	A	04	16	42	SS-7110510-SP
					A	04	16	43	WS-0310002-KR
D	03	17	24	SS-7111120-SP	A	04	17	24	SS-7110710-SP
					A	04	18	15	229-32453
D	03	18	15	B3433-141-H0A	A	04	18	16	229-32404

HOW TO MAKE USE OF THIS PARTS LIST

1.Explanation of codes

1)"*"mark.....means this part is changed from the previous parts book.

As to the details of the change, refer to the "List for information of change".

2)"#01".....refer to "Note" explanation at bottom of page.

2.Codes on the "Qty" column

- Each numeral indicates the number of parts required.
- "0.1" and "2.5" indicate the length (in meters) of the respective parts.

3.Parentheses mean that the corresponding part is a subpart that constructs an assembly part.

4.Dotted lines on the Figures indicate assembly parts.

1."注記"欄の記号説明

1) "*"印.....前回のパーツブックに比較して今回変更された部品を意味します。

変更内容は、"変更情報リスト"を参照してください。

2) "#01".....ページ下の"注記"の説明を参照してください。

2.数量欄の数字は、個数を表し、0.1、2.5等の数値は、長さ（単位メートル）を表します。

3.数量欄の（ ）は、組部品を構成している子部品であることを意味します。

4.イラストページの-----枠は、組構成であることを意味します。

NUMERICAL INDEX OF PARTS

PART NO	PAGE	REF NO.	PART NO	PAGE	REF NO.	PART NO	PAGE	REF NO.
10119006	16	13	21136700	24	18	40143250	6	3
10119204	16	12	21136809	24	25	40143251	6	5
10119402	16	15	21136908	32	10	40143252	20	13
10119709	16	11	21137104	42	24	40143253	20	14
10119907	16	8	21137203	24	22	40143257	12	44
10120004	16	9	21137302	2	4	40143487	20	15
10124204	28	26	21138003	44	5	40143489	12	34
10161305	16	14	21138201	44	6	40143673	12	19
10314003	20	4	21139001	44	9	40143782	20	8
10320059	28	22	21147806	20	22	40144145	6	11
10320075	28	21	21147855	20	21	B1103051000	2	29
10320109	28	23	21147905	20	26	B1114280000	16	7
10320208	28	29	21147954	20	25	B1116246000	2	13
10320505	28	24	21148002	40	2	B1117246000	2	16
10320703	28	25	21148051	40	1	B1118241H0A	2	12
10321107	10	57	21148150	2	10	B1128246000	2	15
10741759	42	36-39	21148507	2	7	B1128522000	2	25
11072204	28	35	21212600	26	57~61	B1129563000	2	28
11072402	28	38	21212709	26	57~61	B1130051000	2	17
11155108	40	3	21212808	26	57~61	B1130521000	2	20
11155207	40	4	21212907	26	57~61	B11305210A0	2	19
11157567	40	7	21213004	26	57~61	B1131521000	2	21
11415866	36	10	21308200	6	1-2	B1131562000	2	18
13160304	34	30	22860704	6	1-2	B1132521000	2	22
21130505	4	53	22901805	4	50	B1140051000	2	24
21131206	2	1	22907109	8	44	B1147141H00	12	27
21131305	44	1	22907604	8	47	B1148141H00	12	28
21132006	2	2	22932404	34	16	B1150241H0A	2	11
21133103	2	8	22932453	34	15	B1156115000	2	26
21133400	6	32	22933105	42	5-6	B115824500A	42	2
21133509	8	18	22933204	42	5-6	B11582450AA	42	1
21133665	12	1	22933303	42	13	B1171145000	2	3
21134002	44	3	22934202	34	25	B1172245000	12	23-77
21134101	12	12	22934301	34	26	B11732450A0	2	5
21134200	44	4	22934400	34	24	B1174245000	2	6
21135009	12	13	22934509	34	28	B1175245000	14	75
21135108	44	2	22934707	34	17	B1203051000	6	9
21135900	24	27	22958300	42	11	B1203241H00	6	6
21136007	12	17	29183803	36	18	B1204241H00	6	7
21136106	20	45	29183902	42	4	B1208019000	10	59
21136205	20	46-47	40026920	42	35	B1210051000	6	10
21136304	20	46-47	40033030	20	1	B1211141H00	6	8
21136403	22	48	40052256	42	33	B1212012000	6	12
21136502	24	4	40096354	38	1	B1213012000	6	13
21136601	24	8	40143249	6	4	B1213012000	20	12

NUMERICAL INDEX OF PARTS

PART NO	PAGE	REF NO.	PART NO	PAGE	REF NO.	PART NO	PAGE	REF NO.
B1302241H00	6	33	B1620245000	12	32	B1837241H0C	22	61
B1303271000	6	34	B1621241H00	16	40	B183924500A	22	53
B13050120A0	6	36	B1622241H00A	12	33	B183924500B	22	54
B13052710B0	6	35	B16232450A0	12	35	B183924500C	22	55
B13061550C0	6	37	B162458600A	16	42	B185351200AA	24	38~42
B13071550A0	6	38	B1627241H00	16	2	B185351200BA	24	38~42
B13081550A0	6	14	B163214500A	12	3~11	B185351200CA	24	38~42
B1410771000	8	8	B163214500B	12	3~11	B185351200D	24	38~42
B1414232000	8	7	B163214500C	12	3~11	B185351200E	24	38~42
B1414555000	20	19	B163214500D	12	3~11	B1906051000	8	32
B1419245000	8	3	B163214500E	12	3~11	B2115271000	14	48
B1420563000	8	1	B163214500E	42	26	B2733761000	16	10
B1424158000	8	19	B163214500F	12	3~11	B3008141H00	20	5
B1424158000	14	46	B163214500G	12	3~11	B3031141H00	24	34
B1428563000	8	9	B163214500H	12	3~11	B3114761000	28	17
B1429241H00	8	14	B163214500J	12	3~11	B3120125000	28	34
B1431241H00	8	4	B163214500J	42	25	B3121245000	28	4
B1434245000	8	5	B1633245000	12	16	B31212450A0	28	1
B1437051000	32	8	B1634145000	12	18	B3122053000	28	13
B1455053000	20	3	B1634245000	14	47	B3123051000	28	5
B1460245000	8	42	B1636145000	12	20	B3124051000	28	6
B14602460A0	10	55	B163624500A	14	49	B3125012000	28	2
B1461245000	10	48	B1637141H00	14	50	B3126051000	28	31
B1462053000	10	56	B1637145000	12	21	B3127051000	28	30
B14670530A0	20	9	B1638141H00	14	51	B3128051000	28	27
B1467563000	20	20	B1638245000	12	22	B3129053000	28	33
B1468053000	20	10	B1639245000	14	45	B3132051000	28	32
B1470245000	20	2	B1640245000	12	24	B3134051000	28	11
B147024500B	44	10	B1641245000	12	25	B31370510A0	28	12
B1501241H00	8	36	B1642245000	12	26	B31375270A0	28	28
B1509141H00	8	39	B1643145000	12	37	B3138512000	28	44
B1510141H00	8	38	B1644245000	12	38	B3214047000	28	36
B1512141H00	8	40	B1645245000	12	39	B3414245000	34	4
B1515051000	8	41	B1646241H00	16	47	B3415245000	34	2
B152424500B	44	8	B1646245000	12	40	B3416141H00A	34	3
B15242450A0	8	37	B1647245000	12	43	B3418245000	34	5
B15242450AA	44	7	B1648122000	18	48	B3420245000	34	12
B1603145000	12	36	B1651245000	14	60	B34202450A0	34	11
B1605201000	6	28	B1652245000	14	62	B3421245000	34	31
B1605245000	12	29	B1653245000	14	63	B34212450A0	34	29
B1606245000	12	15	B1660145000	14	52	B3422245000	34	13
B1614245000	12	30	B1702012000	20	11	B3423245000	34	14
B1617241H00	12	41	B1806038000	22	52	B3424141H00	34	22
B1618241H00	12	42	B1830241HA0	22	59	B3424245000	34	19
B1619241H00	12	31	B1837241H00	22	60	B3425141H00	34	18

NUMERICAL INDEX OF PARTS

PART NO	PAGE	REF NO.	PART NO	PAGE	REF NO.	PART NO	PAGE	REF NO.
B3425245000A	34	20	D1411241E00	8	13	D2414245E00	24	14·21
B34262450A0	34	23	D1412241E00	8	12	D2414245E0A	24	14·21
B3434141H00	34	21	D1423241E00	8	17	D2415245E00	24	29
B3502115000	32	3	D1455055B00	20	16	D2415245EA0	24	28
B3508512000	32	9	D1456055B00	20	17	D2416245E00	24	15
B3517009000	2	27	D1458241E00	20	6	D2417245E00	24	33
B71140120A0	40	8	D1459241E00	20	7	D2417245EA0	24	32
B820424500A	42	12	D1462241E00	8	43	D2418245E00	24	16
B8217241H00	32	1	D1463241E00	8	46	D2419245E00	24	17
B8218241H00	32	2	D1464241E0A	8	45	D2421245E00	24	19
B910124500A	36	2	D1481241E00	20	23	D2423245E00	24	35
B91012450AA	36	1	D1483241E00	20	27	D2425245E00	24	23
B9101552000	42	30	D1484241E00	20	29	D2426245E00	24	24
B91022450AA	36	4	D1485241E00	20	31	D2428141E00	26	47
B910424600A	36	5	D1486241E00	20	32	D2428245E00	24	26
B9106245000	36	6	D1606245E00	12	14	D2430245EA0	26	46
B9108245000	36	7	D1621241E00	16	39	D2431245E00	24	43
B9111245000	42	15	D1624241E0A	16	41	D2432245E00	24	37
B911224500A	36	14	D1630145EA0A	12	2	D2432245E0A	24	20
B91122450AA	36	13	D1680141EA0	16	6	D2433245E00	26	83
B911324500A	36	15	D1681241E0A	16	1	D2434245E00	26	77
B9117201000	22	51	D1684141E00A	16	16	D2435245E00	26	66
B9117201000	42	8	D1685141E00	16	19	D2436141E00	24	45
B91212200A0	42	10	D1686241E00	16	18	D2436245E00	26	87
B9130245000	42	21	D1687141E00	16	20	D2441141E00	26	85
BP300000000	16	38	D1830141EA0	22	49	D2464555B00	16	17
BP800000000	32	21	D1837141EA0	22	57	D3168555H0B	28	37
BT0630520Z0	42	20	D1838141E00	22	58	D3410241E00	34	1
CM300200002	4	52·54	D1841141E00	24	44	D3501241E00	32	4
CM301300001	4	51	D1905241E00	8	31	D3502241E00	32	7
CM500300001	36	3	D1907241E00	8	33	D3502241E0A	32	5
CQ202000000	8	34	D2120555C00	26	49	D3503241E00	32	6
CQ202000000	32	17	D2401245E00	24	1	D3505241E00	8	22
CQ252000000	6	20	D2402245E00	24	2	D3505241E00	32	19
CQ252000000	8	16	D2402245E00	42	27	D6037245GA0	24	7
CQ252000000	32	20	D2403245E00	24	3	D7101245E00	42	16
CQ303000000	6	17	D2405245E00	22	62	D7102245E00	42	17
CQ303000000	20	28	D2405245E00	24	5	D8204555D00	40	5
CQ505000000	6	16	D2406245E0A	24	6	D9117141E00	22	50
CS147101ASH	6	15	D2409245E00	24	9	D9117141E00	42	9
D1158241E0A	2	9	D2410245E00	24	10	EA9500B0100	32	18
D1172245E00	14	23·77	D2411245E00	24	11	GES12153000	24	36
D1173245E00	4	49	D2412245E00	24	12	GES12153000	42	28
D1401245E00	8	10	D2413245E00	24	13	GES12155000	16	21
D1408241E00	8	11	D2414141E00	2	14	HK034610140	26	55

NUMERICAL INDEX OF PARTS

PART NO	PAGE	REF NO.	PART NO	PAGE	REF NO.	PART NO	PAGE	REF NO.
HK03464000B	26	62	SM6082002TP	2	35	SS7110710SP	32	25
J106600000F	42	14	SM8080812TP	6	23	SS7110710SP	42	18
M13517B1300	8	15	SM9061203SE	34	27	SS7110730SP	34	10
M13517B1302	42	7	SS2090710SP	2	44	SS7110910SP	26	71
MAO11532000	42	29	SS2090710SP	28	20	SS7110910TP	20	40
MAT81126T00	16	5	SS2090810SP	14	73	SS7111120SP	20	41
MTJVM00530A	42	32	SS2110915SP	2	40	SS7111120SP	26	72
MTSP00750B0	42	31	SS3090520SP	2	41	SS7111310SP	10	53
NM6060001SD	42	23	SS3090610SP	2	39	SS7111410TP	26	73
NS6060350SP	28	18	SS3090710TP	28	41	SS7111810SP	8	28
NS6110310SP	28	40	SS4080610SP	28	16	SS7111810SP	32	23
NS6110350SP	30	48	SS5060310SP	26	82	SS7121410SP	16	26
NS6110530SP	20	34	SS5110710SP	14	66	SS7150740SP	10	50
NS6150430SP	16	22	SS6060210SP	14	61	SS7150740SP	42	3
NS6150430SP	42	19	SS6081210SP	14	59	SS7150940SP	2	46
NS6620310SP	34	8	SS6090510SP	26	81	SS7151210SP	8	23
NS6660430SP	20	35	SS6090610SP	14	76	SS7151210SP	14	68
NS6680320SP	14	57	SS6090810SP	26	76	SS7151210SP	16	28
NS6680410SP	14	58	SS6090910TP	10	54	SS7151330SP	14	70
PS0200122K0	28	14	SS6110480SP	36	8	SS7620750SP	16	43
PS060024100	34	33	SS6110710TP	20	36	SS7621040SP	10	52
PS0600502KP	10	58	SS6111140SP	28	47	SS8090410SP	26	78
PS0600602KP	2	36	SS6111140SP	36	9	SS8110410TP	14	71
PT0301600S0	8	20	SS6121050SP	14	67	SS8110510SP	2	47
RE0300000K0	14	55	SS6121210SP	16	3	SS8150710SP	6	31
RE0400000K0	16	36	SS6151220SP	14	69	SS8150710SP	16	4
RE0600000K0	16	37	SS6151220SP	20	33	SS8150710TP	6	27
RE0700000K0	8	27	SS7060310SP	26	79	SS8150710TP	8	29
RE0700000K0	14	56	SS7080510TP	8	24	SS8150710TP	14	64
RO074240100	14	54	SS7080510TP	32	22	SS8150822TP	6	26
SD0380551SL	2	23	SS7080520SP	14	74	SS8150830SP	8	30
SD0470281SP	28	39	SS7090520SP	28	45	SS8150830SP	14	65
SD0640231SP	14	53	SS7090610SP	2	48	SS8151150SP	8	35
SD0640321SP	26	84	SS7090610SP	4	48	SS8151230SP	26	69
SD0720331SP	16	23	SS7090710SP	16	46	SS8151550SP	6	29
SD0790351SP	34	7	SS7090910SP	8	25	SS8151550SP	22	56
SD0790361SP	34	6	SS7091410SP	26	74	SS8660410SP	26	63
SD0800352SP	2	31	SS7110510SP	20	39	SS8660530TP	20	30
SD0800481SP	10	49	SS7110510SP	28	42	SS8660530TP	26	64
SK1483201SE	34	32	SS7110540SP	26	70	SS8660610TP	20	38
SK3311600SE	40	6	SS7110710SP	2	43	SS8660612TP	26	75
SK3482500SC	36	16	SS7110710SP	16	30	SS8660810TP	16	45
SK3513200SC	40	9	SS7110710SP	20	43	SS8661040TP	16	44
SM4040601SC	42	34	SS7110710SP	26	86	SS8701042TP	14	72
SM6031202TP	6	22	SS7110710SP	28	46	SS9111010SP	16	27

NUMERICAL INDEX OF PARTS

PART NO	PAGE	REF NO.
SS9161610SP	20	37
TA0500601M0	6	21
TA1050504R0	2	32
TA1250406R0	2	30
TA2100904R0	2	33
WP0371016SD	26	54
WP0371026SD	26	50
WP0430800SC	42	37
WP0450000SD	20	44
WP0482086SD	20	18
WP0501016SC	36	17
WP0501016SD	16	35
WP0501016SD	26	52
WP0621016SD	16	33
WP0621016SD	34	9
WP0751576SD	42	22
WS0310002KR	28	43
WS0410002KN	26	48
WS0410002KN	42	38
WS0631510KP	16	34
WT0530002KS	26	53