

MODEL : TSN-421/TSC-441

List No : 0602-03

# PARTS LIST

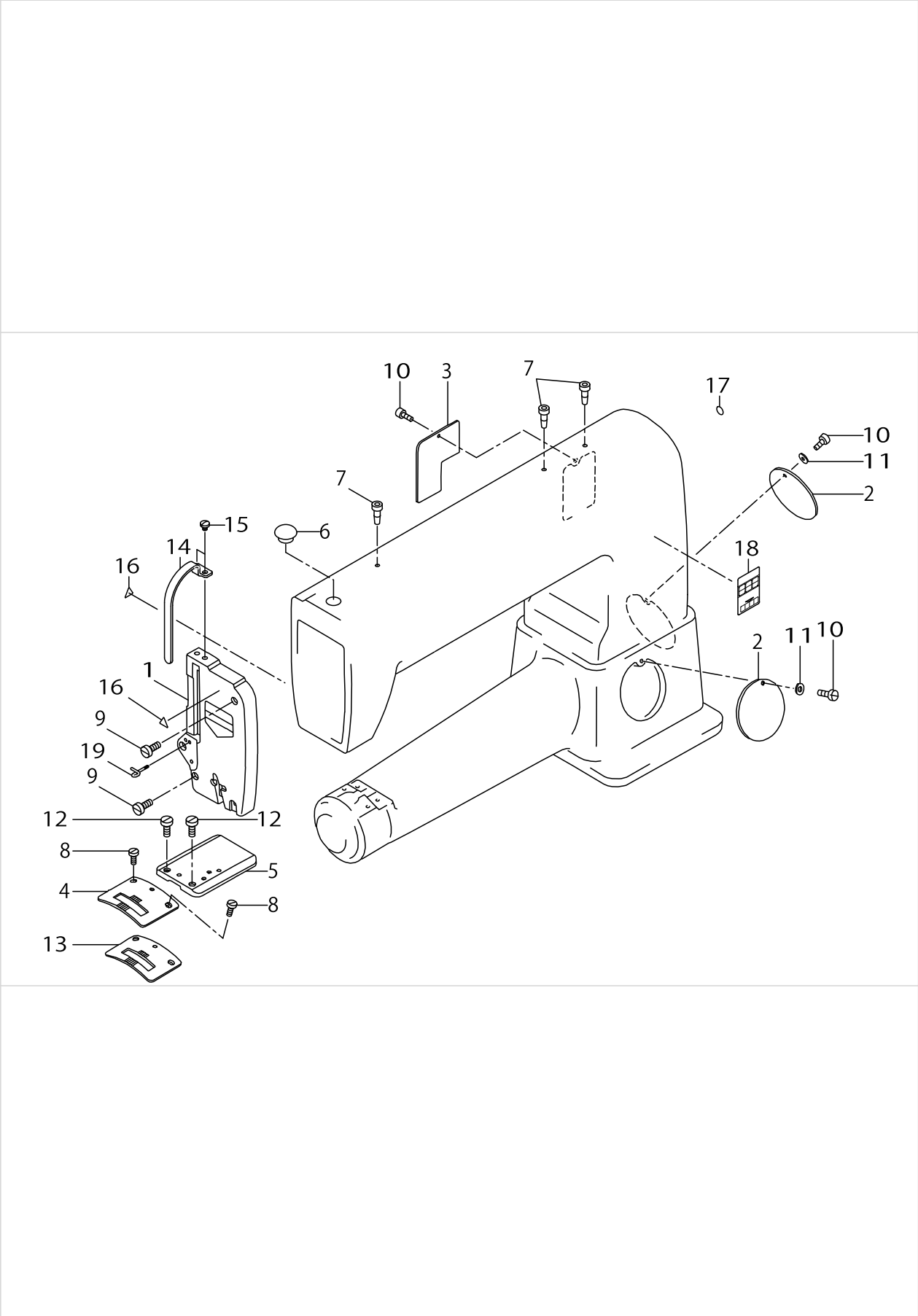
Published:09/10/2017

## CONTENTS

---

FRAME & MISCELLANEOUS COVER COMPONENTS .....	1
MAIN SHAFT COMPONENTS .....	3
NEEDLE BAR & UPPER FEED MECHANISM COMPONENTS .....	5
PRESSURE BAR COMPONENTS .....	9
FEED MECHANISM COMPONENTS .....	11
HOOK DRIVING SHAFT COMPONENTS .....	13
TENSION POST COMPONENTS .....	17
THREAD WINDER & THREAD GUIDE COMPONENTS .....	19
KNEE LIFTER COMPONENTS .....	21
BELT COVER COMPONENTS .....	23
THREAD STAND COMPONENTS .....	25
TABLE COMPONENTS .....	27
ACCESSORIES PARTS COMPONENTS .....	29
LIST FOR INFORMATION OF CHANGE .....	31
HOW TO MAKE USE OF THIS PARTS LIST .....	32

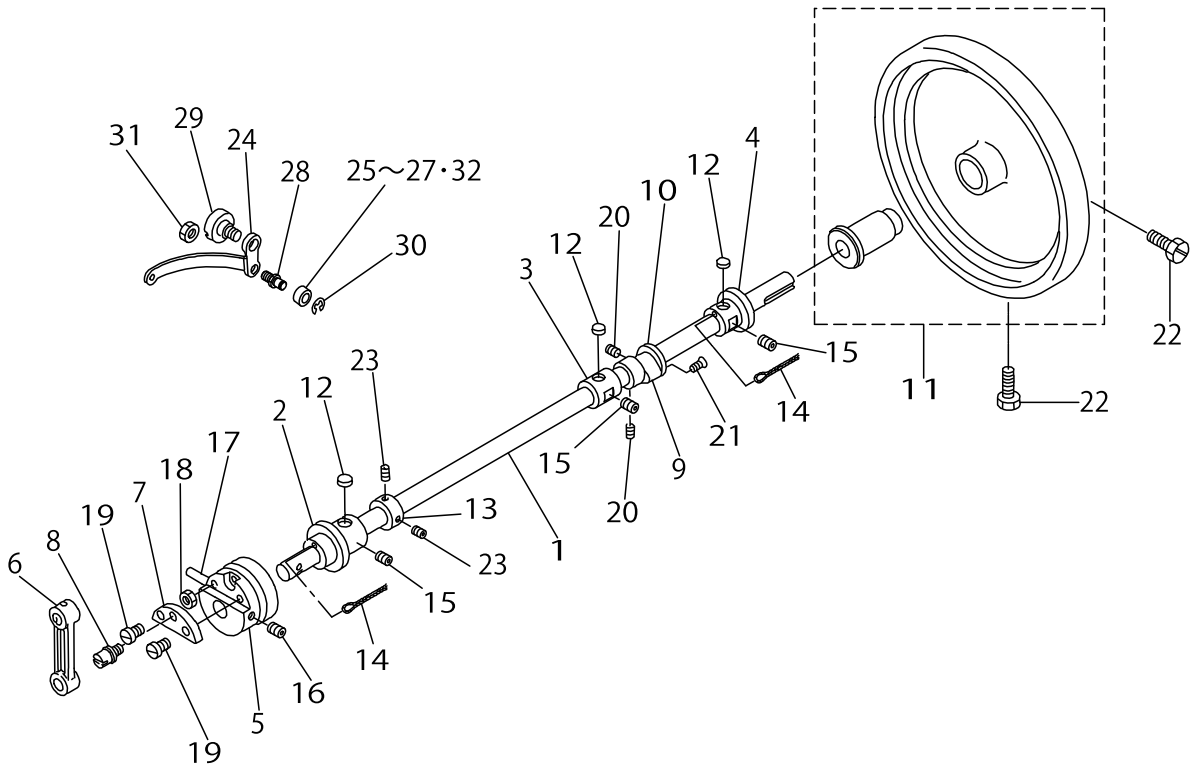
FRAME & MISCELLANEOUS COVER COMPONENTS



FRAME & MISCELLANEOUS COVER COMPONENTS

No.	Parts No.	Parts name	Remarks	Level	Cons	Qty
1	21096359	FACE PLATE ASM.				1
2	21148507	SIDE COVER				2
3	21164603	SIDE COVER B				1
4	21160205	THROAT PLATE				1
5	21151006	SLIDE PLATE				1
6	TA1250406R0	RUBBER PLUG D=12.5 L=4				1
7	B1156026000	OIL PIPE				3
8	SS7120910SP	SCREW 3/16-28 L=9				2
9	SS6151920SP	SCREW 15/64-28 L=19.0				2
10	SS7090710SP	SCREW 9/64-40 L= 6.8				3
11	WZ0430390KP	WASHER				2
12	SS7111110TP	SCREW 11/64-40 L=10.5				2
13	21160304	THROAT PLATE (SHORT)	OPTIONAL PARTS			1
14	21097605	THREAD TAKE-UP COVER (JE)				1
15	SS7150740SP	SCREW 15/64-28 L=7				2
16	CM300200001	ATTENTION SEAL				2
17	22901805	GROUND MARK				1
18	CM301200002	SAFETY LABEL_L				1
19	21059514	THREAD RACK				1

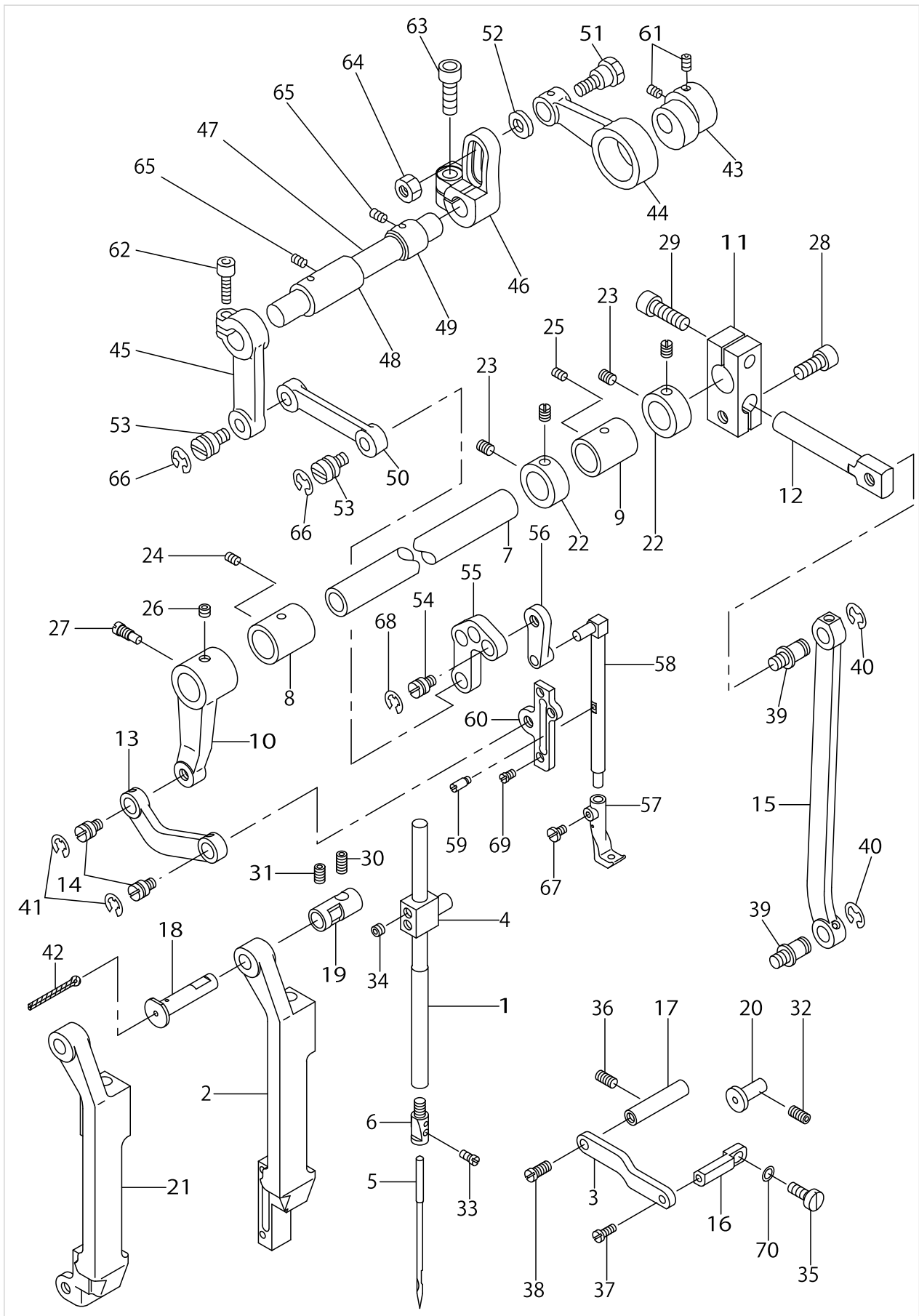
MAIN SHAFT COMPONENTS



MAIN SHAFT COMPONENTS

No.	Parts No.	Parts name	Remarks	Level	Cons	Qty
1	21044508	MAIN SHAFT				1
2	21044607	MAIN SHAFT BUSHING, FRONT				1
3	21044706	MAIN SHAFT BUSHING, CENTER				1
4	21044805	MAIN SHAFT BUSHING, REAR				1
5	21044904	THREAD TAKE-UP CAM				1
6	21091707	CRANK ROD				1
7	21045109	CRANK PLATE				1
8	21045604	NEEDLE BAR CRANK SHAFT				1
9	21151402	FEED CAM				1
10	21045505	SIDE PLATE				1
11	21067855	HEND WHEEL ASM.				1
12	21045406	FELT				3
13	21045703	THRUST COLLAR				1
14	CQ202000000	OIL WICK				0.2
15	SS8151550SP	SCREW 15/64-28 L=15				3
16	SS8660612TP	SCREW 1/4-40 L=6				2
17	PT0405600SH	TAPER PIN				1
18	NS6680410SP	NUT 9/32-28				1
19	SS1681140SP	SCREW 9/32-28 L=11				2
20	SS8150710SP	SCREW 15/64-28 L=7				2
21	SS2110915SP	SCREW 11/64-40 L=8.5				2
22	SS9702110SP	SCREW				2
23	SS8660610TP	SCREW 1/4-40 L=6				2
24	21091806	THREAD TAKE-UP LEVER				1
25	21046008	BALANCE ROLLER.				1
26	21046107	ROLLER	SELECTIVE PARTS			1
27	21046206	ROLLER	SELECTIVE PARTS			1
28	21046313	ROLLER STUD				1
29	SD1070901TP	HINGE SCREW				1
30	RE0400000K0	E-RING 4				1
31	NS6680410SP	NUT 9/32-28				1
32	40027078	ROLLER	SELECTIVE PARTS			1

NEEDLE BAR & UPPER FEED MECHANISM COMPONENTS

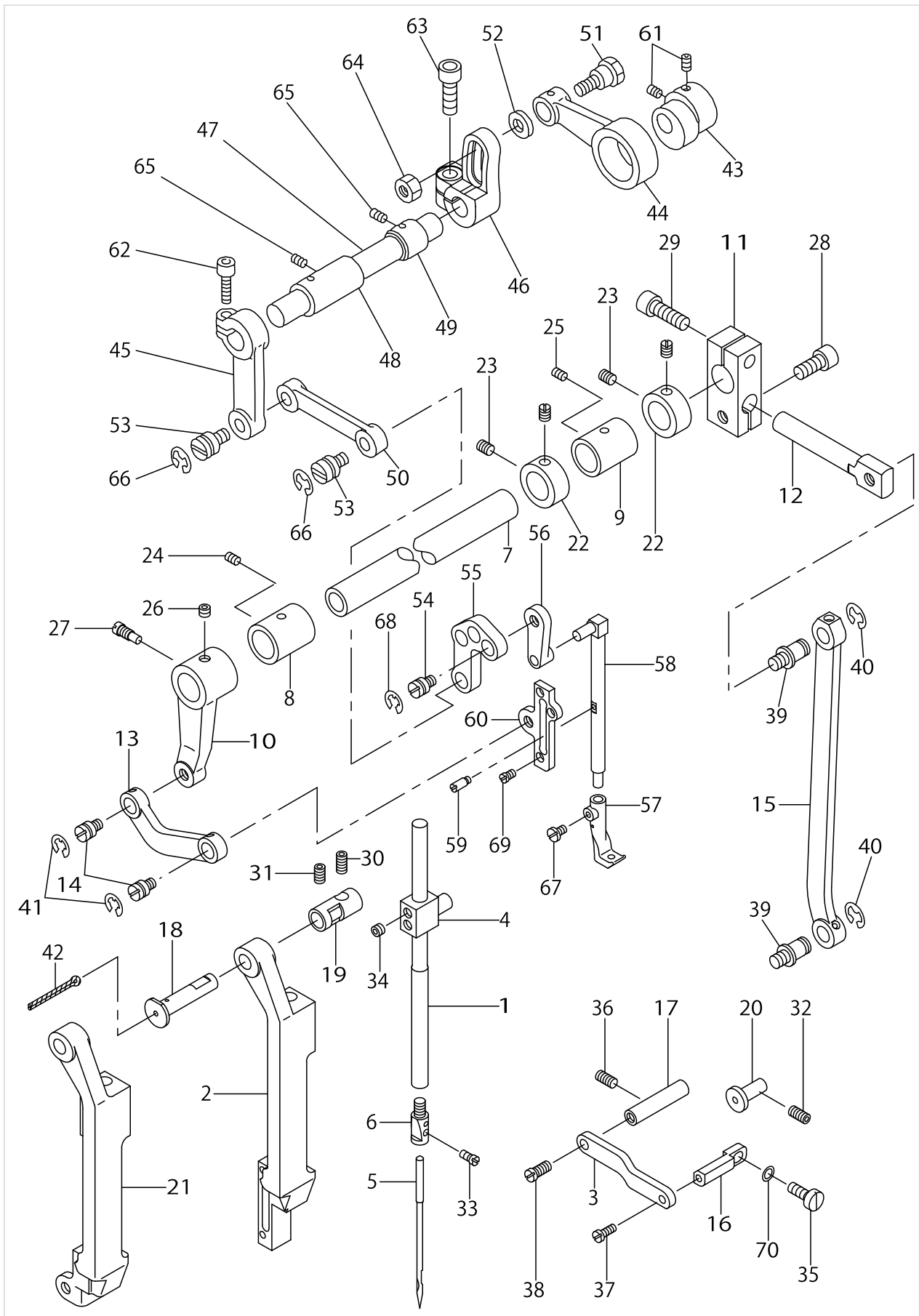


NEEDLE BAR & UPPER FEED MECHANISM COMPONENTS

No.	Parts No.	Parts name	Remarks	Level	Cons	Qty
1	21092002	NEEDLE BAR				1
2	21092101	FRAME DRIVING BASE	FOR TSC-441			1
3	21092200	PRESSURE PLATE				1
4	21092309	NEEDLE BAR CONNECTION				1
5	MC532002300	NEEDLE (794 NM=230)				1
6	21092408	NEEDLE STOPPER				1
7	21092507	DRIVING SHAFT				1
8	21092606	DRIVING SHAFT FRONT METAL				1
9	21092705	DRIVING SHAFT REAR METAL				1
10	21092804	DRIVING SHAFT FRONT ARM				1
11	21161617	DRIVING SHAFT REAR ARM A				1
12	21161708	DRIVING SHAFT REAR ARM B				1
13	21093000	FRAME DRIVING LINK				1
14	21048707	HINGE SCREW				2
15	21161807	NEEDLE BAR FRAME DRIVING ROD				1
16	21093208	PRESSURE PLATE				1
17	21093307	PRESSURE SHAFT				1
18	21093406	FRAME DRIVING BASE SHAFT				1
19	21093505	FRAME DRIVING BASE SHAFT METAL				1
20	21093604	FRAME DRIVING BASE GUIDE				1
21	21165303	FRAME DRIVING BASE	FOR TSN-421			1
22	CS1801211SH	THRUST COLLAR D=18 W=12				2
23	SS8660810TP	SCREW 1/4-40 L=8				4
24	SS8150710SP	SCREW 15/64-28 L=7				1
25	SS8150710SP	SCREW 15/64-28 L=7				1
26	SS8660512TP	SCREW 1/4-40 L=5				1
27	SS7151550SP	SCREW 15/64-28 L=14.5				1
28	SM6081802TP	SCREW				1
29	SM6082502TP	SCREW M8 L=25				1
30	SM8061212TP	SCREW M6X12				1
31	D2446141E00	METAL SCREW				1
32	SM8061212TP	SCREW M6X12				1
33	SS6110710TP	SCREW 11/64-40 L= 6.5				1
34	SS8660512TP	SCREW 1/4-40 L=5				2
35	SM6061650TP	SCREW				1
36	SM8061212TP	SCREW M6X12				1
37	SS7111120SP	SCREW 11/64-40 L=10.5				1
38	SS7151120SP	SCREW 15/64-28 L=11				1
39	B1424158000	HINGE SCREW				2
40	RE0700000K0	E-RING 7				2
41	RE0800000K0	E-SHAPED SNAP RING (8MM)				2
42	CQ202000000	OIL WICK				1
43	21049200	DRIVING CAM	FOR TSC-441			1
44	21049309	CONNECTING ROD	FOR TSC-441			1
45	21049408	DRIVING SHAFT ARM, FRONT	FOR TSC-441			1
46	21049515	DRIVING SHAFT ARM, REAR	FOR TSC-441			1
47	21049606	FEED ROCKER SHAFT	FOR TSC-441			1



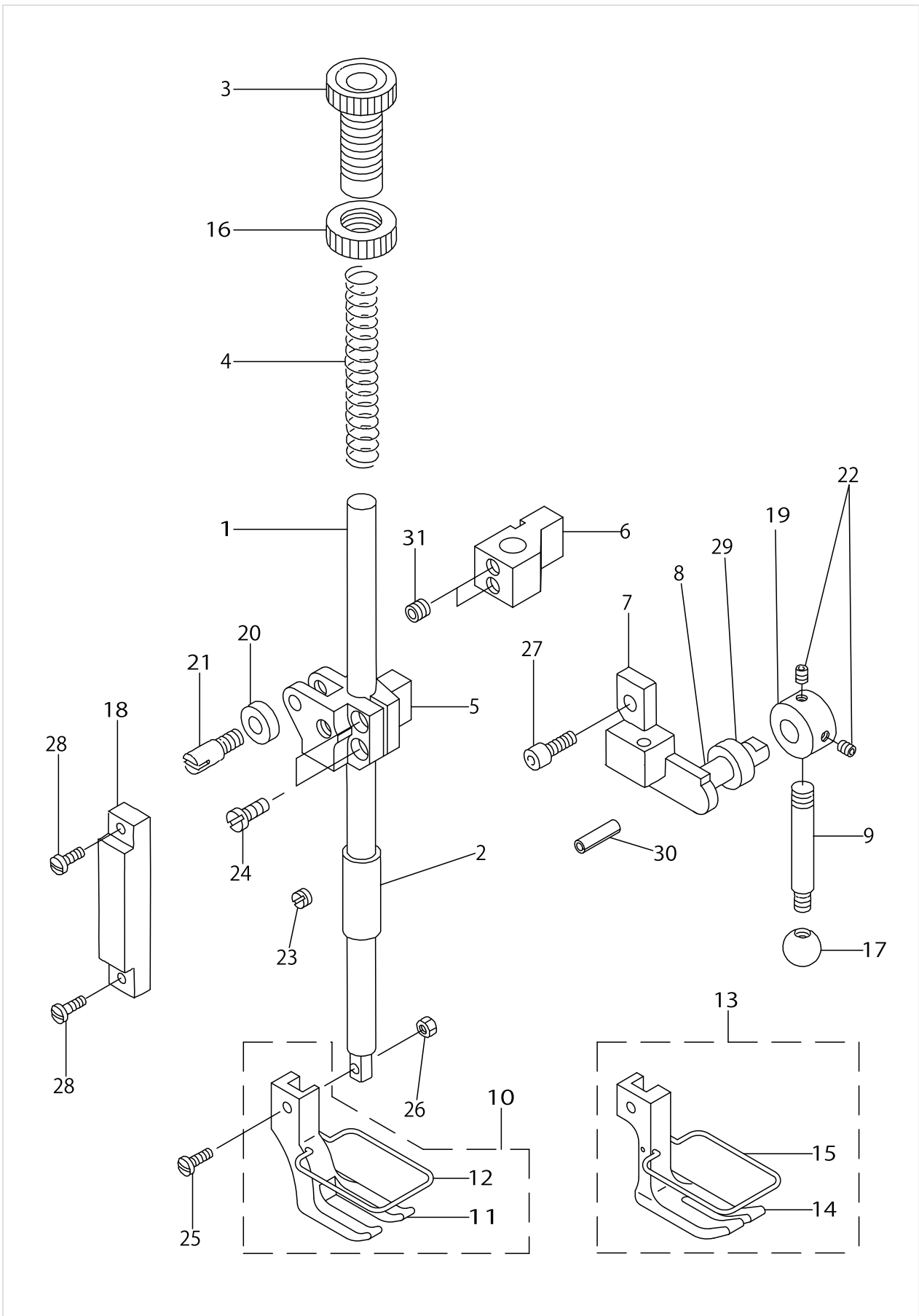
NEEDLE BAR & UPPER FEED MECHANISM COMPONENTS



NEEDLE BAR & UPPER FEED MECHANISM COMPONENTS

No.	Parts No.	Parts name	Remarks	Level	Cons	Qty
48	21049705	BUSHING, FRONT	FOR TSC-441			1
49	21049804	BUSHING, REAR	FOR TSC-441			1
50	21049903	ROD	FOR TSC-441			1
51	21050000	HINGE SCREW	FOR TSC-441			1
52	21050109	WASHER	FOR TSC-441			1
53	21048707	HINGE SCREW	FOR TSC-441			2
54	21048707	HINGE SCREW	FOR TSC-441			2
55	21093901	L-LINK	FOR TSC-441			1
56	21094008	UPPER FEED FRAME DRIVING LINK	FOR TSC-441			1
57	21094107	WALKING FOOT	FOR TSC-441			1
58	21094701	UPPER FEED BAR	FOR TSC-441			1
59	21094800	UPPER FEED BAR PIN	FOR TSC-441			1
60	21094909	UPPER FEED BAR GUIDE	FOR TSC-441			1
61	SS8660610TP	SCREW 1/4-40 L=6	FOR TSC-441			2
62	SM6061552TP	SCREW M6 L=15	FOR TSC-441			1
63	SM6081802TP	SCREW	FOR TSC-441			1
64	NS6720440SP	NUT 11/32-28	FOR TSC-441			1
65	SS8150710SP	SCREW 15/64-28 L=7	FOR TSC-441			2
66	RE0800000K0	E-SHAPED SNAP RING (8MM)	FOR TSC-441			2
67	SS7110840SP	SCREW 11/64-40 L=7.8	FOR TSC-441			1
68	RE0800000K0	E-SHAPED SNAP RING (8MM)	FOR TSC-441			2
69	SS7110540SP	SCREW 11/64-40 L=5	FOR TSC-441			3
70	WP0621026SP	WASHER 6.2X9.5X1				1

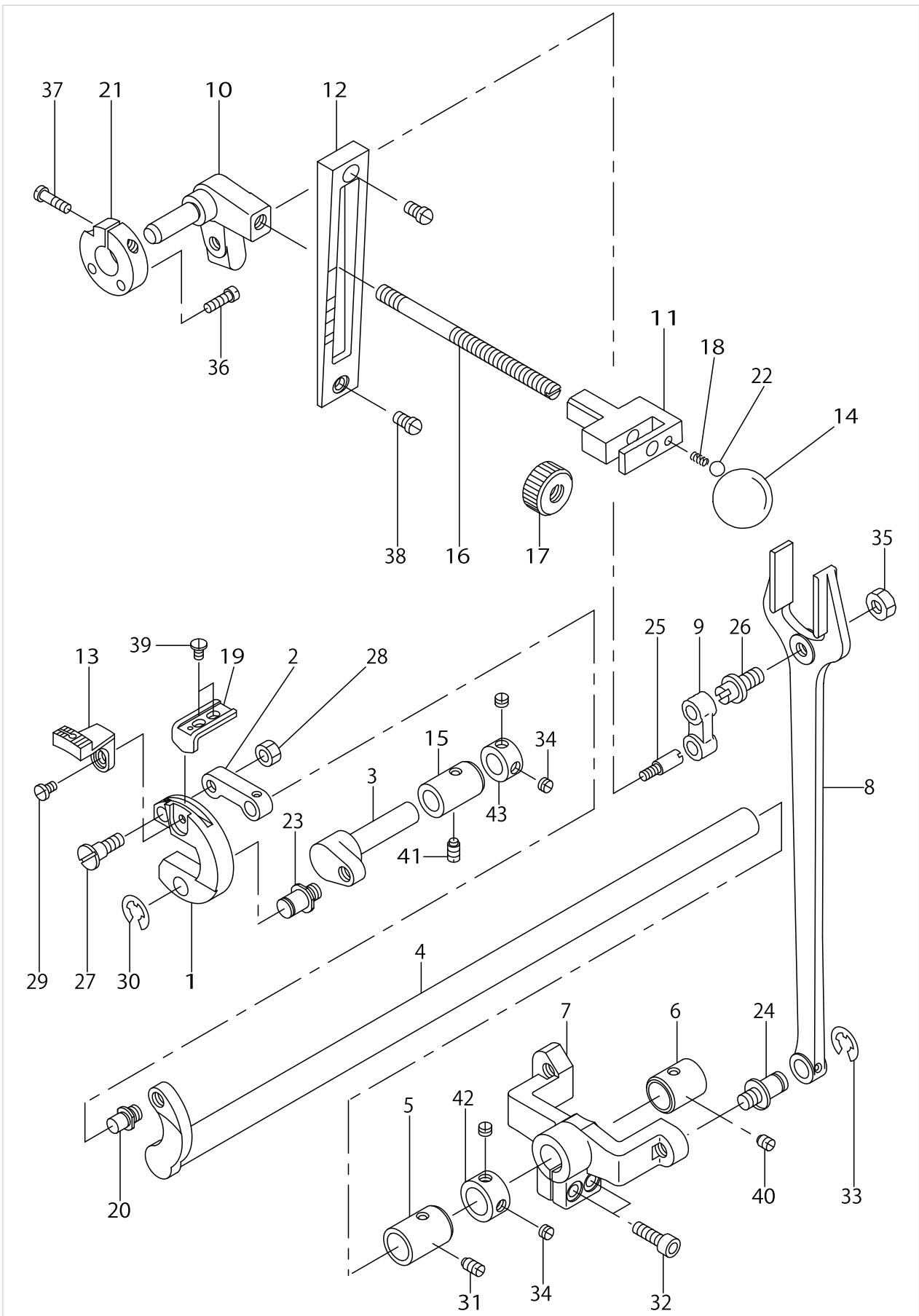
PRESSURE BAR COMPONENTS



PRESSURE BAR COMPONENTS

No.	Parts No.	Parts name	Remarks	Level	Cons	Qty
1	21050505	PRESSER BAR				1
2	21050604	PRESSER BAR BUSHING				1
3	21050703	SCREW				1
4	21050802	SPRING				1
5	21095005	PRESSER BAR GUIDE BRACKET	FOR TSC-441			1
6	21165402	PRESSER BAR GUIDE BRACKET	FOR TSN-421			1
7	21051008	HAND LIFTER LINK				1
8	21051107	HAND LIFTER CAM				1
9	21051206	HAND LIFTER LEVER				1
10	21095153	PRESSER FOOT ASM.	FOR TSC-441			1
11	21095104	PRESSER FOOT		*		1
12	21097506	GUARD		*		1
13	21165550	PRESSER FOOT ASM.	FOR TSN-421			1
14	21165501	PRESSER FOOT		*		1
15	21097506	GUARD		*		1
16	21051305	NUT				1
17	21051404	GRIP				1
18	21051503	GUIDE PLATE	FOR TSC-441			1
19	21051602	THRUST COLLAR				1
20	21051701	ROLLER FOLLOWER	FOR TSC-441			1
21	21051800	GUIDE NUT	FOR TSC-441			1
22	SS8660512TP	SCREW 1/4-40 L=5				2
23	SS8150410SP	SCREW 15/64-28 L=4				1
24	SS6121210SP	SCREW 3/16-28 L=12				2
25	SS7091410SP	SCREW 9/64-40 L=13.5				1
26	NS6090310SP	NUT 9/64-40				1
27	SS6660622TP	SCREW				1
28	SS7621040SP	SCREW 3/16-32 L= 9.5				2
29	B1662562000	COLLAR				1
30	PS0300201KP	SPRING PIN 3.0X20				1
31	SS8660612TP	SCREW 1/4-40 L=6	FOR TSN-421			2

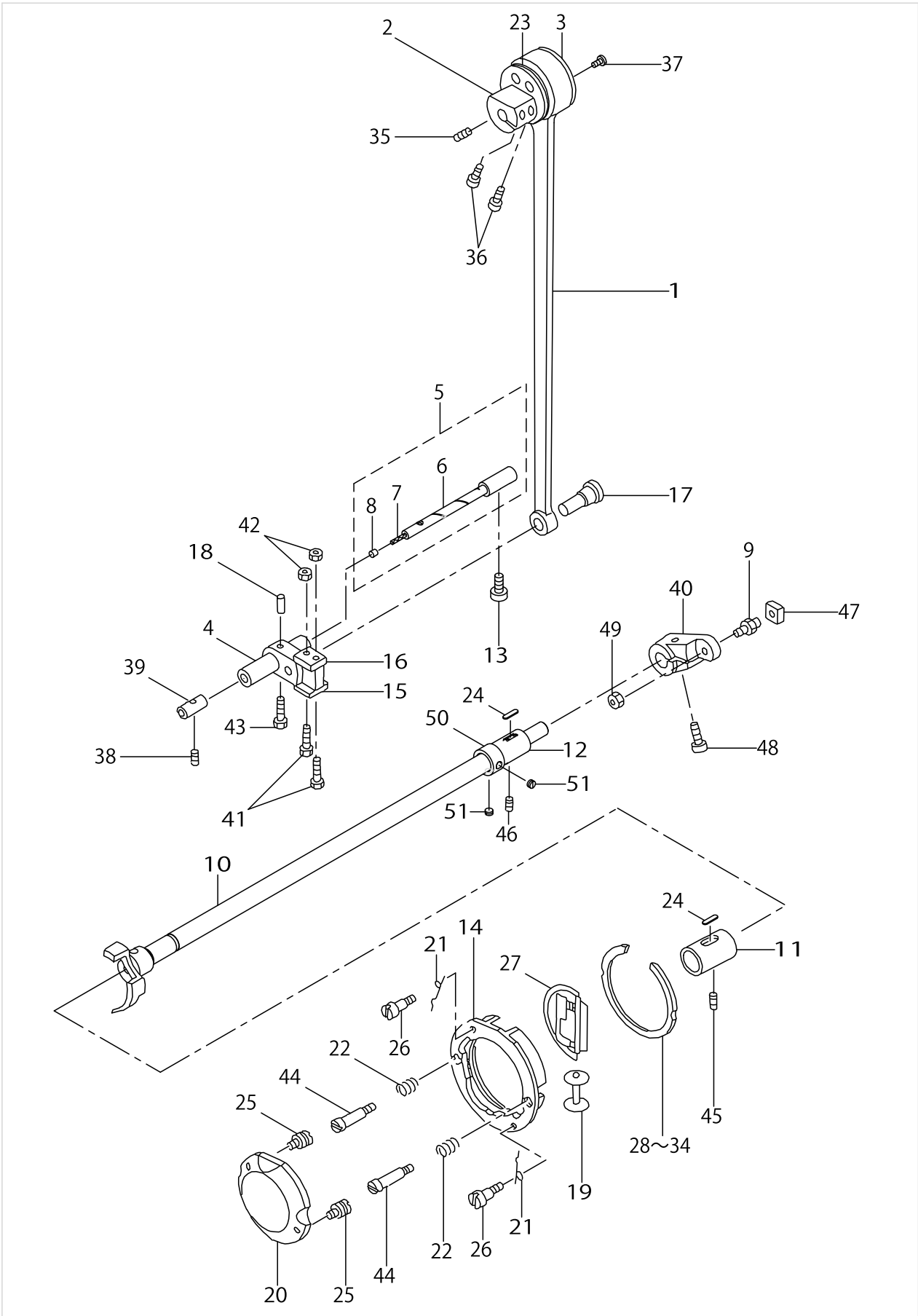
FEED MECHANISM COMPONENTS



FEED MECHANISM COMPONENTS

No.	Parts No.	Parts name	Remarks	Level	Cons	Qty
1	21151907	FEED BAR				1
2	21152004	FEED BAR LINK				1
3	21152103	DRIVING SHAFT				1
4	21152251	FEED ROCKER SHAFT ASM.				1
5	21152400	BUSHING, FRONT				1
6	21152509	BUSHING, REAR				1
7	21162003	FEED ROCK SHAFT CRANK				1
8	21152707	ROD				1
9	B1619241H00	FEED CONNECTING LINK				1
10	21152806	FEED REGULATOR				1
11	21054606	LEVER				1
12	21152905	SIDE COVER				1
13	21162300	FEED DOG				1
14	21054507	LEVER GRIP				1
15	21153606	DRIVING SHAFT METAL				1
16	21054408	LEVER SHAFT				1
17	21054705	NUT				1
18	21054804	SPRING				1
19	21153705	FEED BAR PRESSURE				1
20	21153804	HINGE SCREW				1
21	21153903	SUPPORT PLATE				1
22	21054903	BALL				1
23	21026901	HINGE SCREW				1
24	B1424158000	HINGE SCREW				1
25	B1617241H00	HINGE SCREW, A				1
26	B1618241H00	HINGE SCREW, B				1
27	SD0790801SP	HINGE SCREW D=7.94 H=8				1
28	NS6160520SP	NUT 1/4-24				1
29	SS7110840SP	SCREW 11/64-40 L=7.8				1
30	RE0800000K0	E-SHAPED SNAP RING (8MM)				1
31	SS8151150SP	SCREW 15/64-28 L=10.5				1
32	SM6061802TP	SCREW M6 L=18				2
33	RE0700000K0	E-RING 7				1
34	SS8660330SP	SCREW 1/4-40 L= 3.0				4
35	NS6680410SP	NUT 9/32-28				1
36	SS6121610TP	SCREW 3/16-28 L=15.5				2
37	SS6621840SP	SCREW 3/16-32 L=18.0				1
38	SS7150740SP	SCREW 15/64-28 L=7				2
39	SS6110610TP	SCREW 11/64-40 L=6				2
40	SS8150750SP	SCREW 15/64-28 L=7				1
41	SS8151150SP	SCREW 15/64-28 L=10.5				1
42	22904106	MAIN SHAFT THRUST COLLAR				1
43	CS1111019SH	THRUST COLLAR D=11.11 W=10				1

# HOOK DRIVING SHAFT COMPONENTS

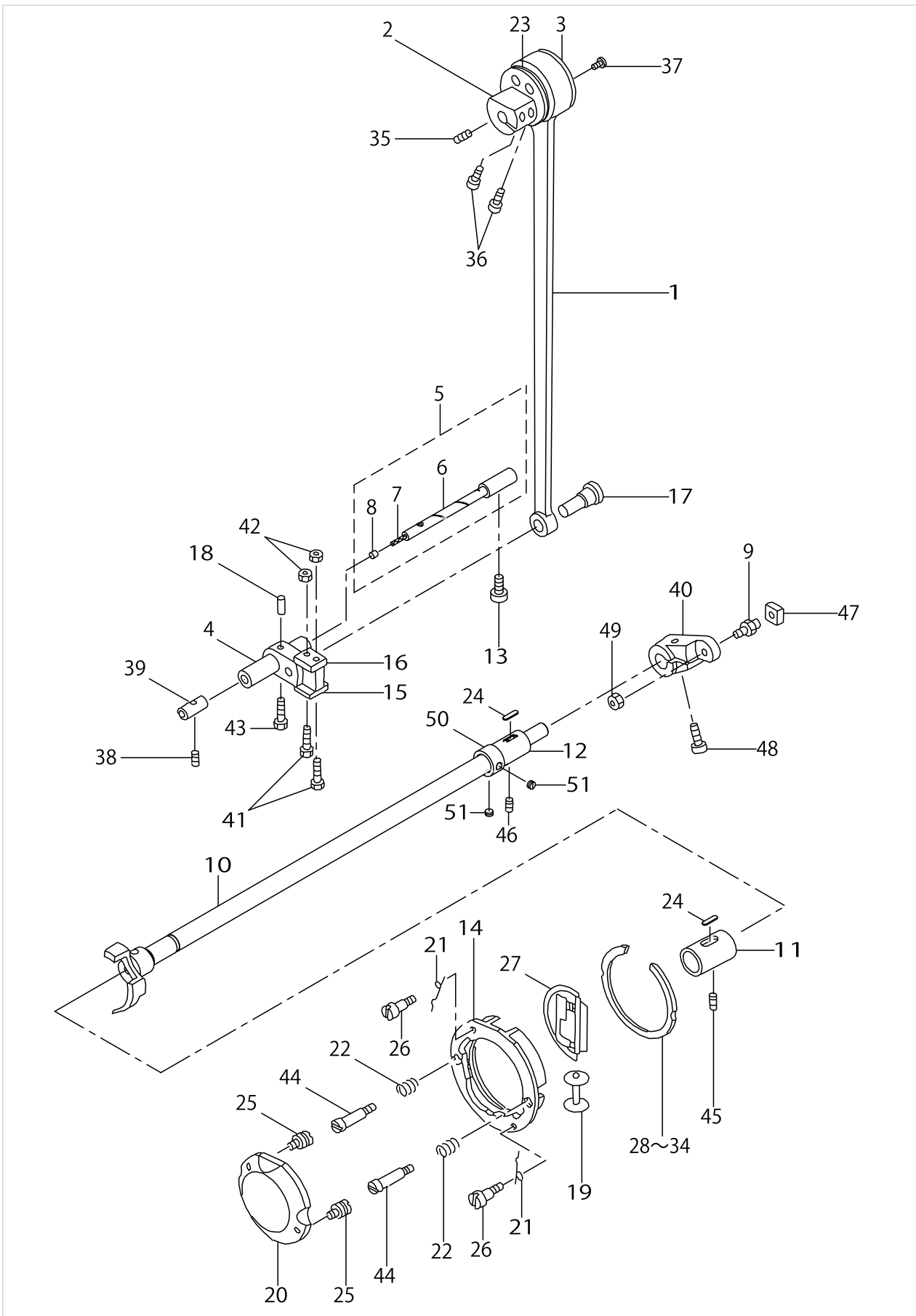


HOOK DRIVING SHAFT COMPONENTS

No.	Parts No.	Parts name	Remarks	Level	Cons	Qty
1	21055504	CONNECTING ROD				1
2	21055603	CON-ROD ECCENTRIC CAM				1
3	21055702	CAM SLIDE PLATE				1
4	21055801	OSCILATING ROCK SHAFT				1
5	21154059	OSCILATING ROCK SHAFT ASM.				1
6	21154000	HINGE PIN		*		1
7	CQ303000000	OIL WICK		*		1
8	TA0290301M0	RUBBER PLUG		*		1
9	21056304	SLIDE BROCK STUD				1
10	40183641	HOOK_DRIVING_SHAFT_ASM				1
11	21154406	BUSHING, FRONT				1
12	21154505	BUSHING, REAR				1
13	SS6151142TP	SCREW 15/64-28 L=10.5				1
14	21154703	SHUTTLE RACE BODY				1
15	21057005	SLIDE PLATE A				1
16	21057104	SLIDE PLATE B				1
17	21057203	CON-ROD PIN				1
18	21057302	CON-ROD PIN WEDGE				1
19	21057401	BOBBIN				1
20	21154802	HOOK COVER				1
21	21154901	HOOK COVER SPRING				2
22	21057500	HOOK COUNTER SPRING				2
23	21057609	CAGE & ROLLER				1
24	B1806038000	OIL FELT				2
25	21155007	SCREW				2
26	SD0260271SP	HINGE SCREW D= 2.60 H= 2.7				2
27	21041850	HOOK ASM.				1
28	21155106	MIKAZUKI (1)	SELECTIVE PARTS			1
29	21155205	MIKAZUKI (2)	SELECTIVE PARTS			1
30	21155304	MIKAZUKI (3)	SELECTIVE PARTS			1
31	21155403	MIKAZUKI (4) STANDARD	SELECTIVE PARTS			1
32	21155502	MIKAZUKI (5)	SELECTIVE PARTS			1
33	21155601	MIKAZUKI (6)	SELECTIVE PARTS			1
34	21155700	MIKAZUKI (7)	SELECTIVE PARTS			1
35	SS8151550SP	SCREW 15/64-28 L=15				1
36	SM6081802TP	SCREW				2
37	SS7110830SP	SCREW 11/64-40 L= 7.5				2
38	SS8150750SP	SCREW 15/64-28 L=7				1
39	21154109	ROCK SHAFT BUSHING				1
40	21154208	HOOK DRIVING SHAFT CRANK				1
41	21057708	SCREW				2
42	NS6110420SP	NUT 11/64-40				2
43	SS7621510SP	SCREW				1
44	21057906	SCREW				2
45	SS8151550SP	SCREW 15/64-28 L=15				1
46	SS8151550SP	SCREW 15/64-28 L=15				1
47	21056205	CRANK SLIDE BLOCK				1



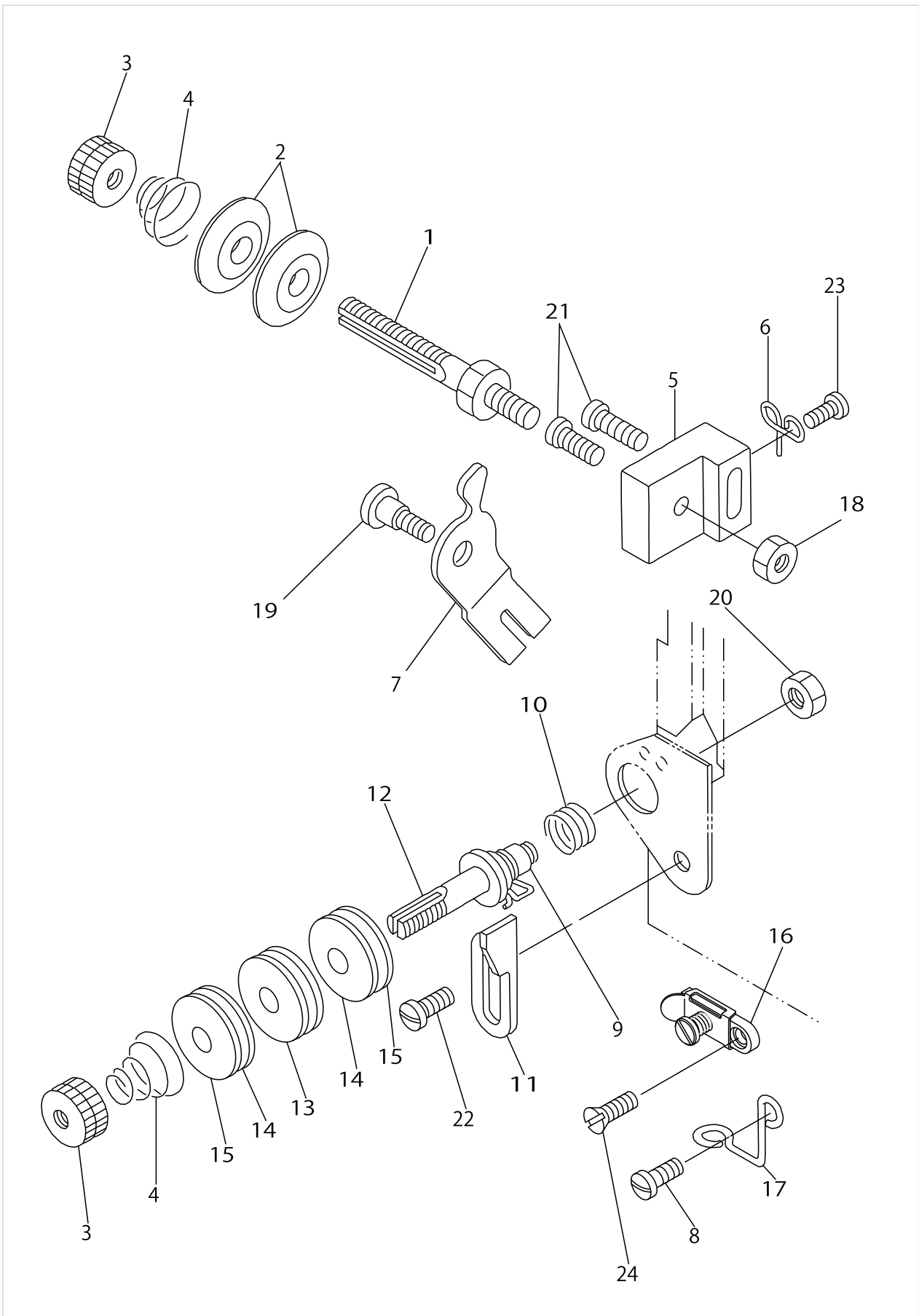
# HOOK DRIVING SHAFT COMPONENTS



HOOK DRIVING SHAFT COMPONENTS

No.	Parts No.	Parts name	Remarks	Level	Cons	Qty
48	SM6081802TP	SCREW				1
49	NS6680320SP	NUT 9/32-28				1
50	22904106	MAIN SHAFT THRUST COLLAR				1
51	SS8660330SP	SCREW 1/4-40 L= 3.0				2

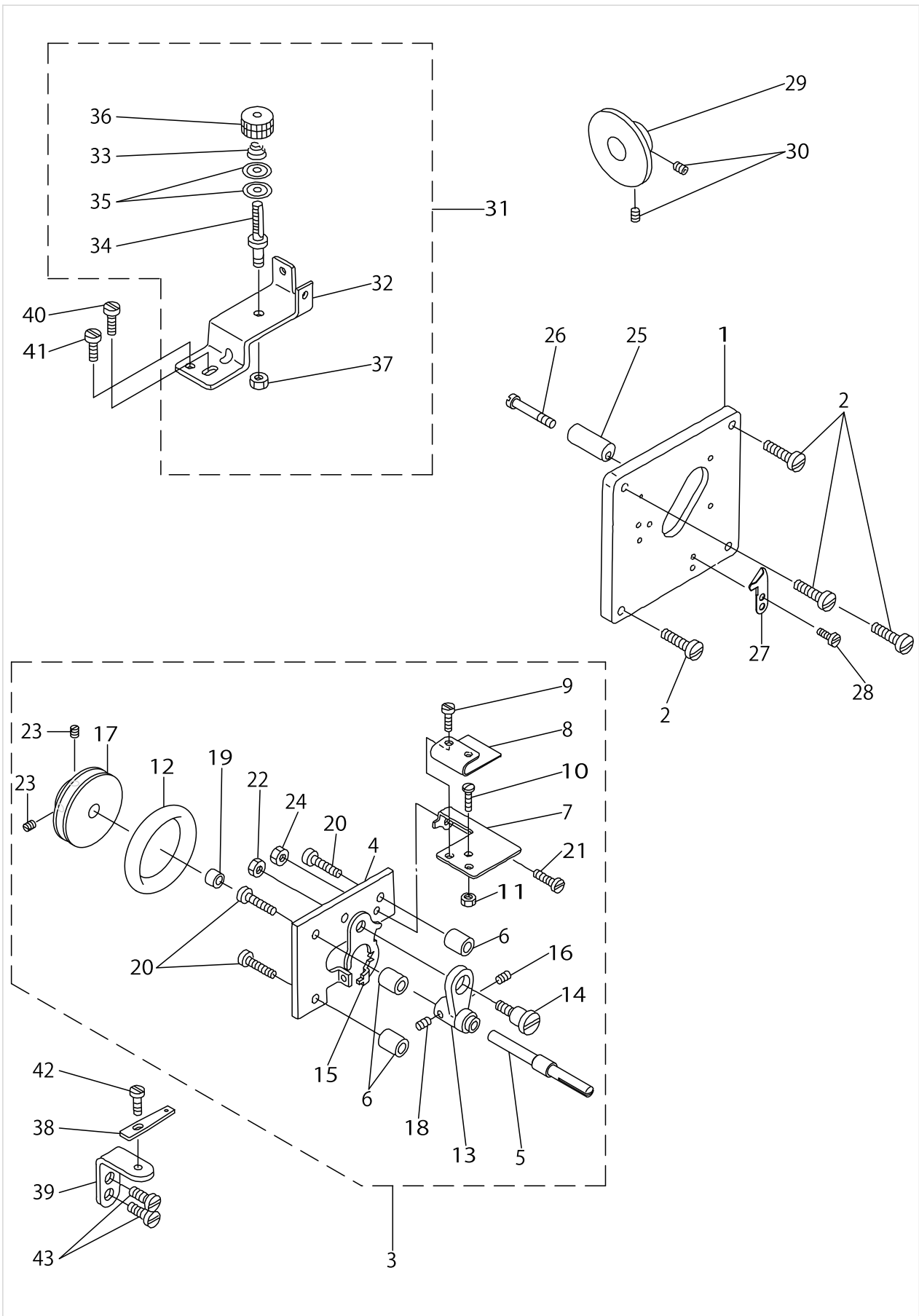
TENSION POST COMPONENTS



TENSION POST COMPONENTS

No.	Parts No.	Parts name	Remarks	Level	Cons	Qty
1	21059001	THREAD TENSION POST				1
2	B3126012000	THREAD TENSION DISK				2
3	B3125012000	THREAD TENSION NUT				2
4	21059100	THREAD TENSION SPRING				2
5	21059209	THREAD TENSION POST BRACKET				1
6	21059308	THREAD TENSION GUIDE				1
7	21059407	THREAD RELEASING PLATE				1
8	SS7090710SP	SCREW 9/64-40 L= 6.8				1
9	21059605	SPRING A				1
10	21059704	THREAD TAKE-UP SPRING GUIDE				1
11	21059803	SPRING SUPPORT PLATE				1
12	21059902	THREAD TENSION WHEEL POST				1
13	21060009	THREAD TENSION WHEEL				1
14	21060108	WHEEL FELT				2
15	21060207	FELT SUPPORT PLATE				2
16	21161153	ARM THREAD GUIDE ASM., LOWER				1
17	B1131562000	FRAME THREAD GUIDE, LOWER				1
18	NS6680320SP	NUT 9/32-28				1
19	SD0600321SP	HINGE SCREW D=6 H=3.2				1
20	NS6150310SP	NUT 15/64-28				1
21	SS7111120SP	SCREW 11/64-40 L=10.5				2
22	SS7090610SP	SCREW 9/64-40 L=6				1
23	SS7090710SP	SCREW 9/64-40 L= 6.8				1
24	SS1090410SL	SCREW 9/64-40 L=4				1

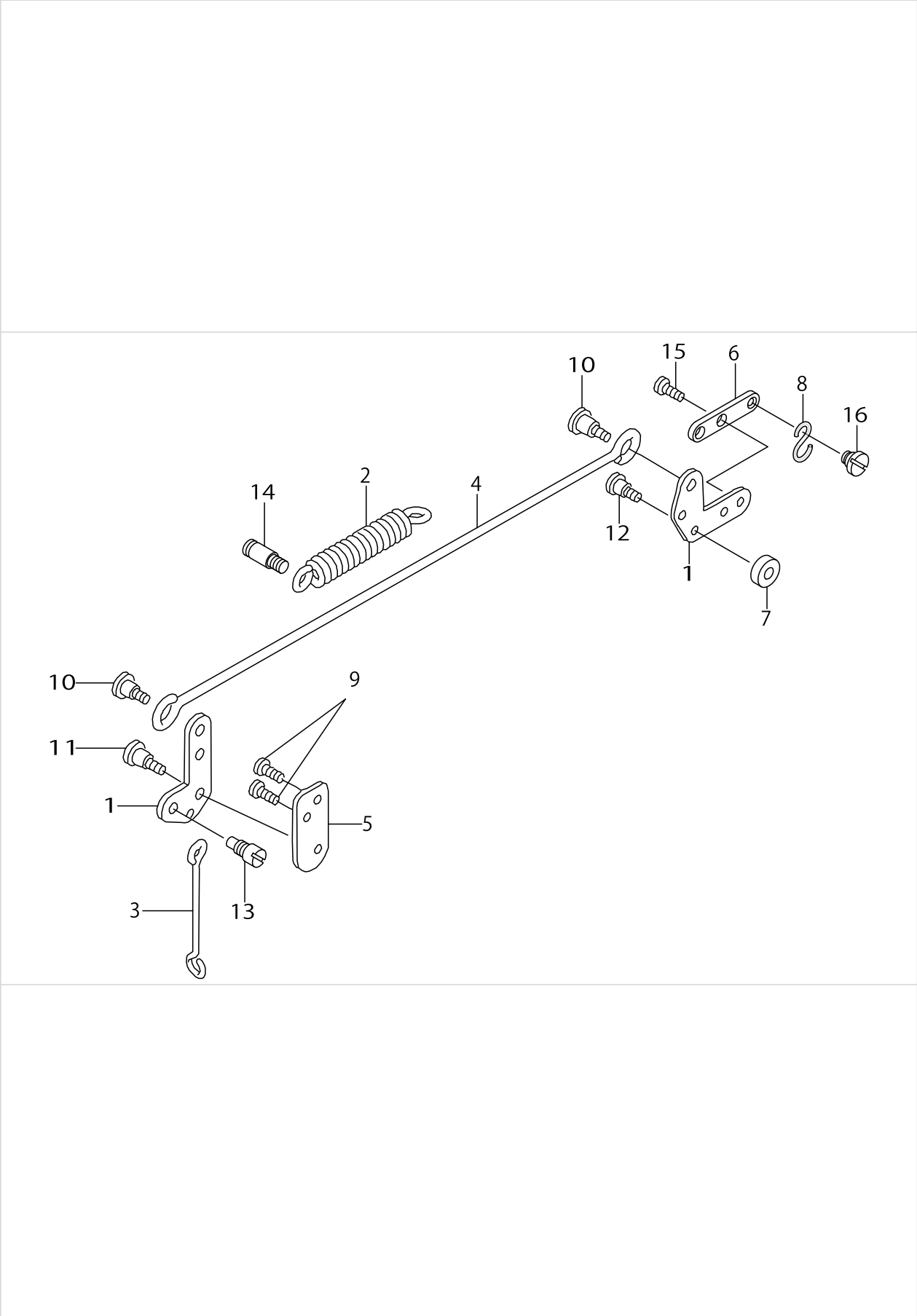
THREAD WINDER & THREAD GUIDE COMPONENTS



THREAD WINDER & THREAD GUIDE COMPONENTS

No.	Parts No.	Parts name	Remarks	Level	Cons	Qty
1	21067905	THREAD WINDOW PLATE				1
2	SS7111120SP	SCREW 11/64-40 L=10.5				4
3	21061056	THREAD WINDER ASM.				1
4	B3201158000	THREAD WINDER BASE		*		1
5	21061015	BOBBIN WINDER SPINDLE		*		1
6	B3203158000	WASHER		*		3
7	21061106	BOBBIN PRESSER		*		1
8	21061205	BOBBIN PRESSURE SPRING		*		1
9	SS5060410SP	SCREW 3/32-56 L=3.5		*		2
10	SS7081310SP	SCREW 1/8-44 L=12.5		*		1
11	NS6080210SP	NUT 1/8-44		*		1
12	B3212210000	FRICTION WHEEL		*		1
13	B3204232000	BOBBIN WINDER FRAME		*		1
14	B3205232000	HINGE SCREW,		*		1
15	B3206232000	BOBBIN WINDER TENSION BRACKET		*		1
16	B3208232000	SPRING		*		1
17	B3211210000	BOBBIN WINDER WHEEL		*		1
18	A3222958000	BOBBIN WINDER SPRING, LONG		*		1
19	B3207158000A	THREAD WIDING SHAFT COLLAR		*		1
20	SS7111810SP	SCREW 11/64-40 L=18		*		3
21	SD0720193SP	HINGE SCREW D= 7.24 H= 1.9		*		1
22	NS6110310SP	NUT 11/64-40		*		1
23	SS8110510SP	SCREW 11/64-40 L=5		*		2
24	NS6110310SP	NUT 11/64-40		*		1
25	21061403	STOPPER				1
26	SS7112810SP	SCREW 11/64-40 L=28				1
27	10502300	THREAD CUTTER				1
28	SS6080410SP	SCREW 1/8-44 L=4				2
29	21061601	FRICTION WHEEL				1
30	SS8150710SP	SCREW 15/64-28 L=7				2
31	21061759	THREAD WINDER GUIDE BASE ASM.				1
32	21061700	THREAD WINDER GUIDE BASE		*		1
33	B3129012B00	THREAD TENSION SPRING		*		1
34	21059001	THREAD TENSION POST		*		1
35	B3126012000	THREAD TENSION DISK		*		2
36	B3125012000	THREAD TENSION NUT		*		1
37	NS6680320SP	NUT 9/32-28		*		1
38	B2510158000	THREAD WINDER THREAD GUIDE				1
39	21061908	GUIDE BRACKET				1
40	SS7110910SP	SCREW 11/64-40 L=8.5				1
41	SS4080610SP	SCREW 1/8-44 L=6.4				1
42	SS7090710SP	SCREW 9/64-40 L= 6.8				1
43	SS7151120SP	SCREW 15/64-28 L=11				2

KNEE LIFTER COMPONENTS

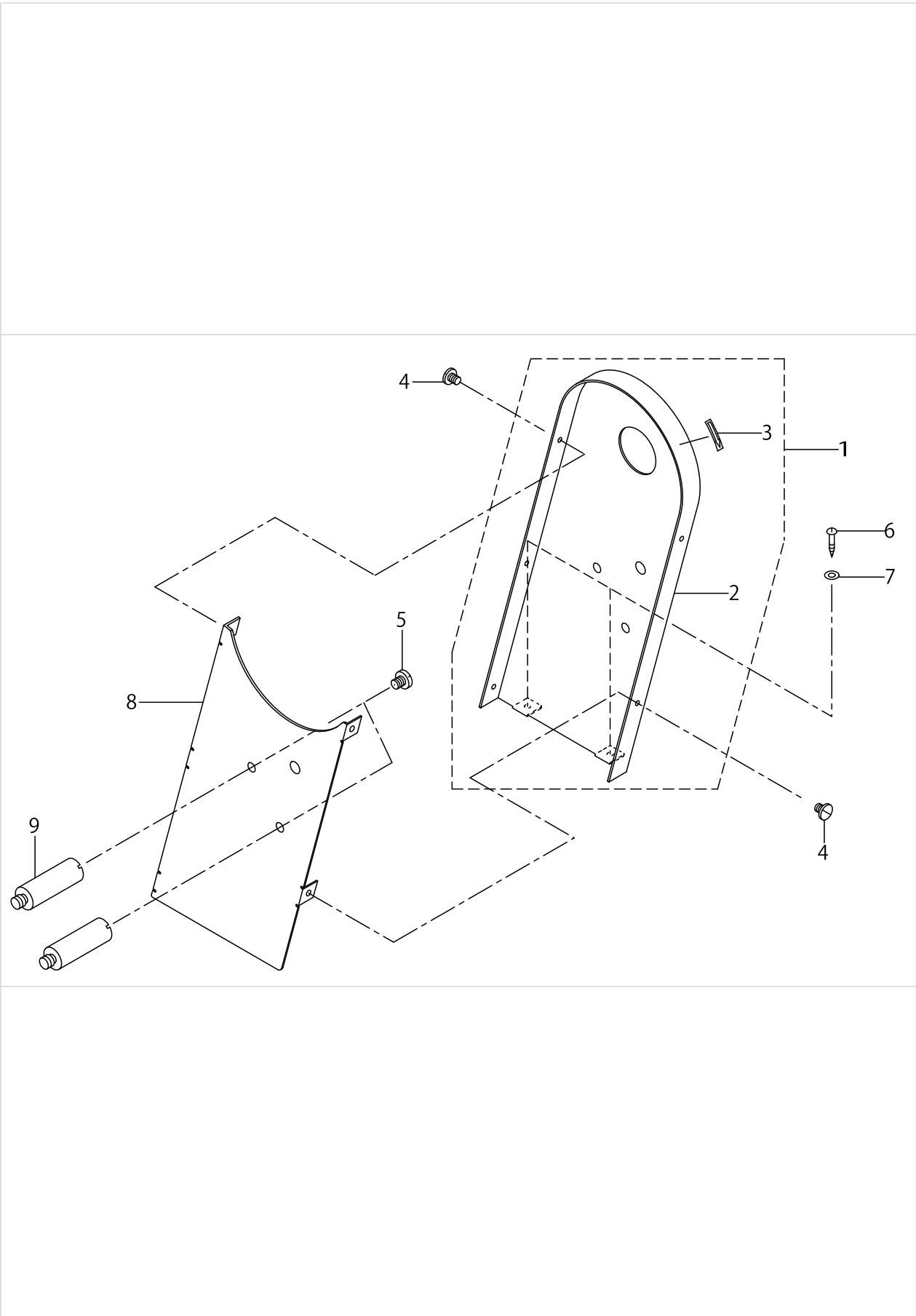


## KNEE LIFTER COMPONENTS

No.	Parts No.	Parts name	Remarks	Level	Cons	Qty
1	21062807	PRESSER BAR LIFTING LINK				2
2	B1342591000	PRESSER BAR LIFTING ARM SPRING				1
3	21062500	PRESSER BAR LIFTING BAR				1
4	21156005	SIDE CONNECTING BAR				1
5	21062708	LINK BASE				1
6	21156104	LINK PLATE				1
7	18125609	LINK COLLAR				1
8	21157607	S-PLUG				1
9	SS7150740SP	SCREW 15/64-28 L=7				2
10	SD0790431SP	HINGE SCREW D= 7.94 H= 4.3				2
11	SD0790431SP	HINGE SCREW D= 7.94 H= 4.3				1
12	SD0790432SP	HINGE SCREW D= 7.94 H= 4.3				1
13	21062609	HINGE SCREW				1
14	B3413227000	SPRING SUSPENSION				1
15	SS7150740SP	SCREW 15/64-28 L=7				2
16	SD0800341SP	HINGE SCREW D=8 H=3.4				1



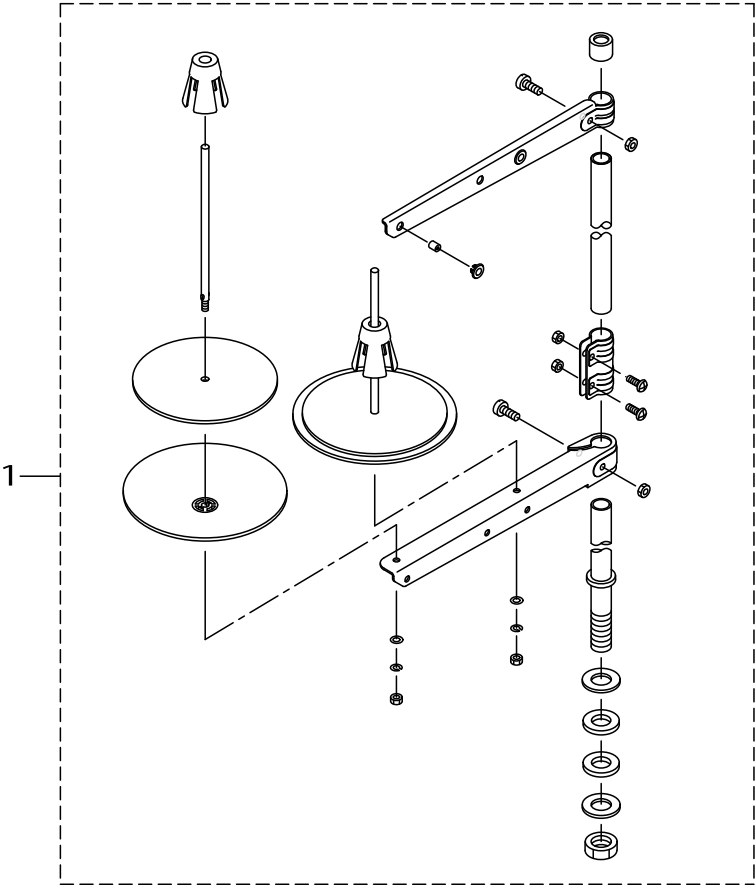
BELT COVER COMPONENTS



BELT COVER COMPONENTS

No.	Parts No.	Parts name	Remarks	Level	Cons	Qty
1	21159769	BELT COVER A COMPL.(LABEL)				1
2	21159751	BELT COVER A COMPL.		*		1
3	CM500300001	DIRECTION LABEL		*		1
4	SS6110480SP	SCREW 11/64-40 L=4.3				5
5	SS7150740SP	SCREW 15/64-28 L=7				2
6	SK3482000SC	WOOD SCREW D=4.8 L=20				2
7	WP0501016SC	WASHER 5X10.5X1				2
8	21159801	BELT COVER B				1
9	21157300	BELT COVER STUD				2

THREAD STAND COMPONENTS



THREAD STAND COMPONENTS

No.	Parts No.	Parts name	Remarks	Level	Cons	Qty
1	40096354	THREAD STAND ASM.				1

TABLE COMPONENTS

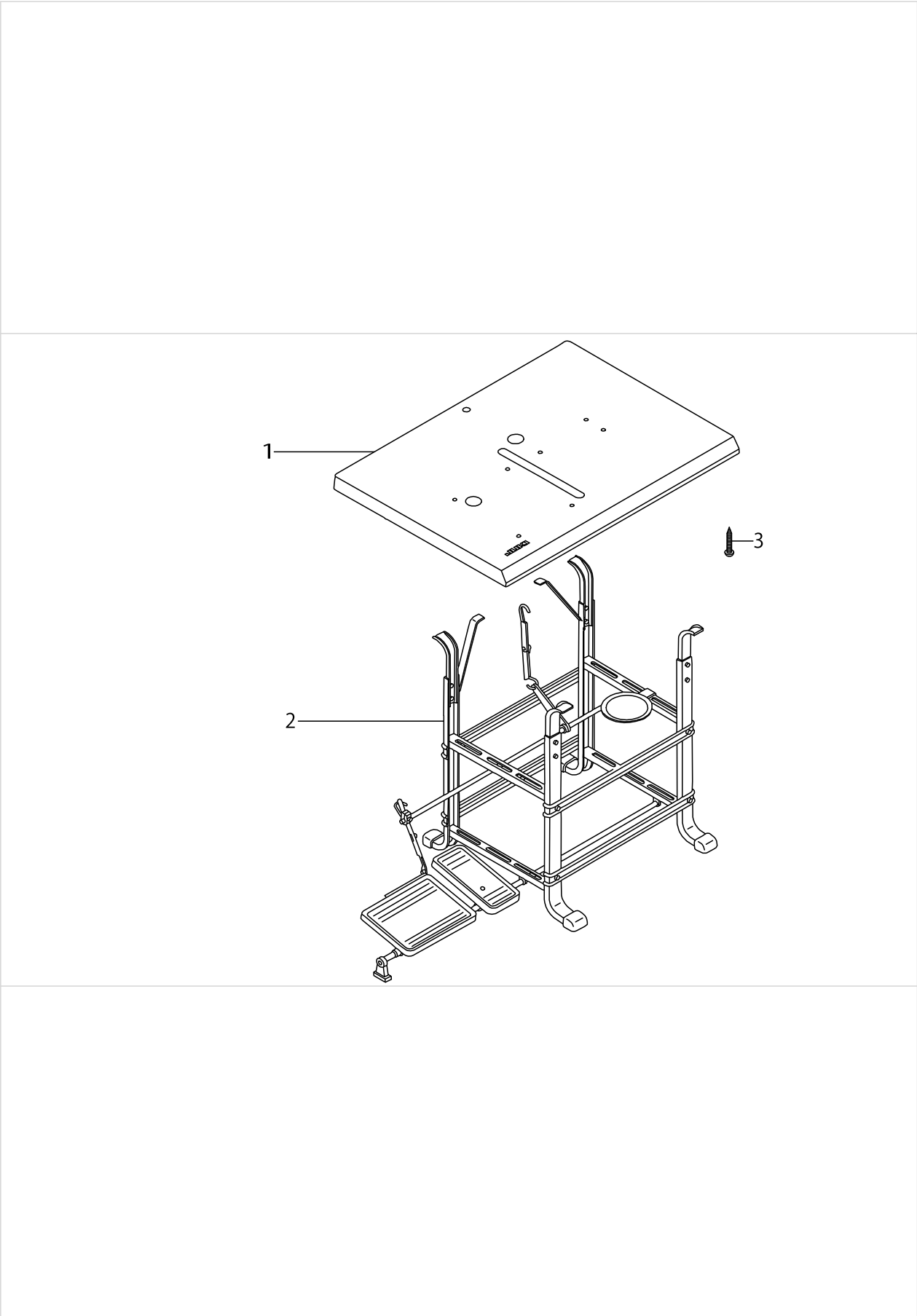
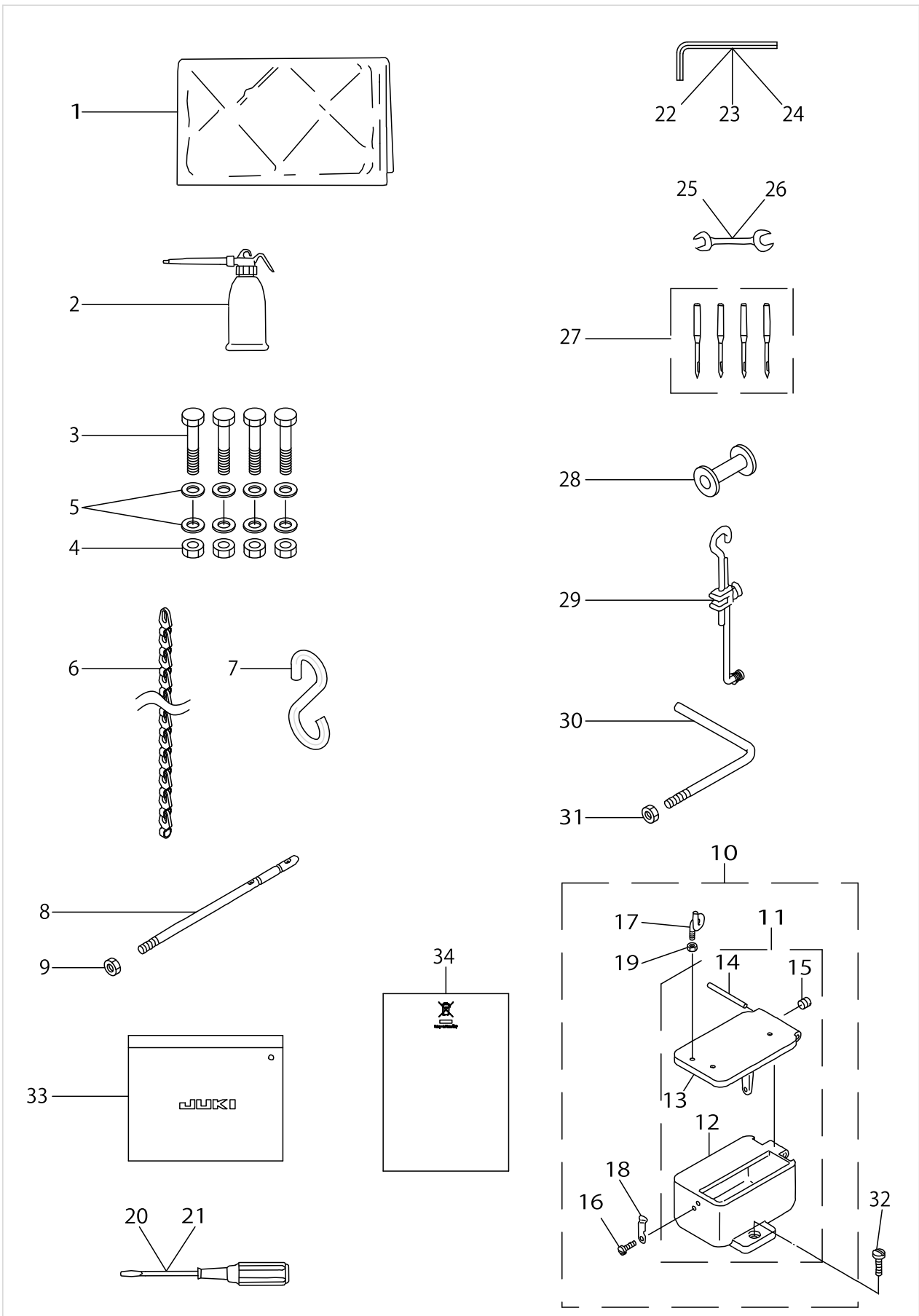


TABLE COMPONENTS

No.	Parts No.	Parts name	Remarks	Level	Cons	Qty
1	21159900	TABLE				1
2	21158001	STAND				1
3	SK3513200SC	WOOD SCREW D=5.1 L=32				4

ACCESSORIES PARTS COMPONENTS



ACCESSORIES PARTS COMPONENTS

No.	Parts No.	Parts name	Remarks	Level	Cons	Qty
1	26234005	VINYL COVER				1
2	B9121141HA0	OILER ASM.				1
3	SM9106503SE	SCREW M10 L=65				4
4	NM6100011SE	NUT M10X8				4
5	WP1102016SC	WASHER 11X21X2				8
6	21157508	CHAIN				1
7	21157607	S-PLUG				1
8	40052262	THREAD GUIDE PIN				1
9	NS6620310SP	NUT 3/16-32				1
10	21068556	OIL POT SET				1
11	21068564	OIL POT ASM.		*		1
12	21064803	OIL POT		*		1
13	21064704	OIL POT COVER		*		1
14	PH0400402C0	PARALLEL PIN		*		1
15	SS8090410SP	SCREW 9/64-40 L= 3.5		*		1
16	SS7090710SP	SCREW 9/64-40 L= 6.8		*		1
17	B3114761000	FRAME THREAD GUIDE B		*		1
18	21064902	COVER STOPPER		*		1
19	NS6060350SP	NUT 3/32-56		*		1
20	22933006	SCREW DRIVER,LARGE				1
21	12347308	SCREW DRIVER (SMALL)				1
22	J106600000G	HEXAGONAL WRENCH KEY				1
23	J106600000F	HEXAGONAL WRENCH KEY				1
24	B9141372000	HEXAGONAL WRENCH, LARGE				1
25	26034702	WRENCH				1
26	B9113012000	WRENCH (9X10)				1
27	MC532002304	NEEDLE (794 NM=230-4)				1
28	21057401	BOBBIN				3
29	B71140120A0	MOTOR CONNECTING ROD ASM.	H & M ONLY			1
30	21064605	SUPPORTING ARM	OPTIONAL PART			1
31	NS6150430SP	NUT 15/64-28	OPTIONAL PART			1
32	SS7151210SP	SCREW 15/64-28 L=12				1
33	22932800	ACCESSORIE BAG				1
34	CM600100201	WEEE INFORMATION SHEET				1





## HOW TO MAKE USE OF THIS PARTS LIST

### 1.Explanation of codes

1)"\*"mark.....means this part is changed from the previous parts book.

As to the details of the change, refer to the "List for information of change".

2)"#01".....refer to "Note" explanation at bottom of page.

### 2.Codes on the "Qty" column

• Each numeral indicates the number of parts required.

• "0.1" and "2.5" indicate the length (in meters) of the respective parts.

3.Parentheses mean that the corresponding part is a subpart that constructs an assembly part.

4.Dotted lines on the Figures indicate assembly parts.

### 1."注記"欄の記号説明

1) "\*"印.....前回のパーツブックに比較して今回変更された部品を意味します。

変更内容は、"変更情報リスト"を参照してください。

2) "#01".....ページ下の"注記"の説明を参照してください。

2.数量欄の数字は、個数を表し、0.1、2.5等の数値は、長さ（単位メートル）を表します。

3.数量欄の（ ）は、組部品を構成している子部品であることを意味します。

4.イラストページの-----枠は、組構成であることを意味します。

# NUMERICAL INDEX OF PARTS

PART NO	PAGE	REF NO.	PART NO	PAGE	REF NO.	PART NO	PAGE	REF NO.
10502300	20	27	21051800	10	21	21061908	20	39
12347308	30	21	21054408	12	16	21062500	22	3
18125609	22	7	21054507	12	14	21062609	22	13
21026901	12	23	21054606	12	11	21062708	22	5
21041850	14	27	21054705	12	17	21062807	22	1
21044508	4	1	21054804	12	18	21064605	30	30
21044607	4	2	21054903	12	22	21064704	30	13
21044706	4	3	21055504	14	1	21064803	30	12
21044805	4	4	21055603	14	2	21064902	30	18
21044904	4	5	21055702	14	3	21067855	4	11
21045109	4	7	21055801	14	4	21067905	20	1
21045406	4	12	21056205	14	47	21068556	30	10
21045505	4	10	21056304	14	9	21068564	30	11
21045604	4	8	21057005	14	15	21091707	4	6
21045703	4	13	21057104	14	16	21091806	4	24
21046008	4	25~ 27-32	21057203	14	17	21092002	6	1
21046107	4	25~ 27-32	21057302	14	18	21092101	6	2
21046206	4	25~ 27-32	21057401	14	19	21092200	6	3
21046313	4	28	21057401	30	28	21092309	6	4
21048707	6	54	21057500	14	22	21092408	6	6
21048707	8	54	21057609	14	23	21092507	6	7
21049200	6	43	21057708	14	41	21092606	6	8
21049309	6	44	21057906	14	44	21092705	6	9
21049408	6	45	21059001	18	1	21092804	6	10
21049515	6	46	21059001	20	34	21093000	6	13
21049606	6	47	21059100	18	4	21093208	6	16
21049705	8	48	21059209	18	5	21093307	6	17
21049804	8	49	21059308	18	6	21093406	6	18
21049903	8	50	21059407	18	7	21093505	6	19
21050000	8	51	21059514	2	19	21093604	6	20
21050109	8	52	21059605	18	9	21093901	8	55
21050505	10	1	21059704	18	10	21094008	8	56
21050604	10	2	21059803	18	11	21094107	8	57
21050703	10	3	21059902	18	12	21094701	8	58
21050802	10	4	21060009	18	13	21094800	8	59
21051008	10	7	21060108	18	14	21094909	8	60
21051107	10	8	21060207	18	15	21095005	10	5
21051206	10	9	21061015	20	5	21095104	10	11
21051305	10	16	21061056	20	3	21095153	10	10
21051404	10	17	21061106	20	7	21096359	2	1
21051503	10	18	21061205	20	8	21097506	10	15
21051602	10	19	21061403	20	25	21097605	2	14
21051701	10	20	21061601	20	29	21148507	2	2
			21061700	20	32	21151006	2	5
			21061759	20	31	21151402	4	9

# NUMERICAL INDEX OF PARTS

PART NO	PAGE	REF NO.	PART NO	PAGE	REF NO.	PART NO	PAGE	REF NO.
21151907	12	1	21161708	6	12	B3208232000	20	16
21152004	12	2	21161807	6	15	B3211210000	20	17
21152103	12	3	21162003	12	7	B3212210000	20	12
21152251	12	4	21162300	12	13	B3413227000	22	14
21152400	12	5	21164603	2	3	B71140120A0	30	29
21152509	12	6	21165303	6	21	B9113012000	30	26
21152707	12	8	21165402	10	6	B9121141HA0	30	2
21152806	12	10	21165501	10	14	B9141372000	30	24
21152905	12	12	21165550	10	13	CM300200001	2	16
21153606	12	15	22901805	2	17	CM301200002	2	18
21153705	12	19	22904106	12	42	CM500300001	24	3
21153804	12	20	22904106	16	50	CM600100201	30	34
21153903	12	21	22932800	30	33	CQ202000000	4	14
21154000	14	6	22933006	30	20	CQ202000000	6	42
21154059	14	5	26034702	30	25	CQ303000000	14	7
21154109	14	39	26234005	30	1	CS1111019SH	12	43
21154208	14	40	40027078	4	25~ 27·32	CS1801211SH	6	22
21154406	14	11	40052262	30	8	D2446141E00	6	31
21154505	14	12	40096354	26	1	J106600000F	30	23
21154703	14	14	40183641	14	10	J106600000G	30	22
21154802	14	20	A3222958000	20	18	MC532002300	6	5
21154901	14	21	B1131562000	18	17	MC532002304	30	27
21155007	14	25	B1156026000	2	7	NM6100011SE	30	4
21155106	14	28~34	B1342591000	22	2	NS6060350SP	30	19
21155205	14	28~34	B1424158000	6	39	NS6080210SP	20	11
21155304	14	28~34	B1424158000	12	24	NS6090310SP	10	26
21155403	14	28~34	B1617241H00	12	25	NS6110310SP	20	24
21155502	14	28~34	B1618241H00	12	26	NS6110420SP	14	42
21155601	14	28~34	B1619241H00	12	9	NS6150310SP	18	20
21155700	14	28~34	B1662562000	10	29	NS6150430SP	30	31
21156005	22	4	B1806038000	14	24	NS6160520SP	12	28
21156104	22	6	B2510158000	20	38	NS6620310SP	30	9
21157300	24	9	B3114761000	30	17	NS6680320SP	16	49
21157508	30	6	B3125012000	18	3	NS6680320SP	18	18
21157607	22	8	B3125012000	20	36	NS6680320SP	20	37
21157607	30	7	B3126012000	18	2	NS6680410SP	4	31
21158001	28	2	B3126012000	20	35	NS6680410SP	12	35
21159751	24	2	B3129012B00	20	33	NS6720440SP	8	64
21159769	24	1	B3201158000	20	4	PH0400402C0	30	14
21159801	24	8	B3203158000	20	6	PS0300201KP	10	30
21159900	28	1	B3204232000	20	13	PT0405600SH	4	17
21160205	2	4	B3205232000	20	14	RE0400000K0	4	30
21160304	2	13	B3206232000	20	15	RE0700000K0	6	40
21161153	18	16	B3207158000A	20	19	RE0700000K0	12	33
21161617	6	11				RE0800000K0	6	68

NUMERICAL INDEX OF PARTS

PART NO	PAGE	REF NO.	PART NO	PAGE	REF NO.	PART NO	PAGE	REF NO.
RE0800000K0	8	68	SS7110830SP	14	37	WP0501016SC	24	7
RE0800000K0	12	30	SS7110840SP	8	67	WP0621026SP	8	70
SD0260271SP	14	26	SS7110840SP	12	29	WP1102016SC	30	5
SD0600321SP	18	19	SS7110910SP	20	40	WZ0430390KP	2	11
SD0720193SP	20	21	SS7111110TP	2	12			
SD0790431SP	22	11	SS7111120SP	6	37			
SD0790432SP	22	12	SS7111120SP	18	21			
SD0790801SP	12	27	SS7111120SP	20	2			
SD0800341SP	22	16	SS7111810SP	20	20			
SD1070901TP	4	29	SS7112810SP	20	26			
SK3482000SC	24	6	SS7120910SP	2	8			
SK3513200SC	28	3	SS7150740SP	2	15			
SM6061552TP	8	62	SS7150740SP	12	38			
SM6061650TP	6	35	SS7150740SP	22	15			
SM6061802TP	12	32	SS7150740SP	24	5			
SM6081802TP	6	63	SS7151120SP	6	38			
SM6081802TP	8	63	SS7151120SP	20	43			
SM6081802TP	14	48	SS7151210SP	30	32			
SM6081802TP	16	48	SS7151550SP	6	27			
SM6082502TP	6	29	SS7621040SP	10	28			
SM8061212TP	6	36	SS7621510SP	14	43			
SM9106503SE	30	3	SS8090410SP	30	15			
SS1090410SL	18	24	SS8110510SP	20	23			
SS1681140SP	4	19	SS8150410SP	10	23			
SS2110915SP	4	21	SS8150710SP	4	20			
SS4080610SP	20	41	SS8150710SP	6	65			
SS5060410SP	20	9	SS8150710SP	8	65			
SS6080410SP	20	28	SS8150710SP	20	30			
SS6110480SP	24	4	SS8150750SP	12	40			
SS6110610TP	12	39	SS8150750SP	14	38			
SS6110710TP	6	33	SS8151150SP	12	41			
SS6121210SP	10	24	SS8151550SP	4	15			
SS6121610TP	12	36	SS8151550SP	14	46			
SS6151142TP	14	13	SS8660330SP	12	34			
SS6151920SP	2	9	SS8660330SP	16	51			
SS6621840SP	12	37	SS8660512TP	6	34			
SS6660622TP	10	27	SS8660512TP	10	22			
SS7081310SP	20	10	SS8660610TP	4	23			
SS7090610SP	18	22	SS8660610TP	8	61			
SS7090710SP	2	10	SS8660612TP	4	16			
SS7090710SP	18	23	SS8660612TP	10	31			
SS7090710SP	20	42	SS8660810TP	6	23			
SS7090710SP	30	16	SS9702110SP	4	22			
SS7091410SP	10	25	TA0290301M0	14	8			
SS7110540SP	8	69	TA1250406R0	2	6			