

MODEL : DNU-241H-6(AK-70A/AK-70B)/DSC-245-6(AK-70A/AK-70B)
List No : 0558-00

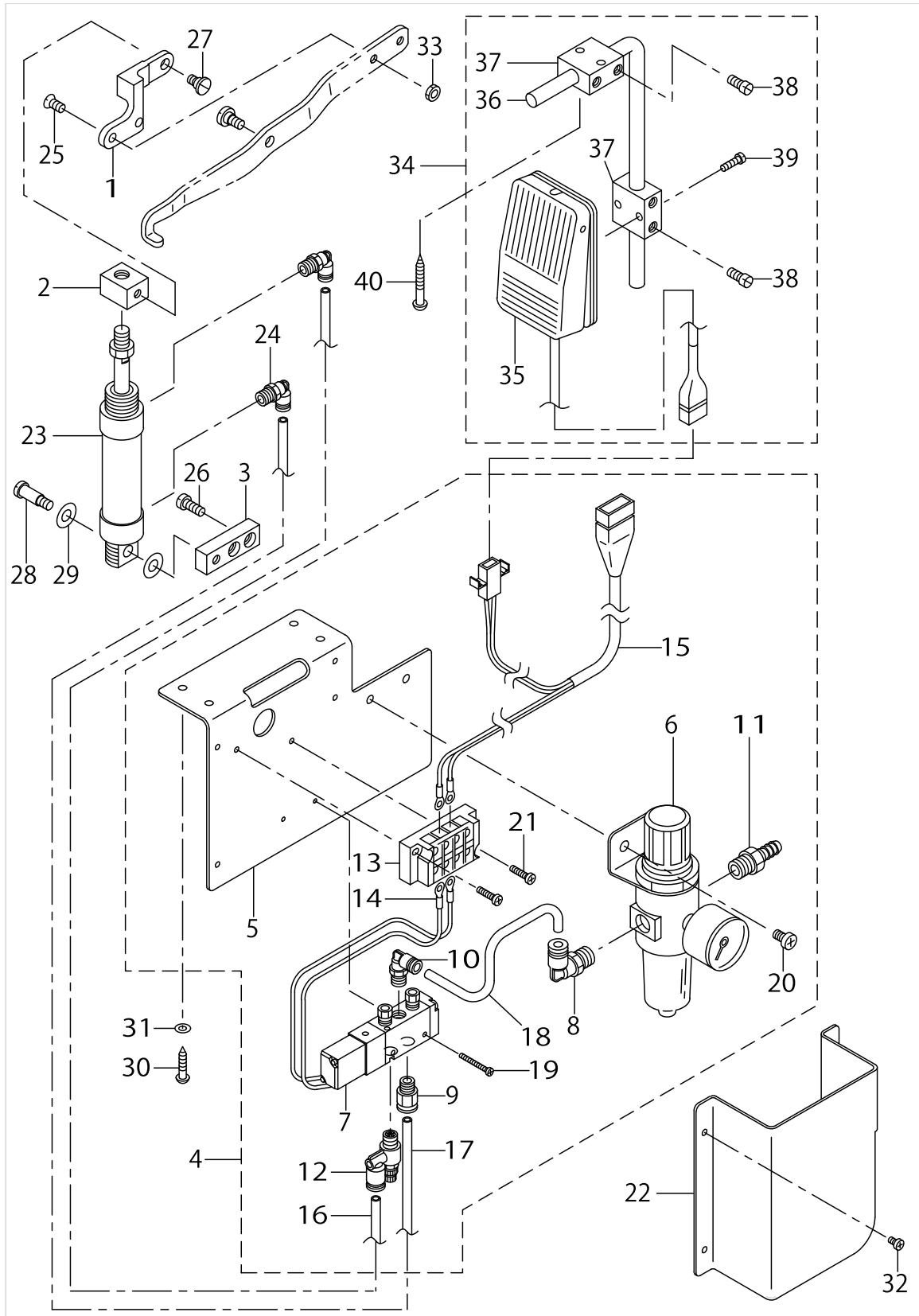
PARTS LIST

Published:09/10/2017

CONTENTS

AK-70 A TYPE.....	1
AK-70 B TYPE.....	3
HOW TO MAKE USE OF THIS PARTS LIST	5

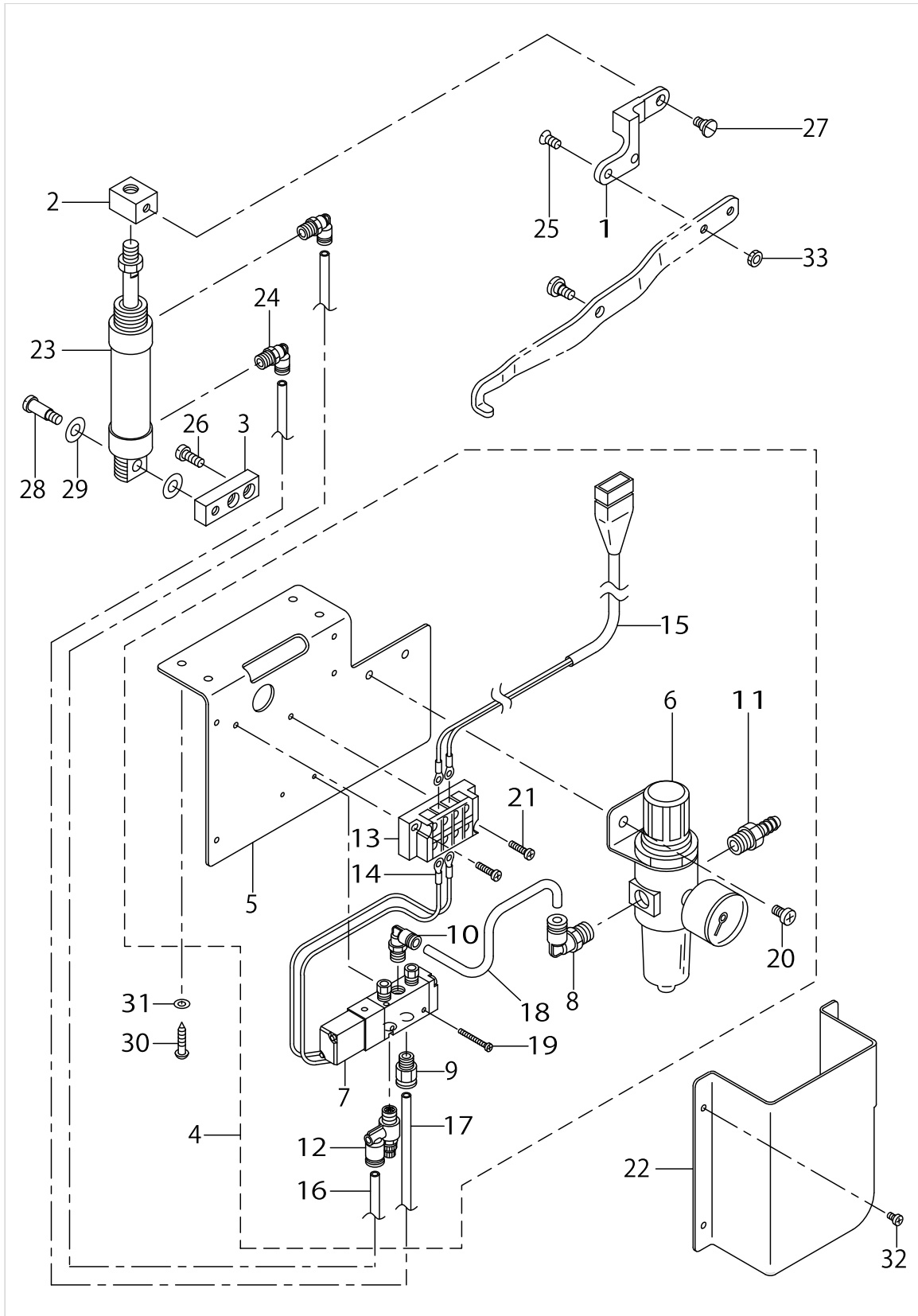
AK-70 A TYPE



AK-70 A TYPE

No.	Parts No.	Parts name	Remarks	Level	Cons	Qty
1	GAK70001000	AUTOMATIC LIFTING ARM				1
2	GAK29003000	CYLINDER BLOCK				1
3	GAK70002000	CYLINDER BASE				1
4	GAK290010A0	PNEUMATIC UNIT				1
5	GAK29001000	SOLENOID VALVE MOUNTING PLATE		*		1
6	GAK29007000	FILTER REGULATOR		*		1
7	GAK29008000	SOLENOID VALVE		*		1
8	GAK29009000	ELBOW		*		1
9	GAK29015000	JOINT A		*		1
10	GAK29010000	ELBOW B		*		1
11	GAK29011000	NIPPLE		*		1
12	GAK29016000	SPEED CONTROLLER		*		1
13	GAS11419000	TERMINAL BASE		*		1
14	HP001330000	CONNECTOR		*		2
15	GAK020210A0	PRESSER LIFTING CORD ASM.		*		1
16	BT0600401EB	TUBE		*		1.2
17	BT0600401EB	TUBE		*		1.1
18	BT0600401EB	TUBE		*		0.1
19	SM4032501SB	SCREW M3X0.5 L=25.0		*		2
20	SM4061001SB	SCREW M6 L=10		*		2
21	SM4041601SR	SCREW M4 L=16		*		2
22	GAK29002000	SOLENOID VALVE COVER				1
23	GAK29013000	CYLINDER				1
24	GAK29010000	ELBOW B				2
25	SS1151310TP	SCREW				2
26	SS6151440SP	SCREW 15/64-28 L=14				2
27	SD0790433TP	HINGE SCREW D= 7.94 H= 4.3				1
28	GAK70003000	HINGE SCREW				1
29	WP0850002SP	WASHER 8.5X18X1.6				2
30	SK3482500SC	WOOD SCREW D=4.8 L=25				4
31	WP0501016SC	WASHER 5X10.5X1				4
32	SM4040601SB	SCREW M4 L=6				4
33	NS6150310SP	NUT 15/64-28				2
34	GAK010220B0	LIFTER KNEE SWITCH ASM. B				1
35	GAK010220A0	KNEE SWITCH ASM.		*		1
36	MTA80231T00	SWITCH INDICATION ARM		*		1
37	MTA80230T00	SWITCH INDICATION BASE		*		2
38	SS6151220SP	SCREW 15/64-28 L=11.5		*		4
39	SS7111410SP	SCREW 11/64-40 L=14		*		2
40	SK3514000SD	WOOD SCREW D=5.1 L=40				2

AK-70 B TYPE



AK-70 B TYPE

No.	Parts No.	Parts name	Remarks	Level	Cons	Qty
1	GAK70001000	AUTOMATIC LIFTING ARM				1
2	GAK29003000	CYLINDER BLOCK				1
3	GAK70002000	CYLINDER BASE				1
4	GAK440040A0	AIR COMPONENTS ASM.				1
5	GAK29001000	SOLENOID VALVE MOUNTING PLATE		*		1
6	GAK29007000	FILTER REGULATOR		*		1
7	GAK29008000	SOLENOID VALVE		*		1
8	GAK29009000	ELBOW		*		1
9	GAK29015000	JOINT A		*		1
10	GAK29010000	ELBOW B		*		1
11	GAK29011000	NIPPLE		*		1
12	GAK29016000	SPEED CONTROLLER		*		1
13	GAS11419000	TERMINAL BASE		*		1
14	HP001330000	CONNECTOR		*		2
15	GAK440030A0	CORD ASM.		*		1
16	BT0600401EB	TUBE		*		1.2
17	BT0600401EB	TUBE		*		1.1
18	BT0600401EB	TUBE		*		0.1
19	SM4032501SN	SCREW M3X0.5 L=25		*		2
20	SM4061001SB	SCREW M6 L=10		*		2
21	SM4041601SR	SCREW M4 L=16		*		2
22	GAK29002000	SOLENOID VALVE COVER				1
23	GAK29013000	CYLINDER				1
24	GAK29010000	ELBOW B				2
25	SS1151310TP	SCREW				2
26	SS6151440SP	SCREW 15/64-28 L=14				2
27	SD0790433TP	HINGE SCREW D= 7.94 H= 4.3				1
28	GAK70003000	HINGE SCREW				1
29	WP0850002SP	WASHER 8.5X18X1.6				2
30	SK3482500SC	WOOD SCREW D=4.8 L=25				4
31	WP0501016SC	WASHER 5X10.5X1				4
32	SM4040601SB	SCREW M4 L=6				4
33	NS6150310SP	NUT 15/64-28				2

HOW TO MAKE USE OF THIS PARTS LIST

1.As to "#01" and "#02" refer to the "Note" given at the bottom of the respective pages.

2.Codes on the "Qty" column

- Each numeral indicates the number of parts required.
- "0.1" and "2.5" indicate the length (in meters) of the respective parts.

3.Parentheses mean that the corresponding part is a subpart that constructs an assembly part.

4.Dotted lines on the Figures indicate assembly parts.

1. リストページの# 0 1、# 0 2の印は、ページ下の"注記"の説明を参照下さい。
2. 数量欄の数字は、個数を表し、0. 1、2. 5等の数値は、長さ（単位メートル）を表します。
3. 数量欄の（ ）は、組部品を構成している子部品であることを意味します。
4. イラストページの-----枠は、組構成であることを意味します。

NUMERICAL INDEX OF PARTS

PART NO	PAGE	REF NO.	PART NO	PAGE	REF NO.
BT0600401EB	2	18	SD0790433TP	4	27
BT0600401EB	4	18	SK3482500SC	2	30
GAK010220A0	2	35	SK3482500SC	4	30
GAK010220B0	2	34	SK3514000SD	2	40
GAK020210A0	2	15	SM4032501SB	2	19
GAK29001000	2	5	SM4032501SN	4	19
GAK29001000	4	5	SM4040601SB	2	32
GAK290010A0	2	4	SM4040601SB	4	32
GAK29002000	2	22	SM4041601SR	2	21
GAK29002000	4	22	SM4041601SR	4	21
GAK29003000	2	2	SM4061001SB	2	20
GAK29003000	4	2	SM4061001SB	4	20
GAK29007000	2	6	SS1151310TP	2	25
GAK29007000	4	6	SS1151310TP	4	25
GAK29008000	2	7	SS6151220SP	2	38
GAK29008000	4	7	SS6151440SP	2	26
GAK29009000	2	8	SS6151440SP	4	26
GAK29009000	4	8	SS7111410SP	2	39
GAK29010000	2	24	WP0501016SC	2	31
GAK29010000	4	24	WP0501016SC	4	31
GAK29011000	2	11	WP0850002SP	2	29
GAK29011000	4	11	WP0850002SP	4	29
GAK29013000	2	23			
GAK29013000	4	23			
GAK29015000	2	9			
GAK29015000	4	9			
GAK29016000	2	12			
GAK29016000	4	12			
GAK440030A0	4	15			
GAK440040A0	4	4			
GAK70001000	2	1			
GAK70001000	4	1			
GAK70002000	2	3			
GAK70002000	4	3			
GAK70003000	2	28			
GAK70003000	4	28			
GAS11419000	2	13			
GAS11419000	4	13			
HP001330000	2	14			
HP001330000	4	14			
MTA80230T00	2	37			
MTA80231T00	2	36			
NS6150310SP	2	33			
NS6150310SP	4	33			
SD0790433TP	2	27			