

MODEL : TNU-243

List No : 0543-04

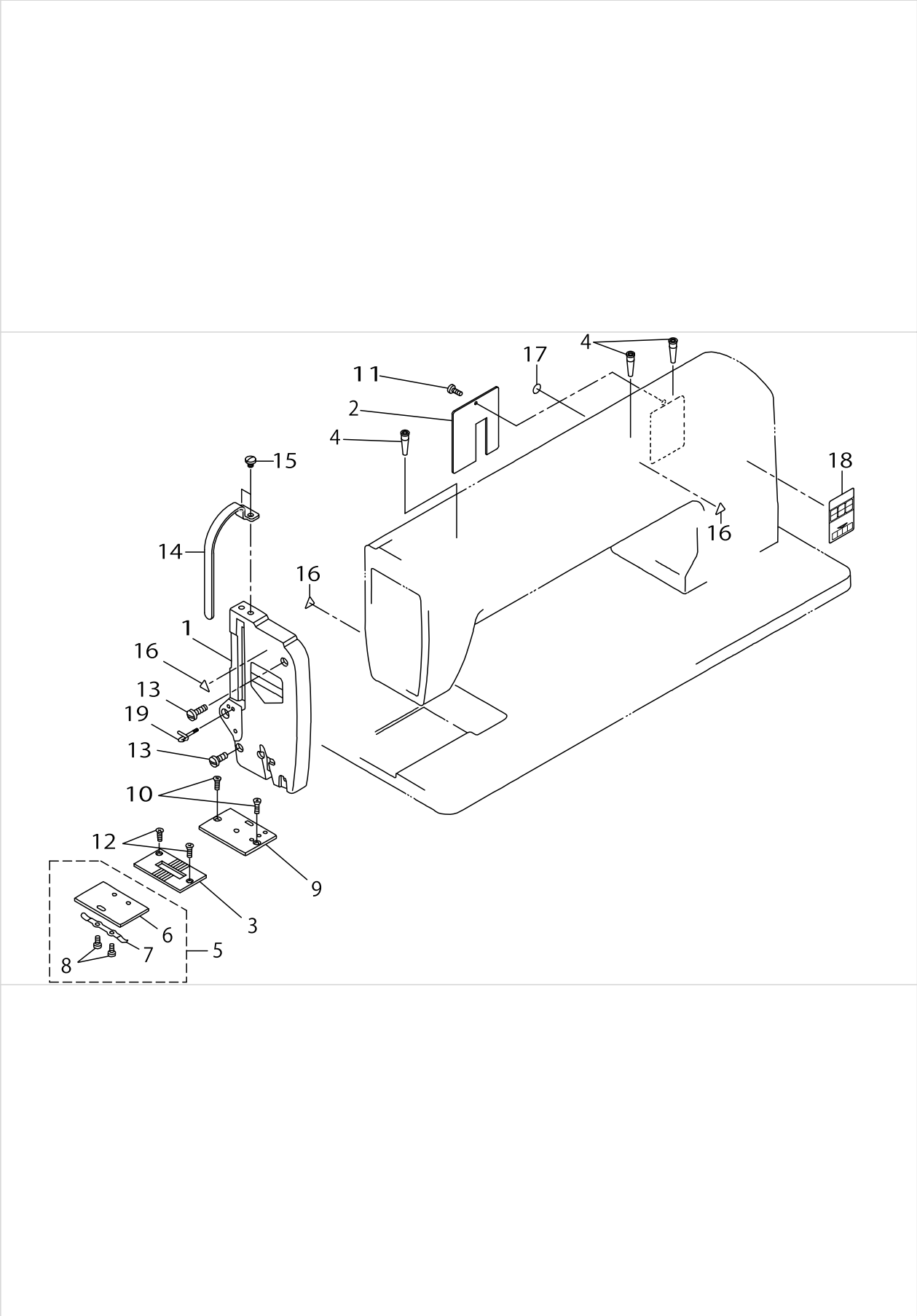
PARTS LIST

Published:09/10/2017

CONTENTS

FRAME & MISCELLANEOUS COVER COMPONENTS	1
MAIN SHAFT COMPONENTS	3
NEEDLE BAR & UPPER FEED MECHANISM COMPONENTS	5
PRESSURE COMPONENTS.....	9
FEED MECHANISM COMPONENTS.....	11
FEED REGULATOR MECHANISM COMPONENTS.....	15
HOOK DRIVING SHAFT COMPONENTS	17
TENSION POST COMPONENTS.....	19
THREAD WINDER & THREAD GUIDE COMPONENTS	21
KNEE LIFTER & OIL PAN COMPONENTS.....	23
BELT COVER COMPONENTS.....	25
THREAD STAND COMPONENTS.....	27
TABLE COMPONENTS	29
ACCESSORIES PARTS COMPONENTS (1).....	31
ACCESSORIES PARTS COMPONENTS (2).....	33
LIST FOR INFORMATION OF CHANGE.....	35
HOW TO MAKE USE OF THIS PARTS LIST	36

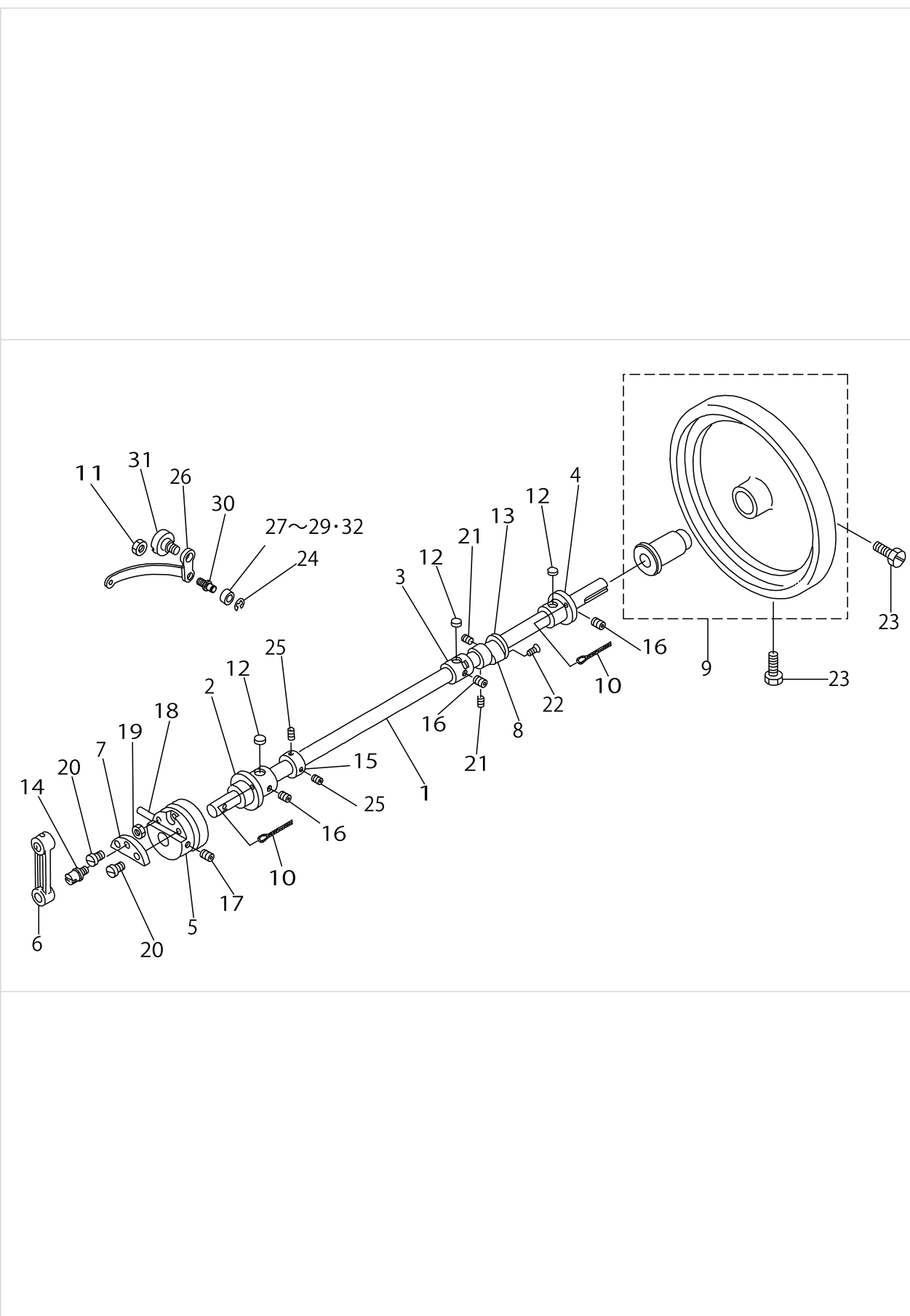
FRAME & MISCELLANEOUS COVER COMPONENTS



FRAME & MISCELLANEOUS COVER COMPONENTS

No.	Parts No.	Parts name	Remarks	Level	Cons	Qty
1	21096359	FACE PLATE ASM.				1
2	21096409	SIDE COVER				1
3	21090709	THROAT PLATE				1
4	A3243997C00	REAR METAL OIL PIPE				3
5	21044151	SLIDE PLATE ASM.A				1
6	21044102	SLIDE PLATE A		*		1
7	21044201	SPRING		*		2
8	SS7060310SP	SCREW 3/32-56 L=3		*		2
9	21044300	SLIDE PLATE B				1
10	SS2110915SP	SCREW 11/64-40 L=8.5				2
11	SS7090710SP	SCREW 9/64-40 L= 6.8				1
12	SS2110915SP	SCREW 11/64-40 L=8.5				2
13	SS6151920SP	SCREW 15/64-28 L=19.0				2
14	21097605	TAKE-UP COVER (JE)				1
15	SS7150740SP	SCREW 15/64-28 L=7				2
16	CM300200001	ATTENTION SEAL				3
17	22901805	GROUND MARK				1
18	CM301200002	SAFETY LABEL_L				1
19	21059514	THREAD RACK				1

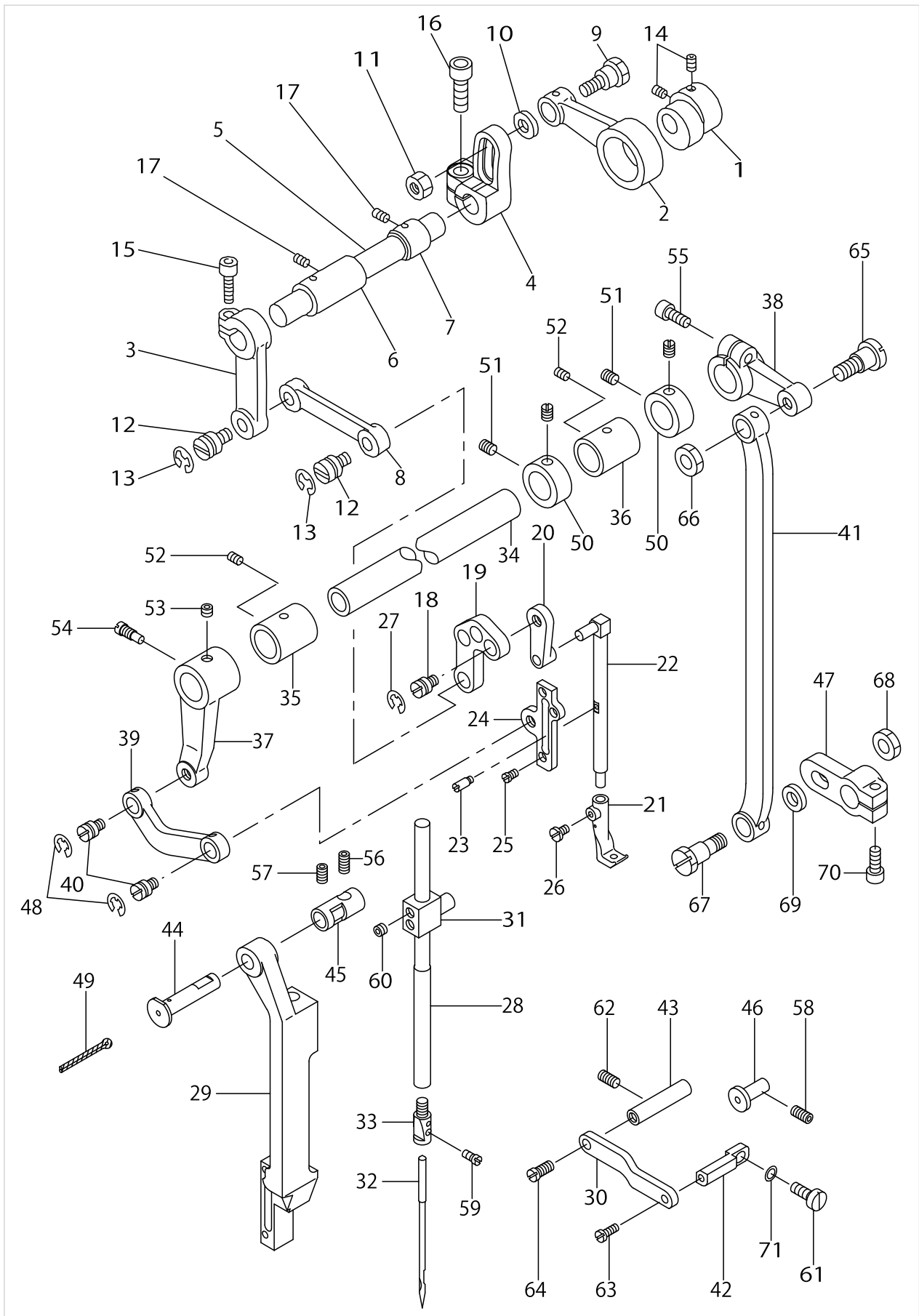
MAIN SHAFT COMPONENTS



MAIN SHAFT COMPONENTS

No.	Parts No.	Parts name	Remarks	Level	Cons	Qty
1	21044508	MAIN SHAFT				1
2	21044607	MAIN SHAFT BUSHING, FRONT				1
3	21044706	MAIN SHAFT BUSHING, CENTER				1
4	21044805	MAIN SHAFT BUSHING, REAR				1
5	21044904	THREAD TAKE-UP CAM				1
6	21091707	CRANK ROD				1
7	21045109	CRANK PLATE				1
8	21045208	FEED ECCENTRIC CAM				1
9	21067855	HAND WHEEL COMPL.				1
10	CQ202000000	OIL WICK				0.16
11	NS6680410SP	NUT 9/32-28				1
12	21045406	FELT				3
13	21045505	SIDE PLATE				1
14	21045604	NEEDLE BAR CRANK SHAFT				1
15	21045703	THRUST COLLAR				1
16	SS8151550SP	SCREW 15/64-28 L=15				3
17	SS8660612TP	SCREW 1/4-40 L=6				2
18	PT0405600SH	TAPER PIN				1
19	NS6680410SP	NUT 9/32-28				1
20	SS1681140SP	SCREW 9/32-28 L=11				2
21	SS8150710SP	SCREW 15/64-28 L=7				2
22	SS2110915SP	SCREW 11/64-40 L=8.5				2
23	SS9702110SP	SCREW				2
24	RE0400000K0	E-RING 4				1
25	SS8660610TP	SCREW 1/4-40 L=6				2
26	21091806	THREAD TAKE-UP LEVER				1
27	21046008	BALANCE ROLLER.				1
28	21046107	ROLLER	SELECTIVE PARTS			1
29	21046206	ROLLER	SELECTIVE PARTS			1
30	21046313	ROLLER STUD				1
31	SD1070901TP	HINGE SCREW				1
32	40027078	ROLLER	SELECTIVE PARTS			1

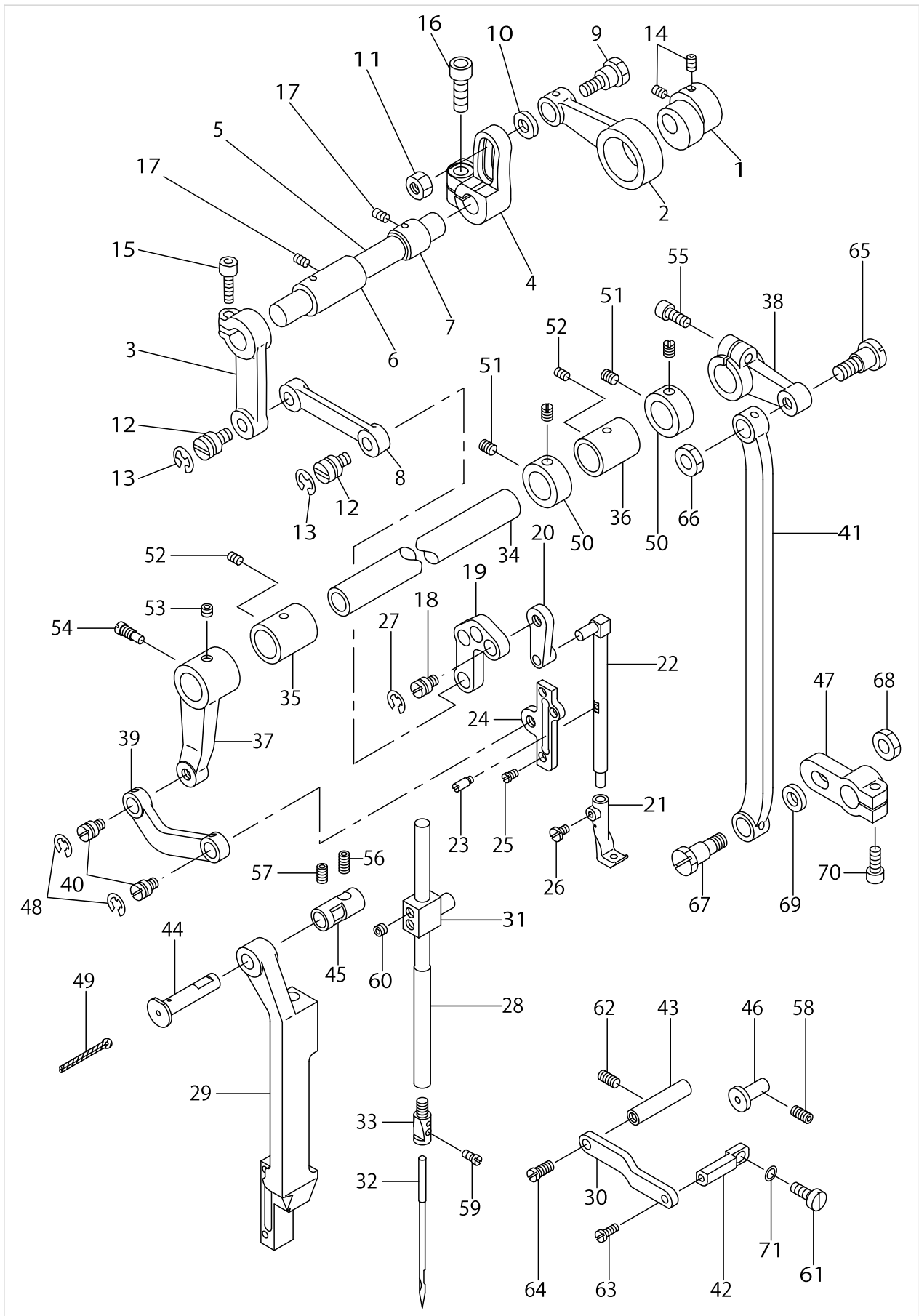
NEEDLE BAR & UPPER FEED MECHANISM COMPONENTS



NEEDLE BAR & UPPER FEED MECHANISM COMPONENTS

No.	Parts No.	Parts name	Remarks	Level	Cons	Qty
1	21049200	DRIVING CAM				1
2	21049309	CONNECTING ROD				1
3	21049408	DRIVING SHAFT ARM, FRONT				1
4	21049515	DRIVING SHAFT ARM, REAR				1
5	21049606	FEED ROCKER SHAFT				1
6	21049705	BUSHING, FRONT				1
7	21049804	BUSHING,REAR				1
8	21049903	ROD				1
9	21050000	HINGE SCREW				1
10	21050109	WASHER				1
11	NS6720440SP	NUT 11/32-28				1
12	21048707	HINGE SCREW				2
13	RE0800000K0	E-SHAPED SNAP RING (8MM)				2
14	SS8660610TP	SCREW 1/4-40 L=6				2
15	SM6061552TP	SCREW M6 L=15				1
16	SM6081802TP	SCREW				1
17	SS8150710SP	SCREW 15/64-28 L=7				2
18	21048707	HINGE SCREW				2
19	21093901	L-LINK				1
20	21094008	UPPER FEED FRAME DRIVING LINK				1
21	21094107	WALKING FOOT				1
22	21094701	UPPER FEED BAR				1
23	21094800	UPPER FEED BAR PIN				1
24	21094909	UPPER FEED BAR GUIDE				1
25	SS7110540SP	SCREW 11/64-40 L=5				3
26	SS7110840SP	SCREW 11/64-40 L=7.8				1
27	RE0800000K0	E-SHAPED SNAP RING (8MM)				2
28	21092002	NEEDLE BAR				1
29	21092101	FRAME DRIVING BASE				1
30	21092200	PRESSURE PLATE				1
31	21092309	NEEDLE BAR CONNECTION				1
32	MC532002300	NEEDLE (794 NM=230)				1
33	21092408	NEEDLE STOPPER				1
34	21092507	DRIVING SHAFT				1
35	21092606	DRIVING SHAFT FRONT METAL				1
36	21092705	DRIVING SHAFT REAR METAL				1
37	21092804	DRIVING SHAFT FRONT ARM				1
38	21092903	DRIVING SHAFT REAR ARM				1
39	21093000	FRAME DRIVING LINK				1
40	21048707	HINGE SCREW				2
41	21093109	NEEDLE BAR FRAME DRIVING ROD				1
42	21093208	PRESSURE PLATE				1
43	21093307	PRESSURE SHAFT				1
44	21093406	FRAME DRIVING BASE SHAFT				1
45	21093505	FRAME DRIVING BASE SHAFT METAL				1
46	21093604	FRAME DRIVING BASE GUIDE				1
47	21093703	NEEDLE ROD ROCKING ARM				1

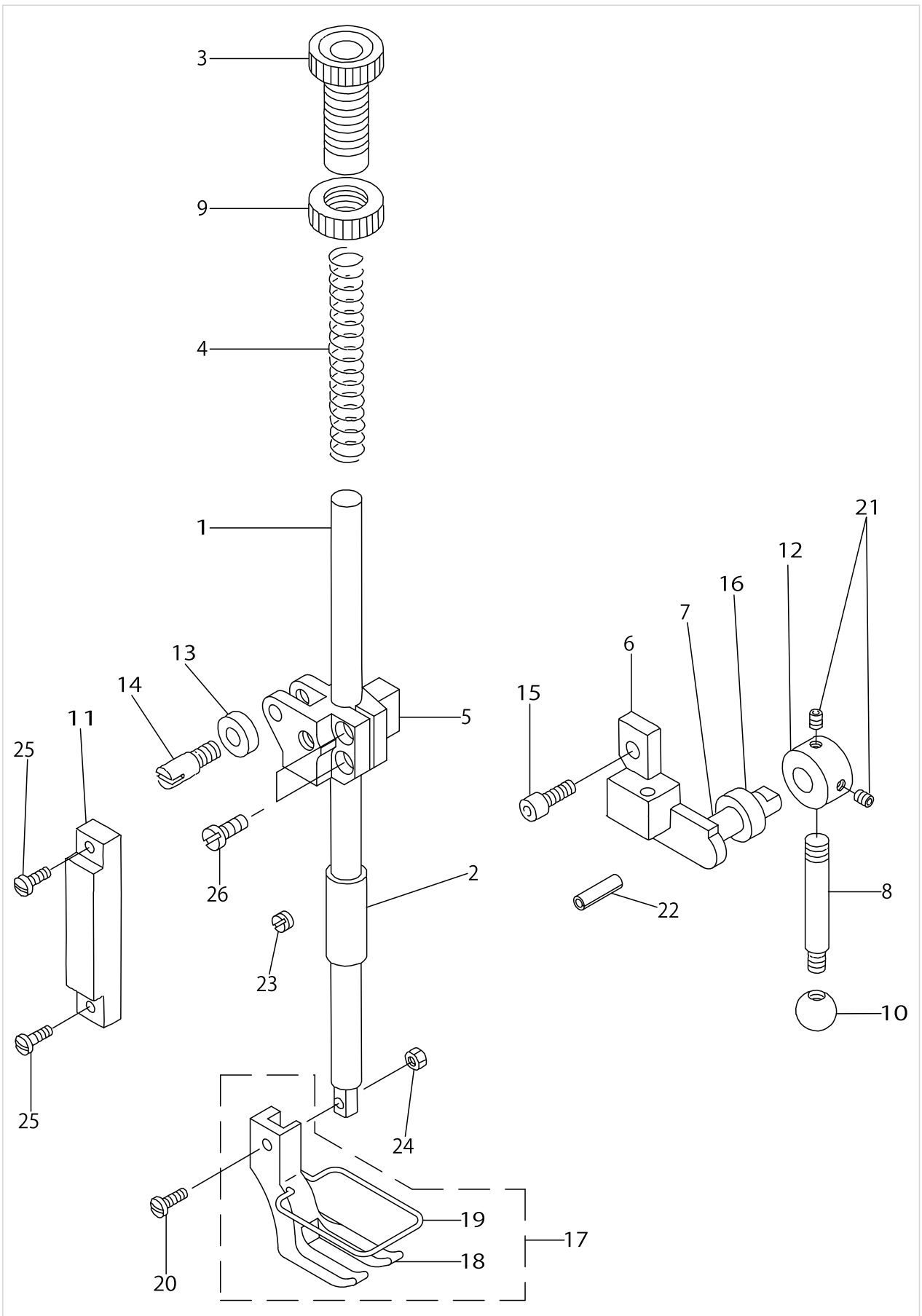
NEEDLE BAR & UPPER FEED MECHANISM COMPONENTS



NEEDLE BAR & UPPER FEED MECHANISM COMPONENTS

No.	Parts No.	Parts name	Remarks	Level	Cons	Qty
48	RE080000K0	E-SHAPED SNAP RING (8MM)				2
49	CQ202000000	OIL WICK				1
50	CS1801211SH	THRUST COLLAR D=18 W=12				2
51	SS8660810TP	SCREW 1/4-40 L=8				4
52	SS8150710SP	SCREW 15/64-28 L=7				2
53	SS8660512TP	SCREW 1/4-40 L=5				1
54	SS7151550SP	SCREW 15/64-28 L=14.5				1
55	SM6061552TP	SCREW M6 L=15				1
56	SM8061212TP	SCREW M6X12				1
57	D2446141E00	METAL SCREW				1
58	SM8061212TP	SCREW M6X12				1
59	SS6110710TP	SCREW 11/64-40 L= 6.5				1
60	SS8660512TP	SCREW 1/4-40 L=5				2
61	SM6061650TP	SCREW				1
62	SM8061212TP	SCREW M6X12				1
63	SS7111120SP	SCREW 11/64-40 L=10.5				1
64	SS7151120SP	SCREW 15/64-28 L=11				1
65	SD1201201TP	HINGE SCREW				1
66	NS6680410SP	NUT 9/32-28				1
67	21050000	HINGE SCREW				1
68	NS6720440SP	NUT 11/32-28				1
69	21050109	WASHER				1
70	SM6061552TP	SCREW M6 L=15				1
71	WP0621026SP	WASHER 6.2X9.5X1				1

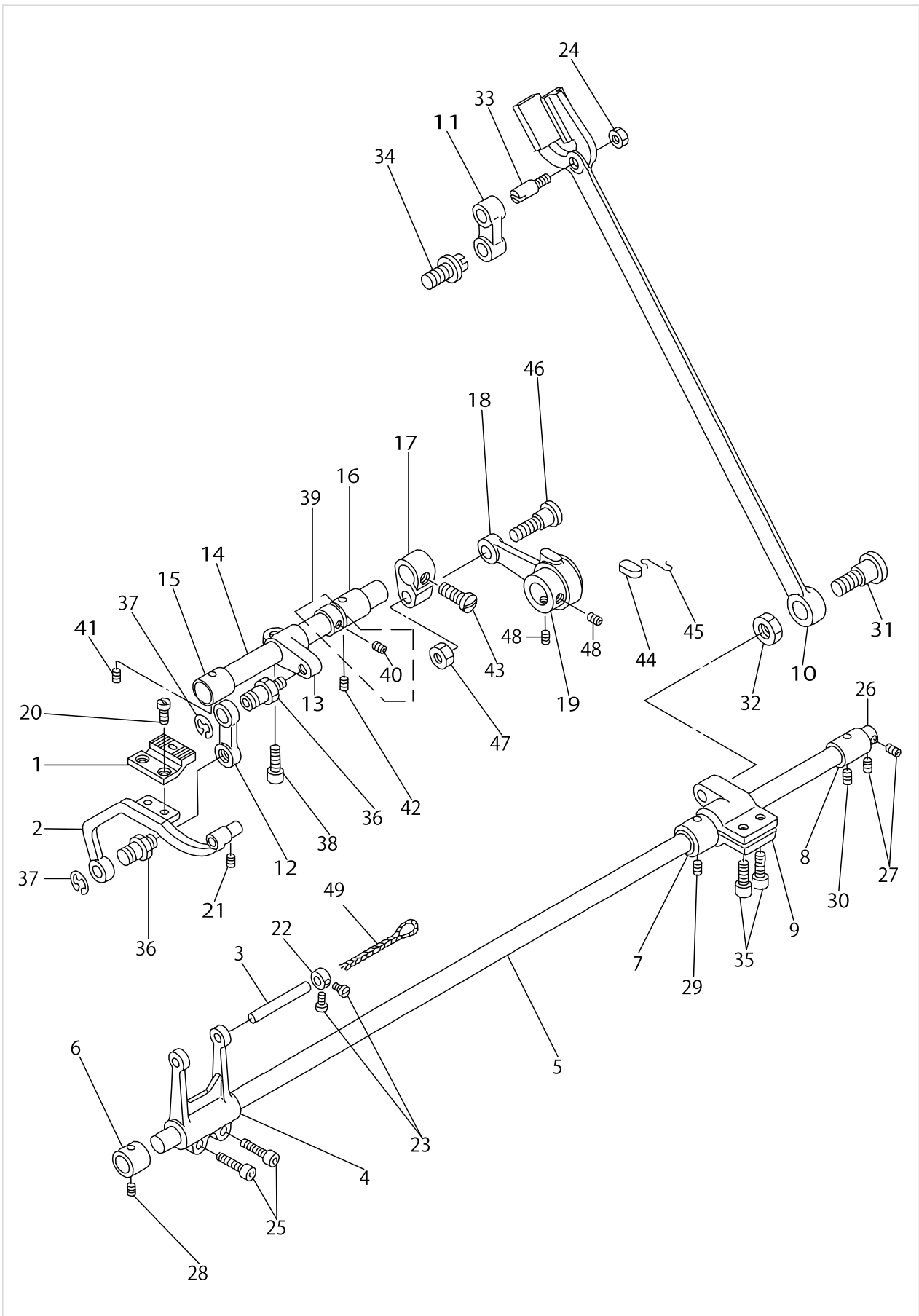
PRESSURE COMPONENTS



PRESSURE COMPONENTS

No.	Parts No.	Parts name	Remarks	Level	Cons	Qty
1	21050505	PRESSER BAR				1
2	21050604	PRESSER BAR BUSHING				1
3	21050703	SCREW				1
4	21050802	SPRING				1
5	21095005	PRESSER BAR GUIDE BRACKET				1
6	21051008	HAND LIFTER LINK				1
7	21051107	HAND LIFTER CAM				1
8	21051206	HAND LIFTER LEVER				1
9	21051305	NUT				1
10	21051404	GRIP				1
11	21051503	GUIDE PLATE				1
12	21051602	THRUST COLLAR				1
13	21051701	ROLLER FOLLOWER				1
14	21051800	GUIDE NUT				1
15	SS6660622TP	SCREW				1
16	B1662562000	COLLAR				1
17	21095153	PRESSER FOOT ASM.				1
18	21095104	PRESSER FOOT		*		1
19	21097506	GUARD		*		1
20	SS7091410SP	SCREW 9/64-40 L=13.5				1
21	SS8660942TP	SCREW 1/4-40 L= 8.5				2
22	PS0300201KP	SPRING PIN 3.0X20				1
23	SS8150410SP	SCREW 15/64-28 L=4				1
24	NS6090310SP	NUT 9/64-40				1
25	SS7621040SP	SCREW 3/16-32 L= 9.5				2
26	SS6121210SP	SCREW 3/16-28 L=12				2

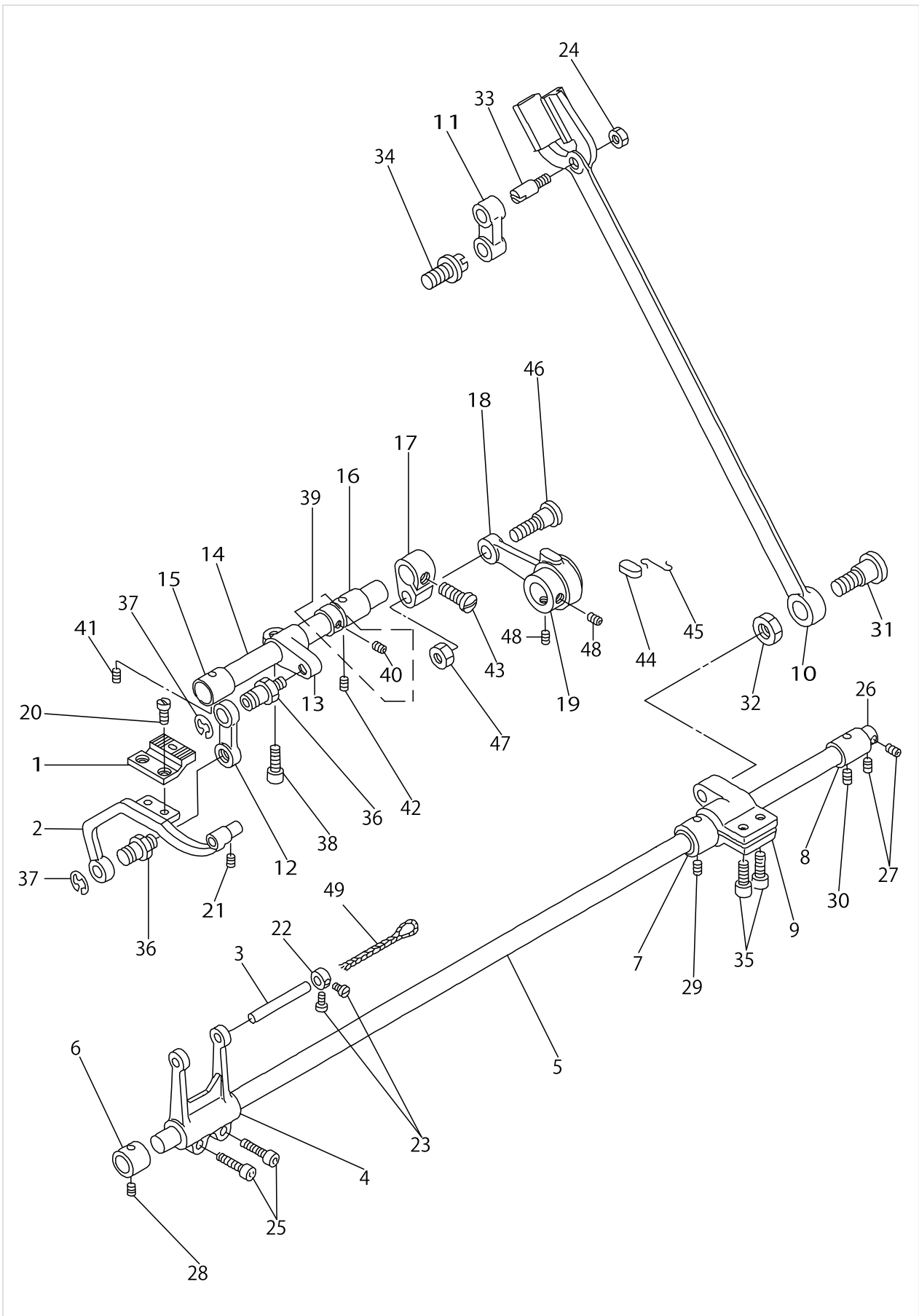
FEED MECHANISM COMPONENTS



FEED MECHANISM COMPONENTS

No.	Parts No.	Parts name	Remarks	Level	Cons	Qty
1	21095609	FEED DOG				1
2	21052006	FEED BAR				1
3	21052105	FEED BAR SHAFT				1
4	21052204	FEED BAR ARM.				1
5	21052303	FEED ROCKER SHAFT				1
6	21052402	FEED ROCKER SHAFT BUSHINGFRONT				1
7	21052501	FEED ROCKER SHAFT BUSHINGCETER				1
8	21052600	FEED ROCKER SHAFT BUSHING,REAR				1
9	21052709	FEED ROCKER SHAFT ARM,REAR				1
10	21052808	ROD				1
11	B1619241H00	FEED CONNECTING LINK				1
12	21053004	FEED BAR LINK				1
13	21053103	DRIVING SHAFT ARM,FRONT				1
14	21053202	DRIVING SHAFT				1
15	21052600	FEED ROCKER SHAFT BUSHING,REAR				1
16	21052501	FEED ROCKER SHAFT BUSHINGCETER				1
17	21053509	DRIVING SHAFT ARM,REAR				1
18	21053608	CAM ROD				1
19	21053707	FEED DRIVING CAM				1
20	SS4080620TP	SCREW 1/8-44 L=6				2
21	SS8620610TP	SCREW 3/16-32 L=6				1
22	CS0790721TH	THRUST COLLAR D=7.94 W=7				1
23	SS7090620TP	SCREW 9/64-40 L=6.1				2
24	NS6680410SP	NUT 9/32-28				1
25	SM6061552TP	SCREW M6 L=15				2
26	CS1471012SH	THRUST COLLAR D=14.72 W=10				1
27	SS8660610TP	SCREW 1/4-40 L=6				2
28	SS8151150SP	SCREW 15/64-28 L=10.5				1
29	SS8150710SP	SCREW 15/64-28 L=7				1
30	SS8151150SP	SCREW 15/64-28 L=10.5				1
31	SD1201201TP	HINGE SCREW				1
32	NS6680410SP	NUT 9/32-28				1
33	B1617241H00	HINGE SCREW, A				1
34	B1618241H00	HINGE SCREW, B				1
35	SM6061552TP	SCREW M6 L=15				2
36	B1424158000	HINGE SCREW				2
37	RE0700000K0	E-RING 7				2
38	SM6061552TP	SCREW M6 L=15				1
39	22904155	MAIN SHAFT THRUST COLLAR ASM.				1
40	SS8660610TP	SCREW 1/4-40 L=6		*		2
41	SS8151150SP	SCREW 15/64-28 L=10.5				1
42	SS8150710SP	SCREW 15/64-28 L=7				1
43	SS6151920SP	SCREW 15/64-28 L=19.0				1
44	B1702012000	OIL FELT				1
45	B1213012000	FELT RETAINER				1
46	SD1000951SP	HINGE SCREW D=10 H=9.5				1
47	NS6680410SP	NUT 9/32-28				1

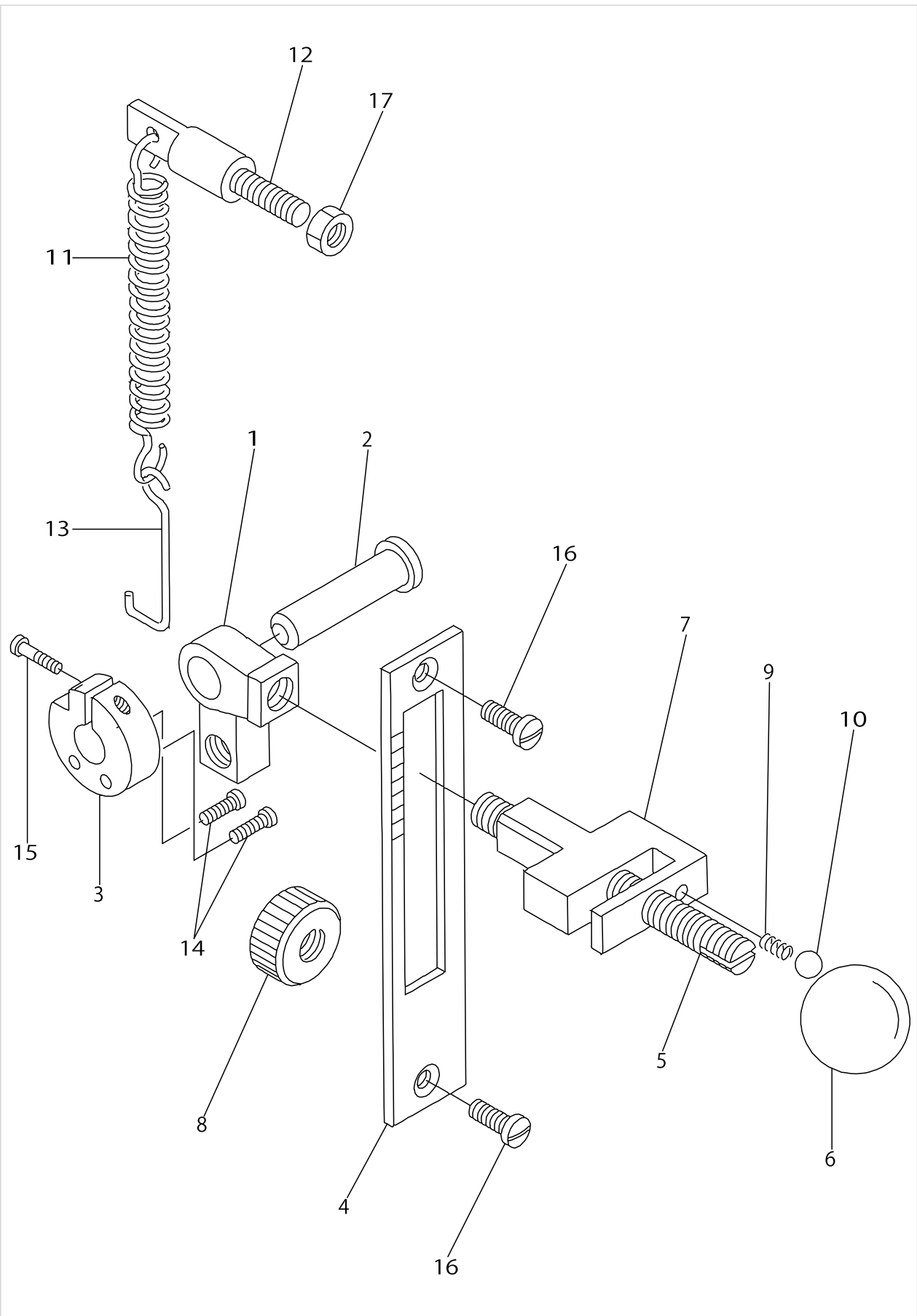
FEED MECHANISM COMPONENTS



FEED MECHANISM COMPONENTS

No.	Parts No.	Parts name	Remarks	Level	Cons	Qty
48	SS8660512TP	SCREW 1/4-40 L=5				2
49	CQ202000000	OIL WICK				0.13

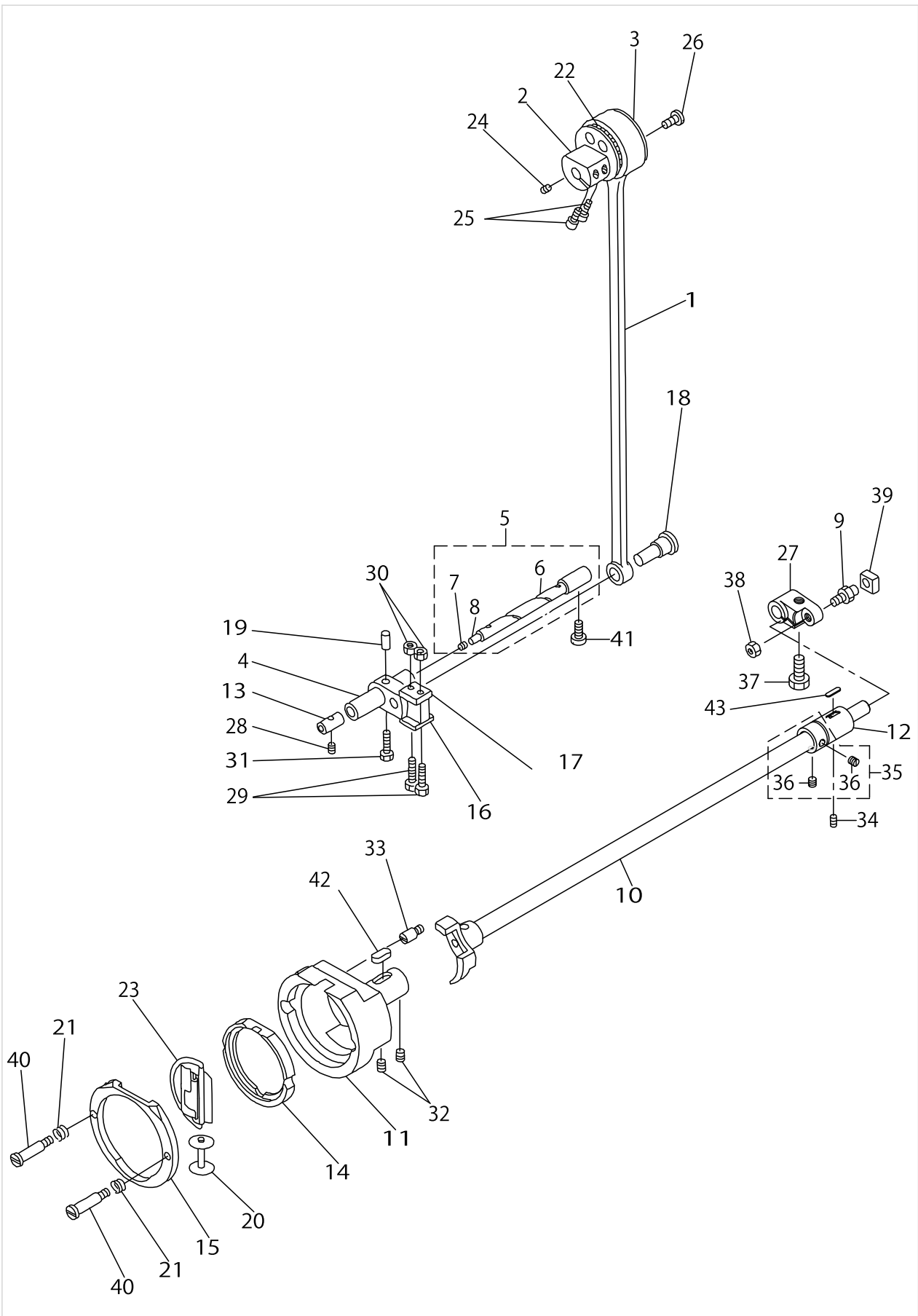
FEED REGULATOR MECHANISM COMPONENTS



FEED REGULATOR MECHANISM COMPONENTS

No.	Parts No.	Parts name	Remarks	Level	Cons	Qty
1	21054002	FEED REGULATOR				1
2	21054101	FEED REGULATOR SHAFT				1
3	21054200	STOPPER				1
4	21054309	SIDE COVER				1
5	21054408	LEVER SHAFT				1
6	21054507	LEVER GRIP				1
7	21054606	LEVER				1
8	21054705	NUT				1
9	21054804	SPRING				1
10	21054903	BALL				1
11	21055009	SPRING				1
12	21055108	SPRING SUSPENTION SHAFT				1
13	21055207	SPRING SUSPENTION				1
14	SS6121610TP	SCREW 3/16-28 L=15.5				2
15	SS6621840SP	SCREW 3/16-32 L=18.0				1
16	SS7150740SP	SCREW 15/64-28 L=7				2
17	NS6680320SP	NUT 9/32-28				1

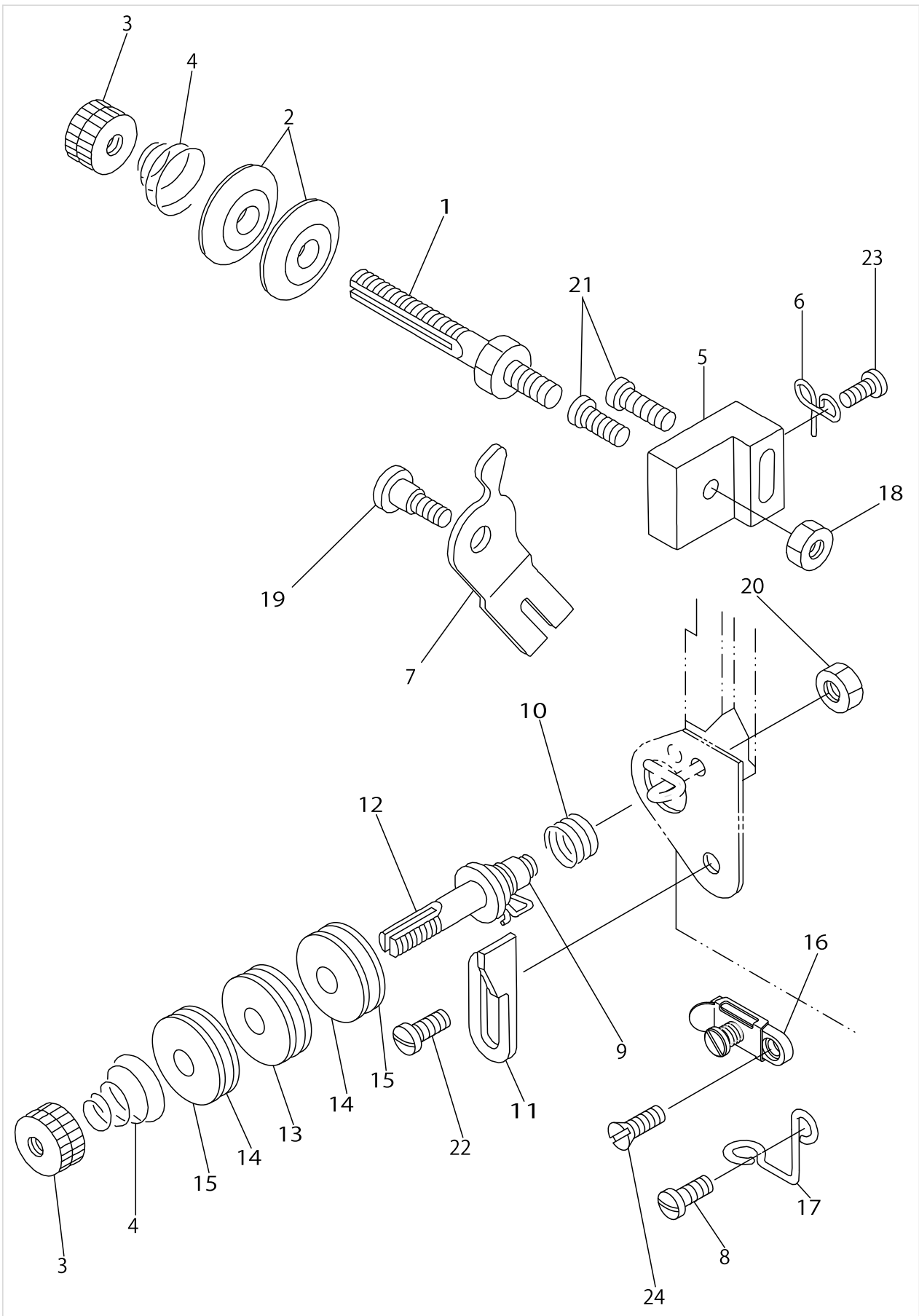
HOOK DRIVING SHAFT COMPONENTS



HOOK DRIVING SHAFT COMPONENTS

No.	Parts No.	Parts name	Remarks	Level	Cons	Qty
1	21055504	CONNECTING ROD				1
2	21055603	CON-ROD ECCENTRIC CAM				1
3	21055702	CAM SLIDE PLATE				1
4	21055801	OSCILATING ROCK SHAFT				1
5	21055959	OSCILATING ROCK SHAFT				1
6	21055900	HINGE PIN		*		1
7	TA0290301M0	RUBBER PLUG		*		1
8	CQ303000000	OIL WICK		*		0.04
9	21056312	ROLLER STUD				1
10	40178619	HOOK_DRIVING_SHAFT_ASM				1
11	21056502	DRIVING SHAFT BUSHING,FRONT				1
12	21056601	DRIVING SHAFT BUSHING,REAR				1
13	21056007	ROCK SHAFT BUSHING,FRONT				1
14	21056809	SHUTTLE RACE BODY				1
15	21056908	HOOK COVER				1
16	21057005	SLIDE PLATE A				1
17	21057104	SLIDE PLATE B				1
18	21057203	CON-ROD PIN				1
19	21057302	CON-ROD PIN WEDGE				1
20	21057401	BOBBIN				1
21	21057500	HOOK COUNTER SPRING				2
22	21057609	CAGE & ROLLER				1
23	21041850	HOOK ASM.				1
24	SS8151550SP	SCREW 15/64-28 L=15				1
25	SM6081802TP	SCREW				2
26	SS7110830SP	SCREW 11/64-40 L= 7.5				2
27	21154216	OSCILLATOR				1
28	SS8151150SP	SCREW 15/64-28 L=10.5				1
29	21057708	SCREW				2
30	NS6110420SP	NUT 11/64-40				2
31	SS7621510SP	SCREW				1
32	SS8151550SP	SCREW 15/64-28 L=15				2
33	21057807	SCREW				1
34	SS8150710SP	SCREW 15/64-28 L=7				1
35	22904155	MAIN SHAFT THRUST COLLAR ASM.				1
36	SS8660610TP	SCREW 1/4-40 L=6		*		2
37	SM9082003SC	SCREW M8 L=20				1
38	NS6680320SP	NUT 9/32-28				1
39	21056205	CRANK SLIDE BLOCK				1
40	21057906	SCREW				2
41	SS6151440SP	SCREW 15/64-28 L=14				1
42	B1702012000	OIL FELT				1
43	B1806038000	OIL FELT				1

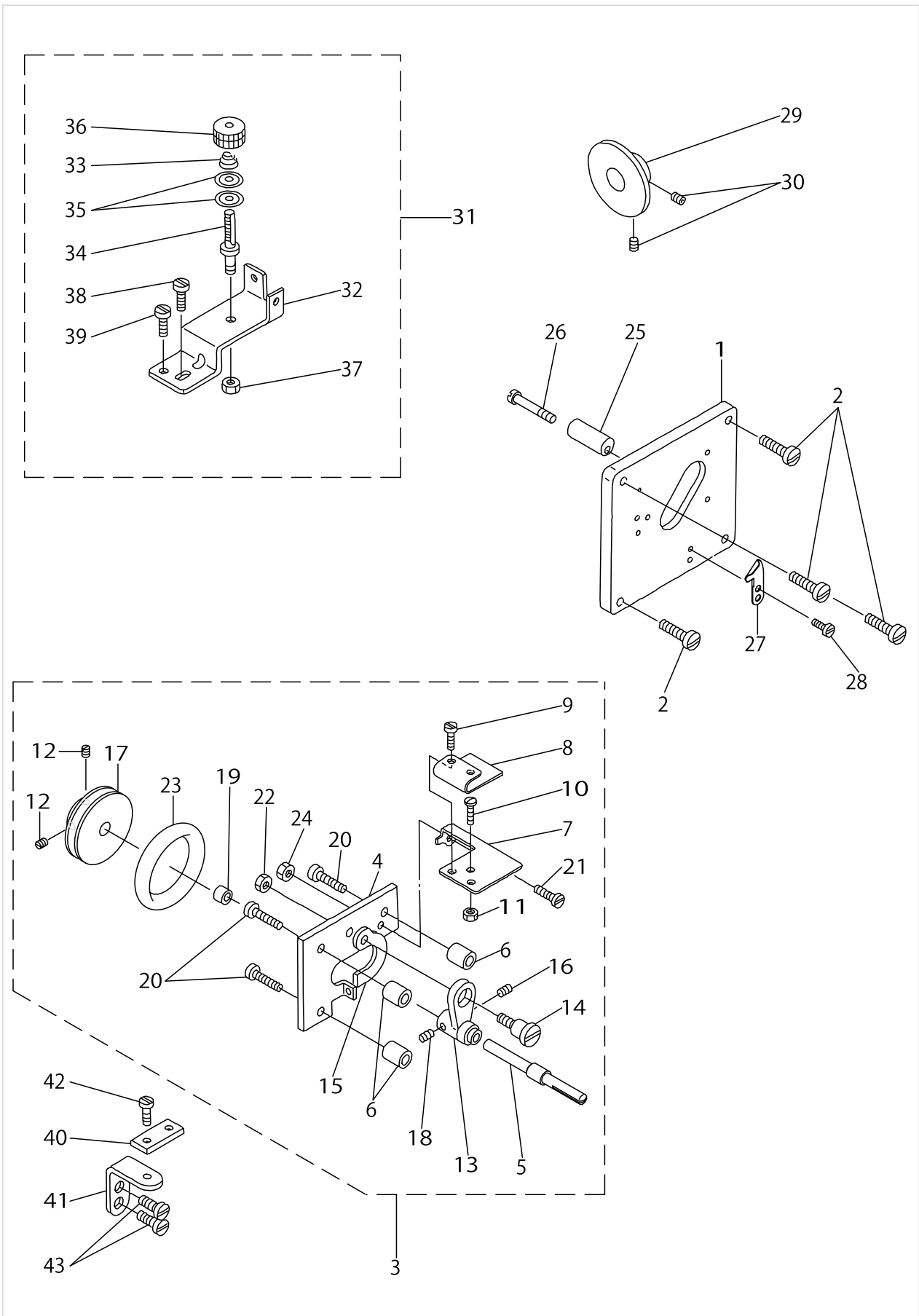
TENSION POST COMPONENTS



TENSION POST COMPONENTS

No.	Parts No.	Parts name	Remarks	Level	Cons	Qty
1	21059001	THREAD TENSION POST				1
2	B3126012000	THREAD TENSION DISK				2
3	B3125012000	THREAD TENSION NUT				2
4	21059100	THREAD TENSION SPRING				2
5	21059209	THREAD TENSION POST BRACKET				1
6	21059308	THREAD TENSION GUIDE				1
7	21059407	THREAD RELEASING PLATE				1
8	SS7090710SP	SCREW 9/64-40 L= 6.8				1
9	21059605	SPRING A				1
10	21059704	THREAD TAKE-UP SPRING GUIDE				1
11	21059803	SPRING SUPPORT PLATE				1
12	21059902	THREAD TENSION WHEEL POST				1
13	21060009	THREAD TENSION WHEEL				1
14	21060108	WHEEL FELT				2
15	21060207	FELT SUPPORT PLATE				2
16	21161153	ARM THREAD GUIDE ASM., LOWER				1
17	B1131562000	FRAME THREAD GUIDE, LOWER				1
18	NS6680320SP	NUT 9/32-28				1
19	SD0600321SP	HINGE SCREW D=6 H=3.2				1
20	NS6150310SP	NUT 15/64-28				1
21	SS7111120SP	SCREW 11/64-40 L=10.5				2
22	SS7090610SP	SCREW 9/64-40 L=6				1
23	SS7090710SP	SCREW 9/64-40 L= 6.8				1
24	SS1090410SL	SCREW 9/64-40 L=4				1

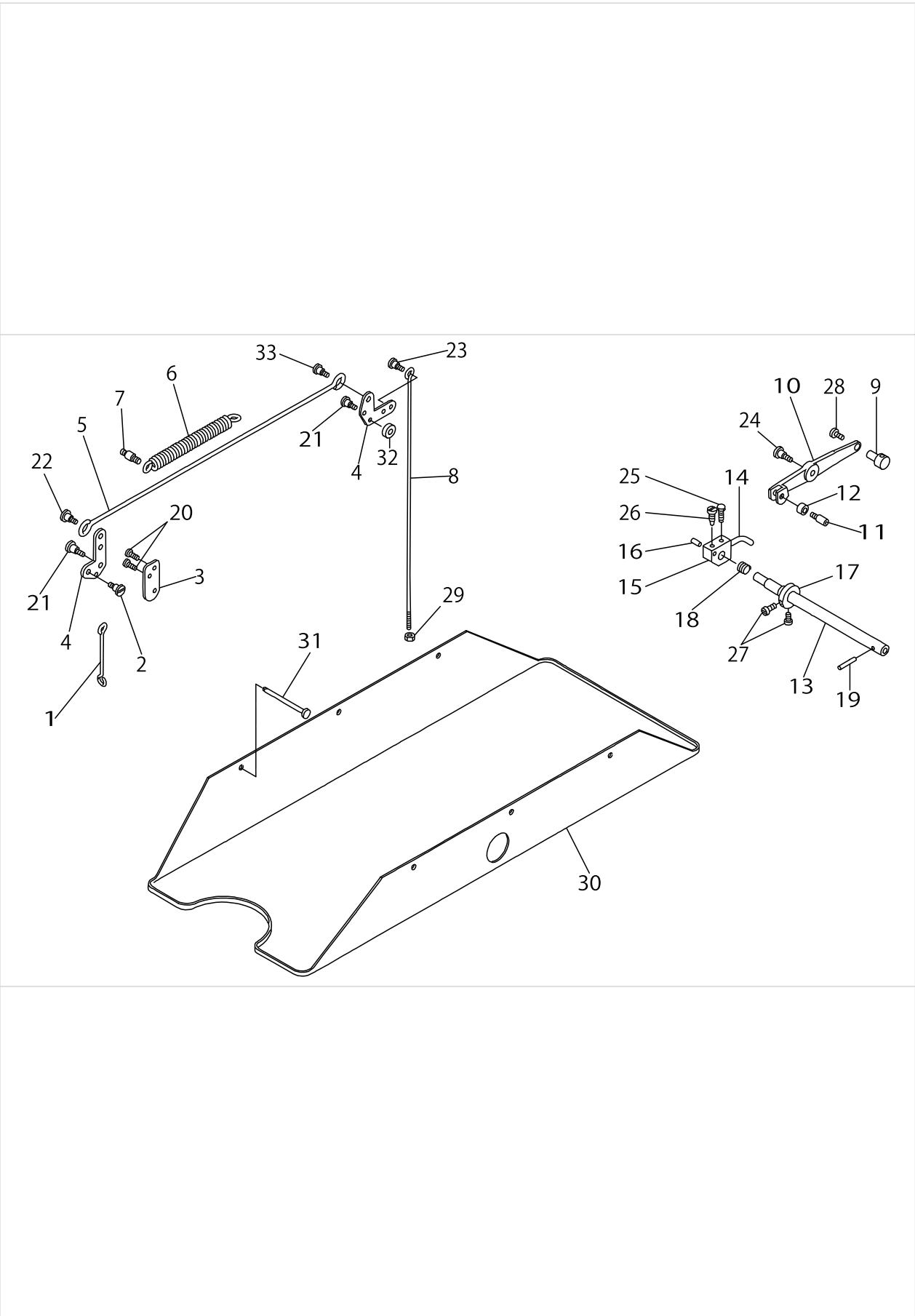
THREAD WINDER & THREAD GUIDE COMPONENTS



THREAD WINDER & THREAD GUIDE COMPONENTS

No.	Parts No.	Parts name	Remarks	Level	Cons	Qty
1	21067905	THREAD WINDOW PLATE				1
2	SS7111120SP	SCREW 11/64-40 L=10.5				4
3	21061056	THREAD WINDER ASM.				1
4	B3201158000	THREAD WINDER BASE		*		1
5	21061015	BOBBIN WINDER SPINDLE		*		1
6	B3203158000	WASHER		*		3
7	21061106	BOBBIN PRESSER		*		1
8	21061205	BOBBIN PRESSURE SPRING		*		1
9	SS5060410SP	SCREW 3/32-56 L=3.5		*		2
10	SS7081310SP	SCREW 1/8-44 L=12.5		*		1
11	NS6080210SP	NUT 1/8-44		*		1
12	SS8110510SP	SCREW 11/64-40 L=5		*		2
13	B3204232000	BOBBIN WINDER FRAME		*		1
14	B3205232000	HINGE SCREW,		*		1
15	B3206232000	BOBBIN WINDER TENSION BRACKET		*		1
16	21061304	SPRING		*		1
17	B3211210000	BOBBIN WINDER WHEEL		*		1
18	A3222958000	BOBBIN WINDER SPRING, LONG		*		1
19	B3207158000A	THREAD WIDING SHAFT COLLAR		*		1
20	SS7111810SP	SCREW 11/64-40 L=18		*		3
21	SD0720193SP	HINGE SCREW D= 7.24 H= 1.9		*		1
22	NS6110310SP	NUT 11/64-40		*		1
23	B3212210000	FRICITION WHEEL		*		1
24	NS6110310SP	NUT 11/64-40		*		1
25	21061403	STOPPER				1
26	SS7112810SP	SCREW 11/64-40 L=28				1
27	10502300	THREAD CUTTER				1
28	SS6080410SP	SCREW 1/8-44 L=4				2
29	21061601	FRICTION WHEEL				1
30	SS8150710SP	SCREW 15/64-28 L=7				2
31	21061759	THREAD WINDER GUIDE BASE ASM.				1
32	21061700	THREAD WINDER GUIDE BASE		*		1
33	B3129012B00	THREAD TENSION SPRING		*		1
34	21059001	THREAD TENSION POST		*		1
35	B3126012000	THREAD TENSION DISK		*		2
36	B3125012000	THREAD TENSION NUT		*		1
37	NS6680320SP	NUT 9/32-28		*		1
38	SS7110910SP	SCREW 11/64-40 L=8.5		*		1
39	SS6080710SP	SCREW 1/8-44 L= 6.5		*		1
40	B2510158000	THREAD WINDER THREAD GUIDE				1
41	21061908	GUIDE BRACKET				1
42	SS7090710SP	SCREW 9/64-40 L= 6.8				1
43	SS7151120SP	SCREW 15/64-28 L=11				2

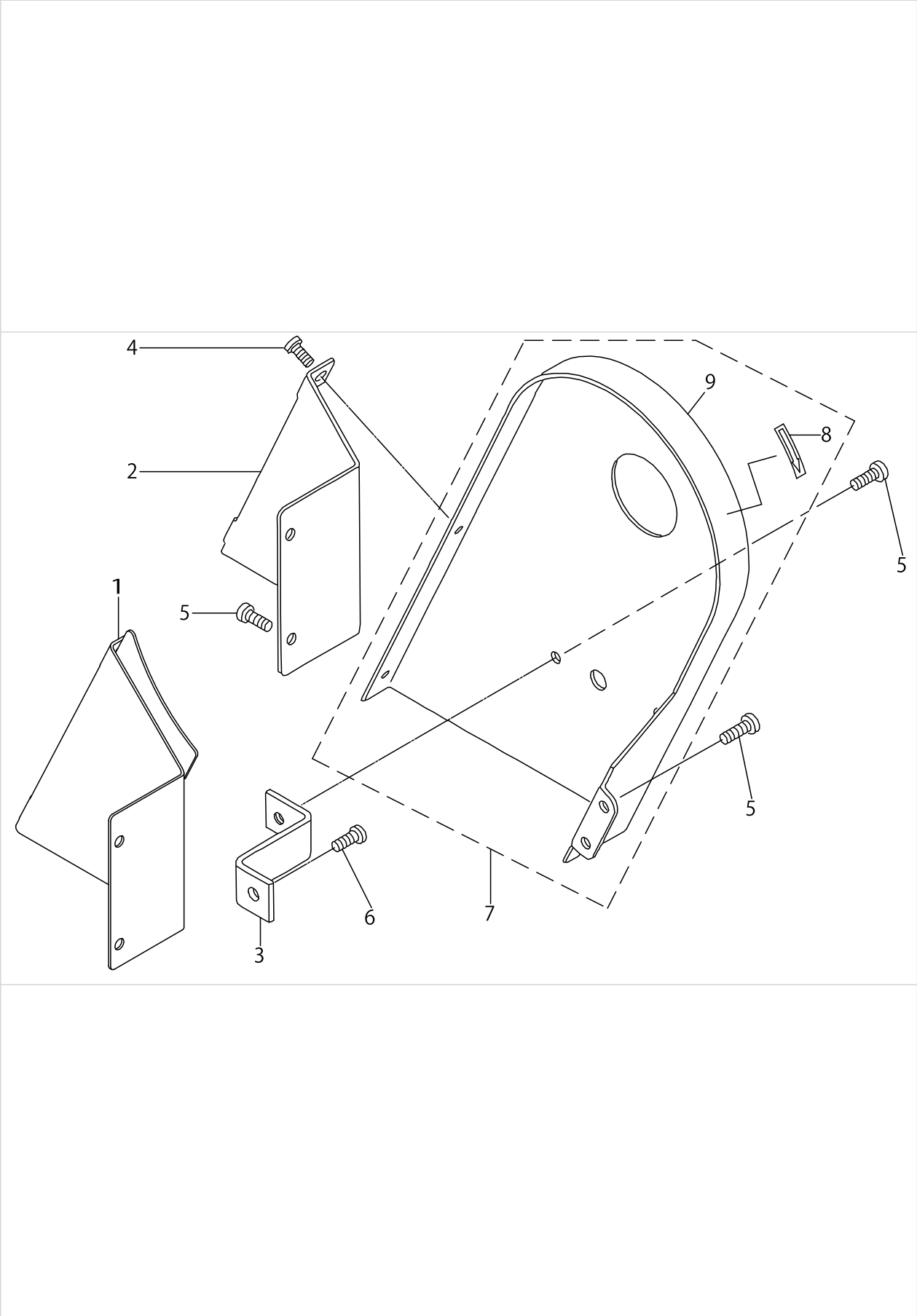
KNEE LIFTER & OIL PAN COMPONENTS



KNEE LIFTER & OIL PAN COMPONENTS

No.	Parts No.	Parts name	Remarks	Level	Cons	Qty
1	21062500	PRESSER BAR LIFTING BAR				1
2	21062609	HINGE SCREW				1
3	21062708	LINK BASE				1
4	21062807	PRESSER BAR LIFTING LINK				2
5	21062906	KNEE LIFTER SIDE CONNECTINGBAR				1
6	B1513280000	TENSION SPRING				1
7	B3413227000	SPRING SUSPENSION				1
8	21063003	CONNECTING BAR				1
9	21063102	CONNECTING BAR JOINT				1
10	21063201	KNEE LIFTER LEVER				1
11	21063300	ROLLER STUD				1
12	21063409	ROLLER				1
13	21063508	KNEE PRESS SIDE SHAFT				1
14	21063607	KNEE LIFTER BAR				1
15	21063706	KNEE LIFTER BAR BROCK				1
16	21063904	PIN				1
17	21063805	SPRING PRESSER REGULATORYCOLLA				1
18	B3429521000	KNEE PRESS SPRING				1
19	B3432521000	PIN				1
20	SS7150740SP	SCREW 15/64-28 L=7				2
21	SD0790431SP	HINGE SCREW D= 7.94 H= 4.3				2
22	SD0790431SP	HINGE SCREW D= 7.94 H= 4.3				1
23	SD1000701TP	HINGE SCREW D=10 H=7				1
24	SD1111351SP	HINGE SCREW D=11.11 H=13.5				1
25	SS9681610TP	SCREW 9/32-28 L=16				1
26	SS7681650TP	SCREW 9/32-28 L=16				1
27	SS7110910TP	SCREW 11/64-40 L= 8.5				2
28	SS7620750SP	SCREW 3/16-32 L= 6.5				1
29	NS6620310SP	NUT 3/16-32				1
30	21064001	OIL PAN				1
31	10539906	SET NAIL				6
32	18125609	LINK COLLAR				1
33	SD0790432SP	HINGE SCREW D= 7.94 H= 4.3				1

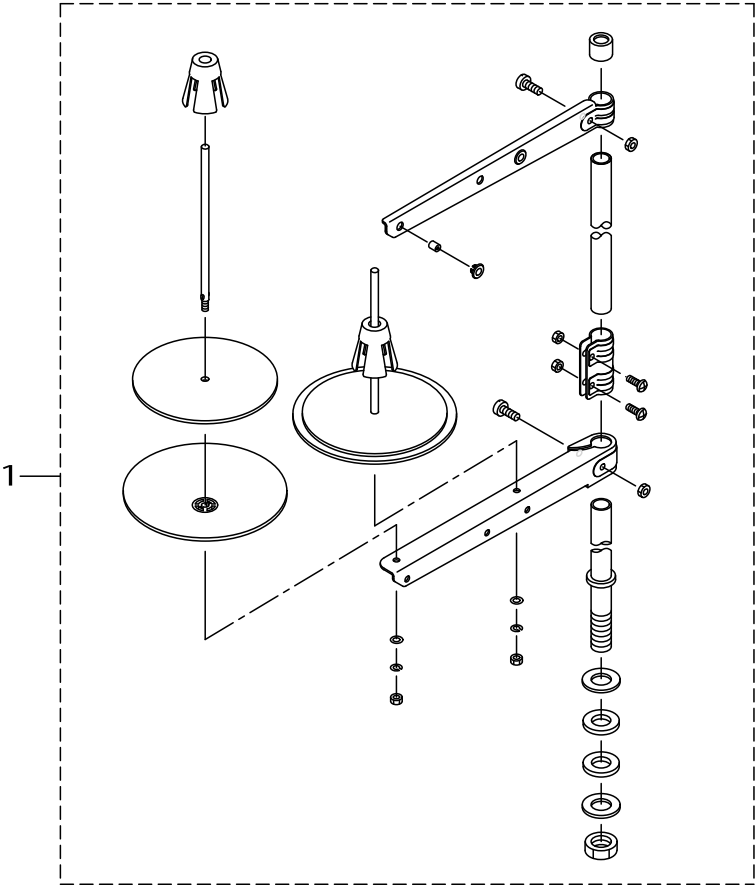
BELT COVER COMPONENTS



BELT COVER COMPONENTS

No.	Parts No.	Parts name	Remarks	Level	Cons	Qty
1	21096508	BELT COVER B (JE)	FOR JE			1
2	21068101	BELT COVER B				1
3	21064308	BELT COVER BRACET				1
4	SS6110480SP	SCREW 11/64-40 L=4.3				2
5	SS7150740SP	SCREW 15/64-28 L=7				5
6	SS7151410TP	SCREW 15/64-28 L=14				1
7	21068051	BELT COVER A				1
8	CM500300001	DIRECTION LABEL		*		1
9	21068002	BELT COVER A		*		1

THREAD STAND COMPONENTS



THREAD STAND COMPONENTS

No.	Parts No.	Parts name	Remarks	Level	Cons	Qty
1	40096354	THREAD STAND ASM.				1

TABLE COMPONENTS

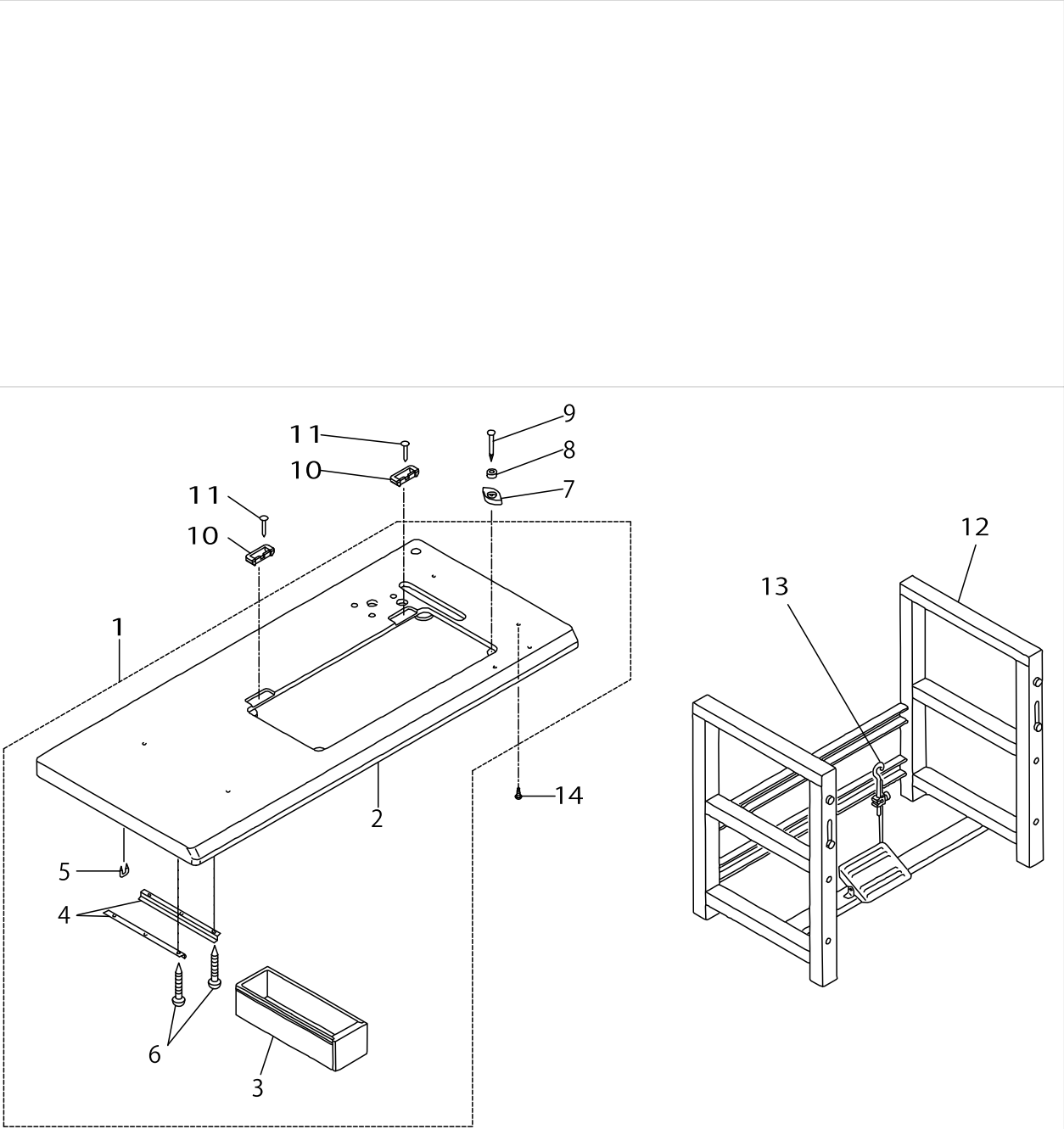
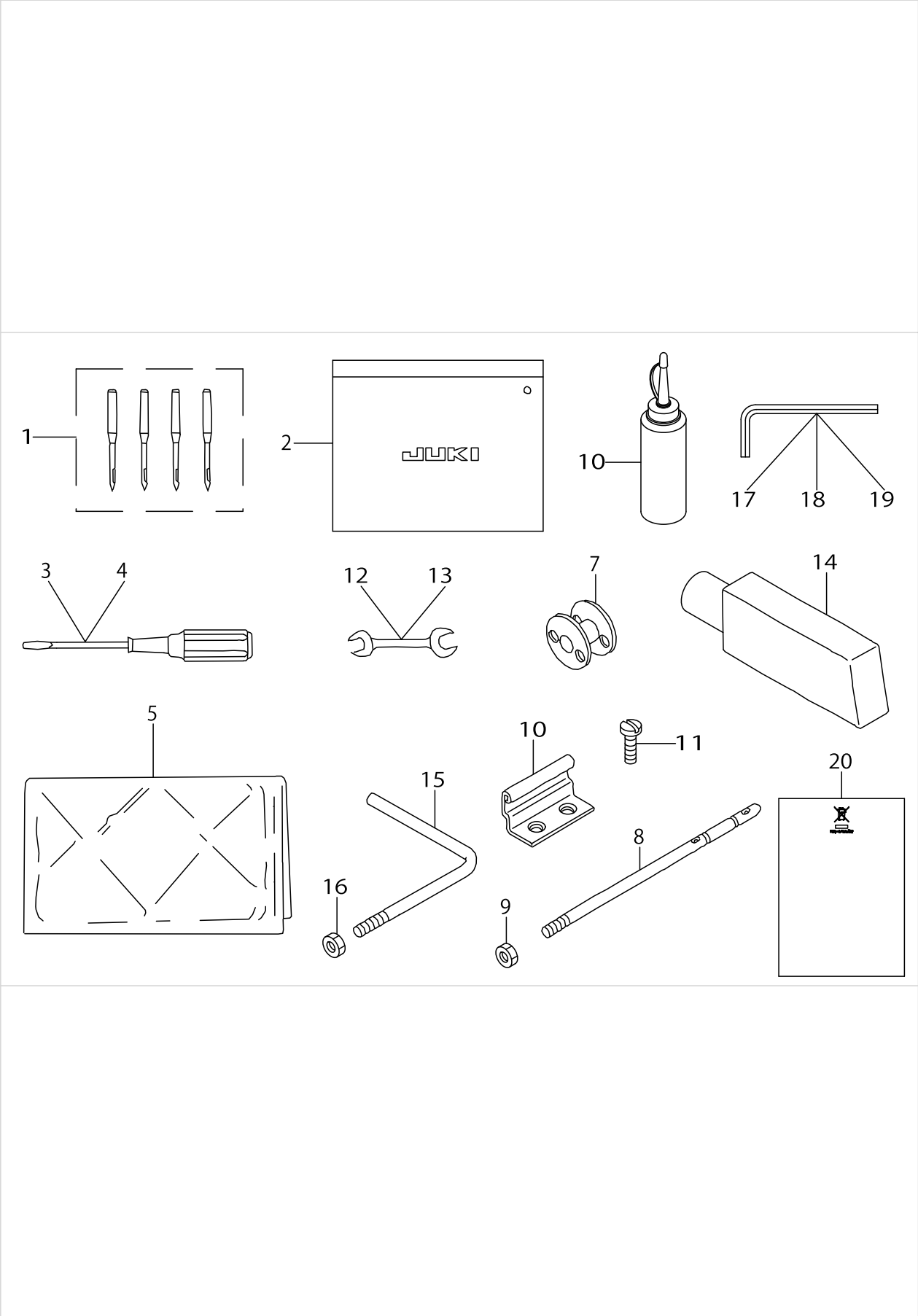


TABLE COMPONENTS

No.	Parts No.	Parts name	Remarks	Level	Cons	Qty
1	21068754	TABLE ASM.				1
2	21068705	TABLE		*		1
3	11155108	DRAWER		*		1
4	11155207	DRAWER SUPPORT		*		2
5	B8204555D00	STAPLE BASE		*		1
6	SK3311600SE	WOOD SCREW D=3.1 L=16		*		6
7	B8209012000	RUBBER CUSHION				4
8	B8206012000	FELT CUSHION				4
9	10539906	SET NAIL				4
10	11075801	RUBBER SPACER				2
11	10539906	SET NAIL				4
12	21065156	LEG ASM.				1
13	B71140120A0	MOTOR CONNECTING ROD ASM.				1
14	SK3513200SC	WOOD SCREW D=5.1 L=32				4

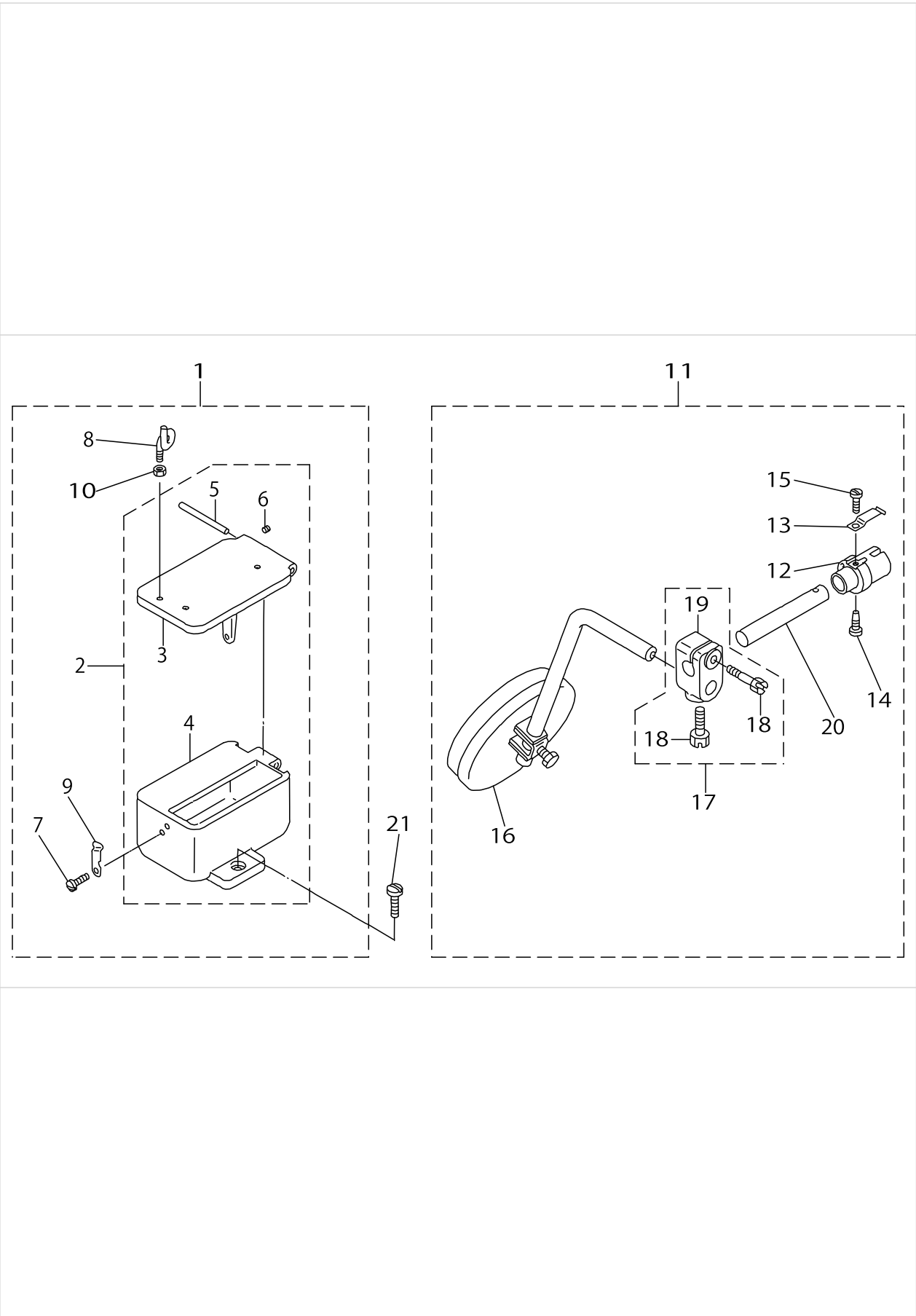
ACCESSORIES PARTS COMPONENTS (1)



ACCESSORIES PARTS COMPONENTS (1)

No.	Parts No.	Parts name	Remarks	Level	Cons	Qty
1	MC532002304	NEEDLE (794 NM=230-4)				1
2	22932800	ACCESSORIE BAG				1
3	22933006	SCREW DRIVER,LARGE				1
4	12347308	SCREW DRIVER (SMALL)				1
5	26234005	VINYL COVER				1
6	B91212200A0	OILER (CONTAINING NO.2 OIL)				1
7	21057401	BOBBIN				3
8	40052262	THREAD GUIDE PIN				1
9	NS6620310SP	NUT 3/16-32				1
10	B8213512000	HINGE				2
11	SS1681140SP	SCREW 9/32-28 L=11				4
12	26034702	WRENCH				1
13	B9113012000	WRENCH (9X10)				1
14	21064506	SUPPORTING BLOCK				1
15	21064605	SUPPORTING ARM	OPTION			1
16	NS6150430SP	NUT 15/64-28	OPTION			1
17	B9141372000	HEXAGONAL WRENCH, LARGE				1
18	J106600000F	HEXAGONAL WRENCH KEY				1
19	J106600000G	HEXAGONAL WRENCH KEY				1
20	CM600100201	WEEE INFORMATION SHEET				1

ACCESSORIES PARTS COMPONENTS (2)



ACCESSORIES PARTS COMPONENTS (2)

No.	Parts No.	Parts name	Remarks	Level	Cons	Qty
1	21068556	OIL POT ASM.				1
2	21068564	OIL POT ASM.		*		1
3	21064704	OIL POT COVER		*		1
4	21064803	OIL POT		*		1
5	PH0400402C0	PARALLEL PIN		*		1
6	SS8090410SP	SCREW 9/64-40 L= 3.5		*		1
7	SS7090710SP	SCREW 9/64-40 L= 6.8		*		1
8	B3114761000	FRAME THREAD GUIDE B		*		1
9	21064902	COVER STOPPER		*		1
10	NS6060350SP	NUT 3/32-56		*		1
11	21065057	KNEE PRESS ASM.				1
12	B3430521000	KNEE PRESS JOINT		*		1
13	B3428521000	PRESSER SPRING		*		1
14	SS7151550SP	SCREW 15/64-28 L=14.5		*		1
15	SS7090510SP	SCREW 9/64-40 L= 4.6		*		1
16	22934251	KNEE PAD PLATE ASM.		*		1
17	40024739	KNEE PRESS ROD MOUNTING ARM ASM		*		1
18	22934707	SCREW		*		2
19	40024738	KNEE PRESS ROD MOUNTING ARM		*		1
20	21065008	SHAFT		*		1
21	SS7151210SP	SCREW 15/64-28 L=12				1

HOW TO MAKE USE OF THIS PARTS LIST

1.Explanation of codes

1)"*"mark.....means this part is changed from the previous parts book.

As to the details of the change, refer to the "List for information of change".

2)"#01".....refer to "Note" explanation at bottom of page.

2.Codes on the "Qty" column

• Each numeral indicates the number of parts required.

• "0.1" and "2.5" indicate the length (in meters) of the respective parts.

3.Parentheses mean that the corresponding part is a subpart that constructs an assembly part.

4.Dotted lines on the Figures indicate assembly parts.

1."注記"欄の記号説明

1) "*"印.....前回のパーツブックに比較して今回変更された部品を意味します。

変更内容は、"変更情報リスト"を参照してください。

2) "#01".....ページ下の"注記"の説明を参照してください。

2.数量欄の数字は、個数を表し、0.1、2.5等の数値は、長さ（単位メートル）を表します。

3.数量欄の（ ）は、組部品を構成している子部品であることを意味します。

4.イラストページの-----枠は、組構成であることを意味します。

NUMERICAL INDEX OF PARTS

PART NO	PAGE	REF NO.	PART NO	PAGE	REF NO.	PART NO	PAGE	REF NO.
10502300	22	27	21050703	10	3	21056007	18	13
10539906	24	31	21050802	10	4	21056205	18	39
10539906	30	11	21051008	10	6	21056312	18	9
11075801	30	10	21051107	10	7	21056502	18	11
11155108	30	3	21051206	10	8	21056601	18	12
11155207	30	4	21051305	10	9	21056809	18	14
12347308	32	4	21051404	10	10	21056908	18	15
18125609	24	32	21051503	10	11	21057005	18	16
21041850	18	23	21051602	10	12	21057104	18	17
21044102	2	6	21051701	10	13	21057203	18	18
21044151	2	5	21051800	10	14	21057302	18	19
21044201	2	7	21052006	12	2	21057401	18	20
21044300	2	9	21052105	12	3	21057401	32	7
21044508	4	1	21052204	12	4	21057500	18	21
21044607	4	2	21052303	12	5	21057609	18	22
21044706	4	3	21052402	12	6	21057708	18	29
21044805	4	4	21052501	12	16	21057807	18	33
21044904	4	5	21052600	12	15	21057906	18	40
21045109	4	7	21052709	12	9	21059001	20	1
21045208	4	8	21052808	12	10	21059001	22	34
21045406	4	12	21053004	12	12	21059100	20	4
21045505	4	13	21053103	12	13	21059209	20	5
21045604	4	14	21053202	12	14	21059308	20	6
21045703	4	15	21053509	12	17	21059407	20	7
21046008	4	27~ 29-32	21053608	12	18	21059514	2	19
			21053707	12	19	21059605	20	9
21046107	4	27~ 29-32	21054002	16	1	21059704	20	10
			21054101	16	2	21059803	20	11
21046206	4	27~ 29-32	21054200	16	3	21059902	20	12
			21054309	16	4	21060009	20	13
21046313	4	30	21054408	16	5	21060108	20	14
21048707	6	40	21054507	16	6	21060207	20	15
21049200	6	1	21054606	16	7	21061015	22	5
21049309	6	2	21054705	16	8	21061056	22	3
21049408	6	3	21054804	16	9	21061106	22	7
21049515	6	4	21054903	16	10	21061205	22	8
21049606	6	5	21055009	16	11	21061304	22	16
21049705	6	6	21055108	16	12	21061403	22	25
21049804	6	7	21055207	16	13	21061601	22	29
21049903	6	8	21055504	18	1	21061700	22	32
21050000	6	67	21055603	18	2	21061759	22	31
21050000	8	67	21055702	18	3	21061908	22	41
21050109	6	69	21055801	18	4	21062500	24	1
21050109	8	69	21055900	18	6	21062609	24	2
21050505	10	1	21055959	18	5	21062708	24	3
21050604	10	2						

NUMERICAL INDEX OF PARTS

PART NO	PAGE	REF NO.	PART NO	PAGE	REF NO.	PART NO	PAGE	REF NO.
21062807	24	4	21093109	6	41	B1513280000	24	6
21062906	24	5	21093208	6	42	B1617241H00	12	33
21063003	24	8	21093307	6	43	B1618241H00	12	34
21063102	24	9	21093406	6	44	B1619241H00	12	11
21063201	24	10	21093505	6	45	B1662562000	10	16
21063300	24	11	21093604	6	46	B1702012000	12	44
21063409	24	12	21093703	6	47	B1702012000	18	42
21063508	24	13	21093901	6	19	B1806038000	18	43
21063607	24	14	21094008	6	20	B2510158000	22	40
21063706	24	15	21094107	6	21	B3114761000	34	8
21063805	24	17	21094701	6	22	B3125012000	20	3
21063904	24	16	21094800	6	23	B3125012000	22	36
21064001	24	30	21094909	6	24	B3126012000	20	2
21064308	26	3	21095005	10	5	B3126012000	22	35
21064506	32	14	21095104	10	18	B3129012B00	22	33
21064605	32	15	21095153	10	17	B3201158000	22	4
21064704	34	3	21095609	12	1	B3203158000	22	6
21064803	34	4	21096359	2	1	B3204232000	22	13
21064902	34	9	21096409	2	2	B3205232000	22	14
21065008	34	20	21096508	26	1	B3206232000	22	15
21065057	34	11	21097506	10	19	B3207158000A	22	19
21065156	30	12	21097605	2	14	B3211210000	22	17
21067855	4	9	21154216	18	27	B3212210000	22	23
21067905	22	1	21161153	20	16	B3413227000	24	7
21068002	26	9	22901805	2	17	B3428521000	34	13
21068051	26	7	22904155	12	39	B3429521000	24	18
21068101	26	2	22904155	18	35	B3430521000	34	12
21068556	34	1	22932800	32	2	B3432521000	24	19
21068564	34	2	22933006	32	3	B71140120A0	30	13
21068705	30	2	22934251	34	16	B8204555D00	30	5
21068754	30	1	22934707	34	18	B8206012000	30	8
21090709	2	3	26034702	32	12	B8209012000	30	7
21091707	4	6	26234005	32	5	B8213512000	32	10
21091806	4	26	40024738	34	19	B9113012000	32	13
21092002	6	28	40024739	34	17	B91212200A0	32	6
21092101	6	29	40027078	4	27~ 29·32	B9141372000	32	17
21092200	6	30	40052262	32	8	CM300200001	2	16
21092309	6	31	40096354	28	1	CM301200002	2	18
21092408	6	33	40178619	18	10	CM500300001	26	8
21092507	6	34	A3222958000	22	18	CM600100201	32	20
21092606	6	35	A3243997C00	2	4	CQ202000000	4	10
21092705	6	36	B1131562000	20	17	CQ202000000	8	49
21092804	6	37	B1213012000	12	45	CQ202000000	14	49
21092903	6	38	B1424158000	12	36	CQ303000000	18	8
21093000	6	39				CS0790721TH	12	22

NUMERICAL INDEX OF PARTS

PART NO	PAGE	REF NO.	PART NO	PAGE	REF NO.	PART NO	PAGE	REF NO.
CS1471012SH	12	26	SM6061552TP	8	70	SS7150740SP	2	15
CS1801211SH	8	50	SM6061552TP	12	38	SS7150740SP	16	16
D2446141E00	8	57	SM6061650TP	8	61	SS7150740SP	24	20
J106600000F	32	18	SM6081802TP	6	16	SS7150740SP	26	5
J106600000G	32	19	SM6081802TP	18	25	SS7151120SP	8	64
MC532002300	6	32	SM8061212TP	8	62	SS7151120SP	22	43
MC532002304	32	1	SM9082003SC	18	37	SS7151210SP	34	21
NS6060350SP	34	10	SS1090410SL	20	24	SS7151410TP	26	6
NS6080210SP	22	11	SS1681140SP	4	20	SS7151550SP	8	54
NS6090310SP	10	24	SS1681140SP	32	11	SS7151550SP	34	14
NS6110310SP	22	24	SS2110915SP	2	12	SS7620750SP	24	28
NS6110420SP	18	30	SS2110915SP	4	22	SS7621040SP	10	25
NS6150310SP	20	20	SS4080620TP	12	20	SS7621510SP	18	31
NS6150430SP	32	16	SS5060410SP	22	9	SS7681650TP	24	26
NS6620310SP	24	29	SS6080410SP	22	28	SS8090410SP	34	6
NS6620310SP	32	9	SS6080710SP	22	39	SS8110510SP	22	12
NS6680320SP	16	17	SS6110480SP	26	4	SS8150410SP	10	23
NS6680320SP	18	38	SS6110710TP	8	59	SS8150710SP	4	21
NS6680320SP	20	18	SS6121210SP	10	26	SS8150710SP	6	52
NS6680320SP	22	37	SS6121610TP	16	14	SS8150710SP	8	52
NS6680410SP	4	19	SS6151440SP	18	41	SS8150710SP	12	42
NS6680410SP	8	66	SS6151920SP	2	13	SS8150710SP	18	34
NS6680410SP	12	47	SS6151920SP	12	43	SS8150710SP	22	30
NS6720440SP	6	68	SS6621840SP	16	15	SS8151150SP	12	41
NS6720440SP	8	68	SS6660622TP	10	15	SS8151150SP	18	28
PH0400402C0	34	5	SS7060310SP	2	8	SS8151550SP	4	16
PS0300201KP	10	22	SS7081310SP	22	10	SS8151550SP	18	32
PT0405600SH	4	18	SS7090510SP	34	15	SS8620610TP	12	21
RE0400000K0	4	24	SS7090610SP	20	22	SS8660512TP	8	60
RE0700000K0	12	37	SS7090620TP	12	23	SS8660512TP	14	48
RE0800000K0	6	48	SS7090710SP	2	11	SS8660610TP	4	25
RE0800000K0	8	48	SS7090710SP	20	23	SS8660610TP	6	14
SD0600321SP	20	19	SS7090710SP	22	42	SS8660610TP	12	40
SD0720193SP	22	21	SS7090710SP	34	7	SS8660610TP	18	36
SD0790431SP	24	22	SS7091410SP	10	20	SS8660612TP	4	17
SD0790432SP	24	33	SS7110540SP	6	25	SS8660810TP	8	51
SD1000701TP	24	23	SS7110830SP	18	26	SS8660942TP	10	21
SD1000951SP	12	46	SS7110840SP	6	26	SS9681610TP	24	25
SD1070901TP	4	31	SS7110910SP	22	38	SS9702110SP	4	23
SD1111351SP	24	24	SS7110910TP	24	27	TA0290301M0	18	7
SD1201201TP	8	65	SS7111120SP	8	63	WP0621026SP	8	71
SD1201201TP	12	31	SS7111120SP	20	21			
SK3311600SE	30	6	SS7111120SP	22	2			
SK3513200SC	30	14	SS7111810SP	22	20			
SM6061552TP	6	70	SS7112810SP	22	26			