

MODEL : PLN-985,986

List No : 0529-06

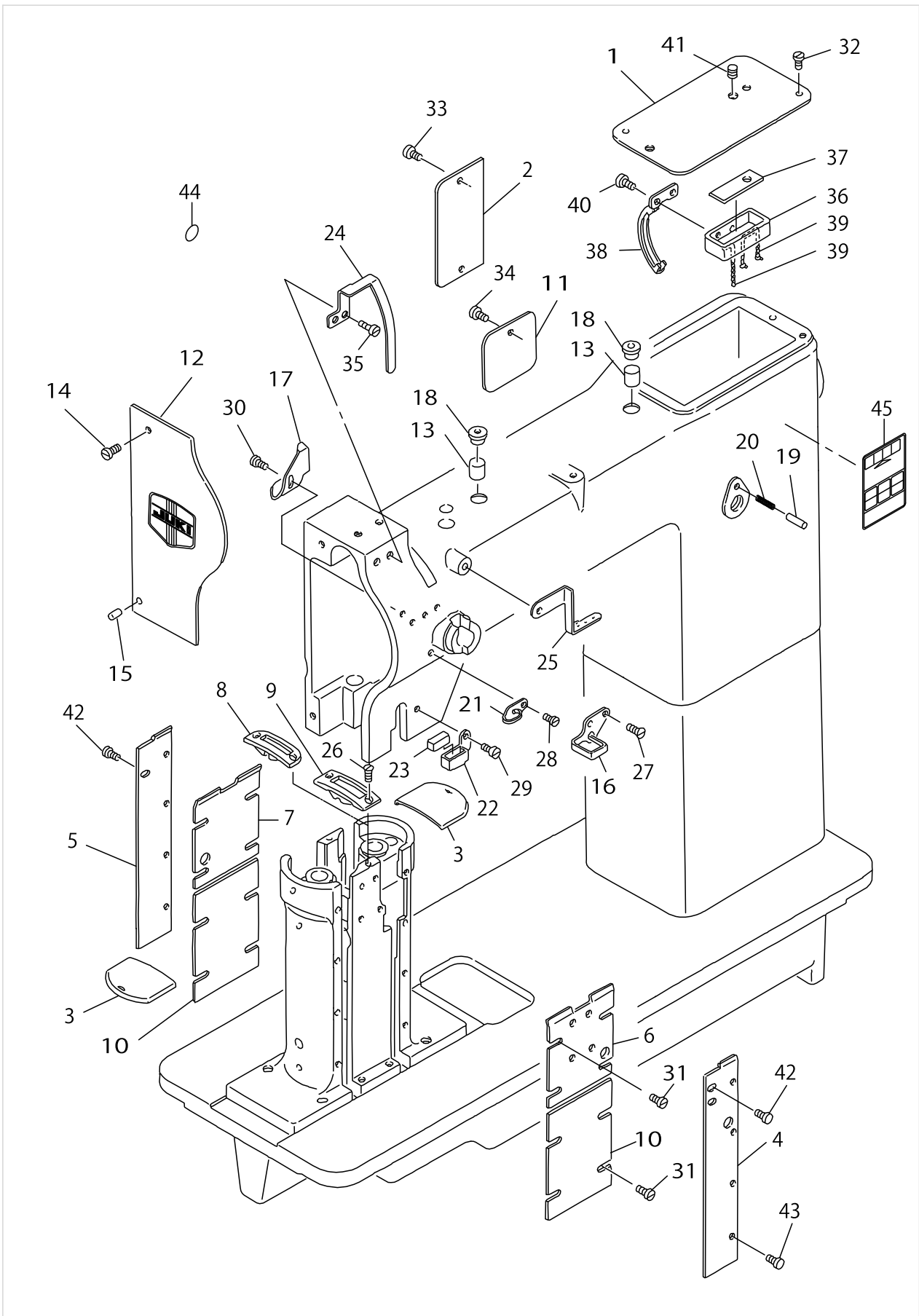
PARTS LIST

Published:09/22/2017

CONTENTS

FRAME & MISCELLANEOUS COVER COMPONENTS	1
MAIN SHAFT & THREAD TAKE-UP LEVER COMPONENTS	3
ARM SHAFT COMPONENT	5
NEEDLE BAR COMPONENTS	7
PRESSURE BAR COMPONENTS	9
FEED MECHANISM COMPONENTS (1).....	13
FEED MECHANISM COMPONENTS (2).....	17
HOOK DRIVING SHAFT & HOOK COMPONENTS	19
THREAD TENSION COMPONENTS (PLN-985).....	21
THREAD TENSION COMPONENTS (PLN-986).....	23
KNEE LIFTER & OIL PAN COMPONENTS.....	25
BELT COVER & BOBBIN WINDER COMPONENTS	27
THREAD STAND COMPONENTS (PLN-985)	29
THREAD STAND COMPONENTS (PLN-986)	31
TABLE COMPONENTS	33
ACCESSORIES PARTS COMPONENTS	35
GAUGE PARTS COMPONENTS	37
TABLE OF GAUGE FOR PLN-986	39
LIST FOR INFORMATION OF CHANGE.....	41
HOW TO MAKE USE OF THIS PARTS LIST	42

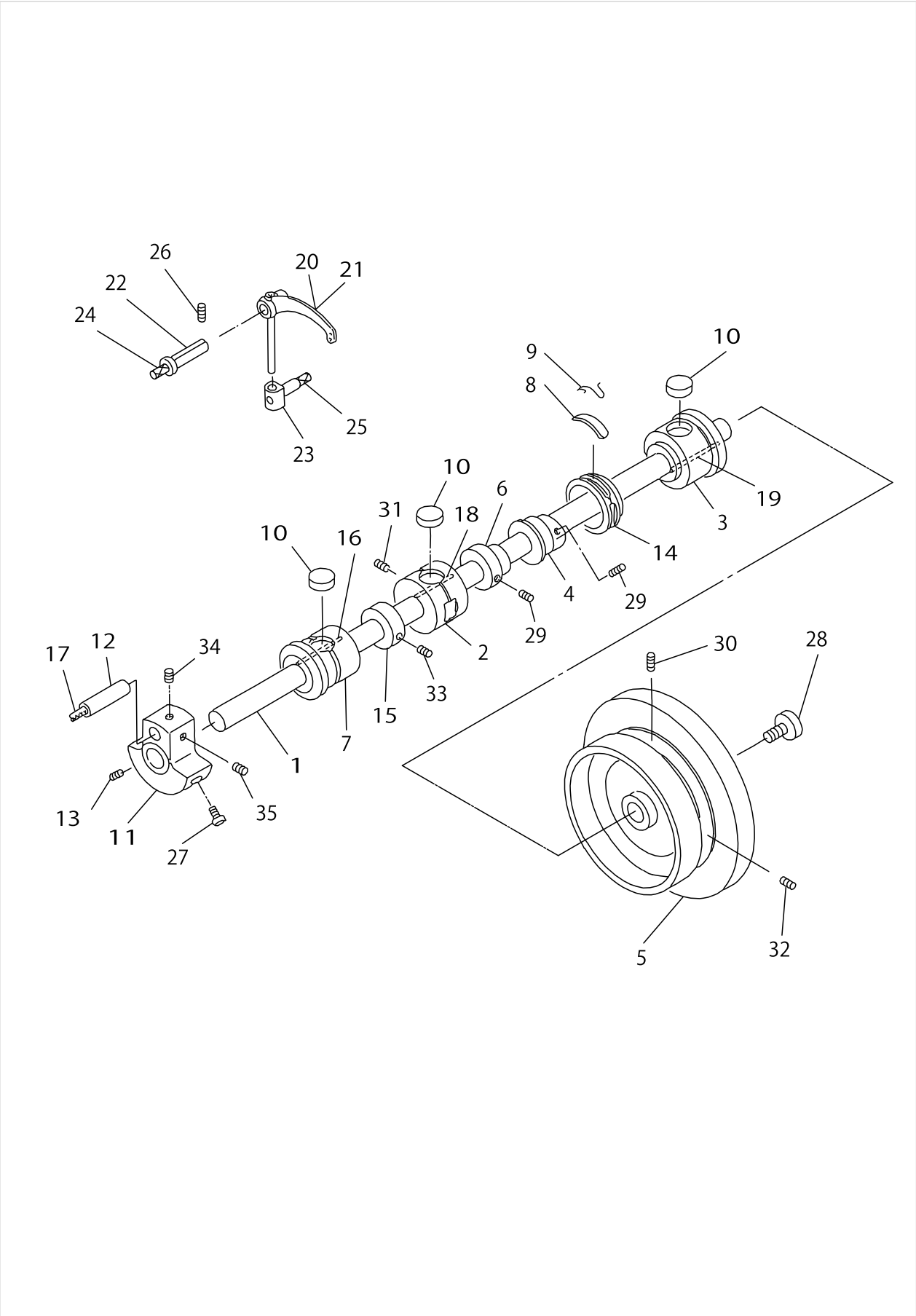
FRAME & MISCELLANEOUS COVER COMPONENTS



FRAME & MISCELLANEOUS COVER COMPONENTS

No.	Parts No.	Parts name	Remarks	Level	Cons	Qty
1	B1150241H00	TOP COVER				1
2	B1118241H00	SIDE PLATE				1
3	21001508	SLIDE PLATE				2
4	21001607	COVER A	FOR PLN-985			1
5	21001706	COVER B	FOR PLN-985			1
6	21017009	COVER A	FOR PLN-986			1
7	21017108	COVER B	FOR PLN-986			1
8	21023007	THROAT PLATE	FOR PLN-985			1
9	21032107	THROAT PLATE 1/16	FOR PLN-986			1
10	21017207	COVER C	FOR PLN-986			2
11	21024302	SIDE COVER				1
12	21025655	FACE PLATE ASM.				1
13	B3517009000	OIL FELT REAR				2
14	SS7090610SP	SCREW 9/64-40 L=6				1
15	B1103051000	FACE PLATE PIN				1
16	B1129521000	THREAD GUIDE, UPPER				1
17	B1140051000	TAKE-UP OIL SPLASHER				1
18	B1156115000	RUBBER PLUG				2
19	B1147555000	PIN				1
20	22912109	FEED REGULATOR PIN SPRING				1
21	B1130051000	FRAME THREAD GUIDE, MIDDLE				1
22	B1130528000	THREAD GUIDE, LOWER				1
23	B1131528000	FELT				1
24	B1158528000	THREAD TAKE-UP LEVER COVER				1
25	B1131512000	L-SHAPED THREAD GUIDE	FOR PLN-985			1
26	SS2090840SP	SCREW				2
27	SS2090520SL	SCREW 9/64-40 L=5				2
28	SS2090710TP	SCREW 9/64-40 L=7.2				1
29	SS2090710TP	SCREW 9/64-40 L=7.2				1
30	SS3090520SP	SCREW 9/64-40 L=4.5				1
31	SS4090610SP	SCREW 9/64-40 L=6				16
32	SS7110710SP	SCREW 11/64-40 L=7				2
33	SS7120910SP	SCREW 3/16-28 L=9				2
34	SS7090610SP	SCREW 9/64-40 L=6				1
35	SS7150740SP	SCREW 15/64-28 L=7				2
36	B8217241H00	OIL RESERVOIR				1
37	B8218241H00	OIL PAD				1
38	B3502115000	OIL WICK RETAINER				1
39	CQ202000000	OIL WICK				0.34
40	SS7080510SP	SCREW 1/8-44 L= 4.5				2
41	SS7111810SP	SCREW 11/64-40 L=18				1
42	SS7110710SP	SCREW 11/64-40 L=7	FOR PLN-985			3
43	SS4090610SP	SCREW 9/64-40 L=6	FOR PLN-985			8
44	22901805	GROUND MARK				1
45	CM301200001	SAFETY LABEL_S				1

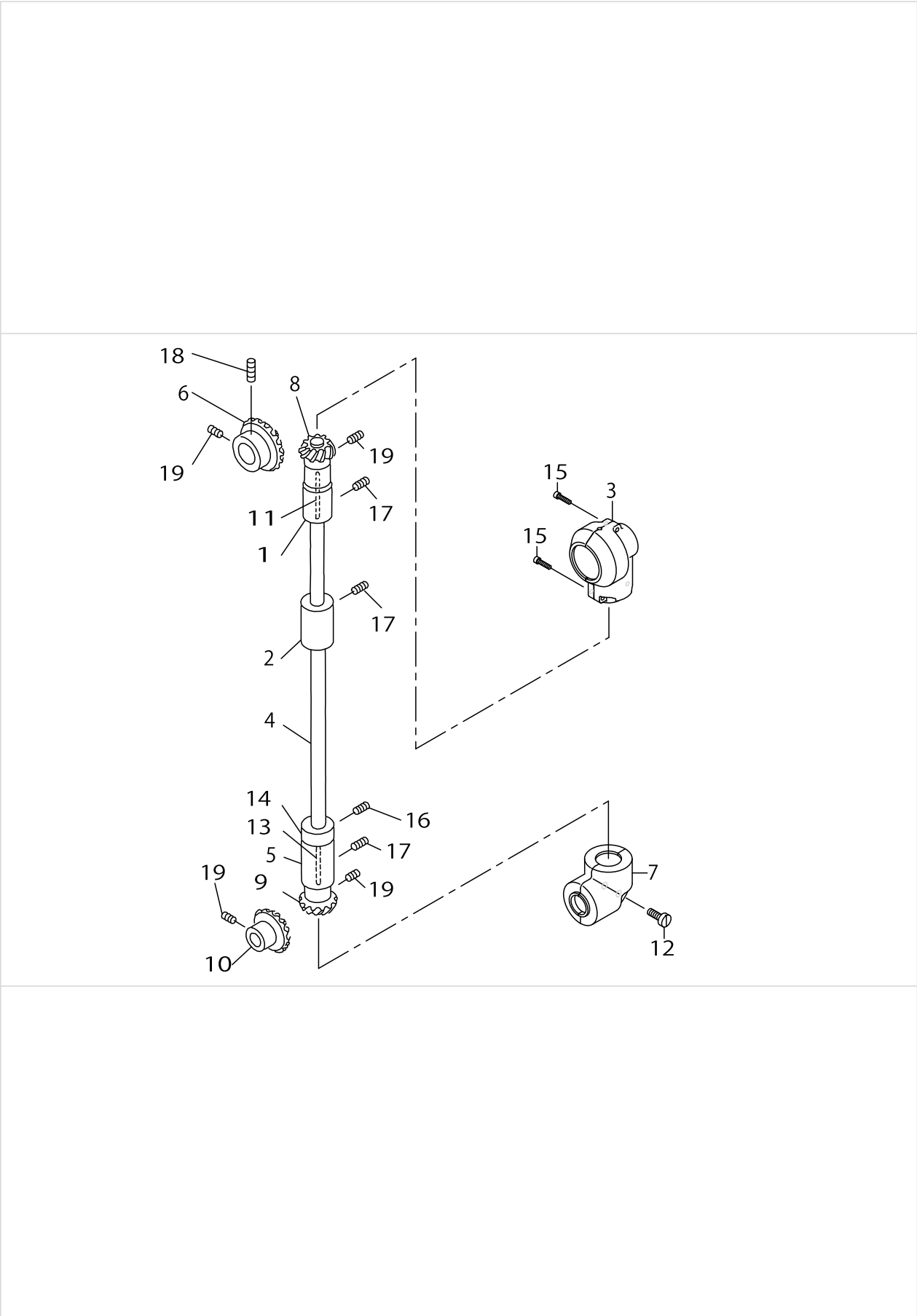
MAIN SHAFT & THREAD TAKE-UP LEVER COMPONENTS



MAIN SHAFT & THREAD TAKE-UP LEVER COMPONENTS

No.	Parts No.	Parts name	Remarks	Level	Cons	Qty
1	B1201241HA0	MAIN SHAFT ASM.				1
2	B1203241H00	BUSHING, INTERMEDIATE				1
3	B1204241H00	BUSHING, REAR				1
4	B1211141H00	FEED ECCENTRIC CAM				1
5	B1227141H0AA	HANDWHEEL				1
6	B1208141H00	FEED CAM ASM.				1
7	B1202241H00	MAIN SHAFT BUSHING, FRONT				1
8	B1212012000	OIL FELT				1
9	B1213012000	FELT RETAINER				1
10	B1203051000	OIL FELT				3
11	B1206051000	COUNTERWEIGHT				1
12	B1210051000	NEEDLE BAR CRANK PIN				1
13	SS8681650TP	SCREW 9/32-28 L=16				1
14	B1211226000	ECCENTRIC RETAINER HOUSING				1
15	CS1271012SH	THRUST COLLAR D=12.7 W=10				1
16	CQ252000000	OIL WICK				0.1
17	CQ505000000	OIL WICK				0.03
18	CQ252000000	OIL WICK				0.03
19	CQ252000000	OIL WICK				0.04
20	B1905245000	THREAD TAKE-UP LEVER	FOR PLN-985			1
21	21031000	THREAD TAKE-UP LEVER	FOR PLN-986			1
22	B1906051000	TAKE-UP LEVER PIN				1
23	B1907051000	TAKE-UP LEVER THRUST PIN				1
24	CQ252000000	OIL WICK				0.08
25	CQ252000000	OIL WICK				0.03
26	SS8150750SP	SCREW 15/64-28 L=7				1
27	SS7681750TP	SCREW 9/32-28 L=16.5				1
28	SS7701010SP	SCREW 5/16-24 L=10				1
29	SS8150710SP	SCREW 15/64-28 L=7				4
30	SS8151550SP	SCREW 15/64-28 L=15				1
31	SS8151550SP	SCREW 15/64-28 L=15				1
32	SS8151780SP	SCREW 15/64-28 L=17.0				1
33	SS8660610TP	SCREW 1/4-40 L=6				2
34	SS8680540SP	SCREW 9/32-28 L= 4.5				1
35	SS8680730SP	SCREW 9/32-28 L=7				1

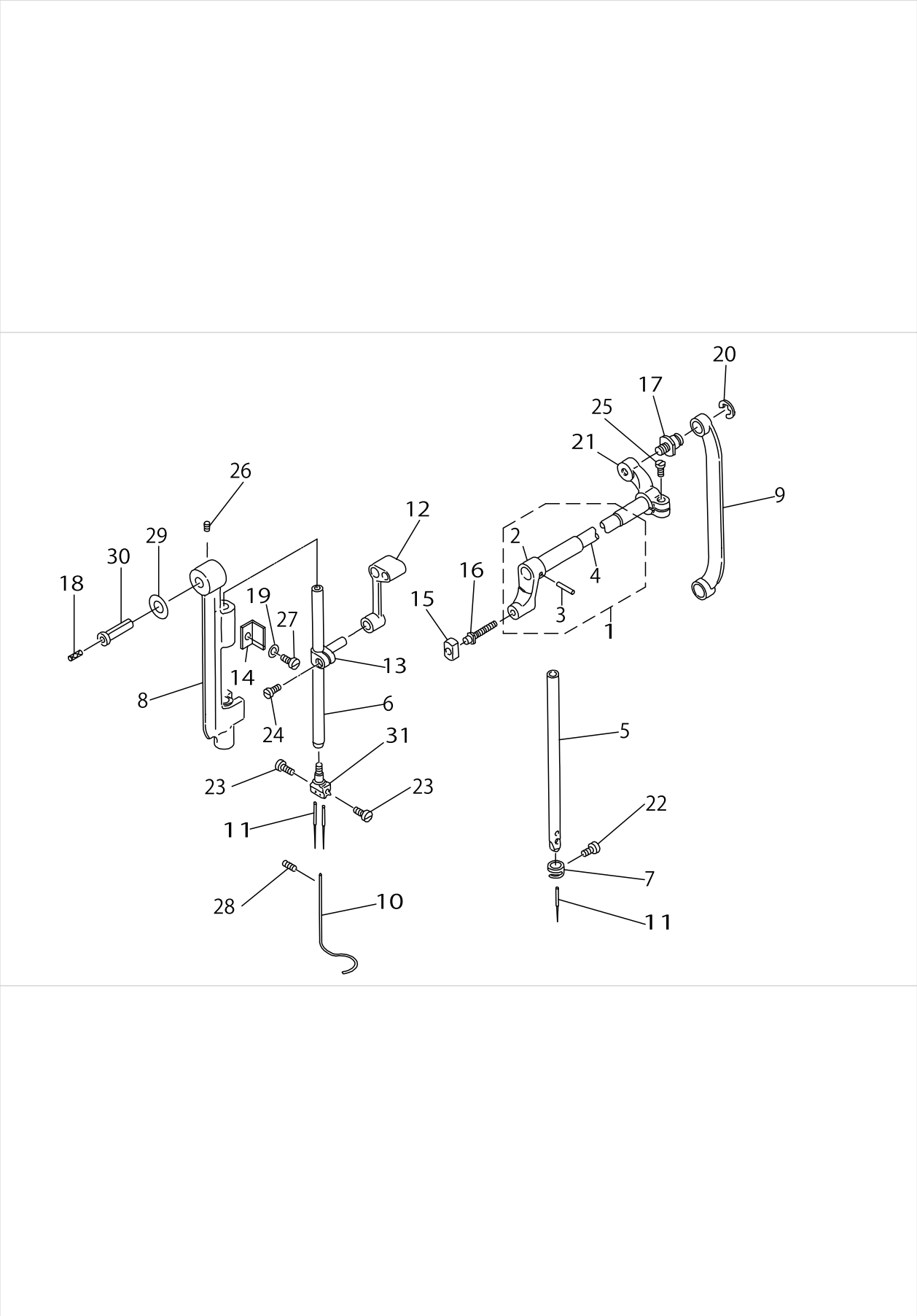
ARM SHAFT COMPONENT



ARM SHAFT COMPONENT

No.	Parts No.	Parts name	Remarks	Level	Cons	Qty
1	B1302241H00	BUSHING, UPPER				1
2	B1303271000	BUSHING, LOWER				1
3	B13052710B0	GEAR CASE ASM.				1
4	21002704	ARM SHAFT				1
5	21002803	ARM SHAFT, LOWER BUSHING				1
6	B1305012000	GEAR				1
7	B13072710A0	PINION CASE ASM.				1
8	B1306155000	PINION				1
9	B1307155000	MITRE GEAR LARGE				1
10	B1308155000	MITRE GEAR SMALL				1
11	CQ252000000	OIL WICK				0.06
12	SM6051410SC	SCREW M5X0.8 L=14				1
13	CQ252000000	OIL WICK				0.03
14	CS0791016SH	THRUST HOLDER D=7.94 W=10				1
15	SM6031202TP	SCREW M3X0.5 L=12				2
16	SS8110520TP	SCREW 11/64-40 L= 4.5				2
17	SS8151550SP	SCREW 15/64-28 L=15				3
18	SS8660610TP	SCREW 1/4-40 L=6				1
19	SS8660810TP	SCREW 1/4-40 L=8				7

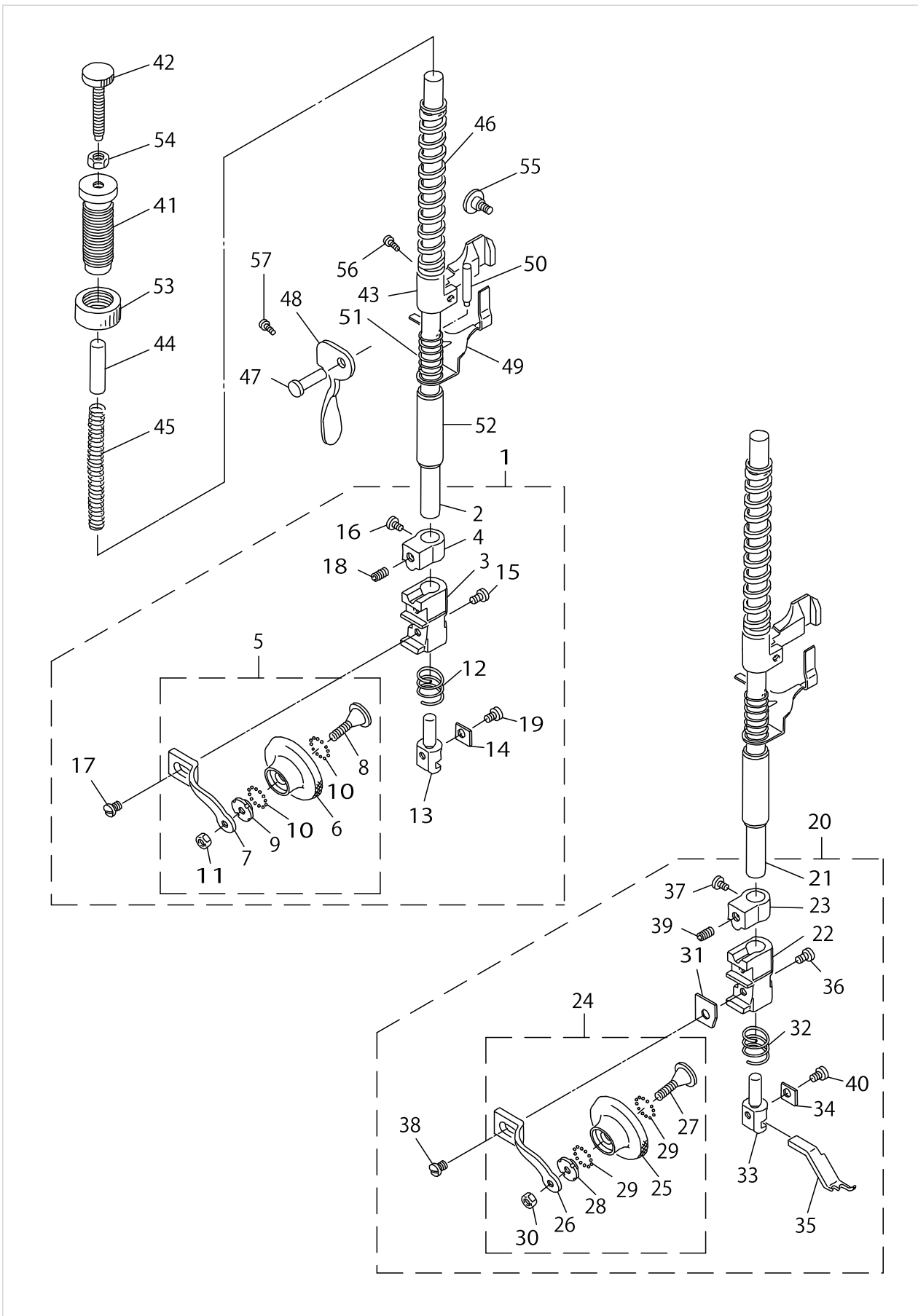
NEEDLE BAR COMPONENTS



NEEDLE BAR COMPONENTS

No.	Parts No.	Parts name	Remarks	Level	Cons	Qty
1	B1429241HB0	NEEDLE BAR FRAME LOCK SHAFT				1
2	B1428563000	ROCK SHAFT FRONT CRANK		*		1
3	PT0301600S0	TAPERED PIN 3.0X16		*		1
4	B1429241H00	NEEDLE BAR FRAME LOCK SHAFT		*		1
5	B1401246000	NEEDLE BAR	FOR PLN-985			1
6	21030903	NEEDLE BAR	FOR PLN-986			1
7	B1418141H00	NEEDLE BAR THREAD GUIDE	FOR PLN-985			1
8	40021374	NEEDLE BAR FLAME				1
9	21025804	DRIVING ROD				1
10	21003108	SAFETY COVER				1
11	MDP500B1600	NEEDLE DPX5 #16	1 PIECE USE FOR PLN-985			2
12	B1408051000	NEEDLE BAR CRANK ROD				1
13	B1411051000	NEEDLE BAR CONNECTION				1
14	B1423051000	NEEDLE BAR FRAME GUIDE				1
15	B1414232000	SQUARE BLOCK				1
16	B1417771000	NEEDLE BAR FRAME SLIDE BLOCK SHAFT				1
17	B1424158000	HINGE SCREW				1
18	CQ252000000	OIL WICK				0.08
19	WP0480856SP	WASHER 4.8X8.4X0.8				1
20	RE0700000K0	E-RING 7				1
21	B1431241H00	ROCK SHAT REAR CRANK				1
22	SS7080510SP	SCREW 1/8-44 L= 4.5	FOR PLN-985			1
23	SS6080360SP	SCREW	FOR PLN-986			2
24	SS7090910SP	SCREW 9/64-40 L= 8.5				1
25	SS7151210SP	SCREW 15/64-28 L=12				1
26	SS8151150SP	SCREW 15/64-28 L=10.5				1
27	SS9111010SP	SCREW 11/64-40 L=9.5				1
28	SS8110510SP	SCREW 11/64-40 L=5				1
29	B1208019000	WASHER				1
30	B1906051000	TAKE-UP LEVER PIN				1
31	21017405	NEEDLE STOPPER 1.6 1/16	FOR PLN-986			1

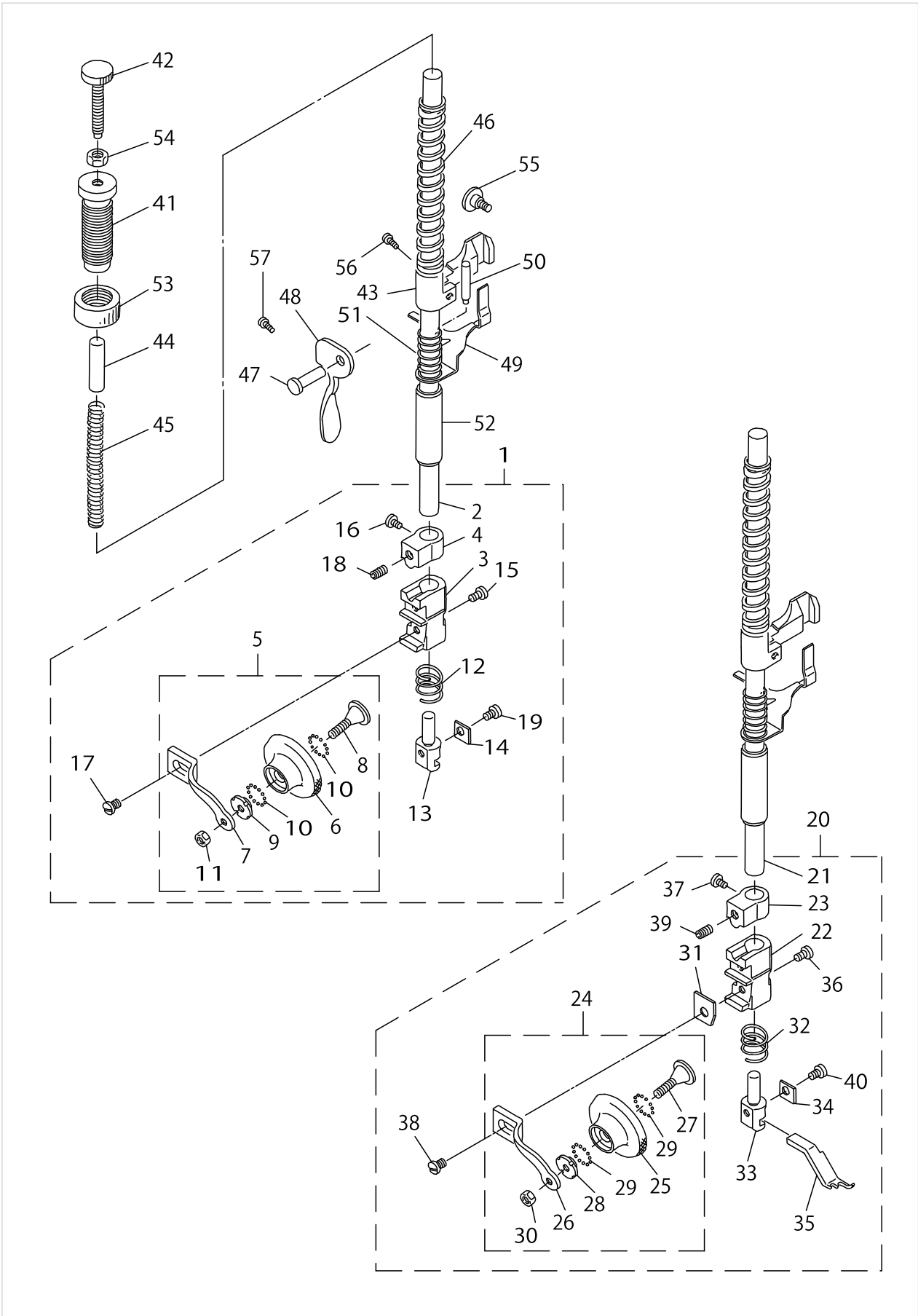
PRESSURE BAR COMPONENTS



PRESSURE BAR COMPONENTS

No.	Parts No.	Parts name	Remarks	Level	Cons	Qty
1	21025952	PRESSER BAR ASM.	FOR PLN-985			1
2	21003207	PRESSER BAR		*		1
3	21004205	PRESSER BASE		*		1
4	21004304	STOPPER		*		1
5	21005459	ROLLER PRESSER ASM.		*		1
6	21005400	ROLLER		*		1
7	21005509	ROLLER HOLDER		*		1
8	21005608	ROLLER STOPPER		*		1
9	21005707	BALL SEAT NUT		*		1
10	21005806	BEARING BALL		*		24
11	21005905	ROLLER STOPPER NUT		*		1
12	21004403	BASE SPRING		*		1
13	21020102	LOWER NEEDLE GUIDE SUPPORT		*		1
14	21020201	GUIDE SUPPORT PLATE		*		1
15	SS6080360SP	SCREW		*		2
16	21004601	SCREW		*		1
17	21004502	SCREW	FOR PLN-985	*		1
18	SS8150710SP	SCREW 15/64-28 L=7		*		1
19	21020607	SCREW		*		1
20	21030051	PRESSER BAR ASM.	FOR PLN-986			1
21	21003207	PRESSER BAR		*		1
22	21004205	PRESSER BASE		*		1
23	21004304	STOPPER		*		1
24	21005459	ROLLER PRESSER ASM.		*		1
25	21005400	ROLLER		*		1
26	21005509	ROLLER HOLDER		*		1
27	21005608	ROLLER STOPPER		*		1
28	21005707	BALL SEAT NUT		*		1
29	21005806	BEARING BALL		*		24
30	21005905	ROLLER STOPPER NUT		*		1
31	21020003	WASHER	FOR PLN-986	*		1
32	21004403	BASE SPRING		*		1
33	21020102	LOWER NEEDLE GUIDE SUPPORT		*		1
34	21020201	GUIDE SUPPORT PLATE		*		1
35	21033006	NEEDLE GUIDE 1/16	FOR PLN-986	*		1
36	SS6080360SP	SCREW		*		2
37	21004601	SCREW		*		1
38	21020706	SCREW	FOR PLN-986	*		1
39	SS8150710SP	SCREW 15/64-28 L=7		*		1
40	21020607	SCREW		*		1
41	21006408	ADJUST SCREW A				1
42	21006507	ADJUST SCREW B				1
43	21026000	PRESSER LIFTER LEVER				1
44	21006101	GUIDE SHAFT				1
45	21006002	ADJUST SPRING B				1
46	B1510141H00	PRESSER SPRING				1
47	B1513141H00	HAND LIFTER SHAFT				1

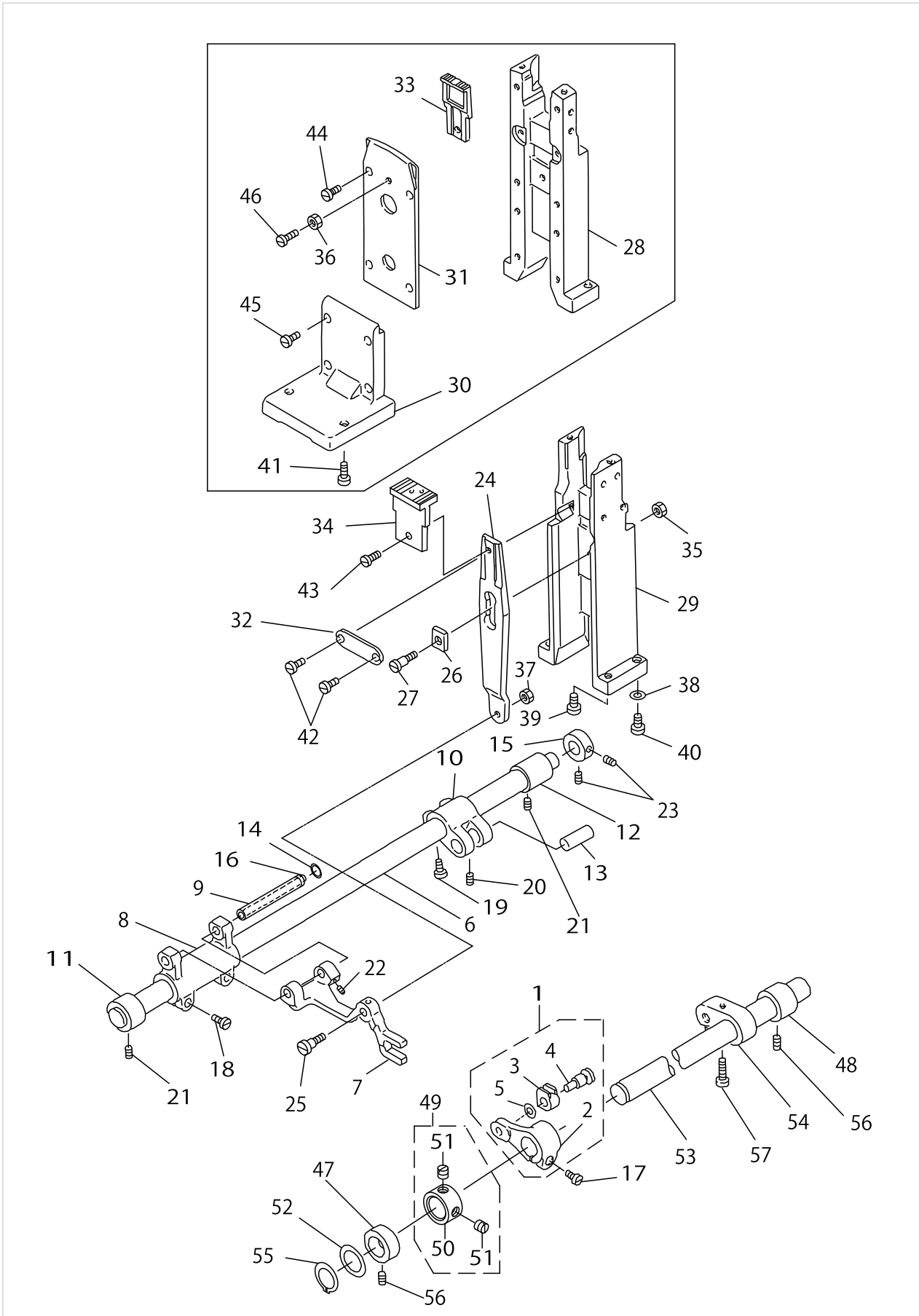
PRESSURE BAR COMPONENTS



PRESSURE BAR COMPONENTS

No.	Parts No.	Parts name	Remarks	Level	Cons	Qty
48	B1512141H00	HAND LIFTER				1
49	B146105300A	THREAD RELEASE GUIDE				1
50	B146105300B	THREAD RELEASE GUIDE PIN				1
51	B1462053000	THREAD RELEASE SPRING				1
52	B1510155000	PRESSER BAR LOWER BUSHING				1
53	22907604	PRESSER SPRING REGULATOR NUT				1
54	NS6110530SP	NUT 11/64-40				1
55	SD0800481SP	HINGE SCREW D= 8 H= 4.9				1
56	SS7111310SP	SCREW 11/64-40 L=12.8				1
57	SS8110750SP	SCREW 11/64-40 L= 6.5				1

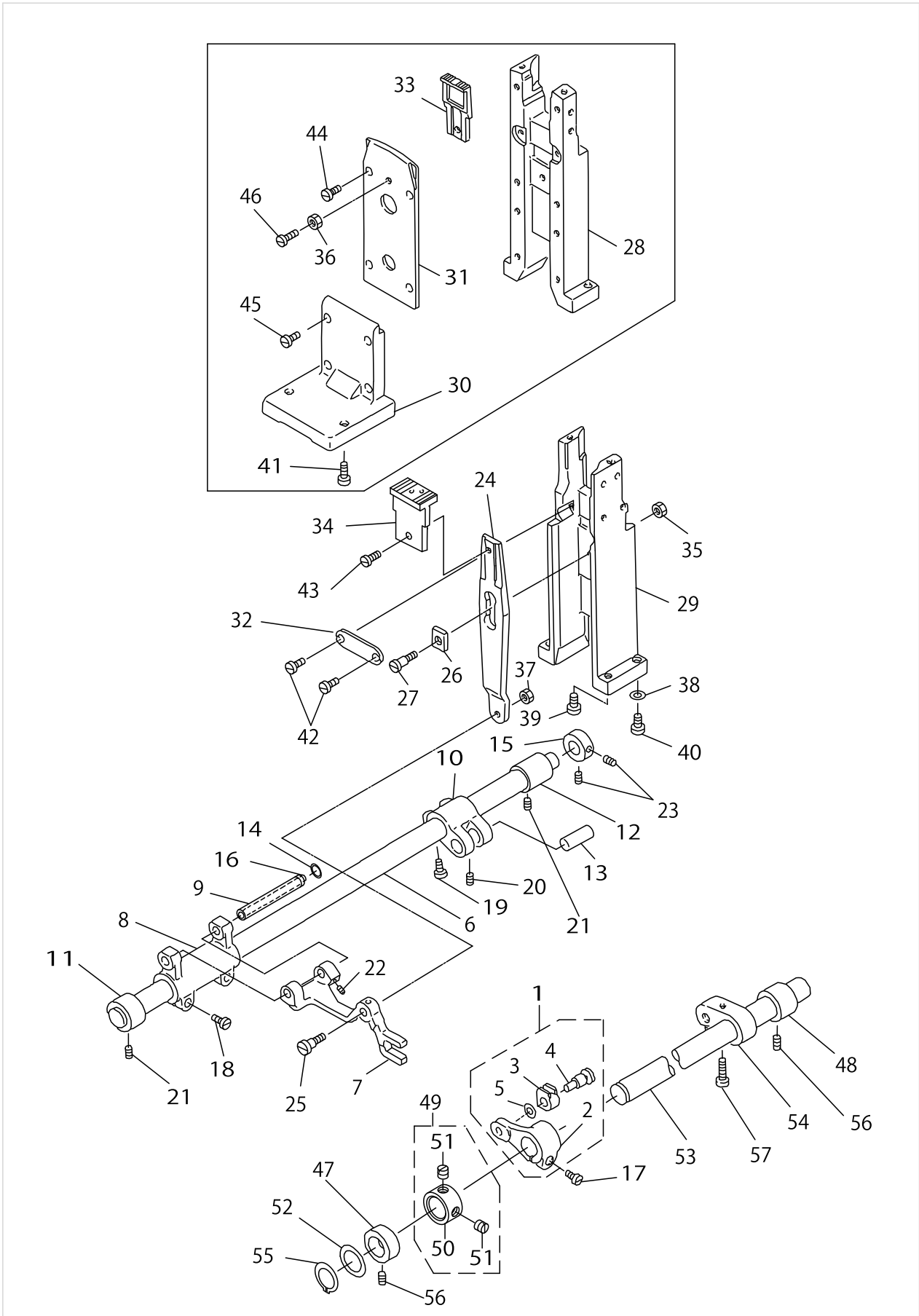
FEED MECHANISM COMPONENTS (1)



FEED MECHANISM COMPONENTS (1)

No.	Parts No.	Parts name	Remarks	Level	Cons	Qty
1	21009659	FEED ARM, FRONT ASM.				1
2	21009600	FEED ARM, FRONT		*		1
3	B1705155000	FEED DRIVING SLIDE BLOCK		*		1
4	B1706155000	FEED DRIVING SLIDE BLOCK HINGE		*		1
5	B1707155000	FEED DRIVING SLIDE BLOCK WASHER		*		1
6	21006606	FEED ROCKER SHAFT				1
7	21006705	FEED BAR				1
8	21006804	FEED BAR ARM				1
9	21008305	FEED BAR HINGE STUD				1
10	21026109	FEED ROCKER ARM				1
11	B1604141H00	BUSHING, FRONT				1
12	B1602141H00	BUSHING, REAR				1
13	B1611155000A	HINGE STUD FOR PITMAN				1
14	RE0500000K0	E-RING				1
15	CS1111019SH	THRUST COLLAR D=11.11 W=10				1
16	CQ202000000	OIL WICK				0.13
17	SS7121410TP	SCREW 3/16-28 L=14				1
18	SS6111210SP	SCREW 11/64-40 L=12				2
19	SS6121210SP	SCREW 3/16-28 L=12				2
20	SS7110720SP	SCREW 11/64-40 L=7				1
21	SS8151150SP	SCREW 15/64-28 L=10.5				2
22	SS8620610TP	SCREW 3/16-32 L=6				1
23	SS8660530TP	SCREW 1/4-40 L= 4.5				2
24	21006903	FEED LINK				1
25	SD0640851SP	STEP-SCREW				1
26	21007109	SLIDE BLOCK				1
27	SD0640372SH	HINGE SCREW				1
28	21009006	FEED LINK SUPPORT	FOR PLN-985			1
29	21020409	FEED LINK SUPPORT	FOR PLN-986			1
30	21009105	SUPPORT	FOR PLN-985			1
31	21009204	COVER	FOR PLN-985			1
32	21009303	PRESSE PLATE				1
33	21024500	FEED DOG	FOR PLN-985			1
34	21031109	FEED DOG 1/16	FOR PLN-986			1
35	NS6620310SN	NUT 3/16-32				1
36	NS6660430SP	NUT 1/4-40	FOR PLN-985			1
37	NS6110350SP	NUT 11/64-40				1
38	WS0822010KP	SPRING WASHER 8.2X15X2				2
39	SS7161640SP	SCREW 1/4-24 L=16.0	FOR PLN-986			2
40	SS7702610SP	SCREW A				2
41	SS7702610SP	SCREW A	FOR PLN-985			2
42	SS2110920TP	SCREW 11/64-40 L=8.5				2
43	SS7110510SP	SCREW 11/64-40 L=5				1
44	SS7110710SP	SCREW 11/64-40 L=7	FOR PLN-985			4
45	SS7111120SP	SCREW 11/64-40 L=10.5	FOR PLN-985			4
46	SS8660810TP	SCREW 1/4-40 L=8	FOR PLN-985			1
47	B1604141H00	BUSHING, FRONT				1

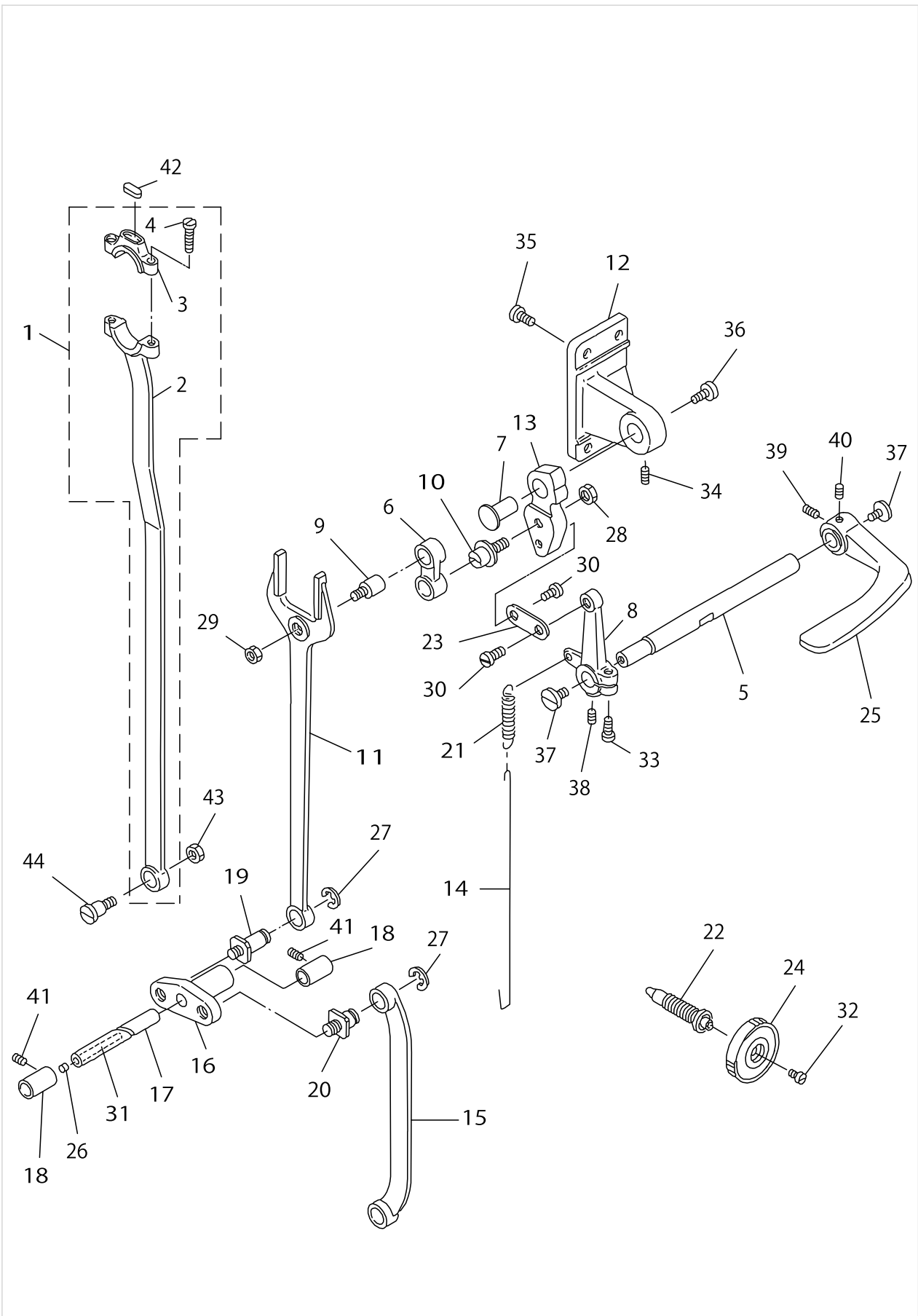
FEED MECHANISM COMPONENTS (1)



FEED MECHANISM COMPONENTS (1)

No.	Parts No.	Parts name	Remarks	Level	Cons	Qty
48	B1651141H00	BUSHING, INTERMEDIATE				1
49	22904155	MAIN SHAFT THRUST COLLAR ASM.				1
50	22904106	MAIN SHAFT THRUST COLLAR		*		1
51	SS8660610TP	SCREW 1/4-40 L=6		*		2
52	B1605201000	METAL WASHER				1
53	B1601201000A	FEED SHAFT				1
54	21009709	FEED ARM, REAR				1
55	RC0150001KP	RETAINING RING 13.8				1
56	SS8150710SP	SCREW 15/64-28 L=7				2
57	SS6151920SP	SCREW 15/64-28 L=19.0				1

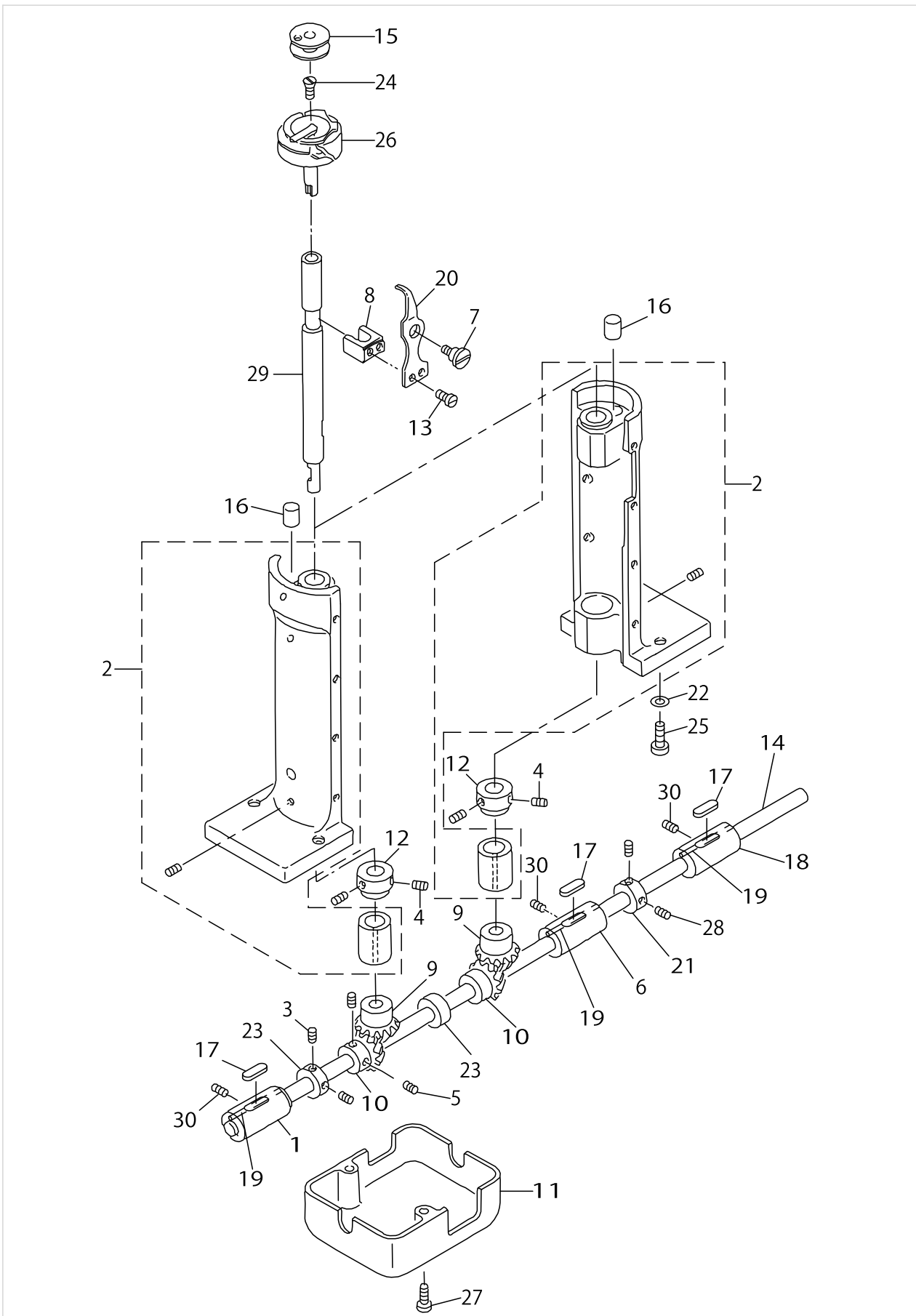
FEED MECHANISM COMPONENTS (2)



FEED MECHANISM COMPONENTS (2)

No.	Parts No.	Parts name	Remarks	Level	Cons	Qty
1	21027057	FEED ROD ASM.				1
2	21027008	FEED ROD		*		1
3	21027107	ROD COVER		*		1
4	SS6121610SP	SCREW 3/16-28 L=15.5		*		2
5	B1621241H00	REVERSEFEEDCONTROLLEVERSHAFT				1
6	B1619241H00	FEED CONNECTING LINK				1
7	B1622241H00A	HINGE PIN				1
8	B1627241H00	CONTROL LEVER CRANK				1
9	B1617241H00	HINGE SCREW, A				1
10	B1618241H00	HINGE SCREW, B				1
11	B1614241H00	PITMAN				1
12	B1650241H00	FEED REGULATOR SUPPORTING BASE				1
13	21026208	FEED REGULATOR				1
14	21026307	SPRING HOLDER				1
15	21026406	CONNECTING ROD				1
16	21026505	CHANGING ARM				1
17	21026604	CHANGING ARM SHAFT				1
18	21026703	BUSHING				2
19	21026802	HINGE SCREW A				1
20	21026901	HINGE SCREW				1
21	B1646241H00	TENSION SPRING				1
22	40138764	STITCH LENGTH REGULATING SCREW				1
23	B2115271000	NEEDLE THROW LINK				1
24	B1623555000A	FEED REGULATOR DIAL				1
25	B1624586000	REVERSE FEED CONTROL LEVER				1
26	TA0290301M0	RUBBER PLUG				1
27	RE0800000K0	E-SHAPED SNAP RING (8MM)				2
28	NS6680320SP	NUT 9/32-28				1
29	NS6680410SP	NUT 9/32-28				1
30	SD0640231SP	HINGE SCREW D= 6.35 H= 2.3				2
31	CQ252000000	OIL WICK				0.05
32	SS6121050SP	SCREW 3/16-28 L= 9.5				1
33	SS6121210SP	SCREW 3/16-28 L=12				1
34	SS6151220SP	SCREW 15/64-28 L=11.5				1
35	SS7151210SP	SCREW 15/64-28 L=12				4
36	SS7151330SP	SCREW 15/64-28 L=13.0				1
37	SS7620750SP	SCREW 3/16-32 L= 6.5				2
38	SS8151230SP	SCREW 15/64-28 L=12				1
39	SS8660810TP	SCREW 1/4-40 L=8				1
40	SS8661040TP	SCREW 1/4-40 L=10				1
41	SS8151150SP	SCREW 15/64-28 L=10.5				2
42	B1702012000	OIL FELT				1
43	NS6680410SP	NUT 9/32-28				1
44	SD1020962SP	HINGE SCREW D=10.20 H= 9.6				1

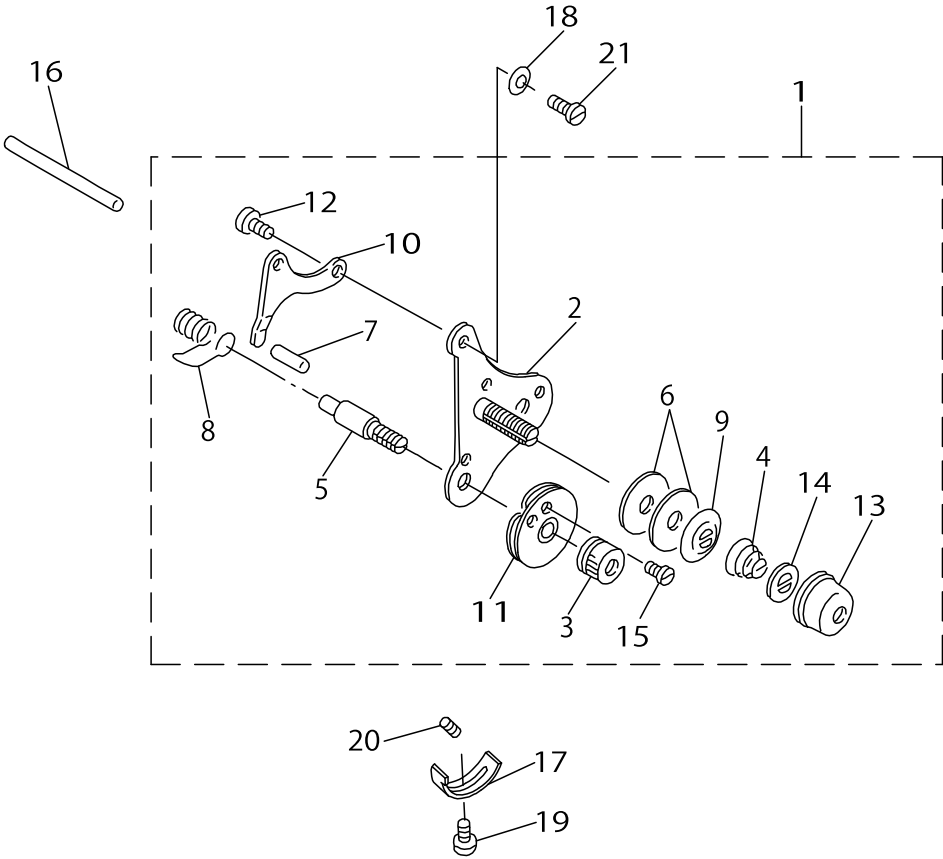
HOOK DRIVING SHAFT & HOOK COMPONENTS



HOOK DRIVING SHAFT & HOOK COMPONENTS

No.	Parts No.	Parts name	Remarks	Level	Cons	Qty
1	21009907	DRIVING SHAFT BUSHING, FRONT				1
2	40022417	HOOK SADDLE ASM.	1 PIECE USE FOR PLN-985			2
3	SS8090410SP	SCREW 9/64-40 L= 3.5				4
4	SS8660530TP	SCREW 1/4-40 L= 4.5				4
5	SS8660610TP	SCREW 1/4-40 L=6	4 PIECES USE FOR PLN-985			8
6	21010004	DRIVING SHAFT BUSHING, REAR				1
7	21010608	HINGE SCREW	1 PIECE USE FOR PLN-985			2
8	21010707	GUIDE FORK	1 PIECE USE FOR PLN-985			2
9	21010806	HOOK SHAFT GEAR	1 PIECE USE FOR PLN-985			2
10	21010905	HOOK SHAFT GEAR	1 PIECE USE FOR PLN-985			2
11	21011002	GEAR CASE				1
12	21011101	THRUST COLLAR	1 PIECE USE FOR PLN-985			2
13	21011200	SCREW	1 PIECE USE FOR PLN-985			4
14	21027206	DRIVING SHAFT				1
15	B9117051000	BOBBIN	1 PIECE USE FOR PLN-985			2
16	21011309	FELT	1 PIECE USE FOR PLN-985			2
17	B1806038000	OIL FELT				3
18	B1804201000	HOOK DRIVING SHAFT BUSHING, RE				1
19	CQ202000000	OIL WICK				0.07
20	21010509	GUIDE	1 PIECE USE FOR PLN-985			2
21	CS0791016SH	THRUST HOLDER D=7.94 W=10				1
22	WS0822010KP	SPRING WASHER 8.2X15X2	2 PIECES USE FOR PLN-985			4
23	CS0790721TH	THRUST COLLAR D=7.94 W=7	1 PIECE USE FOR PLN-985			2
24	SS1092810SP	SCREW 9/64-40 L=25.4	1 PIECE USE FOR PLN-985			2
25	SS7702610SP	SCREW A	2 PIECES USE FOR PLN-985			4
26	21010251	ROTATING HOOK ASM.	1 PIECE USE FOR PLN-985			2
27	SS7112420SP	SCREW 11/64-40 L=24				2
28	SS8110520TP	SCREW 11/64-40 L= 4.5				2
29	21010301	HOOK SHAFT	1 PIECE USE FOR PLN-985			2
30	SS8151150SP	SCREW 15/64-28 L=10.5				3

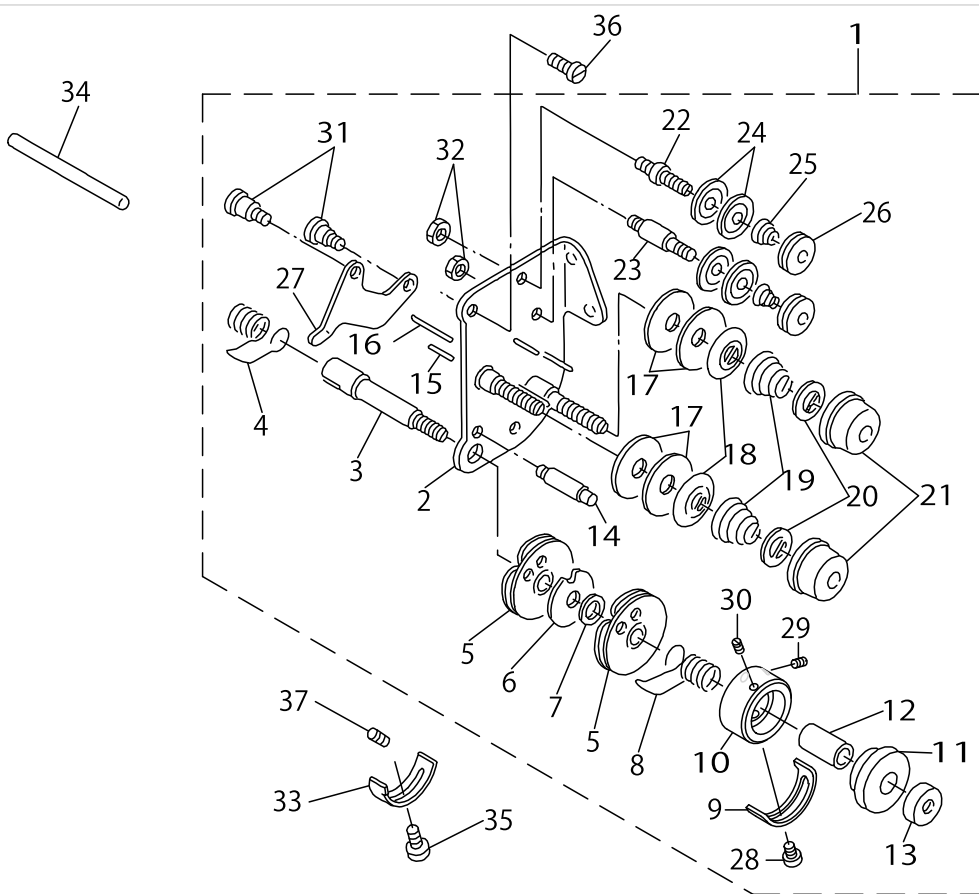
THREAD TENSION COMPONENTS (PLN-985)



THREAD TENSION COMPONENTS (PLN-985)

No.	Parts No.	Parts name	Remarks	Level	Cons	Qty
1	21011663	THREAD TENSION ASM.				1
2	21011655	THREAD TENSION BRACKET		*		1
3	B3125012000	THREAD TENSION NUT		*		1
4	B3129012A00	TENSION SPRING		*		1
5	B3123051000	TAKE-UP SPRING STUD		*		1
6	B3126051000	TENSION DISC		*		2
7	B3127051000	TENSION RELEASE PIN, SHORT		*		1
8	B3128051000	THREAD TAKE-UP SPRING, A		*		1
9	B3132051000	TENSION DISC HOLDER		*		1
10	B3134051000	TENSION RELEASE LEVER		*		1
11	B31370510A0	TAKE-UP SPRING GUIDE DISC ASM.		*		1
12	SD0470281SP	HINGE SCREW D=4.7 H=2.8		*		2
13	B3116125000	TENSION NUT		*		1
14	B3120125000	ROTATING STOPPER		*		1
15	SS4080620TP	SCREW 1/8-44 L=6		*		1
16	21027305	PRESSER BAR				1
17	B3138512000	TAKE-UP SPRING ADJUSTING PLATE				1
18	B3125155000	DISK SPRING				1
19	SS7090520SP	SCREW 9/64-40 L= 4.5				1
20	SS8111251SP	SCREW 11/64-40 L=12.0				1
21	SD0600271SP	HINGE SCREW D= 6 H= 2.7				1

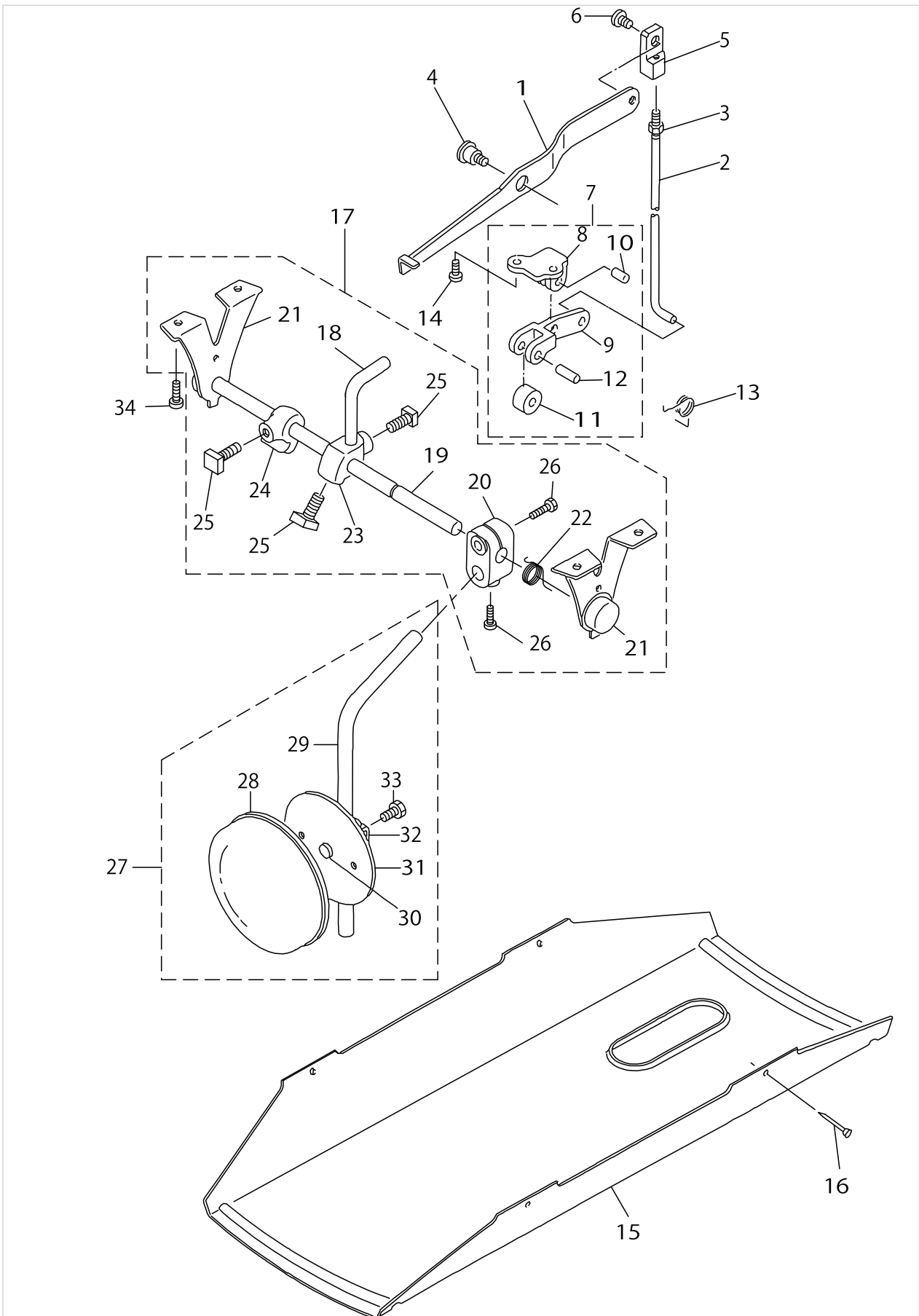
THREAD TENSION COMPONENTS (PLN-986)



THREAD TENSION COMPONENTS (PLN-986)

No.	Parts No.	Parts name	Remarks	Level	Cons	Qty
1	21020557	THREAD TENSION ASM.				1
2	10124055	TENSION POST ASM.		*		1
3	B3123527000	THREAD TAKE-UP SPRING STUD		*		1
4	B3128051000	THREAD TAKE-UP SPRING, A		*		1
5	B31375270A0	TAKE-UP SPRING GUIDE ASM.		*		2
6	B3142527000	TAKE-UP SPRING GUIDE PLATE		*		1
7	B3139527000	COLLAR		*		1
8	B3128527000	THREAD TAKE-UP SPRING B		*		1
9	B3138527000	ADJUSTING PLATE B		*		1
10	22617609	THREAD TENSION POST		*		1
11	B3125527000	TAKE-UP SPRING GUIDE		*		1
12	B3141527000	PRESSER COLLAR		*		1
13	B3125012000	THREAD TENSION NUT		*		1
14	B3143527000	TAKE-UP SPRING GUIDE STUD		*		1
15	B3127051000	TENSION RELEASE PIN, SHORT		*		1
16	B3127527000	PIN B		*		1
17	B3126051000	TENSION DISC		*		4
18	B3132051000	TENSION DISC HOLDER		*		2
19	B3129012A00	TENSION SPRING		*		2
20	B3120125000	ROTATING STOPPER		*		2
21	B3116125000	TENSION NUT		*		2
22	10124204	THREAD TENSION POST, A		*		1
23	10124303	THREAD TENSION POST, B		*		1
24	B3214047000	BOBBIN WINDER TENSION DISC		*		4
25	D3168555H0B	TENSION SPRING NO.1		*		2
26	B3216047000	BOBBIN WINDER TENSION NUT		*		2
27	B3134521000	TENSION RELEASE LEVER		*		1
28	SS7090520SP	SCREW 9/64-40 L= 4.5		*		1
29	22618904	SET SCREW		*		1
30	22618904	SET SCREW		*		1
31	SD0470281SP	HINGE SCREW D=4.7 H=2.8		*		2
32	NS6110310SP	NUT 11/64-40		*		2
33	B3138512000	TAKE-UP SPRING ADJUSTING PLATE				1
34	21027305	PRESSER BAR				1
35	SS7090520SP	SCREW 9/64-40 L= 4.5				1
36	SS7110720SP	SCREW 11/64-40 L=7				1
37	SS8111251SP	SCREW 11/64-40 L=12.0				1

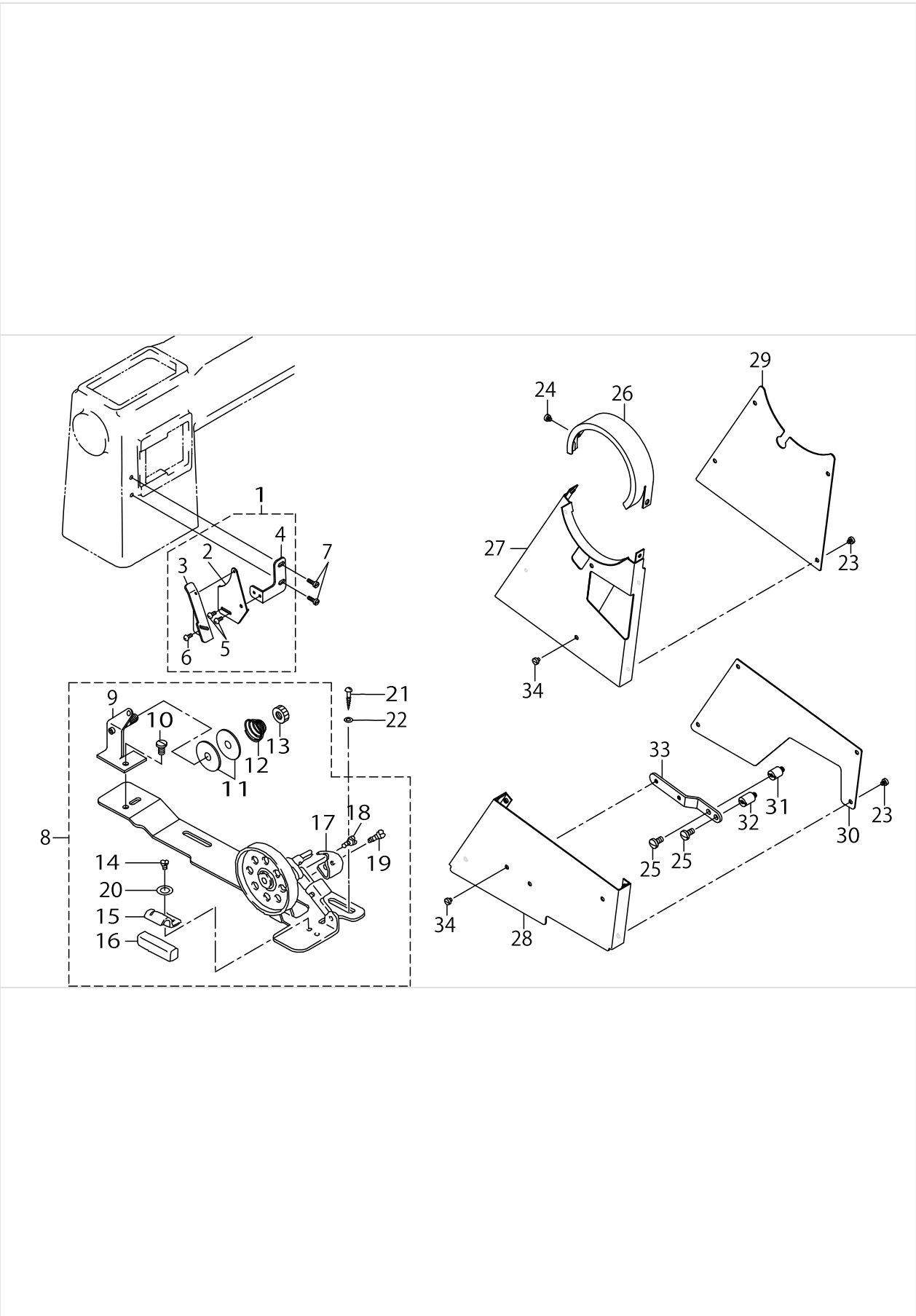
KNEE LIFTER & OIL PAN COMPONENTS



KNEE LIFTER & OIL PAN COMPONENTS

No.	Parts No.	Parts name	Remarks	Level	Cons	Qty
1	B3410241H00A	PRESSER BAR LIFTING LEVER				1
2	21027404	LIFTING BAR				1
3	NS6620310SP	NUT 3/16-32				1
4	SD1127321SP	HINGE SCREW D=12.70 H= 3.2				1
5	21027503	BAR CONNECTION				1
6	SD0790601SP	HINGE SCREW D=7.94 H=6				1
7	B3402141HA0	BELL CRANK BRACKET ASM.				1
8	B3401141H00	BELL CRANK BRACKET		*		1
9	B3402141H00	BELL CRANK		*		1
10	B3403141H00	PIN		*		1
11	B3404141H00	ROLLER		*		1
12	B3405141H00	PIN		*		1
13	B3406141H00	SPRING				1
14	SS7120910SP	SCREW 3/16-28 L=9				2
15	21027602	OIL PAN				1
16	10539906	SET NAIL				4
17	B3420141HAA	KNEE LIFTER ASM.				1
18	B3426141H00A	KNEE LIFTING BENT ARM		*		1
19	B3420141H0A	MAIN SHAFT		*		1
20	B3433141H0A	BRACKET		*		1
21	40032132	SUPPORT		*		2
22	40130335	KNEE TOP ROTARY SPRING		*		1
23	B3424141H00	MOUNTING BRACKET		*		1
24	B3434141H00	BRACKET		*		1
25	B3425141H00	MOUNTING BRACKET SET SCREW		*		3
26	SS9182010SN	SCREW 9/32-20 L=20		*		2
27	22934251	KNEE PAD PLATE ASM.				1
28	22934509	KNEE PAD PLATE COVER		*		1
29	22934608	KNEE PAD UPRIGHT SHAFT		*		1
30	22934400	KNEE PAD PLATE RUBBER		*		1
31	22934202	KNEE PAD PLATE		*		1
32	22934301	KNEE PAD PLATE SUPPORT		*		1
33	SM9061203SE	SCREW M6 L=12		*		1
34	SK3483201SE	WOOD SCREW D=4.8 L=32				4

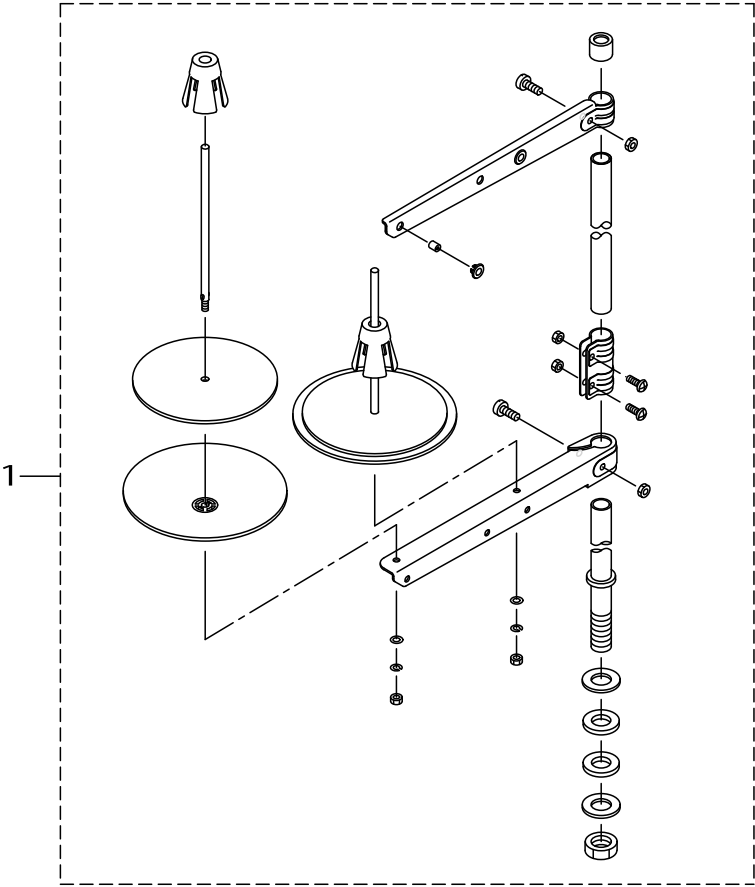
BELT COVER & BOBBIN WINDER COMPONENTS



BELT COVER & BOBBIN WINDER COMPONENTS

No.	Parts No.	Parts name	Remarks	Level	Cons	Qty
1	B8230241HA0A	BELT COVER ASM.				1
2	B8230241H0A	BELT COVER A		*		1
3	B8230241H0B	BELT COVER B		*		1
4	B8230241H0C	BELT COVER BRACKET		*		1
5	SS7090610SP	SCREW 9/64-40 L=6		*		2
6	SS7090510SP	SCREW 9/64-40 L= 4.6		*		1
7	SS6121220TP	SCREW 3/16-28 L=11.5				2
8	11077567	BOBBIN WINDER COMPL.				1
9	11078250	THREAD TENSION BRACKET ASM.		*		1
10	SS7110840SP	SCREW 11/64-40 L=7.8		*		2
11	B3126012000	THREAD TENSION DISK		*		1
12	B3129012B00	THREAD TENSION SPRING		*		1
13	B3125012000	THREAD TENSION NUT		*		1
14	SS4110515SP	SCREW 11/64-40 L=5		*		1
15	11078102	PRESSER PLATE		*		1
16	B3211555000	RUBBER BRAKE		*		1
17	11078003	POSITIONING FINGER		*		1
18	SD0490261SP	HINGE SCREW D=4.9 H=2.6		*		1
19	SS7081310SP	SCREW 1/8-44 L=12.5		*		1
20	WP0480856SP	WASHER 4.8X8.4X0.8		*		1
21	SK3482500SC	WOOD SCREW D=4.8 L=25				2
22	WP0501016SC	WASHER 5X10.5X1				2
23	SS6110480SP	SCREW 11/64-40 L=4.3	FOR PLN-985			8
24	SS6110480SP	SCREW 11/64-40 L=4.3	FOR PLN-985			2
25	SS7151210SP	SCREW 15/64-28 L=12	FOR PLN-985			2
26	21027966	TOP COVER ASM.	FOR PLN-985			1
27	21003561	BELT COVER UNIT (UPPER) ASM.	FOR PLN-985			1
28	21003660	BELT COVER UNIT (LOWER) ASM.	FOR PLN-985			1
29	21004809	BELT COVER LID (UPPER)	FOR PLN-985			1
30	21004908	BELT COVER LID (LOWER)	FOR PLN-985			1
31	21028006	BELT COVER STUD C	FOR PLN-985			1
32	21028105	BELT COVER STUD D	FOR PLN-985			1
33	21028204	BELT COVER SUPPORT PLATE	FOR PLN-985			1
34	SS6110480SP	SCREW 11/64-40 L=4.3	FOR PLN-985			5

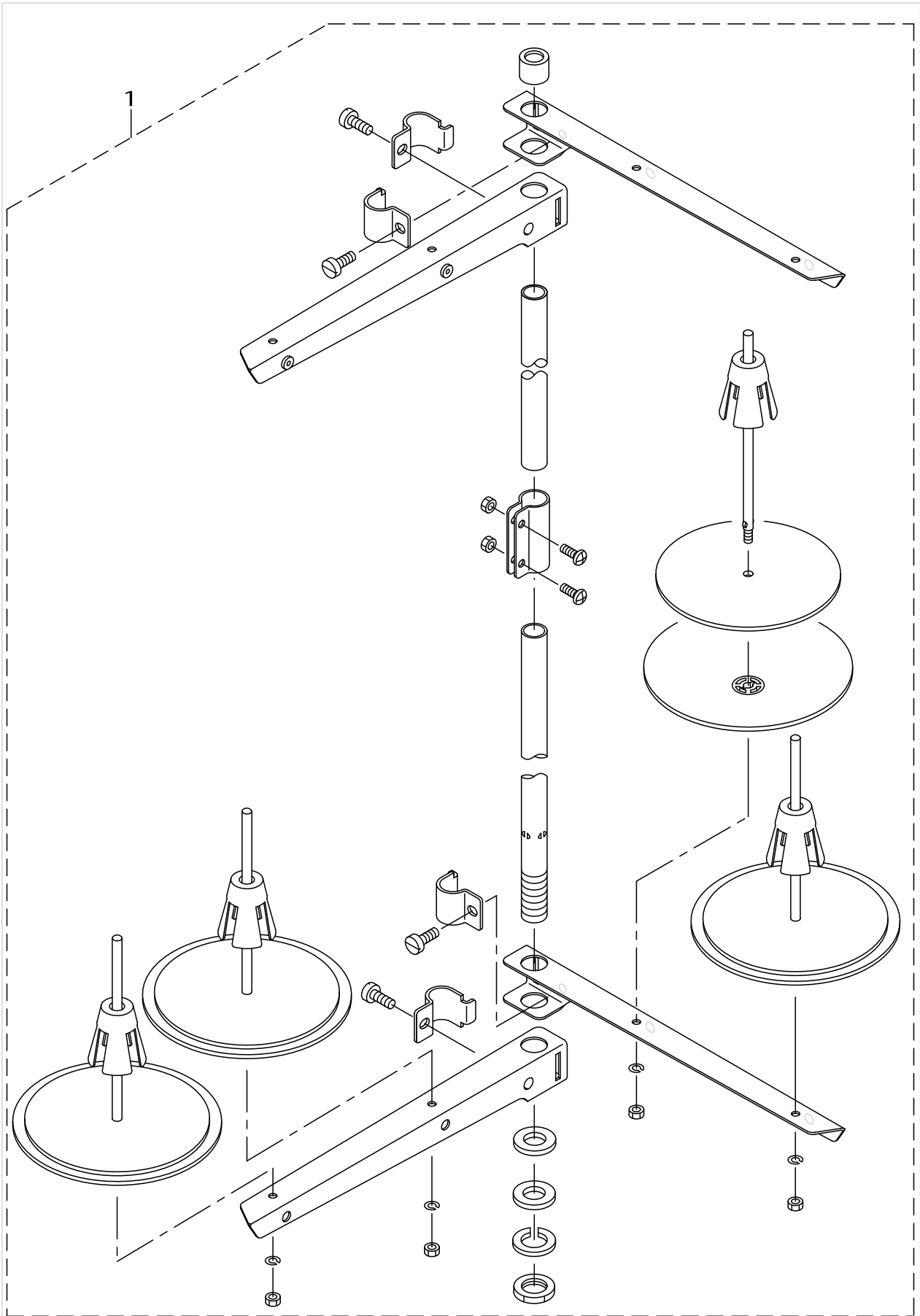
THREAD STAND COMPONENTS (PLN-985)



THREAD STAND COMPONENTS (PLN-985)

No.	Parts No.	Parts name	Remarks	Level	Cons	Qty
1	40096354	THREAD STAND ASM.				1

THREAD STAND COMPONENTS (PLN-986)



THREAD STAND COMPONENTS (PLN-986)

No.	Parts No.	Parts name	Remarks	Level	Cons	Qty
1	26910158	THREAD STANDING DEVICE ASM.				1

TABLE COMPONENTS

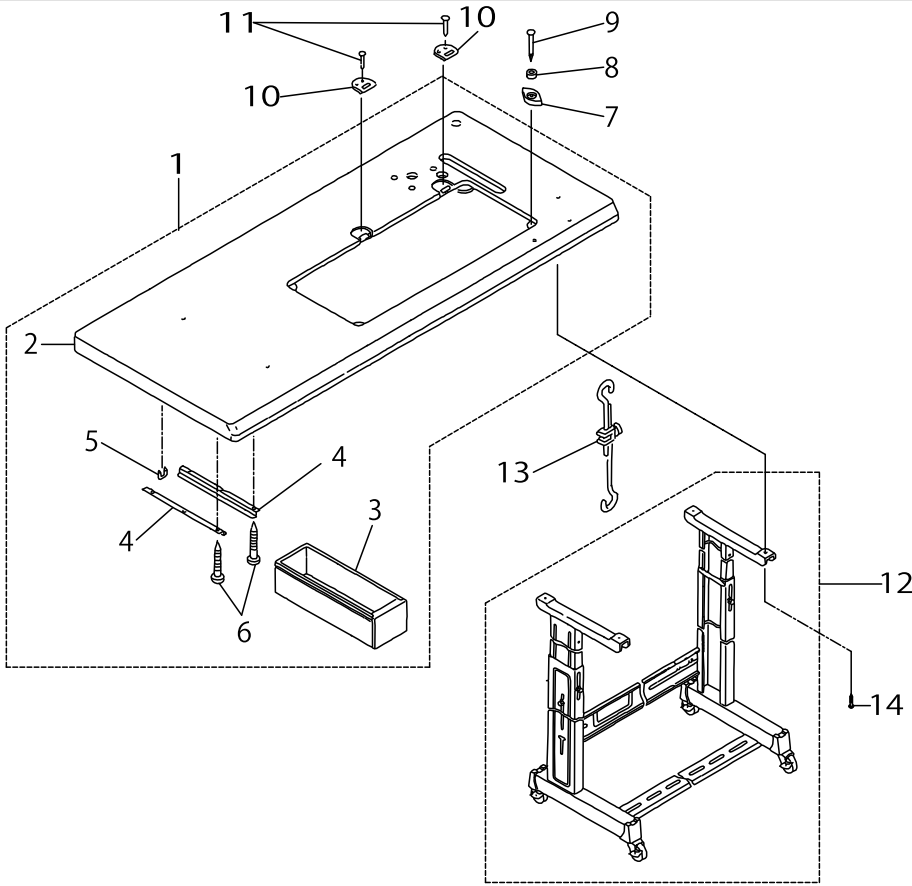
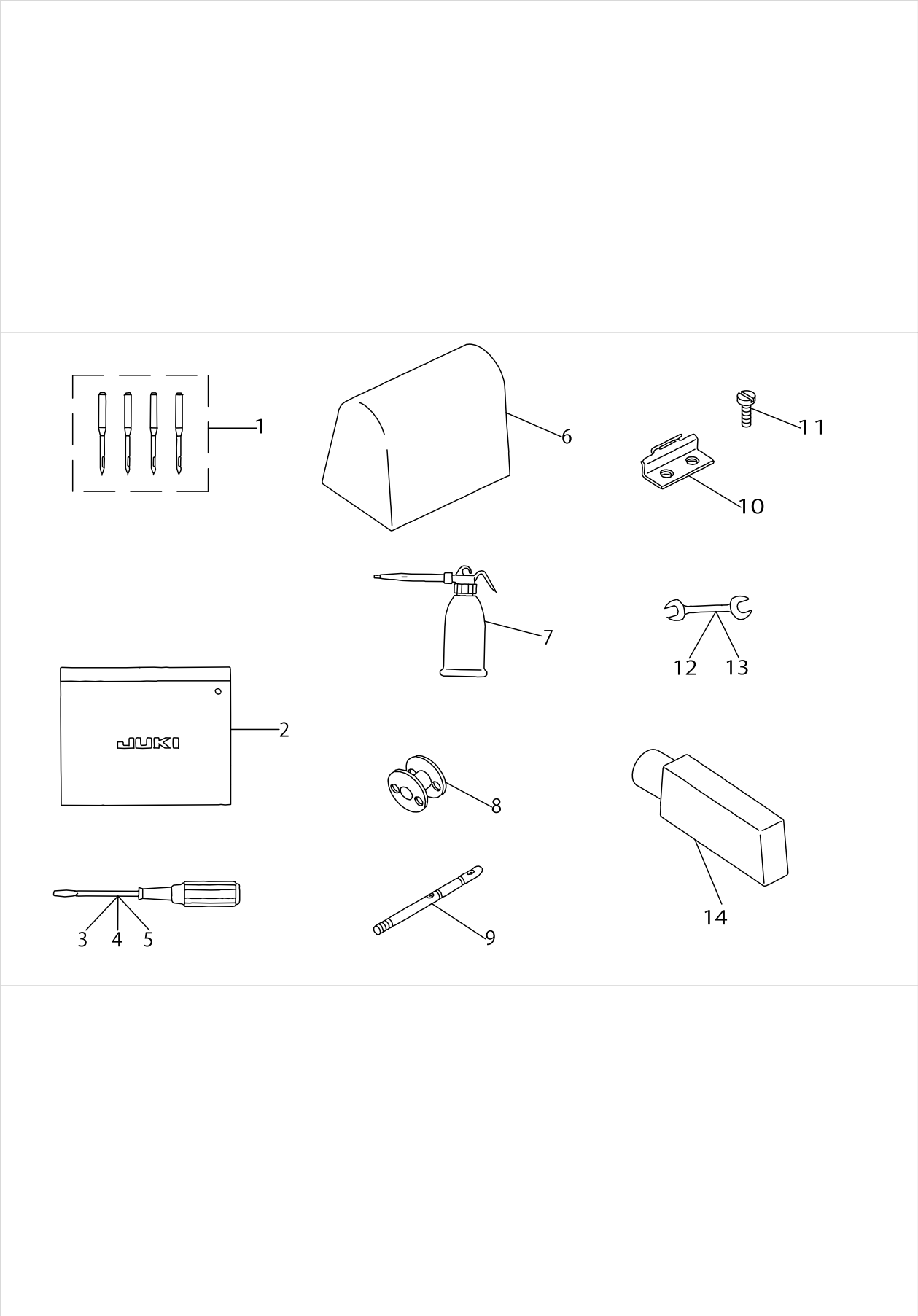


TABLE COMPONENTS

No.	Parts No.	Parts name	Remarks	Level	Cons	Qty
1	21025358	TABLE ASM.				1
2	21025309	TABLE		*		1
3	11849502	DRAWER		*		1
4	B8204012000	DRAWER SUPPORT		*		2
5	D8204555D00	DRAWER STOPPER		*		1
6	SK3311600SE	WOOD SCREW D=3.1 L=16		*		6
7	B8209012000	RUBBER CUSHION				4
8	B8206012000	FELT CUSHION				4
9	10539906	SET NAIL				4
10	B8212051000	BED HINGE				2
11	SK1552500SC	WOOD SCREW D=5.5 L=25				4
12	17011263	T LEG JUNCTION				1
13	B71140120A0	MOTOR CONNECTING ROD ASM.				1
14	SK3513200SC	WOOD SCREW D=5.1 L=32				4

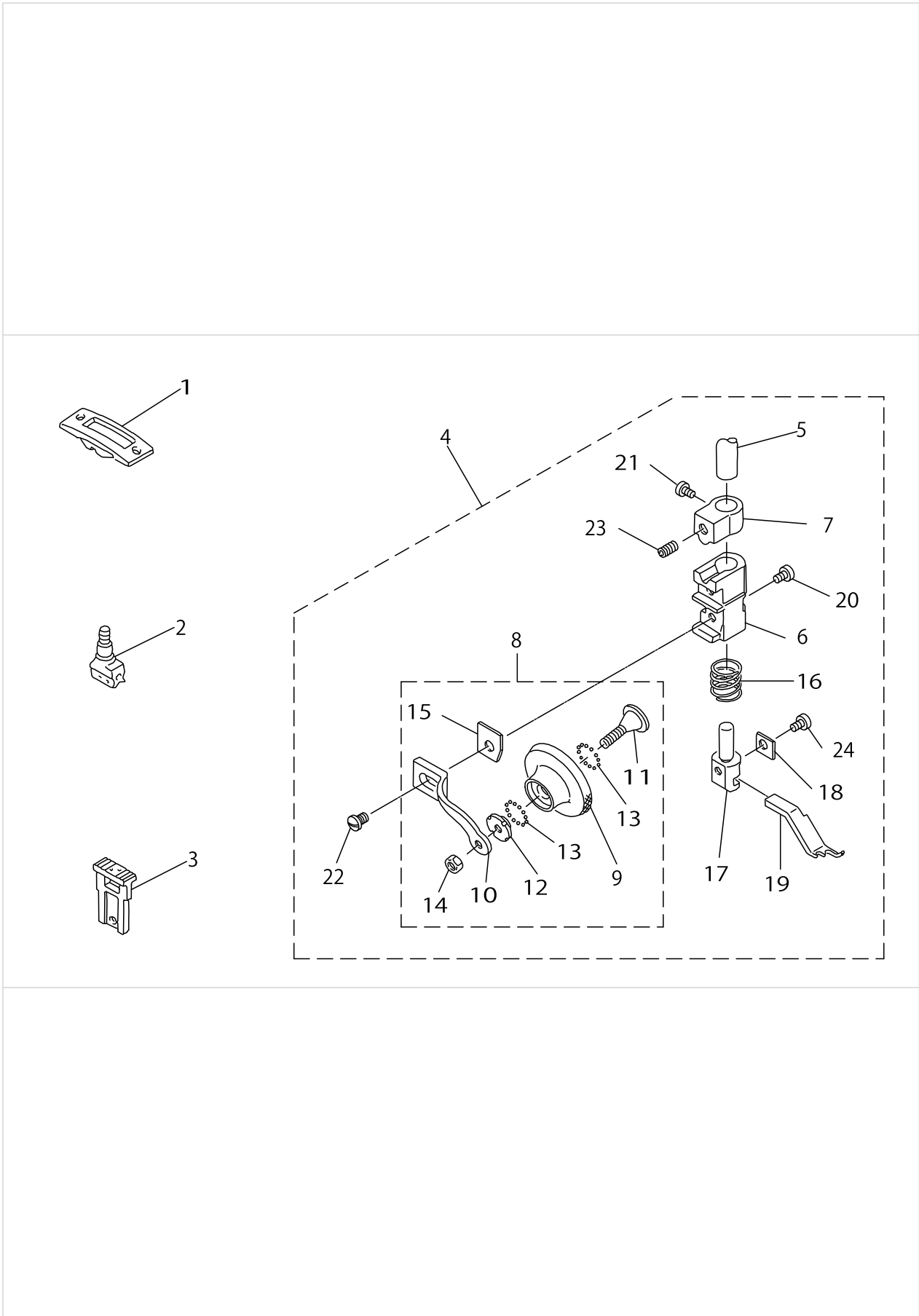
ACCESSORIES PARTS COMPONENTS



ACCESSORIES PARTS COMPONENTS

No.	Parts No.	Parts name	Remarks	Level	Cons	Qty
1	MDP500B1602	NEEDLE DPX5#16-2	2 PIECES USE FOR CN,UR/MG,DK			1
2	22932800	ACCESSORIE BAG				1
3	22933006	SCREW DRIVER,LARGE				1
4	22933105	SCREW DRIVER,MIDDLE				1
5	22933204	SCREW DRIVER,SMALL				1
6	40048536	HEAD_COVER				1
7	B9121141HA0	OILER ASM.				1
8	B9117051000	BOBBIN	3 PIECES USE FOR PLN-985			4
9	B1114051000	NEEDLE THREAD GUIDE PIN				1
10	B8213051000	BED HINGE CONNECTION				2
11	SS1680910SP	SCREW				4
12	B9112012000	WRENCH (11X14)				1
13	B9113012000	WRENCH (9X10)				1
14	10528800	FRAME SUPPORT BAR				1

GAUGE PARTS COMPONENTS



GAUGE PARTS COMPONENTS

No.	Parts No.	Parts name	Remarks	Level	Cons	Qty
1	21032206	NEEDLE PLATE 3/32	OPTION FOR PLN-986			1
2	21017504	NEEDLE CLAMP 2.4 3/32	OPTION FOR PLN-986			1
3	21031208	FEEDER 3/32	OPTION FOR PLN-986			1
4	21030069	PRESSER BAR ASM. 3/32	OPTION FOR PLN-986			1
5	21003207	PRESSER BAR		*		1
6	21004205	PRESSER BASE		*		1
7	21004304	STOPPER		*		1
8	21005459	ROLLER PRESSER ASM.		*		1
9	21005400	ROLLER		*		1
10	21005509	ROLLER HOLDER		*		1
11	21005608	ROLLER STOPPER		*		1
12	21005707	BALL SEAT NUT		*		1
13	21005806	BEARING BALL		*		24
14	21005905	ROLLER STOPPER NUT		*		1
15	21020003	WASHER		*		1
16	21004403	BASE SPRING		*		1
17	21020102	LOWER NEEDLE GUIDE SUPPORT		*		1
18	21020201	GUIDE SUPPORT PLATE		*		1
19	21033105	NEEDLE GUIDE 3/32		*		1
20	SS6080360SP	SCREW		*		2
21	21004601	SCREW		*		1
22	21020706	SCREW		*		1
23	SS8150710SP	SCREW 15/64-28 L=7		*		1
24	21020607	SCREW		*		1

TABLE OF GAUGE FOR PLN-986

品名		1		2		3		4		5		
		Gauge set		Throat plate		Needle clamp		Feed dog		Needle guide		
Needle gauge size 針幅		ゲージセット		針板		針留		送り歯		針案内		
ゲージ記号	inch		Ref. No.	Part.No.	Ref. No.	Part.No.	Ref. No.	Part.No.	Ref. No.	Part.No.	Ref. No.	Part.No.
		1/16	1.6	1	21032156	3	21032107	5	21017405	7	21031109	9
	3/32	2.4	2	21032255	4	21032206	6	21017504	8	21031208	10	21033105

TABLE OF GAUGE FOR PLN-986

No.	Parts No.	Parts name	Remarks	Level	Cons	Qty
1	21032156	GAUGE SET 1.6MM				1
2	21032255	GAUGE SET 2.4MM				1
3	21032107	THROAT PLATE 1/16				1
4	21032206	NEEDLE PLATE 3/32				1
5	21017405	NEEDLE STOPPER 1.6 1/16				1
6	21017504	NEEDLE CLAMP 2.4 3/32				1
7	21031109	FEED DOG 1/16				1
8	21031208	FEEDER 3/32				1
9	21033006	NEEDLE GUIDE 1/16				1
10	21033105	NEEDLE GUIDE 3/32				1

LIST FOR INFORMATION OF CHANGE

As to the place changed, refer to the corresponding Rev.No.
 When previous parts(Obsoleted part)and new parts(Added parts)are
 not interchangeable with each other:
 In this case,even obsoleted parts(D.)can be ordered with the
 obsoleted part number,so select the parts with changed dates and
 place your orders.

変更箇所は、該当Rev.No.版をご参照ください。
 部品の互換性がない変更の場合は、削除された品番でも、ご注文できます。

19592302
 No.0529-06 Rev.No.

*A:Added parts追加部品/D:Obsoleted parts削除部品/E:Erratum訂正

* Rev. No.	Page 頁	Ref. No.	Parts No. 品番	* Rev. No.	Page 頁	Ref. No.	Parts No. 品番
D 05	2	28	SS-2090710-SP	A 06	2	28	SS-2090710-TP
D 05	2	29	SS-2090710-SP	A 06	2	29	SS-2090710-TP
				A 06	2	45	CM-3012000-01
D 05	4	6	B1209-241-H00	A 06	4	6	B1208-141-H00
D 05	4	13	TA-0500000-R0				
D 05	8	53	B1511-555-000	A 06	8	53	229-07604
D 05	10	12	118-47308	A 06	10	12	B1602-141-H00
D 05	10	17	SS-7121410-SP	A 06	10	17	SS-7121410-TP
D 05	12	22	B1634-141-H00	A 06	12	22	401-38764
D 05	14	3	210-10103				
D 05	14	4	SS-8111010-TP				
D 05	14	5	210-10400				
D 05	14	6	CQ-2020000-00				
D 05	15	15	SS-4080610-SP	A 06	15	15	SS-4080620-TP
D 05	18	22	B3435-141-H00	A 06	18	22	401-30335
				A 06	19	23	SS-6110480-SP
				A 06	19	24	SS-6110480-SP
				A 06	19	25	SS-7151210-SP
				A 06	19	26	401-27966
				A 06	19	27	210-03561
				A 06	19	28	210-03660
				A 06	19	29	210-04809
				A 06	19	30	210-04908
				A 06	19	31	401-28006
				A 06	19	32	401-28105
				A 06	19	33	401-28204
				A 06	19	34	SS-6110480-SP
D 05	20	1	229-30358	D 06	20	1	400-96354
D 05	20	-	No.2~No.20				
D 05	22	-	No.2~No.20				
D 05	24	1	MDP-500B1604	D 06	24	1	MDP-500B1602
D 05	24	2	B9101-552-000	D 06	24	2	229-32800
D 05	24	4	B9110-012-000	D 06	24	4	229-33105
D 05	24	5	B9111-012-000	D 06	24	5	229-33204
D 05	24	6	105-29808	D 06	24	6	400-48536
D 05	25	16	105-06509	D 06	25	16	210-04403

HOW TO MAKE USE OF THIS PARTS LIST

1.Explanation of codes

1)"*"mark.....means this part is changed from the previous parts book.

As to the details of the change, refer to the "List for information of change".

2)"#01".....refer to "Note" explanation at bottom of page.

2.Codes on the "Qty" column

- Each numeral indicates the number of parts required.
- "0.1" and "2.5" indicate the length (in meters) of the respective parts.

3.Parentheses mean that the corresponding part is a subpart that constructs an assembly part.

4.Dotted lines on the Figures indicate assembly parts.

1."注記"欄の記号説明

1) "*"印.....前回のパーツブックに比較して今回変更された部品を意味します。

変更内容は、"変更情報リスト"を参照してください。

2) "#01".....ページ下の"注記"の説明を参照してください。

2.数量欄の数字は、個数を表し、0.1、2.5等の数値は、長さ（単位メートル）を表します。

3.数量欄の（ ）は、組部品を構成している子部品であることを意味します。

4.イラストページの-----枠は、組構成であることを意味します。

NUMERICAL INDEX OF PARTS

PART NO	PAGE	REF NO.	PART NO	PAGE	REF NO.	PART NO	PAGE	REF NO.
10124055	24	2	21005905	10	30	21020201	10	34
10124204	24	22	21005905	38	14	21020201	38	18
10124303	24	23	21006002	10	45	21020409	14	29
10528800	36	14	21006101	10	44	21020557	24	1
10539906	26	16	21006408	10	41	21020607	10	40
10539906	34	9	21006507	10	42	21020607	38	24
11077567	28	8	21006606	14	6	21020706	10	38
11078003	28	17	21006705	14	7	21020706	38	22
11078102	28	15	21006804	14	8	21023007	2	8
11078250	28	9	21006903	14	24	21024302	2	11
11849502	34	3	21007109	14	26	21024500	14	33
17011263	34	12	21008305	14	9	21025309	34	2
21001508	2	3	21009006	14	28	21025358	34	1
21001607	2	4	21009105	14	30	21025655	2	12
21001706	2	5	21009204	14	31	21025804	8	9
21002704	6	4	21009303	14	32	21025952	10	1
21002803	6	5	21009600	14	2	21026000	10	43
21003108	8	10	21009659	14	1	21026109	14	10
21003207	10	21	21009709	16	54	21026208	18	13
21003207	38	5	21009907	20	1	21026307	18	14
21003561	28	27	21010004	20	6	21026406	18	15
21003660	28	28	21010251	20	26	21026505	18	16
21004205	10	22	21010301	20	29	21026604	18	17
21004205	38	6	21010509	20	20	21026703	18	18
21004304	10	23	21010608	20	7	21026802	18	19
21004304	38	7	21010707	20	8	21026901	18	20
21004403	10	32	21010806	20	9	21027008	18	2
21004403	38	16	21010905	20	10	21027057	18	1
21004502	10	17	21011002	20	11	21027107	18	3
21004601	10	37	21011101	20	12	21027206	20	14
21004601	38	21	21011200	20	13	21027305	22	16
21004809	28	29	21011309	20	16	21027305	24	34
21004908	28	30	21011655	22	2	21027404	26	2
21005400	10	25	21011663	22	1	21027503	26	5
21005400	38	9	21017009	2	6	21027602	26	15
21005459	10	24	21017108	2	7	21027966	28	26
21005459	38	8	21017207	2	10	21028006	28	31
21005509	10	26	21017405	8	31	21028105	28	32
21005509	38	10	21017405	40	5	21028204	28	33
21005608	10	27	21017504	38	2	21030051	10	20
21005608	38	11	21017504	40	6	21030069	38	4
21005707	10	28	21020003	10	31	21030903	8	6
21005707	38	12	21020003	38	15	21031000	4	21
21005806	10	29	21020102	10	33	21031109	14	34
21005806	38	13	21020102	38	17	21031109	40	7

NUMERICAL INDEX OF PARTS

PART NO	PAGE	REF NO.	PART NO	PAGE	REF NO.	PART NO	PAGE	REF NO.
21031208	38	3	B1140051000	2	17	B1513141H00	10	47
21031208	40	8	B1147555000	2	19	B1601201000A	16	53
21032107	2	9	B1150241H00	2	1	B1602141H00	14	12
21032107	40	3	B1156115000	2	18	B1604141H00	14	47
21032156	40	1	B1158528000	2	24	B1605201000	16	52
21032206	38	1	B1201241HA0	4	1	B1611155000A	14	13
21032206	40	4	B1202241H00	4	7	B1614241H00	18	11
21032255	40	2	B1203051000	4	10	B1617241H00	18	9
21033006	10	35	B1203241H00	4	2	B1618241H00	18	10
21033006	40	9	B1204241H00	4	3	B1619241H00	18	6
21033105	38	19	B1206051000	4	11	B1621241H00	18	5
21033105	40	10	B1208019000	8	29	B1622241H00A	18	7
22617609	24	10	B1208141H00	4	6	B1623555000A	18	24
22618904	24	30	B1210051000	4	12	B1624586000	18	25
22901805	2	44	B1211141H00	4	4	B1627241H00	18	8
22904106	16	50	B1211226000	4	14	B1646241H00	18	21
22904155	16	49	B1212012000	4	8	B1650241H00	18	12
22907604	12	53	B1213012000	4	9	B1651141H00	16	48
22912109	2	20	B1227141H0AA	4	5	B1702012000	18	42
22932800	36	2	B1302241H00	6	1	B1705155000	14	3
22933006	36	3	B1303271000	6	2	B1706155000	14	4
22933105	36	4	B1305012000	6	6	B1707155000	14	5
22933204	36	5	B13052710B0	6	3	B1804201000	20	18
22934202	26	31	B1306155000	6	8	B1806038000	20	17
22934251	26	27	B1307155000	6	9	B1905245000	4	20
22934301	26	32	B13072710A0	6	7	B1906051000	4	22
22934400	26	30	B1308155000	6	10	B1906051000	8	30
22934509	26	28	B1401246000	8	5	B1907051000	4	23
22934608	26	29	B1408051000	8	12	B2115271000	18	23
26910158	32	1	B1411051000	8	13	B3116125000	22	13
40021374	8	8	B1414232000	8	15	B3116125000	24	21
40022417	20	2	B1417771000	8	16	B3120125000	22	14
40032132	26	21	B1418141H00	8	7	B3120125000	24	20
40048536	36	6	B1423051000	8	14	B3123051000	22	5
40096354	30	1	B1424158000	8	17	B3123527000	24	3
40130335	26	22	B1428563000	8	2	B3125012000	22	3
40138764	18	22	B1429241H00	8	4	B3125012000	24	13
B1103051000	2	15	B1429241HB0	8	1	B3125012000	28	13
B1114051000	36	9	B1431241H00	8	21	B3125155000	22	18
B1118241H00	2	2	B146105300A	12	49	B3125527000	24	11
B1129521000	2	16	B146105300B	12	50	B3126012000	28	11
B1130051000	2	21	B1462053000	12	51	B3126051000	22	6
B1130528000	2	22	B1510141H00	10	46	B3126051000	24	17
B1131512000	2	25	B1510155000	12	52	B3127051000	22	7
B1131528000	2	23	B1512141H00	12	48	B3127051000	24	15

NUMERICAL INDEX OF PARTS

PART NO	PAGE	REF NO.	PART NO	PAGE	REF NO.	PART NO	PAGE	REF NO.
B3127527000	24	16	B8213051000	36	10	SD0490261SP	28	18
B3128051000	22	8	B8217241H00	2	36	SD0600271SP	22	21
B3128051000	24	4	B8218241H00	2	37	SD0640231SP	18	30
B3128527000	24	8	B8230241H0A	28	2	SD0640372SH	14	27
B3129012A00	22	4	B8230241H0B	28	3	SD0640851SP	14	25
B3129012A00	24	19	B8230241H0C	28	4	SD0790601SP	26	6
B3129012B00	28	12	B8230241HA0A	28	1	SD0800481SP	12	55
B3132051000	22	9	B9112012000	36	12	SD1020962SP	18	44
B3132051000	24	18	B9113012000	36	13	SD1127321SP	26	4
B3134051000	22	10	B9117051000	20	15	SK1552500SC	34	11
B3134521000	24	27	B9117051000	36	8	SK3311600SE	34	6
B31370510A0	22	11	B9121141HA0	36	7	SK3482500SC	28	21
B31375270A0	24	5	CM301200001	2	45	SK3483201SE	26	34
B3138512000	22	17	CQ202000000	2	39	SK3513200SC	34	14
B3138512000	24	33	CQ202000000	14	16	SM6031202TP	6	15
B3138527000	24	9	CQ202000000	20	19	SM6051410SC	6	12
B3139527000	24	7	CQ252000000	4	25	SM9061203SE	26	33
B3141527000	24	12	CQ252000000	6	13	SS1092810SP	20	24
B3142527000	24	6	CQ252000000	8	18	SS1680910SP	36	11
B3143527000	24	14	CQ252000000	18	31	SS2090520SL	2	27
B3211555000	28	16	CQ505000000	4	17	SS2090710TP	2	29
B3214047000	24	24	CS0790721TH	20	23	SS2090840SP	2	26
B3216047000	24	26	CS0791016SH	6	14	SS2110920TP	14	42
B3401141H00	26	8	CS0791016SH	20	21	SS3090520SP	2	30
B3402141H00	26	9	CS1111019SH	14	15	SS4080620TP	22	15
B3402141HA0	26	7	CS1271012SH	4	15	SS4090610SP	2	43
B3403141H00	26	10	D3168555H0B	24	25	SS4110515SP	28	14
B3404141H00	26	11	D8204555D00	34	5	SS6080360SP	8	23
B3405141H00	26	12	MDP500B1600	8	11	SS6080360SP	10	36
B3406141H00	26	13	MDP500B1602	36	1	SS6080360SP	38	20
B3410241H00A	26	1	NS6110310SP	24	32	SS6110480SP	28	34
B3420141H0A	26	19	NS6110350SP	14	37	SS6111210SP	14	18
B3420141HAA	26	17	NS6110530SP	12	54	SS6121050SP	18	32
B3424141H00	26	23	NS6620310SN	14	35	SS6121210SP	14	19
B3425141H00	26	25	NS6620310SP	26	3	SS6121210SP	18	33
B3426141H00A	26	18	NS6660430SP	14	36	SS6121220TP	28	7
B3433141H0A	26	20	NS6680320SP	18	28	SS6121610SP	18	4
B3434141H00	26	24	NS6680410SP	18	43	SS6151220SP	18	34
B3502115000	2	38	PT0301600S0	8	3	SS6151920SP	16	57
B3517009000	2	13	RC0150001KP	16	55	SS7080510SP	2	40
B71140120A0	34	13	RE0500000K0	14	14	SS7080510SP	8	22
B8204012000	34	4	RE0700000K0	8	20	SS7081310SP	28	19
B8206012000	34	8	RE0800000K0	18	27	SS7090510SP	28	6
B8209012000	34	7	SD0470281SP	22	12	SS7090520SP	22	19
B8212051000	34	10	SD0470281SP	24	31	SS7090520SP	24	35

NUMERICAL INDEX OF PARTS

PART NO	PAGE	REF NO.	PART NO	PAGE	REF NO.
SS7090610SP	2	34	SS8151550SP	6	17
SS7090610SP	28	5	SS8151780SP	4	32
SS7090910SP	8	24	SS8620610TP	14	22
SS7110510SP	14	43	SS8660530TP	14	23
SS7110710SP	2	42	SS8660530TP	20	4
SS7110710SP	14	44	SS8660610TP	4	33
SS7110720SP	14	20	SS8660610TP	6	18
SS7110720SP	24	36	SS8660610TP	16	51
SS7110840SP	28	10	SS8660610TP	20	5
SS7111120SP	14	45	SS8660810TP	6	19
SS7111310SP	12	56	SS8660810TP	14	46
SS7111810SP	2	41	SS8660810TP	18	39
SS7112420SP	20	27	SS8661040TP	18	40
SS7120910SP	2	33	SS8680540SP	4	34
SS7120910SP	26	14	SS8680730SP	4	35
SS7121410TP	14	17	SS8681650TP	4	13
SS7150740SP	2	35	SS9111010SP	8	27
SS7151210SP	8	25	SS9182010SN	26	26
SS7151210SP	18	35	TA0290301M0	18	26
SS7151210SP	28	25	WP0480856SP	8	19
SS7151330SP	18	36	WP0480856SP	28	20
SS7161640SP	14	39	WP0501016SC	28	22
SS7620750SP	18	37	WS0822010KP	14	38
SS7681750TP	4	27	WS0822010KP	20	22
SS7701010SP	4	28			
SS7702610SP	14	41			
SS7702610SP	20	25			
SS8090410SP	20	3			
SS8110510SP	8	28			
SS8110520TP	6	16			
SS8110520TP	20	28			
SS8110750SP	12	57			
SS8111251SP	22	20			
SS8111251SP	24	37			
SS8150710SP	4	29			
SS8150710SP	10	39			
SS8150710SP	16	56			
SS8150710SP	38	23			
SS8150750SP	4	26			
SS8151150SP	8	26			
SS8151150SP	14	21			
SS8151150SP	18	41			
SS8151150SP	20	30			
SS8151230SP	18	38			
SS8151550SP	4	31			