

MODEL : DDL-5570N/DDL-5580N SERIES

List No : 0483-02

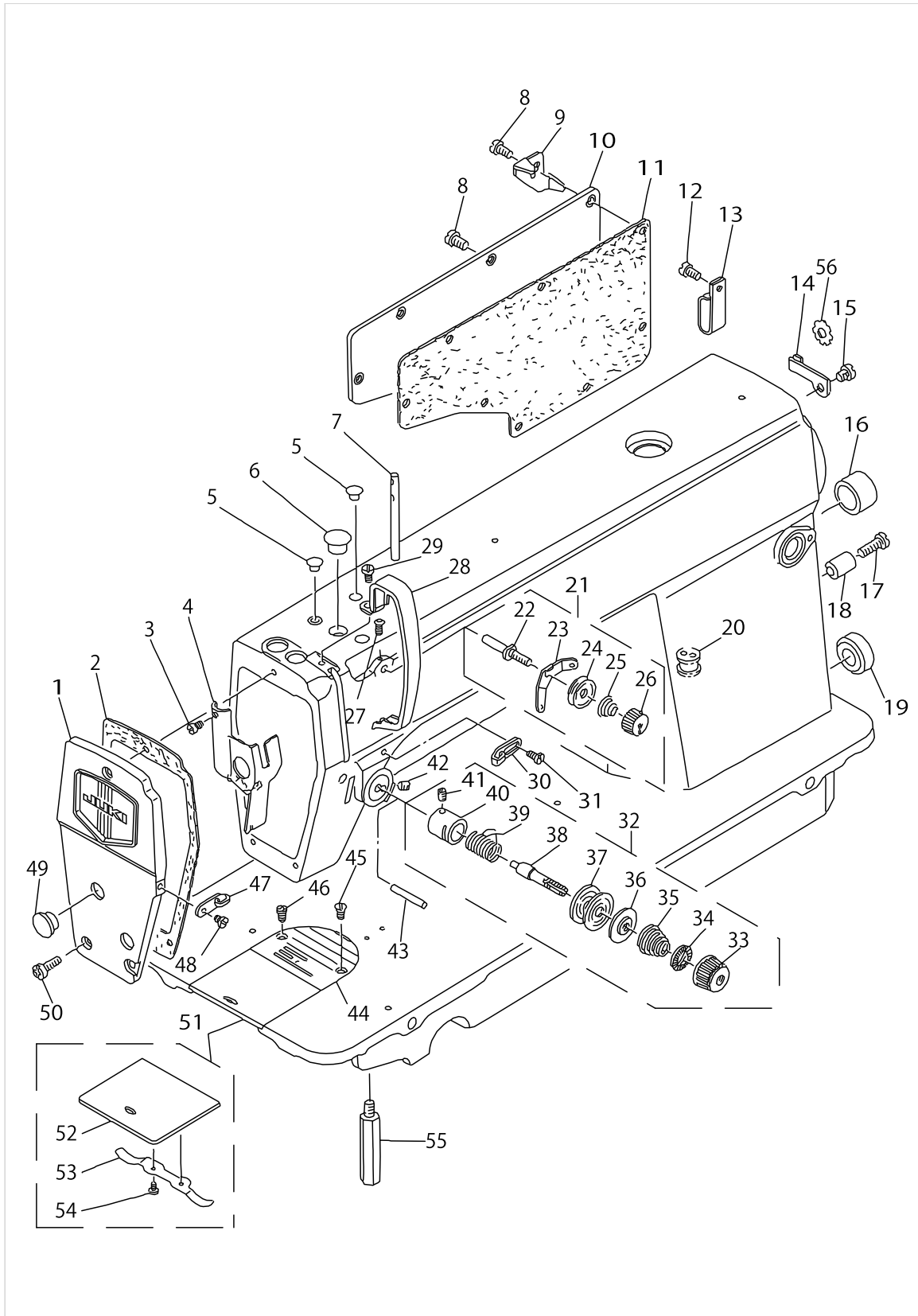
PARTS LIST

Published:09/10/2017

CONTENTS

MACHINE FRAME & MISCELLANEOUS COVER COMPONENTS	1
MAIN SHAFT COMPONENTS	5
NEEDLE BAR, UPRIGHT SHAFT & HOOK DRIVING SHAFT COMPONENTS	7
HAND LIFTER COMPONENTS	9
FEED MECHANISM COMPONENTS	13
THREAD TRIMMER COMPONENTS	17
AUTOMATIC REVERSE FEED COMPONENTS	21
WIPER COMPONENTS	23
OIL LUBRICATION COMPONENTS	25
OIL RESERVOIR COMPONENTS	27
BELT COVER & BOBBIN WINDER COMPONENTS	29
THREAD STAND COMPONENTS	31
AK-30	33
EXCLUSIVE PARTS FOR DDL-5570N-H	37
EXCLUSIVE PARTS FOR DDL-5570N-A, 5580N-A	41
EXCLUSIVE PARTS FOR DDL-5570N-K, 5580N-K	43
EXCLUSIVE PARTS FOR DDL-5570N-M, 5580N-M	45
HOW TO MAKE USE OF THIS PARTS LIST	47

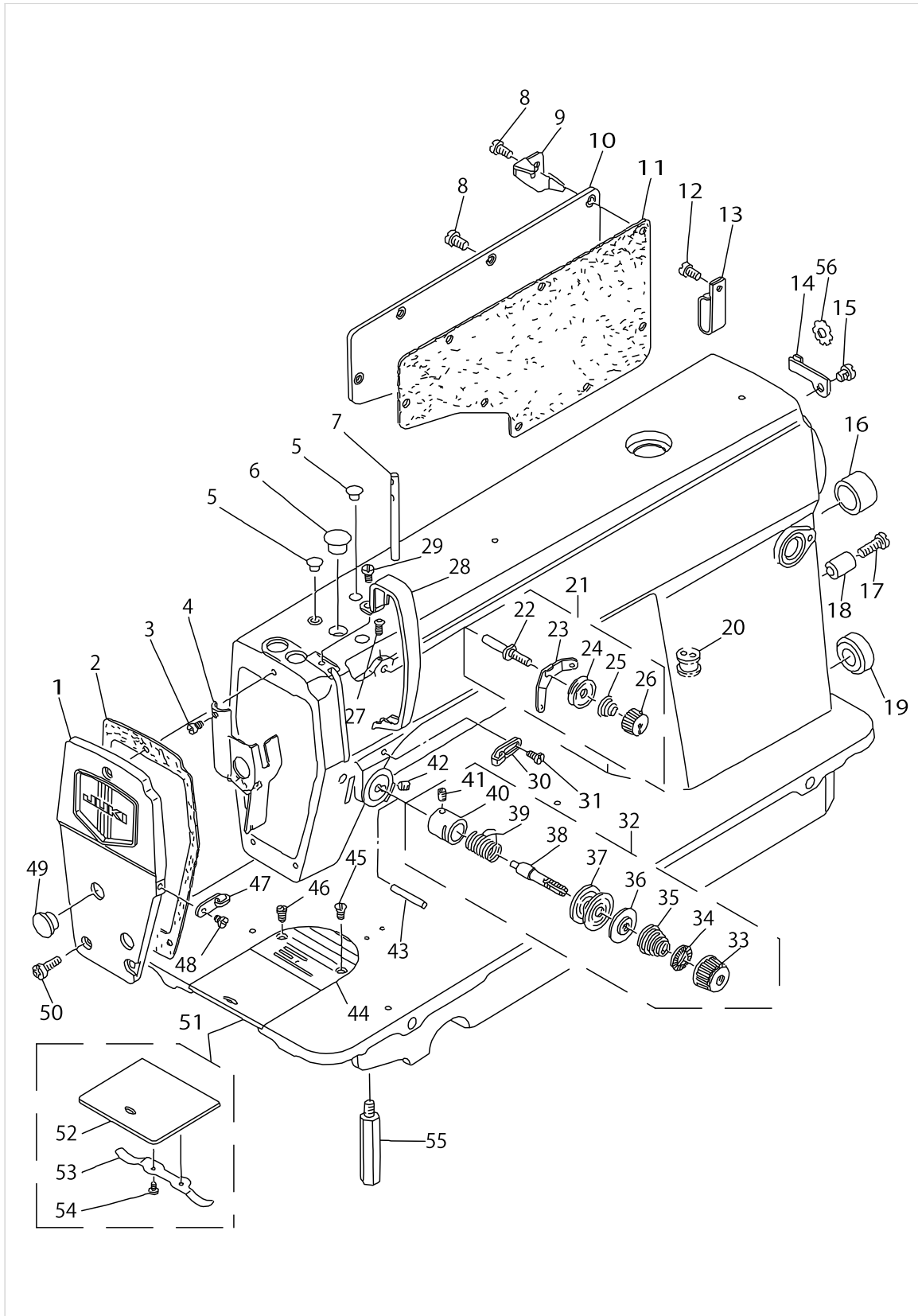
MACHINE FRAME & MISCELLANEOUS COVER COMPONENTS



MACHINE FRAME & MISCELLANEOUS COVER COMPONENTS

No.	Parts No.	Parts name	Remarks	Level	Cons	Qty
1	11070851	FACE PLATE ASM.				1
2	11000304	FACE PLATE GASKET				1
3	SS6080410SP	SCREW 1/8-44 L=4				1
4	11000858	ARM OIL SHIELD ASM.				1
5	TA0850604R0	RUBBER PLUG				2
6	TA1250705R0	RUBBER PLUG				1
7	B1114012000	THREAD GUIDE PIN				1
8	SS4120915SP	SCREW 3/16-28 L=9				8
9	11102605	CORD HOLDER				1
10	11070901	SIDE PLATE				1
11	11000619	GASKET				1
12	SS4120915SP	SCREW 3/16-28 L=9				1
13	D2112555B00	CORD HOLDER, LARGE				1
14	11030301	CABLE HOLDER				1
15	SS4120615SP	SCREW 3/16-28 L=6				1
16	TA2000502R0	RUBBER PLUG				1
17	SS6121840SP	SCREW 3/16-28 L=18.0				1
18	11100500	REVERSE FEED LEVER STOPPER				1
19	TA2101002R0	RUBBER PLUG				1
20	11100104	MAGNET CORD RUBBER				1
21	11072451	THREAD TENSION NUT ASM.				1
22	11045002	FIRST TENSION POST		*		1
23	11045200	THREAD TENSION GUIDE		*		1
24	B3214047000	BOBBIN WINDER TENSION DISC		*		2
25	11045101	THREAD TENSION SPRING		*		1
26	11072402	THREAD TENSION NUT		*		1
27	SS4120615SP	SCREW 3/16-28 L=6				1
28	11071008	THREAD TAKE-UP LEVER COVER				1
29	SS4120615SP	SCREW 3/16-28 L=6				1
30	11018504	ARM THREAD GUIDE A				1
31	11001500	SCREW				1
32	11072352	THREAD TENSION ASM.				1
33	11072204	TENSION NUT		*		1
34	B3120125000	ROTATING STOPPER		*		1
35	B3129012A00	TENSION SPRING		*		1
36	B3132552000	THREAD TENSION DISK PRESSER		*		1
37	B3126012000	THREAD TENSION DISK		*		2
38	B3115552000	TENSION POST		*		1
39	B3128012000	TAKE-UP SPRING		*		1
40	B3111126000	TENSION POST SOCKET		*		1
41	SS8090670SP	SCREW 9/64-40 L= 5.5		*		1
42	SS8150710SP	SCREW 15/64-28 L=7				1
43	B3118552E00	THREAD RELEASE PIN				1
44	11028008	THROAT PLATE				1
45	SS2110920TP	SCREW 11/64-40 L=8.5				1
46	SS2110915SP	SCREW 11/64-40 L=6.8				1
47	11018603	ARM THREAD GUIDE B				1

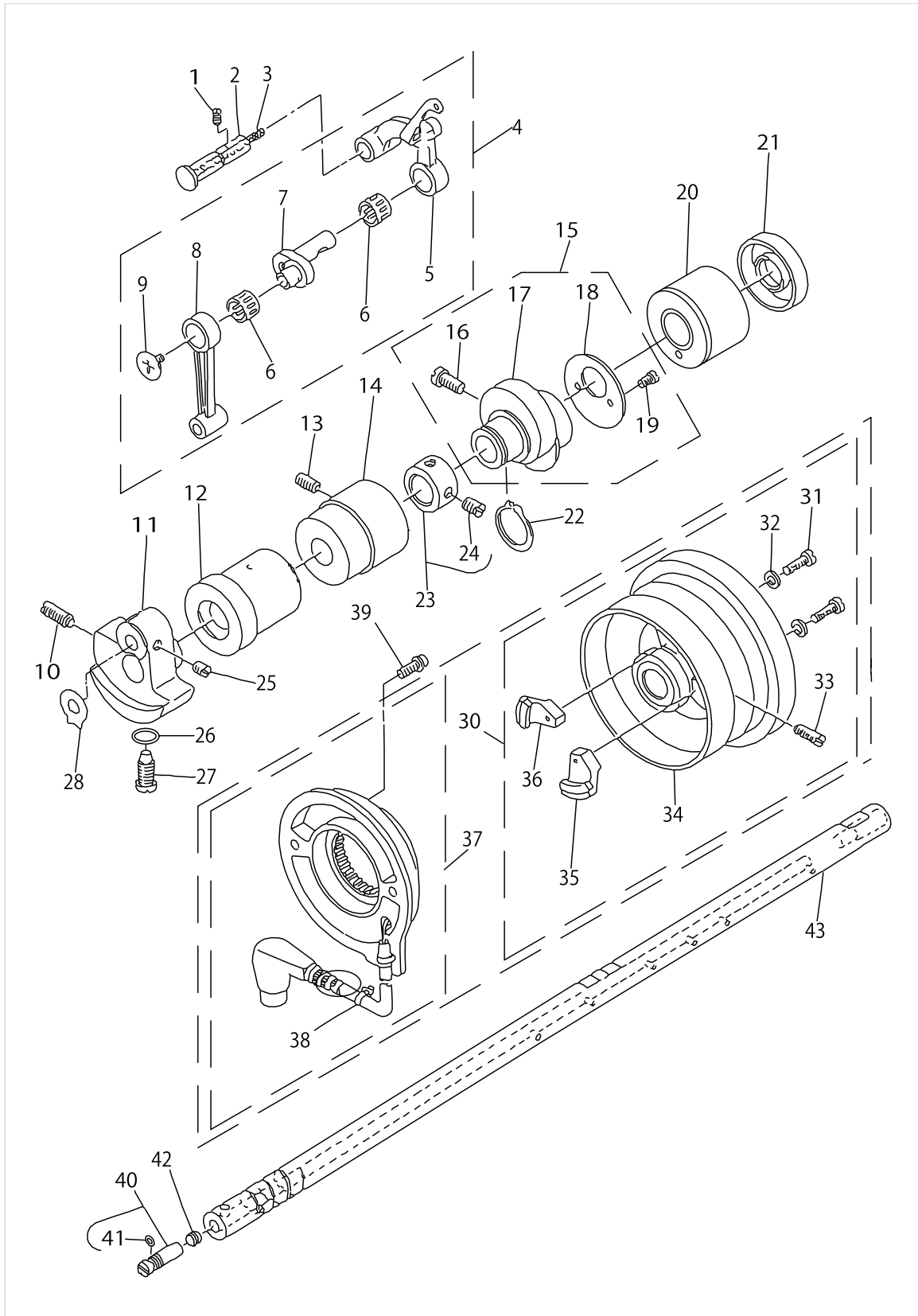
MACHINE FRAME & MISCELLANEOUS COVER COMPONENTS



MACHINE FRAME & MISCELLANEOUS COVER COMPONENTS

No.	Parts No.	Parts name	Remarks	Level	Cons	Qty
48	SS6110610TP	SCREW 11/64-40 L=6				1
49	TA1250406R0	RUBBER PLUG				2
50	SS4120915SP	SCREW 3/16-28 L=9				3
51	11001658	BED SLIDE ASM.				1
52	B1110012000	SLIDE PLATE		*		1
53	11001609	BED SLIDE SPRING		*		1
54	SS6060210SP	SCREW 3/32-56 L= 1.9		*		2
55	11001104	BED SCREW STUD				4
56	WT0530002KS	TOOTHED WASHER				1

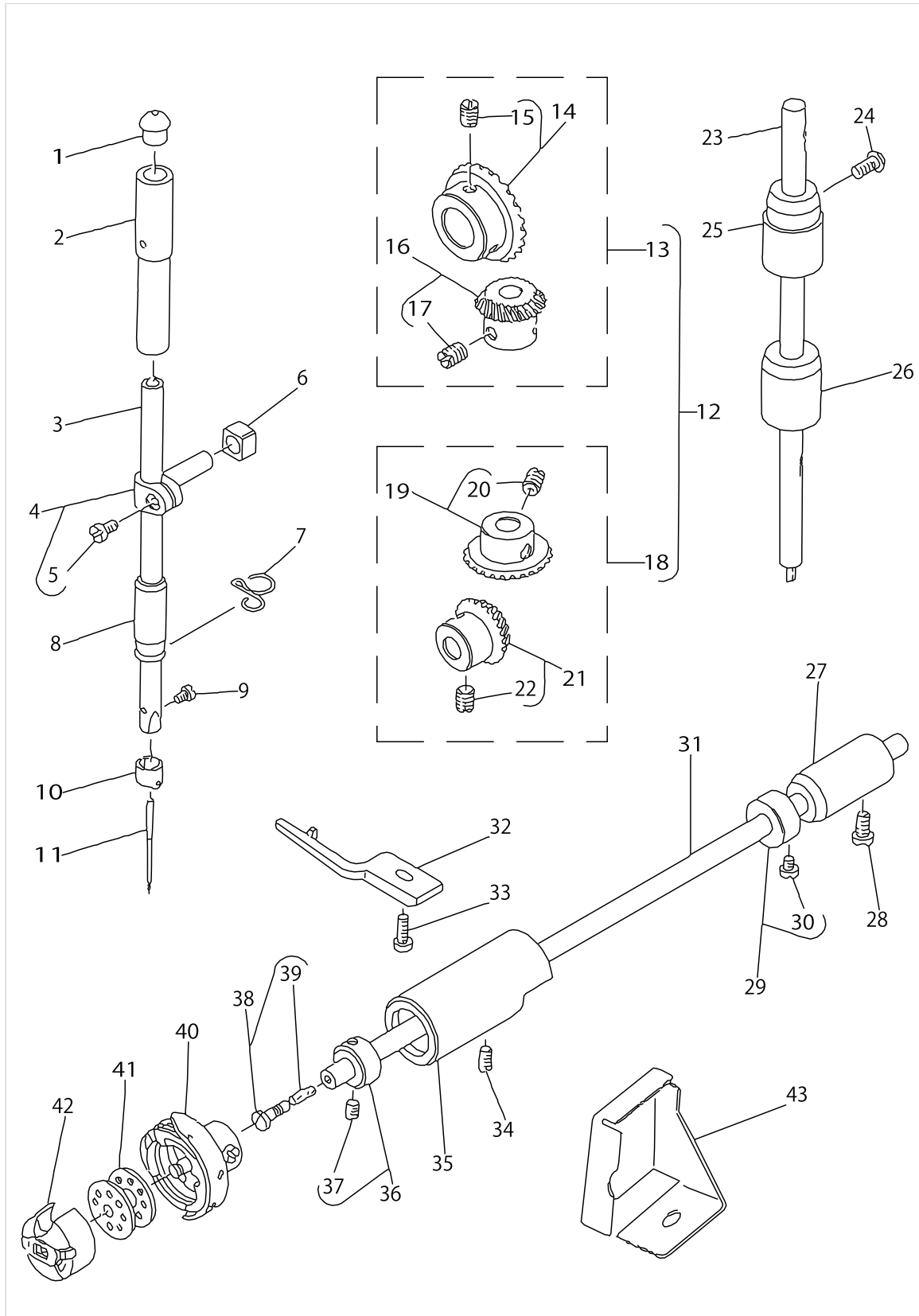
MAIN SHAFT COMPONENTS



MAIN SHAFT COMPONENTS

No.	Parts No.	Parts name	Remarks	Level	Cons	Qty
1	SS8151150SP	SCREW 15/64-28 L=10.5				1
2	11017209	THREAD TAKE-UP CRANK SHAFT				1
3	CQ3500000F0	OIL FELT				0.1
4	11039070	THREAD TAKE-UP LEVER ASM.				1
5	11039062	THREAD TAKE-UP LEVER ASM.		*		1
6	B1905541B00	BALANCE NEEDLE BEARING	SELECTING PART(A~D)	*		2
7	11005204	NEEDLE BAR CRANK		*		1
8	B1408552000	NEEDLE BAR CRANK ROD		*		1
9	B1903552000	LEFT SCREW		*		1
10	SS8681650TP	SCREW 9/32-28 L=16				1
11	11002102	COUNTERWEIGHT				1
12	11002201	MAIN SHAFT BUSHING, FRONT				1
13	SS8150912TH	SCREW				1
14	11002300	BUSHING, INTERMEDIATE				1
15	11008059	FEED DRIVE ECCENTRIC CAM ASM.				1
16	SS6661110SP	SCREW 1/4-40 L=11		*		2
17	11008000	FEED DRIVE ECCENTRIC CAM		*		1
18	11008109	THRUST COLLAR		*		1
19	SS6090670TP	SCREW 9/64-40 L=6		*		2
20	11002805	MAIN SHAFT BUSHING, REAR				1
21	11002508	OIL SEAL				1
22	RC1850001KP	SNAP RING 18.5				1
23	CS147121ASH	THRUST COLLAR ASM.D=14.72 W=12				1
24	SS8660610TP	SCREW 1/4-40 L=6		*		2
25	SS8660610TP	SCREW 1/4-40 L=6				2
26	RO044240100	RUBBER RING				1
27	SS7681650TP	SCREW 9/32-28 L=16				1
28	B1212552A00	COUNTERWEIGHT PROTECTING PLATE				1
29	11071552	SYNCHRONIZER ASM.				1
30	11071461	HAND WHEEL ASM.				1
31	SS6111210SP	SCREW 11/64-40 L=12		*		2
32	WP0450801SD	WASHER 4.5X10.0X0.8		*		2
33	SS8151550SP	SCREW 15/64-28 L=15		*		2
34	11071453	HAND WHEEL ASM.		*		1
35	M40071100AA	MAGNET FITTING BASE A ASM.		*		1
36	M40071100AB	MAGNET FITTING BASE B ASM.		*		1
37	11032265	GENERATOR STARTER ASM.				1
38	HX000430000	CLIP		*		2
39	SL4051001MZ	SCREW				2
40	B12135520A0A	OIL AMOUNT ADJUSTING PIN ASM.				1
41	RO029180100	RUBBER RING		*		1
42	11002904	ROLLER FELT				1
43	11002003	MAIN SHAFT				1

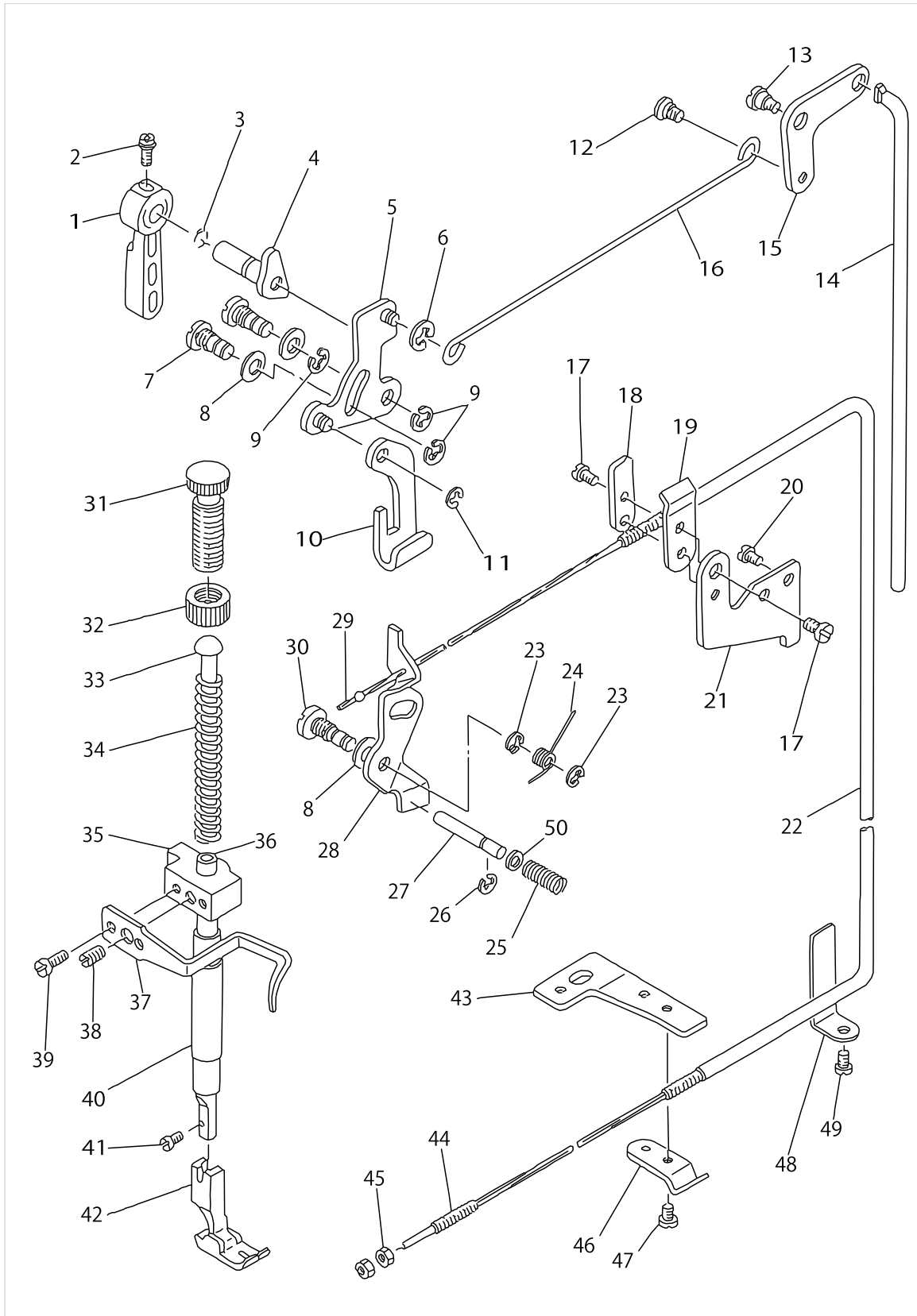
NEEDLE BAR, UPRIGHT SHAFT & HOOK DRIVING SHAFT COMPONENTS



NEEDLE BAR, UPRIGHT SHAFT & HOOK DRIVING SHAFT COMPONENTS

No.	Parts No.	Parts name	Remarks	Level	Cons	Qty
1	B1405012000	CAP				1
2	B1402552000A	NEEDLE BAR BUSHING, UPPER				1
3	11035003	NEEDLE BAR				1
4	B14115520A0	NEEDLE ROD HOLDER ASM.				1
5	SS6090670TP	SCREW 9/64-40 L=6		*		1
6	B1414555000	SLIDE BLOCK				1
7	11018801	NEEDLE BAR THREAD GUIDE				1
8	B1403155000	NEEDLE BAR BUSHING, LOWER				1
9	SS7080510TP	SCREW 1/8-44 L=4.5				1
10	11035300	NEEDLE BAR THREAD GUIDE				1
11	MDB100B1400	NEEDLE DBX1 #14				1
12	B13061550C0	GEAR & PINION ASM.				1
13	B13061550B0	GEAR & PINION ASM., UPPER		*		1
14	B13050120A0	GEAR ASM.		*		1
15	SS8660810TP	SCREW 1/4-40 L=8		*		2
16	B13061550A0	PINION ASM.		*		1
17	SS8660810TP	SCREW 1/4-40 L=8		*		2
18	B13071550B0	GEAR & PINION ASM., LOWER		*		1
19	B13071550A0	GEAR ASM. LARGE		*		1
20	SS8660810TP	SCREW 1/4-40 L=8		*		2
21	B13081550A0	PINION ASM.		*		1
22	SS8660810TP	SCREW 1/4-40 L=8		*		2
23	11004009	UPRIGHT SHAFT				1
24	SS4120915SP	SCREW 3/16-28 L=9				1
25	11004108	BUSHING, UPPER				1
26	11004207	UPRIGHT SHAFT BUSHING, LOWER				1
27	11015203	BUSHING, REAR				1
28	SS4120915SP	SCREW 3/16-28 L=9				1
29	CS079101ASH	THRUST COLLAR ASM. D=7.94 W=10				1
30	SS6110420TP	SCREW 11/64-40 L=4.8		*		2
31	11015005	HOOK DRIVING SHAFT				1
32	11038809	BOBBIN CASE HOLDER				1
33	SS6111010SP	SCREW 11/64-40 L= 9.5				1
34	SS8150432TH	SCREW				1
35	11015104	BUSHING ASM., FRONT				1
36	CS079073ASH	THRUST COLLAR				1
37	SS8110410TP	SCREW 11/64-40 L= 3.5		*		2
38	B18085520A0	OIL SEAL SCREW ASM.				1
39	B1810552000	OIL WICK				1
40	11038650	LUBRICATING BOBBIN ASM.				1
41	B9117012000	BOBBIN				1
42	11038759	BOBBIN CASE ASM.				1
43	11038908	OIL SHIELD				1

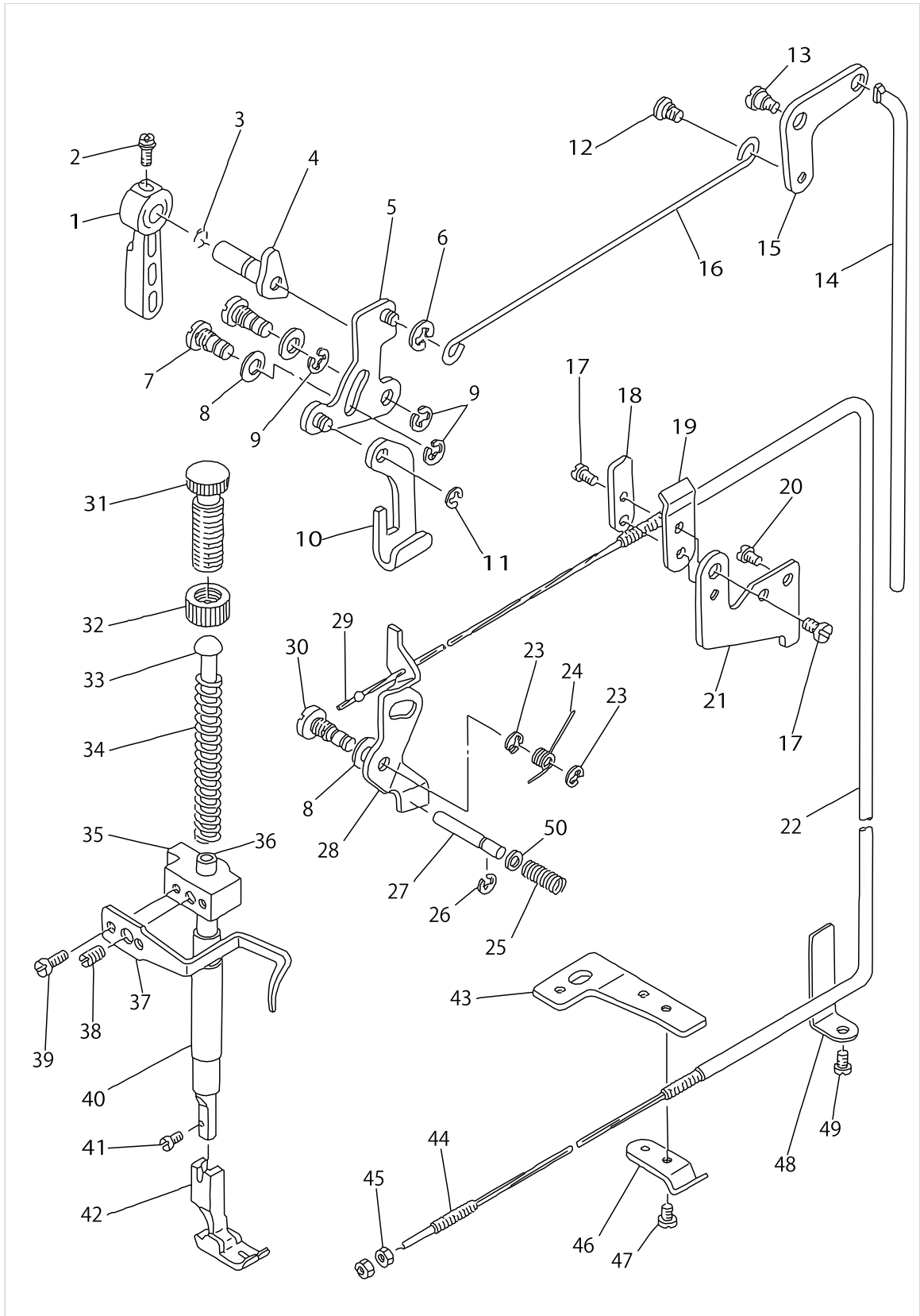
HAND LIFTER COMPONENTS



HAND LIFTER COMPONENTS

No.	Parts No.	Parts name	Remarks	Level	Cons	Qty
1	11071800	HAND LIFTER				1
2	B1521555000	SCREW				1
3	RO037180100	RUBBER RING				1
4	11006756	HAND LIFTER CAM ASM.				1
5	11006350	HAND LIFTER LINK				1
6	RE0500000K0	E-RING				1
7	11006509	LINK SHAFT				2
8	11006608	GASKET				3
9	RE0500000K0	E-RING				3
10	11006202	LIFTING LEVER				1
11	11007309	LIFTING LEVER RING				1
12	11007101	HINGE SCREW				1
13	SD0720332SP	HINGE SCREW D= 7.24 H= 3.3				1
14	11007200	CONNECTING ROD VERTICAL				1
15	11007002	LIFTING LEVER LINK				1
16	11006905	LIFTING LEVER CONNECTING ROD				1
17	SS7110740TP	SCREW 11/64-40 L=7				2
18	11045507	WIRE HOLDER B				1
19	11045408	WIRE HOLDER A				1
20	SS4120615SP	SCREW 3/16-28 L=6				1
21	11045606	WIRE HOLDER BRACKET (UPPER)				1
22	11045804	WIRE TUBE				1
23	RE0500000K0	E-RING				2
24	11018207	TENSION RELEASE RETURN SPRING				1
25	11018405	TENSION RELEASE PIN SPRING				1
26	RE0400000K0	E-SHAPED SNAP RING (4MM)				1
27	11018306	TENSION RELEASE SUPPORTING PIN				1
28	11018009	TENSION RELEASE PLATE				1
29	11045903	WIRE CABLE				1
30	11018108	TENSION RELEASE SHAFT				1
31	11071602	PRESSER SPRING REGULATOR				1
32	11071701	NUT				1
33	B1510227000	PRESSER GUIDE BAR				1
34	B1505227000A	PRESSER SPRING				1
35	11028255	NEEDLE BAR GUIDE BRACKET ASM.				1
36	B1501127000	PRESSER BAR				1
37	11006103	PRESSER BAR THREAD GUIDE				1
38	SS8660810TP	SCREW 1/4-40 L=8				1
39	SS7090910SP	SCREW 9/64-40 L= 8.5				2
40	B1502541000	PRESSER BAR BUSHING, LOWER				1
41	SS7091110SP	SCREW 9/64-40 L=10.5				1
42	11028156	PRESSER FOOT ASM.				1
43	11045705	WIRE HOLDER BRACKET (LOWER)				1
44	D3159555B00	SET SCREW				1
45	NS6620310SP	NUT 3/16-32				2
46	11045408	WIRE HOLDER A				1
47	SS7110410SP	SCREW 11/64-40 L=4				1

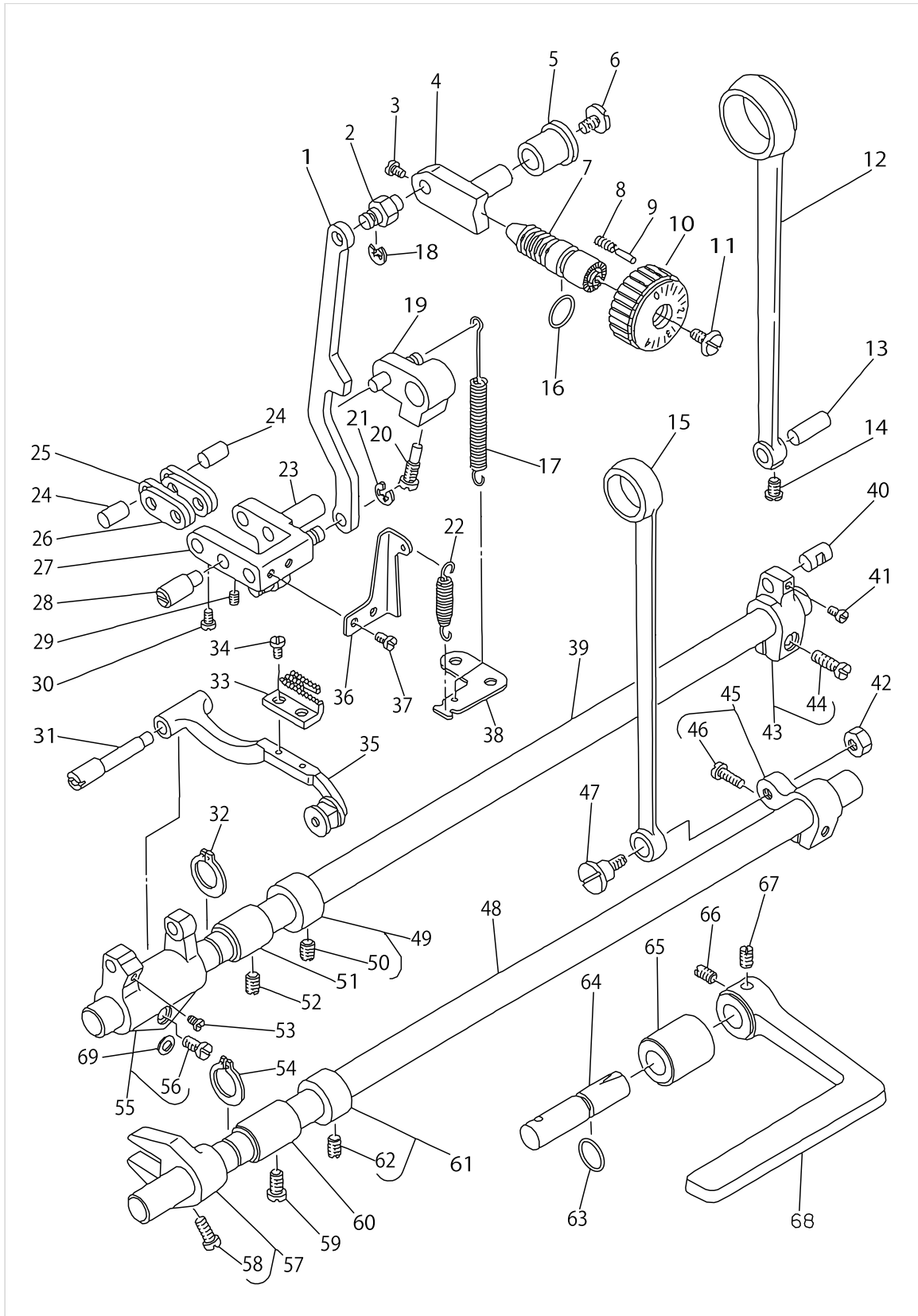
HAND LIFTER COMPONENTS



HAND LIFTER COMPONENTS

No.	Parts No.	Parts name	Remarks	Level	Cons	Qty
48	11046000	WIRE CABLE HOLDER				1
49	SS4120615SP	SCREW 3/16-28 L=6				1
50	11019007	WASHER PLATE				1

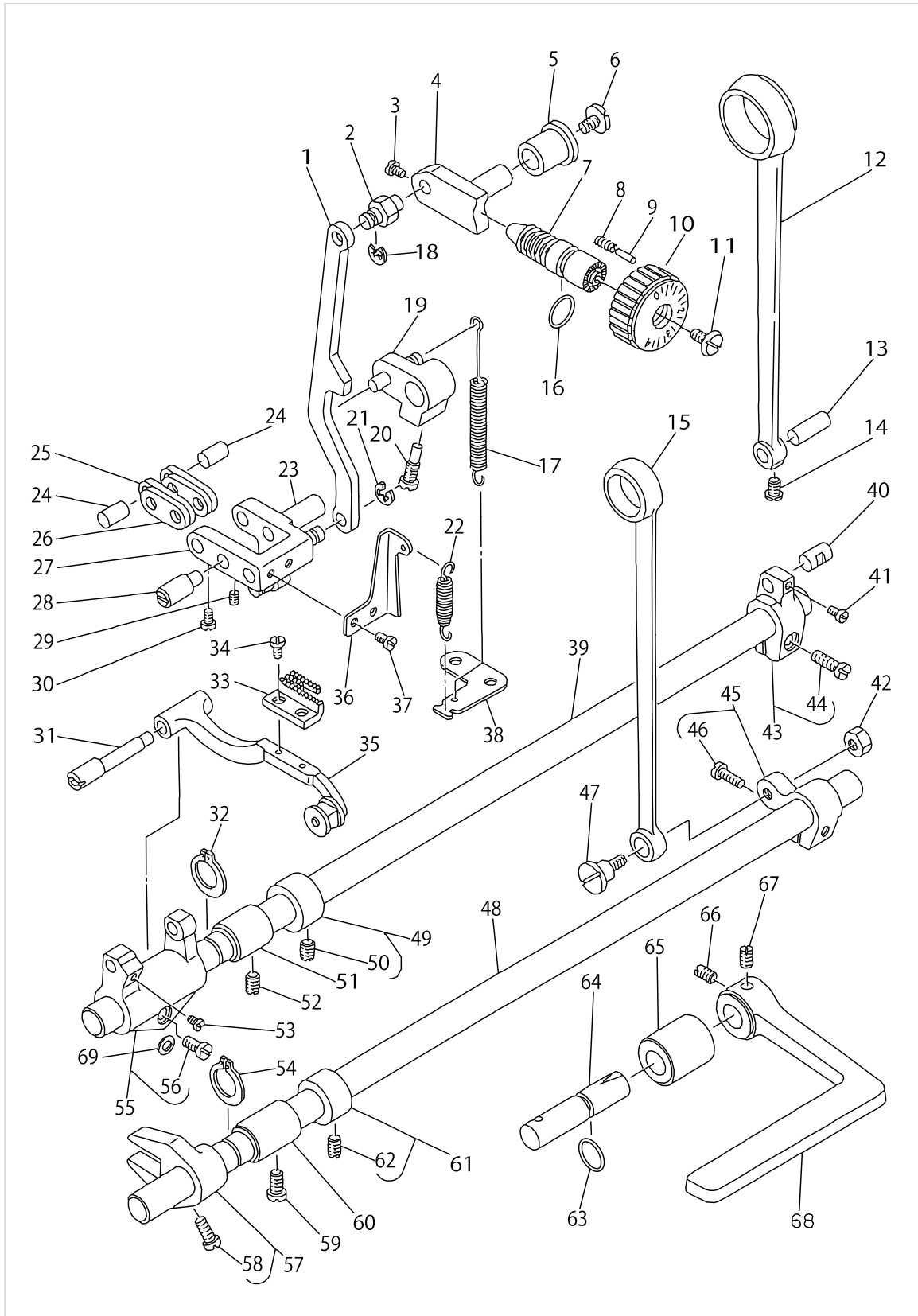
FEED MECHANISM COMPONENTS



FEED MECHANISM COMPONENTS

No.	Parts No.	Parts name	Remarks	Level	Cons	Qty
1	11100401	FEED ADJUST ROD				1
2	11009602	FEED REGULATOR PIN				1
3	SS6090670TP	SCREW 9/64-40 L=6				2
4	11009701	FEED REGULATOR				1
5	11011509	FEED REGULATOR BUSHING				1
6	SS7120770SH	SCREW				1
7	11009909	FEED REGULATOR SCREW				1
8	B1148555000	SPRING				1
9	11052701	PIN				1
10	11072006	FEED DIAL				1
11	SS6121860SP	SCREW				1
12	11008208	ROCKER SHAFT CONNECTING ROD				1
13	11009206	WALKING FOOT PIN C				1
14	SS6090620SP	SCREW 9/64-40 L=6				1
15	11014008	CONNECTING ROD				1
16	RO092270200	RUBBER RING				1
17	11010303	FEED REVERSE SPRING				1
18	RE0500000K0	E-RING				1
19	11010154	FEED REVERSE ARM ASM.				1
20	11010402	FEED REVERSE ARM SCREW				1
21	RE0500000K0	E-RING				1
22	11009404	ADGUSTING LINK SPRING				1
23	11008901	ADGUSTING LINK FULCRUM SHAFT B				1
24	11009008	WALKING FOOT PIN A				2
25	11008703	WALKING FOOT LINK				2
26	11008604	CONNECTING LINK A				2
27	11100252	FEED ADJUST LINK ASM.				1
28	11008802	ADGUSTING LINK FULCRUM SHAFT A				1
29	SS8150710SP	SCREW 15/64-28 L=7				2
30	SS6090620SP	SCREW 9/64-40 L=6				2
31	11037207	FEED BAR SHAFT				1
32	RC0150001KP	RETAINING RING 13.8				1
33	B1613012A00	FEED DOG A				1
34	SS4080620TP	SCREW 1/8-44 L=6				2
35	11037355	FEED BAR ASM.				1
36	11009305	ADGUSTING LINK SPRING GUIDE				1
37	SS7110510SP	SCREW 11/64-40 L=5				1
38	11011301	FEED SPRING HOOK				1
39	11010808	FEED ROCKER SHAFT				1
40	11009107	WALKING FOOT PIN B				1
41	SS6090620SP	SCREW 9/64-40 L=6				1
42	NS6680410SP	NUT 9/32-28				1
43	11008356	FEED ROCKER SHAFT CRANK ASM.				1
44	SS7121410SP	SCREW 3/16-28 L=14		*		1
45	11014156	REAR CRANK ASM.				1
46	SS6121210SP	SCREW 3/16-28 L=12		*		1
47	SD1000801SH	HINGE SCREW				1

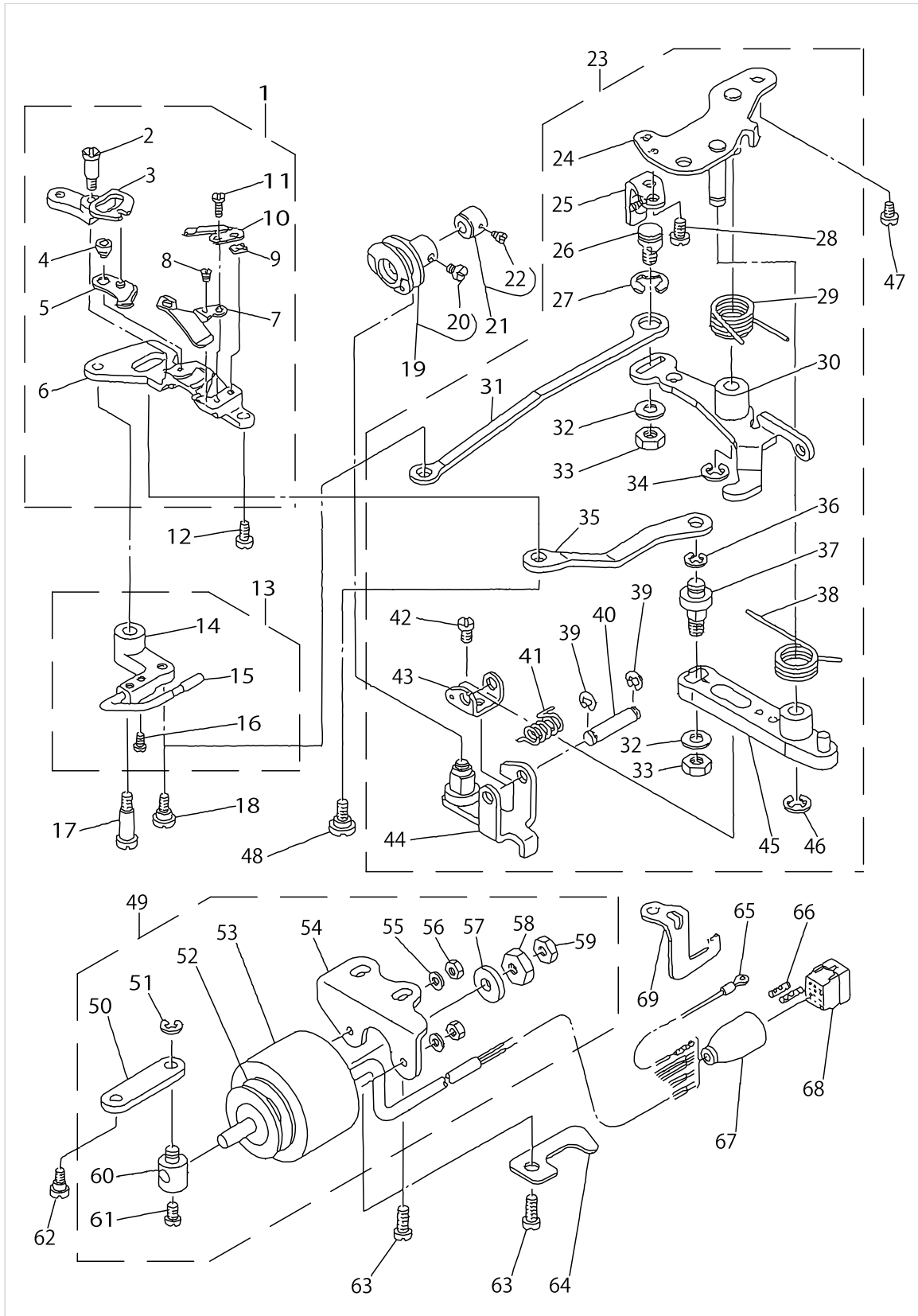
FEED MECHANISM COMPONENTS



FEED MECHANISM COMPONENTS

No.	Parts No.	Parts name	Remarks	Level	Cons	Qty
48	11014206	FEED DRIVING SHAFT				1
49	CS147121ASH	THRUST COLLAR ASM.D=14.72 W=12				1
50	SS8660610TP	SCREW 1/4-40 L=6		*		2
51	11010907	FEED ROCKER SHAFT BUSHING				1
52	SS8150432TH	SCREW				1
53	SS7110740TP	SCREW 11/64-40 L=7				1
54	RC0150001KP	RETAINING RING 13.8				1
55	11037157	FEED BAR CRANK ASM.				1
56	SS7121410TP	SCREW 3/16-28 L=14		*		1
57	11014354	DRIVING SHAFT CRANK ASM.,FRONT				1
58	SS7111120SP	SCREW 11/64-40 L=10.5		*		1
59	SS4120915SP	SCREW 3/16-28 L=9				1
60	11010907	FEED ROCKER SHAFT BUSHING				1
61	CS147121ASH	THRUST COLLAR ASM.D=14.72 W=12				1
62	SS8660610TP	SCREW 1/4-40 L=6		*		2
63	RO078190100	RUBBER RING				1
64	11053105	FEED REVERSE SHAFT				1
65	11010709	FEED LEVER METAL				1
66	SS8660810TP	SCREW 1/4-40 L=8				1
67	SS8661040TP	SCREW 1/4-40 L=10				1
68	11072105	REVERSE FEED CONTROL LEVER				1
69	WP0480856SP	WASHER 4.8X8.4X0.8				1

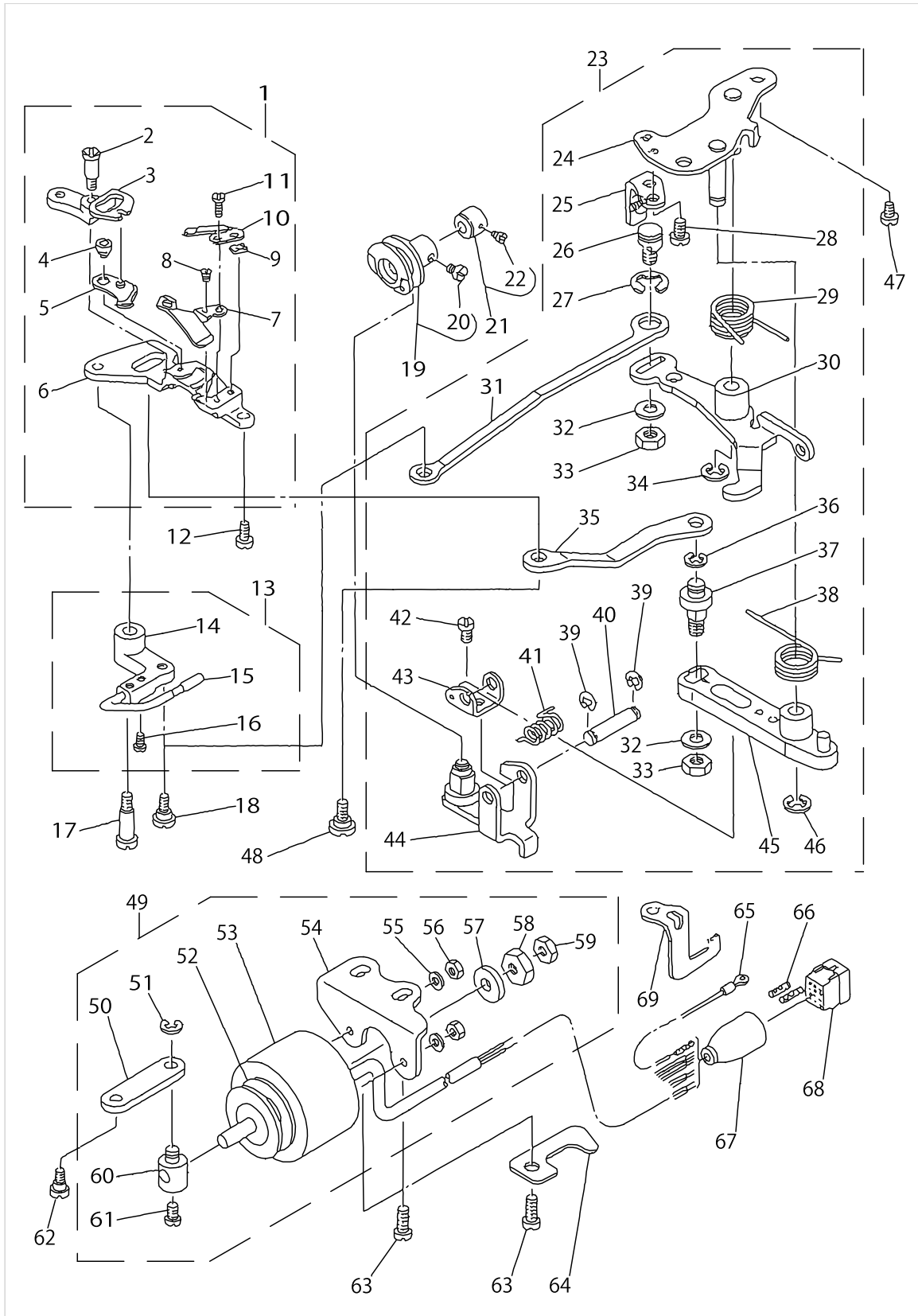
THREAD TRIMMER COMPONENTS



THREAD TRIMMER COMPONENTS

No.	Parts No.	Parts name	Remarks	Level	Cons	Qty
1	11040359	KNIFE UNIT				1
2	SD0460702TP	HINGE SCREW D=4.6 H=7		*		1
3	11040508	FORKED BASE FOR KNIFE		*		1
4	11040409	MOVING KNIFE HINGE SCREW		*		1
5	11040052	MOVING KNIFE ASM.		*		1
6	11040300	KNIFE MOUNTING BASE		*		1
7	11040201	THREAD GUIDE FOR KNIFE		*		1
8	SS2060210SP	SCREW 3/32-56 L=2.3		*		1
9	D2404555B00	COUNTER KNIFE SPACER		*		1
10	D2406555D0H	COUNTER KNIFE		*		1
11	SS4080620TP	SCREW 1/8-44 L=6		*		2
12	SS4110715SP	SCREW 11/64-40 L=7				1
13	11042553	PICKER ARM ASM.				1
14	11042504	PICKER ARM		*		1
15	11042652	THREAD TAKE-UP PICKER ASM.		*		1
16	SS6090510SP	SCREW 9/64-40 L=5		*		2
17	SD0641451SP	HINGE SCREW D= 6.35 H=14.5				1
18	SD0630275SP	HINGE SCREW D= 6.35 H= 2.7				1
19	11042850	THREAD TRIMMER CAM ASM.				1
20	SS6660610TP	SCREW 1/4-40 L=6		*		2
21	11042959	CAM COLLAR ASM.				1
22	SS8110520TP	SCREW 11/64-40 L= 4.5		*		1
23	11042264	THREAD TRIMMER DRIVING UNIT				1
24	11042058	BASE PLATE ASM.		*		1
25	11042751	DRIVING ARM STOPPER ASM.		*		1
26	11042306	PICKER LINK PIN		*		1
27	RE0800000K0	E-SHAPED SNAP RING (8MM)		*		1
28	SS4110715SP	SCREW 11/64-40 L=7		*		2
29	11041704	CLUTCH SPRING		*		1
30	11041852	CLUTCH PLATE ASM.		*		1
31	11042405	PICKER LINK		*		1
32	WP0621016SH	WASHER		*		2
33	NS6150430SP	NUT 15/64-28		*		2
34	RE0600000K0	E-SHAPED SNAP RING (6MM)		*		1
35	11040607	MOVING KNIFE LINK		*		1
36	RE0500000K0	E-RING		*		1
37	11040706	MOVING KNIFE LINK PIN		*		1
38	11043700	KNIFE RETURN SPRING, B		*		1
39	RE0400000K0	E-SHAPED SNAP RING (4MM)		*		2
40	11041407	ROLLER FULCRUM SHAFT		*		1
41	11041506	ROLLER RETURN SPRING		*		1
42	SS7090610SP	SCREW 9/64-40 L=6		*		1
43	11041308	ROLLER ARM BRACKET		*		1
44	11040953	ROLLER ARM ASM.		*		1
45	11040854	KNIFE DRIVING ARM ASM.		*		1
46	RE0600000K0	E-SHAPED SNAP RING (6MM)		*		1
47	SS4150915SP	SCREW 15/64-28 L=9				2

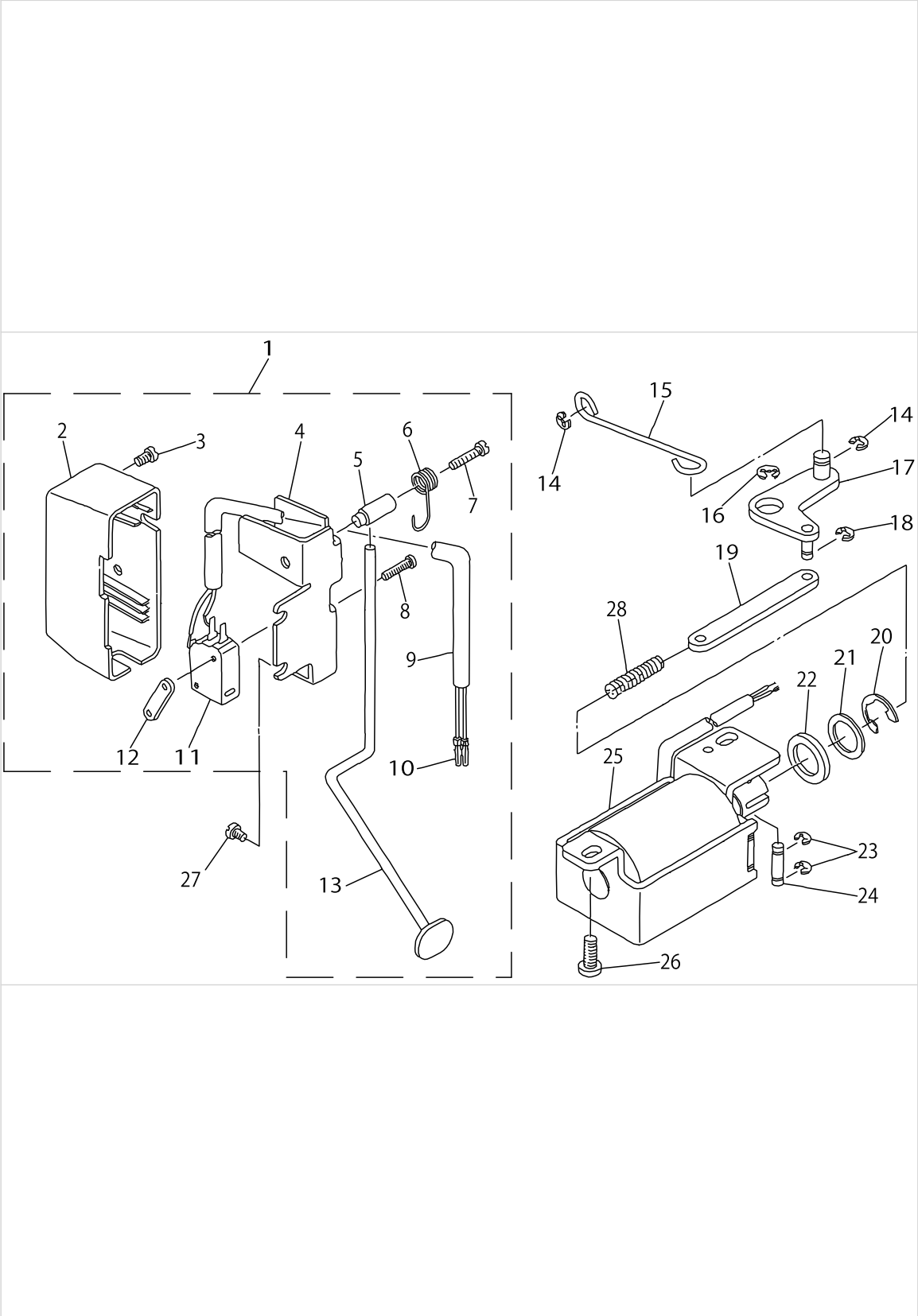
THREAD TRIMMER COMPONENTS



THREAD TRIMMER COMPONENTS

No.	Parts No.	Parts name	Remarks	Level	Cons	Qty
48	SD0640702TH	HINGE SCREW				1
49	11043353	SOLENOID UNIT				1
50	11042207	CLUTCH LINK		*		1
51	RE0500000K0	E-RING		*		1
52	11043205	SOLENOID RUBBER A		*		1
53	11043106	THREAD TRIMMER SOLENOID		*		1
54	11043403	SOLENOID BASE		*		1
55	WP0450000SD	WASHER 4.5X8X0.5		*		2
56	NM6040000SN	NUT M4		*		2
57	11043304	SOLENOID RUBBER		*		1
58	NS6660410SH	NUT		*		1
59	NS6660430SP	NUT 1/4-40		*		1
60	11043007	SOLENOID PIN		*		1
61	SS6110710TP	SCREW 11/64-40 L= 6.5		*		1
62	SD0600361SP	HINGE SCREW				1
63	SS4151215SP	SCREW				2
64	11021706	TUBE HOLDER (LOWER)				1
65	11043551	GROUND WIRE ASM.				1
66	D6043555B00	PIN TERMINAL, MALE				2
67	M9637110000	12-POLE PLUG COVER				1
68	M9640110000	12-POLE PLUG				1
69	11095304	THREAD TRIMMER ADJUSTING PLATE				1

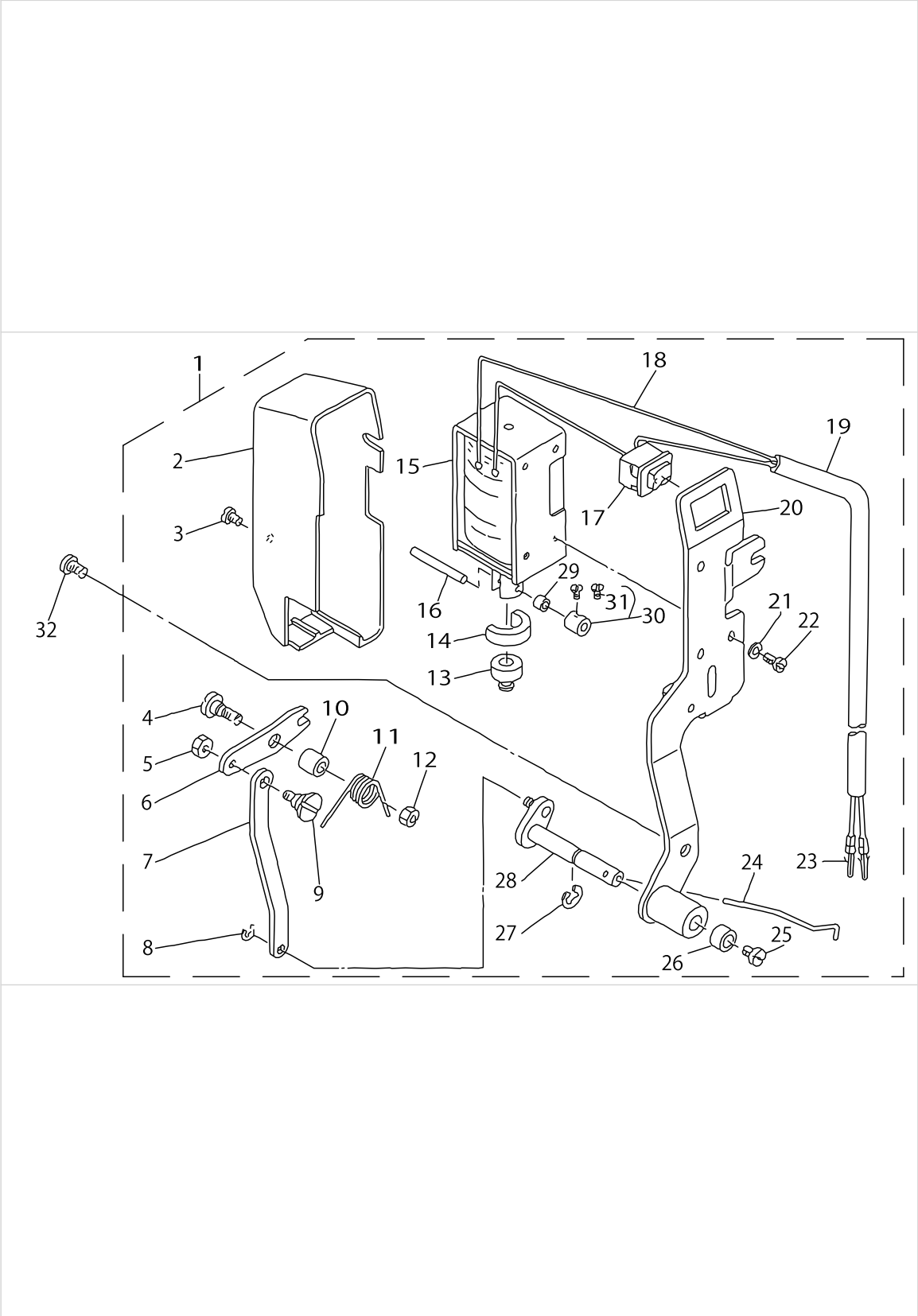
AUTOMATIC REVERSE FEED COMPONENTS



AUTOMATIC REVERSE FEED COMPONENTS

No.	Parts No.	Parts name	Remarks	Level	Cons	Qty
1	11072550	REVERSE FEED SWITCH ASM.				1
2	11072501	REVERSE FEED SWITCH COVER		*		1
3	SS4110615SP	SCREW 11/64-40 L=6		*		1
4	11102001	REVERSE FEED SWITCH BASE		*		1
5	11102100	REVERSE FEED SWITCH SHAFT		*		1
6	11102209	REVERSE FEED SWITCH SPRING		*		1
7	SS4111815SP	SCREW		*		1
8	SM4031501SC	SCREW		*		2
9	HW500070000	2-CORE CABTYRE CORD		*		1.5
10	D6043555B00	PIN TERMINAL, MALE		*		2
11	HA001700000	MICROSWITCH		*		1
12	11102308	REVERSE FEED SWITCH PLATE		*		1
13	11072600	REVERSE FEED SWITCH LEVER		*		1
14	RE0500000K0	E-RING				2
15	11101300	REVERSE FEED CONNECTING SHAFT				1
16	RE0900000K0	SNAP RING 9.0				1
17	11101151	CONNECTING ARM ASM.				1
18	RE0400000K0	E-SHAPED SNAP RING (4MM)				1
19	11101417	REVERSE FEED CONNECTING LINK				1
20	RE1200000K0	SNAP RING 12				1
21	WP1602616SZ	WASHER 16X24X2.6				1
22	D2468555B00	RUBBER PLUNGER				1
23	RE0400000K0	E-SHAPED SNAP RING (4MM)				1
24	11101003	PLUNGER ARM PIN				1
25	11100757	REVERSE FEED MAGNET ASM.				1
26	SS4151215SP	SCREW				1
27	SS4120915SP	SCREW 3/16-28 L=9				2
28	11217601	WALKING FOOT SPRING				1

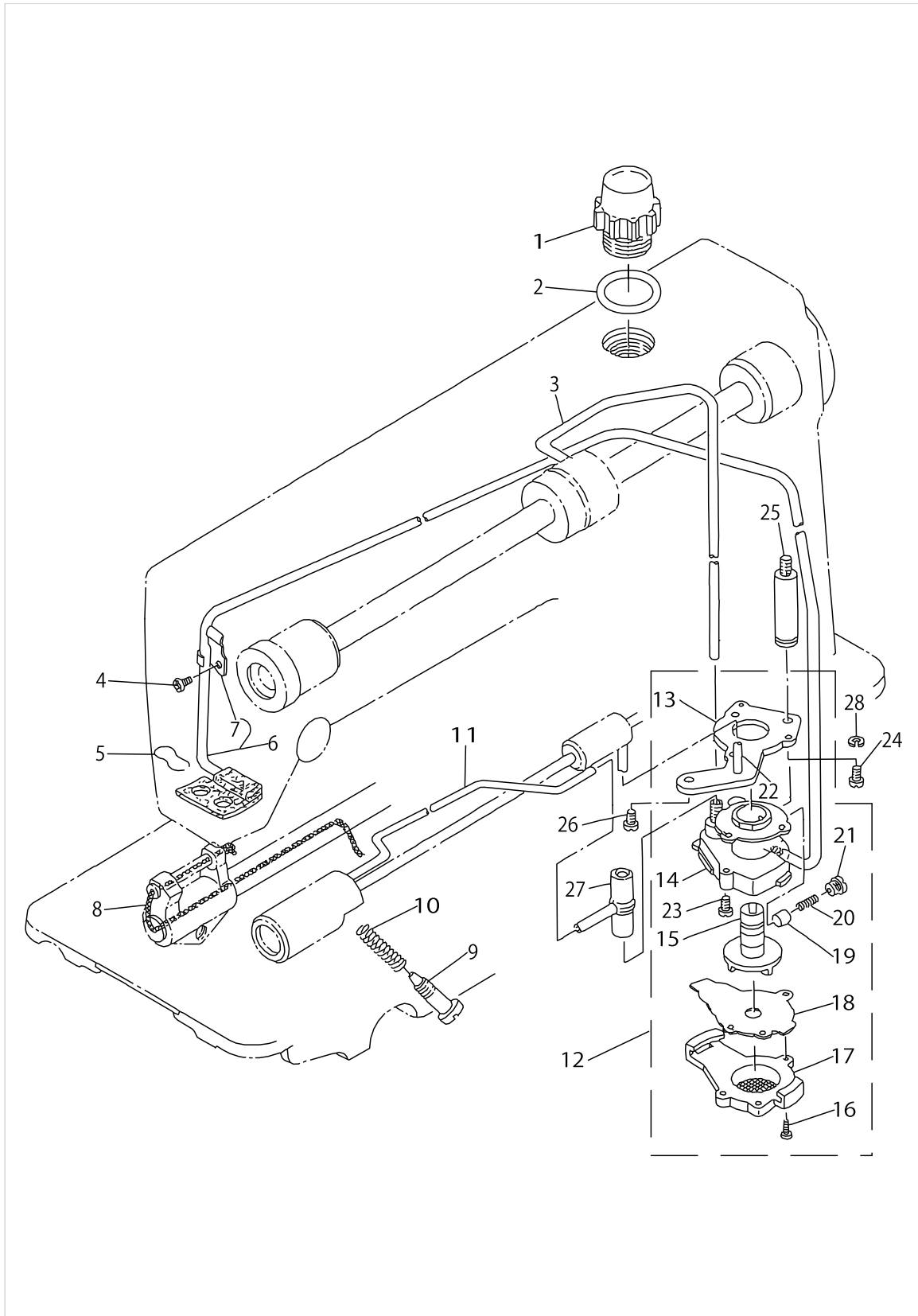
WIPER COMPONENTS



WIPER COMPONENTS

No.	Parts No.	Parts name	Remarks	Level	Cons	Qty
1	11072758	WIPER SOLENOID ASM.				1
2	11072709	WIPER COVER		*		1
3	SM4030601SN	SCREW M3 X 6		*		1
4	SD0650321TP	HINGE SCREW		*		1
5	NS6090310SP	NUT 9/64-40		*		1
6	11110608	WIPER LINK A		*		1
7	11110905	CONNECTING LINK		*		1
8	RE0250000K0	E-SHAPED SNAP RING (2.5MM)		*		1
9	11111507	WIPER LINK B, HINGE SCREW		*		1
10	11110707	WIPER HINGE SCREW COLLAR		*		1
11	11110806	WIPER SPRING		*		1
12	NS6110310SP	NUT 11/64-40		*		1
13	11110400	WIPER RUBBER A		*		1
14	11110509	WIPER RUBBER B		*		1
15	11110301	WIPER SOLENOID		*		1
16	11111705	WIPER SOLENOID PIN		*		2
17	HA000590000	POWER SWITCH		*		1
18	HW200390000	ELECTRIC WIRE		*		1
19	HW500070000	2-CORE CABTYRE CORD		*		1.5
20	11110152	WIPER BASE ASM.		*		1
21	WS0310002KN	SPRING WASHER M3		*		1
22	SM4030601SN	SCREW M3 X 6		*		3
23	D6043555B00	PIN TERMINAL, MALE		*		2
24	11111606	WIPER		*		1
25	SS6090540SP	SCREW 9/64-40 L= 5.0		*		1
26	11111309	BRACKET INSTALLING COLLAR		*		1
27	RE0500000K0	E-RING		*		1
28	11111051	WIPER DRIVING SHAFT ASM.		*		1
29	11111804	WIPER LINK COLLAR		*		1
30	CS030071ASP	THRUST COLLAR ASM.		*		1
31	SS6080310SP	SCREW 1/8-44 L= 2.5		*		2
32	SS4120915SP	SCREW 3/16-28 L=9		*		2

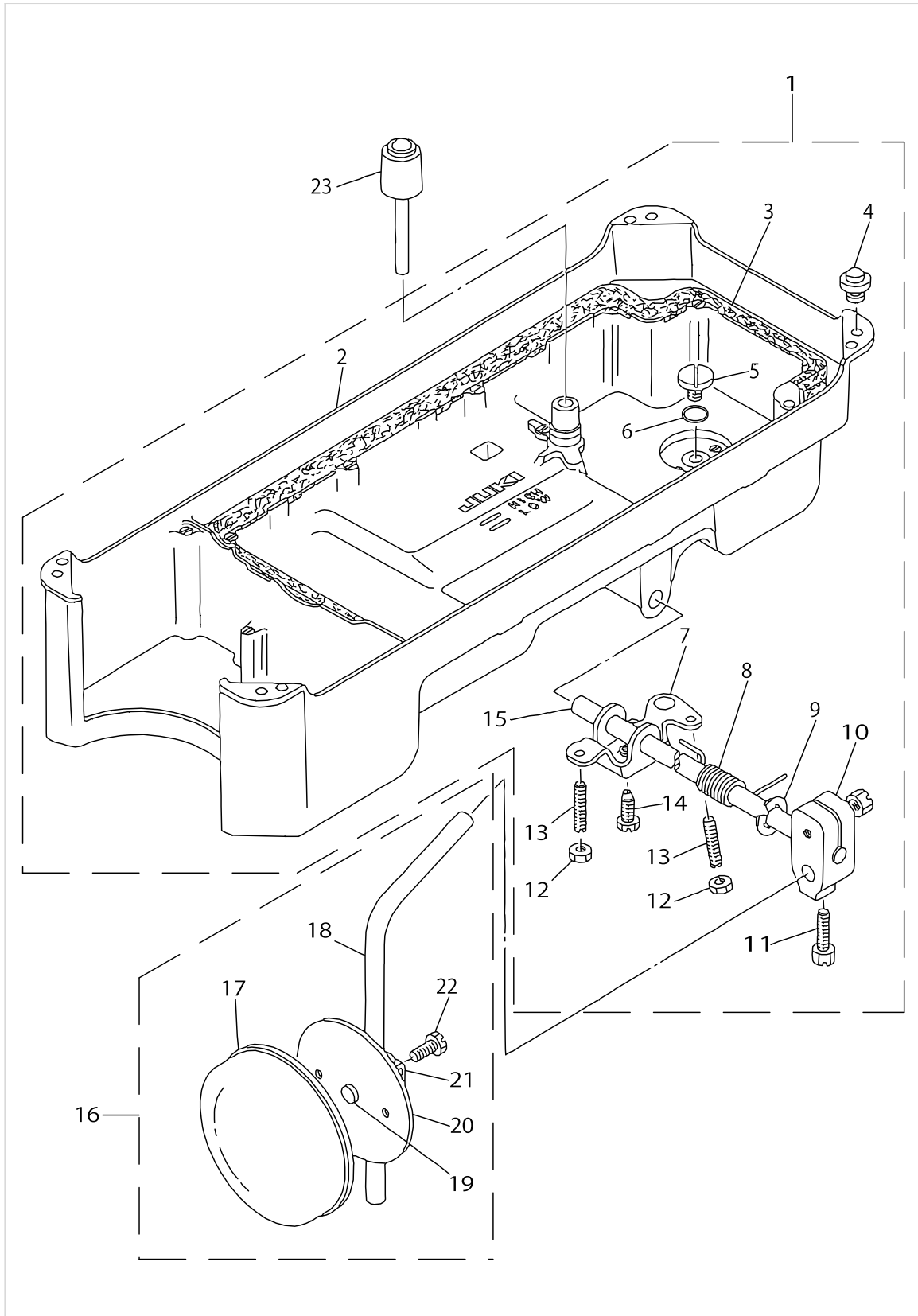
OIL LUBRICATION COMPONENTS



OIL LUBRICATION COMPONENTS

No.	Parts No.	Parts name	Remarks	Level	Cons	Qty
1	11046505	OIL SIGHT WINDOW				1
2	RO195240100	RUBBER RING				1
3	11021201	MAIN SHAFT OIL TUBE				1
4	SS4120615SP	SCREW 3/16-28 L=6				1
5	B3529226000	OIL FELT PRESSER				1
6	11021151	OIL RETURN TUBE ASM.				1
7	11021805	OIL RETURN TUBE HOLDER		*		1
8	CQ252000000	OIL WICK				0.3
9	B3514412000	OIL ADJUSTING SCREW				1
10	B2616372000	SPRING				1
11	11021300	OIL TUBE				1
12	11020054	LUBRICATING OIL PUMP ASM.				1
13	11020302	OIL PUMP INSTALLING BASE		*		1
14	11020005	OIL PUMP		*		1
15	11020708	OIL PUMP IMPELLER		*		1
16	SE4301041SR	SCREW		*		3
17	11020203	LUBRICATING OIL PUMP COVER		*		1
18	11020807	OIL PUMP IMPELLER COVER		*		1
19	11020401	PLUNGER		*		1
20	11020609	PLUNGER SPRING		*		1
21	11020500	PLUNGER SCREW		*		1
22	11020906	HOOK DRIVING SHAFT OIL TUBE		*		1
23	SL4030851SF	SCREW M3 L=8		*		3
24	SS6111010TP	SCREW 11/64-40 L= 9.5				1
25	11100609	OIL PUMP SUPPORT				1
26	SS4150915SP	SCREW 15/64-28 L=9				1
27	11021409	RUBBER JOINT				1
28	WS0451040KP	SPRING WASHER 4.5X8.5X1				1

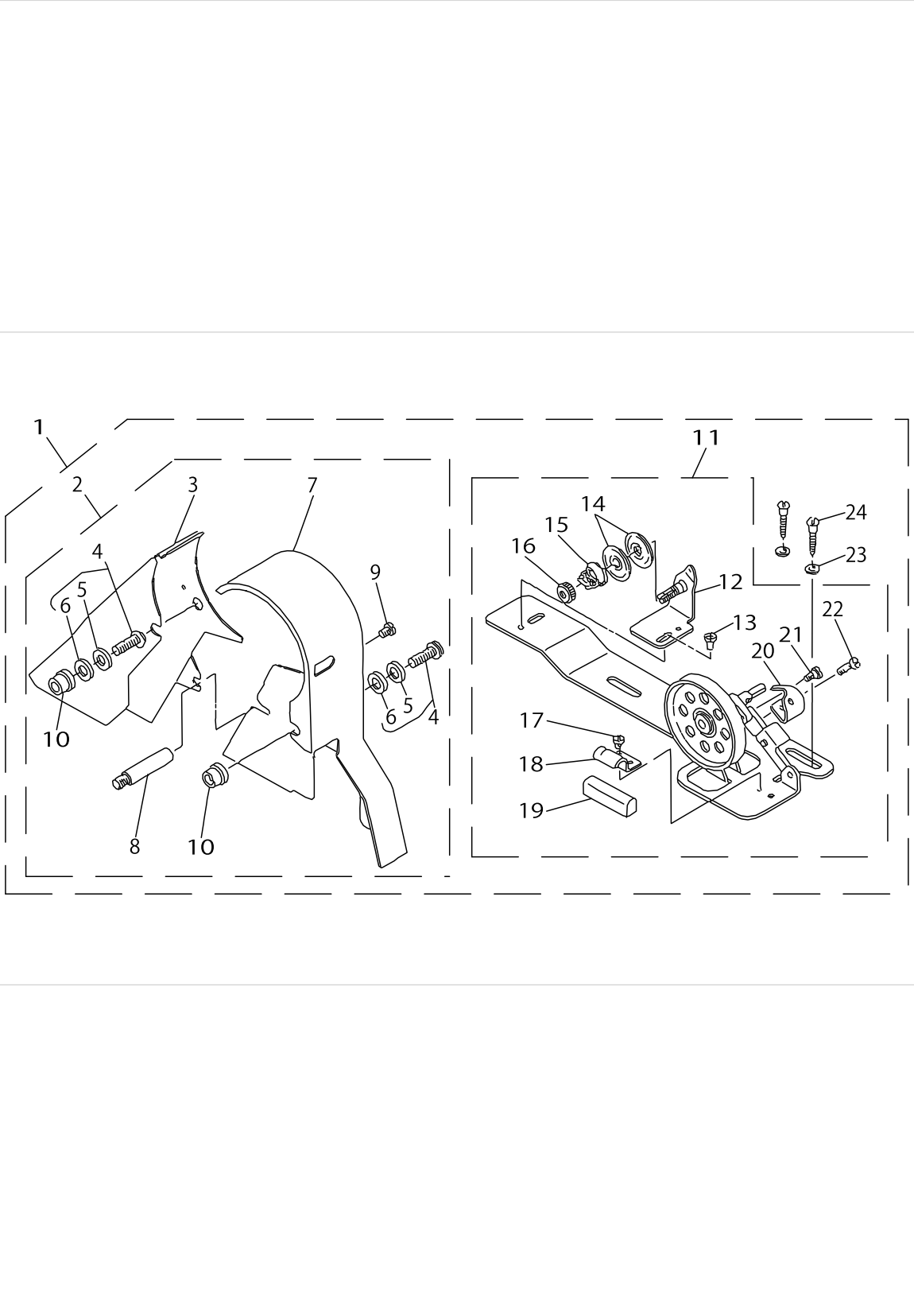
OIL RESERVOIR COMPONENTS



OIL RESERVOIR COMPONENTS

No.	Parts No.	Parts name	Remarks	Level	Cons	Qty
1	11047057	OIL RESERVOIR ASM.				1
2	11023017	OIL RESERVOIR		*		1
3	11024700	GASKET		*		1
4	11047107	RUBBER CUSHION		*		4
5	SS6700710SH	SCREW		*		1
6	RO098240100	RUBBER RING		*		1
7	11024007	CONNECTING ROD, VERTICAL		*		1
8	11024106	SPRING		*		1
9	RE1000000K0	E-RING		*		1
10	11024502	KNEE PRESS LOD BEARING BRACKET		*		1
11	SS9182010SN	SCREW 9/32-20 L=20		*		2
12	NS6150430SR	NUT 15/64-28		*		2
13	SS8153010SR	SCREW 15/64-28 L=30		*		1
14	SS9151610SR	SCREW 15/64-28 L=16		*		1
15	11024205	KNEE PRESS ROD		*		1
16	11023751	KNEE PRESS PLATE ASM.				1
17	B3431552000A	KNEE PRESS PLATE COVER		*		1
18	B3419122000	KNEE LIFTER PLATE ROD		*		1
19	11024403	RUBBER		*		1
20	11023702	KNEE PRESS PLATE		*		1
21	11023801	KNEE PRESS PLATE HOLDER		*		1
22	SS9151540SR	SCREW 15/64-28 L=15		*		1
23	11024304	KNEE PRESS LIFTER ROD				1

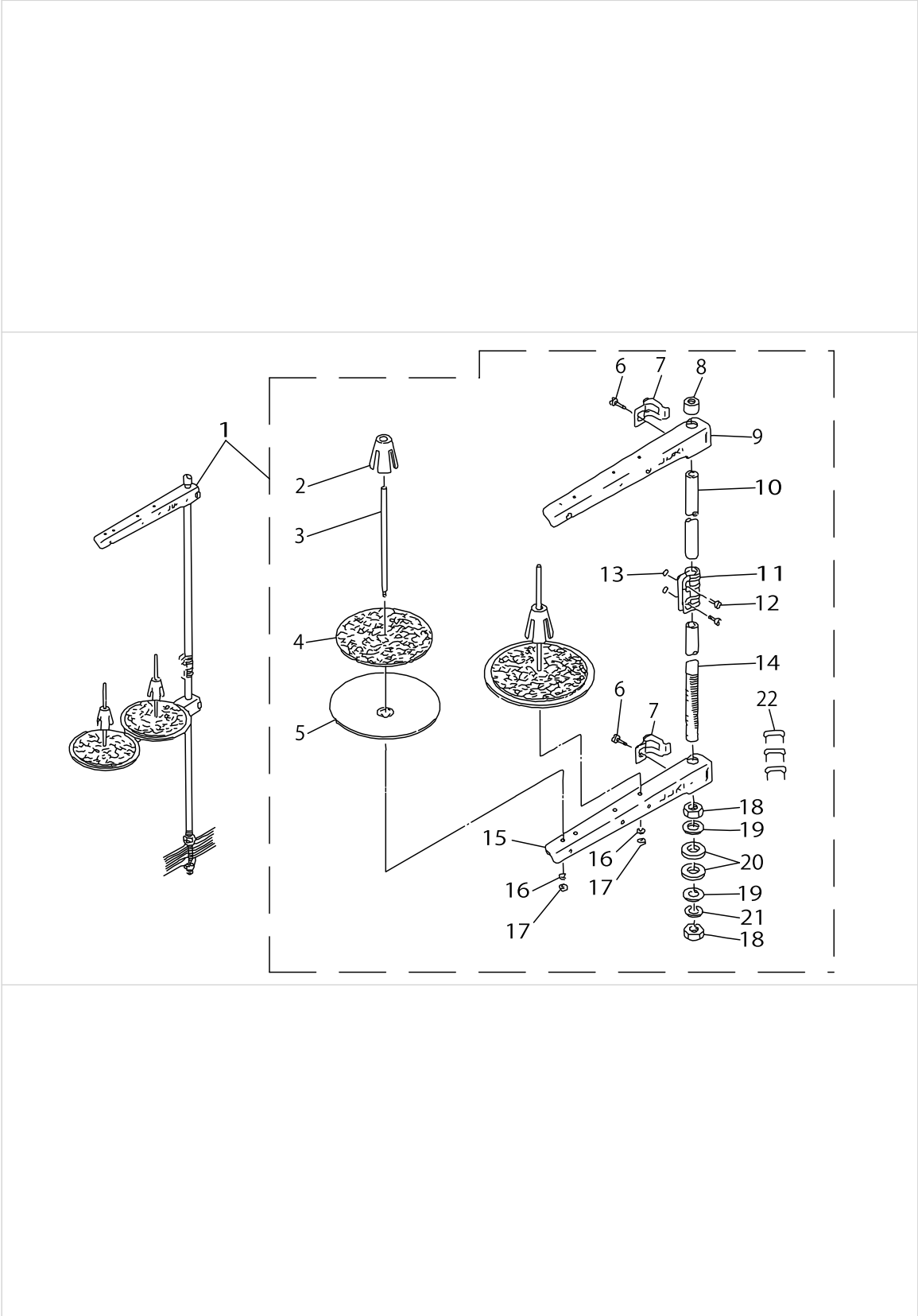
BELT COVER & BOBBIN WINDER COMPONENTS



BELT COVER & BOBBIN WINDER COMPONENTS

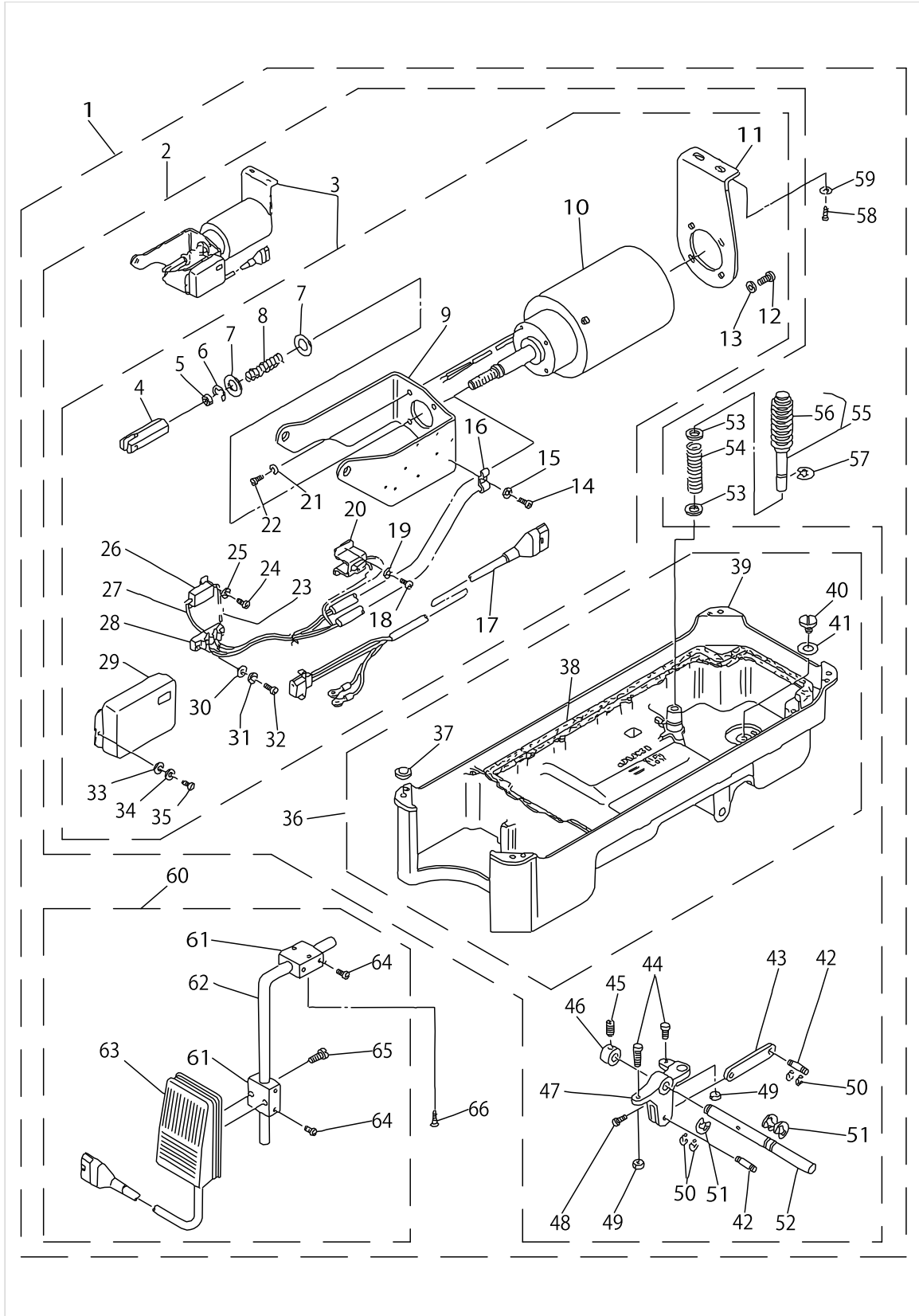
No.	Parts No.	Parts name	Remarks	Level	Cons	Qty
1	11072964	BELT COVER SPOOL ASM.				1
2	11072956	BELT COVER ASM.		*		1
3	11072907	BELT COVER, A		*		1
4	11047354	BELT COVER SET SCREW ASM.		*		2
5	WP0820526SD	WASHER 8.2X14X0.5		*		2
6	11047305	BELT COVER RUBBER CUSHION		*		2
7	11073004	BELT COVER, B		*		1
8	11023504	BELT COVER SUPPORT		*		1
9	SS7120640SP	SCREW 3/16-28 L=6		*		1
10	11047255	BELT COVER COLLAR ASM.		*		2
11	D3201555DA0	BOBBIN WINDER ASM.		*		1
12	D3213555DA0	THREAD TENSION BRACKET ASM.		*		1
13	SS4110815SP	SCREW 11/64-40 L=8		*		1
14	B3126012000	THREAD TENSION DISK		*		2
15	B3129012B00	THREAD TENSION SPRING		*		1
16	B3125012000	THREAD TENSION NUT		*		1
17	SS7110350SP	SCREW 11/64-40 L=3		*		1
18	B3212555000	PRESSER PLATE		*		1
19	B3211555000	RUBBER BRAKE		*		1
20	B3209555000	POSITIONING FINGER		*		1
21	SD0490261SP	HINGE SCREW D=4.9 H=2.6		*		1
22	SS7081310SP	SCREW 1/8-44 L=12.5		*		1
23	WP0501016SC	WASHER 5X10.5X1		*		2
24	SK3482500SC	WOOD SCREW D=4.8 L=25		*		2

THREAD STAND COMPONENTS

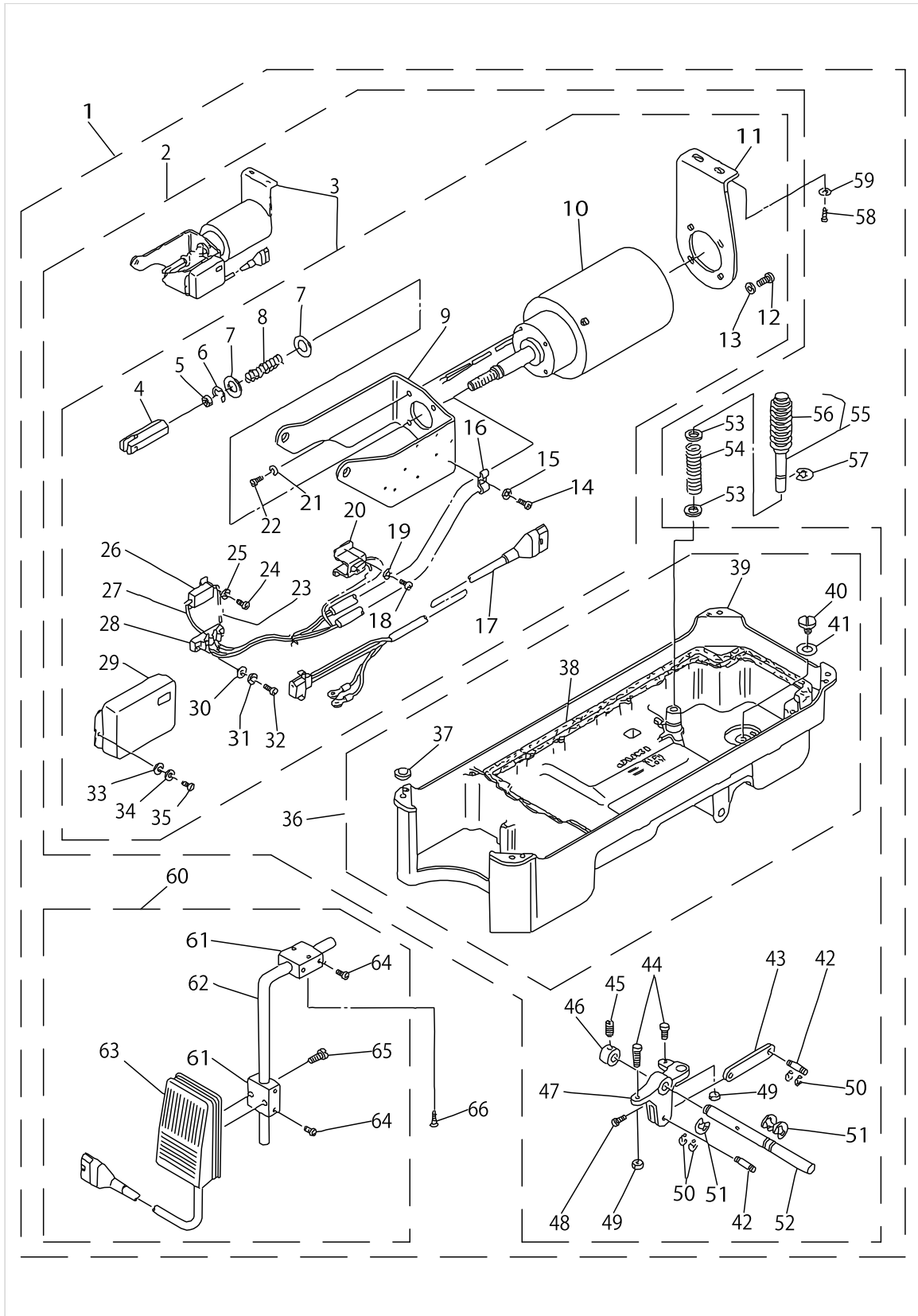


THREAD STAND COMPONENTS

No.	Parts No.	Parts name	Remarks	Level	Cons	Qty
1	11183654	THREAD STAND ASM.				1
2	11184009	SPOOL RETAINER		*		2
3	B3320704L00A	SPOOL PIN		*		2
4	B3311012000	SPOOL REST CUSHION		*		2
5	11183902	SPOOL REST		*		2
6	SM6061610SC	SCREW M6 L=16		*		2
7	11184306	THRED GUIDE ARM JOINT		*		2
8	11184108	SPOOL REST ROD RUBBER CAP		*		1
9	11181757	THREAD GUIDE ASM.		*		1
10	11183704	SPOOL REST ROD, UPPER		*		1
11	11184207	SPOOL REST ROD JOINT		*		1
12	SM4051405SE	SCREW M5X0.8 L=14		*		2
13	NM6050001SE	NUT M5X0.8		*		2
14	11183605	SPOOL REST ROD, LOWER		*		1
15	11183803	SPOOL REST ARM		*		1
16	WS0510002KN	SPRING WASHER		*		2
17	NM6050001SE	NUT M5X0.8		*		2
18	B3317704000	NUT C15		*		2
19	WP1702600S0	WASHER 17X30X2.6		*		2
20	D3310555D00	RUBBER WASHER		*		2
21	WS1643202KR	SPRING WASHER		*		1
22	MAO11532000	CORD STAPLE		*		3



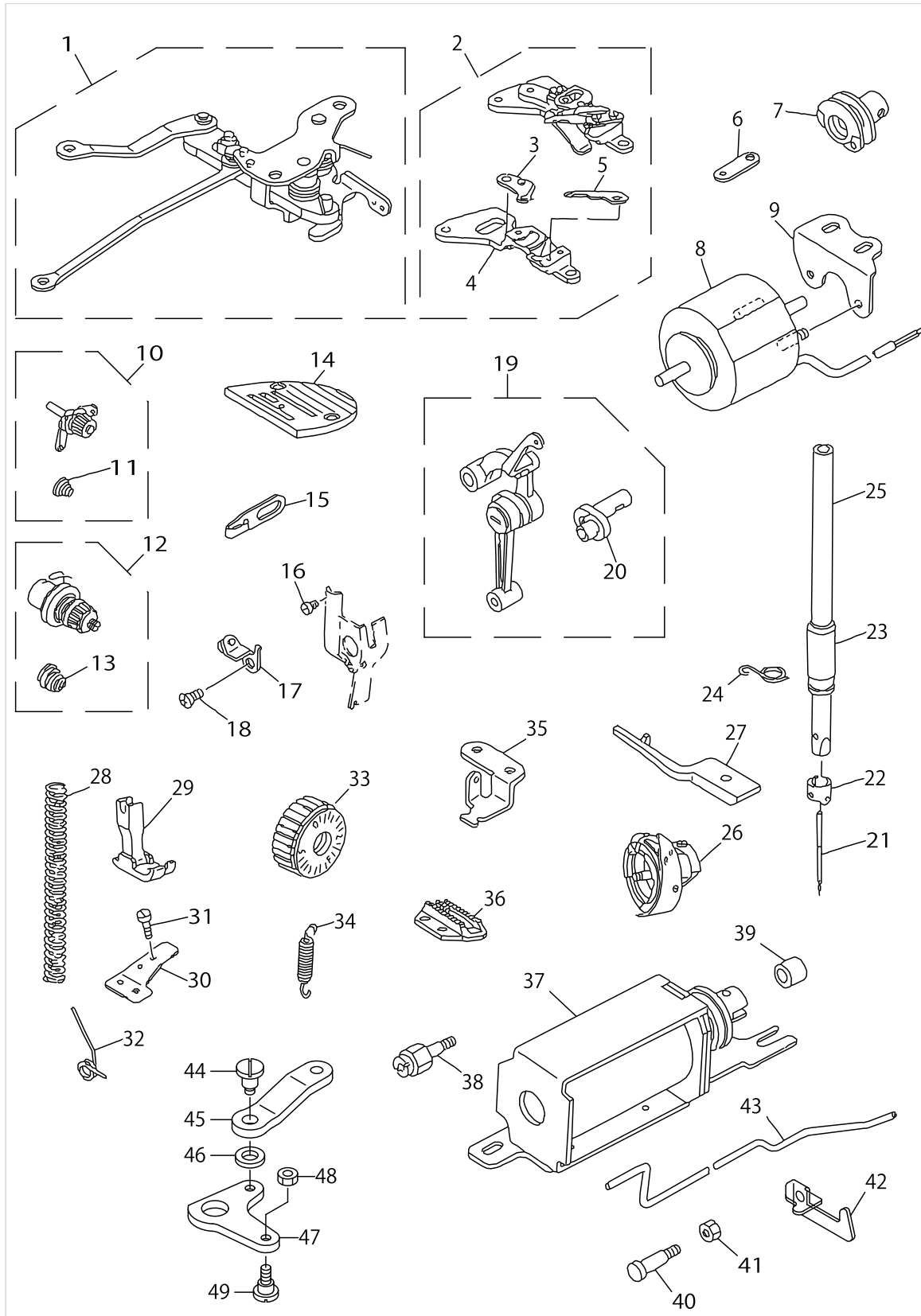
No.	Parts No.	Parts name	Remarks	Level	Cons	Qty
1	GAK300060D0	PRESSER LIFTING SOLENOID ASM.				1
2	GAK300060B0	OIL RESERVOIR ASM.		*		1
3	GAK300070B0	PRESSER LIFTING SOLENOID ASM.		*		1
4	GAK01019000	KNUCLE		*		1
5	NM6100663SE	NUT M10		*		1
6	RE1200000K0	SNAP RING 12		*		1
7	GAK01018000	THRUST WASHER		*		2
8	GAK30013000	SPRING		*		1
9	GAK30012000	SOLENOID INSTALLING BRACKET, B		*		1
10	GAK300070A0	PRESSER LIFTING SOLENOID ASM.		*		1
11	GAK30011000	SOLENOID INSTALLING BRACKET A		*		1
12	SM4051001SB	SCREW M5X0.8 L=10		*		4
13	WS0511302KB	SPRING WASHER M5		*		4
14	SM4030801SB	SCREW M3 L=8		*		1
15	WS0310702KS	SPRING WASHER		*		1
16	GAK01016000	CORD HOLDER		*		1
17	GAK020210A0	PRESSER LIFTING CORD ASM.		*		1
18	SM4030801SB	SCREW M3 L=8		*		2
19	WS0310702KS	SPRING WASHER		*		2
20	GAK01014000	2-POLE RECEPTACLE BASE		*		1
21	WS0511302KB	SPRING WASHER M5		*		4
22	SM4051001SB	SCREW M5X0.8 L=10		*		4
23	HG26740147P	DIODE IN5625		*		1
24	SM4030801SB	SCREW M3 L=8		*		2
25	WS0310702KS	SPRING WASHER		*		2
26	HR003601000	RESISTOR 10 OHM 20W		*		1
27	HW2F18S1212	STRANDED WIRE, RED		*		0.1
28	GAK01015000	2P TERMINAL BASE		*		1
29	GAK30016000	COVER		*		1
30	WP0330501SB	WASHER M3		*		2
31	WS0310702KS	SPRING WASHER		*		2
32	SM4031401SB	SCREW M3 L=14		*		2
33	WP0330500MB	WASHER 3.3X6X0.5		*		2
34	WS0310702KS	SPRING WASHER		*		2
35	SM4030801SB	SCREW M3 L=8		*		2
36	GAK300060A0	OIL RESERVOIR ASM.		*		1
37	11047107	RUBBER CUSHION		*		4
38	11023108	GASKET		*		1
39	GAK30006000	OIL RESERVOIR		*		1
40	SS6700710SH	SCREW		*		1
41	RO098240100	RUBBER RING		*		1
42	MAO12002000	PEDAL SWITCH FRAME STUD		*		2
43	GAK01004000	LEVER CONNECTING ROD		*		1
44	GAK01003B00	PRESSER LIFTER STOPPER B		*		2
45	SS8660530TP	SCREW 1/4-40 L= 4.5		*		2
46	CS1111019SH	THRUST COLLAR D=11.11 W=10		*		1
47	GAK30015000	PRESSER LIFTING LEVER		*		1



AK-30

No.	Parts No.	Parts name	Remarks	Level	Cons	Qty
48	SS7151210SP	SCREW 15/64-28 L=12		*		1
49	NM6060003SC	NUT M6		*		2
50	RE0320000K0	SNAP RING 3.2		*		4
51	RE1000000K0	E-RING		*		3
52	GAK30014000	PRESSER LIFTING SHAFT		*		1
53	WP0621016SD	WASHER 6.2X13X1		*		2
54	GAK30005000	SPRING		*		1
55	GAK300010B0	KNEE PRESS LIFTER ROD ASM.		*		1
56	GAK30004000	KNEE PRESS LIFTER ROD		*		1
57	RE0400000K0	E-SHAPED SNAP RING (4MM)		*		1
58	SK3514000SC	WOOD SCREW D=5.1 L=40		*		2
59	WP0570716SE	WASHER		*		2
60	GAK010220B0	LIFTER KNEE SWITCH ASM. B		*		1
61	MAT80230T00	KNEE SWITCH SUPPORT BASE		*		2
62	MAT80231T00	DRIVING BAR, T002		*		1
63	GAK010220A0	KNEE SWITCH ASM.		*		1
64	SS6151220SP	SCREW 15/64-28 L=11.5		*		4
65	SS7111410SP	SCREW 11/64-40 L=14		*		2
66	SK3514000SC	WOOD SCREW D=5.1 L=40		*		2

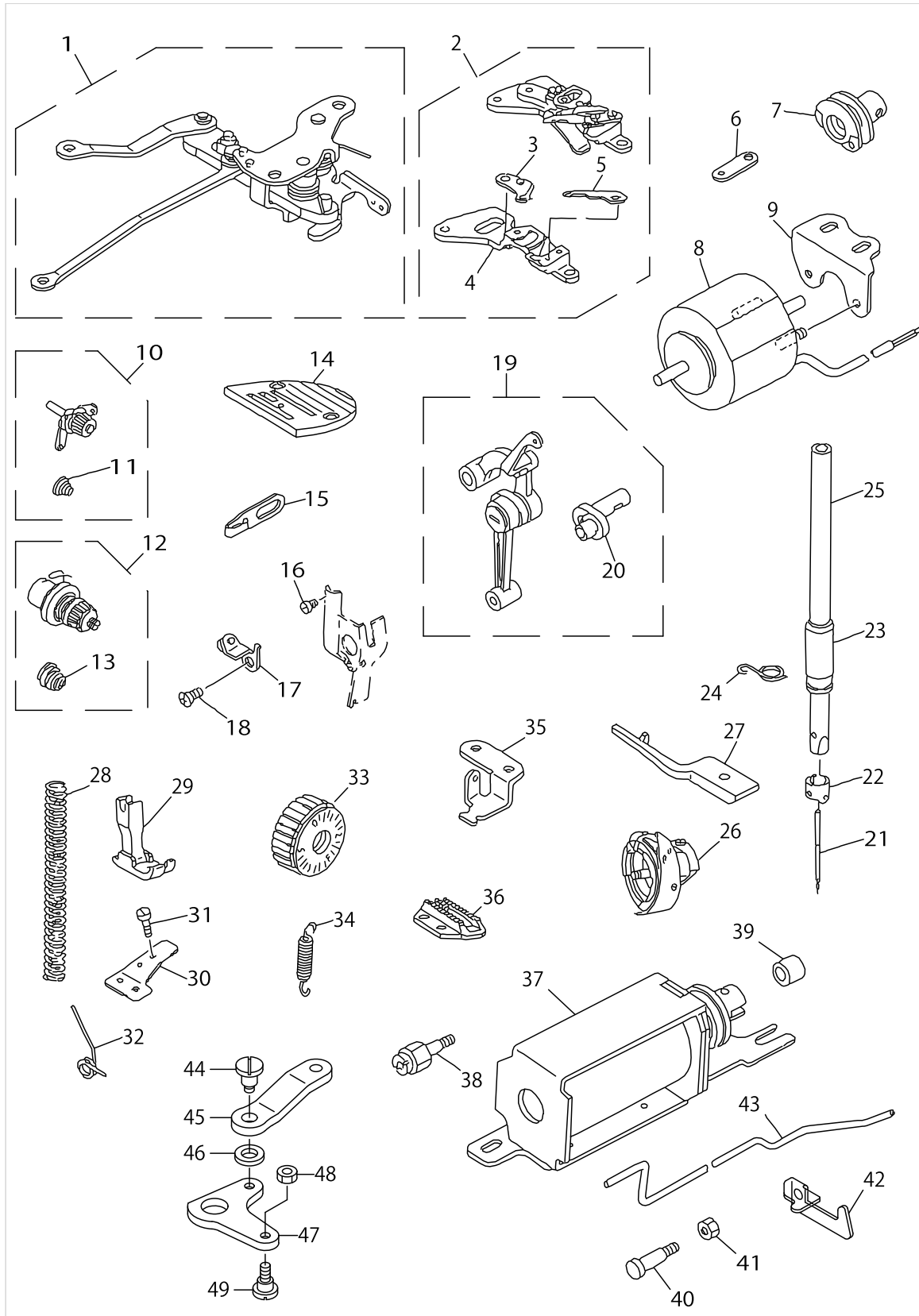
EXCLUSIVE PARTS FOR DDL-5570N-H



EXCLUSIVE PARTS FOR DDL-5570N-H

No.	Parts No.	Parts name	Remarks	Level	Cons	Qty
1	11093366	THREAD TRIMMER DRIVING ASM.				1
2	11093168	KNIFE MOUNTING BASE ASM.		*		1
3	11093259	MOVING KNIFE ASM.		*		1
4	11093101	KNIFE MOUNTING BASE		*		1
5	D2407415D00	THREAD GUIDE, LOWER		*		1
6	11094604	CLUTCH LINK				1
7	11094703	THREAD TRIMMER CAM.				1
8	11094851	THREAD TRIMMER SOLENOID				1
9	11094901	SOLENOID BASE				1
10	11073954	THREAD TENSION ASM.				1
11	11093606	THREAD TENSION SPRING		*		1
12	11073657	THREAD TENSION ASM.				1
13	B3114232000	THREAD TENSION SPRING		*		1
14	11074101	THROAT PLATE H				1
15	11091006	ARM THREAD GUIDE (HA)				1
16	SS6080320SP	SCREW 1/8-44 L= 2.5				1
17	11095254	LEVER STOPPER ASM.				1
18	SS1120710SP	SCREW				1
19	11091659	LINK THREAD TAKE-UP LEVER ASM.				1
20	11091600	NEEDLE BAR CRANK H		*		1
21	MDB100B2200	NEEDLE DBX1 #22				1
22	11091501	NEEDLE BAR THREAD GUIDE H				1
23	B1403553000	NEEDLE BAR BUSHING, LOWER				1
24	B1419553000	NEEDLE BAR THREAD GUIDE				1
25	11091303	NEEDLE BAR				1
26	11092251	LUBRICATING BOBBIN ASM.				1
27	11093804	POSITIONING FINGER H				1
28	B1505552000A	PRESSER SPRING				1
29	B1511543BA0	PRESSER FOOT ASM.				1
30	11230901	WIRE PRESSER PLATE, B				1
31	SS7110740TP	SCREW 11/64-40 L=7				1
32	11094000	TENSION RELEASE RETURN SPRING				1
33	11071909	FEED DIAL				1
34	11091204	ADJUST LINK SPRING				1
35	11091907	FEED SPRING HOOK				1
36	B1613555H00	FEED DOG (H)				1
37	11095056	SOLENOID FITTING BASE ASM.				1
38	11231503	OIL PUMP SUPPORT				1
39	11228103	REVERSE FEED BASE COLLAR				1
40	11314408	PLUNGER ARM PIN				1
41	NS6110350SP	NUT 11/64-40				1
42	11228301	TUBE HOLDER, LOWER				1
43	11094109	OIL TUBE				1
44	11101706	HINGE SCREW				1
45	11101607	SOLENOID CONNECTING LINK				1
46	11101904	WASHER				1
47	11101508	REVERSE FEED LINK				1

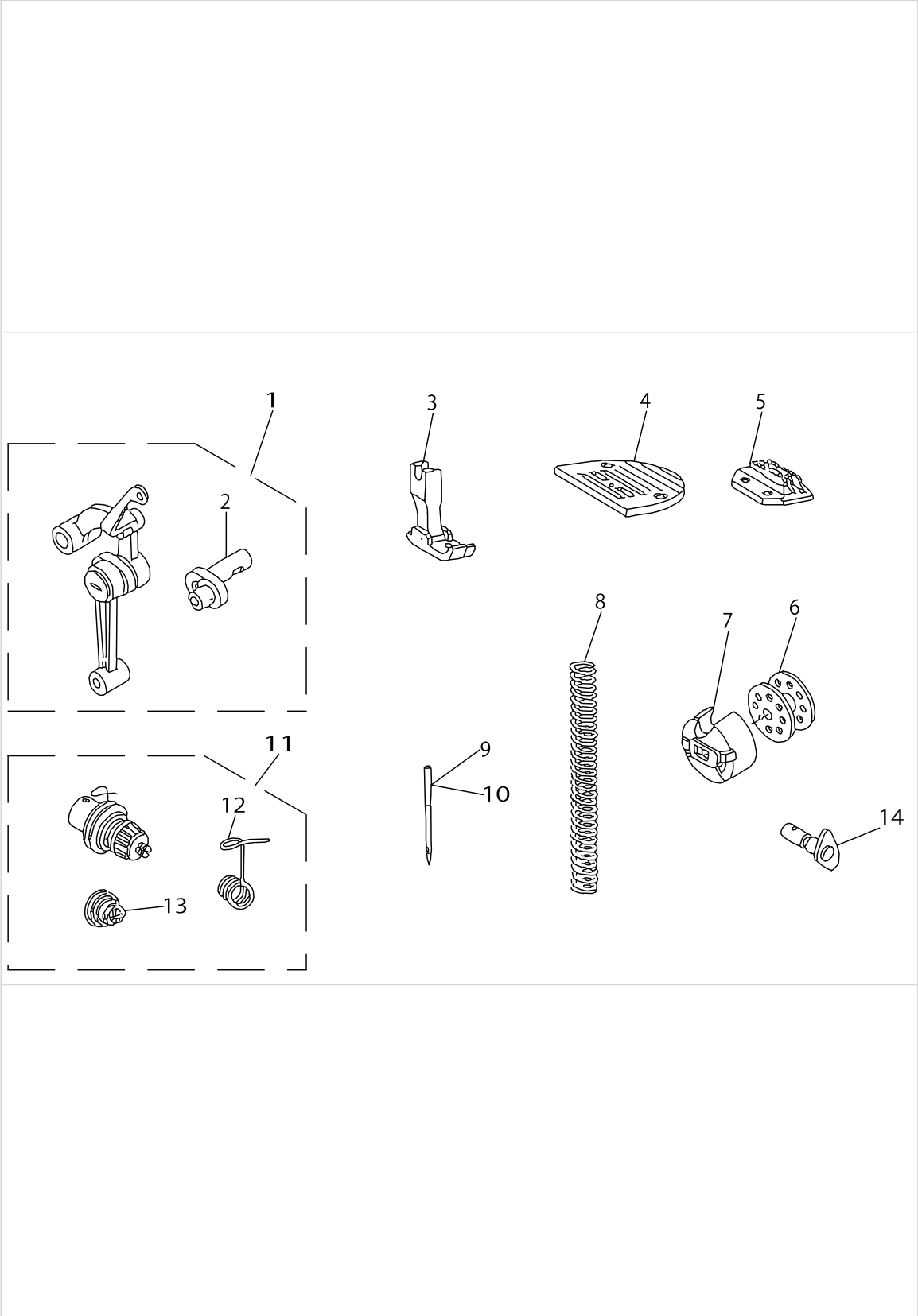
EXCLUSIVE PARTS FOR DDL-5570N-H



EXCLUSIVE PARTS FOR DDL-5570N-H

No.	Parts No.	Parts name	Remarks	Level	Cons	Qty
48	NS6110350SP	NUT 11/64-40				1
49	11101805	HING SCREW				1

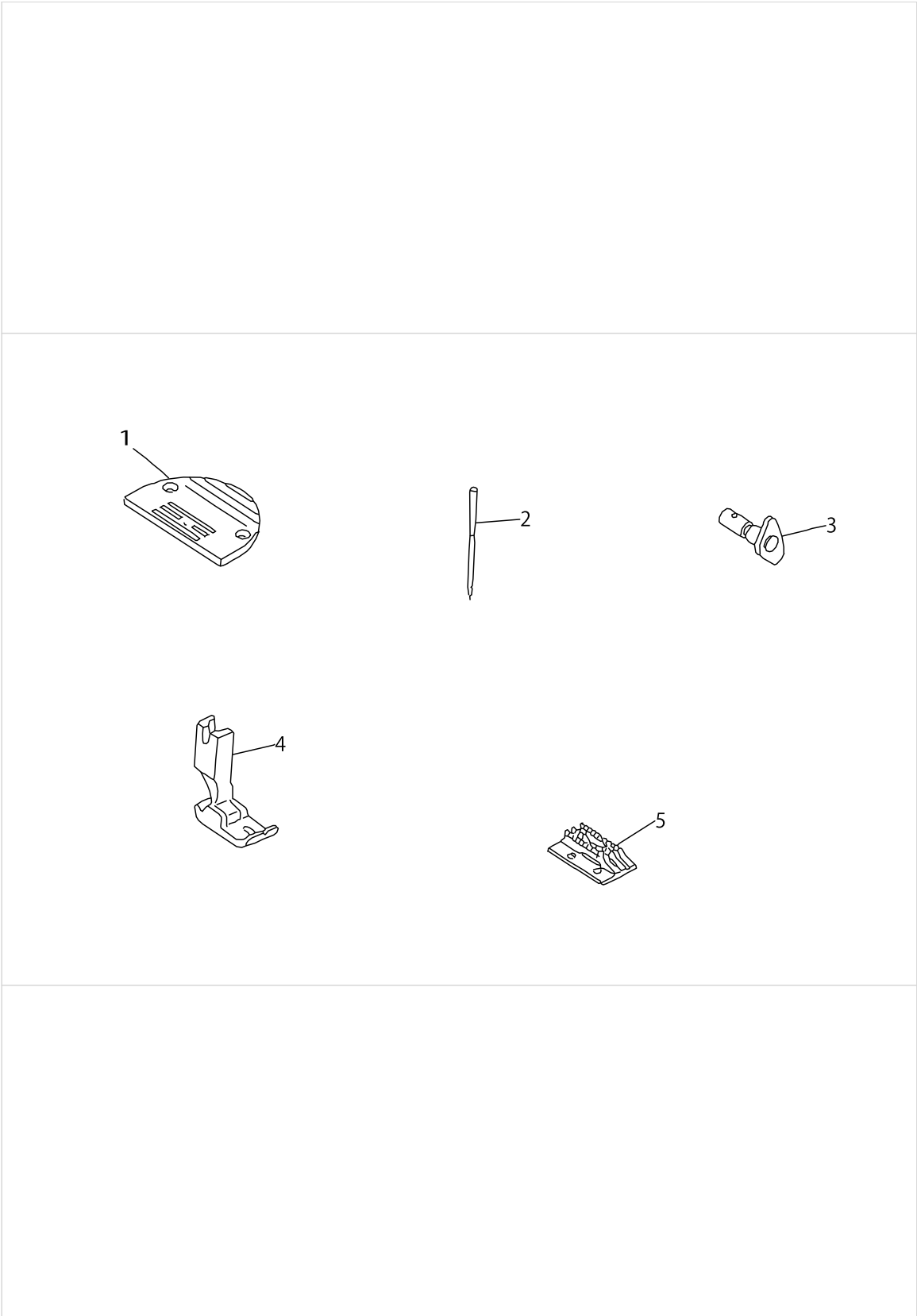
EXCLUSIVE PARTS FOR DDL-5570N-A,5580N-A



EXCLUSIVE PARTS FOR DDL-5570N-A,5580N-A

No.	Parts No.	Parts name	Remarks	Level	Cons	Qty
1	11091857	LINK THREAD TAKE-UP LEVER ASM.				1
2	11091808	NEEDLE BAR CRANK A		*		1
3	D1524555DA0	PRESSER FOOT ASM.				1
4	11074002	THROAT PLATE A				1
5	B1613012I00	FEED DOG I				1
6	B9117552A00	BOBBIN				1
7	B18370120A0	BOBBIN CASE ASM.				1
8	B1505227T00A	PRESSER SPRING T				1
9	MDA100B1100	NEEDLE DAX1 #11				1
10	MDA100B0900	NEEDLE DAX1 #9				1
11	11073756	THREAD TENSION ASM.				1
12	D3128555D00	TAKE-UP SPRING		*		1
13	D3129555D00	THREAD TENSION SPRING				1
14	11092558	HAND LIFTER CAM ASM.				1

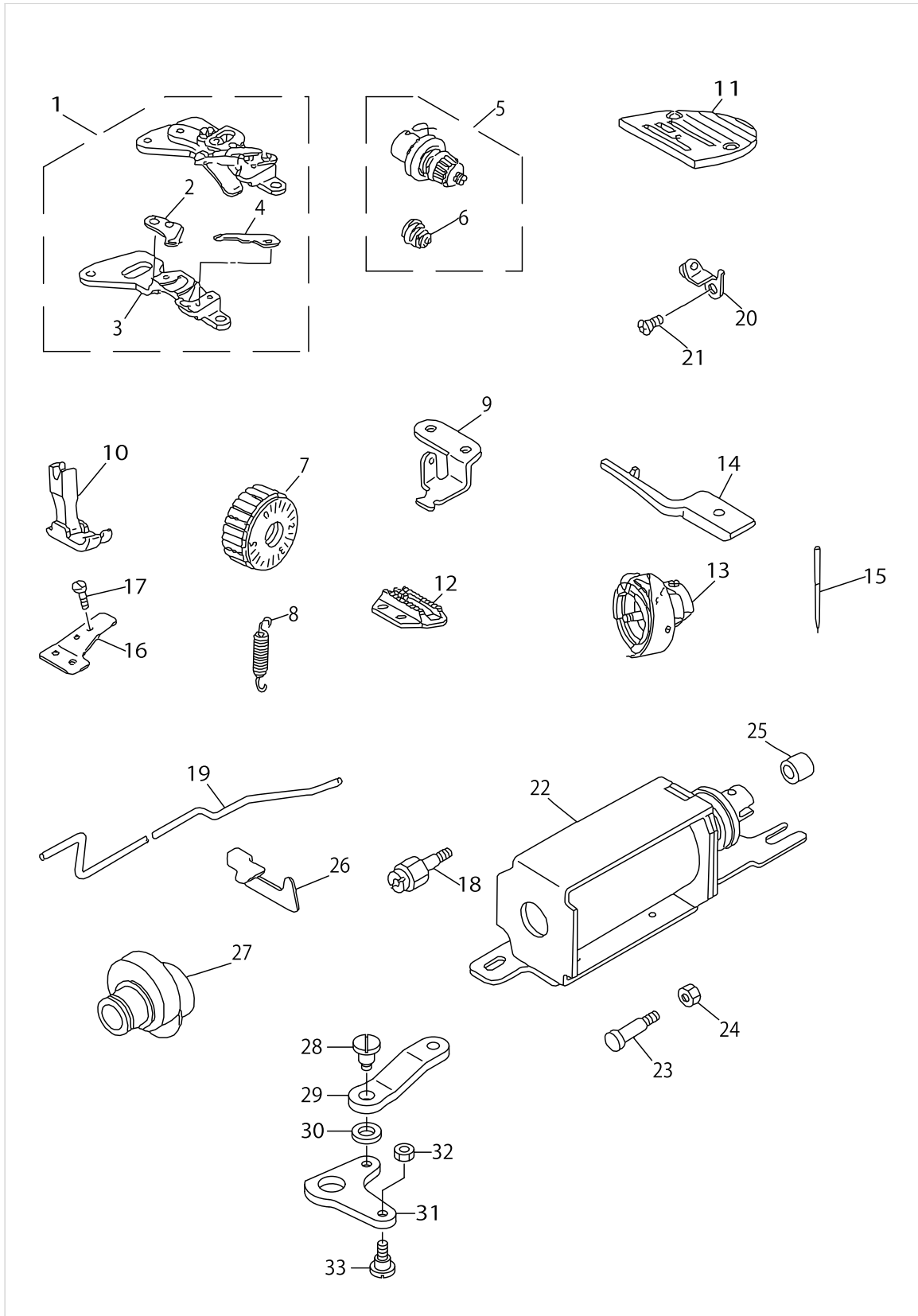
EXCLUSIVE PARTS FOR DDL-5570N-K,5580N-K



EXCLUSIVE PARTS FOR DDL-5570N-K,5580N-K

No.	Parts No.	Parts name	Remarks	Level	Cons	Qty
1	11001906	THROAT PLATE K				1
2	MDB100B0900	NEEDLE DBX1 #9				1
3	11092558	HAND LIFTER CAM ASM.				1
4	D1524555DA0	PRESSER FOOT ASM.				1
5	D1613155W00	FEED DOG W				1

EXCLUSIVE PARTS FOR DDL-5570N-M,5580N-M



EXCLUSIVE PARTS FOR DDL-5570N-M,5580N-M

No.	Parts No.	Parts name	Remarks	Level	Cons	Qty
1	11081254	KNIFE UNIT				1
2	11320058	MOVING KNIFE ASM.		*		1
3	11093101	KNIFE MOUNTING BASE		*		1
4	D2407415D00	THREAD GUIDE, LOWER		*		1
5	11073657	THREAD TENSION ASM.				1
6	B3114232000	THREAD TENSION SPRING		*		1
7	11071909	FEED DIAL				1
8	11091204	ADJUST LINK SPRING				1
9	11091907	FEED SPRING HOOK				1
10	11080355	PRESSER ASM.				1
11	11080009	THROAT PLATE				1
12	11080603	FEED				1
13	11092251	LUBRICATING BOBBIN ASM.				1
14	11093804	POSITIONING FINGER H				1
15	MDB100B1600	NEEDLE DBX1 #16				1
16	11230901	WIRE PRESSER PLATE, B				1
17	SS7110740TP	SCREW 11/64-40 L=7				1
18	11231503	OIL PUMP SUPPORT				1
19	11094109	OIL TUBE				1
20	11095254	LEVER STOPPER ASM.				1
21	SS1120710SP	SCREW				1
22	11095056	SOLENOID FITTING BASE ASM.				1
23	11314408	PLUNGER ARM PIN				1
24	NS6110350SP	NUT 11/64-40				1
25	11228103	REVERSE FEED BASE COLLAR				1
26	11228301	TUBE HOLDER, LOWER				1
27	11080900	FEED DRIVE ECCENTRIC CAM				1
28	11101706	HINGE SCREW				1
29	11101607	SOLENOID CONNECTING LINK				1
30	11101904	WASHER				1
31	11101508	REVERSE FEED LINK				1
32	NS6110350SP	NUT 11/64-40				1
33	11101805	HING SCREW				1

HOW TO MAKE USE OF THIS PARTS LIST

1.As to "#01" and "#02" refer to the "Note" given at the bottom of the respective pages.

2.Codes on the "Qty" column

- Each numeral indicates the number of parts required.
- "0.1" and "2.5" indicate the length (in meters) of the respective parts.

3.Parentheses mean that the corresponding part is a subpart that constructs an assembly part.

4.Dotted lines on the Figures indicate assembly parts.

1. リストページの# 0 1、# 0 2の印は、ページ下の"注記"の説明を参照下さい。
2. 数量欄の数字は、個数を表し、0. 1、2. 5等の数値は、長さ（単位メートル）を表します。
3. 数量欄の（ ）は、組部品を構成している子部品であることを意味します。
4. イラストページの-----枠は、組構成であることを意味します。

NUMERICAL INDEX OF PARTS

PART NO	PAGE	REF NO.	PART NO	PAGE	REF NO.	PART NO	PAGE	REF NO.
11000304	2	2	11009701	14	4	11023504	30	8
11000619	2	11	11009909	14	7	11023702	28	20
11000858	2	4	11010154	14	19	11023751	28	16
11001104	4	55	11010303	14	17	11023801	28	21
11001500	2	31	11010402	14	20	11024007	28	7
11001609	4	53	11010709	16	65	11024106	28	8
11001658	4	51	11010808	14	39	11024205	28	15
11001906	44	1	11010907	16	60	11024304	28	23
11002003	6	43	11011301	14	38	11024403	28	19
11002102	6	11	11011509	14	5	11024502	28	10
11002201	6	12	11014008	14	15	11024700	28	3
11002300	6	14	11014156	14	45	11028008	2	44
11002508	6	21	11014206	16	48	11028156	10	42
11002805	6	20	11014354	16	57	11028255	10	35
11002904	6	42	11015005	8	31	11030301	2	14
11004009	8	23	11015104	8	35	11032265	6	37
11004108	8	25	11015203	8	27	11035003	8	3
11004207	8	26	11017209	6	2	11035300	8	10
11005204	6	7	11018009	10	28	11037157	16	55
11006103	10	37	11018108	10	30	11037207	14	31
11006202	10	10	11018207	10	24	11037355	14	35
11006350	10	5	11018306	10	27	11038650	8	40
11006509	10	7	11018405	10	25	11038759	8	42
11006608	10	8	11018504	2	30	11038809	8	32
11006756	10	4	11018603	2	47	11038908	8	43
11006905	10	16	11018801	8	7	11039062	6	5
11007002	10	15	11019007	12	50	11039070	6	4
11007101	10	12	11020005	26	14	11040052	18	5
11007200	10	14	11020054	26	12	11040201	18	7
11007309	10	11	11020203	26	17	11040300	18	6
11008000	6	17	11020302	26	13	11040359	18	1
11008059	6	15	11020401	26	19	11040409	18	4
11008109	6	18	11020500	26	21	11040508	18	3
11008208	14	12	11020609	26	20	11040607	18	35
11008356	14	43	11020708	26	15	11040706	18	37
11008604	14	26	11020807	26	18	11040854	18	45
11008703	14	25	11020906	26	22	11040953	18	44
11008802	14	28	11021151	26	6	11041308	18	43
11008901	14	23	11021201	26	3	11041407	18	40
11009008	14	24	11021300	26	11	11041506	18	41
11009107	14	40	11021409	26	27	11041704	18	29
11009206	14	13	11021706	20	64	11041852	18	30
11009305	14	36	11021805	26	7	11042058	18	24
11009404	14	22	11023017	28	2	11042207	20	50
11009602	14	2	11023108	34	38	11042264	18	23

NUMERICAL INDEX OF PARTS

PART NO	PAGE	REF NO.	PART NO	PAGE	REF NO.	PART NO	PAGE	REF NO.
11042306	18	26	11071909	46	7	11093259	38	3
11042405	18	31	11072006	14	10	11093366	38	1
11042504	18	14	11072105	16	68	11093606	38	11
11042553	18	13	11072204	2	33	11093804	38	27
11042652	18	15	11072352	2	32	11093804	46	14
11042751	18	25	11072402	2	26	11094000	38	32
11042850	18	19	11072451	2	21	11094109	38	43
11042959	18	21	11072501	22	2	11094109	46	19
11043007	20	60	11072550	22	1	11094604	38	6
11043106	20	53	11072600	22	13	11094703	38	7
11043205	20	52	11072709	24	2	11094851	38	8
11043304	20	57	11072758	24	1	11094901	38	9
11043353	20	49	11072907	30	3	11095056	38	37
11043403	20	54	11072956	30	2	11095056	46	22
11043551	20	65	11072964	30	1	11095254	38	17
11043700	18	38	11073004	30	7	11095254	46	20
11045002	2	22	11073657	38	12	11095304	20	69
11045101	2	25	11073657	46	5	11100104	2	20
11045200	2	23	11073756	42	11	11100252	14	27
11045408	10	46	11073954	38	10	11100401	14	1
11045507	10	18	11074002	42	4	11100500	2	18
11045606	10	21	11074101	38	14	11100609	26	25
11045705	10	43	11080009	46	11	11100757	22	25
11045804	10	22	11080355	46	10	11101003	22	24
11045903	10	29	11080603	46	12	11101151	22	17
11046000	12	48	11080900	46	27	11101300	22	15
11046505	26	1	11081254	46	1	11101417	22	19
11047057	28	1	11091006	38	15	11101508	38	47
11047107	28	4	11091204	38	34	11101508	46	31
11047107	34	37	11091204	46	8	11101607	38	45
11047255	30	10	11091303	38	25	11101607	46	29
11047305	30	6	11091501	38	22	11101706	38	44
11047354	30	4	11091600	38	20	11101706	46	28
11052701	14	9	11091659	38	19	11101805	40	49
11053105	16	64	11091808	42	2	11101805	46	33
11070851	2	1	11091857	42	1	11101904	38	46
11070901	2	10	11091907	38	35	11101904	46	30
11071008	2	28	11091907	46	9	11102001	22	4
11071453	6	34	11092251	38	26	11102100	22	5
11071461	6	30	11092251	46	13	11102209	22	6
11071552	6	29	11092558	42	14	11102308	22	12
11071602	10	31	11092558	44	3	11102605	2	9
11071701	10	32	11093101	38	4	11110152	24	20
11071800	10	1	11093101	46	3	11110301	24	15
11071909	38	33	11093168	38	2	11110400	24	13

NUMERICAL INDEX OF PARTS

PART NO	PAGE	REF NO.	PART NO	PAGE	REF NO.	PART NO	PAGE	REF NO.
11110509	24	14	B1402552000A	8	2	B3419122000	28	18
11110608	24	6	B1403155000	8	8	B3431552000A	28	17
11110707	24	10	B1403553000	38	23	B3514412000	26	9
11110806	24	11	B1405012000	8	1	B3529226000	26	5
11110905	24	7	B1408552000	6	8	B9117012000	8	41
11111051	24	28	B14115520A0	8	4	B9117552A00	42	6
11111309	24	26	B1414555000	8	6	CQ252000000	26	8
11111507	24	9	B1419553000	38	24	CQ3500000F0	6	3
11111606	24	24	B1501127000	10	36	CS030071ASP	24	30
11111705	24	16	B1502541000	10	40	CS079073ASH	8	36
11111804	24	29	B1505227000A	10	34	CS079101ASH	8	29
11181757	32	9	B1505227T00A	42	8	CS1111019SH	34	46
11183605	32	14	B1505552000A	38	28	CS147121ASH	6	23
11183654	32	1	B1510227000	10	33	CS147121ASH	16	61
11183704	32	10	B1511543BA0	38	29	D1524555DA0	42	3
11183803	32	15	B1521555000	10	2	D1524555DA0	44	4
11183902	32	5	B1613012A00	14	33	D1613155W00	44	5
11184009	32	2	B1613012I00	42	5	D2112555B00	2	13
11184108	32	8	B1613555H00	38	36	D2404555B00	18	9
11184207	32	11	B18085520A0	8	38	D2406555D0H	18	10
11184306	32	7	B1810552000	8	39	D2407415D00	38	5
11217601	22	28	B18370120A0	42	7	D2407415D00	46	4
11228103	38	39	B1903552000	6	9	D2468555B00	22	22
11228103	46	25	B1905541B00	6	6	D3128555D00	42	12
11228301	38	42	B2616372000	26	10	D3129555D00	42	13
11228301	46	26	B3111126000	2	40	D3159555B00	10	44
11230901	38	30	B3114232000	38	13	D3201555DA0	30	11
11230901	46	16	B3114232000	46	6	D3213555DA0	30	12
11231503	38	38	B3115552000	2	38	D3310555D00	32	20
11231503	46	18	B3118552E00	2	43	D6043555B00	20	66
11314408	38	40	B3120125000	2	34	D6043555B00	22	10
11314408	46	23	B3125012000	30	16	D6043555B00	24	23
11320058	46	2	B3126012000	2	37	GAK01003B00	34	44
B1110012000	4	52	B3126012000	30	14	GAK01004000	34	43
B1114012000	2	7	B3128012000	2	39	GAK01014000	34	20
B1148555000	14	8	B3129012A00	2	35	GAK01015000	34	28
B1212552A00	6	28	B3129012B00	30	15	GAK01016000	34	16
B12135520A0A	6	40	B3132552000	2	36	GAK01018000	34	7
B13050120A0	8	14	B3209555000	30	20	GAK01019000	34	4
B13061550A0	8	16	B3211555000	30	19	GAK010220A0	36	63
B13061550B0	8	13	B3212555000	30	18	GAK010220B0	36	60
B13061550C0	8	12	B3214047000	2	24	GAK020210A0	34	17
B13071550A0	8	19	B3311012000	32	4	GAK300010B0	36	55
B13071550B0	8	18	B3317704000	32	18	GAK30004000	36	56
B13081550A0	8	21	B3320704L00A	32	3	GAK30005000	36	54

NUMERICAL INDEX OF PARTS

PART NO	PAGE	REF NO.	PART NO	PAGE	REF NO.	PART NO	PAGE	REF NO.
GAK30006000	34	39	NS6150430SR	28	12	SK3482500SC	30	24
GAK300060A0	34	36	NS6620310SP	10	45	SK3514000SC	36	66
GAK300060B0	34	2	NS6660410SH	20	58	SL4030851SF	26	23
GAK300060D0	34	1	NS6660430SP	20	59	SL4051001MZ	6	39
GAK300070A0	34	10	NS6680410SP	14	42	SM4030601SN	24	22
GAK300070B0	34	3	RC0150001KP	14	54	SM4030801SB	34	35
GAK30011000	34	11	RC0150001KP	16	54	SM4031401SB	34	32
GAK30012000	34	9	RC1850001KP	6	22	SM4031501SC	22	8
GAK30013000	34	8	RE0250000K0	24	8	SM4051001SB	34	22
GAK30014000	36	52	RE0320000K0	36	50	SM4051405SE	32	12
GAK30015000	34	47	RE0400000K0	10	26	SM6061610SC	32	6
GAK30016000	34	29	RE0400000K0	18	39	SS1120710SP	38	18
HA000590000	24	17	RE0400000K0	22	23	SS1120710SP	46	21
HA001700000	22	11	RE0400000K0	36	57	SS2060210SP	18	8
HG26740147P	34	23	RE0500000K0	10	23	SS2110915SP	2	46
HR003601000	34	26	RE0500000K0	14	21	SS2110920TP	2	45
HW200390000	24	18	RE0500000K0	18	51	SS4080620TP	14	34
HW2F18S1212	34	27	RE0500000K0	20	51	SS4080620TP	18	11
HW500070000	22	9	RE0500000K0	22	14	SS4110615SP	22	3
HW500070000	24	19	RE0500000K0	24	27	SS4110715SP	18	28
HX000430000	6	38	RE0600000K0	18	46	SS4110815SP	30	13
M40071100AA	6	35	RE0800000K0	18	27	SS4111815SP	22	7
M40071100AB	6	36	RE0900000K0	22	16	SS4120615SP	2	29
M9637110000	20	67	RE1000000K0	28	9	SS4120615SP	10	49
M9640110000	20	68	RE1000000K0	36	51	SS4120615SP	12	49
MAO11532000	32	22	RE1200000K0	22	20	SS4120615SP	26	4
MAO12002000	34	42	RE1200000K0	34	6	SS4120915SP	2	50
MAT80230T00	36	61	RO029180100	6	41	SS4120915SP	4	50
MAT80231T00	36	62	RO037180100	10	3	SS4120915SP	8	28
MDA100B0900	42	10	RO044240100	6	26	SS4120915SP	16	59
MDA100B1100	42	9	RO078190100	16	63	SS4120915SP	22	27
MDB100B0900	44	2	RO092270200	14	16	SS4120915SP	24	32
MDB100B1400	8	11	RO098240100	28	6	SS4150915SP	18	47
MDB100B1600	46	15	RO098240100	34	41	SS4150915SP	26	26
MDB100B2200	38	21	RO195240100	26	2	SS4151215SP	20	63
NM6040000SN	20	56	SD0460702TP	18	2	SS4151215SP	22	26
NM6050001SE	32	17	SD0490261SP	30	21	SS6060210SP	4	54
NM6060003SC	36	49	SD0600361SP	20	62	SS6080310SP	24	31
NM6100663SE	34	5	SD0630275SP	18	18	SS6080320SP	38	16
NS6090310SP	24	5	SD0640702TH	20	48	SS6080410SP	2	3
NS6110310SP	24	12	SD0641451SP	18	17	SS6090510SP	18	16
NS6110350SP	38	48	SD0650321TP	24	4	SS6090540SP	24	25
NS6110350SP	40	48	SD0720332SP	10	13	SS6090620SP	14	41
NS6110350SP	46	32	SD1000801SH	14	47	SS6090670TP	6	19
NS6150430SP	18	33	SE4301041SR	26	16	SS6090670TP	8	5

NUMERICAL INDEX OF PARTS

PART NO	PAGE	REF NO.	PART NO	PAGE	REF NO.
SS6090670TP	14	3	SS8153010SR	28	13
SS6110420TP	8	30	SS8660530TP	34	45
SS6110610TP	4	48	SS8660610TP	6	25
SS6110710TP	20	61	SS8660610TP	16	62
SS6111010SP	8	33	SS8660810TP	8	22
SS6111010TP	26	24	SS8660810TP	10	38
SS6111210SP	6	31	SS8660810TP	16	66
SS6121210SP	14	46	SS8661040TP	16	67
SS6121840SP	2	17	SS8681650TP	6	10
SS6121860SP	14	11	SS9151540SR	28	22
SS6151220SP	36	64	SS9151610SR	28	14
SS6660610TP	18	20	SS9182010SN	28	11
SS6661110SP	6	16	TA0850604R0	2	5
SS6700710SH	28	5	TA1250406R0	4	49
SS6700710SH	34	40	TA1250705R0	2	6
SS7080510TP	8	9	TA2000502R0	2	16
SS7081310SP	30	22	TA2101002R0	2	19
SS7090610SP	18	42	WP0330500MB	34	33
SS7090910SP	10	39	WP0330501SB	34	30
SS7091110SP	10	41	WP0450000SD	20	55
SS7110350SP	30	17	WP0450801SD	6	32
SS7110410SP	10	47	WP0480856SP	16	69
SS7110510SP	14	37	WP0501016SC	30	23
SS7110740TP	10	17	WP0570716SE	36	59
SS7110740TP	16	53	WP0621016SD	36	53
SS7110740TP	38	31	WP0621016SH	18	32
SS7110740TP	46	17	WP0820526SD	30	5
SS7111120SP	16	58	WP1602616SZ	22	21
SS7111410SP	36	65	WP1702600S0	32	19
SS7120640SP	30	9	WS0310002KN	24	21
SS7120770SH	14	6	WS0310702KS	34	34
SS7121410SP	14	44	WS0451040KP	26	28
SS7121410TP	16	56	WS0510002KN	32	16
SS7151210SP	36	48	WS0511302KB	34	21
SS7681650TP	6	27	WS1643202KR	32	21
SS8090670SP	2	41	WT0530002KS	4	56
SS8110410TP	8	37			
SS8110520TP	18	22			
SS8150432TH	8	34			
SS8150432TH	16	52			
SS8150710SP	2	42			
SS8150710SP	14	29			
SS8150912TH	6	13			
SS8151150SP	6	1			
SS8151550SP	6	33			