

MODEL : DU-141H-7

List No : 0450-05

# PARTS LIST

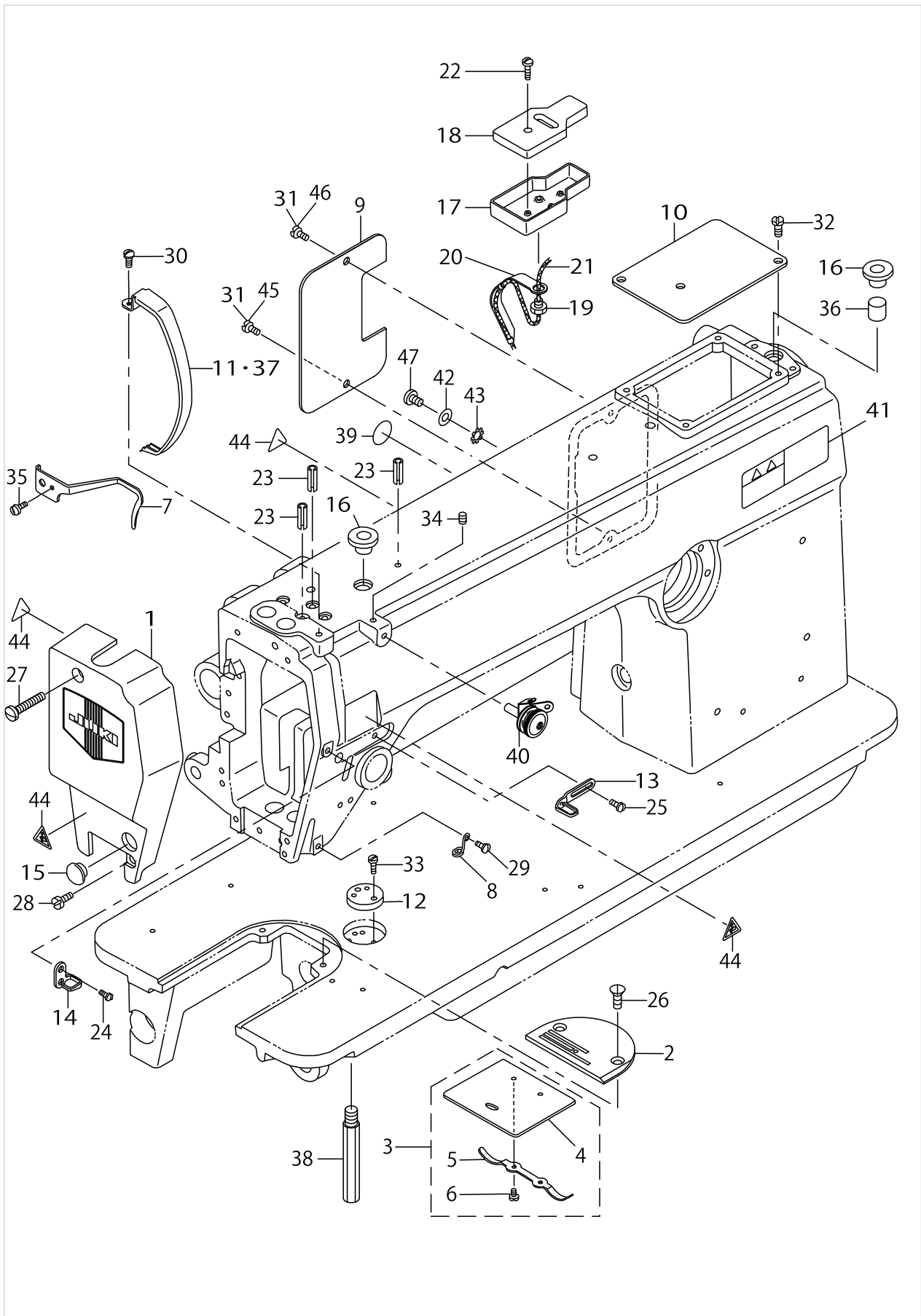
Published:09/10/2017

## CONTENTS

---

FRAME & MISCELLANEOUS COVER COMPONENTS .....	1
MAIN SHAFT & ARM SHAFT COMPONENTS .....	3
NEEDLE BAR & THREAD TAKE-UP LEVER COMPONENTS .....	5
PRESSER BAR COMPONENTS .....	7
TENSION RELEASE COMPONENTS .....	9
FEED MECHANISM COMPONENTS.....	11
HOOK & THREAD TRIMMER COMPONENTS .....	15
REVERSE FEED MECHANISM COMPONENTS.....	19
HOOK DRIVING SHAFT & OIL BASIN COMPONENTS .....	21
THREAD TENSION COMPONENTS .....	23
UPPER FEED MECHANISM COMPONENTS .....	25
KNEE LIFTER & OIL PAN COMPONENTS.....	29
THREAD STAND, BELT COVER & BOBBIN WINDER COMPONENTS.....	31
TABLE COMPONENTS .....	33
ACCESSORIES PARTS COMPONENTS .....	35
GAUGE COMPONENTS.....	37
LIST FOR INFORMATION OF CHANGE.....	39
HOW TO MAKE USE OF THIS PARTS LIST .....	40

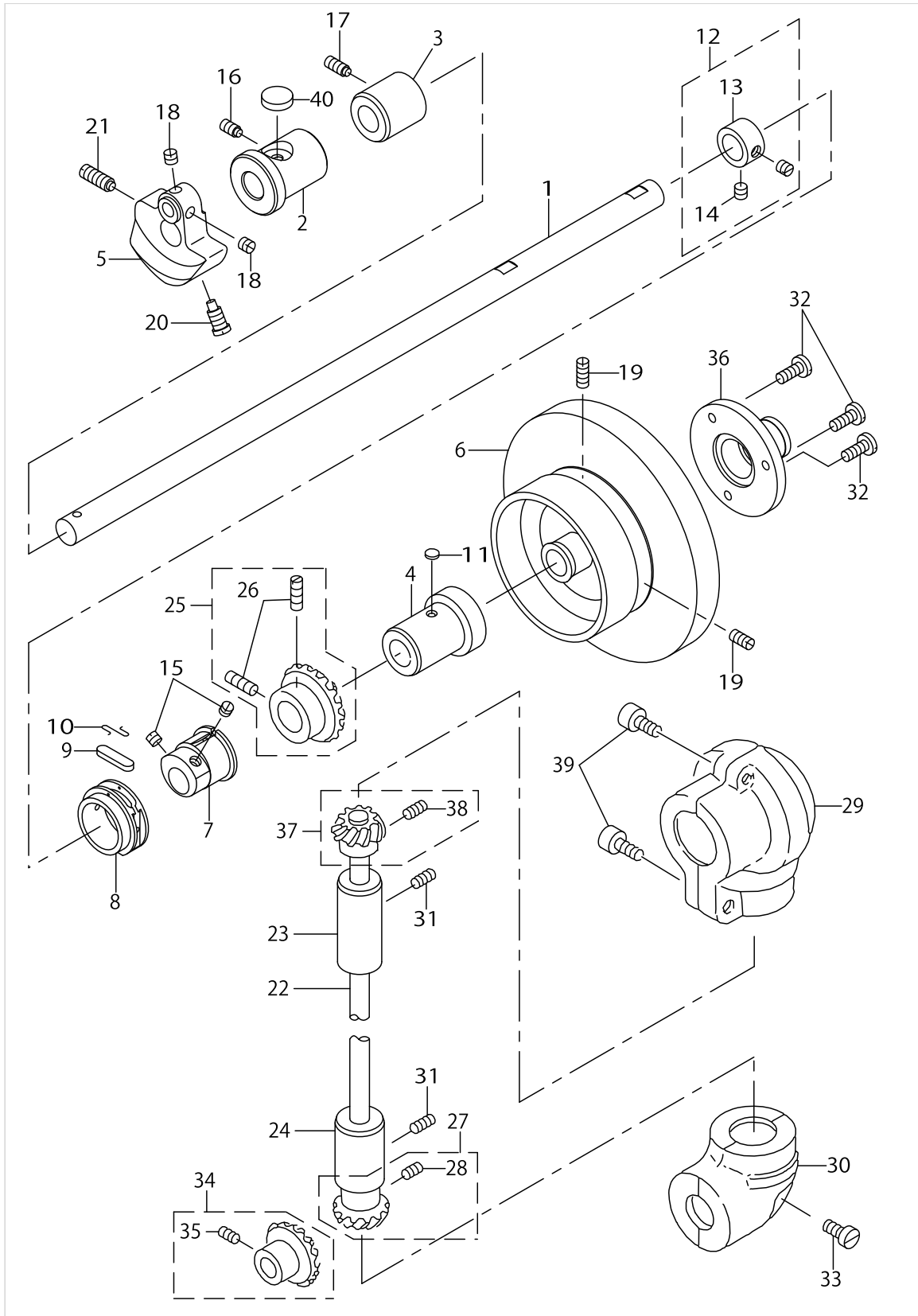
FRAME & MISCELLANEOUS COVER COMPONENTS



FRAME & MISCELLANEOUS COVER COMPONENTS

No.	Parts No.	Parts name	Remarks	Level	Cons	Qty
1	B1121141HAAD	FACE PLATE ASM.				1
2	D1105141E00	THROAT PLATE				1
3	B11100120A0	BED SLIDE ASM.				1
4	B1110012000	SLIDE PLATE		*		1
5	B1111012000	BED SLIDE SPRING		*		1
6	SS6060210SP	SCREW 3/32-56 L=1.9		*		2
7	21286802	THREAD GUIDE				1
8	B1129141H00	THREAD GUIDE				1
9	B1118141H0AA	SIDE PLATE				1
10	40032259	SIDE COVER				1
11	B1123141H0A	THREAD TAKE-UP LEVER COVER	FOR EXPORT			1
12	B1103141H00	SCALE BASE PLATE				1
13	D1126560E00A	ARM THREAD GUIDE A				1
14	B1131141H00	FRAME THREAD GUIDE B				1
15	TA1250406R0	RUBBER PLUG D=12.5 L=4				1
16	B1156115000	RUBBER PLUG				2
17	B3503201000	OIL RESERVOIR				1
18	B3504201000	OIL FELT				1
19	B3515201000	CLAMP SLEEVE NUT				1
20	B3527012000	HOLDER				1
21	CQ202000000	OIL WICK				0.3
22	SS7112420SP	SCREW 11/64-40 L=24				1
23	PS0350102KR	SPRING PIN 3.5X10				3
24	SS2090710TP	SCREW 9/64-40 L=7.2				1
25	SS5090610SP	SCREW 9/64-40 L=6				1
26	SS2110915SP	SCREW 11/64-40 L=8.5				2
27	SS7112420SP	SCREW 11/64-40 L=24				1
28	SS6111610SP	SCREW 11/64-40 L=16				1
29	SS7090620TP	SCREW 9/64-40 L=6.1				1
30	SS7110510SP	SCREW 11/64-40 L=5				1
31	SS7110710SP	SCREW 11/64-40 L=7	FOR DU-141H-4			2
32	SS7110710SP	SCREW 11/64-40 L=7				2
33	SS7110720SP	SCREW 11/64-40 L=7				2
34	SS8110410TP	SCREW 11/64-40 L=3.5				1
35	SS6110610TP	SCREW 11/64-40 L=6				1
36	B3517009000	OIL FELT REAR				1
37	11415205	THREAD TAKE-UP LEVER COVER(JE)	FOR USE IN JAPAN,JE			1
38	B1105122000	BED SCREW STUD B				1
39	22901805	GROUND MARK				1
40	D3161560EA0	TENSION POST ASM.				1
41	CM301300001	SAFETY LABEL				1
42	WP0501016SD	WASHER 5X10.5X1				1
43	WT0530002KS	TOOTHED WASHER D=5.3				1
44	CM300200001	ATTENTION SEAL	FOR USE IN JAPAN,JE			4
45	SS7111410SP	SCREW 11/64-40 L=14	FOR DU-141H-7			1
46	SS7110710SP	SCREW 11/64-40 L=7	FOR DU-141H-7			1
47	SS7110710SP	SCREW 11/64-40 L=7				1

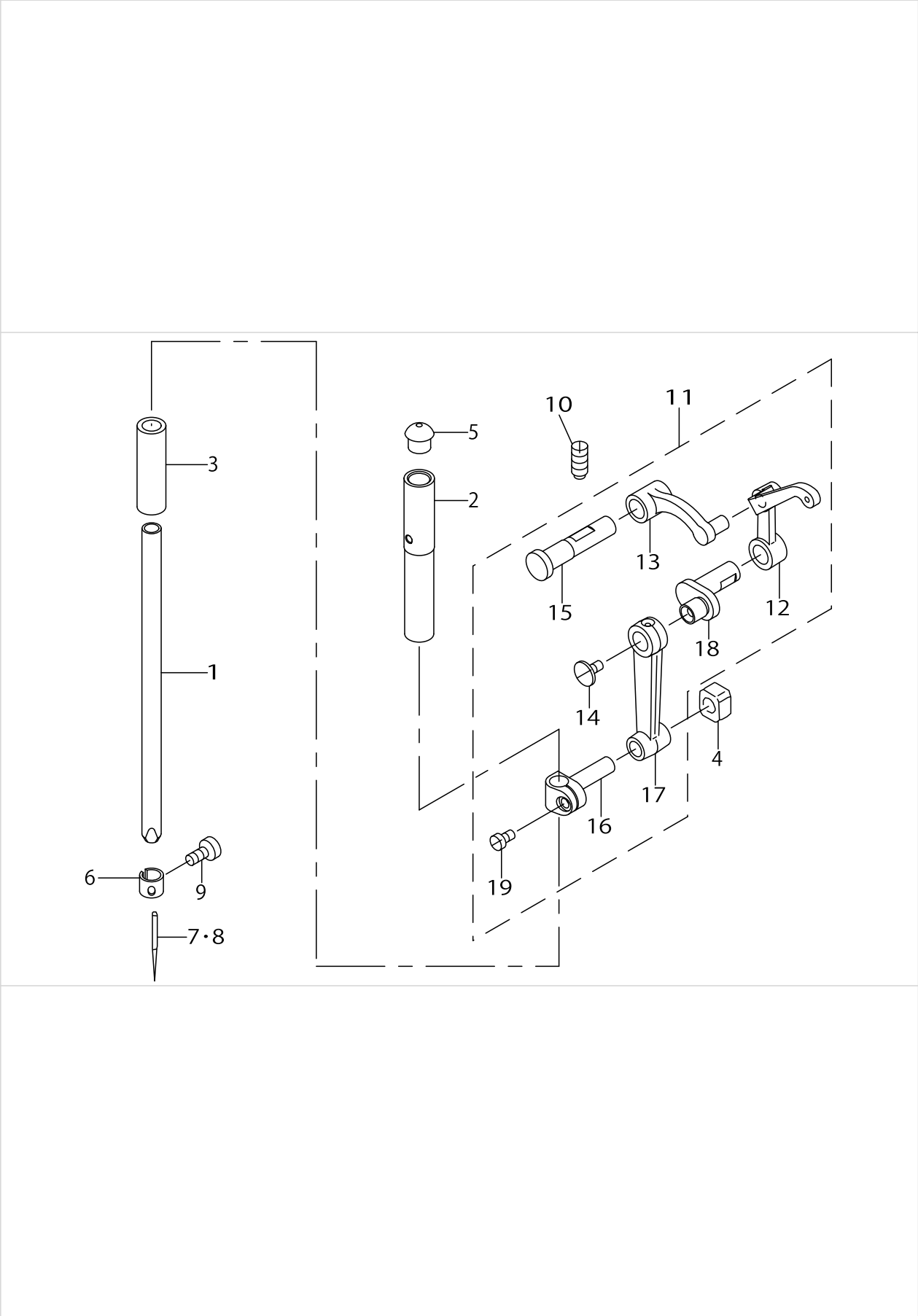
MAIN SHAFT & ARM SHAFT COMPONENTS



MAIN SHAFT & ARM SHAFT COMPONENTS

No.	Parts No.	Parts name	Remarks	Level	Cons	Qty
1	D1201141E00A	MAIN SHAFT				1
2	B1202141H0A	ARM SHAFT BUSHING FRONT				1
3	B1203141H00	MAIN SHAFT BUSHING INTERMEDIA				1
4	B1204141H00	ARM SHAFT BUSHING REAR				1
5	D1206141E00	COUNTERWEIGT				1
6	D1227141E0C	HAND WHEEL				1
7	B1211141H00	FEED ECCENTRIC CAM				1
8	B1211226000	ECCENTRIC RETAINER HOUSING				1
9	B1212012000	OIL FELT				1
10	B1213012000	FELT RETAINER				1
11	B3511280000	OIL FELT				1
12	22904155	MAIN SHAFT THRUST COLLAR ASM.				1
13	22904106	MAIN SHAFT THRUST COLLAR		*		1
14	SS8660610TP	SCREW 1/4-40 L=6		*		2
15	SS8150710TP	SCREW 15/64-28 L=7				2
16	SS8151150SP	SCREW 15/64-28 L=10.5				1
17	SS8151550SP	SCREW 15/64-28 L=15				1
18	SS8660610TP	SCREW 1/4-40 L=6				2
19	SS8151550SP	SCREW 15/64-28 L=15				2
20	SS7681750TP	SCREW 9/32-28 L=16.5				1
21	SS8681950SP	SCREW 9/32-28 L=19				1
22	B1301201000	UPRIGHT SHAFT				1
23	B1302271000	UPRIGHT SHAFT BUSHING UPPER				1
24	B1303271000	BUSHING LOWER				1
25	B13050120A0	GEAR ASM.				1
26	SS8660810TP	SCREW 1/4-40 L=8		*		2
27	B13071550A0	GEAR ASM. LARGE				1
28	SS8660810TP	SCREW 1/4-40 L=8		*		2
29	B13052710B0	GEAR CASE ASM.				1
30	B13072710A0	PINION CASE ASM.				1
31	SS8151550SP	SCREW 15/64-28 L=15				2
32	SS7111120SP	SCREW 11/64-40 L=10.5				3
33	SM6051410SC	SCREW M5X0.8 L=14				1
34	B13081550A0	PINION ASM.				1
35	SS8660810TP	SCREW 1/4-40 L=8		*		2
36	D1230552B00	FLANGE				1
37	B13061550A0	PINION ASM.				1
38	SS8660810TP	SCREW 1/4-40 L=8		*		2
39	SM6031202TP	SCREW M3X0.5 L=12				2
40	B1203051000	OIL FELT				1

NEEDLE BAR & THREAD TAKE-UP LEVER COMPONENTS

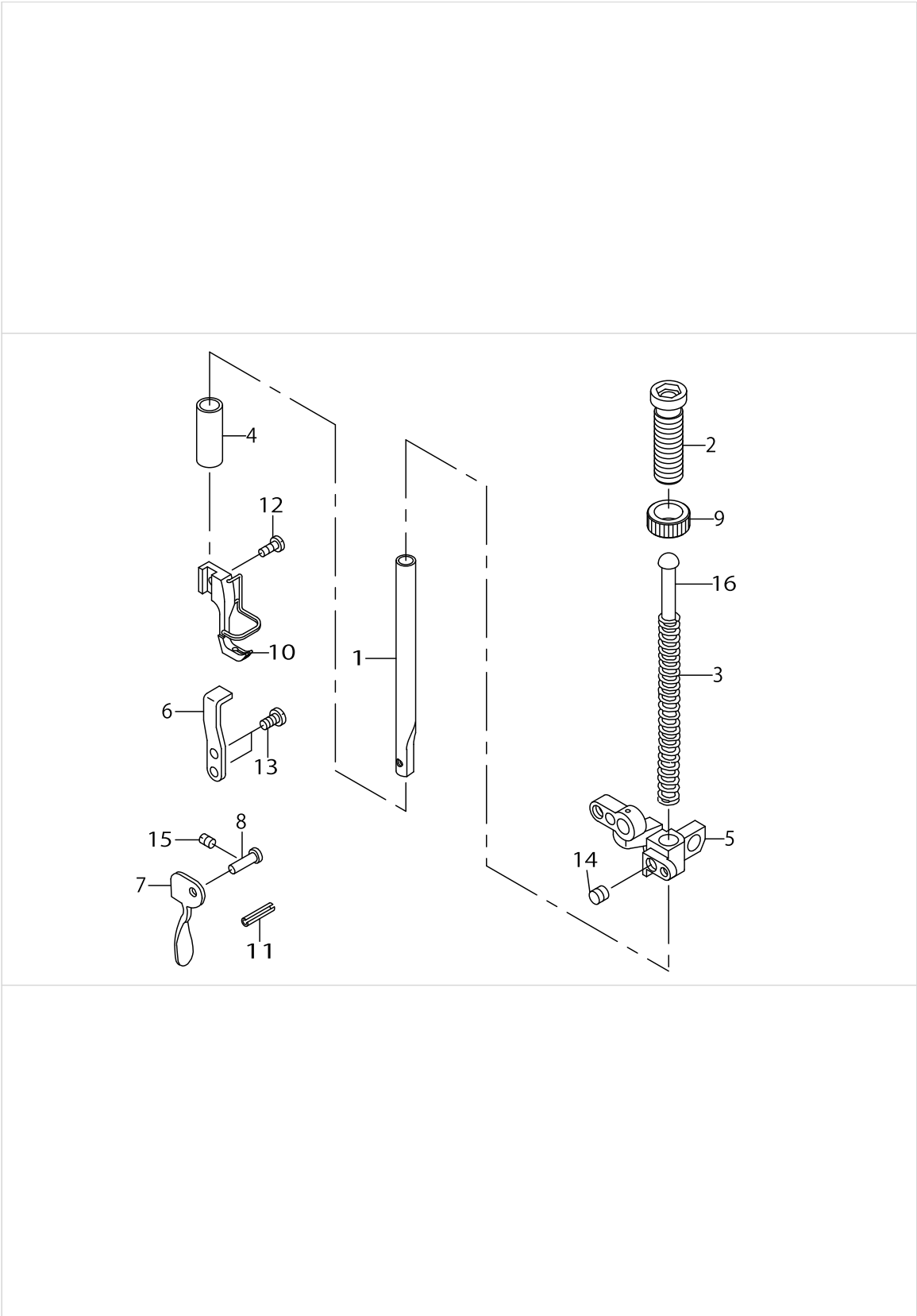


NEEDLE BAR & THREAD TAKE-UP LEVER COMPONENTS

No.	Parts No.	Parts name	Remarks	Level	Cons	Qty
1	D1401141E00	NEEDLE BAR				1
2	22906101	NEEDLE BAR BUSHING UPPER				1
3	D1403141E00	NEEDLE BAR BUSHING LOWER				1
4	B1414555000	SLIDE BLOCK				1
5	22901409	NEEDLE BAR UPPER BUSH CAP				1
6	D1418141E00	NEEDLE BAR THREAD GUIDE				1
7	MDB100B2100	NEEDLE DBX1 #21	EXCEPT JE			1
8	MC142501300	NEEDLE 1738 130	FOR JE			1
9	SS7080510TP	SCREW 1/8-44 L=4.5				1
10	SS8151550SP	SCREW 15/64-28 L=15				1
11	B1901141HA0	THREAD TAKE-UP LEVER ASM.				1
12	B1901141H00	THREAD TAKE-UP LEVER		*		1
13	B1902115000	THREAD TAKE-UP CRANK		*		1
14	B1903141H00	END SCREW LEFT		*		1
15	B1904115000	THREAD TAKE-UP CRANK SHAFT STUD		*		1
16	B1411552000	NEEDLE BAR CLAMP		*		1
17	B1408141H00	NEEDLE BAR CRANK ROD		*		1
18	B1210141H00	NEEDLE BAR CRANK		*		1
19	SS6090670TP	SCREW 9/64-40 L=6		*		1



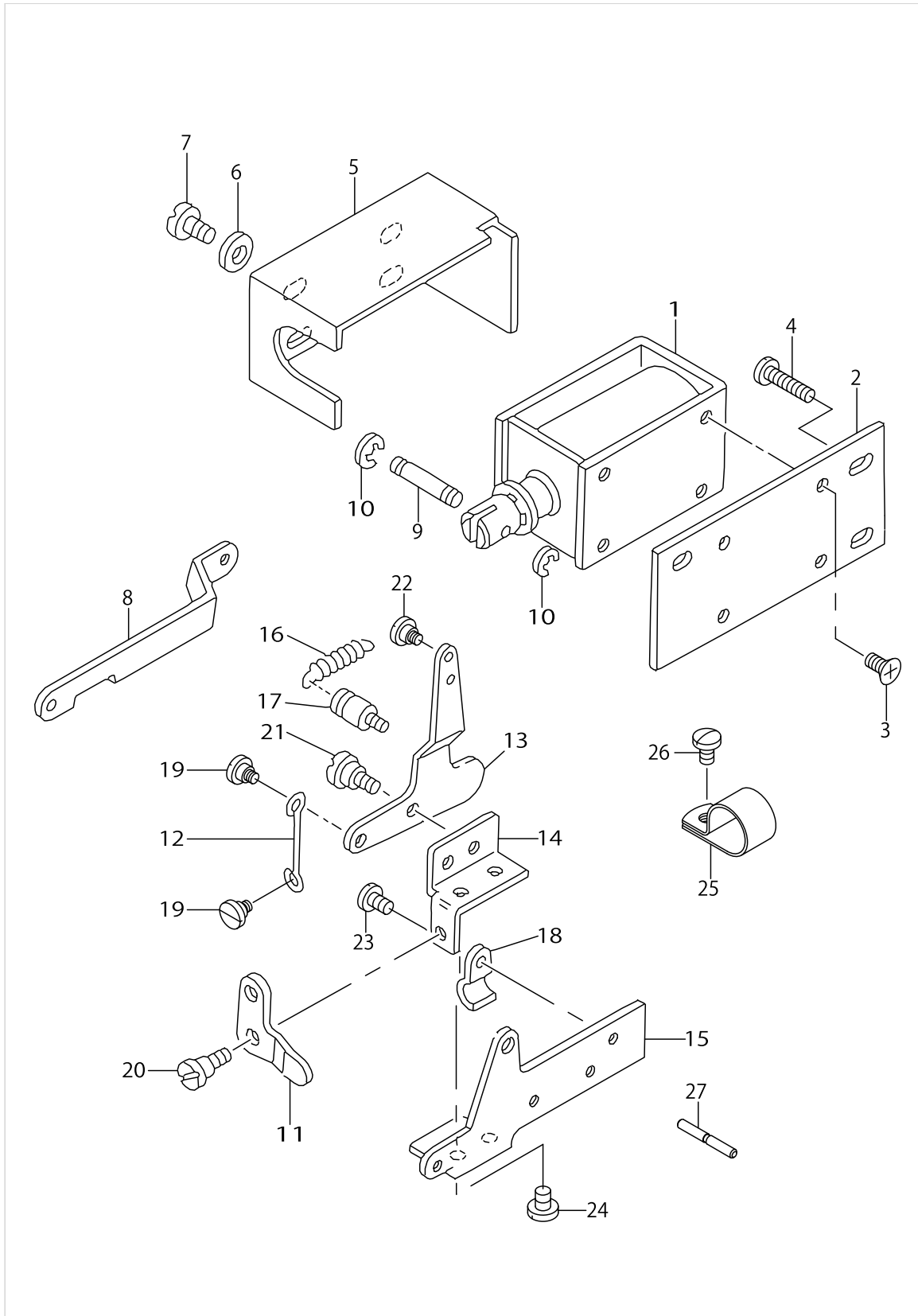
PRESSER BAR COMPONENTS



PRESSER BAR COMPONENTS

No.	Parts No.	Parts name	Remarks	Level	Cons	Qty
1	22907000	PRESSER BAR				1
2	22907505	PRESSER SPRING REGULATOR				1
3	B1505227T00A	PRESSER SPRING T				1
4	B1510155000	PRESSER BAR LOWER BUSHING				1
5	21103304	PRESSER BAR GUIDE BRACKET				1
6	B1515141H00	LIFTING LEVER				1
7	D1512141E00	HAND LIFTER				1
8	B1513141H00	HAND LIFTER SHAFT				1
9	22907604	PRESSER SPRING REGULATOR NUT				1
10	D1525141EA0	PRESSER FOOT ASM.				1
11	PS0300132KH	SPRING PIN 3X13				1
12	SS7091110SP	SCREW 9/64-40 L=10.5				1
13	SS7110840SP	SCREW 11/64-40 L=7.8				2
14	SS8660610TP	SCREW 1/4-40 L=6				1
15	SS8110750SP	SCREW 11/64-40 L=6.5				1
16	22907703	PRESSER GUIDE BAR				1

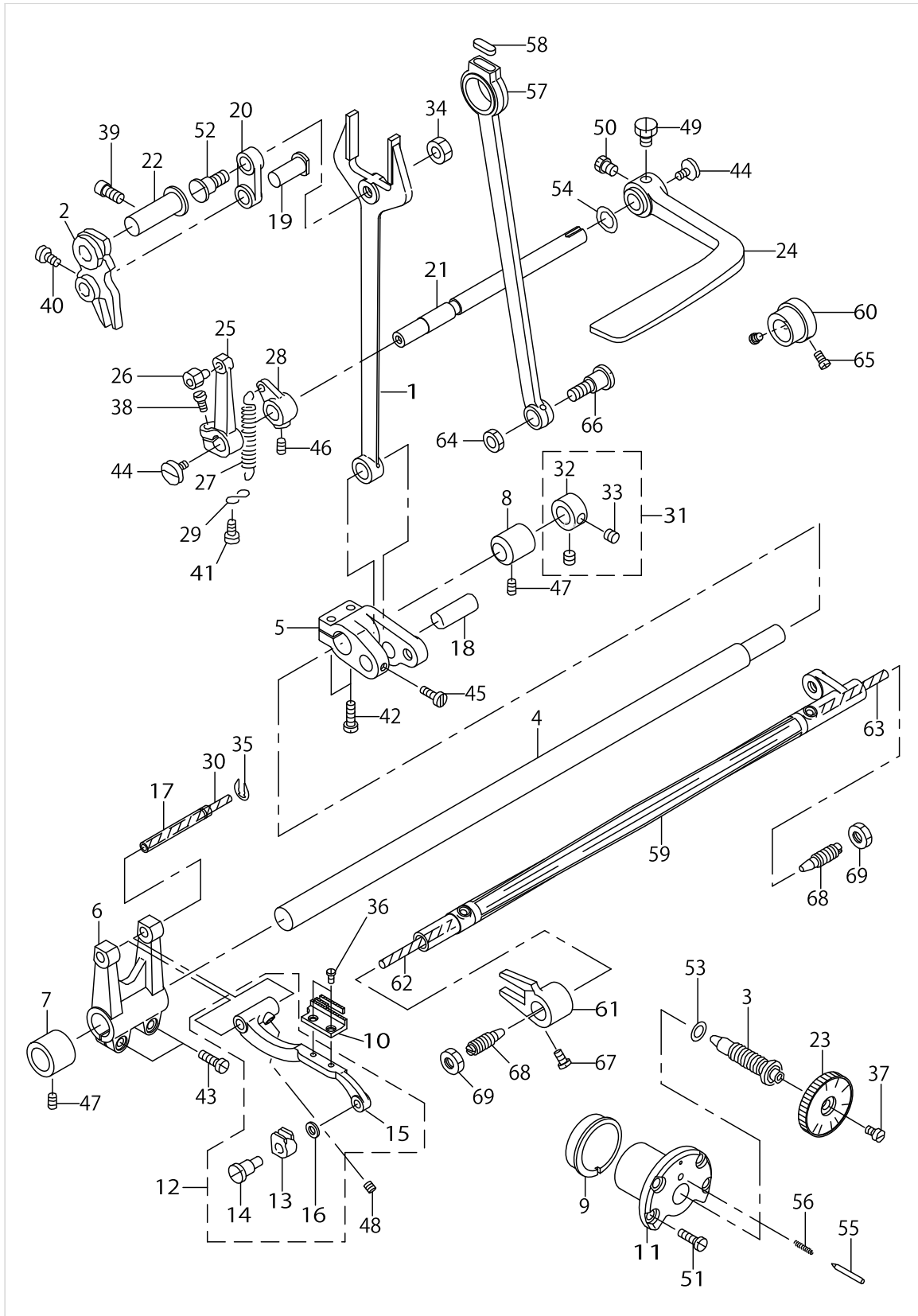
TENSION RELEASE COMPONENTS



TENSION RELEASE COMPONENTS

No.	Parts No.	Parts name	Remarks	Level	Cons	Qty
1	D3153141E00	TENSION RELEASE SOLENOID				1
2	D3154141E00	SOLENOID INSTALLING PLATE				1
3	SM1030601SA	SCREW M3 L=6				4
4	SS7110910SP	SCREW 11/64-40 L=8.5				3
5	D3157141E0A	SOLENOID INSTALLING PLATE				1
6	WP0320501SC	WASHER M3				4
7	SM4030601SC	SCREW M3 X 6				4
8	D3155141E00	SOLENOID ROD				1
9	D3156141E00	SOLENOID PIN				1
10	RE0250000K0	E-RING 2.5				2
11	D3158141E00	TENSION RELEASE LINK A				1
12	D3159141E00	CONNECTING BAR				1
13	D3152141E00	TENSION RELEASE LINK B				1
14	D3151141E00	TENSION RELEASE BRACKET				1
15	D3160141E00	TENSION RELEASE PLATE				1
16	D3149141E00	SPRING				1
17	10120004	SPRING SUSPENSION				1
18	B3538112000	OIL RETURN TUBE HOLDER				1
19	SD0550271TP	HINGE SCREW D=5.50 H=2.7				2
20	SD0640321SP	HINGE SCREW D=6.35 H=3.2				1
21	SD0630301SP	HINGE SCREW D=6.35 H=3				1
22	SD0550271TP	HINGE SCREW D=5.50 H=2.7				1
23	SS7110710SP	SCREW 11/64-40 L=7				3
24	SS7120640SP	SCREW 3/16-28 L=6				2
25	EA9502B0500	CABLE CLIP				1
26	SS7110710SP	SCREW 11/64-40 L=7				1
27	26028001	STOP MOTION LEVER SPRING PIN				2

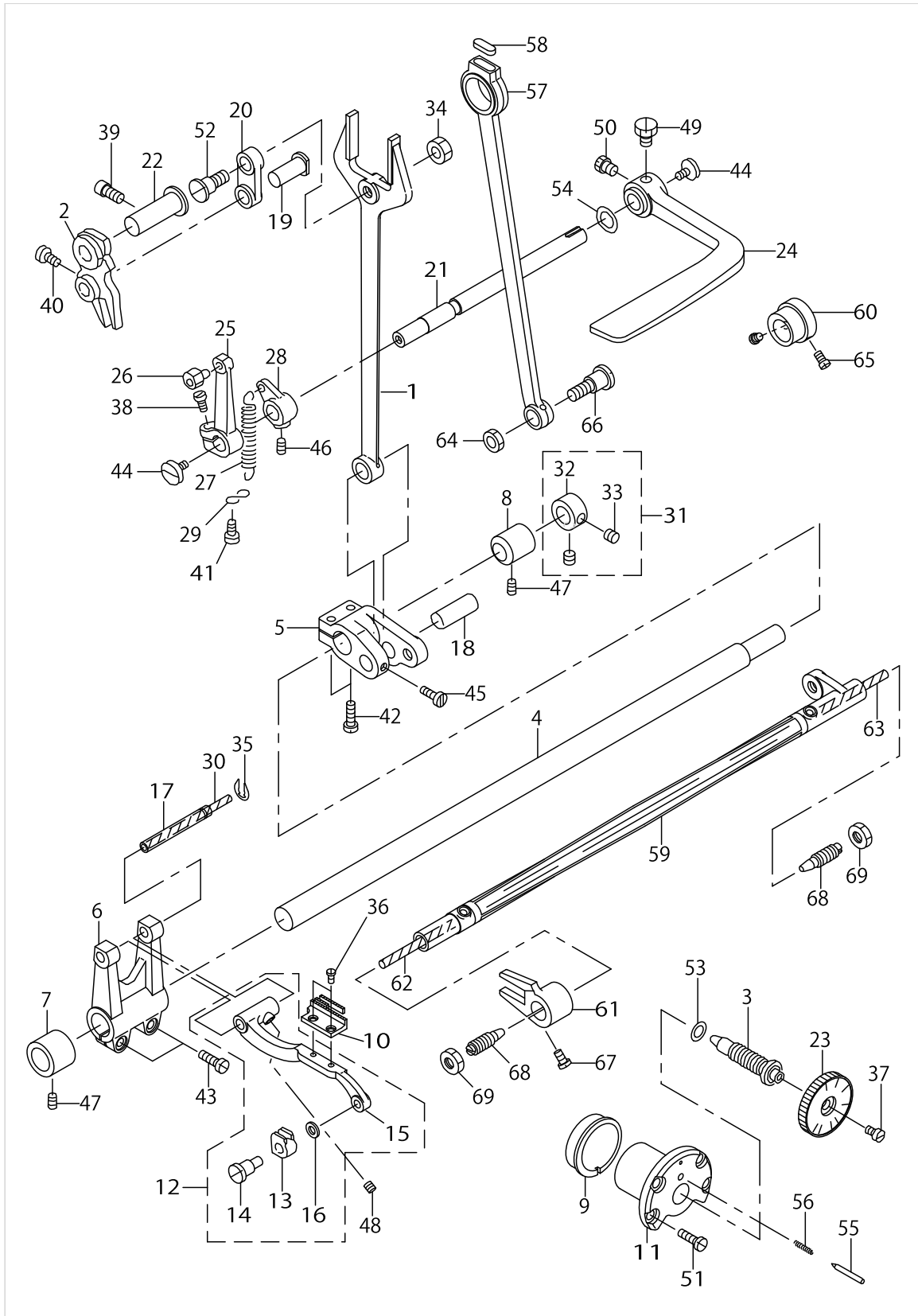
FEED MECHANISM COMPONENTS



FEED MECHANISM COMPONENTS

No.	Parts No.	Parts name	Remarks	Level	Cons	Qty
1	B1614141H00	PITMAN				1
2	D1620141E00	FEED REGULATOR				1
3	B1634141H00A	STITCH LENGTH REGULATING SCREW				1
4	B1601141H00	FEED ROCK SHAFT				1
5	B1605141H00	FEED ROCKER SHAFT CRANK				1
6	B1603141H00	FEED ROCKER				1
7	B1604141H00	BUSHING FRONT				1
8	B1602141H00	BUSHING REAR				1
9	B1637141H00	ECCENTRIC BUSHING				1
10	B1613141H00	FEED DOG				1
11	B1636141H0A	FEED REGULATOR SCREW METAL				1
12	B1606141HA0	FEED BAR ASM.				1
13	B1705155000	FEED DRIVING SLIDE BLOCK		*		1
14	B1706155000	FEED DRIVING SLIDE BLOCK HINGE		*		1
15	B1606141H00	FEED BAR		*		1
16	31255300	WASHER		*		1
17	B1604012000A	FEED BAR SHAFT				1
18	B1611155000A	HINGE STUD FOR PITMAN				1
19	B1618226000	HINGE PIN				1
20	B1619141H00	FEED REGULATOR CONNECTING LINK				1
21	B1621141H00A	CONTROL LEVER SHAFT	FOR DU-141H-4-1,-7-00			1
22	B1622141H00	HINGE PIN				1
23	D1623141E0A	SCALE PLATE				1
24	B1624141H0A	FEED LEVER	FOR DU-141H-4-1,-7-00			1
25	B1627226000	REVERSE FEED CONTROL LEVER CRA				1
26	B16331220A0	CRANK SLIDE BLOCK STUD ASM.				1
27	B1646201000	TENSION SPRING				1
28	B1647226000	SUSPENSION BRACKET (A)				1
29	B1648122000	SUSPENSION HOOK (B)				1
30	CQ202000000	OIL WICK				0.2
31	CS1111101CSH	THRUST COLLAR ASM.D=11.11 W=10				1
32	CS11111019SH	THRUST COLLAR D=11.11 W=10		*		1
33	SS8660610TP	SCREW 1/4-40 L=6		*		2
34	NS6680410SP	NUT 9/32-28				1
35	RE0500711KP	SNAP RING 5				1
36	SS4080620TP	SCREW 1/8-44 L=6				2
37	SS6121050SP	SCREW 3/16-28 L=9.5				1
38	SS6121210SP	SCREW 3/16-28 L=12				1
39	SS6151220SP	SCREW 15/64-28 L=11.5				1
40	SS6661110SP	SCREW 1/4-40 L=11				1
41	SS7090710SP	SCREW 9/64-40 L=6.8				1
42	SS7121410TP	SCREW 3/16-28 L=14				2
43	SS7121410TP	SCREW 3/16-28 L=14				2
44	SS7620750SP	SCREW 3/16-32 L=6.5				2
45	SS7120910SP	SCREW 3/16-28 L=9				1
46	SS8150710TP	SCREW 15/64-28 L=7				1
47	SS8150710TP	SCREW 15/64-28 L=7				2

FEED MECHANISM COMPONENTS

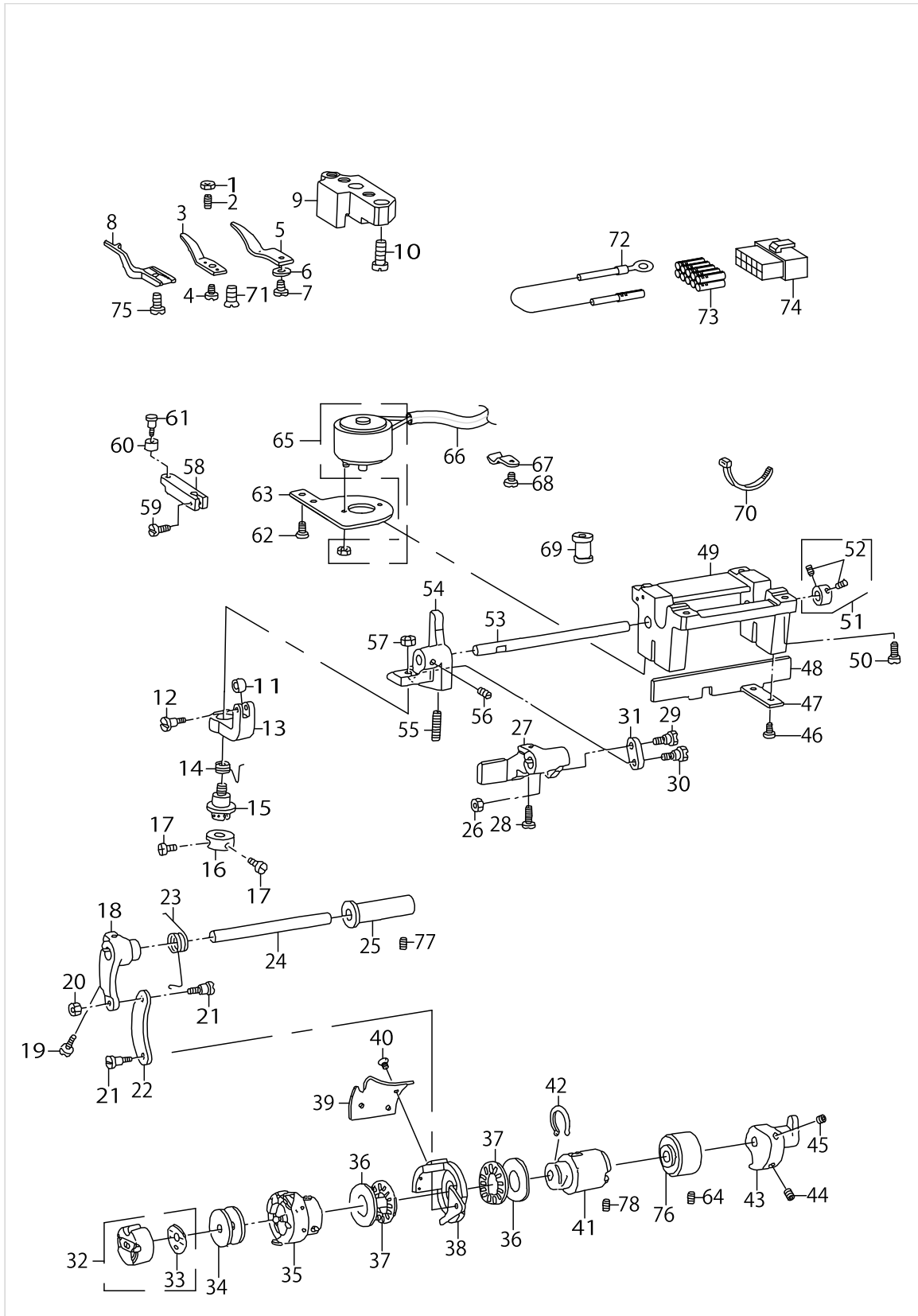


FEED MECHANISM COMPONENTS

No.	Parts No.	Parts name	Remarks	Level	Cons	Qty
48	SS8620610TP	SCREW 3/16-32 L=6				1
49	SS9660910SP	SCREW 1/4-40 L=9.4	FOR DU-141H-4-1,-7-00			1
50	SS9660720SP	SCREW 1/4-40 L=7	FOR DU-141H-4-1,-7-00			1
51	B1638141H00	SCREW				4
52	SD0950802SH	HINGE SCREW D=9.53 H=8				1
53	RO074240100	RUBBER RING				1
54	WZ1052010KP	WAVED WASHER	FOR DU-141H-4-1,-7-00			1
55	B1147141H00	PIN				1
56	B1148141H00	SPRING				1
57	B1701115000	FEED DRIVING SHAFT CONNECTING				1
58	11002904	ROLLER FELT				1
59	B1705141H00	FEED DRIVING SHAFT				1
60	B1208141H00	FEED CAM ASM.				1
61	B1704141H00	FEED LIFTING FORK				1
62	CQ202000000	OIL WICK				0.1
63	CQ202000000	OIL WICK				0.1
64	NS6680410SP	NUT 9/32-28				1
65	SS6110710TP	SCREW 11/64-40 L=6.5				2
66	SD1020961SP	HINGE SCREW D=10.2 H=9.6				1
67	SS7111120SP	SCREW 11/64-40 L=10.5				1
68	B1113012000	CENTER SCREW				2
69	NS6740510SP	NUT 3/8-28				2



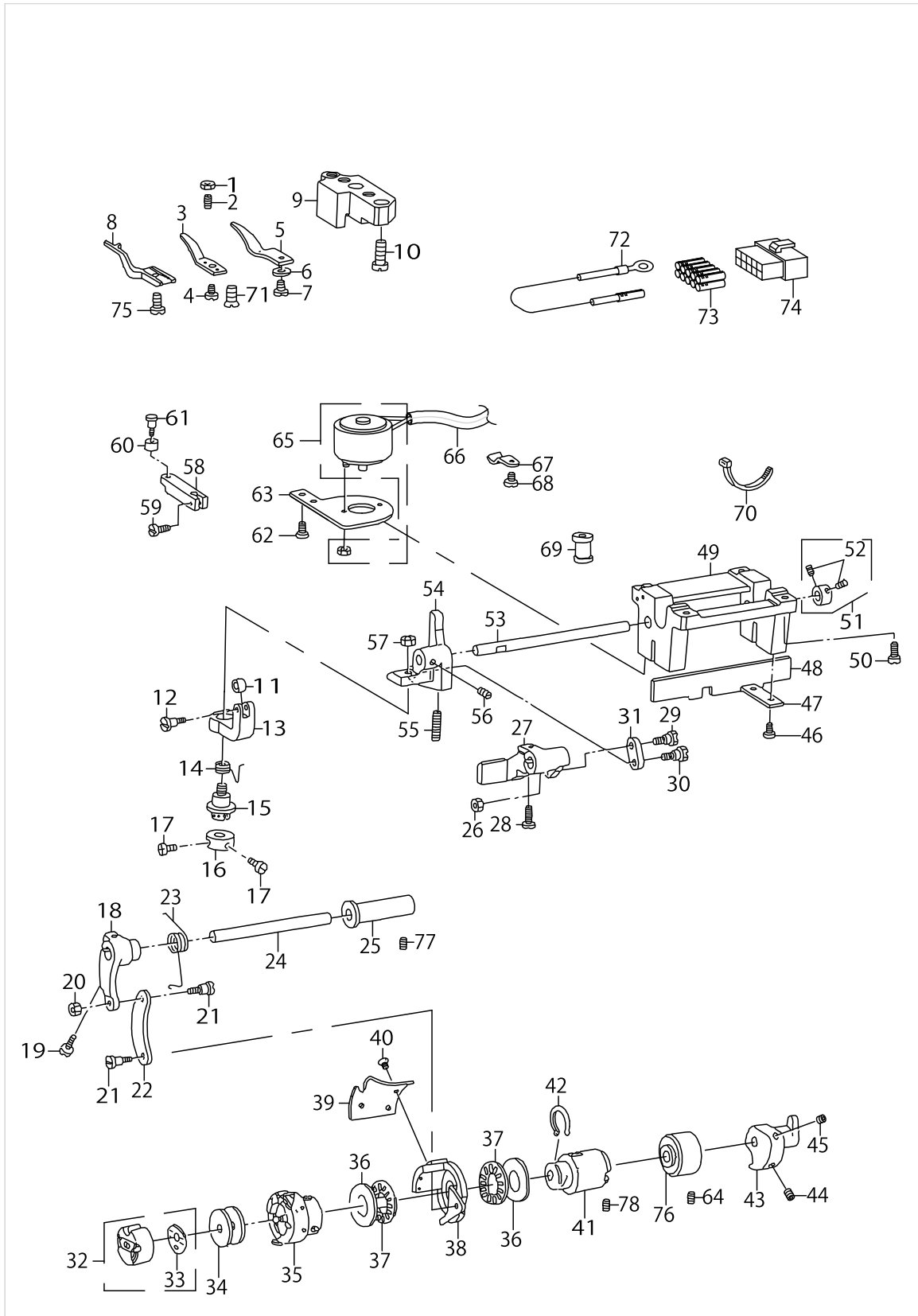
# HOOK & THREAD TRIMMER COMPONENTS



## HOOK & THREAD TRIMMER COMPONENTS

No.	Parts No.	Parts name	Remarks	Level	Cons	Qty
1	NS6080210SP	NUT 1/8-44				1
2	D2443141E00	ADJUSTING SCREW				1
3	D2424141E00	COUNTER KNIFE				1
4	SS7080510TP	SCREW 1/8-44 L=4.5				1
5	D2429241E00	UPPER THREAD CLAMP SPRING				1
6	WP0450000SD	WASHER 4.5X8X0.5				2
7	SS7110410SP	SCREW 11/64-40 L=4				1
8	D1853141E00	BOBBIN CASE POSITIONING FINGER				1
9	D1836141E00	INNER HOOK PRESSER BASE				1
10	SS7111120SP	SCREW 11/64-40 L=10.5				2
11	D2432141E00	CAM ROLLER				1
12	D2444141E00	HINGE SCREW				1
13	D2431141E00	CAM FOLLOWER				1
14	D2435141E00A	SPRING				1
15	D2434141E00A	CAM FOLLOWER SHAFT				1
16	D2439141E00	THRUST COLLAR				1
17	SS6090670TP	SCREW 9/64-40 L=6				2
18	D2418141E00	KNIFE DRIVING SHAFT ARM FRONT				1
19	SS6121212TP	SCREW 3/16-28 L=12.0				1
20	NS6090310SP	NUT 9/64-40				1
21	SD0500301SP	HINGE SCREW D=5 H=3				2
22	D2411141E00	CONNECTING LINK				1
23	D2420141E00	SPRING				1
24	D2421141E00	KNIFE DRIVING SHAFT				1
25	D2422141E00	KNIFE DRIVING SHAFT BUSHING				1
26	NS6110310SP	NUT 11/64-40				1
27	D2417241E00	KNIFE DRIVING SHAFT ARM REAR				1
28	SS6121212TP	SCREW 3/16-28 L=12.0				1
29	D2441141E00	HINGE SCREW				1
30	D2442141E00	HINGE SCREW B				1
31	D2436141E00	CONNECTING LINK				1
32	D1837141EA0	BOBBIN CASE ASM.				1
33	D1838141E00	BOBBIN CASE SPRING		*		1
34	D9117141E00	BOBBIN				1
35	D1830141EA0	HOOK ASM. (KHS20-RMPN)				1
36	D2455141E00	RING				2
37	D2454141E00	BEARING				2
38	D2415141E00A	ROTATING KNIFE BASE				1
39	D2423141E00	MOVING KNIFE				1
40	SS2090620SP	SCREW 9/64-40 L=5.5				2
41	D1802141E00A	BUSHING FRONT				1
42	RC1850001KP	SNAP RING 18.5				1
43	D2430141E00	THREAD TRIMMER CAM				1
44	SM8060812TP	SCREW M6 L=8				1
45	SM8060612TP	SCREW M6 L=6				1
46	SS7110710SP	SCREW 11/64-40 L=7				2
47	D2440141E00	PRESSER PLATE				1

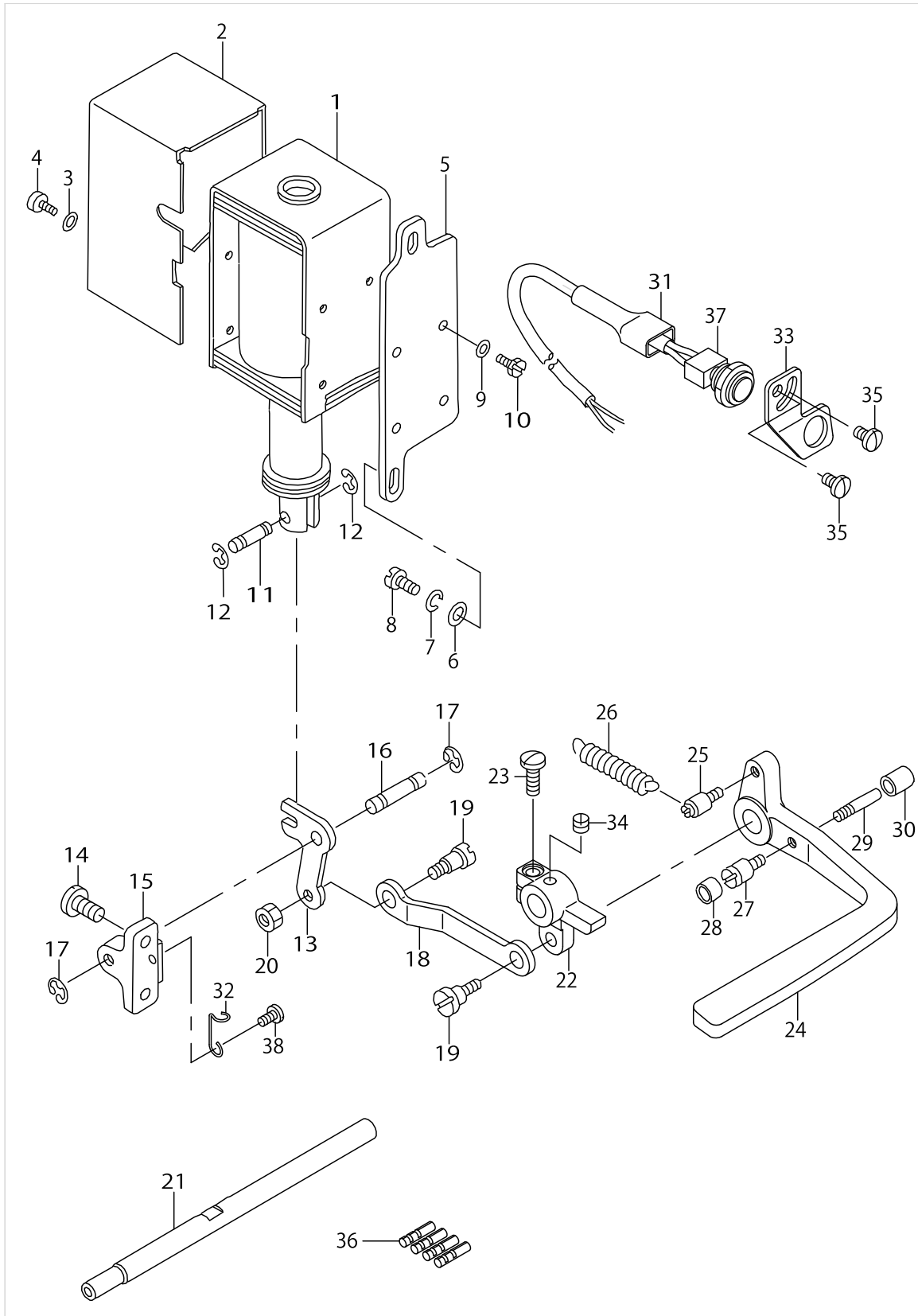
# HOOK & THREAD TRIMMER COMPONENTS



HOOK & THREAD TRIMMER COMPONENTS

No.	Parts No.	Parts name	Remarks	Level	Cons	Qty
48	D2410141E00	THREAD TRIMMER DRIVING PLATE				1
49	D2416141E00	THREAD TRIMMER BASE				1
50	SS6151440SP	SCREW 15/64-28 L=14				4
51	CS080081ASH	THRUST HOLDER ASM. D=8 W=8				1
52	SS8110320SP	SCREW 11/64-40 L=3.2		*		2
53	D2419141E00	CAM DRIVING SHAFT				1
54	D2433141E00	CAM DRIVING BASE				1
55	D2445141E00	SCREW A				1
56	SS8110320SP	SCREW 11/64-40 L=3.2				1
57	NS6660430SP	NUT 1/4-40				1
58	D2427141E00	SOLENOID ARM				1
59	SS7110910SP	SCREW 11/64-40 L=8.5				1
60	B3031141H00	CONNECTING STUD				1
61	D2434245E00	SCREW				1
62	SS7110710SP	SCREW 11/64-40 L=7				2
63	D2426141E00	SOLENOID INSTALLING PLATE				1
64	SS8110320SP	SCREW 11/64-40 L=3.2				1
65	D2425141E00	SOLENOID				1
66	D2428141E00	CORD TUBE 5X0.4				1.7
67	B3538112000	OIL RETURN TUBE HOLDER				2
68	SS7110710SP	SCREW 11/64-40 L=7				2
69	D2414141E00	LORD BUSHING				1
70	EA9500B0100	CABLE BAND				3
71	SS1080620SP	SCREW 1/8-44 L=6				1
72	11044054	GROUND WIRE ASM.	FOR DU-141H-7(SC-1)			1
73	HK03464000B	PIN CONTACT	FOR DU-141H-7			2
74	HK034610140	HOUSING 14P	FOR DU-141H-7			1
75	SS7111810TP	SCREW 11/64-40 L=18				1
76	D1803141E00	BUSHING INTERMEDIATE				1
77	SS8150710TP	SCREW 15/64-28 L=7				1
78	SS8150710TP	SCREW 15/64-28 L=7				1

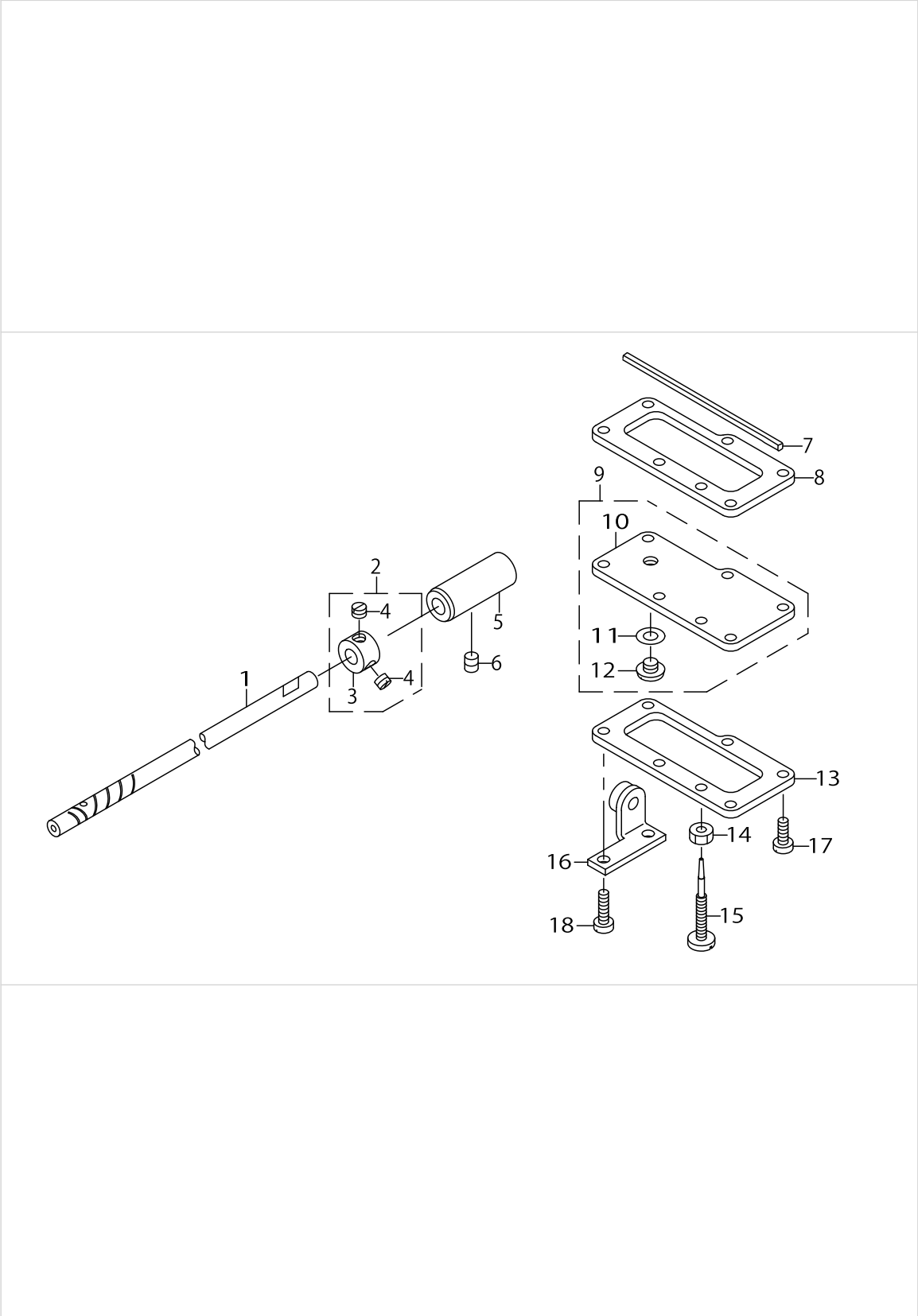
# REVERSE FEED MECHANISM COMPONENTS



REVERSE FEED MECHANISM COMPONENTS

No.	Parts No.	Parts name	Remarks	Level	Cons	Qty
1	10119105	REVERSE FEED SOLENOID AC24V				1
2	10161305	SOLENOID COVER				1
3	WP0501016SD	WASHER 5X10.5X1				4
4	SS7110710SP	SCREW 11/64-40 L=7				4
5	10119204	SOLENOID INSTALLING PLATE				1
6	WP0621016SD	WASHER 6.2X13X1				2
7	WS0631510KP	SPRING WASHER				2
8	SS7151210SP	SCREW 15/64-28 L=12				2
9	WP0501016SD	WASHER 5X10.5X1				4
10	SS9111010SP	SCREW 11/64-40 L=9.5				4
11	D2464555B00	LINK DRIVING MAGNET PIN				1
12	RE0400000K0	E-RING 4				2
13	10119402	LINK				1
14	SS7151210SP	SCREW 15/64-28 L=12				2
15	D1684141E00A	LINK INSTALLING BASE				1
16	D1687141E00	PIN				1
17	RE0600000K0	E-RING 6				2
18	D1686141E00	REVERSE FEED ROD				1
19	SD0720331SP	HINGE SCREW D=7.24 H=3.3				2
20	NS6150430SP	NUT 15/64-28				1
21	D1621141E00	LEVER SHAFT				1
22	D1683141E00	CONNECTING ARM				1
23	SS7121410TP	SCREW 3/16-28 L=14				1
24	D1624141E0A	REVERSE FEED CONTROL LEVER				1
25	10120004	SPRING SUSPENSION				2
26	D1685141E00	LEVER SPRING				1
27	B1114280000	PIN				1
28	10119907	CUSHION				1
29	B2733761000	PIN				1
30	BP300000000	VINYL PIPE				0.01
31	MAT81126T00	2-POLE PLUG COVER				1
32	D1682141E00	SUSPENSION HOOK B				1
33	D1681141E0A	PLATE				1
34	SS8150510TP	SCREW 15/64-28 L=4.7				1
35	SS7110710SP	SCREW 11/64-40 L=7				2
36	HK03464000B	PIN CONTACT				4
37	D1680141EA0	TOUCH BUCK SWITCH ASM				1
38	SS7090710SP	SCREW 9/64-40 L=6.8				1

HOOK DRIVING SHAFT & OIL BASIN COMPONENTS

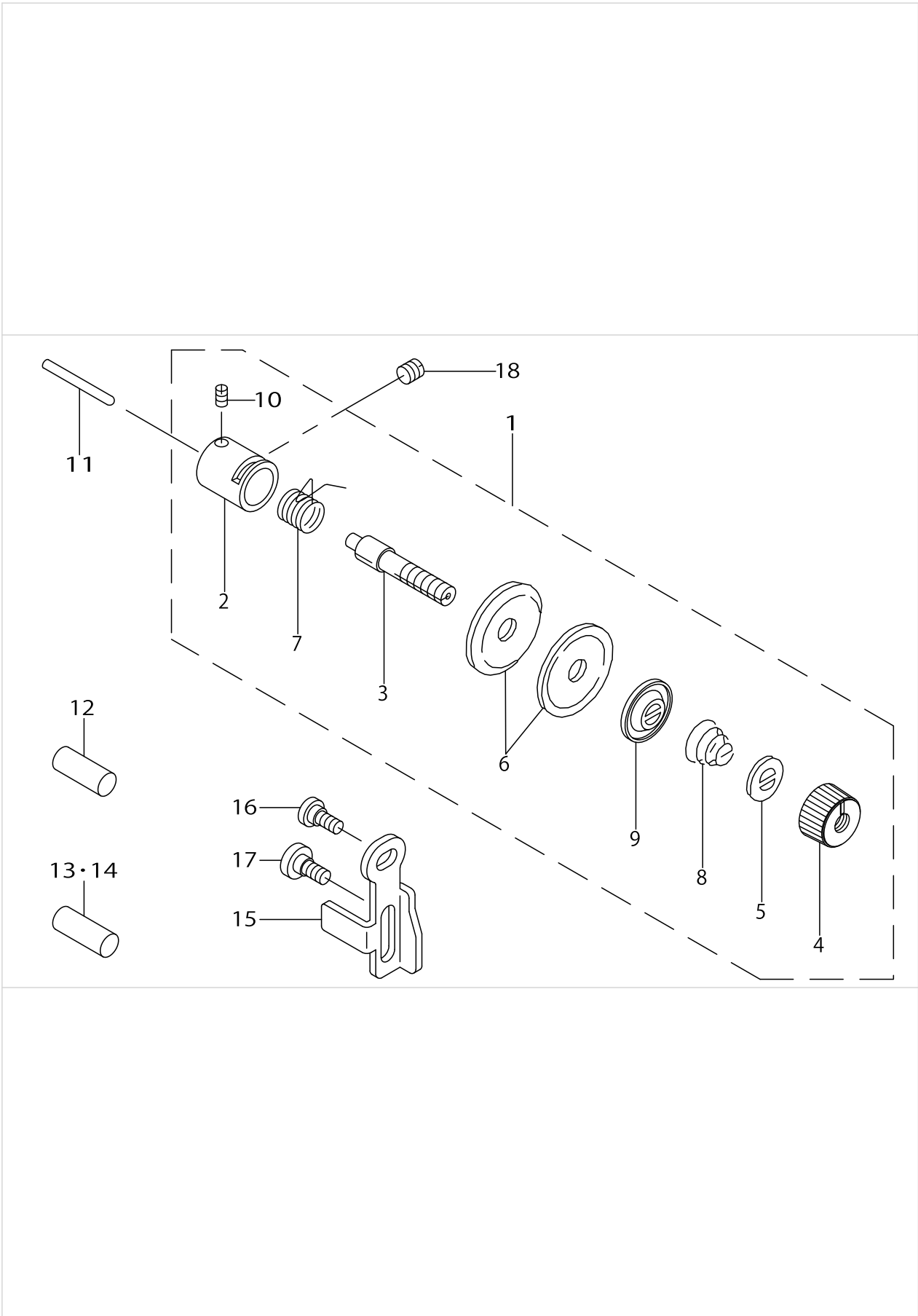


HOOK DRIVING SHAFT & OIL BASIN COMPONENTS

No.	Parts No.	Parts name	Remarks	Level	Cons	Qty
1	B1801141H00	HOOK DRIVING SHAFT				1
2	D1841141EA0	THRUST COLLAR ASM.				1
3	D1841141E00	THRUST COLLAR		*		1
4	SS8660410SP	SCREW 1/4-40 L=4.2		*		2
5	B1806271000	LOWER SHAFT BUSHING REAR				1
6	SS8150710TP	SCREW 15/64-28 L=7				1
7	B1155141H00	OIL PIEP				1
8	D1152141E00	GASKET				1
9	D1151141EA0	OIL RESERVOIR COVER ASM.				1
10	D1151141E00	OIL RESERVOIR COVER		*		1
11	B3508019000	WASHER		*		1
12	SS5660440SP	SCREW 1/4-40 L=4.0		*		1
13	D1154141E00	OIL RESERVOIR COVER PLATE				1
14	NS6110530SP	NUT 11/64-40				1
15	D1153141E00	OIL ADJUSTING SCREW				1
16	D2438241EA0	STOPPER PLATE ASM.				1
17	SS6111210SP	SCREW 11/64-40 L=12				4
18	SS6111620SP	SCREW 11/64-40 L=16.0				2



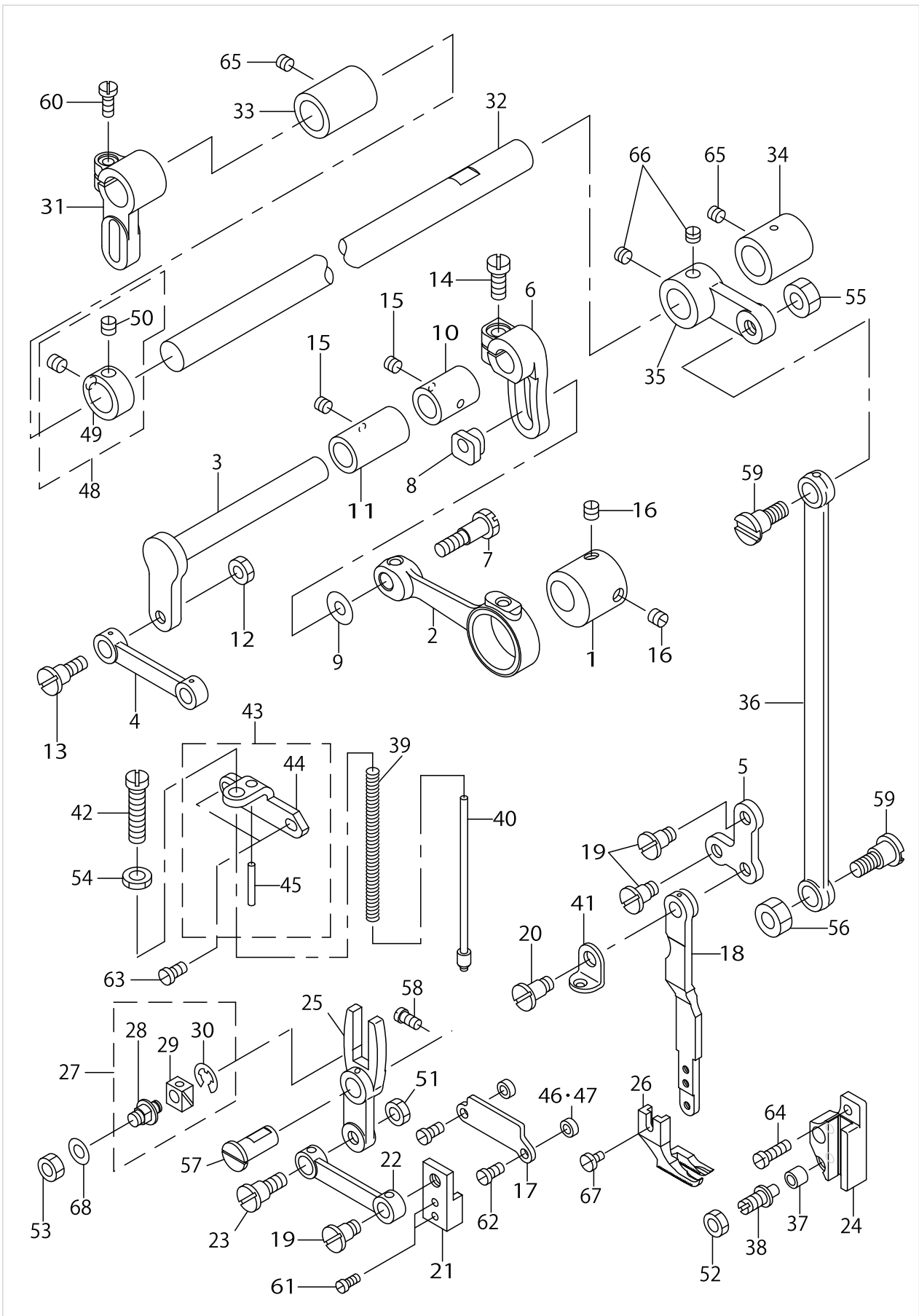
THREAD TENSION COMPONENTS



THREAD TENSION COMPONENTS

No.	Parts No.	Parts name	Remarks	Level	Cons	Qty
1	D3111141EAA	THREAD TENSION ASM.				1
2	B3111126000	TENSION POST SOCKET		*		1
3	B3115552000	TENSION POST		*		1
4	11072204	TENSION NUT		*		1
5	B3120125000	ROTATING STOPPER		*		1
6	B3126012000	THREAD TENSION DISK		*		2
7	B3128012000	TAKE-UP SPRING		*		1
8	B3129053000	TENSION SPRING		*		1
9	B3132552000	THREAD TENSION DISK PRESSER		*		1
10	SS8090670SP	SCREW 9/64-40 L=5.5		*		1
11	B3118552F00	TENSION RELEASING PIN				1
12	B2607372000	RUBBER WASHER				2
13	D3142141E0A	PIN B				1
14	D3142141E00	PIN B	SELECTIVE PARTS			1
15	B3134141H00	TENSION RELEASE PLATE				1
16	SD0600271SP	HINGE SCREW D=6 H=2.7				1
17	SD0600321SP	HINGE SCREW D=6 H=3.2				1
18	SS8150710SP	SCREW 15/64-28 L=7				1

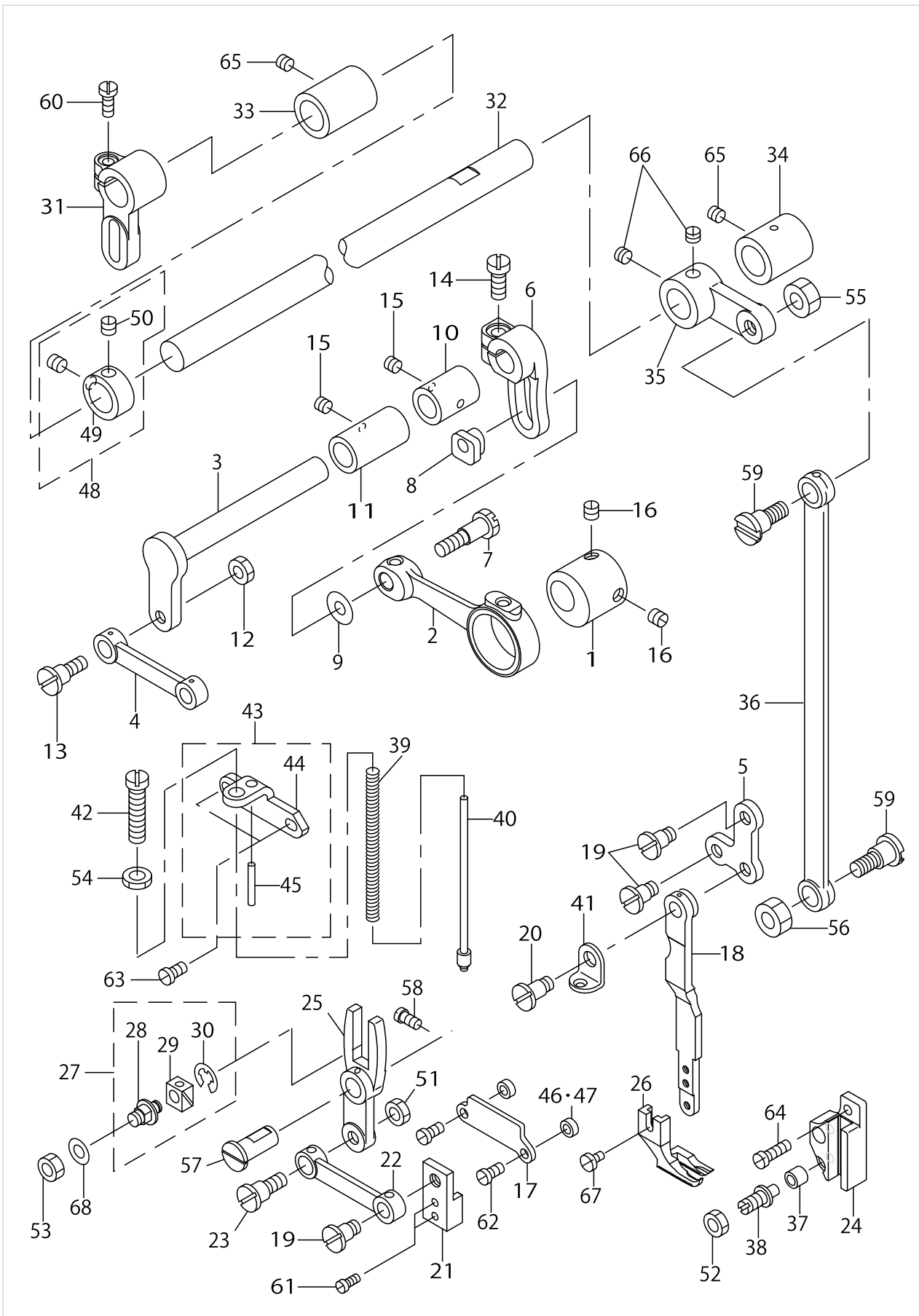
UPPER FEED MECHANISM COMPONENTS



UPPER FEED MECHANISM COMPONENTS

No.	Parts No.	Parts name	Remarks	Level	Cons	Qty
1	B3001141H00	FEED DRIVE ECCENTRIC CAM				1
2	B3002141H00	CRANK CONNECTING ROD				1
3	B3003141H00A	UPPER FEED DRIVING SHAFT				1
4	B3005141H00	CONNECTING LINK				1
5	B3006141H00	L-SHAPED LINK				1
6	B3007141H00	UPPER FEED SPRING ROD				1
7	B3008141H00	HINGE SCREW				1
8	B3009141H0A	NUT				1
9	B3010141H00	WASHER				1
10	B3011141H00	BUSHING				1
11	B3011141H0A	BUSHING FRONT				1
12	NS6150310SP	NUT 15/64-28				1
13	SD0850751SP	HINGE SCREW D=8.50 H=7.5				1
14	SS6151440SP	SCREW 15/64-28 L=14				1
15	SS8150510TP	SCREW 15/64-28 L=4.7				2
16	SS8660610TP	SCREW 1/4-40 L=6				2
17	B3012141H00A	WALKING BAR DRIVING LINK				1
18	B3014141H00B	L-SHAPED ROD				1
19	B3015141H00	HINGE SCREW				3
20	B3016141H00	HINGE SCREW B				1
21	B3017141H00B	CONNECTING LINK HOLDER				1
22	B3005141H00	CONNECTING LINK				1
23	SD0850751SP	HINGE SCREW D= 8.50 H=7.5				1
24	B3020141H00	SLIDE BLOCK GUIDE				1
25	B3038141H00	SLIDE FORK				1
26	B1526141H0A	PRESSER FOOT				1
27	B3023141HA0A	SLIDE BLOCK ASM.				1
28	B3023141H00A	SLIDE BLOCK PIN		*		1
29	B3024141H00	SLIDE BLOCK		*		1
30	RE0400000K0	E-RING 4		*		1
31	B3025141H00A	CONNECTING ARM				1
32	B3026141H00	UPPER FEED DRIVING SHAFT				1
33	10106102	BUSHING				1
34	B3028141H00	BUSHING REAR				1
35	40031287	DRIVING SHAFT ROD				1
36	B3030141H00	DRIVING ROD				1
37	B3031141H00	CONNECTING STUD				1
38	B3032141H00	CONNECTING STUD SHAFT				1
39	B3033141H00	SPRING				1
40	B3034141H00	SPRING POLE				1
41	B3035141H00	RETAINING PLATE				1
42	B3036141H00	ADJUSTING THUMB SCREW				1
43	B3037141HA0	SPRING BASE ASM.				1
44	B3037141H00	SPRING BAR		*		1
45	PS0300201KP	SPRING PIN 3.0X20		*		1
46	B3013141H0A	WASHER				2
47	B3013141H0B	WASHER	SELECTIVE PARTS			2

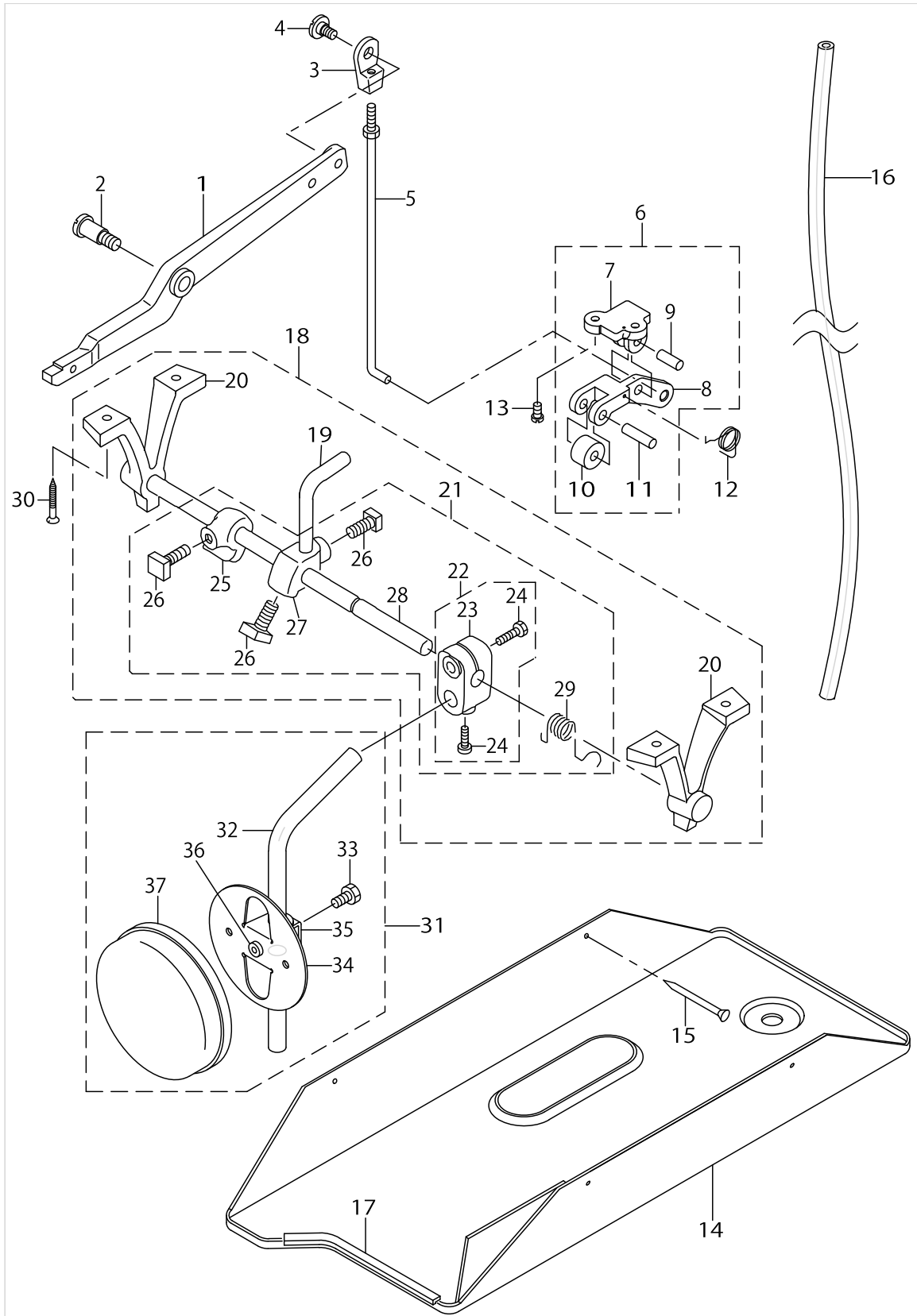
UPPER FEED MECHANISM COMPONENTS



UPPER FEED MECHANISM COMPONENTS

No.	Parts No.	Parts name	Remarks	Level	Cons	Qty
48	22904155	MAIN SHAFT THRUST COLLAR ASM.				1
49	22904106	MAIN SHAFT THRUST COLLAR		*		1
50	SS8660610TP	SCREW 1/4-40 L=6		*		2
51	NS6150310SP	NUT 15/64-28				1
52	NS6660430SP	NUT 1/4-40				1
53	NS6160520SP	NUT 1/4-24				1
54	NS6680320SP	NUT 9/32-28				1
55	NS6680410SP	NUT 9/32-28				1
56	NS6680320SP	NUT 9/32-28				1
57	21272802	BRANCH LINK SHAFT				1
58	SS7120910TP	SCREW 3/16-28 L=9				1
59	SD1020961SP	HINGE SCREW D=10.2 H=9.6				2
60	SS6121210SP	SCREW 3/16-28 L=12				1
61	SS7091110SP	SCREW 9/64-40 L=10.5				2
62	SS7110910SP	SCREW 11/64-40 L=8.5				2
63	SS7111120SP	SCREW 11/64-40 L=10.5				2
64	SS7111410TP	SCREW 11/64-40 L=14				3
65	SS8150510TP	SCREW 15/64-28 L=4.7				2
66	SS8660530TP	SCREW 1/4-40 L=4.5				2
67	SS7090610SP	SCREW 9/64-40 L=6				1
68	WP0650876SD	WASHER 6.5X13X0.8				1

KNEE LIFTER & OIL PAN COMPONENTS

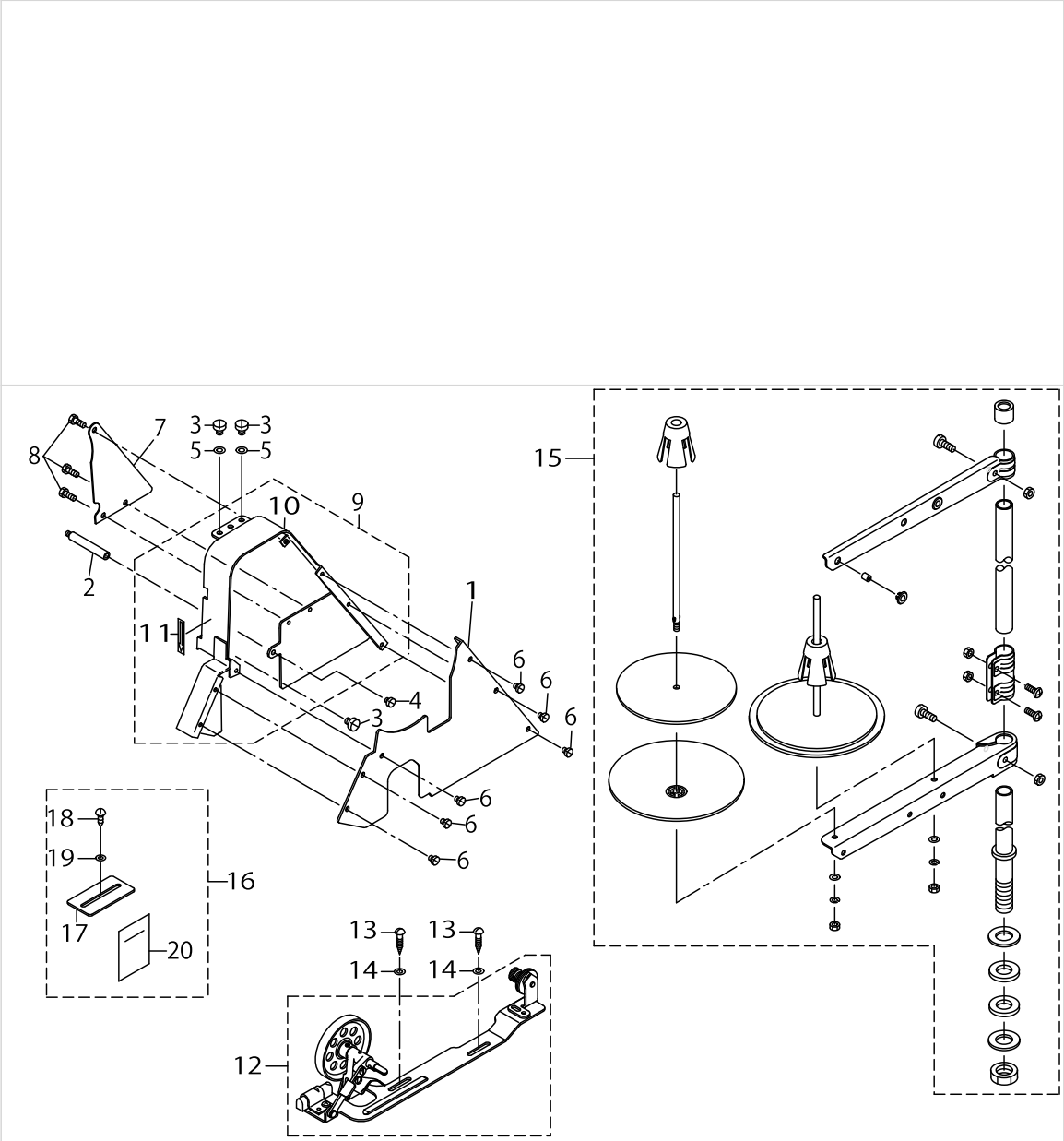


KNEE LIFTER & OIL PAN COMPONENTS

No.	Parts No.	Parts name	Remarks	Level	Cons	Qty
1	D3410141E0AA	KNEE LIFTER				1
2	SD0991551SP	HINGE SCREW D=9.9 H=15.5				1
3	B3416141H00A	SWIVEL				1
4	SD0790351SP	HINGE SCREW D=7.9 H=3.5				1
5	B3415141HA0	CONNECTING ROD VERTICAL				1
6	B3402141HA0A	BELL CRANK BRACKET ASM.				1
7	B3401141H00	BELL CRANK BRACKET		*		1
8	B3402141H00A	BELL CRANK BRACKET		*		1
9	B3403141H00	PIN		*		1
10	B3404141H00	ROLLER		*		1
11	B3405141H00	PIN		*		1
12	B3406141H00	SPRING				1
13	SS7120910SP	SCREW 3/16-28 L=9				2
14	B8217141HA0	OIL RESERVOIR ASM.				1
15	B8210012000	CUSHION SET NAIL				4
16	BP800000000	VINYL TUBE WHITE D=8				0.8
17	MAV02130000	EDGING				0.2
18	B3420141HAA	KNEE LIFTER ASM.				1
19	B3426141H00A	KNEE LIFTING BENT ARM		*		1
20	40032132	SUPPORT		*		2
21	40033892	KNEE LIFTER ASM.		*		1
22	22932453	BRACKET ASM.		*		1
23	22932404	BRACKET		*		1
24	22934707	SCREW		*		2
25	B3434141H00	BRACKET		*		1
26	B3425141H00	MOUNTING BRACKET SET SCREW		*		3
27	B3424141H00	MOUNTING BRACKET		*		1
28	B3420141H0A	MAIN SHAFT		*		1
29	40130335	KNEE TOP ROTARY SPRING		*		1
30	SK3483201SE	WOOD SCREW D=4.8 L=32				4
31	22934251	KNEE PAD PLATE ASM.				1
32	22934608	KNEE PAD UPRIGHT SHAFT		*		1
33	SM9061203SE	SCREW M6 L=12		*		1
34	22934202	KNEE PAD PLATE		*		1
35	22934301	KNEE PAD PLATE SUPPORT		*		1
36	22934400	KNEE PAD PLATE RUBBER		*		1
37	22934509	KNEE PAD PLATE COVER		*		1



THREAD STAND, BELT COVER & BOBBIN WINDER COMPONENTS



THREAD STAND, BELT COVER & BOBBIN WINDER COMPONENTS

No.	Parts No.	Parts name	Remarks	Level	Cons	Qty
1	D8231141E0C	BELT COVER A				1
2	D8232141E00	BELT COVER SUPPORT				1
3	SS7150740SP	SCREW 15/64-28 L=7				3
4	SS6110480SP	SCREW 11/64-40 L=4.3				1
5	WP0621016SD	WASHER 6.2X13X1				2
6	SS7110340SP	SCREW 11/64-40 L=3.2				6
7	D8233141E0A	BELT COVER B	FOR DU-141H-4-1,-7-00			1
8	SS6110480SP	SCREW 11/64-40 L=4.3	FOR DU-141H-4-1,-7-00			3
9	D8230141EAA	BELT COVER (WITH LABEL)				1
10	D8230141E0A	BELT COVER		*		1
11	CM500300001	DIRECTION LABEL		*		1
12	11415866	BOBBIN WINDER COMPL				1
13	SK3482500SC	WOOD SCREW D=4.8 L=25				2
14	WP0501016SC	WASHER 5X10.5X1				2
15	40096354	THREAD STAND ASM.				1
16	10163152	BELT COVER SUPPORT PLATE ASM.	FOR JE			1
17	10163103	BELT COVER SUPPORT PLATE	FOR JE	*		1
18	SK3482500SC	WOOD SCREW D=4.8 L=25	FOR JE	*		1
19	WP0501016SC	WASHER 5X10.5X1	FOR JE	*		1
20	29182508	BELT COVER ENGLISH MANUAL	FOR JE	*		1

TABLE COMPONENTS

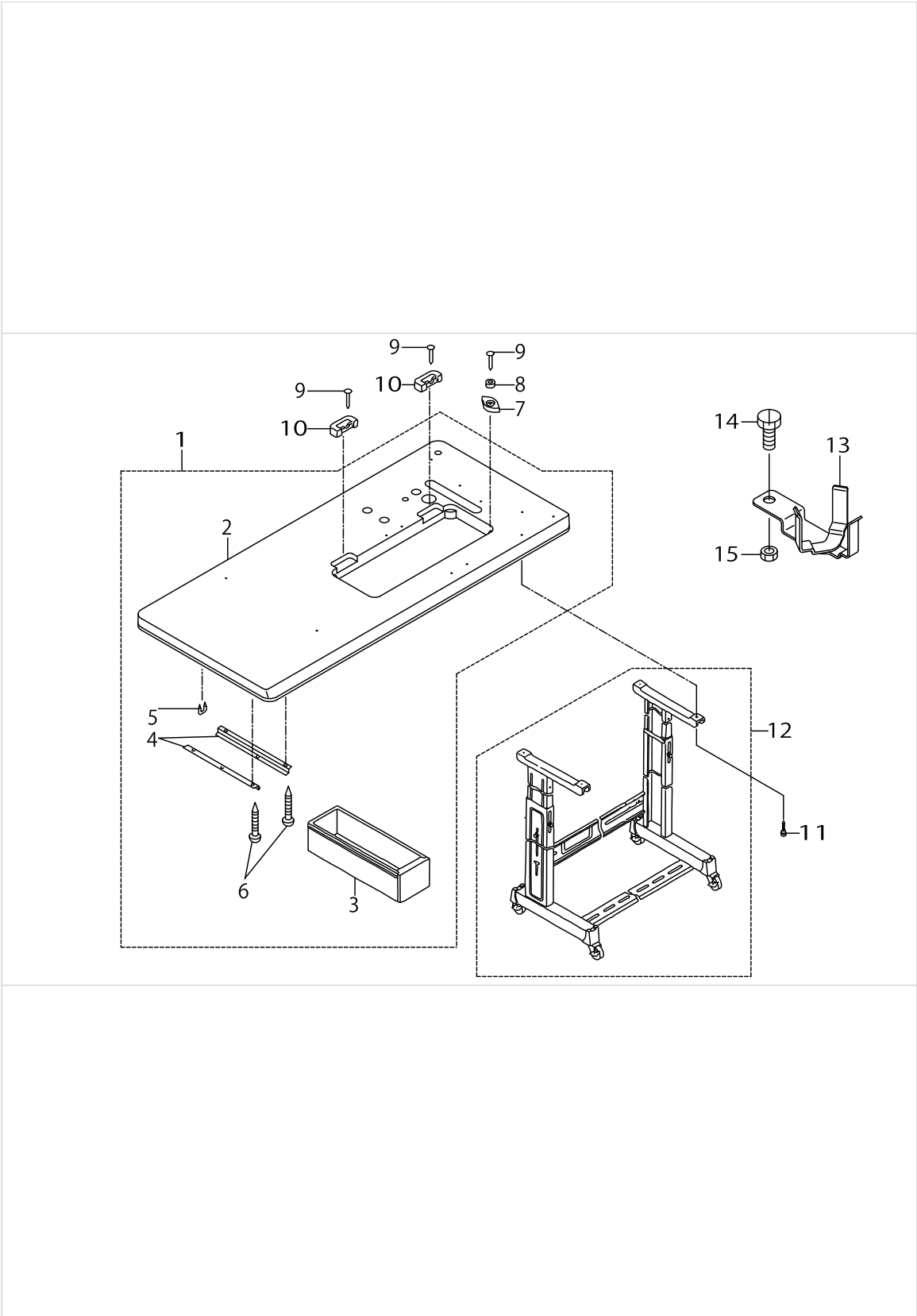
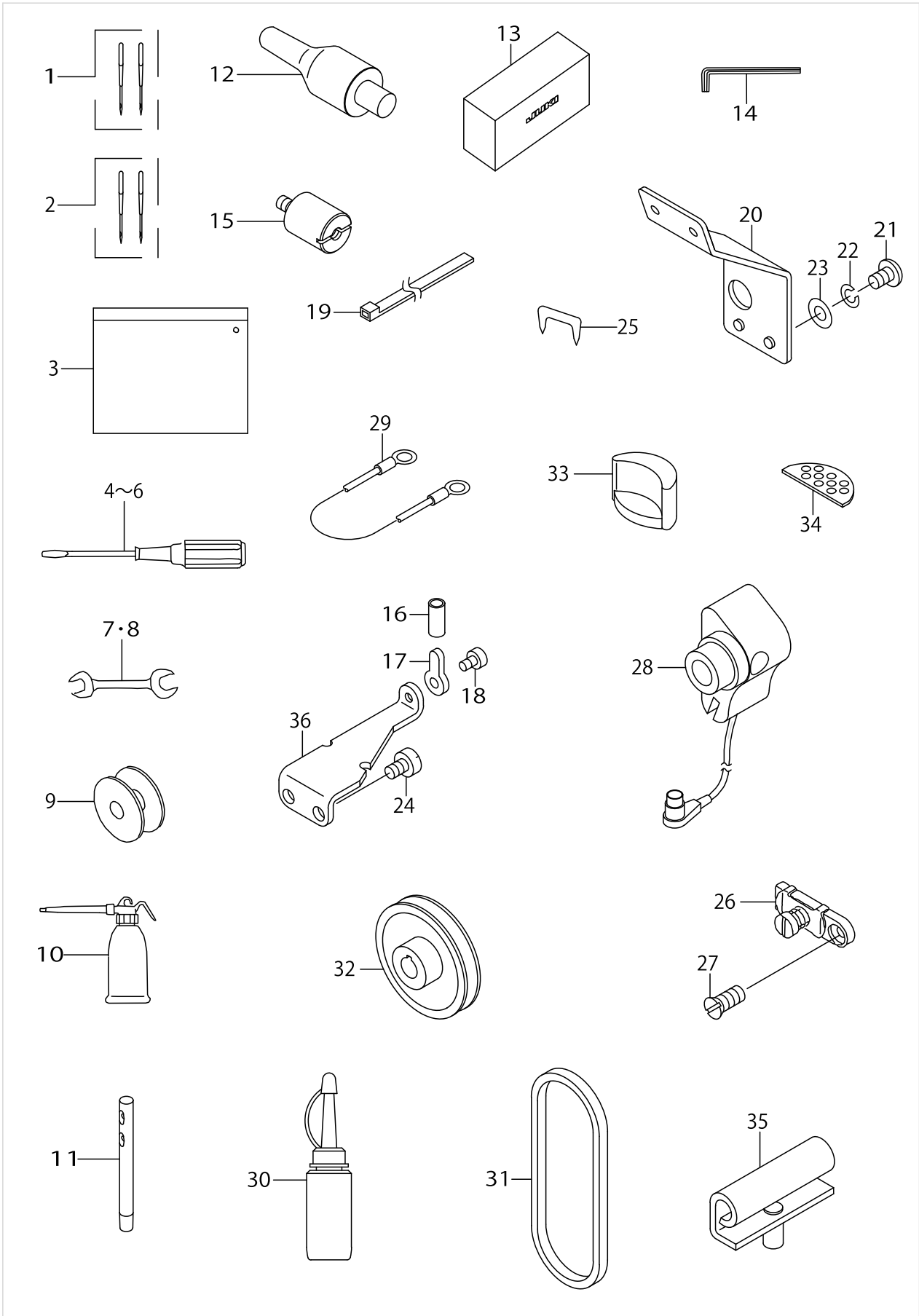


TABLE COMPONENTS

No.	Parts No.	Parts name	Remarks	Level	Cons	Qty
1	D8201141HA0	TABLE ASM.				1
2	D8201141H00	TABLE		*		1
3	11155108	DRAWER		*		1
4	11155207	DRAWER SUPPORT		*		2
5	D8204555D00	DRAWER STOPPER		*		1
6	SK3311600SE	WOOD SCREW D=3.1 L=16		*		6
7	B8209012000	RUBBER CUSHION				4
8	B8206012000	FELT CUSHION				4
9	10539906	SET NAIL				8
10	11075801	RUBBER SPACER				2
11	ST9053511SR	TAPPING SCREW M5X35				4
12	11157567	T LEG JUNCTION				1
13	11074408	SUPPORT BASE				1
14	SL9082091SE	WASHER HEXAGONAL BOLT				1
15	NM6080001SE	NUT M8				1

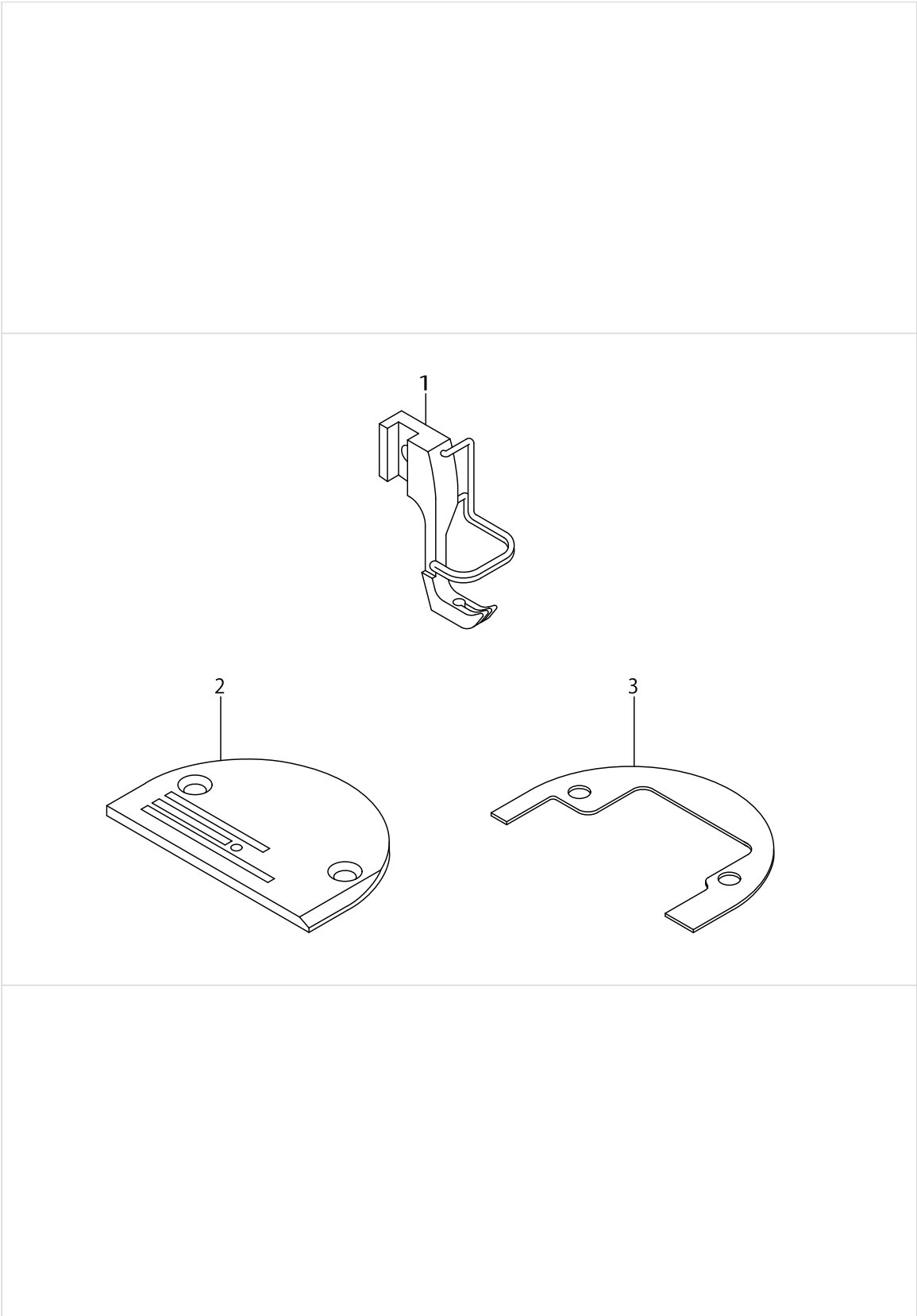
ACCESSORIES PARTS COMPONENTS



ACCESSORIES PAPRTS COMPONENTS

No.	Parts No.	Parts name	Remarks	Level	Cons	Qty
1	MDB100B2102	NEEDLE DBX1#21-2	EXCEPT JE			1
2	MC142501302	NEEDLE 1738 NM130-2	FOR JE			1
3	B9101552000	ACCESSORY BOX				1
4	22933006	SCREW DRIVER LARGE				1
5	22933105	SCREW DRIVER MIDDLE				1
6	22933204	SCREW DRIVER SMALL				1
7	B9112012000	WRENCH (11X14)				1
8	B9113012000	WRENCH (9X10)				1
9	D9117141E00	BOBBIN				1
10	B9121141HA0	OILER ASM.				1
11	22958300	NEEDLE THREAD GUIDE PIN				1
12	14101208	HEAD SUPPORT BAR				1
13	22933303	VINYL COVER				1
14	D9101141E00	WRENCH(5MM)				1
15	40101368	PANEL STUD	FOR DU-141H-7			2
16	BT0630520Z0	HOLDER COVER	FOR DU-141H-7			1
17	D7102141E00	SYNCHRONIZER SUPPORT PLATE				1
18	SS7110710SP	SCREW 11/64-40 L=7				1
19	EA9500B0100	CABLE BAND				1
20	40052256	PANEL THREAD GUIDE	FOR DU-141H-7			1
21	SM4040601SC	SCREW M4X0.7 L=6	FOR DU-141H-7			1
22	WS0410002KN	SPRING WASHER	FOR DU-141H-7			1
23	WP0430800SC	WASHER M4	FOR DU-141H-7			1
24	SS7150940SP	SCREW 15/64-28 L=9				2
25	MAO11532000	CORD STAPLE	FOR DU-141H-4			1
26	D1129141EA0	ARM THREAD GUIDE BOTTOM ASM.				1
27	SS2090710TP	SCREW 9/64-40 L=7.2				1
28	40026920	SYNCHRONIZER ASM.	FOR DU-141H-7			1
29	10741759	GROUND WIRE ASM.				1
30	B91212200A0	OILER (CONTAINING NO.2 OIL)				1
31	MTJVM00400A	V BELT				1
32	MTSP00750B0	MOTOR PULLEY ASM. P.C.D 75				1
33	11076007	FRAME RUBBER CUSHION				2
34	D8226555E00	FRAME RUBBER CUSHION A				2
35	B8213125AA0	HINGE ASM.	FOR DU-141H-7			1
36	D7101141E00	SYNCHRONIZER FIXED PLATE				1

GAUGE COMPONENTS



GAUGE COMPONENTS

No.	Parts No.	Parts name	Remarks	Level	Cons	Qty
1	D1525141EAA	PRESSER FOOT ASM.				1
2	D1105141E0A	NEEDLE PLATE(2.0)				1
3	D1106141E00	WASHER				1





## HOW TO MAKE USE OF THIS PARTS LIST

### 1.Explanation of codes

1)"\*"mark.....means this part is changed from the previous parts book.

As to the details of the change, refer to the "List for information of change".

2)"#01".....refer to "Note" explanation at bottom of page.

### 2.Codes on the "Qty" column

- Each numeral indicates the number of parts required.
- "0.1" and "2.5" indicate the length (in meters) of the respective parts.

3.Parentheses mean that the corresponding part is a subpart that constructs an assembly part.

4.Dotted lines on the Figures indicate assembly parts.

### 1."注記"欄の記号説明

1) "\*"印.....前回のパーツブックに比較して今回変更された部品を意味します。

変更内容は、"変更情報リスト"を参照してください。

2) "#01".....ページ下の"注記"の説明を参照してください。

2.数量欄の数字は、個数を表し、0.1、2.5等の数値は、長さ（単位メートル）を表します。

3.数量欄の（ ）は、組部品を構成している子部品であることを意味します。

4.イラストページの-----枠は、組構成であることを意味します。

NUMERICAL INDEX OF PARTS

PART NO	PAGE	REF NO.	PART NO	PAGE	REF NO.	PART NO	PAGE	REF NO.
10106102	26	33	22934251	30	31	B1301201000	4	22
10119105	20	1	22934301	30	35	B1302271000	4	23
10119204	20	5	22934400	30	36	B1303271000	4	24
10119402	20	13	22934509	30	37	B13050120A0	4	25
10119907	20	28	22934608	30	32	B13052710B0	4	29
10120004	10	17	22934707	30	24	B13061550A0	4	37
10120004	20	25	22958300	36	11	B13071550A0	4	27
10161305	20	2	26028001	10	27	B13072710A0	4	30
10163103	32	17	29182508	32	20	B13081550A0	4	34
10163152	32	16	31255300	12	16	B1408141H00	6	17
10539906	34	9	40026920	36	28	B1411552000	6	16
10741759	36	29	40031287	26	35	B1414555000	6	4
11002904	14	58	40032132	30	20	B1505227T00A	8	3
11044054	18	72	40032259	2	10	B1510155000	8	4
11072204	24	4	40033892	30	21	B1513141H00	8	8
11074408	34	13	40052256	36	20	B1515141H00	8	6
11075801	34	10	40096354	32	15	B1526141H0A	26	26
11076007	36	33	40101368	36	15	B1601141H00	12	4
11155108	34	3	40130335	30	29	B1602141H00	12	8
11155207	34	4	B1103141H00	2	12	B1603141H00	12	6
11157567	34	12	B1105122000	2	38	B1604012000A	12	17
11415205	2	11-37	B1110012000	2	4	B1604141H00	12	7
11415866	32	12	B11100120A0	2	3	B1605141H00	12	5
14101208	36	12	B1111012000	2	5	B1606141H00	12	15
21103304	8	5	B1113012000	14	68	B1606141HA0	12	12
21272802	28	57	B1114280000	20	27	B1611155000A	12	18
21286802	2	7	B1118141H0AA	2	9	B1613141H00	12	10
22901409	6	5	B1121141HAAD	2	1	B1614141H00	12	1
22901805	2	39	B1123141H0A	2	11-37	B1618226000	12	19
22904106	4	13	B1129141H00	2	8	B1619141H00	12	20
22904106	28	49	B1131141H00	2	14	B1621141H00A	12	21
22904155	4	12	B1147141H00	14	55	B1622141H00	12	22
22904155	28	48	B1148141H00	14	56	B1624141H0A	12	24
22906101	6	2	B1155141H00	22	7	B1627226000	12	25
22907000	8	1	B1156115000	2	16	B16331220A0	12	26
22907505	8	2	B1202141H0A	4	2	B1634141H00A	12	3
22907604	8	9	B1203051000	4	40	B1636141H0A	12	11
22907703	8	16	B1203141H00	4	3	B1637141H00	12	9
22932404	30	23	B1204141H00	4	4	B1638141H00	14	51
22932453	30	22	B1208141H00	14	60	B1646201000	12	27
22933006	36	4~6	B1210141H00	6	18	B1647226000	12	28
22933105	36	4~6	B1211141H00	4	7	B1648122000	12	29
22933204	36	4~6	B1211226000	4	8	B1701115000	14	57
22933303	36	13	B1212012000	4	9	B1704141H00	14	61
22934202	30	34	B1213012000	4	10	B1705141H00	14	59

NUMERICAL INDEX OF PARTS

PART NO	PAGE	REF NO.	PART NO	PAGE	REF NO.	PART NO	PAGE	REF NO.
B1705155000	12	13	B3037141HA0	26	43	BP300000000	20	30
B1706155000	12	14	B3038141H00	26	25	BP800000000	30	16
B1801141H00	22	1	B3111126000	24	2	BT0630520Z0	36	16
B1806271000	22	5	B3115552000	24	3	CM300200001	2	44
B1901141H00	6	12	B3118552F00	24	11	CM301300001	2	41
B1901141HA0	6	11	B3120125000	24	5	CM500300001	32	11
B1902115000	6	13	B3126012000	24	6	CQ202000000	2	21
B1903141H00	6	14	B3128012000	24	7	CQ202000000	12	63
B1904115000	6	15	B3129053000	24	8	CQ202000000	14	63
B2607372000	24	12	B3132552000	24	9	CS080081ASH	18	51
B2733761000	20	29	B3134141H00	24	15	CS1111019SH	12	32
B3001141H00	26	1	B3401141H00	30	7	CS111101CSH	12	31
B3002141H00	26	2	B3402141H00A	30	8	D1105141E00	2	2
B3003141H00A	26	3	B3402141HA0A	30	6	D1105141E0A	38	2
B3005141H00	26	22	B3403141H00	30	9	D1106141E00	38	3
B3006141H00	26	5	B3404141H00	30	10	D1126560E00A	2	13
B3007141H00	26	6	B3405141H00	30	11	D1129141EA0	36	26
B3008141H00	26	7	B3406141H00	30	12	D1151141E00	22	10
B3009141H0A	26	8	B3415141HA0	30	5	D1151141EA0	22	9
B3010141H00	26	9	B3416141H00A	30	3	D1152141E00	22	8
B3011141H00	26	10	B3420141H0A	30	28	D1153141E00	22	15
B3011141H0A	26	11	B3420141HAA	30	18	D1154141E00	22	13
B3012141H00A	26	17	B3424141H00	30	27	D1201141E00A	4	1
B3013141H0A	26	46-47	B3425141H00	30	26	D1206141E00	4	5
B3013141H0B	26	46-47	B3426141H00A	30	19	D1227141E0C	4	6
B3014141H00B	26	18	B3434141H00	30	25	D1230552B00	4	36
B3015141H00	26	19	B3503201000	2	17	D1401141E00	6	1
B3016141H00	26	20	B3504201000	2	18	D1403141E00	6	3
B3017141H00B	26	21	B3508019000	22	11	D1418141E00	6	6
B3020141H00	26	24	B3511280000	4	11	D1512141E00	8	7
B3023141H00A	26	28	B3515201000	2	19	D1525141EA0	8	10
B3023141HA0A	26	27	B3517009000	2	36	D1525141EAA	38	1
B3024141H00	26	29	B3527012000	2	20	D1620141E00	12	2
B3025141H00A	26	31	B3538112000	10	18	D1621141E00	20	21
B3026141H00	26	32	B3538112000	18	67	D1623141E0A	12	23
B3028141H00	26	34	B8206012000	34	8	D1624141E0A	20	24
B3030141H00	26	36	B8209012000	34	7	D1680141EA0	20	37
B3031141H00	18	60	B8210012000	30	15	D1681141E0A	20	33
B3031141H00	26	37	B8213125AA0	36	35	D1682141E00	20	32
B3032141H00	26	38	B8217141HA0	30	14	D1683141E00	20	22
B3033141H00	26	39	B9101552000	36	3	D1684141E00A	20	15
B3034141H00	26	40	B9112012000	36	7-8	D1685141E00	20	26
B3035141H00	26	41	B9113012000	36	7-8	D1686141E00	20	18
B3036141H00	26	42	B9121141HA0	36	10	D1687141E00	20	16
B3037141H00	26	44	B91212200A0	36	30	D1802141E00A	16	41

# NUMERICAL INDEX OF PARTS

PART NO	PAGE	REF NO.	PART NO	PAGE	REF NO.	PART NO	PAGE	REF NO.
D1803141E00	18	76	D3111141EAA	24	1	NM6080001SE	34	15
D1830141EA0	16	35	D3142141E00	24	13·14	NS6080210SP	16	1
D1836141E00	16	9	D3142141E0A	24	13·14	NS6090310SP	16	20
D1837141EA0	16	32	D3149141E00	10	16	NS6110310SP	16	26
D1838141E00	16	33	D3151141E00	10	14	NS6110530SP	22	14
D1841141E00	22	3	D3152141E00	10	13	NS6150310SP	26	51
D1841141EA0	22	2	D3153141E00	10	1	NS6150310SP	28	51
D1853141E00	16	8	D3154141E00	10	2	NS6150430SP	20	20
D2410141E00	18	48	D3155141E00	10	8	NS6160520SP	28	53
D2411141E00	16	22	D3156141E00	10	9	NS6660430SP	18	57
D2414141E00	18	69	D3157141E0A	10	5	NS6660430SP	28	52
D2415141E00A	16	38	D3158141E00	10	11	NS6680320SP	28	56
D2416141E00	18	49	D3159141E00	10	12	NS6680410SP	12	64
D2417241E00	16	27	D3160141E00	10	15	NS6680410SP	14	64
D2418141E00	16	18	D3161560EA0	2	40	NS6680410SP	28	55
D2419141E00	18	53	D3410141E0AA	30	1	NS6740510SP	14	69
D2420141E00	16	23	D7101141E00	36	36	PS0300132KH	8	11
D2421141E00	16	24	D7102141E00	36	17	PS0300201KP	26	45
D2422141E00	16	25	D8201141H00	34	2	PS0350102KR	2	23
D2423141E00	16	39	D8201141HA0	34	1	RC1850001KP	16	42
D2424141E00	16	3	D8204555D00	34	5	RE0250000K0	10	10
D2425141E00	18	65	D8226555E00	36	34	RE0400000K0	20	12
D2426141E00	18	63	D8230141E0A	32	10	RE0400000K0	26	30
D2427141E00	18	58	D8230141EAA	32	9	RE0500711KP	12	35
D2428141E00	18	66	D8231141E0C	32	1	RE0600000K0	20	17
D2429241E00	16	5	D8232141E00	32	2	RO074240100	14	53
D2430141E00	16	43	D8233141E0A	32	7	SD0500301SP	16	21
D2431141E00	16	13	D9101141E00	36	14	SD0550271TP	10	22
D2432141E00	16	11	D9117141E00	16	34	SD0600271SP	24	16
D2433141E00	18	54	D9117141E00	36	9	SD0600321SP	24	17
D2434141E00A	16	15	EA9500B0100	18	70	SD0630301SP	10	21
D2434245E00	18	61	EA9500B0100	36	19	SD0640321SP	10	20
D2435141E00A	16	14	EA9502B0500	10	25	SD0720331SP	20	19
D2436141E00	16	31	HK034610140	18	74	SD0790351SP	30	4
D2438241EA0	22	16	HK03464000B	18	73	SD0850751SP	26	23
D2439141E00	16	16	HK03464000B	20	36	SD0950802SH	14	52
D2440141E00	16	47	MAO11532000	36	25	SD0991551SP	30	2
D2441141E00	16	29	MAT81126T00	20	31	SD1020961SP	14	66
D2442141E00	16	30	MAV02130000	30	17	SD1020961SP	28	59
D2443141E00	16	2	MC142501300	6	7·8	SK3311600SE	34	6
D2444141E00	16	12	MC142501302	36	2	SK3482500SC	32	18
D2445141E00	18	55	MDB100B2100	6	7·8	SK3483201SE	30	30
D2454141E00	16	37	MDB100B2102	36	1	SL9082091SE	34	14
D2455141E00	16	36	MTJVM00400A	36	31	SM1030601SA	10	3
D2464555B00	20	11	MTSP00750B0	36	32	SM4030601SC	10	7

NUMERICAL INDEX OF PARTS

PART NO	PAGE	REF NO.	PART NO	PAGE	REF NO.	PART NO	PAGE	REF NO.
SM4040601SC	36	21	SS7110710SP	18	68	SS8660610TP	4	18
SM6031202TP	4	39	SS7110710SP	20	35	SS8660610TP	8	14
SM6051410SC	4	33	SS7110710SP	36	18	SS8660610TP	12	33
SM8060612TP	16	45	SS7110720SP	2	33	SS8660610TP	26	50
SM8060812TP	16	44	SS7110840SP	8	13	SS8660610TP	28	50
SM9061203SE	30	33	SS7110910SP	10	4	SS8660810TP	4	38
SS1080620SP	18	71	SS7110910SP	18	59	SS8681950SP	4	21
SS2090620SP	16	40	SS7110910SP	28	62	SS9111010SP	20	10
SS2090710TP	2	24	SS7111120SP	4	32	SS9660720SP	14	50
SS2090710TP	36	27	SS7111120SP	14	67	SS9660910SP	14	49
SS2110915SP	2	26	SS7111120SP	16	10	ST9053511SR	34	11
SS4080620TP	12	36	SS7111120SP	28	63	TA1250406R0	2	15
SS5090610SP	2	25	SS7111410SP	2	45	WP0320501SC	10	6
SS5660440SP	22	12	SS7111410TP	28	64	WP0430800SC	36	23
SS6060210SP	2	6	SS7111810TP	18	75	WP0450000SD	16	6
SS6090670TP	6	19	SS7112420SP	2	27	WP0501016SC	32	19
SS6090670TP	16	17	SS7120640SP	10	24	WP0501016SD	2	42
SS6110480SP	32	8	SS7120910SP	12	45	WP0501016SD	20	9
SS6110610TP	2	35	SS7120910SP	30	13	WP0621016SD	20	6
SS6110710TP	14	65	SS7120910TP	28	58	WP0621016SD	32	5
SS6111210SP	22	17	SS7121410TP	12	43	WP0650876SD	28	68
SS6111610SP	2	28	SS7121410TP	20	23	WS0410002KN	36	22
SS6111620SP	22	18	SS7150740SP	32	3	WS0631510KP	20	7
SS6121050SP	12	37	SS7150940SP	36	24	WT0530002KS	2	43
SS6121210SP	12	38	SS7151210SP	20	14	WZ1052010KP	14	54
SS6121210SP	28	60	SS7620750SP	12	44			
SS6121212TP	16	28	SS7681750TP	4	20			
SS6151220SP	12	39	SS8090670SP	24	10			
SS6151440SP	18	50	SS8110320SP	18	64			
SS6151440SP	26	14	SS8110410TP	2	34			
SS6661110SP	12	40	SS8110750SP	8	15			
SS7080510TP	6	9	SS8150510TP	20	34			
SS7080510TP	16	4	SS8150510TP	26	65			
SS7090610SP	28	67	SS8150510TP	28	65			
SS7090620TP	2	29	SS8150710SP	24	18			
SS7090710SP	12	41	SS8150710TP	4	15			
SS7090710SP	20	38	SS8150710TP	12	47			
SS7091110SP	8	12	SS8150710TP	18	78			
SS7091110SP	28	61	SS8150710TP	22	6			
SS7110340SP	32	6	SS8151150SP	4	16			
SS7110410SP	16	7	SS8151550SP	4	31			
SS7110510SP	2	30	SS8151550SP	6	10			
SS7110710SP	2	47	SS8620610TP	14	48			
SS7110710SP	10	26	SS8660410SP	22	4			
SS7110710SP	16	68	SS8660530TP	28	66			