

MODEL : MH-486-4/MH-486-5

List No : 0205-10

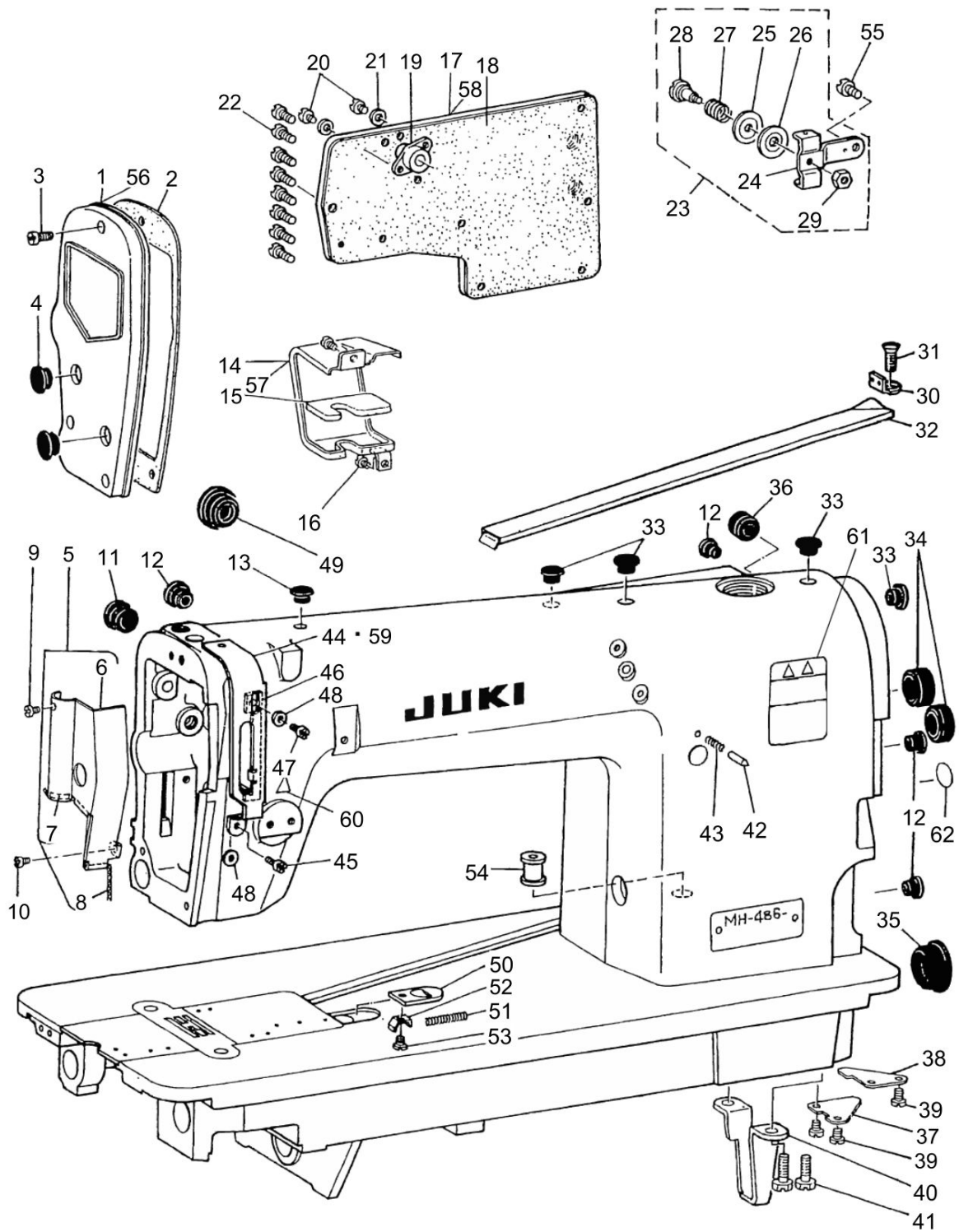
PARTS LIST

Published:09/13/2017

CONTENTS

MACHINE FRAME & MISCELLANEOUS COVER COMPONENTS (1)	1
MACHINE FRAME & MISCELLANEOUS COVER COMPONENTS (2)	5
MAIN SHAFT & NEEDLE BAR COMPONENTS	9
PRESSER BAR, UPRIGHT SHAFT & LOWER SHAFT COMPONENTS	13
FEED MECHANISM COMPONENTS (1).....	17
FEED MECHANISM COMPONENTS (2).....	21
TOP FEED MECHANISM COMPONENTS (1).....	25
TOP FEED MECHANISM COMPONENTS (2).....	29
THREAD DRAW OUT SOLENOID COMPONENTS	31
THREAD SPREADER COMPONENTS.....	35
LOOPER & NEEDLE GUARD COMPONENTS	37
THREAD TENSION CONTROLLER COMPONENTS	41
THREAD TRIMMER COMPONENTS	45
WIPER COMPONENTS.....	49
OIL LUBRICATION MECHANISM COMPONENTS.....	53
OIL RESERVOIR & KNEE LIFTER COMPONENTS.....	55
PF-3: PEDAL/KNEE PRESSER CONTROLLED GATHERING MECHANISM (SPECIAL ORDER	57
PARTS)	
MOTOR PULLY & BELT COVER COMPONENTS	61
TABLE OF EXCHANGING GAUGE PARTS.....	63
THREAD STAND COMPONENTS.....	65
LIST FOR INFORMATION OF CHANGE.....	66
HOW TO MAKE USE OF THIS PARTS LIST	67

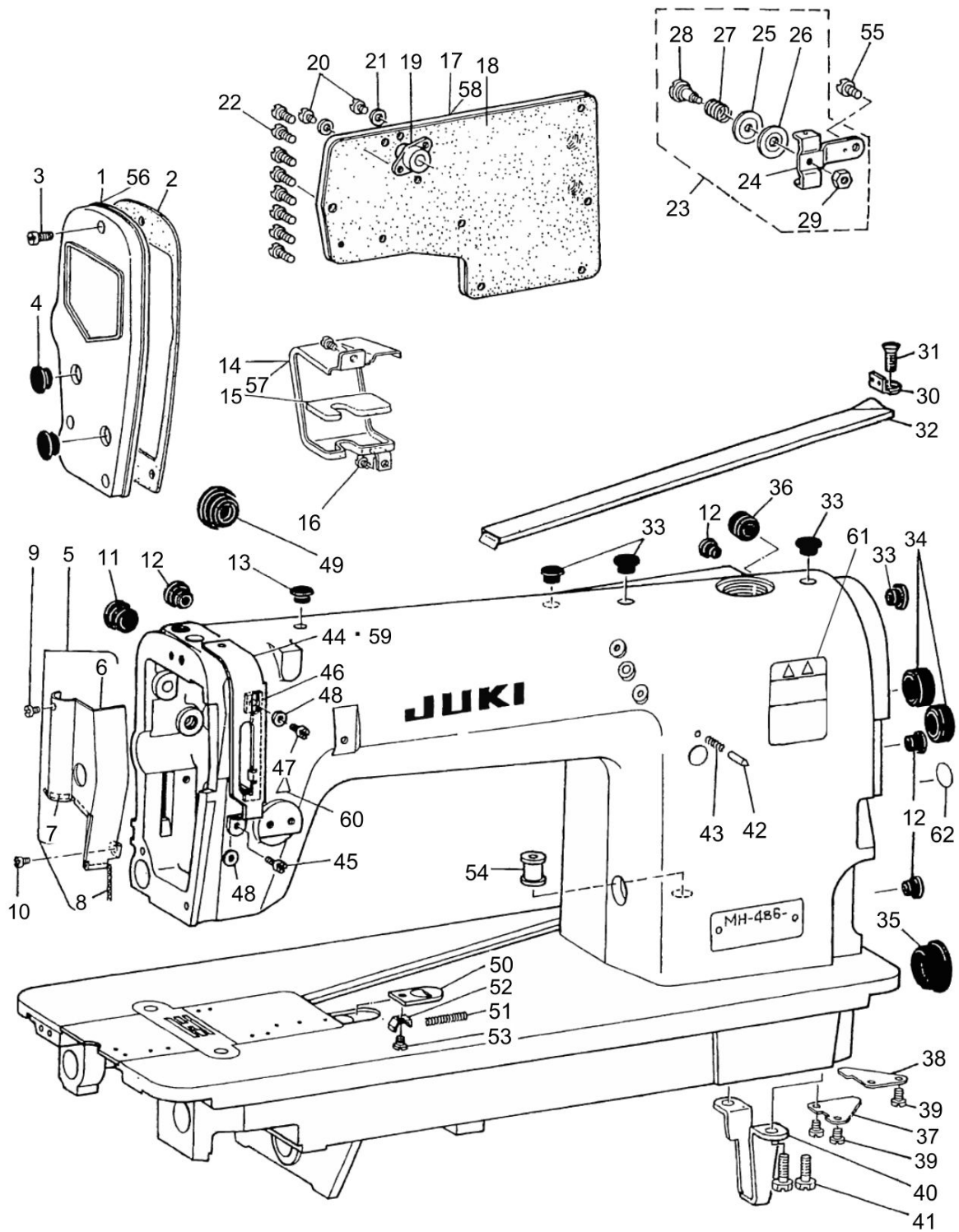
MACHINE FRAME & MISCELLANEOUS COVER COMPONENTS (1)



MACHINE FRAME & MISCELLANEOUS COVER COMPONENTS (1)

No.	Parts No.	Parts name	Remarks	Level	Cons	Qty
1	B11214700A0	FACE PLATE				1
2	B1122470000	GASKET				1
3	SS4111015SP	SCREW 11/64-40 L=10				1
4	TA1250406R0	RUBBER PLUG D=12.5 L=4				2
5	B11304810A0	ARM OIL SHIELD ASM.				1
6	B1130481000A	ARM OIL SHIELD		*		1
7	B1131481000	NON-WOVEN FABRIC		*		1
8	B1132481000	OIL WICK		*		1
9	SS6080320SP	SCREW 1/8-44 L=2.5				1
10	SS4110515SP	SCREW 11/64-40 L=5				1
11	TA1250406R0	RUBBER PLUG D=12.5 L=4				1
12	TA0750704R0	RUBBER PLUG				4
13	TA1050504R0	RUBBER PLUG				1
14	B1151490000	UPPER FEED COVER				1
15	B1152450000A	FELT				1
16	SS6090610SP	SCREW 9/64-40 L=5.5				2
17	D1118481C00	SIDE PLATE				1
18	B1119481000	GASKET				1
19	D3111481CA0	TENSIONRELEASESHAFTCOLLARASM.				1
20	SS6090630SP	SCREW 9/64-40 L=6				2
21	B3534012000	GASKET				2
22	SS4110815SP	SCREW 11/64-40 L=8				8
23	D1913481CA0	THREAD GUIDE ASM.				1
24	D1913481C00	THREAD GUIDE		*		1
25	B3148123000	TENSION DISC		*		1
26	D1917481C00	TENSION DISC (LOWER)		*		1
27	D1914481C00A	TENSION THREAD GUIDE SPRING		*		1
28	B1916481000	TAKE-UP THREAD TENSION POST		*		1
29	NS6060310SP	NUT 3/32-56		*		1
30	B2201481000A	LOOPER THREAD GUIDE				1
31	SS1110710SP	SCREW 11/64-40 L=7				1
32	B2202481000	LOOPER THREAD GUIDE TUBE				1
33	TA1250705R0	RUBBER PLUG				4
34	TA2101002R0	RUBBER PLUG				2
35	TA2351305R0	RUBBER PLUG				1
36	TA1701002R0	RUBBER PLUG				1
37	B1134481000	BED OIL SHIELD				1
38	B1135481000	BED OIL SHIELD (B)				1
39	SS7110510SP	SCREW 11/64-40 L=5				3
40	B1104487000	BED SUPPORT PLATE				1
41	SS9151120CP	SCREW 15/64-28 L=11				2
42	22912000	FEED REGULATOR PIN				1
43	22912109	FEED REGULATOR PIN SPRING				1
44	B1904481000	THREAD TAKE-UP LEVER GUARD				1
45	SS4110515SP	SCREW 11/64-40 L=5				1
46	B1903481000	TAKE-UP THREAD TENSION LEVER				1
47	SS4110515SP	SCREW 11/64-40 L=5				1

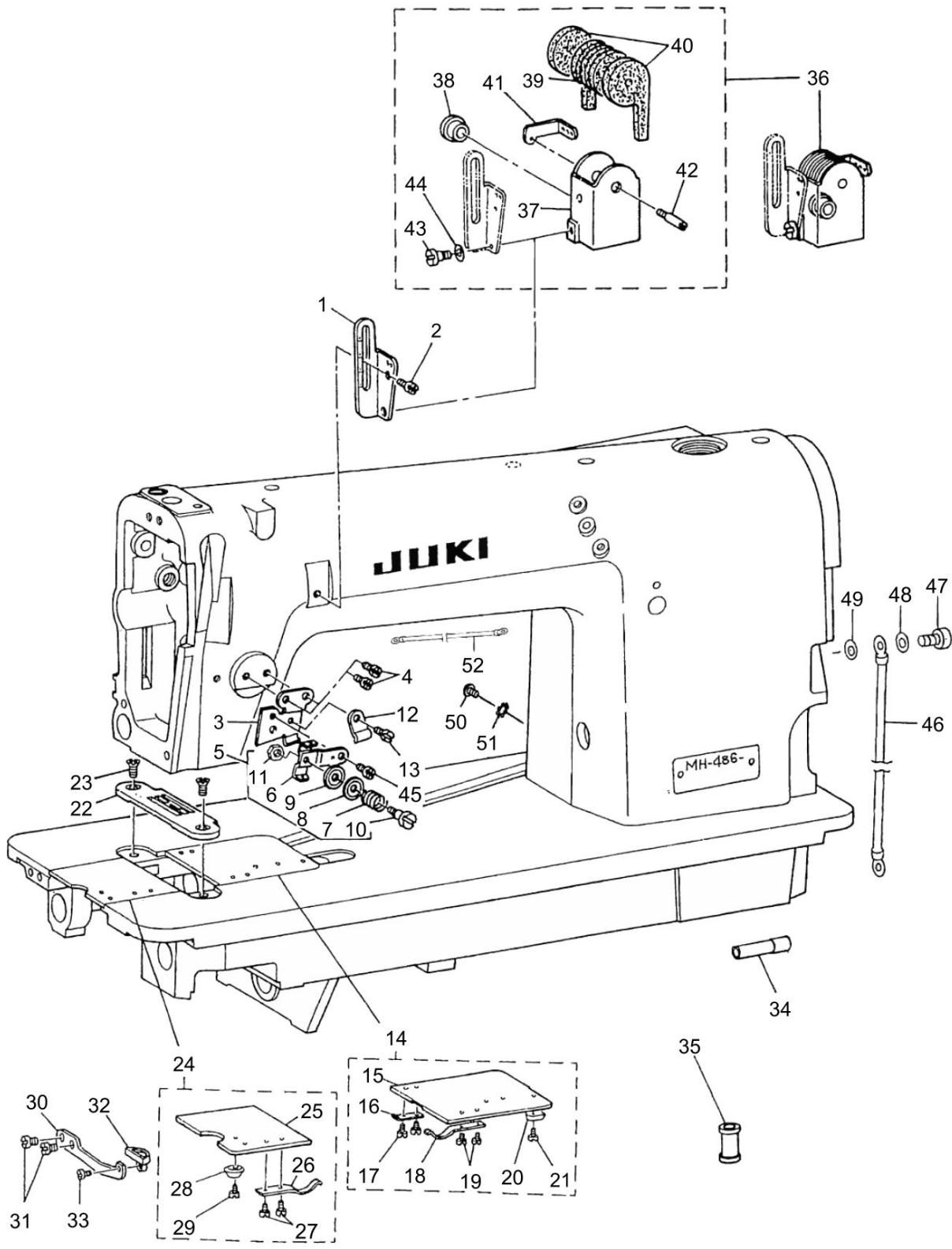
MACHINE FRAME & MISCELLANEOUS COVER COMPONENTS (1)



MACHINE FRAME & MISCELLANEOUS COVER COMPONENTS (1)

No.	Parts No.	Parts name	Remarks	Level	Cons	Qty
48	WP0480856SP	WASHER 4.8X8.4X0.8				2
49	TA2100904R0	RUBBER PLUG				1
50	B1110481000A	CAM COVER LATCH				1
51	B1111481000	SPRING				1
52	B1112481000A	SPRING SUSPENSION				1
53	SS6080320SP	SCREW 1/8-44 L=2.5				1
54	D2467555B00	RUBBER PLUG				1
55	SS7110510SP	SCREW 11/64-40 L=5				1
56	B11214700AA	FACE PLATE ASM.	FOR URBAN WHITE			1
57	B115149000A	UPPER FEED COVER	FOR URBAN WHITE			1
58	D1118481C0A	SIDE PLATE	FOR URBAN WHITE			1
59	B190448100A	THREAD TAKE-UP LEVER COVER	FOR URBAN WHITE			1
60	CM300200001	ATTENTION SEAL	FOR JE,USE IN JAPAN			1
61	CM301200001	SAFETY LABEL_S				1
62	22901805	GROUND MARK				1

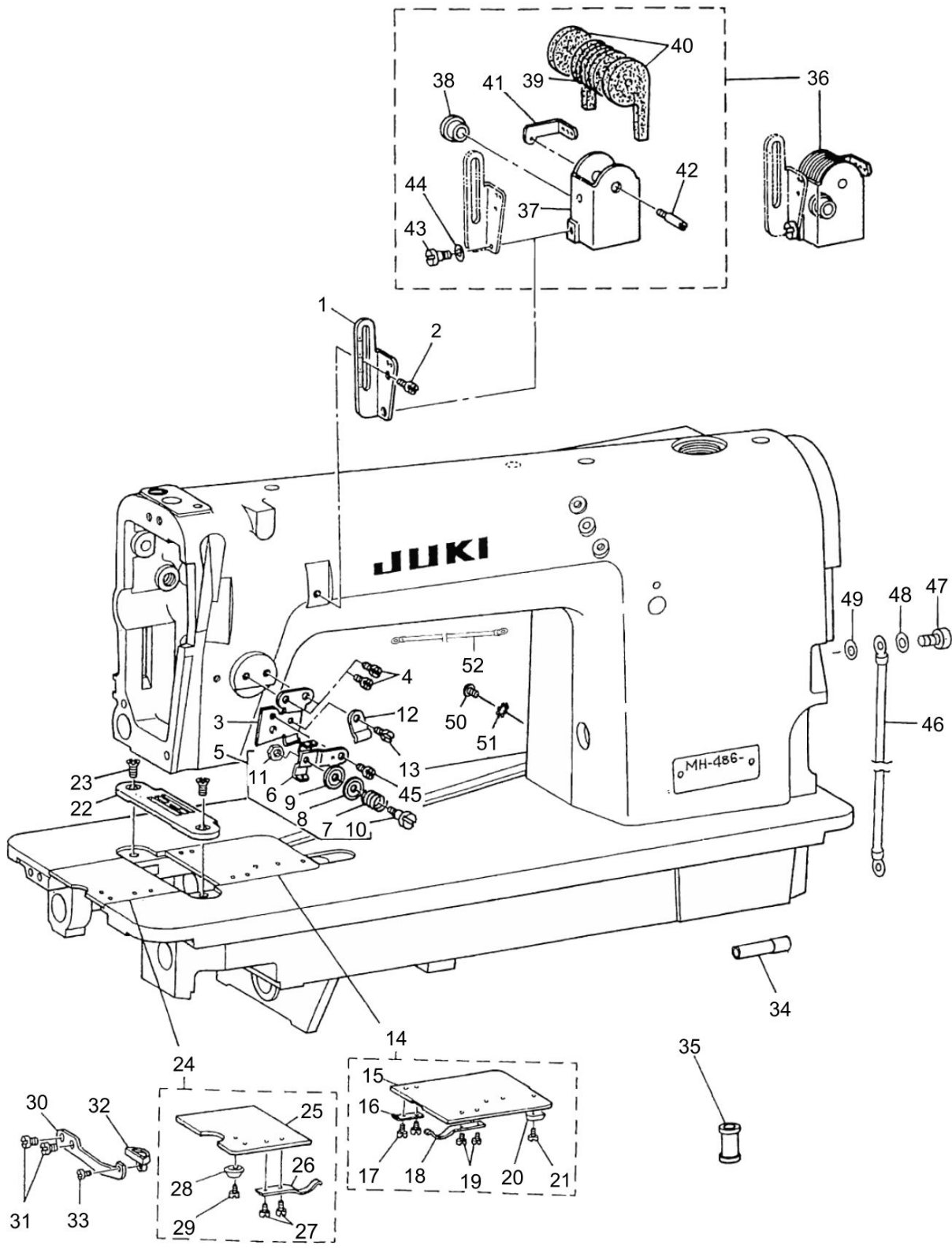
MACHINE FRAME & MISCELLANEOUS COVER COMPONENTS (2)



MACHINE FRAME & MISCELLANEOUS COVER COMPONENTS (2)

No.	Parts No.	Parts name	Remarks	Level	Cons	Qty
1	B1905380000	FRAME THREAD EYELET				1
2	SS4110515SP	SCREW 11/64-40 L=5				1
3	D1912481C00A	TENSION THREAD GUIDE				1
4	SS4110515SP	SCREW 11/64-40 L=5				2
5	D1913481CA0	THREAD GUIDE ASM.				1
6	D1913481C00	THREAD GUIDE		*		1
7	D1914481C00A	TENSION THREAD GUIDE SPRING		*		1
8	B3148123000	TENSION DISC		*		1
9	D1917481C00	TENSION DISC (LOWER)		*		1
10	B1916481000	TAKE-UP THREAD TENSION POST		*		1
11	NS6060310SP	NUT 3/32-56		*		1
12	D3916481C00	TUBE HOLDER				1
13	SS4110515SP	SCREW 11/64-40 L=5				1
14	B11064810A0A	CAM COVER ASM.				1
15	B1106481000A	CAM COVER		*		1
16	B1108481000	CAM COVER SUPPORT		*		1
17	SS6060210SP	SCREW 3/32-56 L=1.9		*		2
18	B1109481000	SPRING		*		1
19	SS6060210SP	SCREW 3/32-56 L=1.9		*		2
20	B1107481000	CAM COVER GUIDE		*		1
21	SS6060340SP	SCREW 3/32-56 L=2.5		*		1
22	B1103481F00	THROAT PLATE				1
23	SS2110915SP	SCREW 11/64-40 L=8.5				2
24	D1104481CA0	BED SLIDE ASM.				1
25	D1104481C00	BED SLIDE		*		1
26	B1115380000	SPRING		*		1
27	SS6060210SP	SCREW 3/32-56 L=1.9		*		2
28	B1107380000	BED SLIDE GUIDE		*		1
29	SS6060340SP	SCREW 3/32-56 L=2.5		*		1
30	B1105380000	BED SLIDE STOPPER				1
31	SS4110515SP	SCREW 11/64-40 L=5				2
32	B1106380000	LATCH				1
33	SS4080415SP	SCREW 1/8-44 L=4				1
34	D2480484D00	TUBE FOR MAGNET CORD				1
35	D2467555B00	RUBBER PLUG				1
36	B11614810B0	SILICONE OIL LUBRICANT ASM.	SPECIAL ORDER PARTS			1
37	B1161481000A	SILICON OIL CASE	SPECIAL ORDER PARTS	*		1
38	B1187552000	RUBBER PLUG	SPECIAL ORDER PARTS	*		1
39	B1162481000	SILICON OIL FELT	SPECIAL ORDER PARTS	*		5
40	B1166481000	SILICON OIL FELT	SPECIAL ORDER PARTS	*		1
41	B1110481000A	CAM COVER LATCH	SPECIAL ORDER PARTS	*		1
42	B1168481000	SCREW	SPECIAL ORDER PARTS	*		1
43	SD0640231SP	HINGE SCREW D=6.35 H=2.3	SPECIAL ORDER PARTS	*		1
44	WZ0641510KP	WAVED WASHER 6.4X11X0.3	SPECIAL ORDER PARTS	*		1
45	SS4110515SP	SCREW 11/64-40 L=5				1
46	D9101481CA0	GLAND WIRE ASM.	FOR MH-486-4			1
47	SS7150740SP	SCREW 15/64-28 L=7	FOR MH-486-4			1

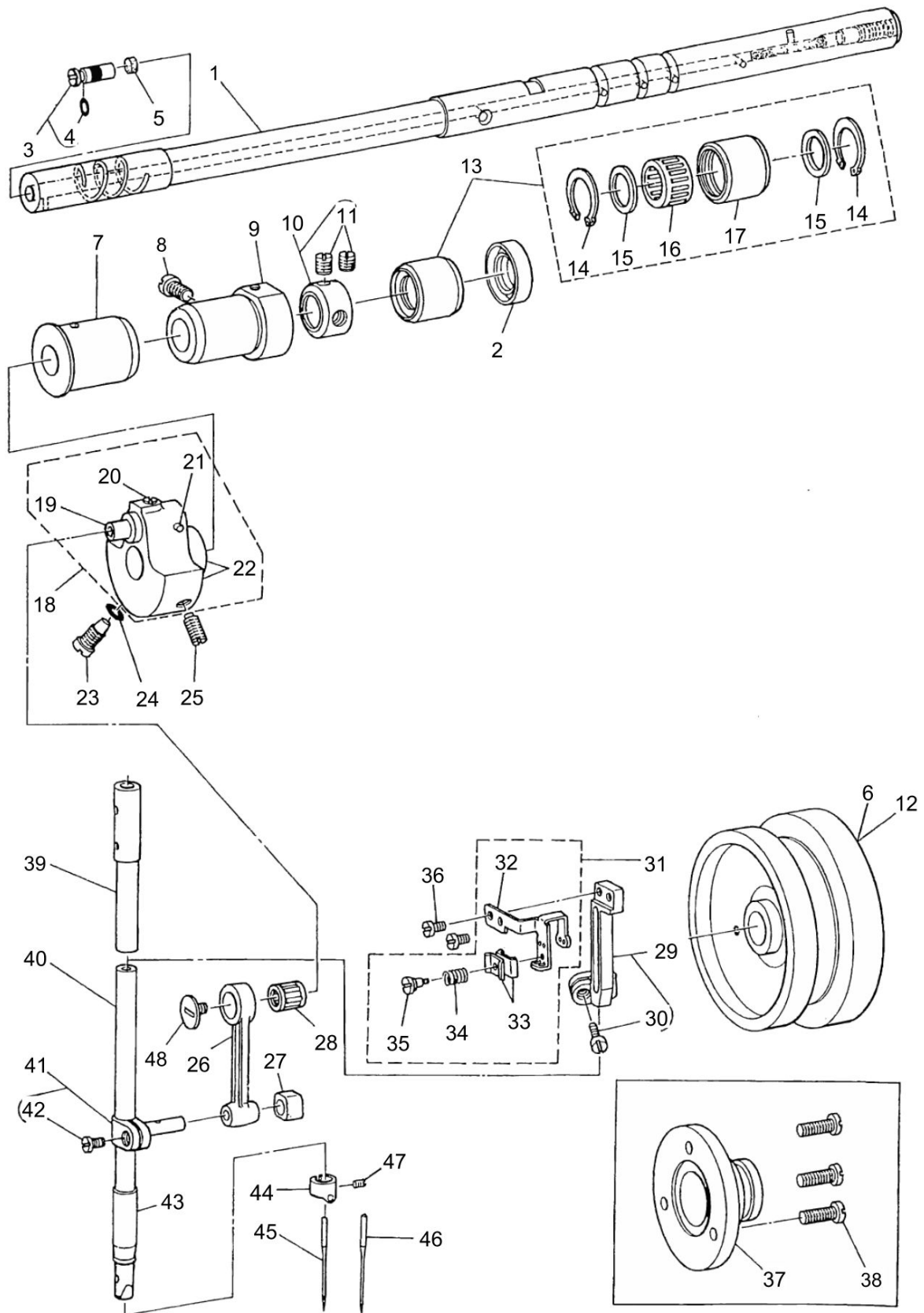
MACHINE FRAME & MISCELLANEOUS COVER COMPONENTS (2)



MACHINE FRAME & MISCELLANEOUS COVER COMPONENTS (2)

No.	Parts No.	Parts name	Remarks	Level	Cons	Qty
48	WP0621026SP	WASHER 6.2X9.5X1	FOR MH-486-4			1
49	WT0640002KN	TOOTHED WASHER	FOR MH-486-4			1
50	SS4110615SP	SCREW 11/64-40 L=6	FOR MH-486-5			1
51	WT0530002KS	TOOTHED WASHER D=5.3	FOR MH-486-5			1
52	22951552	GROUND WIRE ASM.	FOR MH-486-5			1

MAIN SHAFT & NEEDLE BAR COMPONENTS



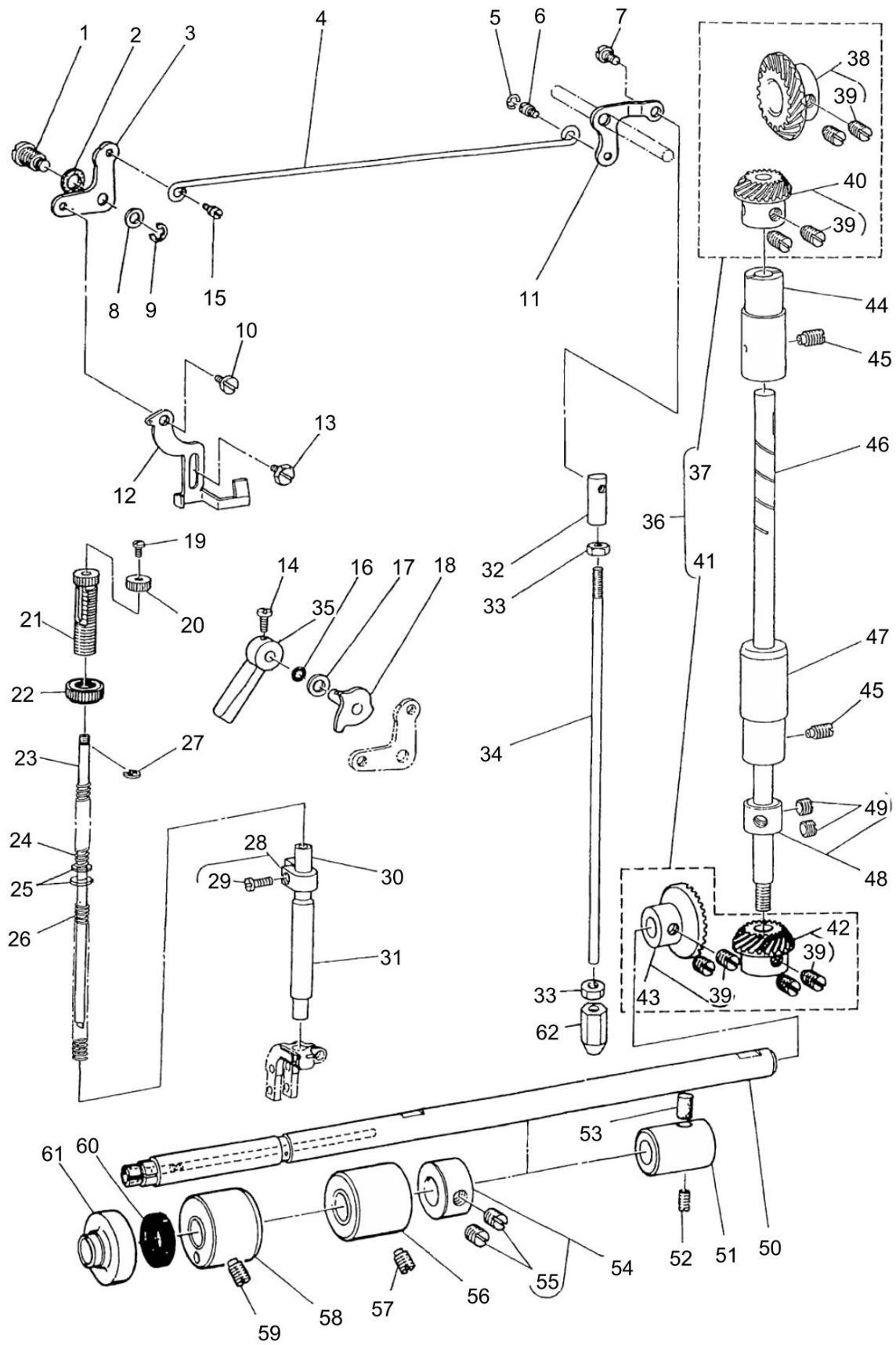
MAIN SHAFT & NEEDLE BAR COMPONENTS

No.	Parts No.	Parts name	Remarks	Level	Cons	Qty
1	B1201486000	MAIN SHAFT	FOR MH-486-5-4			1
2	D1208555D00	OIL SEAL				1
3	B12135520A0A	OIL AMOUNT ADJUSTING PIN ASM.				1
4	RO029180100	RUBBER RING		*		1
5	B1226552000	ROLLER FELT				1
6	D1217486D00	HAND WHEEL	FOR MH-486-4-3			1
7	B1203486000	MAIN SHAFT BUSHING FRONT				1
8	SS7151120SP	SCREW 15/64-28 L=11				1
9	B1203490000	MAIN SHAFT BUSHING INTERMEDIA				1
10	22904155	MAIN SHAFT THRUST COLLAR ASM.				1
11	SS8660610TP	SCREW 1/4-40 L=6		*		2
12	D1217486D0A	HAND WHEEL	FOR URBAN WHITE			1
13	D1204490DA0	MAIN SHAFT BUSHING ASM. REAR				1
14	D1232555B00	SNAP RING		*		2
15	D1231555B00	WASHER		*		2
16	B1230470B00	NEEDLE BEARING	SELECTIVE PART FOR FIT TOLERANCE	*		1
17	D1204490D00	MAIN SHAFT BUSHING REAR		*		1
18	B12024860C0	COUNTEWEIGHT ASM.				1
19	B1209481000	NEEDLE BAR CRANK		*		1
20	SS8150510TP	SCREW 15/64-28 L=4.7		*		1
21	PS0250162KH	SPRING PIN 2.5X16		*		1
22	B12024860B0	COUNTERWEIGHT ASM.		*		1
23	SS7681650TP	SCREW 9/32-28 L=16				1
24	RO044240100	RUBBER RING				1
25	SS8681650TP	SCREW 9/32-28 L=16				1
26	B1408552000	NEEDLE BAR CRANK ROD				1
27	B1414555000	SLIDE BLOCK				1
28	B1905541B00	NEEDLE BEARING				1
29	B19024810A0B	THREAD TAKE-UP LEVER ASM.				1
30	SS6091210TP	SCREW 9/64-40 L=12		*		1
31	D1901481CC0	THREAD TAKE-UP LEVER ASM.				1
32	B1901481000A	THREAD TAKE-UP		*		1
33	B1908481000A	THREAD TENSION REGULATING PLATE		*		1
34	D1910481C00	TENSION SPRING		*		1
35	B1909481000	THREAD TENSION REGULATING STUD		*		1
36	SS6090670TP	SCREW 9/64-40 L=6				2
37	D1230552B00	FLANGE				1
38	SS4111015SP	SCREW 11/64-40 L=10				3
39	22906101	NEEDLE BAR BUSHING UPPER				1
40	B1401486000	NEEDLE BAR				1
41	22906457	NEEDLE BAR HOLDER ASM.				1
42	SS6090670TP	SCREW 9/64-40 L=6		*		1
43	B1403553000	NEEDLE BAR BUSHING LOWER				1
44	B1418450000	NEEDLE BAR THREAD GUIDE				1
45	MTV700B1100	NEEDLE TVX7 #11				1
46	MC275000800	NEEDLE 149X7 #80	FOR MH-486-4-3(JE)			1

MAIN SHAFT & NEEDLE BAR COMPONENTS

No.	Parts No.	Parts name	Remarks	Level	Cons	Qty
47	SS8080410TP	SCREW 1/8-44 L=3.5				1
48	B1903552000	LEFT SCREW				1

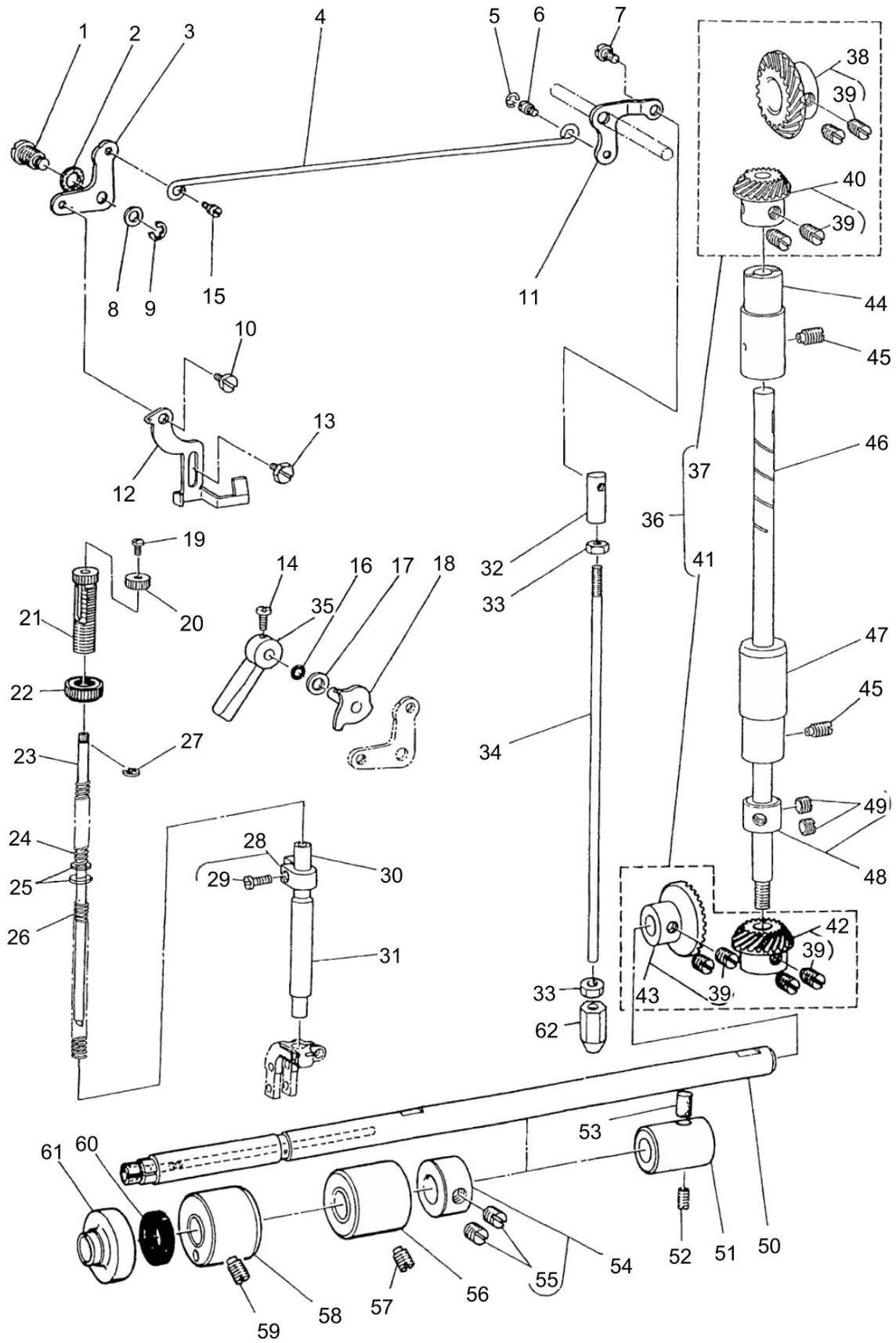
PRESSER BAR, UPRIGHT SHAFT & LOWER SHAFT COMPONENTS



PRESSER BAR, UPRIGHT SHAFT & LOWER SHAFT COMPONENTS

No.	Parts No.	Parts name	Remarks	Level	Cons	Qty
1	D1517490D00	HINGE PIN				1
2	B3431581000	LIFTING LEVER GASKET				1
3	B1516450000	LIFTING LEVER LINK LEFT				1
4	B3412415000	LIFTING LEVER CONNECTING ROD				1
5	RE0500000K0	E-RING				1
6	B3416552000	CONNECTING ROD HINGE SCREW				1
7	SD0630275SP	HINGE SCREW D=6.35 H=2.7				1
8	WP0753016SZ	WASHER 7.5X16.0X3.0				1
9	RE0600000K0	E-RING 6				1
10	SD0630301SP	HINGE SCREW D=6.35 H=3				1
11	B3414415000A	LIFTING LEVER LINK RIGHT				1
12	B1515450000	LIFTING LEVER				1
13	SD0630275SP	HINGE SCREW D=6.35 H=2.7				1
14	SS7120910SP	SCREW 3/16-28 L=9				1
15	22908909	HINGE SCREW				1
16	RO037180100	RUBBER RING				1
17	WP0740516SP	WASHER 7.4X11.8X0.5				1
18	B15184500A0A	HAND LIFTER CAM ASM.				1
19	SS5090710SP	SCREW 9/64-40 L=6.5				1
20	B3125372000	NUT				1
21	B1509490000	PRESSER SPRING REGULATOR				1
22	22907604	PRESSER SPRING REGULATOR NUT				1
23	B1501487000	GUIDE BAR				1
24	B1513490000	GUIDE BAR SPRING				1
25	WP0621026SP	WASHER 6.2X9.5X1				2
26	22907406	PRESSER SPRING				1
27	B1514490000	SNAP RING 5.6				1
28	B15074810A0	PRESSER BAR GUIDE BRACKET ASM.				1
29	SS7111110TP	SCREW 11/64-40 L=10.5		*		1
30	B1501490000	PRESSER BAR				1
31	B1510450000	BUSHING LOWER				1
32	B3416415000A	SWIVEL				1
33	NS6620310SP	NUT 3/16-32				2
34	D3415481C00	LIFTING LEVER CONNECTING ROD				1
35	D1520490D0A	HAND LIFTER	FOR URBAN WHITE			1
36	B13034870C0	GEAR ASM.				1
37	B13064700B0	GEAR & PINION ASM. UPPER		*		1
38	B13054700A0	GEAR ASM.		*		1
39	SS8660810TP	SCREW 1/4-40 L=8		*		8
40	B13064700A0	PINION ASM.		*		1
41	B13034870B0	GEAR & PINION ASM. LOWER		*		1
42	B13064700A0	PINION ASM.		*		1
43	B13034870A0	GEAR LARGE ASM.		*		1
44	B1302552B00	BUSHING UPPER				1
45	SS8151150SP	SCREW 15/64-28 L=10.5				2
46	B1301487000	UPRIGHT SHAFT				1
47	B1302487000	BUSHING LOWER				1

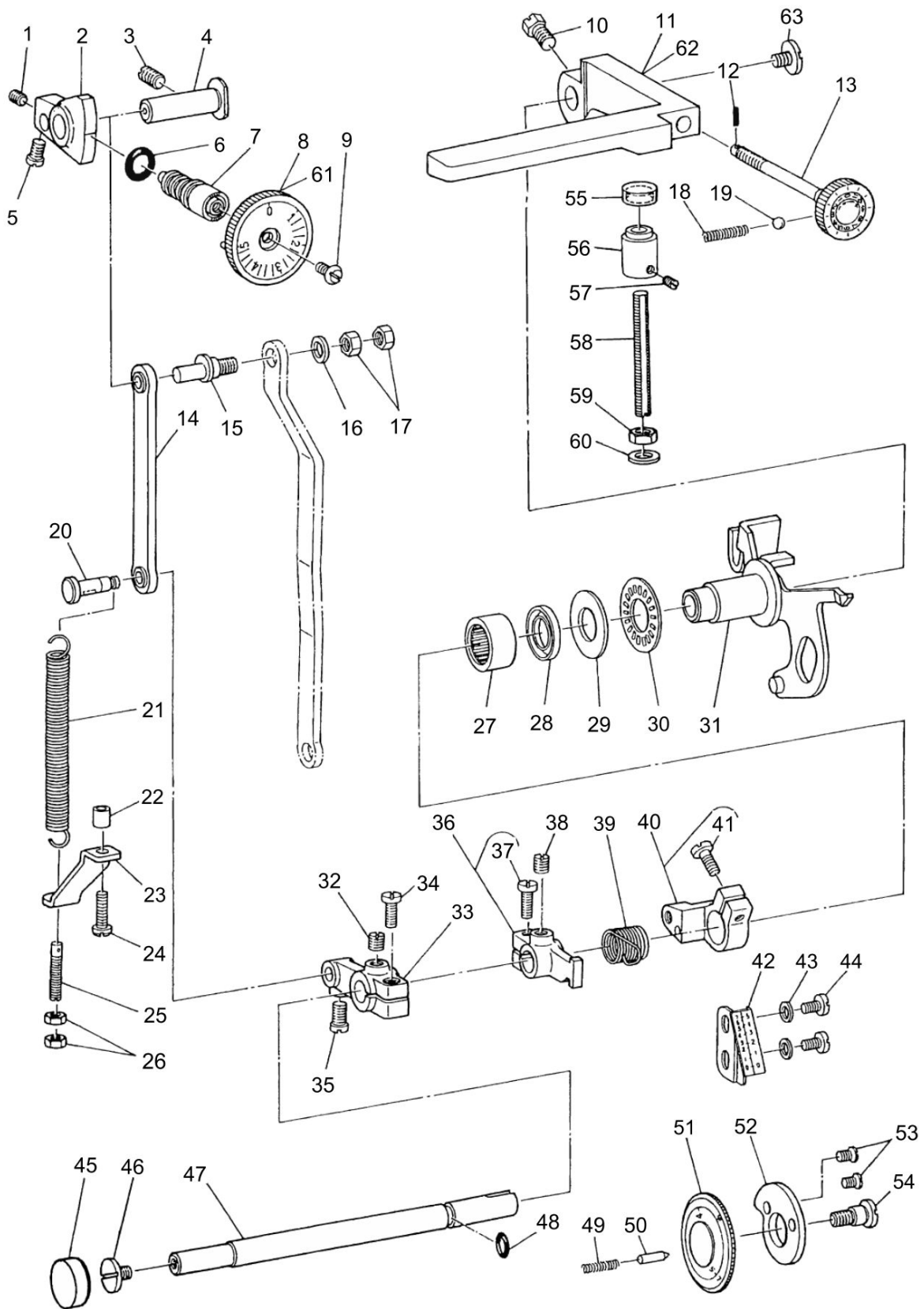
PRESSER BAR, UPRIGHT SHAFT & LOWER SHAFT COMPONENTS



PRESSER BAR, UPRIGHT SHAFT & LOWER SHAFT COMPONENTS

No.	Parts No.	Parts name	Remarks	Level	Cons	Qty
48	CS0791016SH	THRUST HOLDER D=7.94 W=10				1
49	SS8110410TP	SCREW 11/64-40 L=3.5		*		2
50	B1801481000A	LOWER SHAFT				1
51	B1607352000	BUSHING REAR				1
52	SS8151150SP	SCREW 15/64-28 L=10.5				1
53	22814909	FELT				1
54	CS111121ASH	THRUST COLLAR ASM. D=11.11 W=12				1
55	SS8660810TP	SCREW 1/4-40 L=8		*		2
56	B1803481000	BUSHING INTERMEDIATE				1
57	SS8151150SP	SCREW 15/64-28 L=10.5				1
58	B1802481000	BUSHING FRONT				1
59	SS8151150SP	SCREW 15/64-28 L=10.5				1
60	B1813481000	OIL SEAL				1
61	B2226481000	LOOPER THREAD GUARD BUSHING				1
62	D3440481C00	REGULATOR NUT				1

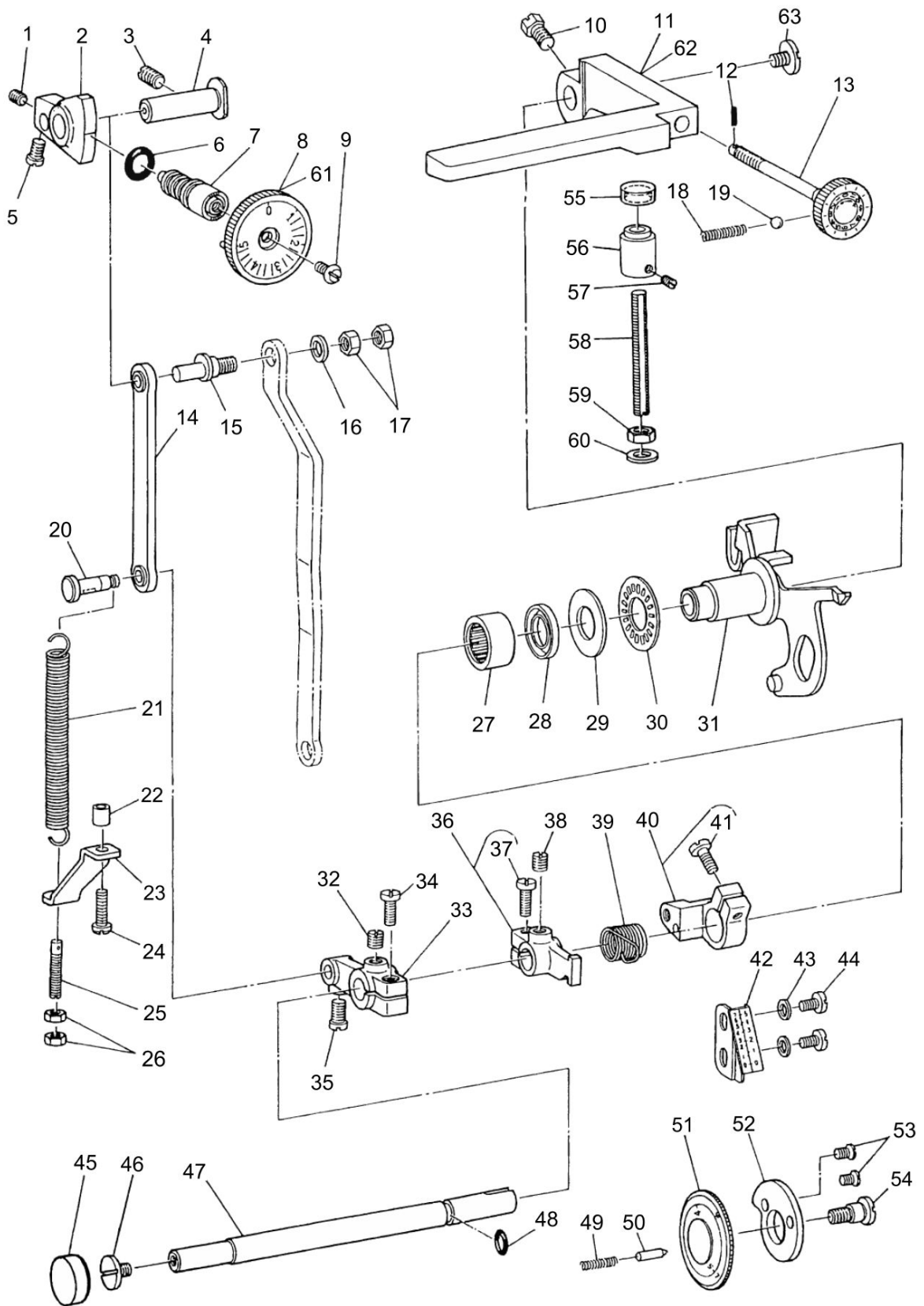
FEED MECHANISM COMPONENTS (1)



FEED MECHANISM COMPONENTS (1)

No.	Parts No.	Parts name	Remarks	Level	Cons	Qty
1	SS8110410TP	SCREW 11/64-40 L=3.5				1
2	B1620470000	FEED REGULATOR				1
3	SS8150710SP	SCREW 15/64-28 L=7				1
4	B1622555000	HINGE PIN				1
5	SS7110710SP	SCREW 11/64-40 L=7				1
6	RO074240100	RUBBER RING				1
7	B1634470000	STITCH LENGTH REGULATING SCREW				1
8	B16234900A0	STITCH DIAL ASM.				1
9	SS6120930SP	SCREW 3/16-28 L=9				1
10	SS9660910SP	SCREW 1/4-40 L=9.4				1
11	B1624490000	REVERSE FEED CONTROL LEVER				1
12	PS0150065KP	SPRING PIN 1.5X6				1
13	B29264900A0	ADJUSTING SHAFT ASM.				1
14	B16254700A0	FEED REGULATOR CONNECTING ROD				1
15	B1626470000	FEED REGULATOR CONNECTING ROD				1
16	WP0651056SH	WASHER 6.5X11X1				1
17	NS6660430SP	NUT 1/4-40				2
18	B2920490000	SPRING				1
19	B3037470000	BALL				1
20	B1628555000	TENSION SPRING SUSPENSION STUD				1
21	B1646161000	TENSION SPRING				1
22	D2114555B00	BRACKET INSTALLING COLLAR				1
23	B1632470000	TENSION SPRING SUSPENSION BRACKET				1
24	SS7111410SP	SCREW 11/64-40 L=14				1
25	B1649161000	TENSION SPRING ADJUSTING SCREW				1
26	NS6110420SP	NUT 11/64-40				2
27	B1644490000	NEEDLE BEARING				1
28	B1641490000	OIL SEAL				1
29	B1242980000	THRUST WASHER SMALL				1
30	B1211980000	UPPER SHAFT THRUST BEARING				1
31	B29224900A0	ADJUSTING PLATE ASM.				1
32	SS8150710SP	SCREW 15/64-28 L=7				1
33	40120458	CONTROL LEVER SHAFT CRANK				1
34	SS6121210SP	SCREW 3/16-28 L=12				1
35	SS7110910SP	SCREW 11/64-40 L=8.5				1
36	B16404700A0	SPRING SUSPENSION BRACKET ASM.				1
37	SS6121210SP	SCREW 3/16-28 L=12		*		1
38	SS8150710SP	SCREW 15/64-28 L=7				1
39	B1639470000	SPRING				1
40	B29194900A0	CONNECTING ARM ASM.				1
41	SS6121220TP	SCREW 3/16-28 L=11.5		*		1
42	B2944490000	INDICATING PLATE				1
43	WP0480856SP	WASHER 4.8X8.4X0.8				2
44	SS4110815SP	SCREW 11/64-40 L=8				2
45	TA1750502R0	RUBBER PLUG D=17.5 L=5				1
46	SS7620750SP	SCREW 3/16-32 L=6.5				1
47	B1621490000A	REVERSE FEED CONTROL LEVER				1

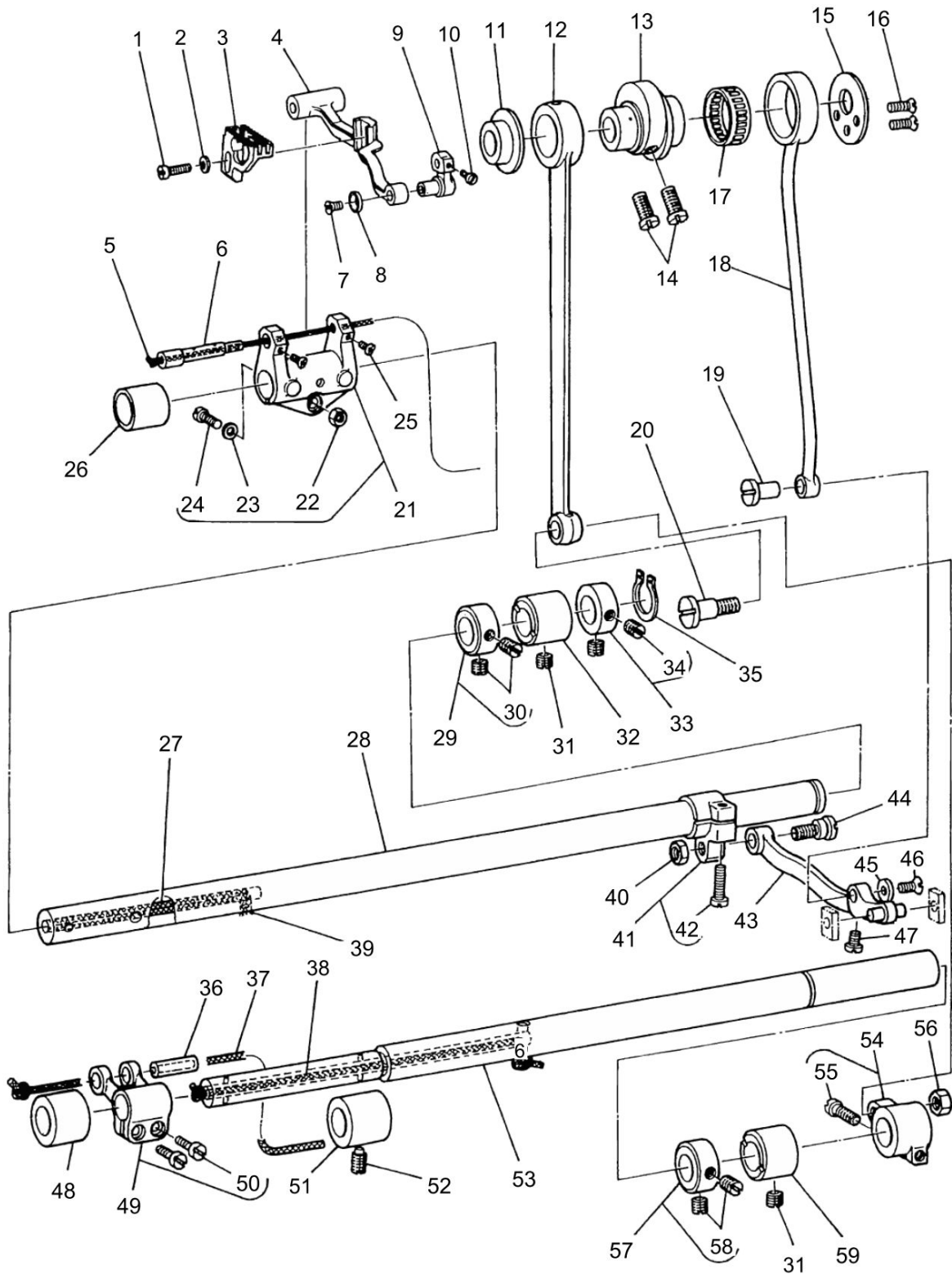
FEED MECHANISM COMPONENTS (1)



FEED MECHANISM COMPONENTS (1)

No.	Parts No.	Parts name	Remarks	Level	Cons	Qty
48	RO069180100	RUBBER RING				1
49	22912109	FEED REGULATOR PIN SPRING				1
50	22912000	FEED REGULATOR PIN				1
51	B29404900B0	INDICATING DIAL ASM.				1
52	B2941490000	CAM				1
53	SS1110710SP	SCREW 11/64-40 L=7				2
54	SD0790601SP	HINGE SCREW D=7.94 H=6				1
55	B1662481000	LEVER STOPPER RUBBER CAP				1
56	B1660481000	STOPPER				1
57	SS8090540SP	SCREW 9/64-40 L=5				1
58	B1661481000	SCREW				1
59	NS6150430SP	NUT 15/64-28				1
60	WP0621016SD	WASHER 6.2X13X1				1
61	B16234900AA	FEED REGULATOR DIAL ASM.	FOR URBAN WHITE			1
62	B162449000A	REVERSE FEED CONTROL ASM.	FOR URBAN WHITE			1
63	SS7620750SP	SCREW 3/16-32 L= 6.5				1

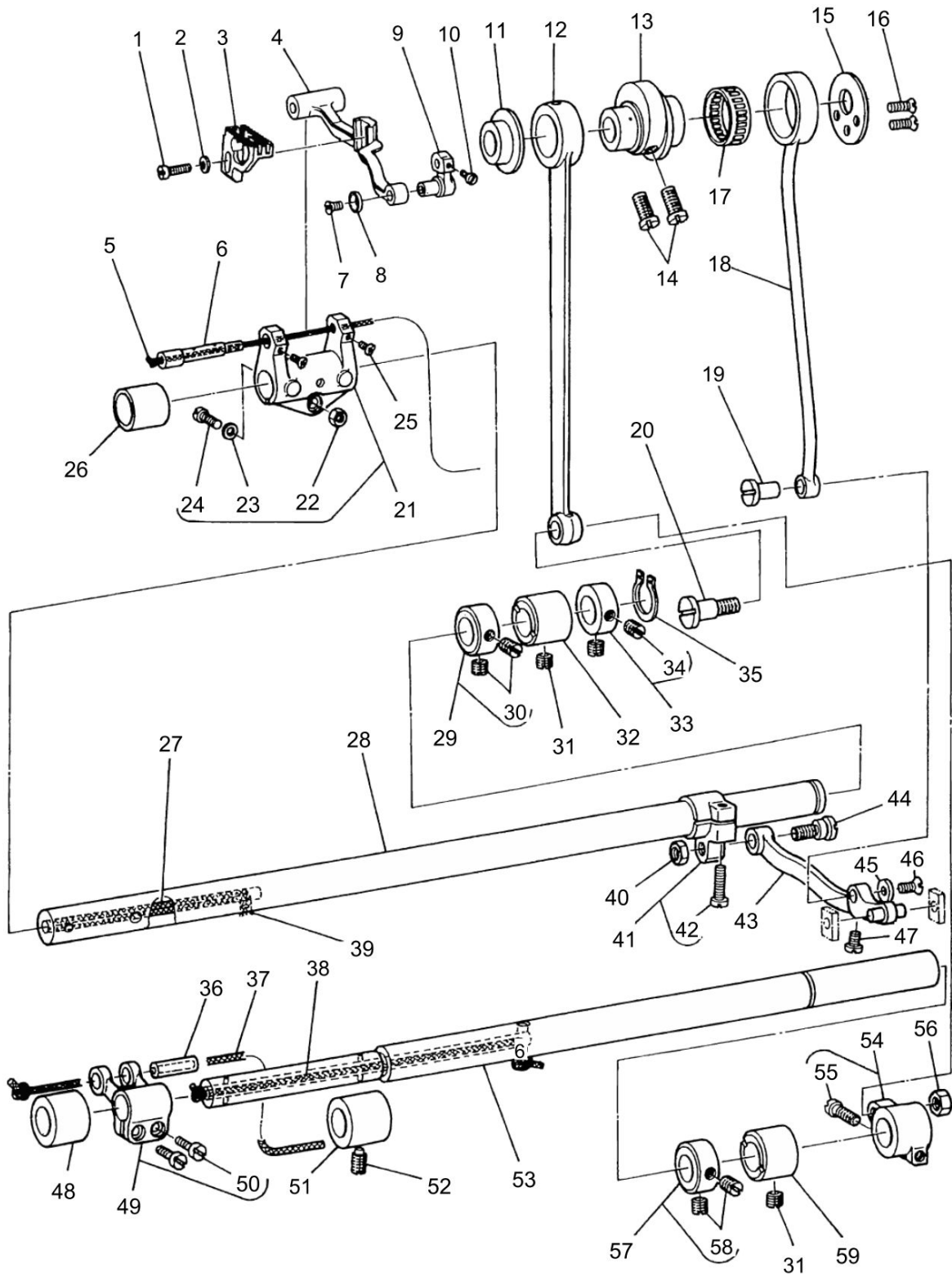
FEED MECHANISM COMPONENTS (2)



FEED MECHANISM COMPONENTS (2)

No.	Parts No.	Parts name	Remarks	Level	Cons	Qty
1	SS7111410TP	SCREW 11/64-40 L=14				1
2	WP0480856SP	WASHER 4.8X8.4X0.8				1
3	B1613481F00	FEED DOG				1
4	B1602481000A	FEED BAR				1
5	CQ303000000	OIL WICK				0.2
6	B1604486000	FEED BAR SHAFT				1
7	SS1080510SP	SCREW 1/8-44 L=5				1
8	B1715481000	COUNTER-SUNK WASHER				1
9	B17134810A0	FEED BAR LINK ASM.				1
10	SS8110410TP	SCREW 11/64-40 L=3.5				1
11	B1711486000	FEED DRIVING ROD THRUST COLLAR				1
12	B1708470000A	CONNECTING ROD				1
13	B1610486000	FEED DRIVE ECCENTRIC CAM				1
14	SS6661110SP	SCREW 1/4-40 L=11				2
15	B1611470000	THRUST COLLAR				2
16	SS1090920SP	SCREW 9/64-40 L=9				2
17	B412352200A	NEEDLE BEARING				1
18	B1612470000	FEEDROCKERSHAFTCONNECTINGROD				1
19	B1616486000	PIN				1
20	SD1020701SP	HINGE SCREW D=10.2 H=7				2
21	B16034860A0	FEED ROCKER ASM.				1
22	NS6120310SP	NUT 3/16-28		*		1
23	WP0480856SP	WASHER 4.8X8.4X0.8		*		1
24	SS6121840SP	SCREW 3/16-28 L=18		*		1
25	SS6090810SP	SCREW 9/64-40 L=7.5				2
26	40133994	FEED ROCKER SHAFT BUSHING				1
27	CQ303000000	OIL WICK				0.3
28	B1601555000	FEED ROCKER SHAFT				1
29	22904155	MAIN SHAFT THRUST COLLAR ASM.				1
30	SS8660610TP	SCREW 1/4-40 L=6		*		2
31	SS8150710TP	SCREW 15/64-28 L=7				2
32	B1702155000	BUSHING REAR				1
33	CS1470710SH	THRUST COLLAR ASM. D=14.72 W=7				1
34	SS8660610TP	SCREW 1/4-40 L=6		*		2
35	RC0150001KP	RETAINING RING 13.8				1
36	B1610430000	DIFFERENTIAL FEED ROCKER SHAFT				1
37	CQ303000000	OIL WICK				0.3
38	CQ303000000	OIL WICK				0.3
39	CQ303000000	OIL WICK				0.1
40	NS6680410SP	NUT 9/32-28				1
41	B1608481000	FEED ROCKER SHAFT CRANK ASM.				1
42	SS6121610TP	SCREW 3/16-28 L=15.5		*		1
43	B16014870A0	FEED ROCK CONNECTING ROD ASM.				1
44	SD1020701SP	HINGE SCREW D=10.2 H=7				1
45	B1620487000	FEED CONNECTING PIN WASHER				1
46	SS1110640TP	SCREW 11/64-40 L=5.5				1
47	SS7111110TP	SCREW 11/64-40 L=10.5				1

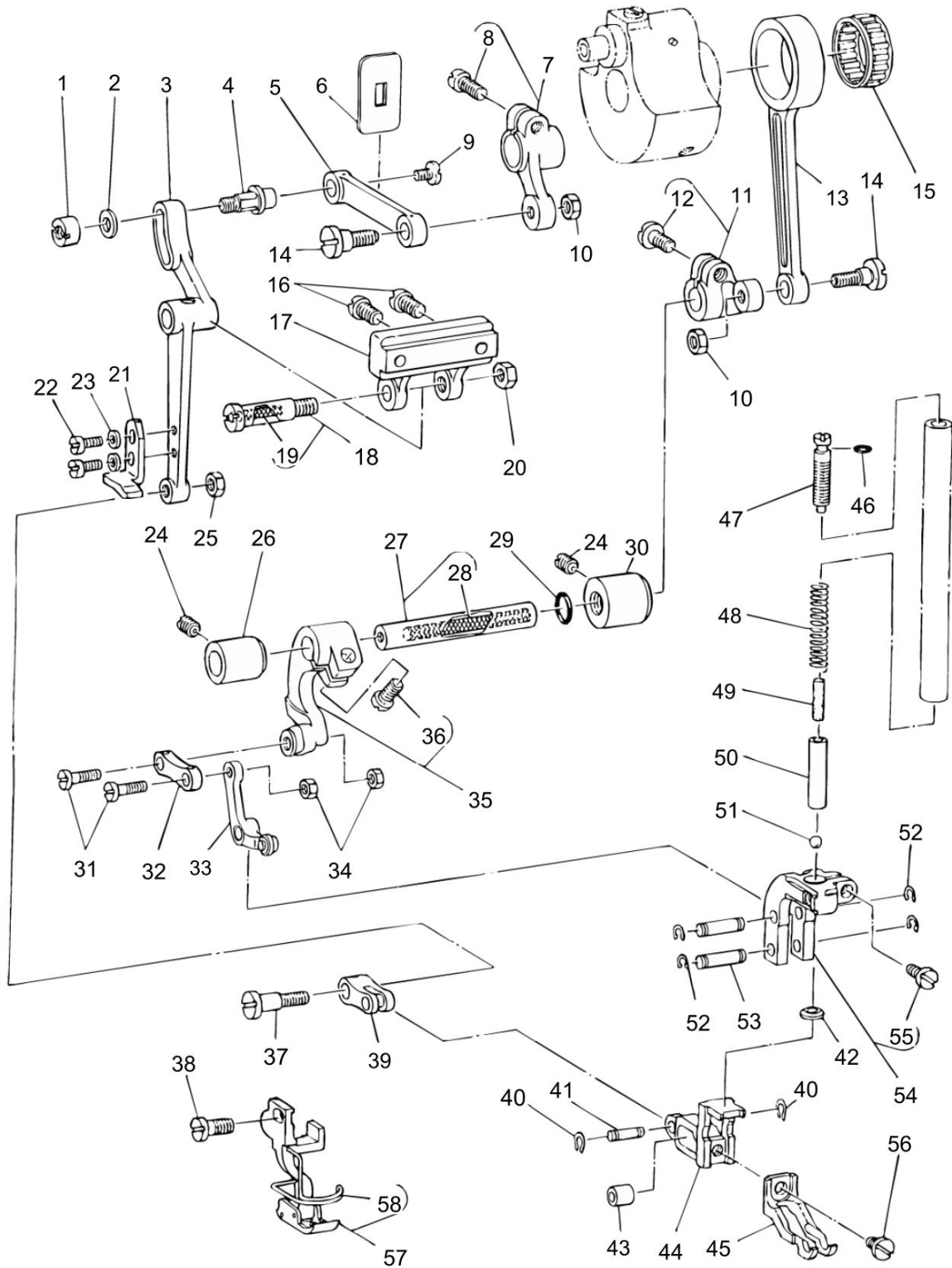
FEED MECHANISM COMPONENTS (2)



FEED MECHANISM COMPONENTS (2)

No.	Parts No.	Parts name	Remarks	Level	Cons	Qty
48	40133993	FEED ROCKER SHAFT BUSHING				1
49	B41033520A0	FEED ROCKER SHAFT CRANK ASM.				1
50	SS6621220SP	SCREW 3/16-32 L=12		*		2
51	40133993	FEED ROCKER SHAFT BUSHING				1
52	SS8151150SP	SCREW 15/64-28 L=10.5				1
53	B1701481000	FEED DRIVING SHAFT				1
54	B17031550A0	FEED DRIVING SHAFT CRANK ASM.				1
55	SS6121610TP	SCREW 3/16-28 L=15.5		*		1
56	NS6680410SP	NUT 9/32-28				1
57	22904155	MAIN SHAFT THRUST COLLAR ASM.				1
58	SS8660610TP	SCREW 1/4-40 L=6		*		2
59	B1702155000	BUSHING REAR				1

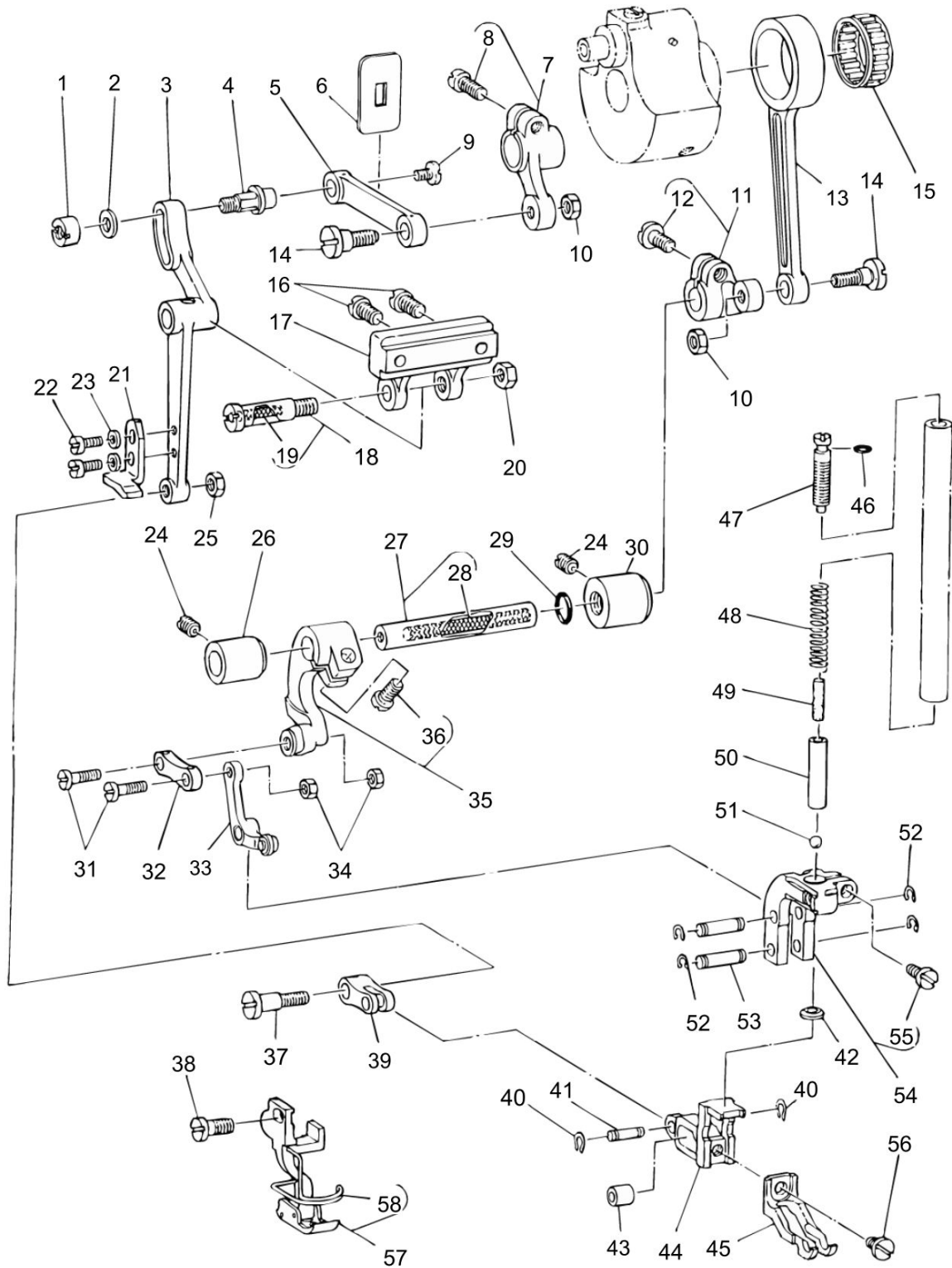
TOP FEED MECHANISM COMPONENTS (1)



TOP FEED MECHANISM COMPONENTS (1)

No.	Parts No.	Parts name	Remarks	Level	Cons	Qty
1	B3030490000	NUT				1
2	WP0501016SD	WASHER 5X10.5X1				1
3	B3009486000	WALKING FOOT DRIVING LINK				1
4	B3012490000	DRIVING LINK SHAFT				1
5	B2906412000	CONNECTING LINK				1
6	B2907470000	RUBBER PLATE				1
7	B30054500A0	WALKING FOOT DRIVING CRANK ASM.				1
8	SS6121220TP	SCREW 3/16-28 L=11.5		*		1
9	SS7110570SP	SCREW 11/64-40 L=4.8				1
10	NS6120310SP	NUT 3/16-28				2
11	B30174500A0	DRIVING ROD ARM ASM.				1
12	SS6121220TP	SCREW 3/16-28 L=11.5		*		1
13	B3013490000	WALKING FOOT DRIVING ROD				1
14	SD0720551SP	HINGE SCREW D=7.24 H=5.5				2
15	B1609804B00	NEEDLE BEARING	SELECTIVE PART FOR FIT TOLERANCE			1
16	SS7111410SP	SCREW 11/64-40 L=14				2
17	B3010450000A	WALKING FOOT DRIVING LINK BASE				1
18	B30114500A0A	CONNECTING SHAFT ASM.				1
19	CQ202000000	OIL WICK		*		0.1
20	NS6150310SP	NUT 15/64-28				1
21	B3035486000	STOPPER				1
22	SS7090910SP	SCREW 9/64-40 L=8.5				2
23	WP0371026SD	WASHER 3.7X7X1				2
24	SS8150710SP	SCREW 15/64-28 L=7				2
25	NS6110310SP	NUT 11/64-40				1
26	B3019450000A	BUSHING FRONT				1
27	B30184500A0	DRIVING SHAFT ASM.				1
28	CQ252000000	OIL WICK		*		0.2
29	RO080150200	RUBBER RING				1
30	B3020450000	BUSHING REAR				1
31	SD0500402SP	HINGE SCREW D=5 H=4				2
32	B3022486000	WALKING FOOT LINK				1
33	B30244900A0	PRESSER ARM ASM.				1
34	NS6110310SP	NUT 11/64-40				2
35	B30214900A0	WALKING FOOT DRIVING ARM ASM.				1
36	SS6121220TP	SCREW 3/16-28 L=11.5		*		1
37	SD0641004SP	HINGE SCREW D=6.35 H=9.6				1
38	SS6121220TP	SCREW 3/16-28 L=11.5				1
39	B3029486000	LINK				1
40	RC0410415KP	C-RING				2
41	B3034490000	LINK PIN				1
42	B3036486000	WASHER PLATE				1
43	B3028450000	ROLLER				1
44	B3025490000	WALKING FOOT MOUNT				1
45	B3026487000	WALKING FOOT	EXCHANGING GAUGE PARTS			1
46	RO029180100	RUBBER RING				1

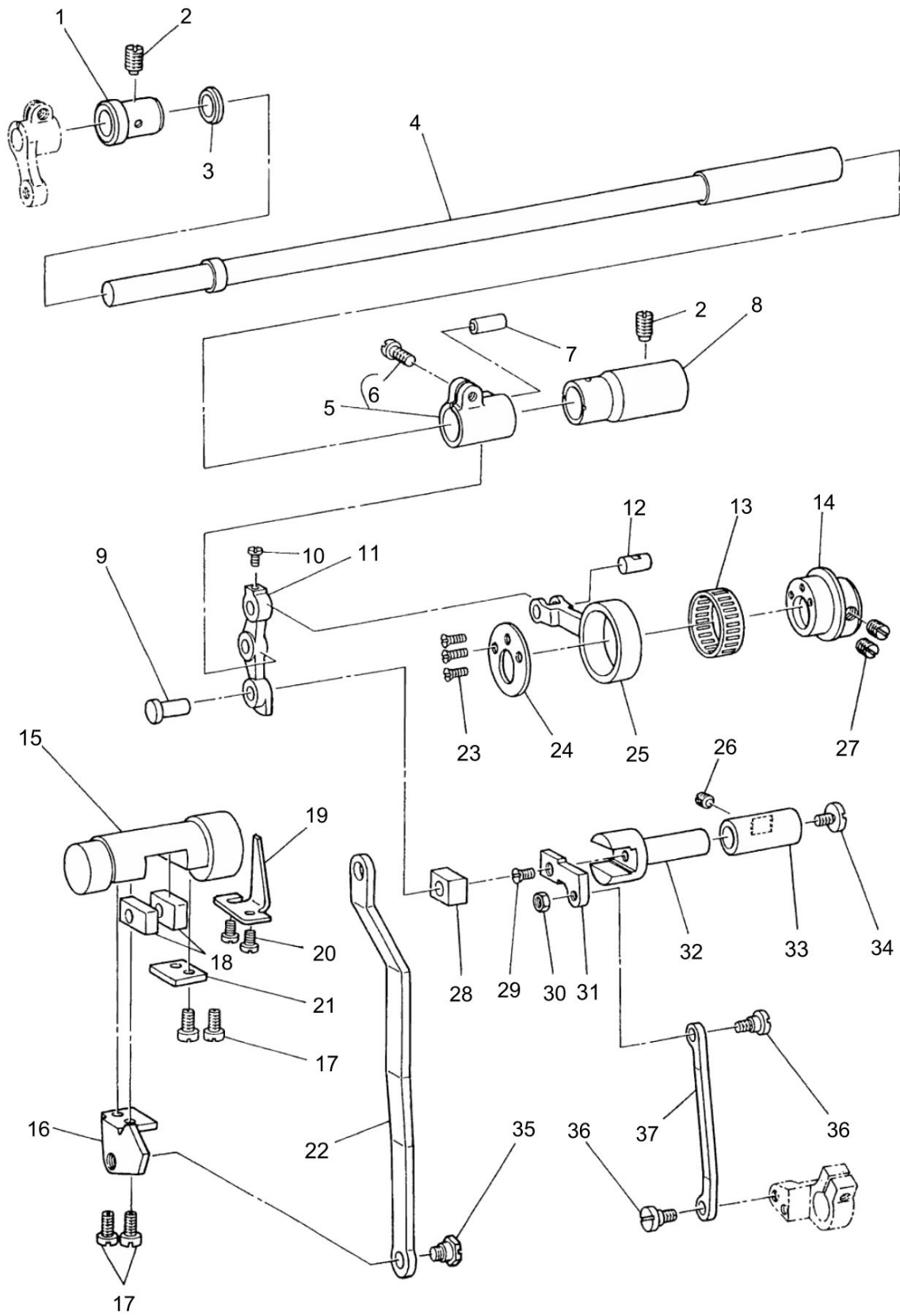
TOP FEED MECHANISM COMPONENTS (1)



TOP FEED MECHANISM COMPONENTS (1)

No.	Parts No.	Parts name	Remarks	Level	Cons	Qty
47	B1512470000	ADJUSTING SCREW				1
48	B3032450000	SPRING				1
49	CQ4000000F0	OIL FELT				0.1
50	B3031490000	SPRING SUPPORTER				1
51	B3037470000	BALL				1
52	RC0410415KP	C-RING				4
53	B3027490000	PIN				2
54	B30234900A0	WALKING FOOT ARM BRACKET ASM.				1
55	SS7121410TP	SCREW 3/16-28 L=14		*		1
56	SS6110610TP	SCREW 11/64-40 L=6				1
57	B15244860B0	PRESSER FOOT ASM.(FOR GUARD)	EXCHANGING GAUGE PARTS			1
58	B1421486000	FINGER GUARD		*		1

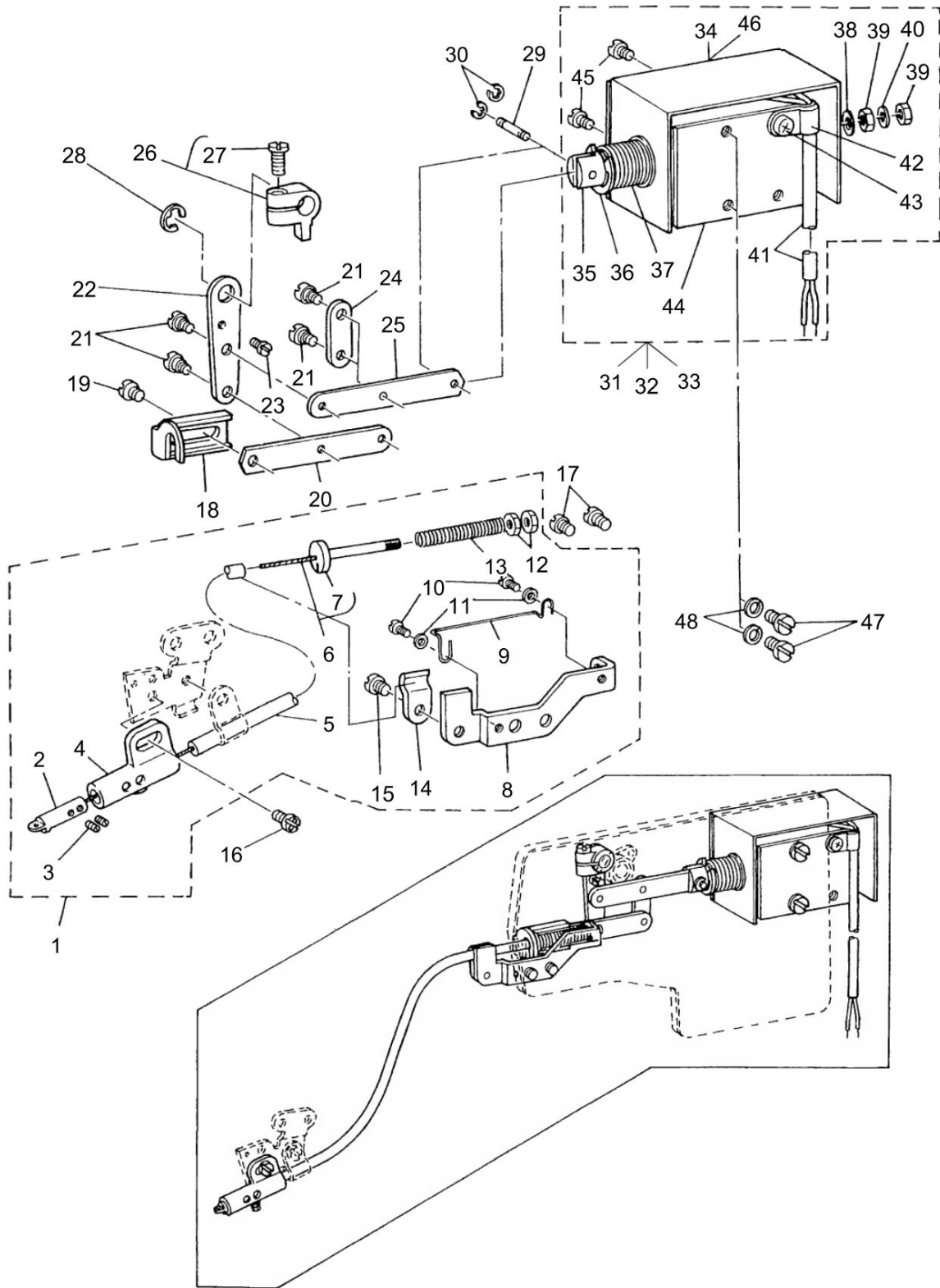
TOP FEED MECHANISM COMPONENTS (2)



TOP FEED MECHANISM COMPONENTS (2)

No.	Parts No.	Parts name	Remarks	Level	Cons	Qty
1	B3003450000A	ROCK SHAFT BUSHING FRONT				1
2	SS8151150SP	SCREW 15/64-28 L=10.5				2
3	B2924470000	THRUST COLLAR				1
4	B2910490000	WALKING FOOT ROCK SHAFT				1
5	B29124900A0	WALKING FOOT DRIVING CRANK ARM ASM.				1
6	SS7111410TP	SCREW 11/64-40 L=14		*		1
7	B2915490B00	PIN	SELECTIVE PARTS FOR FIT TOLERANCE			1
8	B2909490000	ROCK SHAFT BUSHING REAR				1
9	B2918470000	HINGE PIN				1
10	SS7090620TP	SCREW 9/64-40 L=6.1				1
11	B2913470000	LINK ARM				1
12	B2914470000	PIN				1
13	B412352200A	NEEDLE BEARING	SELECTIVE PARTS FOR FIT TOLERANCE			1
14	B2903470000	CAM				1
15	B1631470000	FEED DRIVING ROCKER				1
16	B1651490000	ADJUSTING ARM				1
17	SS6111010SP	SCREW 11/64-40 L=9.5				4
18	B1652470000	FEED DRIVING ROCKER BLOCK				2
19	B1623487000	STOPPER PLATE				1
20	SS7110740TP	SCREW 11/64-40 L=7				2
21	B1654470000	PLATE				1
22	B1630470000	FEED REGULATOR CONNECTING ROD				1
23	SS1090920SP	SCREW 9/64-40 L=9				3
24	B1611470000	THRUST COLLAR				1
25	B2905470000	WALKING FOOT DRIVING ROD				1
26	SS8150510TP	SCREW 15/64-28 L=4.7				1
27	SS8660610TP	SCREW 1/4-40 L=6				2
28	B2902490B00	SLIDE BLOCK	SELECTIVE PARTS FOR FIT TOLERANCE			1
29	SS1110710SP	SCREW 11/64-40 L=7				1
30	NS6120310SP	NUT 3/16-28				1
31	B2916470000	WALKING FOOT ADJUSTING ARM				1
32	B2901470000	WALKING FOOT ADJUSTING BASE				1
33	B2935470000	BUSHING				1
34	SS6110630TP	SCREW 11/64-40 L=6				1
35	SD0800422CP	HINGE SCREW D=8 H=4.2				1
36	SD0640391TP	HINGE SCREW D=6.35 H=3.9				2
37	B2917470000	WALKING FOOT ADJUSTING LINK				1

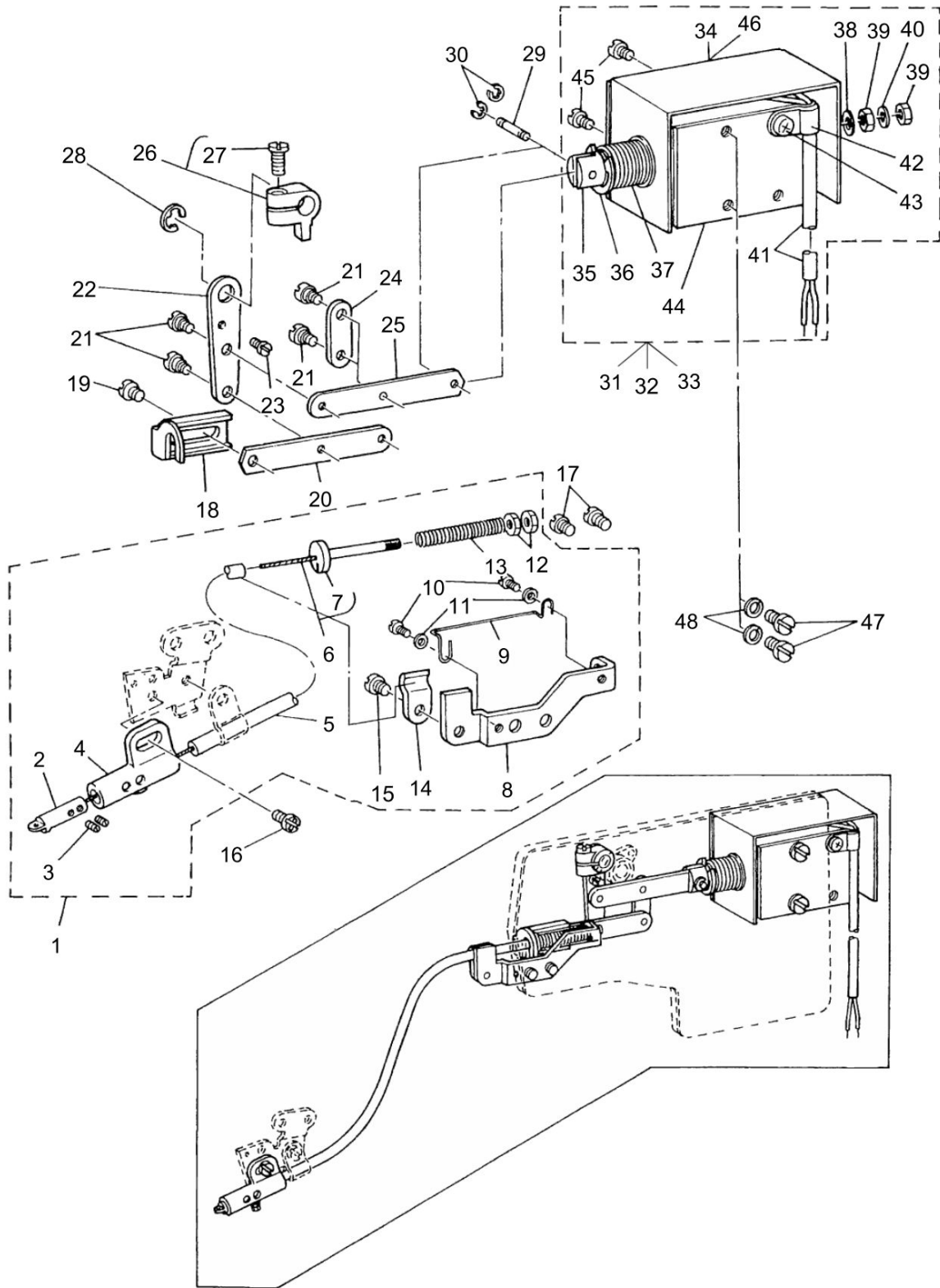
THREAD DRAW OUT SOLENOID COMPONENTS



THREAD DRAW OUT SOLENOID COMPONENTS

No.	Parts No.	Parts name	Remarks	Level	Cons	Qty
1	D3911481CA0	THREAD DRAW OUT WIRE ASM.				1
2	D3918481D00	THREAD GUIDE PIN		*		1
3	SS8080310TP	SCREW 1/8-44 L=2.8		*		2
4	D3917481D00	GUIDE PIN HOLDER		*		1
5	D3913481D00	WIRE TUBE		*		1
6	D3912481CA0	THREAD DRAW OUT WIRE ASM.		*		1
7	D3914481C00	WIRE HOLDER		*		1
8	D3911481C00	WIRE MOUNTING PLATE		*		1
9	D3919481D00	WIRE GUIDE		*		2
10	SS4080415SP	SCREW 1/8-44 L=4		*		2
11	WP0371026SD	WASHER 3.7X7X1		*		2
12	NS6090310SP	NUT 9/64-40		*		2
13	D3915481C00	SPRING		*		1
14	D3916481C00	TUBE HOLDER		*		1
15	SS4110515SP	SCREW 11/64-40 L=5		*		1
16	SS4110515SP	SCREW 11/64-40 L=5				1
17	SS4110515SP	SCREW 11/64-40 L=5				2
18	D3910481C00	WIRE DRAWING LINK				1
19	SS4110515SP	SCREW 11/64-40 L=5				1
20	D3908481C00	LINK B				1
21	SD0450211SP	HINGE SCREW D=4.50 H=2.1				4
22	D3906481C00	THREAD DRAW OUT LEVER				1
23	SS7090410SP	SCREW 9/64-40 L=3.5				1
24	D3909481C00	LINK CONNECTING PLATE				1
25	D3905481C00	LINK A				1
26	D3907481CA0	THREAD DRAW OUT ARM ASM.				1
27	SS7111110TP	SCREW 11/64-40 L=10.5		*		1
28	RE0600000K0	E-RING 6				1
29	D3904481E00	PLUNGER PIN				1
30	RE0200000K0	E-RING				2
31	D3901486EAB	THREAD DRAW OUT SOLENOID ASM.	FOR MH-486-5-4			1
32	D3901486DAB	THREAD DRAW OUT SOLENOID ASM.	FOR MH-486-4-3			1
33	D3901486DAC	THREAD DRAW OUT SOLENOID ASM.				1
34	D3903481C0A	SOLENOID COVER	FOR URBAN WHITE	*		1
35	D2118555B00A	PLUNGER		*		1
36	RE0901110K0	SNAP RING 9		*		1
37	D3902481C00A	SPRING		*		1
38	MAT80115T00	WASHER		*		1
39	NM6040003SC	NUT M4		*		2
40	WS0411002KS	SPRING WASHER 4.1X7.6X1.0		*		1
41	HW200110000	WIRE BLACK		*		1.1
42	HX00150000B	CABLE CLIP		*		1
43	SM4040601SB	SCREW M4 L=6		*		1
44	D3901486E0B	THREAD DRAW OUT SOLENOID	FOR MH-486-5-4	*		1
45	SM4040601SB	SCREW M4 L=6		*		2
46	D3903481C00	SOLENOID COVER		*		1
47	SM4040601SB	SCREW M4 L=6				2

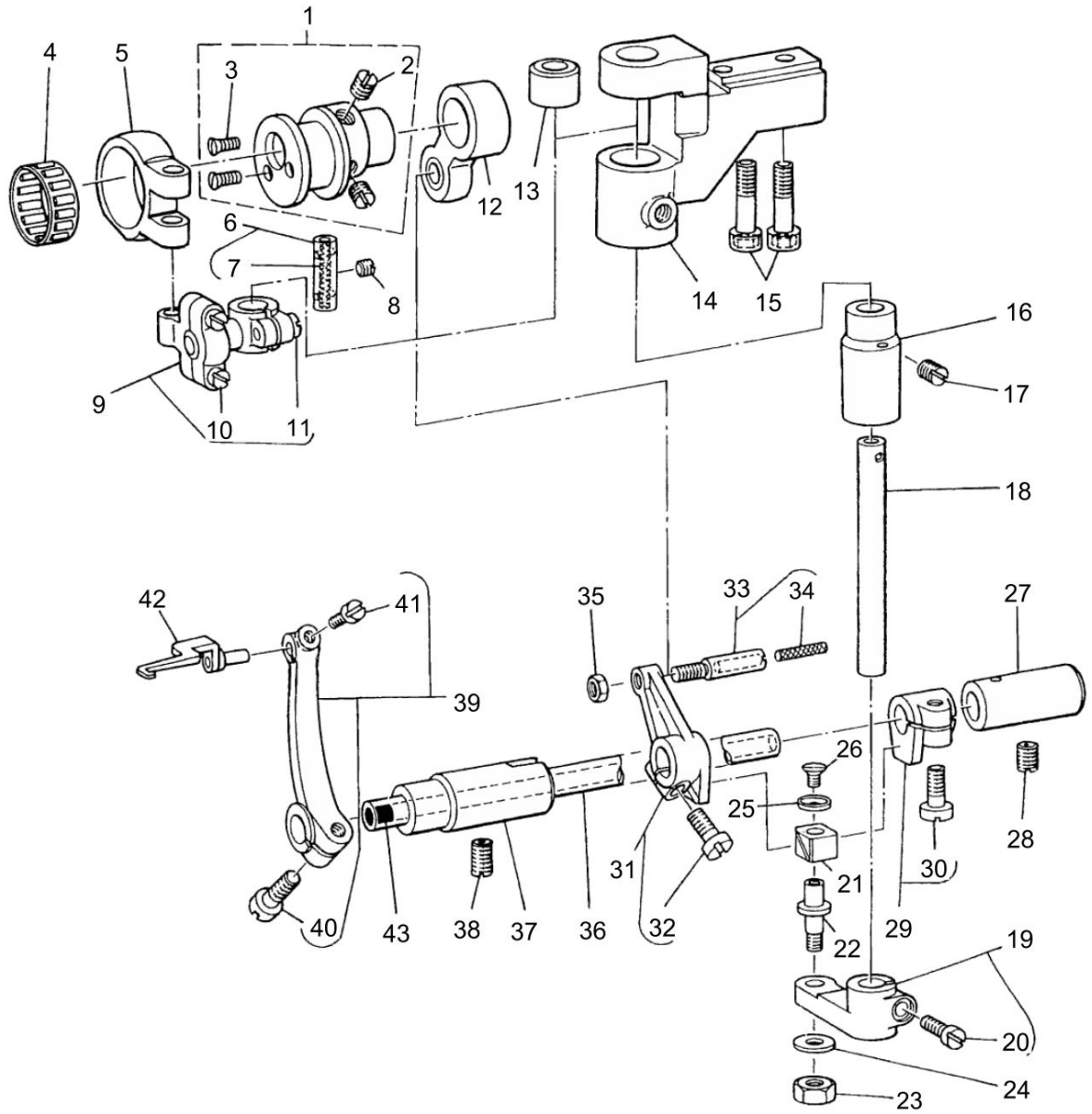
THREAD DRAW OUT SOLENOID COMPONENTS



THREAD DRAW OUT SOLENOID COMPONENTS

No.	Parts No.	Parts name	Remarks	Level	Cons	Qty
48	WS0441040KP	SPRING WASHER 4.4X7.4X1				2

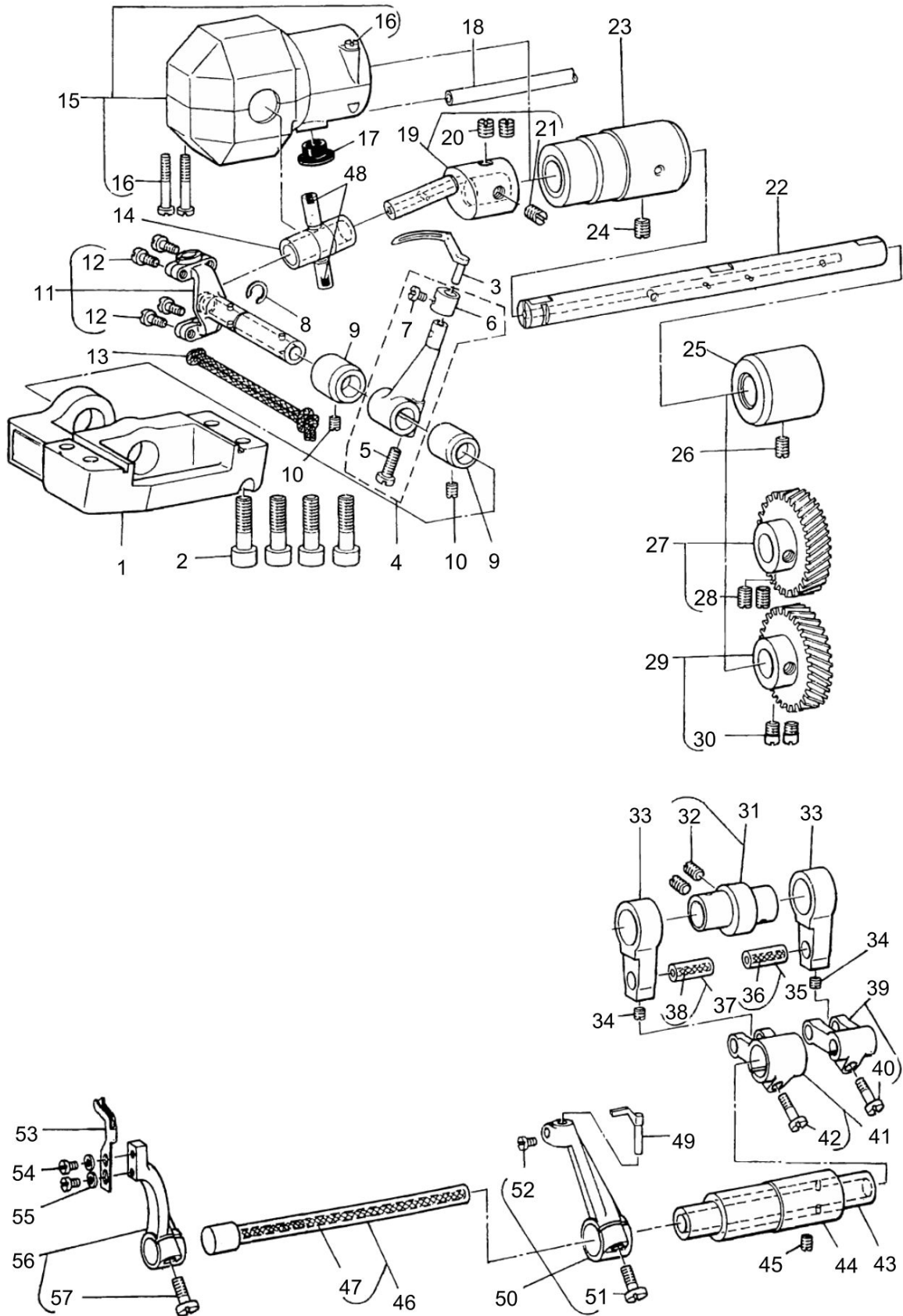
THREAD SPREADER COMPONENTS



THREAD SPREADER COMPONENTS

No.	Parts No.	Parts name	Remarks	Level	Cons	Qty
1	B21014860A0	THREAD SPREADER CAM ASM.				1
2	SS8150710TP	SCREW 15/64-28 L=7		*		2
3	SS2080810SP	SCREW 1/8-44 L=7.5		*		2
4	B210348100B	BEARING	SELECTIVE PART FOR FIT TOLERANCE			1
5	B2105481000	LEFT & RIGHT DRIVING ROD A				1
6	B1403352BA0	CRANK PIN ASM.(B)	SELECTIVE PART FOR FIT TOLERANCE			1
7	CQ202000000	OIL WICK		*		0.1
8	SS8110410TP	SCREW 11/64-40 L=3.5				1
9	B21064810A0	LEFT & RIGHT DRIVING ROD(B) ASM.				1
10	SD0450701TP	HINGE SCREW D=4.5 H=7		*		2
11	SS7111110TP	SCREW 11/64-40 L=10.5		*		1
12	B21174810A0	FORE & AFT DRIVING ROD ASM.				1
13	B2110481000A	BUSHING UPPER				1
14	B2109481000A	MOUNTING BASE				1
15	SM6062002TP	SCREW M6 L=20				2
16	B2111481000A	BUSHING LOWER				1
17	SS8150710SP	SCREW 15/64-28 L=7				1
18	B2108481000	LEFT & RIGHT DRIVING SHAFT				1
19	B21124810A0	SLIDE BLOCK BRACKET				1
20	SS7111110TP	SCREW 11/64-40 L=10.5		*		1
21	B1414232000	SQUARE BLOCK				1
22	B1827232000	SLIDE ROLLER STUD				1
23	NS6120310SP	NUT 3/16-28				1
24	WP0501016SD	WASHER 5X10.5X1				1
25	B1715481000	COUNTER-SUNK WASHER				1
26	SS1080510SP	SCREW 1/8-44 L=5				1
27	B2124481000	BUSHING REAR				1
28	SS8150710SP	SCREW 15/64-28 L=7				1
29	B21154810A0	SLIDE BLOCK ASM.				1
30	SS6121220TP	SCREW 3/16-28 L=11.5		*		1
31	B21204810A0	FORE & AFT DRIVING ARM ASM.				1
32	SS6121220TP	SCREW 3/16-28 L=11.5		*		1
33	B21194810A0	PIN				1
34	CQ202000000	OIL WICK		*		0.1
35	NS6120310SP	NUT 3/16-28				1
36	B2122481000	THREAD SPREADER DRIVING SHAFT				1
37	B2123481000	BUSHING FRONT				1
38	SS8150710SP	SCREW 15/64-28 L=7				1
39	B21254810A0	THREAD SPREADER DRIVING ARM ASM.				1
40	SS6121220TP	SCREW 3/16-28 L=11.5		*		1
41	SS7090520TP	SCREW 9/64-40 L=4.5		*		1
42	D2126481CA0	THREAD SPREADER ASM.				1
43	TA0500601M0	PLUG D=5X5.4 L=6				1

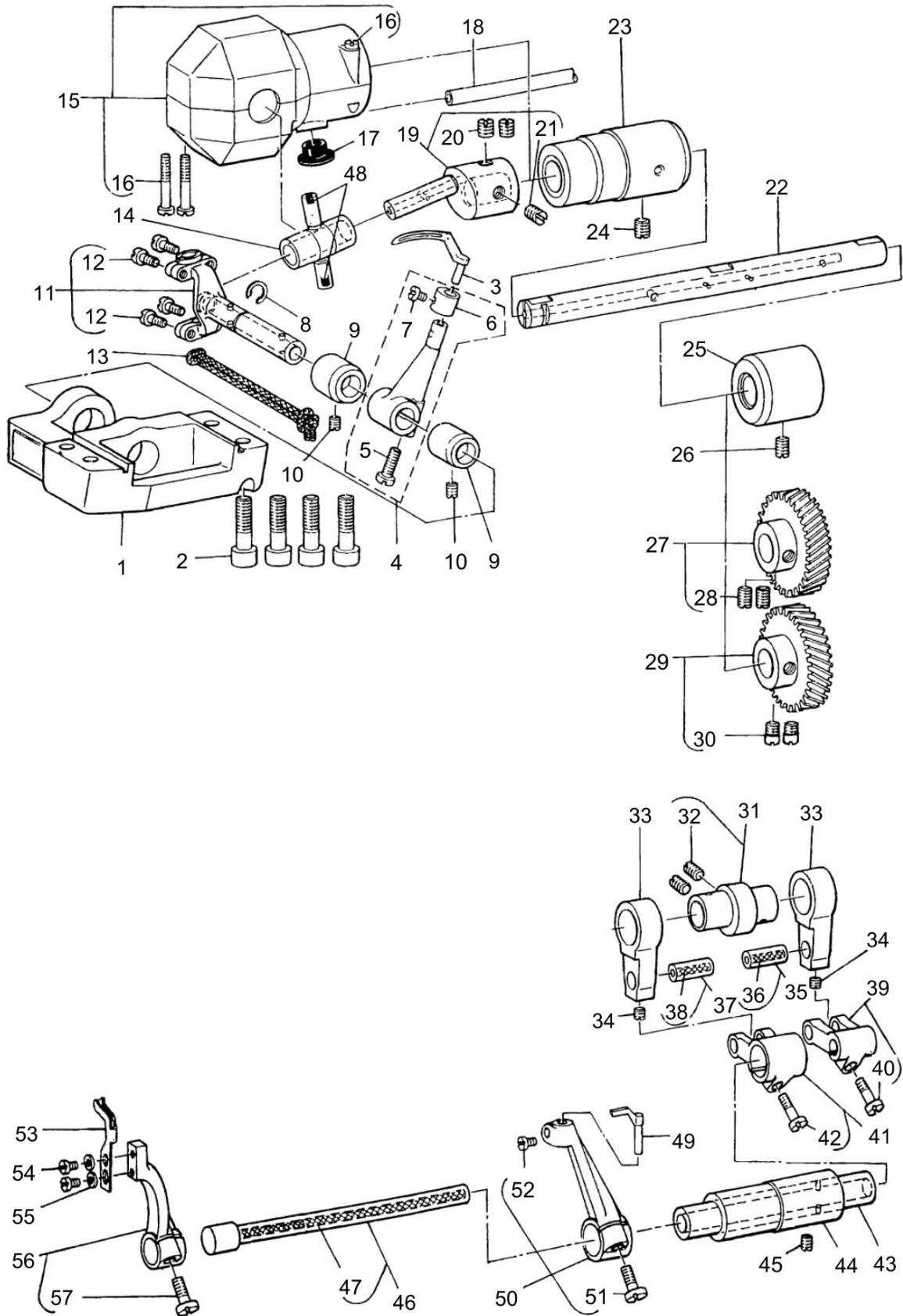
LOOPER & NEEDLE GUARD COMPONENTS



LOOPER & NEEDLE GUARD COMPONENTS

No.	Parts No.	Parts name	Remarks	Level	Cons	Qty
1	D2013481C00	LOOPER MOUNTING BASE				1
2	SM6062002TP	SCREW M6 L=20				4
3	B2030481000	LOOPER				1
4	B20154810A0	LOOPER ROCKER ASM.				1
5	SS6121220TP	SCREW 3/16-28 L=11.5		*		1
6	B2025481000	COLLAR		*		1
7	SS7090520TP	SCREW 9/64-40 L=4.5		*		1
8	B2032481000	LOOPER DRIVING LINK SET RING				1
9	B2012481000	BUSHING REAR				2
10	SS8110410TP	SCREW 11/64-40 L=3.5				2
11	B20104810A0	LOOPER ROCKER SHAFT ASM.				1
12	SS7090910TP	SCREW 9/64-40 L=8.5		*		4
13	CQ252000000	OIL WICK				0.2
14	B2008481000	TRUNNION				1
15	B20144810A0	LOOPER CRANK COVER ASM.				1
16	SS6092120SP	SCREW 9/64-40 L=21.2		*		3
17	TA1050504R0	RUBBER PLUG				1
18	BT0500300EA	OIL TUBE				0.1
19	B20053800A0	LOOPER CRANK ASM.				1
20	SS8660810TP	SCREW 1/4-40 L=8		*		2
21	B2007481000	LOOPER CRANK ADJUSTING SCREW		*		1
22	B2001481000A	LOOPER CRANK DRIVING SHAFT				1
23	B2002481000	BUSHING FRONT				1
24	SS8150710SP	SCREW 15/64-28 L=7				1
25	B1803481000	BUSHING INTERMEDIATE				1
26	SS8150710SP	SCREW 15/64-28 L=7				1
27	B20044810A0	GEAR UPPER				1
28	SS8660810TP	SCREW 1/4-40 L=8		*		2
29	B20054810AB	GEAR LOWER	SELECTIVE PART FOR FIT TOLERANCE			1
30	SS6660610TP	SCREW 1/4-40 L=6		*		2
31	B23014810A0	NEEDLE GUARD CAM				1
32	SS8150710SP	SCREW 15/64-28 L=7		*		2
33	B2302481000	NEEDLE GUARD CRANK ROD				2
34	SS8110410TP	SCREW 11/64-40 L=3.5				2
35	B16104300A0	PIN ASM.				1
36	CQ303000000	OIL WICK		*		0.1
37	B16104300A0	PIN ASM.				1
38	CQ303000000	OIL WICK		*		0.1
39	B23034810A0	LOOP GUIDE ROCKER FORK				1
40	SS7111110TP	SCREW 11/64-40 L=10.5		*		1
41	B23044810A0	REAR NEEDLE GUARD ROCKER FORK				1
42	SS7111310TP	SCREW 11/64-40 L=12.8		*		1
43	B2306481000	NEEDLE GUARD DRIVING SHAFT				1
44	B2307481000	BUSHING				1
45	SS8150710SP	SCREW 15/64-28 L=7				1
46	B23054810A0	LOOP GUIDE DRIVING SHAFT ASM.				1

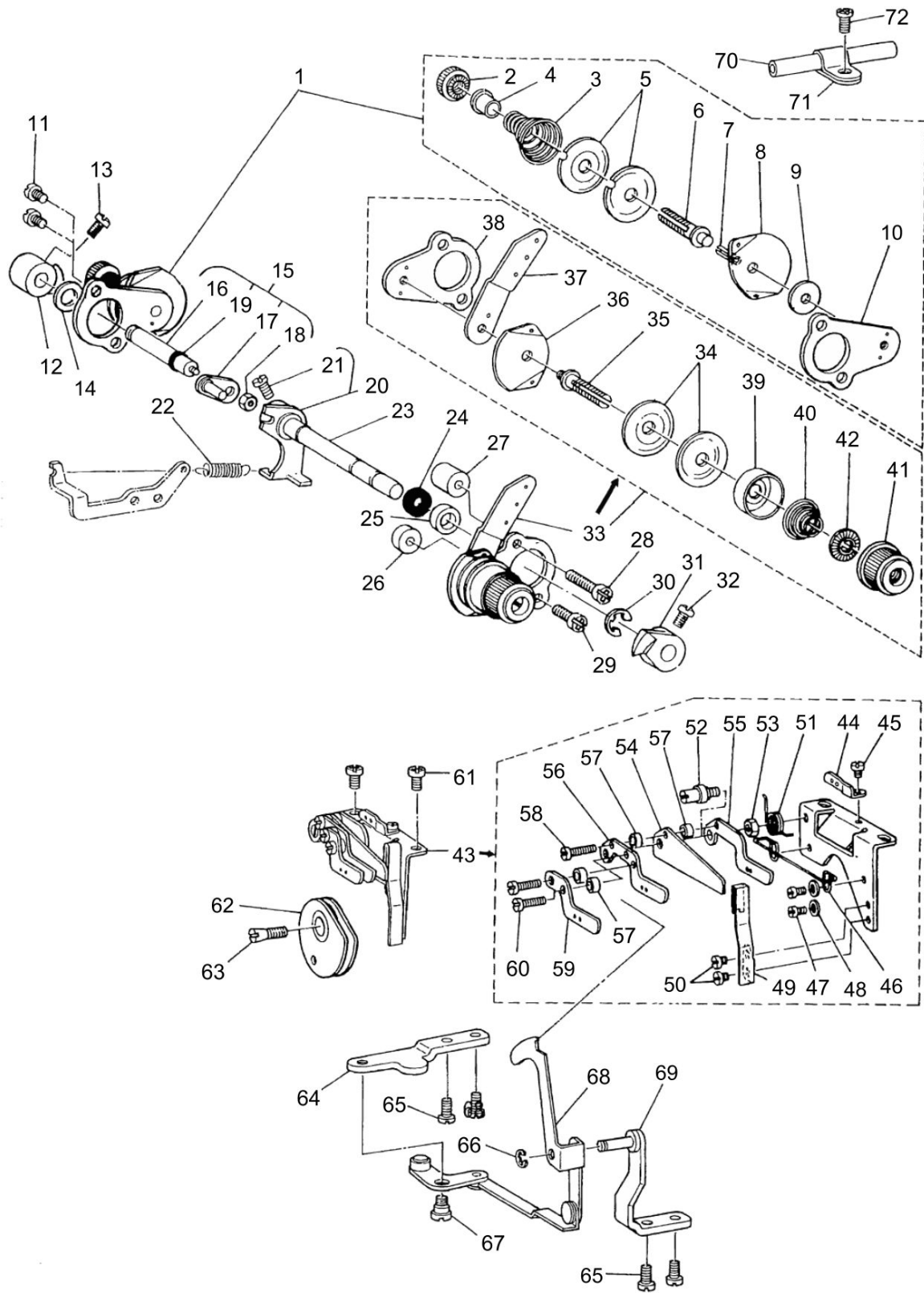
LOOPER & NEEDLE GUARD COMPONENTS



LOOPER & NEEDLE GUARD COMPONENTS

No.	Parts No.	Parts name	Remarks	Level	Cons	Qty
47	CQ252000000	OIL WICK		*		0.3
48	TA0290301MO	RUBBER PLUG				2
49	B2311481000A	NEEDLE GUARD				1
50	B23094810A0	REARNEEDLEGUARDROCKERARMASM.				1
51	SS6121220TP	SCREW 3/16-28 L=11.5		*		1
52	SS7090910TP	SCREW 9/64-40 L=8.5		*		1
53	B2310481000	LOOP GUIDE				1
54	SS7090520TP	SCREW 9/64-40 L=4.5				2
55	WP0371026SD	WASHER 3.7X7X1				2
56	B23084810A0	LOOP GUIDE ROCKER ARM				1
57	SS6121220TP	SCREW 3/16-28 L=11.5		*		1

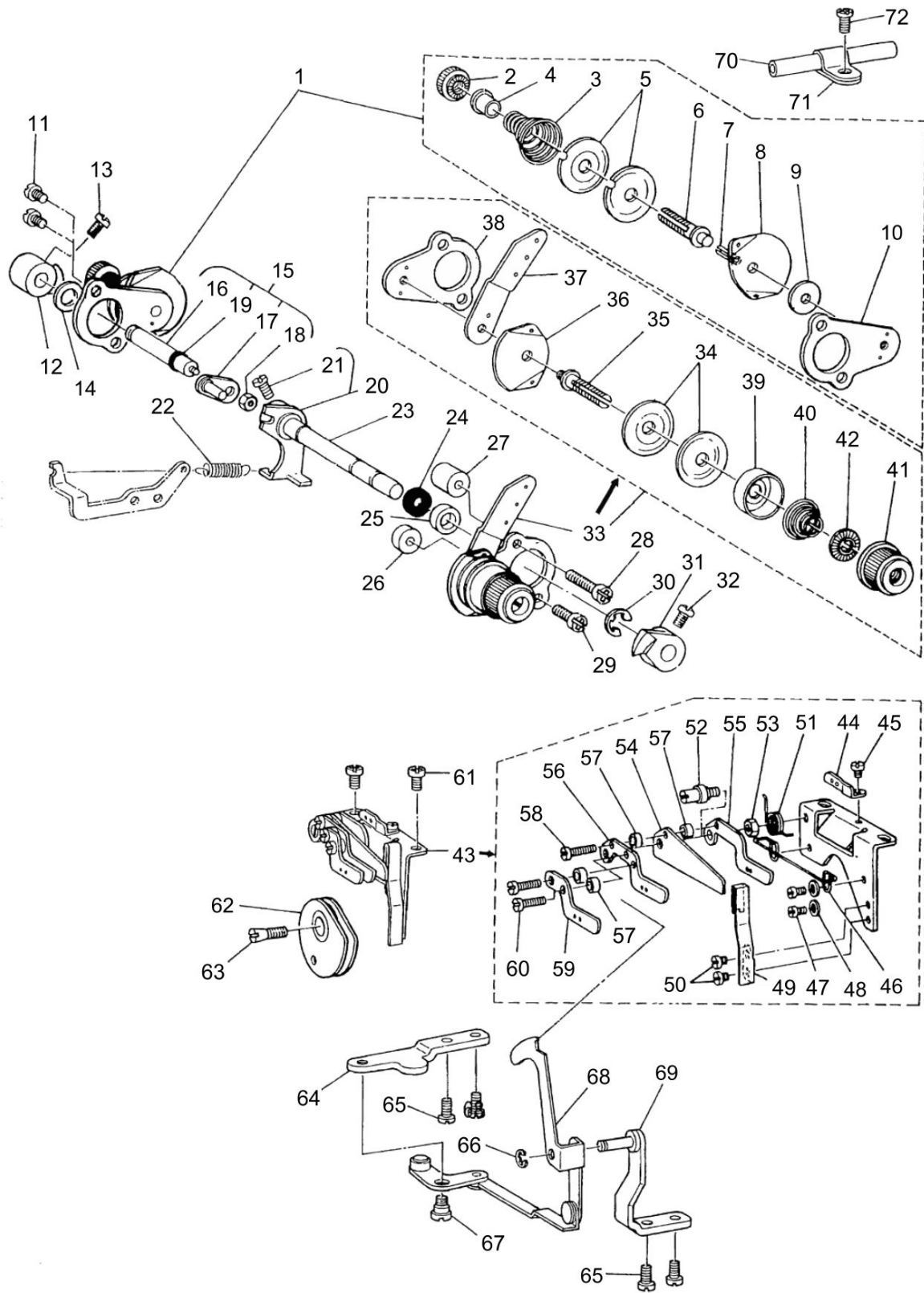
THREAD TENSION CONTROLLER COMPONENTS



THREAD TENSION CONTROLLER COMPONENTS

No.	Parts No.	Parts name	Remarks	Level	Cons	Qty
1	D3103481DA0	LOOPER THREAD TENSION ASM.				1
2	11072204	TENSION NUT		*		1
3	B3106481000	LOOPER THREAD TENSION SPRING		*		1
4	B3120125000	ROTATING STOPPER		*		1
5	B3126352000	TENSION DISC		*		2
6	B3104481000	LOOPER THREAD TENSION POST		*		1
7	PS0200102KH	SPRING PIN 2.0X10		*		1
8	B3106380000	THREAD GUIDE		*		1
9	WP0851216SC	WASHER 8.5X18.0X1.2		*		1
10	B3101481000	TENSION CONTROLLER INSTALLING		*		1
11	SS4110715SP	SCREW 11/64-40 L=7				2
12	B3121481000	LOOPER THREAD TENSION RELEASE				1
13	SS6110420TP	SCREW 11/64-40 L=4.8				1
14	WP0740516SP	WASHER 7.4X11.8X0.5				1
15	D3135481CB0	LOOPER THREAD RELEASE SHAFT ASM.				1
16	D3135481C00A	LOOPER THREAD RELEASE SHAFT		*		1
17	D3136481CA0	TENSION RELEASE ARM ASM.		*		1
18	NS6110310SP	NUT 11/64-40		*		1
19	RO037180100	RUBBER RING		*		1
20	D3130481CA0	TENSION RELEASE ARM ASM.				1
21	SS6110710TP	SCREW 11/64-40 L=6.5		*		1
22	D3134481C00	SPRING				1
23	D3110481C00	TENSION RELEASE SHAFT				1
24	B1522552000	OIL SEAL RING				1
25	B3115481000	TENSION RELEASE SHAFT SPACER				1
26	B3116481000	SPACER(A) FOR INSTALLING PLATE				1
27	B3117481000	SPACER(B) FOR INSTALLING PLATE				1
28	SS4112515SP	SCREW 11/64-40 L=25				1
29	SS4111415SP	SCREW 11/64-40 L=14				1
30	RE0600000K0	E-RING 6				1
31	B3120481000	NEEDLE THREAD TENSION RELEASE				1
32	SS6110420TP	SCREW 11/64-40 L=4.8				1
33	B31024810A0	NEEDLE THREAD TENSION ASM.				1
34	B3126012000	THREAD TENSION DISK		*		2
35	B3104481000	LOOPER THREAD TENSION POST		*		1
36	B2306019000	TENSION THREAD GUIDE		*		1
37	B3102481000	NEEDLE THREAD TENSION GUIDE PLATE		*		1
38	B3101481000	TENSION CONTROLLER INSTALLING		*		1
39	B3107704000	TENSION DISC PRESSER TUBE		*		1
40	B3129012A00	TENSION SPRING		*		1
41	B3119771000	THREAD TENSION NUT		*		1
42	B3120125000	ROTATING STOPPER		*		1
43	D2210481DA0	LOOPER THREAD GUIDE ASM.				1
44	B2203481000	LOOPER THREAD GUIDE(B)		*		1
45	SS6080320SP	SCREW 1/8-44 L=2.5		*		1
46	B2218481000	CAST-OFF WIRE		*		1
47	SS6080410SP	SCREW 1/8-44 L=4		*		2

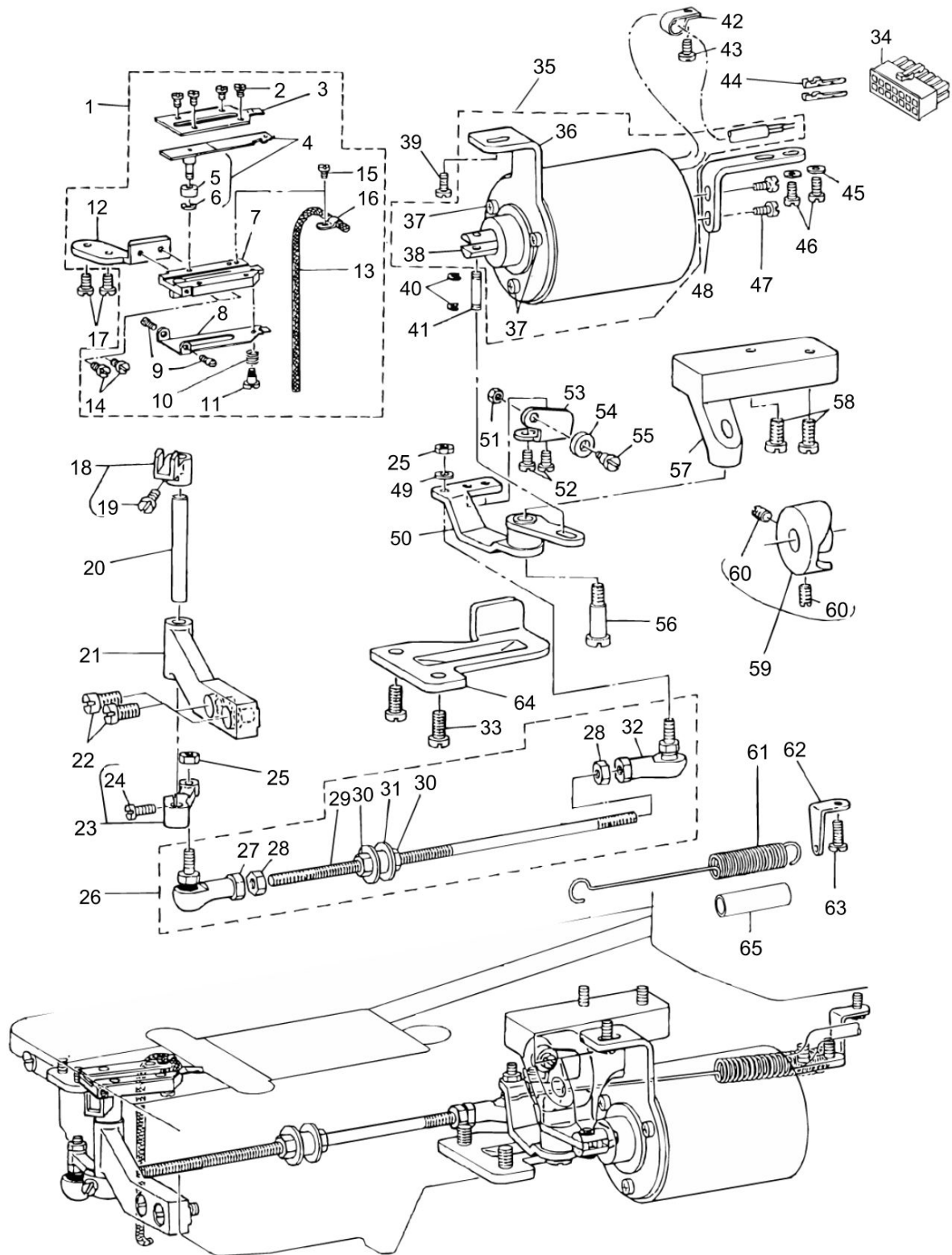
THREAD TENSION CONTROLLER COMPONENTS



THREAD TENSION CONTROLLER COMPONENTS

No.	Parts No.	Parts name	Remarks	Level	Cons	Qty
48	WP0371026SD	WASHER 3.7X7X1		*		2
49	B2217481000	THREAD GUIDE STOPPER SPRING		*		1
50	SS6080320SP	SCREW 1/8-44 L=2.5		*		2
51	B2216481000	THREAD GUIDE SPRING		*		1
52	B2214481000	THREAD GUIDE STUD		*		1
53	NS6110310SP	NUT 11/64-40		*		1
54	D2213481C00	CAST-OFF PLATE		*		1
55	B2212481000	LOOPER THREAD GUIDE RIGHT		*		1
56	D2211481D00	LOOPER THREAD GUIDE LEFT		*		1
57	B2215481000	COLLAR		*		4
58	SS7081310SP	SCREW 1/8-44 L=12.5		*		1
59	D2227481D00	LOOPER THREAD GUIDE		*		1
60	SS4080610SP	SCREW 1/8-44 L=6.4		*		2
61	SS4110515SP	SCREW 11/64-40 L=5				2
62	B2220481010	LOOPER THREAD CAM ASM.				1
63	B2225481000	SCREW				1
64	D3931481D00	ARM INSTALLING PLATE				1
65	SS4110715SP	SCREW 11/64-40 L=7				4
66	RE0400000K0	E-RING 4				1
67	SD0640211SP	HINGE SCREW D=6.35 H=2.1				1
68	D3928481DA0	THREAD TENSION RELEASE ASM.				1
69	D3929481DA0	RELEASE LEVER INSTALLING ASM.				1
70	D3105481D00	LOOPER THREAD GUIDE				1
71	D2120555C00	CORD PRESSER (120V)				1
72	SS4110715SP	SCREW 11/64-40 L=7				1

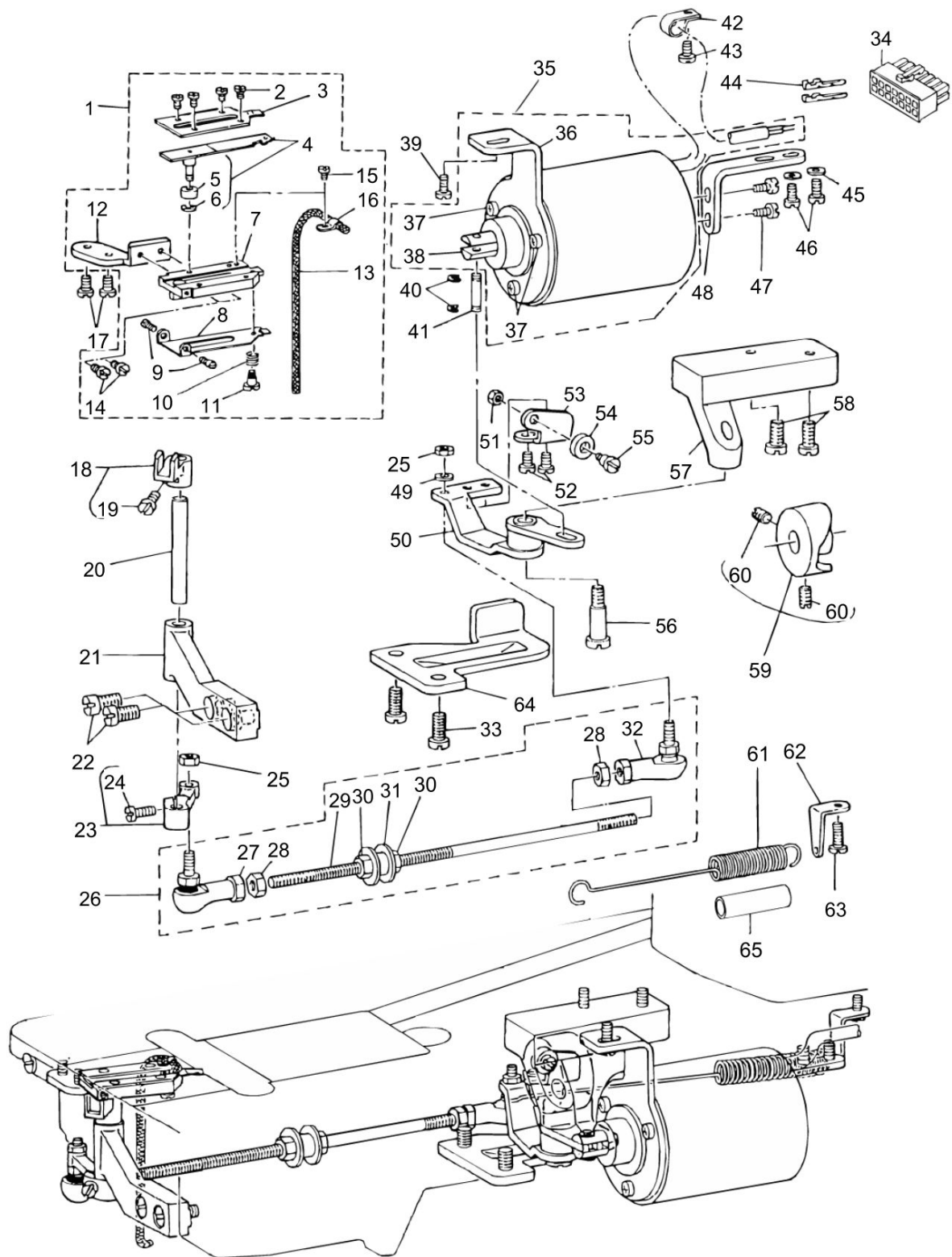
THREAD TRIMMER COMPONENTS



THREAD TRIMMER COMPONENTS

No.	Parts No.	Parts name	Remarks	Level	Cons	Qty
1	D2407481DBA	MOVING KNIFE MOUNTING PLATE ASM.				1
2	SS6090420SP	SCREW 9/64-40 L=4.0		*		4
3	D2405481C00A	COUNTER KNIFE		*		1
4	D2401481CD0	MOVING KNIFE ASM.		*		1
5	D2403481C00	COLLAR		*		1
6	RE0250000K0	E-RING 2.5		*		1
7	D2407481D00	MOUNTING PLATE		*		1
8	D2406481D00	THREAD CLAMPING		*		1
9	D2409481D00	CLAMPING STOPPER PIN		*		2
10	D2404481D0A	THREAD CLAMPING SPRING		*		1
11	SD0360601SP	CLAMPING SCREW		*		1
12	D2408481C00A	MOUNTING PLATE INSTALLING BASE		*		1
13	CQ202000000	OIL WICK		*		0.2
14	SS6090510SP	SCREW 9/64-40 L=5		*		2
15	SS5060310SP	SCREW 3/32-56 L=2.8		*		1
16	D2410481C00A	OIL WICK HOLDER		*		1
17	SS7110840SP	SCREW 11/64-40 L=7.8				2
18	D2411481CA0	KNIFE DRIVING FORK ASM.				1
19	SS7111110TP	SCREW 11/64-40 L=10.5		*		1
20	D2413481C00	KNIFE DRIVING SHAFT				1
21	D2412481C00	MOVING KNIFE BUSHING PIN				1
22	SS6151920SP	SCREW 15/64-28 L=19.0				2
23	D2414481CA0	KNIFE DRIVING ARM ASM.				1
24	SS7111110TP	SCREW 11/64-40 L=10.5		*		1
25	NM6050001SP	NUT M5				2
26	D2415481DA0A	THREAD-CUTTING BALL JOINT ASM.				1
27	D2415481D00	KNIFE DRIVING ARM JOINT		*		1
28	NM6050001SP	NUT M5		*		2
29	D2416481C00	CONNECTING ROD		*		1
30	NM6050001SP	NUT M5		*		2
31	D3921481D00	CAM THREAD RELEASE BLOCK		*		1
32	D2415481C00	KNIFE DRIVING ARM JOINT		*		1
33	SS7151210SP	SCREW 15/64-28 L=12				2
34	HK034610140	HOUSING 14P	FOR MH-486-5			1
35	D2460481DAB	SOLENOID ASM.				1
36	D2466481C00	SOLENOID INSTALLING PLATE		*		1
37	SS7110740TP	SCREW 11/64-40 L=7		*		3
38	D2465481C00	PLUNGER		*		1
39	SS6151040SP	SCREW 15/64-28 L=10				1
40	RE0400000K0	E-RING 4				2
41	D2461481C00	CONNECTING PIN				1
42	G5066110000	CORD HOLDER				1
43	SS7110910SP	SCREW 11/64-40 L=8.5				1
44	HK03464000B	PIN CONTACT	FOR MH-486-5			2
45	WP0480856SP	WASHER 4.8X8.4X0.8				2
46	SS7111120SP	SCREW 11/64-40 L=10.5				2
47	SS7110740TP	SCREW 11/64-40 L=7				2

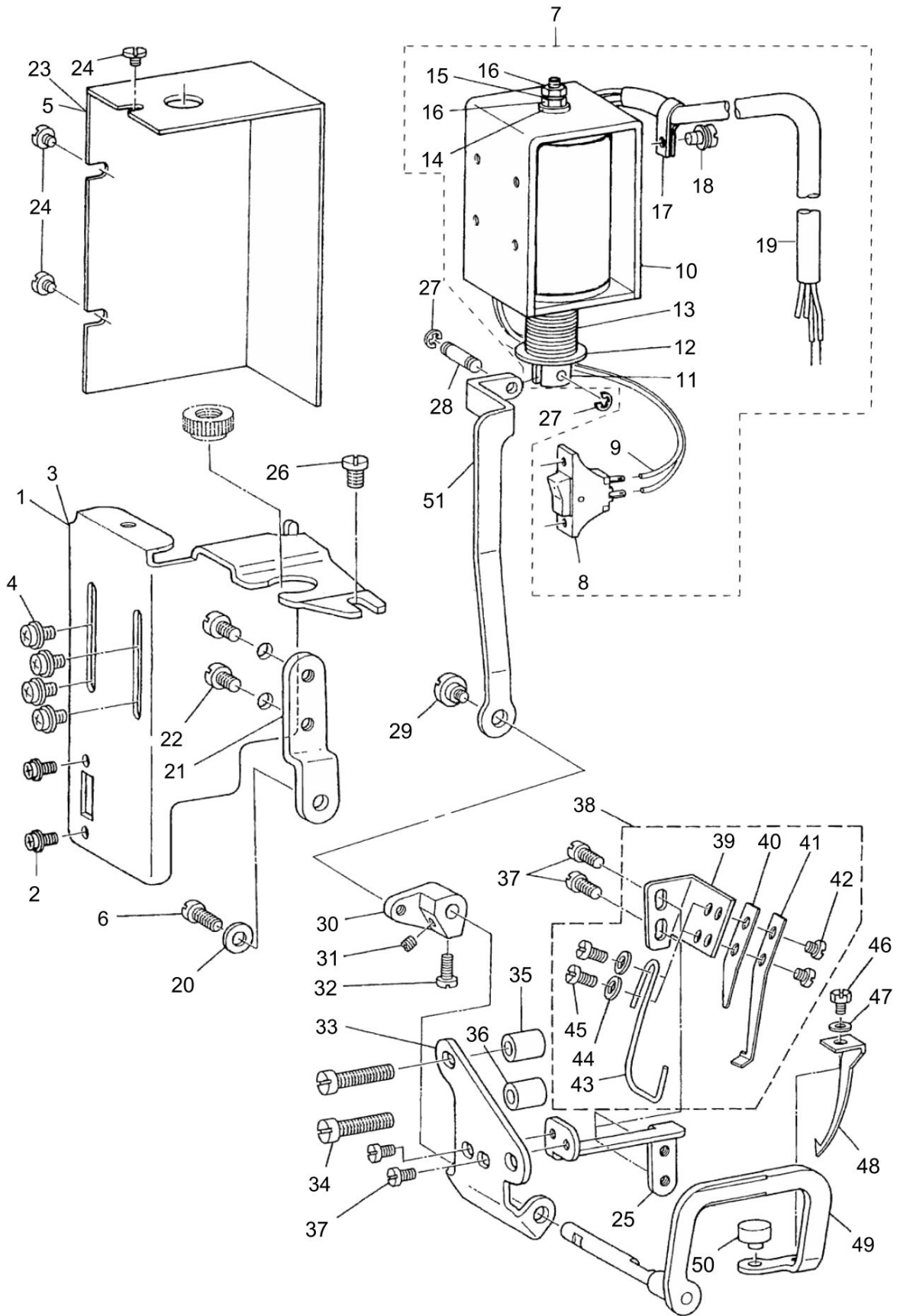
THREAD TRIMMER COMPONENTS



THREAD TRIMMER COMPONENTS

No.	Parts No.	Parts name	Remarks	Level	Cons	Qty
48	D2462481C00	SOLENOID HOLDER				1
49	WP0501016SD	WASHER 5X10.5X1				1
50	D2421481CA0	THREAD TRIMMER LEVER ASM.				1
51	NS6120310SP	NUT 3/16-28				1
52	SS5110810SP	SCREW 11/64-40 L=8				2
53	D2429481C00	ROLLER INSTALLING PLATE				1
54	D2430481C00	ROLLER				1
55	SD0600452TP	HINGE SCREW D=6 H=4.5				1
56	SD0791501SP	HINGE SCREW D=7.94 H=15.0				1
57	D2426481C00	THREAD TRIMMER LEVER MOUNTING				1
58	SS6151412TP	SCREW 15/64-28 L=14				2
59	D2428481CA0	SAFETY CAM ASM.				1
60	SS8151150TP	SCREW 15/64-28 L=10.5		*		2
61	D2424481C00A	TENSION SPRING				1
62	D2425481C00	SUSPENSION BRACKET				1
63	SS7110710TP	SCREW 11/64-40 L=7.0				1
64	D2461486E00	THREAD TRIMMER STOPPER				1
65	BT0800602E0	URETHANE TUBE 6X8 TRANSPARENT				0.12

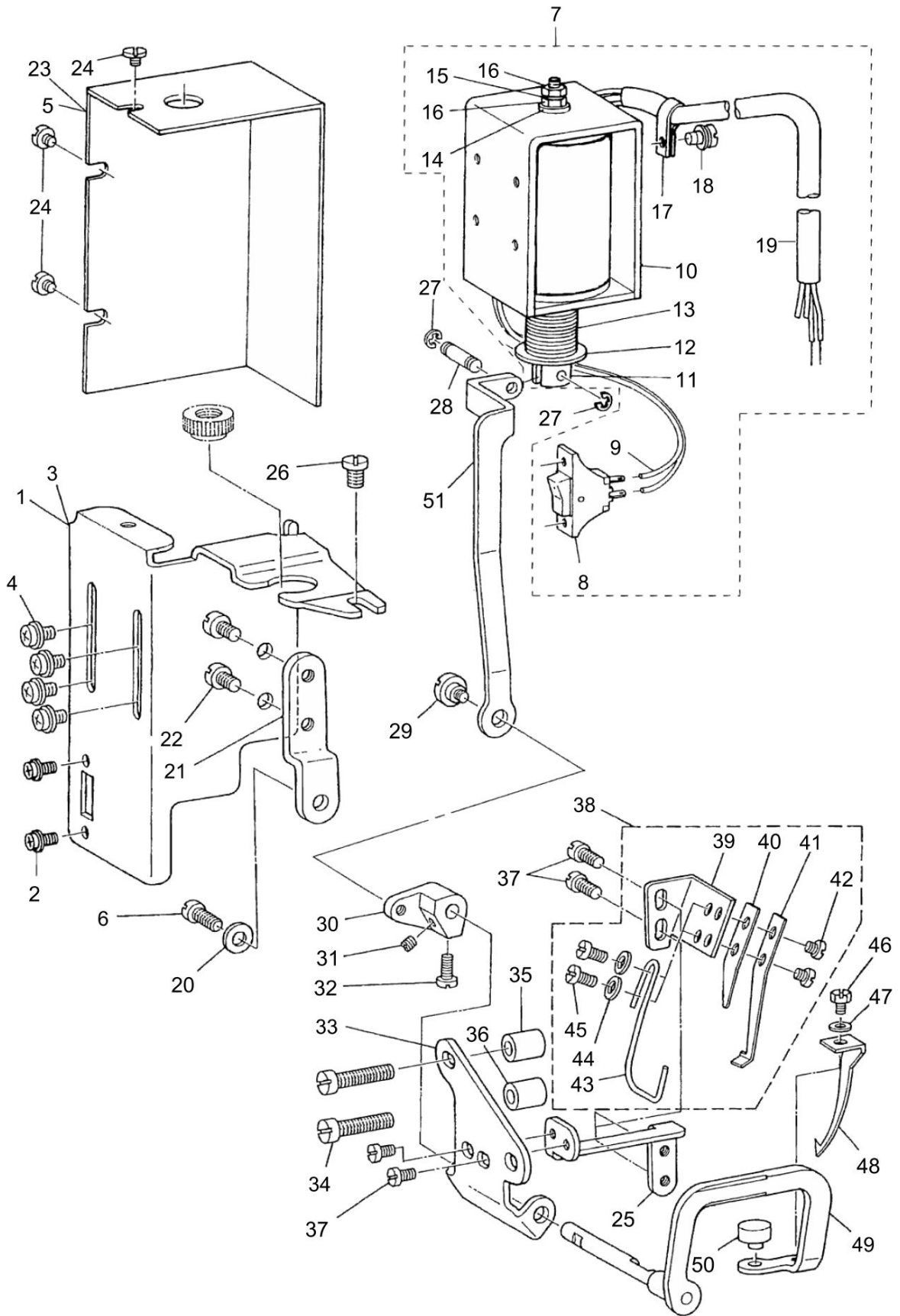
WIPER COMPONENTS



WIPER COMPONENTS

No.	Parts No.	Parts name	Remarks	Level	Cons	Qty
1	D2101490D00A	MAGNET BASE COVER				1
2	SL4030621SS	SCREW M3				2
3	D2101490D0A	MAGNET INSTALLING PLATE	FOR URBAN WHITE			1
4	SL4040881SF	SCREW M4 L=8				4
5	D2111555B0A	MAGNET INSTALLING BASE COVER	FOR URBAN WHITE			1
6	SS6111010SP	SCREW 11/64-40 L=9.5				1
7	D3008481DAB	WIPER DRIVING SOLENOID ASM.				1
8	D2119555C00	SWITCH		*		1
9	HW2F18S1219	ELECTRIC WIRE WHITE		*		0.1
10	D3901481D0B	SOLENOID		*		1
11	D2118555B00A	PLUNGER		*		1
12	RE0901110K0	SNAP RING 9		*		1
13	D3006481C00	SPRING		*		1
14	MAT80115T00	WASHER		*		1
15	WS0411002KS	SPRING WASHER 4.1X7.6X1.0		*		1
16	NM6040003SC	NUT M4		*		2
17	HX00150000A	CABLE CLAMP		*		1
18	SL4041081SC	SCREW M4 L=10		*		1
19	HW000600020	2-CORE CABTYRE CORD		*		1
20	WS0510002KN	SPRING WASHER				1
21	D2112490D00	MAGNET BASE AUXILIARY PLATE				1
22	SS7110510SP	SCREW 11/64-40 L=5				2
23	D2111555B00B	MAGNET INSTALLING BASE COVER				1
24	SS7110340SP	SCREW 11/64-40 L=3.2				3
25	D3009486E00	THREAD CLAMP BASE BRACKET				1
26	SS7110840SP	SCREW 11/64-40 L=7.8				1
27	RE0250000K0	E-RING 2.5				2
28	D2107555B00	WIPER LINK SHAFT A				1
29	SD0550271TP	HINGE SCREW D=5.50 H=2.7				1
30	D3007486E00	WIPER LINK ARM				1
31	SS8090410TP	SCREW 9/64-40 L=3.9				1
32	SS6090810TP	SCREW 9/64-40 L=7.5				1
33	D3001486E00	WIPER BRACKET				1
34	SS7112420SP	SCREW 11/64-40 L=24				2
35	D2114555B00	BRACKET INSTALLING COLLAR				2
36	D2121555D00	BRACKET INSTALLING COLLAR				1
37	SS7090510SP	SCREW 9/64-40 L=4.6				4
38	D3010486EA0	THREAD CLAMP BASE				1
39	D3010486E00	THREAD CLAMP STUD		*		1
40	D3013481D00	SPRING B		*		1
41	D3012481D00	SPRING A		*		1
42	SS6080320SP	SCREW 1/8-44 L=2.5		*		2
43	D3011481D00	THREAD CLAMP		*		1
44	WP0371026SD	WASHER 3.7X7X1		*		2
45	SS6080410SP	SCREW 1/8-44 L=4		*		2
46	SS9080410SP	SCREW 1/8-44 L=4.3				1
47	WP0371016SD	WASHER 3.7X8X1				1

WIPER COMPONENTS



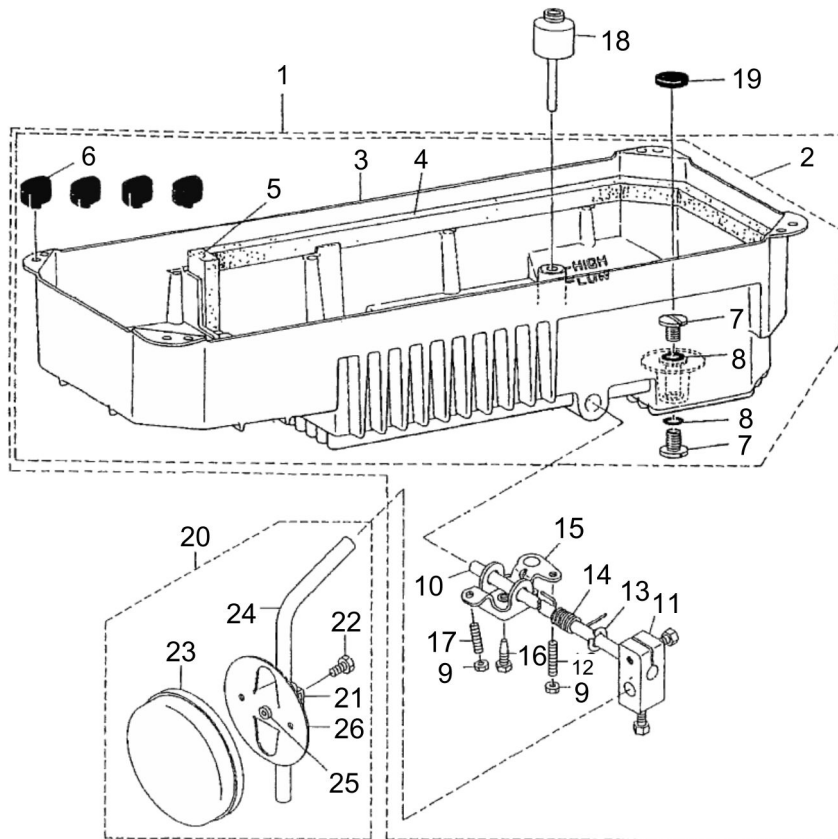
WIPER COMPONENTS

No.	Parts No.	Parts name	Remarks	Level	Cons	Qty
48	D3003486E00	WIPER				1
49	D3006486EA0	WIPER SHAFT ASM.				1
50	D3005481C00	WIPER CUSHION				1
51	D2109486E00	WIPER LINK				1

OIL LUBRICATION MECHANISM COMPONENTS

No.	Parts No.	Parts name	Remarks	Level	Cons	Qty
1	B3526490000	OIL UNWOVEN CLOTH				1
2	B3536450000	HOLDER				1
3	B35284860A0	OIL RETURN TUBE ASM.				1
4	22925101	OIL FELT PRESSER				1
5	SS4110715SP	SCREW 11/64-40 L=7				2
6	B3536122000	HOLDER				1
7	B3404122000	SPRING				1
8	SS4110715SP	SCREW 11/64-40 L=7				2
9	D3133481C00	SUSPENSION BRACKET				1
10	B1214038000	PLUNGER SPRING				1
11	B3534155000	PLUNGER				1
12	SQ1110402MZ	CONNECTING SCREW				2
13	B3530555000	OIL SIGHT WINDOW				1
14	RO195240100	RUBBER RING				1
15	B3527415000	RUBBER JOINT				1
16	B3502487000	MAIN SHAFT OIL PIPE				1
17	B3527415000	RUBBER JOINT				1
18	B3553481000	GEAR OIL PIPE				1
19	B2657771000	GUIDE				1
20	SS4110715SP	SCREW 11/64-40 L=7				2
21	SS4110715SP	SCREW 11/64-40 L=7				1
22	B3554481000	HOLDER				2
23	NS6110420SP	NUT 11/64-40				1
24	B3509470000	RUBBER JOINT				1
25	B3503487000	JOINT				1
26	B3501487000	LOWER SHAFT OIL PIPE				1
27	B3504487000	RUBBER JOINT				1
28	B3505470000	SUPPORTING PLATE				1
29	B3507470000	LUBRICATING OIL PUMP IMPELLER				1
30	WS0441040KP	SPRING WASHER 4.4X7.4X1				1
31	B3522470000	IMPELLER SET SCREW				1
32	SS1110840SP	SCREW 11/64-40 L=8				3
33	B3552481000	OIL PUMP INSTALLING COLLAR				2
34	SS6123010SP	SCREW 3/16-28 L=30.0				2
35	B3501470000	LUBRICATING OIL PUMP				1
36	B3502470000	LUBRICATING OIL PUMP COVER				1
37	B3504470000	FILTER SCREEN				1
38	B3503470000	LUBRICATING OIL PUMP FRAME				1
39	SS6081210SP	SCREW 1/8-44 L=12				3

OIL RESERVOIR & KNEE LIFTER COMPONENTS



OIL RESERVOIR & KNEE LIFTER COMPONENTS

No.	Parts No.	Parts name	Remarks	Level	Cons	Qty
1	B8217481AD0	OIL RESERVOIR ASM.				1
2	B8217481AC0	OIL RESERVOIR ASM.		*		1
3	B8217481000	OIL RESERVOIR		*		1
4	B8235481000	GASKET A		*		2
5	B8237481000	GASKET C		*		1
6	D8227555E00	FELT CUSHION		*		4
7	SS7701010SP	SCREW 5/16-24 L=10		*		2
8	RO068190100	RUBBER RING		*		2
9	NM6060001SE	NUT M6		*		2
10	B3420555000	KNEE PRESS ROD		*		1
11	22932453	BRACKET ASM.		*		1
12	SM8063012TR	SCREW M6 L=30		*		1
13	B3426552000	THRUST RING		*		1
14	11024106	SPRING		*		1
15	B3425555000A	KNEE LIFTER ROTATION ARM		*		1
16	SM9061853SR	SCREW M6 L=17.5		*		1
17	SM8063012TR	SCREW M6 L=30		*		1
18	B3421555000	KNEE PRESS LIFTER ROD				1
19	B8228125000	OIL RESERVOIR MAGNET				1
20	22934251	KNEE PAD PLATE ASM.				1
21	22934301	KNEE PAD PLATE SUPPORT		*		1
22	SM9061203SE	SCREW M6 L=12		*		1
23	22934509	KNEE PAD PLATE COVER		*		1
24	22934608	KNEE PAD UPRIGHT SHAFT		*		1
25	22934400	KNEE PAD PLATE RUBBER		*		1
26	22934202	KNEE PAD PLATE		*		1

PF-3: PEDAL/KNEE PRESSER CONTROLLED GATHERING MECHANISM (SPECIAL ORDER PARTS)

B TYPE		D TYPE		M TYPE		S TYPE	
POSITIONAL RELATION BETWEEN PRESSER FOOT ASSEMBLY AND WALKING FOOT 押え（組） 上送り押えの位置関係図							
PRESSER FOOT ASM. 押え（組）							
NO 1	B1524-486-BB0	NO 2	B1524-486-DB0	NO 3	B1524-486-MBA	NO 4	B1524-486-CB0
WALKING FOOT 上送り押え							
NO 5	B3026-487-000	NO 6	B3026-487-D00	NO 7	B3026-490-M00	NO 8	B3026-487-S00

PF-3: PEDAL/KNEE PRESSER CONTROLLED GATHERING MECHANISM (SPECIAL ORDER PARTS)

No.	Parts No.	Parts name	Remarks	Level	Cons	Qty
1	GPF03000A0	GATHERING MECHANISM ASM.				1
2	GPF01013000A	KNEE PRESS ROD		*		1
3	GPF01009000	DRIVING ARM		*		1
4	B3413552000	SUSPENSION SCREW		*		1
5	B3417552000	LIFTING LEVER LINK SPRING		*		1
6	B3426552000	THRUST RING		*		1
7	SS9661120CP	SCREW 1/4-40 L=10.5	PARTS WHOSE SETTING POSITION CAN BE CHANGED BY OPERATOR'S PREFERENCE	*		1
8	SD0640241SP	HINGE SCREW D=6.35 H=2.4		*		1
9	GPF010140A0	BRACKET ASM.		*		1
10	SS9151540SR	SCREW 15/64-28 L=15	PARTS WHOSE SETTING POSITION CAN BE CHANGED BY OPERATOR'S PREFERENCE	*		1
11	SS9151160CP	SCREW 15/64-28 L=10.5		*		1
12	GPF01012000	SLEEVE		*		1
13	CS111101ESH	COLLAR ASM. D=11.11 W=10		*		1
14	SS6661110SP	SCREW 1/4-40 L=11		*		1
15	GPF01018000A	SPRING		*		1
16	GPF03010000	PEDAL CONNECTING ARM		*		1
17	GPF010010A0	WIRE ASM.		*		1
18	GPF03001000	STOPPER BASE		*		2
19	GPF010150B0	CONNECTING ROD ASM. LOWER		*		1
20	D7117555BA0	JOINT BAR A ASM.		*		1
21	NM6060001SE	NUT M6		*		1
22	B7114012000	MOTOR CONNECTING ROD		*		1
23	SM9081423SE	SCREW M8 L=14		*		1
24	NM6080721SE	NUT M8		*		1
25	GPF01015000	CONNECTING ROD LOWER		*		1
26	D7133555B00	CONNECTING ROD SPRING		*		2
27	SK3311600SB	WOOD SCREW D=3.1 L=16		*		1
28	GPF01011000	WIRE TUBE GUIDE		*		1
29	SK3514000SD	WOOD SCREW D=5.1 L=40		*		2
30	WP1102016SC	WASHER 11X21X2		*		1
31	22958458	CONNECTING ROD ASM. B		*		1
32	22958557	CONNECTING BALL ASM.		*		2
33	22958805	CONNECTING BALL JOINT		*		1
34	SM9081620SE	SCREW M8 L=16		*		1
35	NM6080001SE	NUT M8		*		1
36	NM6060003SE	NUT FOR BRACKET		*		2
37	WS0621210KR	SPRING WASHER 6.2X11.4X1.2				4
38	WP0671016SE	WASHER 6.7X13X1				4
39	D8112555B0E	PEDAL ADJUSTING PLATE				1
40	SM9082023SE	SCREW M8 L=20				2
41	WS0861410KR	SPRING WASHER 8.6X15X1.4				2
42	WP0871602SE	WASHER 8.7X18X1.6				2
43	D8114555B0E	PEDAL SHAFT BRACKET				2
44	NM6080721SE	NUT M8				2
45	D8113555B00	PEDAL BUSHING				4
46	D8110555B0E	PEDAL				1

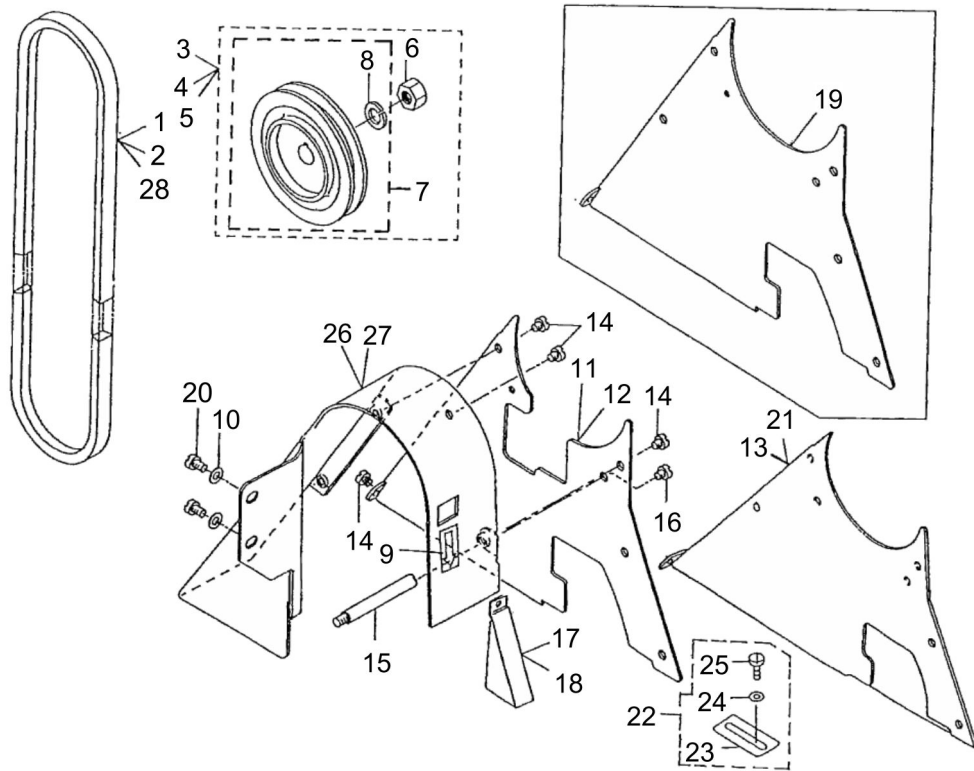
PF-3: PEDAL/KNEE PRESSER CONTROLLED GATHERING MECHANISM (SPECIAL ORDER PARTS)

B TYPE		D TYPE		M TYPE		S TYPE	
POSITIONAL RELATION BETWEEN PRESSER FOOT ASSEMBLY AND WALKING FOOT 押え（組） 上送り押えの位置関係図							
PRESSER FOOT ASM. 押え（組）							
NO 1	B1524-486-BB0	NO 2	B1524-486-DB0	NO 3	B1524-486-MBA	NO 4	B1524-486-CB0
WALKING FOOT 上送り押え							
NO 5	B3026-487-000	NO 6	B3026-487-D00	NO 7	B3026-490-M00	NO 8	B3026-487-S00

PF-3: PEDAL/KNEE PRESSER CONTROLLED GATHERING MECHANISM (SPECIAL ORDER PARTS)

No.	Parts No.	Parts name	Remarks	Level	Cons	Qty
47	D8111555B0E	PEDAL MAT				1
48	B812528000E	PEDAL ADJUSTING PLATE				1
49	B81517710A0	PEDAL ASM.				1
50	B8152771000	PEDAL MAT				1
51	GPF01017000	LINER PLATE				1
52	GPF01016000	PEDAL SHAFT				1
53	SM9061203SE	SCREW M6 L=12				4

MOTOR PULLY & BELT COVER COMPONENTS



MOTOR PULLY & BELT COVER COMPONENTS

No.	Parts No.	Parts name	Remarks	Level	Cons	Qty
1	MTJVM004100	V-BELT 41 INCH	FOR 50HZ			1
2	MTJVM004200	V-BELT 42 INCH	FOR 60HZ			1
3	MTSP00900A0	MOTOR PULLEY ASM. P.C.D. 90	FOR 60HZ			1
4	MTSP01050A0	MOTOR PULLEY ASM. P.C.D. 105	FOR 50HZ			1
5	MTSP01200A0	MOTOR PULLEY ASM. P.C.D. 120	FOR MH-486-5			1
6	NM6550815SF	NUT		*		1
7	MTSP01200B0	MOTOR PULLEY ASM. P.C.D 120	FOR MH-486-5	*		1
8	WS1002560KR	SPRING WASHER 10X18X2.5		*		1
9	CM500300001	DIRECTION LABEL				1
10	WP0621016SD	WASHER 6.2X13X1				2
11	D8231555E0A	BELT COVER TOP	FOR MH-486-4-3 EXCEPT JE			1
12	D8231555E0D	BELT COVER TOP	FOR URBAN WHITE (FOR MH-486-4-3 EXCEPT JE)			1
13	40013170	BELT COVER TOP	FOR MH-486-5			1
14	SS7110840SP	SCREW 11/64-40 L=7.8				4
15	D8232555B00	BELT COVER SUPPORT				1
16	SS4110815SP	SCREW 11/64-40 L=8				1
17	D8232490E00	THREAD WINDER COVER				1
18	D8232490E0A	THREAD WINDER COVER	FOR URBAN WHITE			1
19	D8231555E00	BELT COVER TOP	FOR MH-486-4-3(JE),486-5			1
20	SS7150740SP	SCREW 15/64-28 L=7				2
21	B8231380000	BELT COVER TOP	FOR JE & USE IN JAPAN			1
22	10163152	BELT COVER SUPPORT PLATE ASM.	FOR JE			1
23	10163103	BELT COVER SUPPORT PLATE		*		1
24	WP0501016SC	WASHER 5X10.5X1		*		1
25	SK3482500SC	WOOD SCREW D=4.8 L=25		*		1
26	D8230490E00	BELT COVER				1
27	B82304860A0	BELT COVER	FOR URBAN WHITE			1
28	MTJVM00420A	V-BELT	FOR MH-486-5			1

TABLE OF EXCHANGING GAUGE PARTS

B TYPE		D TYPE		M TYPE		S TYPE	
POSITIONAL RELATION BETWEEN PRESSER FOOT ASSEMBLY AND WALKING FOOT 押え（組）上送り押えの位置関係図							
PRESSER FOOT ASM. 押え（組）							
NO 1	B1524-486-BB0	NO 2	B1524-486-DB0	NO 3	B1524-486-MBA	NO 4	B1524-486-CB0
WALKING FOOT 上送り押え							
NO 5	B3026-487-000	NO 6	B3026-487-D00	NO 7	B3026-490-M00	NO 8	B3026-487-S00

TABLE OF EXCHANGING GAUGE PARTS

No.	Parts No.	Parts name	Remarks	Level	Cons	Qty
1	B1524486BB0	PRESSER FOOT ASM.(FOR GUARD)				1
2	B1524486DB0	PRESSER FOOT ASM.(FOR GUARD)				1
3	B1524486MBA	PRESSER FOOT ASM., M				1
4	B1524486SB0	PRESSER FOOT ASM.(FOR GUARD)				1
5	B3026487000	WALKING FOOT				1
6	B3026487D00	WALKING FOOT				1
7	B3026490M00	WALKING FOOT M				1
8	B3026487S00	WALKING FOOT				1

THREAD STAND COMPONENTS

No.	Parts No.	Parts name	Remarks	Level	Cons	Qty
1	40111351	THREAD STAND ASM.				1

LIST FOR INFORMATION OF CHANGE

As to the place changed, refer to the corresponding Rev.No.
 When previous parts(Obsoleted part)and new parts(Added parts)are
 not interchangeable with each other:
 In this case,even obsoleted parts(D.)can be ordered with the
 obsoleted part number,so select the parts with changed dates and
 place your orders.

変更箇所は、該当Rev.No.版をご参照ください。
 部品の互換性がない変更の場合は、削除された品番でも、ご注文できます。
 BE486530PJA

No.0205-10 Rev.No.

*A:Added parts追加部品/D:Obsoleted parts削除部品/E:Erratum訂正

* Rev. No.	Page 頁	Ref. No.	Parts No. 品番	* Rev. No.	Page 頁	Ref. No.	Parts No. 品番
D 09	2	61	CM-3002000-B1				
D 09	2	62	CM-3002001-01	A 10	2	61	CM-3012000-01
D 09	2	63	CM-3002001-A1				
D 09	4	40	B1106-481-0A0-A	A 10	4	40	B1166-481-000
				A 10	4	52	229-51552
D 09	8	22	B1511-555-000	A 10	8	22	229-07604
D 09	8	53	B1432-027-000	A 10	8	53	228-14909
D 09	10	33	B1627-555-0A0	A 10	10	33	401-20458
D 09	12	26	B1605-555-000	A 10	12	26	401-33994
D 09	12	48	B1604-155-000	A 10	12	48	401-33993
D 09	12	51	B1604-155-000	A 10	12	51	401-33993
D 09	14	40	B1229-232-000	A 10	14	40	RC-0410415-KP
D 09	14	52	B1229-232-000	A 10	14	52	RC-0410415-KP
D 09	14	55	SS-7121410-SP	A 10	14	55	SS-7121410-TP
D 09	18	33	D3901-486-EAC				
D 09	18	39	NM-6043212-SA	A 10	18	39	NM-6040003-SC
D 09	18	40	WS-0411002-KB	A 10	18	40	WS-0411002-KS
D 09	18	42	G5066-110-000	A 10	18	42	HX-0015000-0B
D 09	22	34	SS-8110410-SP	A 10	22	34	SS-8110410-TP
D 09	26	34	D2460-486-EAB				
				A 10	28	7	D3008-481-DAB
D 09	28	21	RE-0901110-00	A 10	28	12	RE-0901110-K0
D 09	28	24	WS-0411002-KN	A 10	28	15	WS-0411002-KS
D 09	28	25	NM-6043212-SA	A 10	28	16	NM-6040003-SC
D 09	28	26	D2120-555-C00	A 10	28	17	HX-0015000-0A
D 09	28	27	WP-0450500-SB				
D 09	28	28	SM-4040601-SB	A 10	28	18	SL-4041081-SC
				A 10	28	19	HW-0006000-20
D 09	32	31	D7114-555-BAB	A 10	32	31	229-58458
D 09	36	1	269-10653	A 10	35	1	401-11351

HOW TO MAKE USE OF THIS PARTS LIST

1.Explanation of codes

1)"*"mark.....means this part is changed from the previous parts book.

As to the details of the change, refer to the "List for information of change".

2)"#01".....refer to "Note" explanation at bottom of page.

2.Codes on the "Qty" column

- Each numeral indicates the number of parts required.
- "0.1" and "2.5" indicate the length (in meters) of the respective parts.

3.Parentheses mean that the corresponding part is a subpart that constructs an assembly part.

4.Dotted lines on the Figures indicate assembly parts.

1."注記"欄の記号説明

1) "*"印.....前回のパーツブックに比較して今回変更された部品を意味します。

変更内容は、"変更情報リスト"を参照してください。

2) "#01".....ページ下の"注記"の説明を参照してください。

2.数量欄の数字は、個数を表し、0.1、2.5等の数値は、長さ（単位メートル）を表します。

3.数量欄の（ ）は、組部品を構成している子部品であることを意味します。

4.イラストページの-----枠は、組構成であることを意味します。

NUMERICAL INDEX OF PARTS

PART NO	PAGE	REF NO.	PART NO	PAGE	REF NO.	PART NO	PAGE	REF NO.
10163103	62	23	B1110481000A	4	50	B1401486000	10	40
10163152	62	22	B1110481000A	6	41	B1403352BA0	36	6
11024106	56	14	B1111481000	4	51	B1403553000	10	43
11072204	42	2	B1112481000A	4	52	B1408552000	10	26
22814909	16	53	B1115380000	6	26	B1414232000	36	21
22901805	4	62	B1119481000	2	18	B1414555000	10	27
22904155	10	10	B11214700A0	2	1	B1418450000	10	44
22904155	22	57	B11214700AA	4	56	B1421486000	28	58
22904155	24	57	B1122470000	2	2	B1501487000	14	23
22906101	10	39	B1130481000A	2	6	B1501490000	14	30
22906457	10	41	B11304810A0	2	5	B15074810A0	14	28
22907406	14	26	B1131481000	2	7	B1509490000	14	21
22907604	14	22	B1132481000	2	8	B1510450000	14	31
22908909	14	15	B1134481000	2	37	B1512470000	28	47
22912000	2	42	B1135481000	2	38	B1513490000	14	24
22912000	20	50	B1151490000	2	14	B1514490000	14	27
22912109	2	43	B115149000A	4	57	B1515450000	14	12
22912109	20	49	B1152450000A	2	15	B1516450000	14	3
22925101	54	4	B1161481000A	6	37	B15184500A0A	14	18
22932453	56	11	B11614810B0	6	36	B1522552000	42	24
22934202	56	26	B1162481000	6	39	B15244860B0	28	57
22934251	56	20	B1166481000	6	40	B1524486BB0	64	1
22934301	56	21	B1168481000	6	42	B1524486DB0	64	2
22934400	56	25	B1187552000	6	38	B1524486MBA	64	3
22934509	56	23	B1201486000	10	1	B1524486SB0	64	4
22934608	56	24	B12024860B0	10	22	B16014870A0	22	43
22951552	8	52	B12024860C0	10	18	B1601555000	22	28
22958458	58	31	B1203486000	10	7	B1602481000A	22	4
22958557	58	32	B1203490000	10	9	B16034860A0	22	21
22958805	58	33	B1209481000	10	19	B1604486000	22	6
40013170	62	13	B1211980000	18	30	B1607352000	16	51
40111351	65	1	B12135520A0A	10	3	B1608481000	22	41
40120458	18	33	B1214038000	54	10	B1609804B00	26	15
40133993	24	51	B1226552000	10	5	B1610430000	22	36
40133994	22	26	B1230470B00	10	16	B16104300A0	38	37
B1103481F00	6	22	B1242980000	18	29	B1610486000	22	13
B1104487000	2	40	B1301487000	14	46	B1611470000	22	15
B1105380000	6	30	B1302487000	14	47	B1611470000	30	24
B1106380000	6	32	B1302552B00	14	44	B1612470000	22	18
B1106481000A	6	15	B13034870A0	14	43	B1613481F00	22	3
B11064810A0A	6	14	B13034870B0	14	41	B1616486000	22	19
B1107380000	6	28	B13034870C0	14	36	B1620470000	18	2
B1107481000	6	20	B13054700A0	14	38	B1620487000	22	45
B1108481000	6	16	B13064700A0	14	42	B1621490000A	18	47
B1109481000	6	18	B13064700B0	14	37	B1622555000	18	4

NUMERICAL INDEX OF PARTS

PART NO	PAGE	REF NO.	PART NO	PAGE	REF NO.	PART NO	PAGE	REF NO.
B1623487000	30	19	B1905380000	6	1	B2218481000	42	46
B16234900A0	18	8	B1905541B00	10	28	B2220481010	44	62
B16234900AA	20	61	B1908481000A	10	33	B2225481000	44	63
B1624490000	18	11	B1909481000	10	35	B2226481000	16	61
B162449000A	20	62	B1916481000	2	28	B23014810A0	38	31
B16254700A0	18	14	B1916481000	6	10	B2302481000	38	33
B1626470000	18	15	B2001481000A	38	22	B23034810A0	38	39
B1628555000	18	20	B2002481000	38	23	B23044810A0	38	41
B1630470000	30	22	B20044810A0	38	27	B23054810A0	38	46
B1631470000	30	15	B20053800A0	38	19	B2306019000	42	36
B1632470000	18	23	B20054810AB	38	29	B2306481000	38	43
B1634470000	18	7	B2007481000	38	21	B2307481000	38	44
B1639470000	18	39	B2008481000	38	14	B23084810A0	40	56
B16404700A0	18	36	B20104810A0	38	11	B23094810A0	40	50
B1641490000	18	28	B2012481000	38	9	B2310481000	40	53
B1644490000	18	27	B20144810A0	38	15	B2311481000A	40	49
B1646161000	18	21	B20154810A0	38	4	B2657771000	54	19
B1649161000	18	25	B2025481000	38	6	B2901470000	30	32
B1651490000	30	16	B2030481000	38	3	B2902490B00	30	28
B1652470000	30	18	B2032481000	38	8	B2903470000	30	14
B1654470000	30	21	B21014860A0	36	1	B2905470000	30	25
B1660481000	20	56	B210348100B	36	4	B2906412000	26	5
B1661481000	20	58	B2105481000	36	5	B2907470000	26	6
B1662481000	20	55	B21064810A0	36	9	B2909490000	30	8
B1701481000	24	53	B2108481000	36	18	B2910490000	30	4
B1702155000	22	59	B2109481000A	36	14	B29124900A0	30	5
B1702155000	24	59	B2110481000A	36	13	B2913470000	30	11
B17031550A0	24	54	B2111481000A	36	16	B2914470000	30	12
B1708470000A	22	12	B21124810A0	36	19	B2915490B00	30	7
B1711486000	22	11	B21154810A0	36	29	B2916470000	30	31
B17134810A0	22	9	B21174810A0	36	12	B2917470000	30	37
B1715481000	22	8	B21194810A0	36	33	B2918470000	30	9
B1715481000	36	25	B21204810A0	36	31	B29194900A0	18	40
B1801481000A	16	50	B2122481000	36	36	B2920490000	18	18
B1802481000	16	58	B2123481000	36	37	B29224900A0	18	31
B1803481000	16	56	B2124481000	36	27	B2924470000	30	3
B1803481000	38	25	B21254810A0	36	39	B29264900A0	18	13
B1813481000	16	60	B2201481000A	2	30	B2935470000	30	33
B1827232000	36	22	B2202481000	2	32	B29404900B0	20	51
B1901481000A	10	32	B2203481000	42	44	B2941490000	20	52
B19024810A0B	10	29	B2212481000	44	55	B2944490000	18	42
B1903481000	2	46	B2214481000	44	52	B3003450000A	30	1
B1903552000	12	48	B2215481000	44	57	B30054500A0	26	7
B1904481000	2	44	B2216481000	44	51	B3009486000	26	3
B190448100A	4	59	B2217481000	44	49	B3010450000A	26	17

NUMERICAL INDEX OF PARTS

PART NO	PAGE	REF NO.	PART NO	PAGE	REF NO.	PART NO	PAGE	REF NO.
B30114500A0A	26	18	B3129012A00	42	40	B8152771000	60	50
B3012490000	26	4	B3148123000	2	25	B8217481000	56	3
B3013490000	26	13	B3148123000	6	8	B8217481AC0	56	2
B30174500A0	26	11	B3404122000	54	7	B8217481AD0	56	1
B30184500A0	26	27	B3412415000	14	4	B8228125000	56	19
B3019450000A	26	26	B3413552000	58	4	B82304860A0	62	27
B3020450000	26	30	B3414415000A	14	11	B8231380000	62	21
B30214900A0	26	35	B3416415000A	14	32	B8235481000	56	4
B3022486000	26	32	B3416552000	14	6	B8237481000	56	5
B30234900A0	28	54	B3417552000	58	5	BT0500300EA	38	18
B30244900A0	26	33	B3420555000	56	10	BT0800602E0	48	65
B3025490000	26	44	B3421555000	56	18	CM300200001	4	60
B3026487000	26	45	B3425555000A	56	15	CM301200001	4	61
B3026487000	64	5	B3426552000	56	13	CM500300001	62	9
B3026487D00	64	6	B3426552000	58	6	CQ202000000	26	19
B3026487S00	64	8	B3431581000	14	2	CQ202000000	36	34
B3026490M00	64	7	B3501470000	54	35	CQ202000000	46	13
B3027490000	28	53	B3501487000	54	26	CQ252000000	26	28
B3028450000	26	43	B3502470000	54	36	CQ252000000	38	47
B3029486000	26	39	B3502487000	54	16	CQ252000000	40	47
B3030490000	26	1	B3503470000	54	38	CQ303000000	22	39
B3031490000	28	50	B3503487000	54	25	CQ303000000	38	38
B3032450000	28	48	B3504470000	54	37	CQ4000000F0	28	49
B3034490000	26	41	B3504487000	54	27	CS0791016SH	16	48
B3035486000	26	21	B3505470000	54	28	CS111101ESH	58	13
B3036486000	26	42	B3507470000	54	29	CS111121ASH	16	54
B3037470000	18	19	B3509470000	54	24	CS1470710SH	22	33
B3037470000	28	51	B3522470000	54	31	D1104481C00	6	25
B3101481000	42	38	B3526490000	54	1	D1104481CA0	6	24
B3102481000	42	37	B3527415000	54	17	D1118481C00	2	17
B31024810A0	42	33	B35284860A0	54	3	D1118481C0A	4	58
B3104481000	42	35	B3530555000	54	13	D1204490D00	10	17
B3106380000	42	8	B3534012000	2	21	D1204490DA0	10	13
B3106481000	42	3	B3534155000	54	11	D1208555D00	10	2
B3107704000	42	39	B3536122000	54	6	D1217486D00	10	6
B3115481000	42	25	B3536450000	54	2	D1217486D0A	10	12
B3116481000	42	26	B3552481000	54	33	D1230552B00	10	37
B3117481000	42	27	B3553481000	54	18	D1231555B00	10	15
B3119771000	42	41	B3554481000	54	22	D1232555B00	10	14
B3120125000	42	42	B41033520A0	24	49	D1517490D00	14	1
B3120481000	42	31	B412352200A	22	17	D1520490D0A	14	35
B3121481000	42	12	B412352200A	30	13	D1901481CC0	10	31
B3125372000	14	20	B7114012000	58	22	D1910481C00	10	34
B3126012000	42	34	B812528000E	60	48	D1912481C00A	6	3
B3126352000	42	5	B81517710A0	60	49	D1913481C00	2	24

NUMERICAL INDEX OF PARTS

PART NO	PAGE	REF NO.	PART NO	PAGE	REF NO.	PART NO	PAGE	REF NO.
D1913481C00	6	6	D2421481CA0	48	50	D3901486EAB	32	31
D1913481CA0	2	23	D2424481C00A	48	61	D3902481C00A	32	37
D1913481CA0	6	5	D2425481C00	48	62	D3903481C00	32	46
D1914481C00A	2	27	D2426481C00	48	57	D3903481C0A	32	34
D1914481C00A	6	7	D2428481CA0	48	59	D3904481E00	32	29
D1917481C00	2	26	D2429481C00	48	53	D3905481C00	32	25
D1917481C00	6	9	D2430481C00	48	54	D3906481C00	32	22
D2013481C00	38	1	D2460481DAB	46	35	D3907481CA0	32	26
D2101490D00A	50	1	D2461481C00	46	41	D3908481C00	32	20
D2101490D0A	50	3	D2461486E00	48	64	D3909481C00	32	24
D2107555B00	50	28	D2462481C00	48	48	D3910481C00	32	18
D2109486E00	52	51	D2465481C00	46	38	D3911481C00	32	8
D2111555B00B	50	23	D2466481C00	46	36	D3911481CA0	32	1
D2111555B0A	50	5	D2467555B00	4	54	D3912481CA0	32	6
D2112490D00	50	21	D2467555B00	6	35	D3913481D00	32	5
D2114555B00	18	22	D2480484D00	6	34	D3914481C00	32	7
D2114555B00	50	35	D3001486E00	50	33	D3915481C00	32	13
D2118555B00A	32	35	D3003486E00	52	48	D3916481C00	6	12
D2118555B00A	50	11	D3005481C00	52	50	D3916481C00	32	14
D2119555C00	50	8	D3006481C00	50	13	D3917481D00	32	4
D2120555C00	44	71	D3006486EA0	52	49	D3918481D00	32	2
D2121555D00	50	36	D3007486E00	50	30	D3919481D00	32	9
D2126481CA0	36	42	D3008481DAB	50	7	D3921481D00	46	31
D2210481DA0	42	43	D3009486E00	50	25	D3928481DA0	44	68
D2211481D00	44	56	D3010486E00	50	39	D3929481DA0	44	69
D2213481C00	44	54	D3010486EA0	50	38	D3931481D00	44	64
D2227481D00	44	59	D3011481D00	50	43	D7117555BA0	58	20
D2401481CD0	46	4	D3012481D00	50	41	D7133555B00	58	26
D2403481C00	46	5	D3013481D00	50	40	D8110555B0E	58	46
D2404481D0A	46	10	D3103481DA0	42	1	D8111555B0E	60	47
D2405481C00A	46	3	D3105481D00	44	70	D8112555B0E	58	39
D2406481D00	46	8	D3110481C00	42	23	D8113555B00	58	45
D2407481D00	46	7	D3111481CA0	2	19	D8114555B0E	58	43
D2407481DBA	46	1	D3130481CA0	42	20	D8227555E00	56	6
D2408481C00A	46	12	D3133481C00	54	9	D8230490E00	62	26
D2409481D00	46	9	D3134481C00	42	22	D8231555E00	62	19
D2410481C00A	46	16	D3135481C00A	42	16	D8231555E0A	62	11
D2411481CA0	46	18	D3135481CB0	42	15	D8231555E0D	62	12
D2412481C00	46	21	D3136481CA0	42	17	D8232490E00	62	17
D2413481C00	46	20	D3415481C00	14	34	D8232490E0A	62	18
D2414481CA0	46	23	D3440481C00	16	62	D8232555B00	62	15
D2415481C00	46	32	D3901481D0B	50	10	D9101481CA0	6	46
D2415481D00	46	27	D3901486DAB	32	32	G5066110000	46	42
D2415481DA0A	46	26	D3901486DAC	32	33	GPF010010A0	58	17
D2416481C00	46	29	D3901486E0B	32	44	GPF01009000	58	3

NUMERICAL INDEX OF PARTS

PART NO	PAGE	REF NO.	PART NO	PAGE	REF NO.	PART NO	PAGE	REF NO.
GPF01011000	58	28	NS6110420SP	18	26	SD0600452TP	48	55
GPF01012000	58	12	NS6110420SP	54	23	SD0630275SP	14	13
GPF01013000A	58	2	NS6120310SP	22	22	SD0630301SP	14	10
GPF010140A0	58	9	NS6120310SP	26	10	SD0640211SP	44	67
GPF01015000	58	25	NS6120310SP	30	30	SD0640231SP	6	43
GPF010150B0	58	19	NS6120310SP	36	35	SD0640241SP	58	8
GPF01016000	60	52	NS6120310SP	48	51	SD0640391TP	30	36
GPF01017000	60	51	NS6150310SP	26	20	SD0641004SP	26	37
GPF01018000A	58	15	NS6150430SP	20	59	SD0720551SP	26	14
GPF030000A0	58	1	NS6620310SP	14	33	SD0790601SP	20	54
GPF03001000	58	18	NS6660430SP	18	17	SD0791501SP	48	56
GPF03010000	58	16	NS6680410SP	22	56	SD0800422CP	30	35
HK034610140	46	34	NS6680410SP	24	56	SD1020701SP	22	44
HK03464000B	46	44	PS0150065KP	18	12	SK3311600SB	58	27
HW000600020	50	19	PS0200102KH	42	7	SK3482500SC	62	25
HW200110000	32	41	PS0250162KH	10	21	SK3514000SD	58	29
HW2F18S1219	50	9	RC0150001KP	22	35	SL4030621SS	50	2
HX00150000A	50	17	RC0410415KP	26	52	SL4040881SF	50	4
HX00150000B	32	42	RC0410415KP	28	52	SL4041081SC	50	18
MAT80115T00	32	38	RE0200000K0	32	30	SM4040601SB	32	47
MAT80115T00	50	14	RE0250000K0	46	6	SM6062002TP	36	15
MC275000800	10	46	RE0250000K0	50	27	SM6062002TP	38	2
MTJVM004100	62	1	RE0400000K0	44	66	SM8063012TR	56	17
MTJVM004200	62	2	RE0400000K0	46	40	SM9061203SE	56	22
MTJVM00420A	62	28	RE0500000K0	14	5	SM9061203SE	60	53
MTSP00900A0	62	3	RE0600000K0	14	9	SM9061853SR	56	16
MTSP01050A0	62	4	RE0600000K0	32	28	SM9081423SE	58	23
MTSP01200A0	62	5	RE0600000K0	42	30	SM9081620SE	58	34
MTSP01200B0	62	7	RE0901110K0	32	36	SM9082023SE	58	40
MTV700B1100	10	45	RE0901110K0	50	12	SQ1110402MZ	54	12
NM6040003SC	32	39	RO029180100	10	4	SS1080510SP	22	7
NM6040003SC	50	16	RO029180100	26	46	SS1080510SP	36	26
NM6050001SP	46	30	RO037180100	14	16	SS1090920SP	22	16
NM6060001SE	56	9	RO037180100	42	19	SS1090920SP	30	23
NM6060001SE	58	21	RO044240100	10	24	SS1110640TP	22	46
NM6060003SE	58	36	RO068190100	56	8	SS1110710SP	2	31
NM6080001SE	58	35	RO069180100	20	48	SS1110710SP	20	53
NM6080721SE	58	44	RO074240100	18	6	SS1110710SP	30	29
NM6550815SF	62	6	RO080150200	26	29	SS1110840SP	54	32
NS6060310SP	2	29	RO195240100	54	14	SS2080810SP	36	3
NS6060310SP	6	11	SD0360601SP	46	11	SS2110915SP	6	23
NS6090310SP	32	12	SD0450211SP	32	21	SS4080415SP	6	33
NS6110310SP	26	34	SD0450701TP	36	10	SS4080415SP	32	10
NS6110310SP	42	53	SD0500402SP	26	31	SS4080610SP	44	60
NS6110310SP	44	53	SD0550271TP	50	29	SS4110515SP	2	47

NUMERICAL INDEX OF PARTS

PART NO	PAGE	REF NO.	PART NO	PAGE	REF NO.	PART NO	PAGE	REF NO.
SS4110515SP	6	45	SS6121220TP	26	38	SS7111120SP	46	46
SS4110515SP	32	19	SS6121220TP	36	40	SS7111310TP	38	42
SS4110515SP	44	61	SS6121220TP	38	57	SS7111410SP	18	24
SS4110615SP	8	50	SS6121220TP	40	57	SS7111410SP	26	16
SS4110715SP	42	72	SS6121610TP	22	55	SS7111410TP	22	1
SS4110715SP	44	72	SS6121610TP	24	55	SS7111410TP	30	6
SS4110715SP	54	21	SS6121840SP	22	24	SS7112420SP	50	34
SS4110815SP	2	22	SS6123010SP	54	34	SS7120910SP	14	14
SS4110815SP	18	44	SS6151040SP	46	39	SS7121410TP	28	55
SS4110815SP	62	16	SS6151412TP	48	58	SS7150740SP	6	47
SS4111015SP	2	3	SS6151920SP	46	22	SS7150740SP	62	20
SS4111015SP	10	38	SS6621220SP	24	50	SS7151120SP	10	8
SS4111415SP	42	29	SS6660610TP	38	30	SS7151210SP	46	33
SS4112515SP	42	28	SS6661110SP	22	14	SS7620750SP	18	63
SS5060310SP	46	15	SS6661110SP	58	14	SS7620750SP	20	63
SS5090710SP	14	19	SS7081310SP	44	58	SS7681650TP	10	23
SS5110810SP	48	52	SS7090410SP	32	23	SS7701010SP	56	7
SS6060210SP	6	27	SS7090510SP	50	37	SS8080310TP	32	3
SS6060340SP	6	29	SS7090520TP	36	41	SS8080410TP	12	47
SS6080320SP	2	53	SS7090520TP	38	54	SS8090410TP	50	31
SS6080320SP	4	53	SS7090520TP	40	54	SS8090540SP	20	57
SS6080320SP	42	50	SS7090620TP	30	10	SS8110410TP	16	49
SS6080320SP	44	50	SS7090910SP	26	22	SS8110410TP	18	1
SS6080320SP	50	42	SS7090910TP	38	52	SS8110410TP	22	10
SS6080410SP	42	47	SS7090910TP	40	52	SS8110410TP	36	8
SS6080410SP	50	45	SS7110340SP	50	24	SS8110410TP	38	34
SS6081210SP	54	39	SS7110510SP	2	55	SS8150510TP	10	20
SS6090420SP	46	2	SS7110510SP	4	55	SS8150510TP	30	26
SS6090510SP	46	14	SS7110510SP	50	22	SS8150710SP	18	38
SS6090610SP	2	16	SS7110570SP	26	9	SS8150710SP	26	24
SS6090630SP	2	20	SS7110710SP	18	5	SS8150710SP	36	38
SS6090670TP	10	42	SS7110710TP	48	63	SS8150710SP	38	45
SS6090810SP	22	25	SS7110740TP	30	20	SS8150710TP	22	31
SS6090810TP	50	32	SS7110740TP	46	47	SS8150710TP	36	2
SS6091210TP	10	30	SS7110840SP	46	17	SS8151150SP	14	59
SS6092120SP	38	16	SS7110840SP	50	26	SS8151150SP	16	59
SS6110420TP	42	32	SS7110840SP	62	14	SS8151150SP	24	52
SS6110610TP	28	56	SS7110910SP	18	35	SS8151150SP	30	2
SS6110630TP	30	34	SS7110910SP	46	43	SS8151150TP	48	60
SS6110710TP	42	21	SS7111110TP	14	29	SS8660610TP	10	11
SS6111010SP	30	17	SS7111110TP	22	47	SS8660610TP	22	58
SS6111010SP	50	6	SS7111110TP	32	27	SS8660610TP	24	58
SS6120930SP	18	9	SS7111110TP	36	20	SS8660610TP	30	27
SS6121210SP	18	37	SS7111110TP	38	40	SS8660810TP	14	55
SS6121220TP	18	41	SS7111110TP	46	24	SS8660810TP	16	55

NUMERICAL INDEX OF PARTS

PART NO	PAGE	REF NO.	PART NO	PAGE	REF NO.
SS8660810TP	38	28	WP1102016SC	58	30
SS8681650TP	10	25	WS0411002KS	32	40
SS9080410SP	50	46	WS0411002KS	50	15
SS9151120CP	2	41	WS0441040KP	34	48
SS9151160CP	58	11	WS0441040KP	54	30
SS9151540SR	58	10	WS0510002KN	50	20
SS9660910SP	18	10	WS0621210KR	58	37
SS9661120CP	58	7	WS0861410KR	58	41
TA0290301MO	40	48	WS1002560KR	62	8
TA0500601M0	36	43	WT0530002KS	8	51
TA0750704R0	2	12	WT0640002KN	8	49
TA1050504R0	2	13	WZ0641510KP	6	44
TA1050504R0	38	17			
TA1250406R0	2	11			
TA1250705R0	2	33			
TA1701002R0	2	36			
TA1750502R0	18	45			
TA2100904R0	4	49			
TA2101002R0	2	34			
TA2351305R0	2	35			
WP0371016SD	50	47			
WP0371026SD	26	23			
WP0371026SD	32	11			
WP0371026SD	40	55			
WP0371026SD	44	48			
WP0371026SD	50	44			
WP0480856SP	4	48			
WP0480856SP	18	43			
WP0480856SP	22	23			
WP0480856SP	46	45			
WP0501016SC	62	24			
WP0501016SD	26	2			
WP0501016SD	36	24			
WP0501016SD	48	49			
WP0621016SD	20	60			
WP0621016SD	62	10			
WP0621026SP	8	48			
WP0621026SP	14	25			
WP0651056SH	18	16			
WP0671016SE	58	38			
WP0740516SP	14	17			
WP0740516SP	42	14			
WP0753016SZ	14	8			
WP0851216SC	42	9			
WP0871602SE	58	42			