

MODEL : LK-1850 SERIES

List No : 0200-20

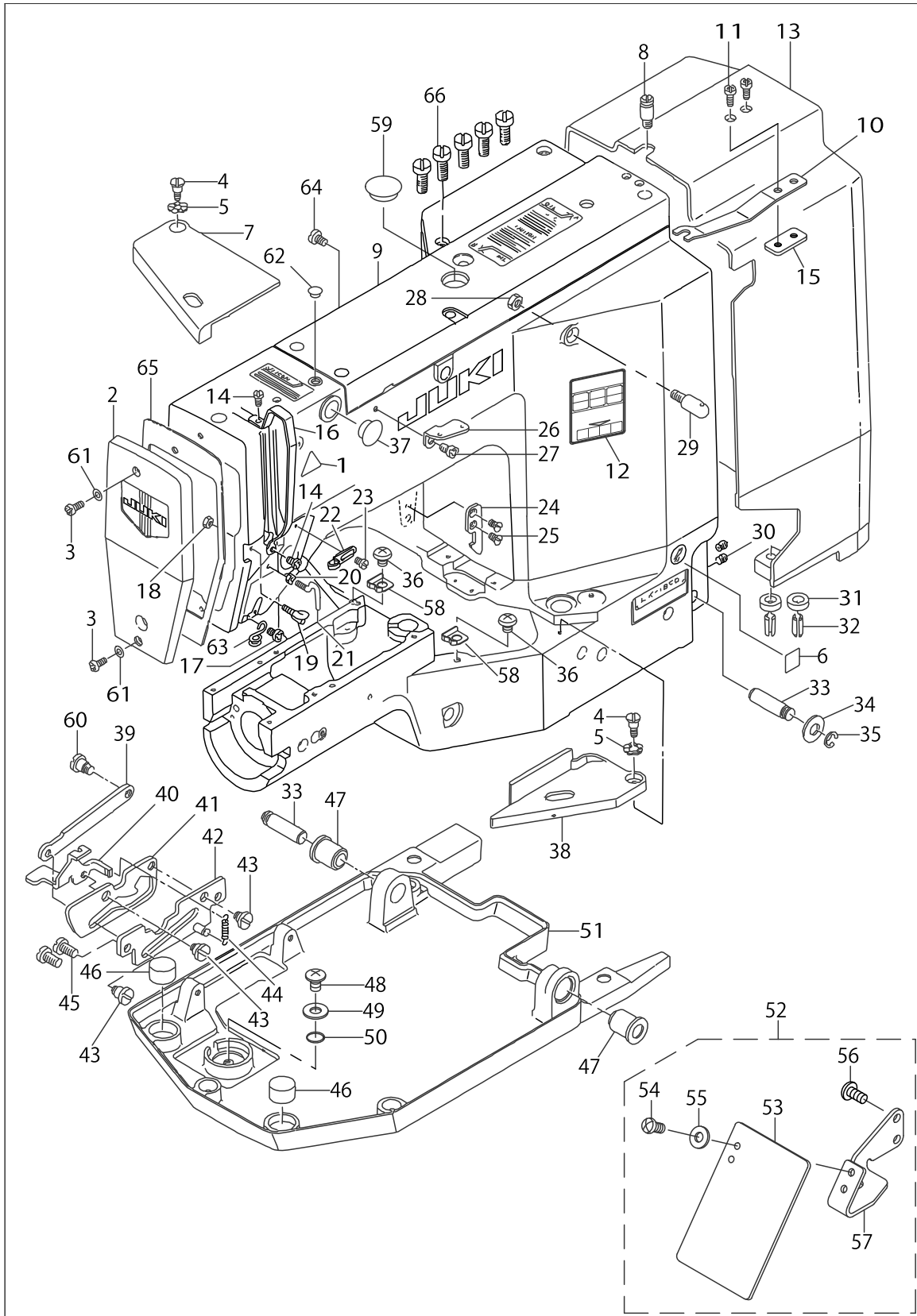
PARTS LIST

Published:09/10/2017

CONTENTS

FRAME & MISCELLANEOUS COVER COMPONENTS	1
MAIN SHAFT COMPONENTS	5
NEEDLE BAR COMPONENTS	9
THREAD TENSION RELEASE COMPONENTS.....	13
SHUTTLE DRIVER SHAFT COMPONENTS.....	17
FEED MECHANISM COMPONENTS.....	21
THREAD TRIMMING COMPONENTS.....	25
PEDAL PRESSURE DECREASING UNIT COMPONENTS	27
STOP-MOTION MECHANISM COMPONENTS	31
LUBRICATION MECHANISM COMPONENTS.....	35
TABLE COMPONENTS	37
LK-1850 SERIES SUBCLASS	41
LK-1850 SERIES SUBCLASS	45
LK-1850 SERIES SUBCLASS	47
LK-1850 SERIES SUBCLASS	49
LK-1850 SERIES SUBCLASS	53
LK-1850 SERIES SUBCLASS	55
LK-1850 SERIES SUBCLASS	57
LK-1850 SERIES SUBCLASS	59
LK-1850 SERIES SUBCLASS	61
LK-1850 SERIES SUBCLASS	63
LK-1850 SERIES SUBCLASS	65
LK-1850 SERIES SUBCLASS	67
LK-1850 SERIES SUBCLASS	69
LK-1850 SERIES SUBCLASS	71
THREAD STAND COMPONENTS.....	73
LIST FOR INFORMATION OF CHANGE.....	75
HOW TO MAKE USE OF THIS PARTS LIST	76

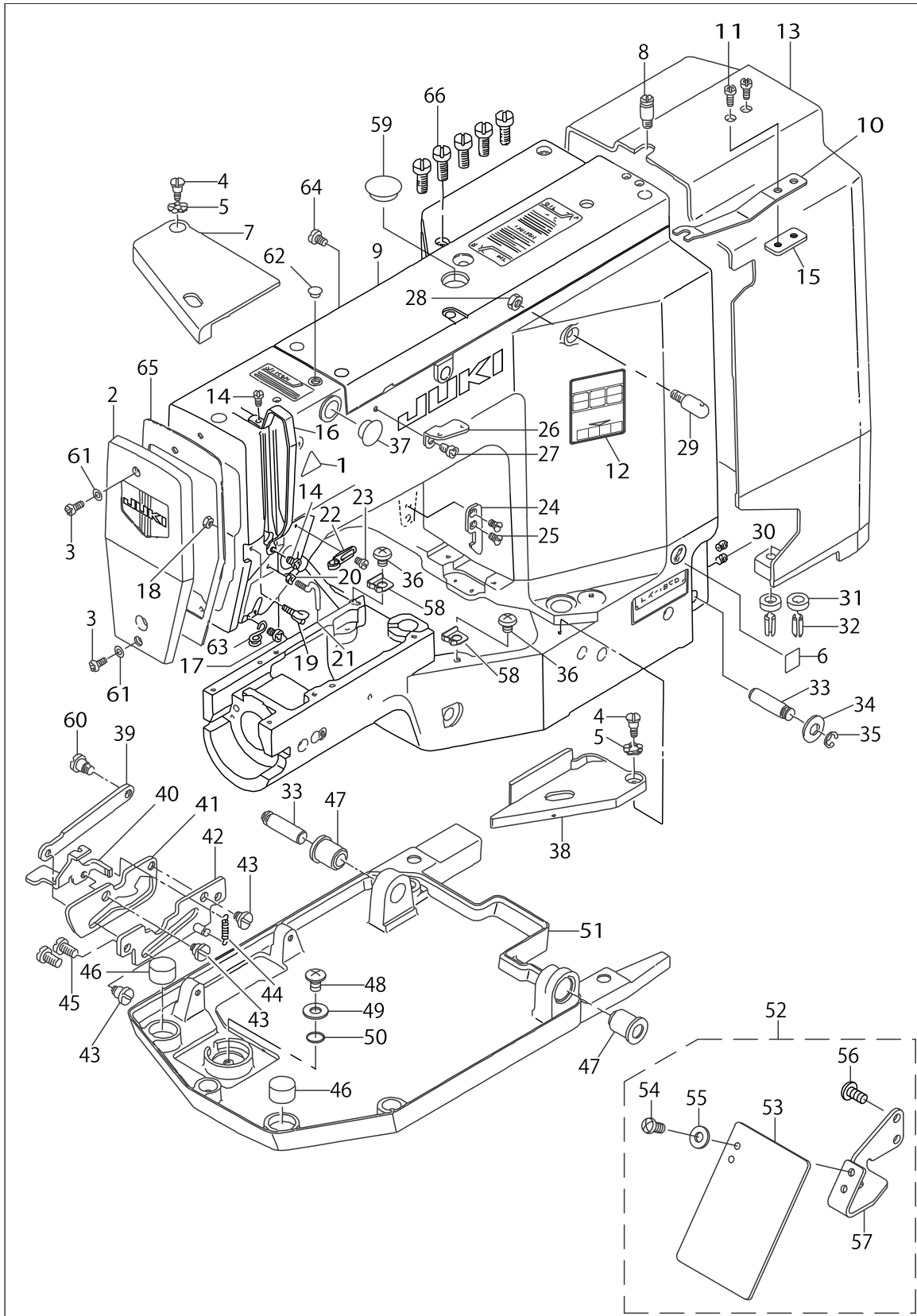
FRAME & MISCELLANEOUS COVER COMPONENTS



FRAME & MISCELLANEOUS COVER COMPONENTS

No.	Parts No.	Parts name	Remarks	Level	Cons	Qty
1	CM300200001	ATTENTION SEAL				1
2	26211755	FACE COVER ASM.				1
3	SS4111015SP	SCREW 11/64-40 L=10				2
4	SD0640471SP	HINGE SCREW D= 6.35 H= 4.7				2
5	WZ0641510KP	WAVED WASHER 6.4X11X0.3				2
6	CM600100101	WEEE MARK LABEL S	FOR JE			1
7	26211300	BED COVER B				1
8	26212308	SCREW				1
9	13816509	TOP COVER				1
10	40023026	BELT COVER FIXING PLATE				1
11	SS4110915SP	SCREW 11/64-40 L=9				2
12	CM301200001	SAFETY LABEL_S				1
13	13505805	BELT COVER				1
14	SS4090715SP	SCREW 9/64-40 L=7				2
15	40023027	BELT COVER PLATE				1
16	26211607	BALANCE COVER				1
17	SS7110840SP	SCREW 11/64-40 L=7.8				1
18	NS6090310SP	NUT 9/64-40				1
19	B3114771000	THREAD GUIDE				1
20	NS6090310SP	NUT 9/64-40				1
21	26212209	L-SHAPED THREAD GUIDE				1
22	13706601	TAKE-UP THREAD GUIDE, A				1
23	SS3090610SP	SCREW 9/64-40 L=6				1
24	26211805	BED FITTING HOOK				1
25	SS1110821TP	SCREW 11/64-40 L=8.3				2
26	26211904	THREAD GUIDE PLATE				1
27	SS4150715SP	SCREW 15/64-28 L=7				1
28	NS6150540SP	NUT 15/64-28				1
29	26212001	FIRST THREAD GUIDE				1
30	SS8150822TP	SCREW 15/64-28 L=8				2
31	26210708	RUBBER WASHER				2
32	PS0800202KH	SPRING PIN 8X20				2
33	26217703	BASE CONNECTING PIN				2
34	WP1052000SC	WASHER 10.5X18X2				1
35	RE0600000K0	E-RING 6				1
36	SS4150715SP	SCREW 15/64-28 L=7				2
37	TA1470704R0	RUBBER PLUG				1
38	26211201	BED COVER A				1
39	26210203	STAY				1
40	26210500	BED ROCKER				1
41	26210302	STAY ROCKER				1
42	26210450	STAY GUIDE COMPL.				1
43	SD0800341SP	HINGE SCREW D=8 H=3.4				3
44	B2008372000	THREAD TENSION SPRING				1
45	SS7151210SP	SCREW 15/64-28 L=12				2
46	26210104	VIBRATION PROOF RUBBER				2
47	26210005	RUBBER BUSH				2

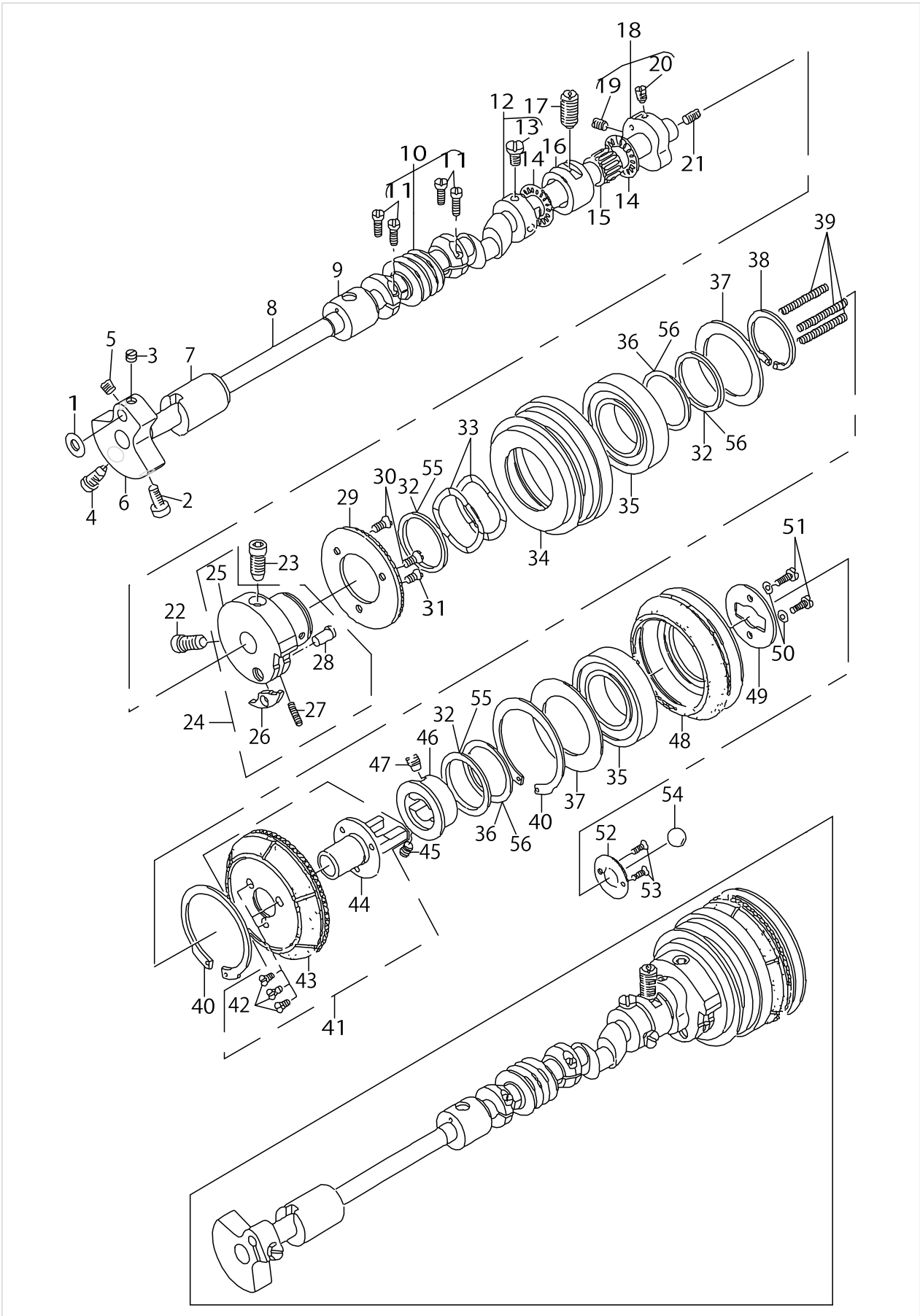
FRAME & MISCELLANEOUS COVER COMPONENTS



FRAME & MISCELLANEOUS COVER COMPONENTS

No.	Parts No.	Parts name	Remarks	Level	Cons	Qty
48	SM0040601SA	SCREW M4 L=6				1
49	WP0450801SD	WASHER 4.5X10X0.8				1
50	RO044240100	RUBBER RING				1
51	13500319	BED FITTING BASE				1
52	40052806	SAFETY PLATE ASM.				1
53	26037200	SAFETY PLATE		*		1
54	SM4040655SP	SCREW M4 L=6		*		2
55	WP0450801SD	WASHER 4.5X10X0.8		*		2
56	SS4110715SP	SCREW 11/64-40 L=7		*		2
57	40051987	SAFETY PLATE INSTALLING BASE		*		1
58	26211409	SPRING				2
59	TA2050406R0	RUBBER PLUG				1
60	SD0800681SP	HINGE SCREW D=8 H=6.8				2
61	WP0480856SP	WASHER 4.8X8.4X0.8				2
62	TA0750704R0	RUBBER PLUG				1
63	26212100	ARM THREAD GUIDE B				1
64	SS7110710SP	SCREW 11/64-40 L=7				1
65	13502307	FACE PACKING				1
66	SS6151220SP	SCREW 15/64-28 L=11.5				5

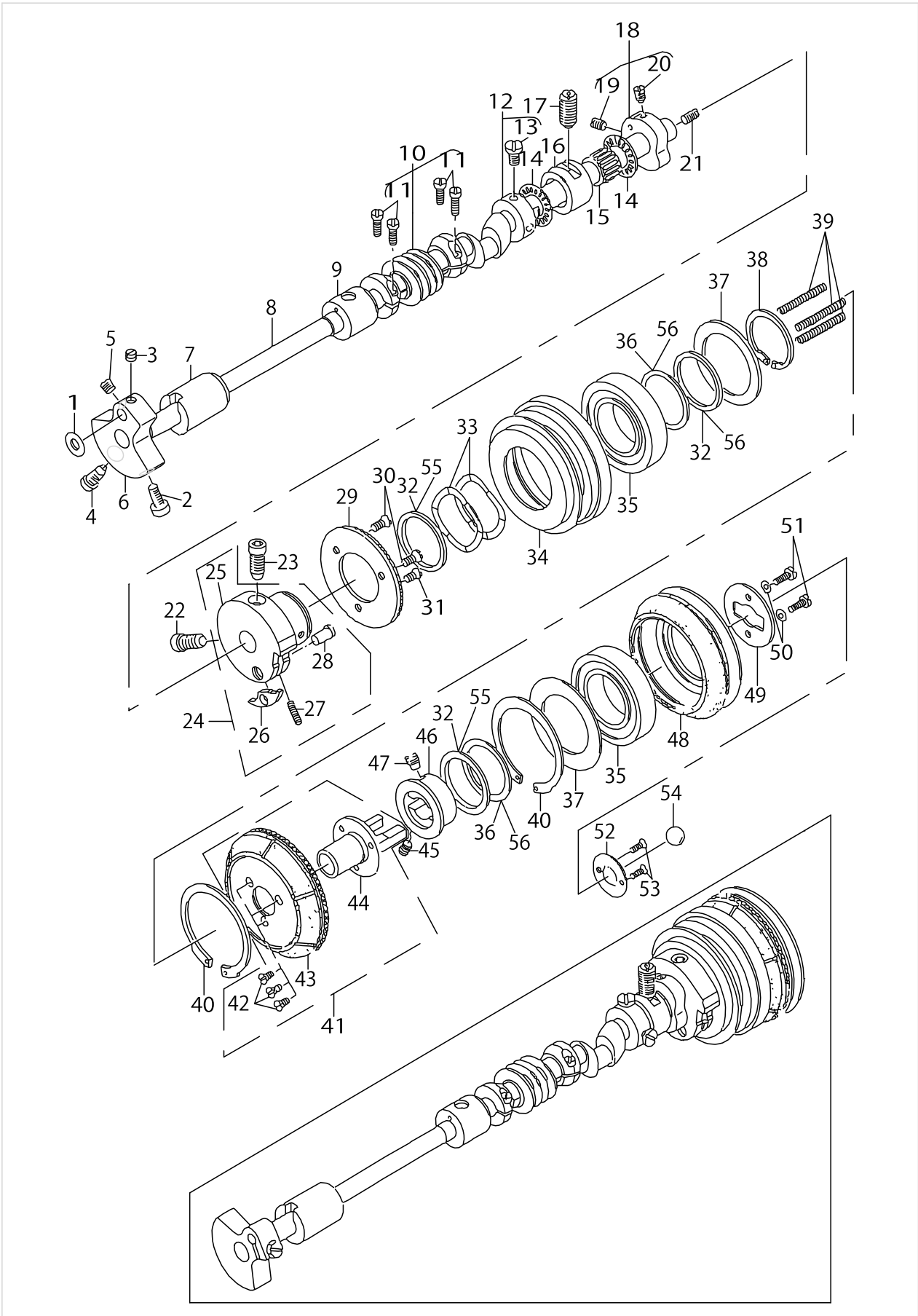
MAIN SHAFT COMPONENTS



MAIN SHAFT COMPONENTS

No.	Parts No.	Parts name	Remarks	Level	Cons	Qty
1	B1223771000	NEEDLE ROD CRANK WASHER				1
2	SS6151412TP	SCREW 15/64-28 L=14				1
3	SS8660530TP	SCREW 1/4-40 L= 4.5				1
4	SS6681712TP	SCREW 9/32-28 L=16.5				1
5	SS8660610TP	SCREW 1/4-40 L=6				1
6	B1202280000	COUNTER WEIGHT				1
7	26212704	UPPER SHAFT FRONT METAL				1
8	26212605	MAIN SHAFT				1
9	26212803	UPPER SHAFT INNER METAL				1
10	13510367	WORM ASM.				1
11	SS7111410TP	SCREW 11/64-40 L=14		*		4
12	CS150111BTH	THRUST COLLAR ASM. D=15 W=10.8				1
13	SS6661110SP	SCREW 1/4-40 L=11		*		1
14	B1211980000	UPPER SHAFT THRUST BEARING				2
15	B120898000B	MAIN SHAFT NEEDLE BEARING B	SELECTIVE PARTS			1
16	26214403	UPPER SHAFT REAR METAL				1
17	B1210980000	SET SCREW				1
18	13503453	THREAD CUTTING CAM ASM.				1
19	SS8661012TP	SCREW		*		1
20	SS8661212TP	SCREW		*		1
21	SS8151230SP	SCREW 15/64-28 L=12				1
22	SS6741512TP	SCREW 3/8-28 L=14.5				1
23	SS6742012TP	SCREW 3/8-28 L=19.5				1
24	13503552	STOP-MOTION CAM ASM.				1
25	13503503	STOP-MOTION CAM		*		1
26	B1215980000	STOP MOTION CAM LATCH		*		1
27	B1217280000	SAFETY PLATE STOPPER SPRING		*		1
28	13503602	PIN		*		1
29	13503750	HIGH SPEED CLUTCH PLATE ASM.				1
30	SS2110920TP	SCREW 11/64-40 L=8.5				2
31	SS1110640TP	SCREW 11/64-40 L= 5.5				1
32	26213306	SPACER	SELECTIVE PARTS			3
33	13503909	SPRING				2
34	13504204	HIGH SPEED PULLEY				1
35	SB135000200	BEARING D=35X62				2
36	13504907	SHIM	UP TO 6 PCS OF THIS PLATE ARE USED AS REQUIRED.			6
37	13504303	WASHER				2
38	RC3221517KP	RETAINING RING 32.2				1
39	13504105	SLOW SPEED PULLEY SPRING				3
40	RC6622018KP	RETAINING RING 66.2				2
41	13504451	PULLEY ASM.				1
42	SS1110640TP	SCREW 11/64-40 L= 5.5		*		3
43	13504402	PULLEY		*		1
44	13504501	PULLEY SHAFT		*		1
45	SS8660612TP	SCREW 1/4-40 L=6				1
46	13504600	SLOW SPEED PULLEY SHAFT				1

MAIN SHAFT COMPONENTS

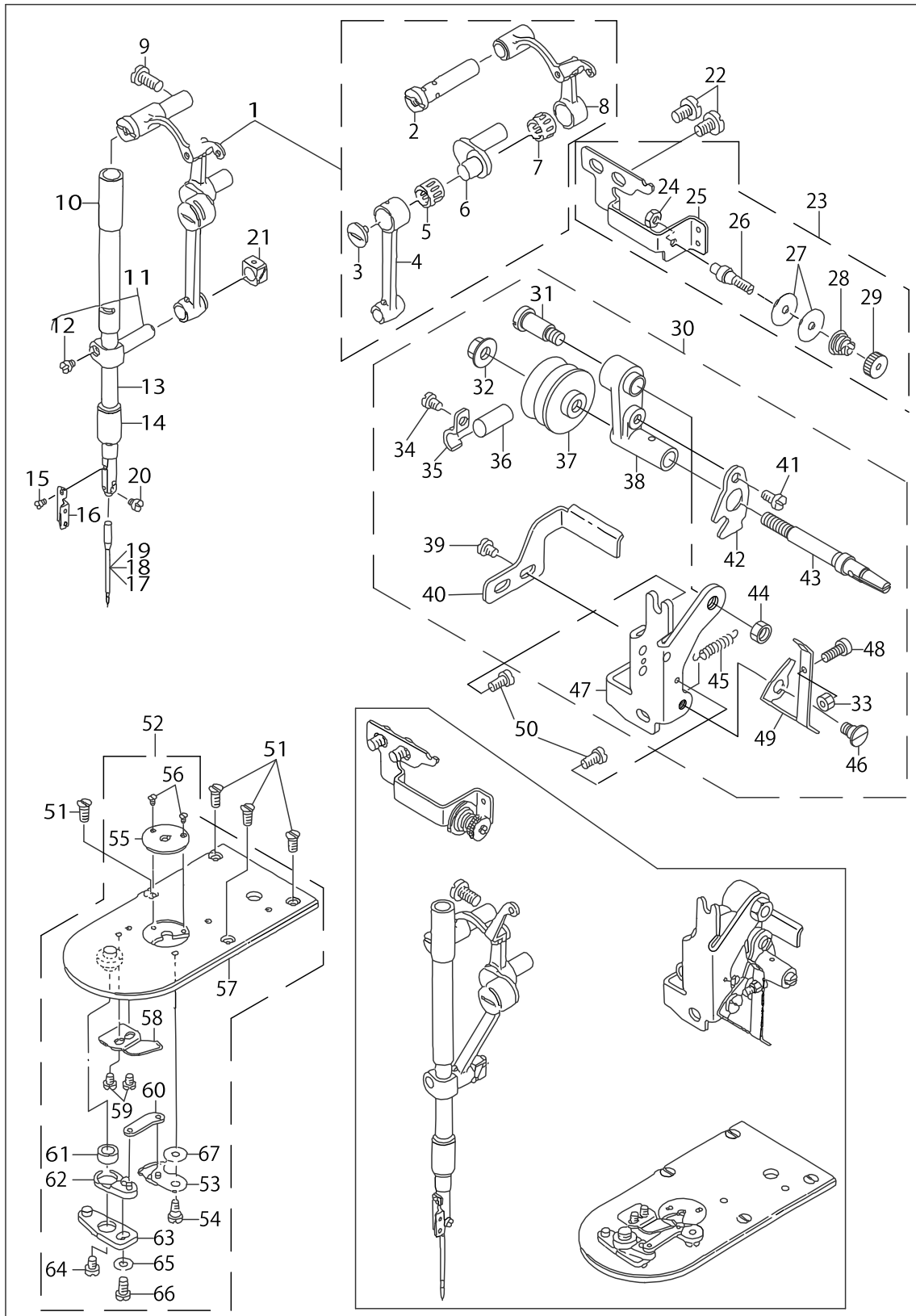


MAIN SHAFT COMPONENTS

No.	Parts No.	Parts name	Remarks	Level	Cons	Qty
47	SS8661112TP	SCREW 1/4-40 L=11				1
48	13504709	SLOW SPEED PULLEY				1
49	26213801	SLOW SPEED PULLEY PLATE				1
50	WS0451040KP	SPRING WASHER 4.5X8.5X1				2
51	SS7111120TP	SCREW				2
52	26213900	BALL RETAINER				1
53	SS2090710TP	SCREW 9/64-40 L=7.2				2
54	B1253980000	STOP-MOTION BALL				1
55	26214007	PULLEY SPACER	SELECTIVE PARTS			3
56	13505102	REGULATOR SHIM	UP TO 6 PCS OF THIS PLATE ARE USED AS REQUIRED.			6

NEEDLE BAR COMPONENTS

0200-16 03

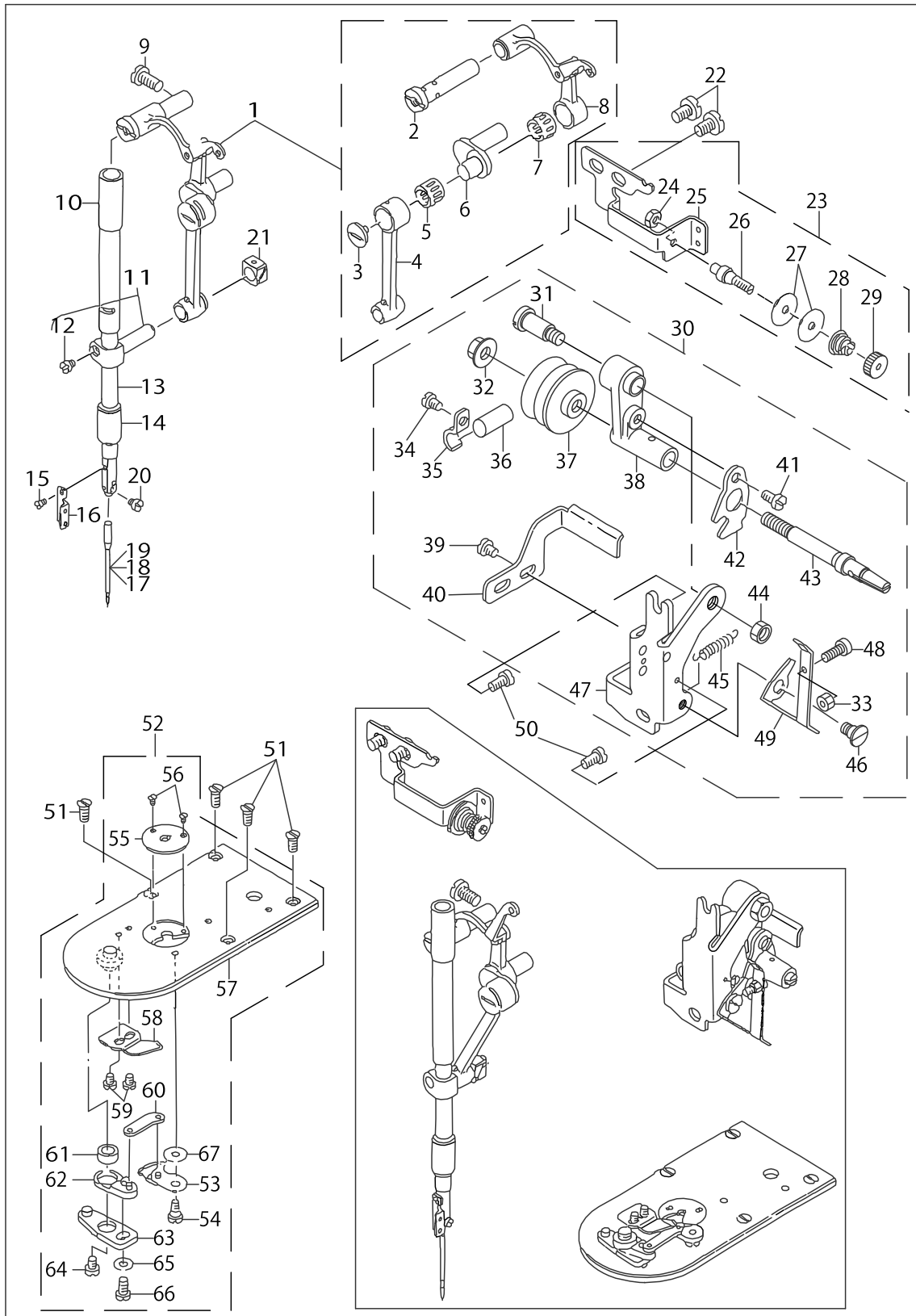


NEEDLE BAR COMPONENTS

No.	Parts No.	Parts name	Remarks	Level	Cons	Qty
1	B19012800B0	LINK BALANCE ASM.				1
2	B1904280000	BALANCE CRANK PIN		*		1
3	B1903552000	LEFT SCREW		*		1
4	B1404280000	NEEDLE BAR CRANK ROD		*		1
5	B1411804C00	NEEDLE DRIVING LEVER BEARING C		*		1
6	B1203280000	NEEDLE ROD CRANK		*		1
7	B1905541B00	NEEDLE BEARING		*		1
8	B19012800A0	BALANCE ASM.		*		1
9	SS7151120SP	SCREW 15/64-28 L=11				1
10	26203208	NEEDLE ROD METAL				1
11	B14115520A0	NEEDLE BAR CONNECTING ASM.				1
12	SS6090670TP	SCREW 9/64-40 L=6		*		1
13	26200006	NEEDLE BAR				1
14	B1403280000	NEEDLE ROD LOWER METAL				1
15	SS2060510SP	SCREW 3/32-56 L=4.5				1
16	26215301	NEEDLE BAR THREAD GUIDE				1
17	MDP500B1400	NEEDLE DPX5 #14	FOR USE IN JAPAN			1
18	MDP500B1600	NEEDLE DPX5 #16	EXPORT (EXCEPT JE)			1
19	MC200501000	NEEDLE #100	SPECIAL ORDER PARTS			1
20	SS6080340SP	SCREW 1/8-44 L=2.9				1
21	B1414232000	SQUARE BLOCK				1
22	SS4150915SP	SCREW 15/64-28 L=9				2
23	26203455	THREAD GUIDE BRACKET COMPL.				1
24	NS6110310SP	NUT 11/64-40		*		1
25	26203406	THREAD GUIDE BRACKET		*		1
26	26216705	BOBBIN WINDER TENSION POST		*		1
27	B3214047000	BOBBIN WINDER TENSION DISC		*		2
28	26216606	BOBBIN WINDER TENSION SPRING		*		1
29	26216507	BOBBIN WINDER TENSION NUT		*		1
30	26201152	BOBBIN WINDER ASM.				1
31	SD0791331SP	HINGE SCREW D= 7.94 H=13.3		*		1
32	26202705	NUT		*		1
33	26202408	NUT		*		1
34	26202309	SCREW		*		1
35	26202101	BRAKE PRESSER PLATE		*		1
36	26202002	BOBBIN WINDER BRAKE		*		1
37	26201400	BOBBIN WINDER WHEEL		*		1
38	26201103	BOBBIN WINDER SHAFT HOLDER		*		1
39	26202309	SCREW		*		1
40	26201608	BOBBIN WINDER BELT SUPPORT		*		1
41	26202200	SCREW		*		1
42	26201202	BOBBIN WINDER TRIP LATCH		*		1
43	26201707	BOBBIN WINDER SHAFT		*		1
44	26202507	NUT		*		1
45	26201806	SPRING		*		1
46	SD0720193SP	HINGE SCREW D= 7.24 H= 1.9		*		1
47	26201301	BOBBIN WINDER FITTING PLATE		*		1

NEEDLE BAR COMPONENTS

0200-16 03

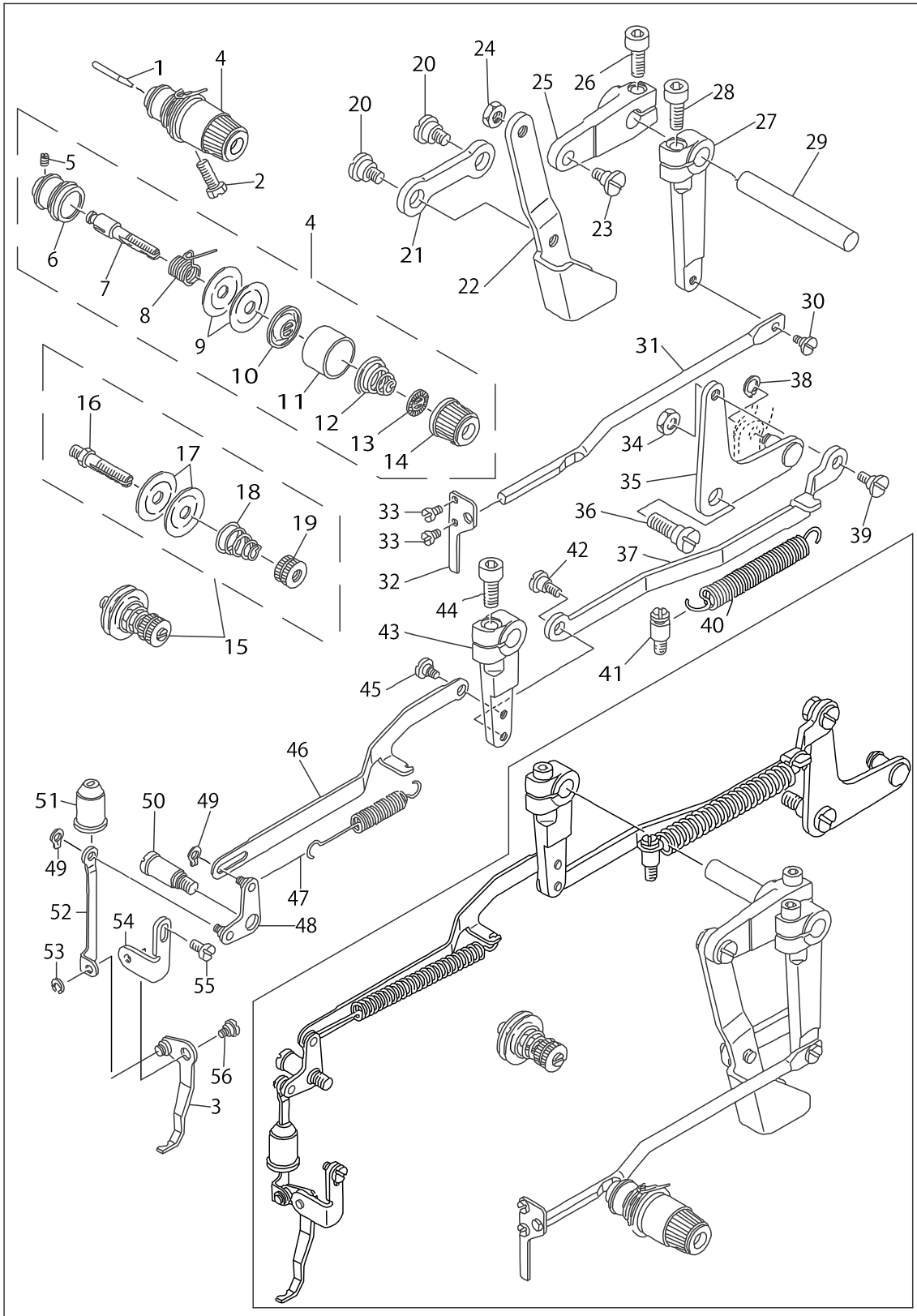


NEEDLE BAR COMPONENTS

No.	Parts No.	Parts name	Remarks	Level	Cons	Qty
48	26201905	BOBBIN PRESSER BOSS		*		1
49	26201509	BOBBIN PRESSER		*		1
50	SS4110915SP	SCREW 11/64-40 L=9				2
51	SS1110640TP	SCREW 11/64-40 L= 5.5				4
52	13515556	NEEDLE PLATE ASM.				1
53	B24212800A0	MOVING KNIFE ASM.		*		1
54	SD0500091TP	HINGE SCREW D= 5.0 H= 0.9		*		1
55	B2426280000	NEEDLE HOLE GUIDE		*		1
56	SS1060210TP	SCREW 3/32-56 L=2.2		*		2
57	13515564	NEEDLE PLATE ASM.		*		1
58	B2424280000	FIXING KNIFE		*		1
59	SS7090410SP	SCREW 9/64-40 L= 3.5		*		2
60	B2418280000	MOVING KNIFE LINK		*		1
61	B2416280000	THREAD CUTTING LEVER RING		*		1
62	B24152800A0	THREAD CUTTER LEVER ASM., SMALL		*		1
63	B24142800A0	THREAD CUTTER LEVER ASM., LARGE		*		1
64	SS6110430TP	SCREW 11/64-40 L= 4.0		*		1
65	WP0450846SP	WASHER		*		2
66	SS7110740TP	SCREW 11/64-40 L=7		*		1
67	B242328000C	MOVING KNIFE WASHER C	SELECTIVE PARTS	*		1

THREAD TENSION RELEASE COMPONENTS

0200-16 04

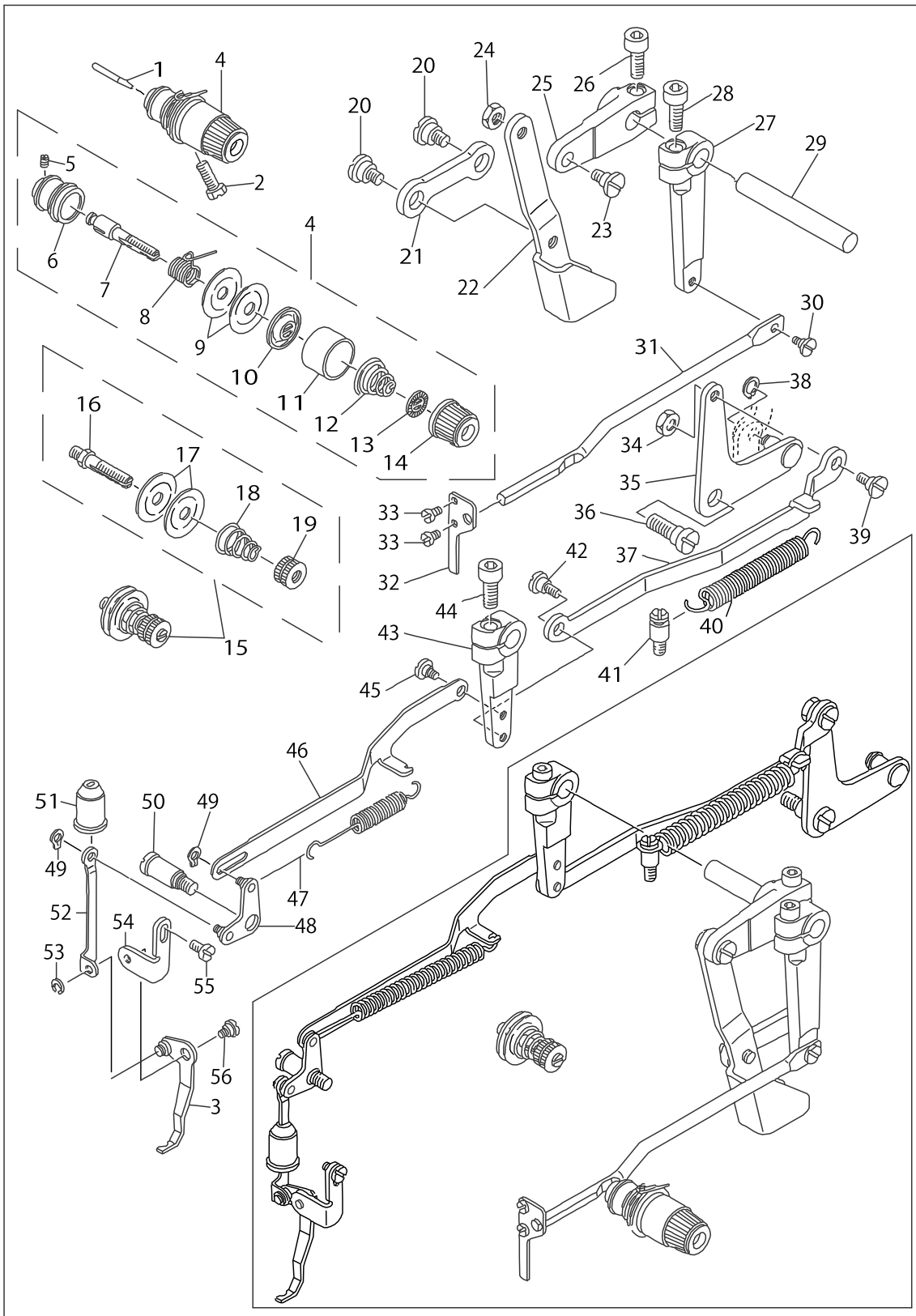


THREAD TENSION RELEASE COMPONENTS

No.	Parts No.	Parts name	Remarks	Level	Cons	Qty
1	B2303280000	TENSION RELEASE PIN				1
2	SS9151740CP	SCREW 15/64-28 L=17				1
3	26218859	WIPER ASM.				1
4	B23022800A0	SECOND THREAD TENSION ASM.				1
5	SS8090610SP	SCREW 9/64-40 L=5.9		*		1
6	B2313280000	THREAD TENSION ROD, LARGE		*		1
7	B2302280000	SECOND THREAD TENSION ROD		*		1
8	B3112761000	THREAD TAKE-UP SPRING		*		1
9	B3126012000	THREAD TENSION DISK		*		2
10	B3132552000	THREAD TENSION DISK PRESSER		*		1
11	B3107804000	THREAD TENSION DISK PRESSER		*		1
12	B3114232000	THREAD TENSION SPRING		*		1
13	B3120125000	ROTATING STOPPER		*		1
14	B3119771000	THREAD TENSION NUT		*		1
15	26218651	FIRST THREAD TENSION ASM.				1
16	26220400	THREAD TENSION ROD		*		1
17	B3126012000	THREAD TENSION DISK		*		2
18	26218602	FIRST THREAD TENSION SPRING		*		1
19	B3125012000	THREAD TENSION NUT		*		1
20	SD1000401SP	HINGE SCREW D=10 H=4				2
21	26217109	CONNECTING LINK				1
22	26204602	LOWERING FOOT				1
23	SD0790601SP	HINGE SCREW D=7.94 H=6				1
24	NS6150310SP	NUT 15/64-28				1
25	13506217	LOWERING ARM				1
26	SM6061802TP	SCREW M6 L=18				1
27	13513114	TENSION RELEASE ARM				1
28	SM6061802TP	SCREW M6 L=18				1
29	26216903	SHAFT				1
30	SD0530221SP	HINGE SCREW D= 5.3 H=2.2				1
31	26501304	TENSION RELEASE BAR				1
32	26218404	THREAD TENSION ARM				1
33	SS7090620TP	SCREW 9/64-40 L=6.1				2
34	NS6150310SP	NUT 15/64-28				1
35	13506852	LOWERING CONNECTING LEVER ASM.				1
36	SD0901201TP	HINGE SCREW D=9 H=3.2				1
37	26217208	LOWERING CONNECTING RING				1
38	RC0740811KP	C-RING				1
39	SD0720331SP	HINGE SCREW D= 7.24 H= 3.3				1
40	13506704	TENSION SPRING				1
41	26220707	SPRING HOOK				1
42	SD0640391TP	HINGE SCREW D= 6.35 H= 3.9				1
43	13506415	CONNECTING ARM				1
44	SM6061802TP	SCREW M6 L=18				1
45	SD0530221SP	HINGE SCREW D= 5.3 H= 2.2				1
46	26217802	WIPER CONNECTING LINK				1
47	26218008	SPRING				1

THREAD TENSION RELEASE COMPONENTS

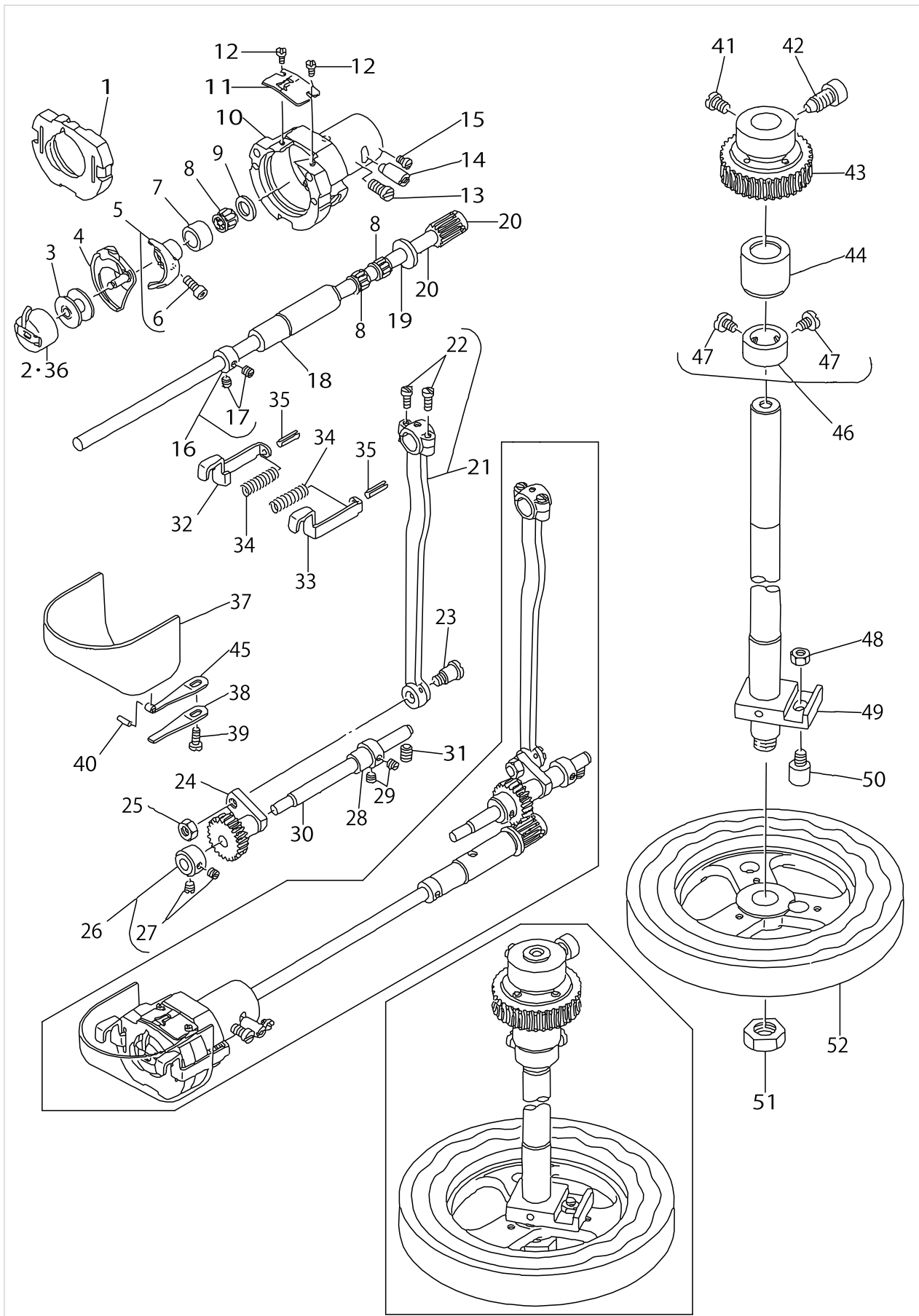
0200-16 04



THREAD TENSION RELEASE COMPONENTS

No.	Parts No.	Parts name	Remarks	Level	Cons	Qty
48	26204453	WIPER CONNECTING ARM ASM.				1
49	RC0470611KP	RETAINING RING 4.7				2
50	B2109280000	WIPER CONNECTING SCREW				1
51	13509807	OIL SHIELD CAP				1
52	26217901	WIPER CONNECTING PLATE				1
53	B1229232000	SNAP RING				1
54	13574009	WIPER BASE PLATE				1
55	SS4110815SP	SCREW 11/64-40 L=8				1
56	SD0640211SP	HINGE SCREW D= 6.35 H= 2.1				1

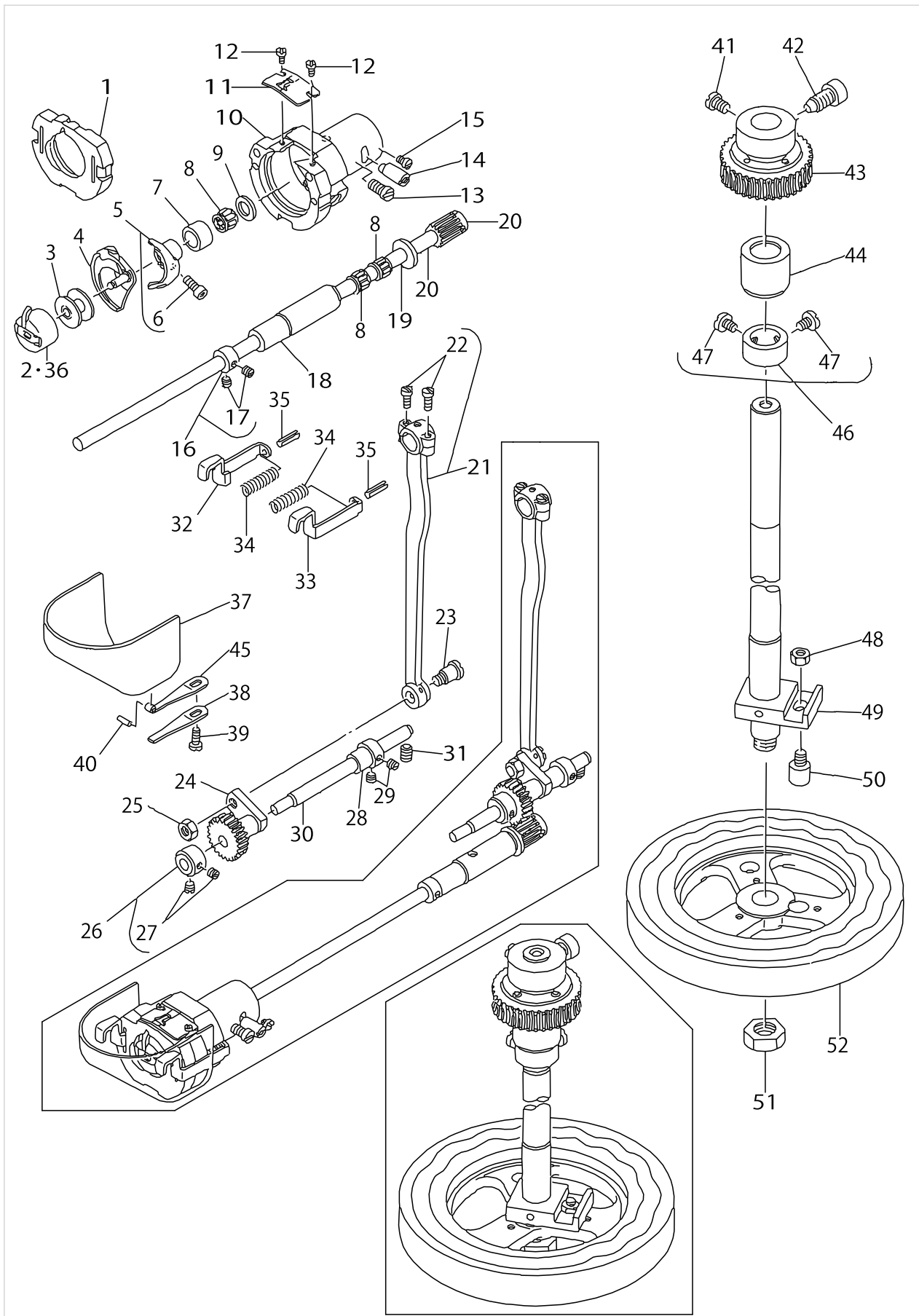
SHUTTLE DRIVER SHAFT COMPONENTS



SHUTTLE DRIVER SHAFT COMPONENTS

No.	Parts No.	Parts name	Remarks	Level	Cons	Qty
1	B18172800A0	INNER HOOK PRESSER ASM.				1
2	B18289800AB	BOBBIN CASE ASM.				1
3	26233106	BOBBIN				1
4	26204909	INNER HOOK				1
5	40028681	DRIVER ASM.				1
6	SS6121212TP	SCREW 3/16-28 L=12.0		*		1
7	B1813980000	SHUTTLE NEEDLE OUTER RING				1
8	B1411804B00	NEEDLE DRIVING LEVER BEARING B	SELECTIVE PARTS			3
9	WP0952616SD	WASHER 9.5X14.8X2.6				1
10	B1814980000	SHUTTLE				1
11	26222109	SHUTTLE UPPER SPRING				1
12	SS6060410TP	SCREW 3/32-56 L= 3.5				2
13	SS6151220SP	SCREW 15/64-28 L=11.5				1
14	26222208	SHUTTLE RACE ADJUSTING SHAFT				1
15	SS6110480SP	SCREW 11/64-40 L=4.3				1
16	CS080081CSH	THRUST COLLAR ASM. D=8.0 W=8				1
17	SS8110520TP	SCREW 11/64-40 L= 4.5		*		2
18	13508403	LOWER SHAFT REAR METAL				1
19	B1808980000	LOWER SHAFT THRUST WASHER				1
20	13509153	LOWER SHAFT GEAR A ASM.	SELECTIVE PARTS			1
21	13508155	CRANK ROD ASM.				1
22	SS7111110TP	SCREW 11/64-40 L=10.5		*		2
23	SD0801021TP	HINGE SCREW D= 8 H=10.2				1
24	B1805980000	OSCILLATOR				1
25	NS6660430SP	NUT 1/4-40				1
26	CS079101ASH	THRUST COLLAR ASM. D=7.94 W=10				1
27	SS8110520TP	SCREW 11/64-40 L= 4.5		*		2
28	26221804	THRUST COLLAR				1
29	SS8110520TP	SCREW 11/64-40 L= 4.5				2
30	26203901	OSCILLATING SHAFT				1
31	SS8150822TP	SCREW 15/64-28 L=8				1
32	26222406	INNER HOOK PRESSER, LEFT				1
33	26222307	INNER HOOK PRESSER, RIGHT				1
34	26222505	INNER HOOK PRESSURE SPRING				2
35	PS0250162KH	SPRING PIN 2.5X16				2
36	B18289800A0	BOBBIN CASE ASM.	FOR EXTRA THICK THREAD (OPTIONAL PARTS)			1
37	13816855	CYLINDER ARM CAP ASM.				1
38	26221200	HOOK COVER PRESSER SPRING B				1
39	SS6111140SP	SCREW 11/64-40 L=11				1
40	13508700	HOOK COVER PRESSER SPRING PIN				1
41	SS6661110SP	SCREW 1/4-40 L=11				1
42	SS6742012TP	SCREW 3/8-28 L=19.5				1
43	13510458	WORM WHEEL ASM.				1
44	13510201	WORM WHEEL SHAFT BUSHING				1
45	26221101	HOOK COVER PRESSER SPRING A				1
46	CS180121ASH	THRUST COLLAR ASM. D=18 W=12				1

SHUTTLE DRIVER SHAFT COMPONENTS

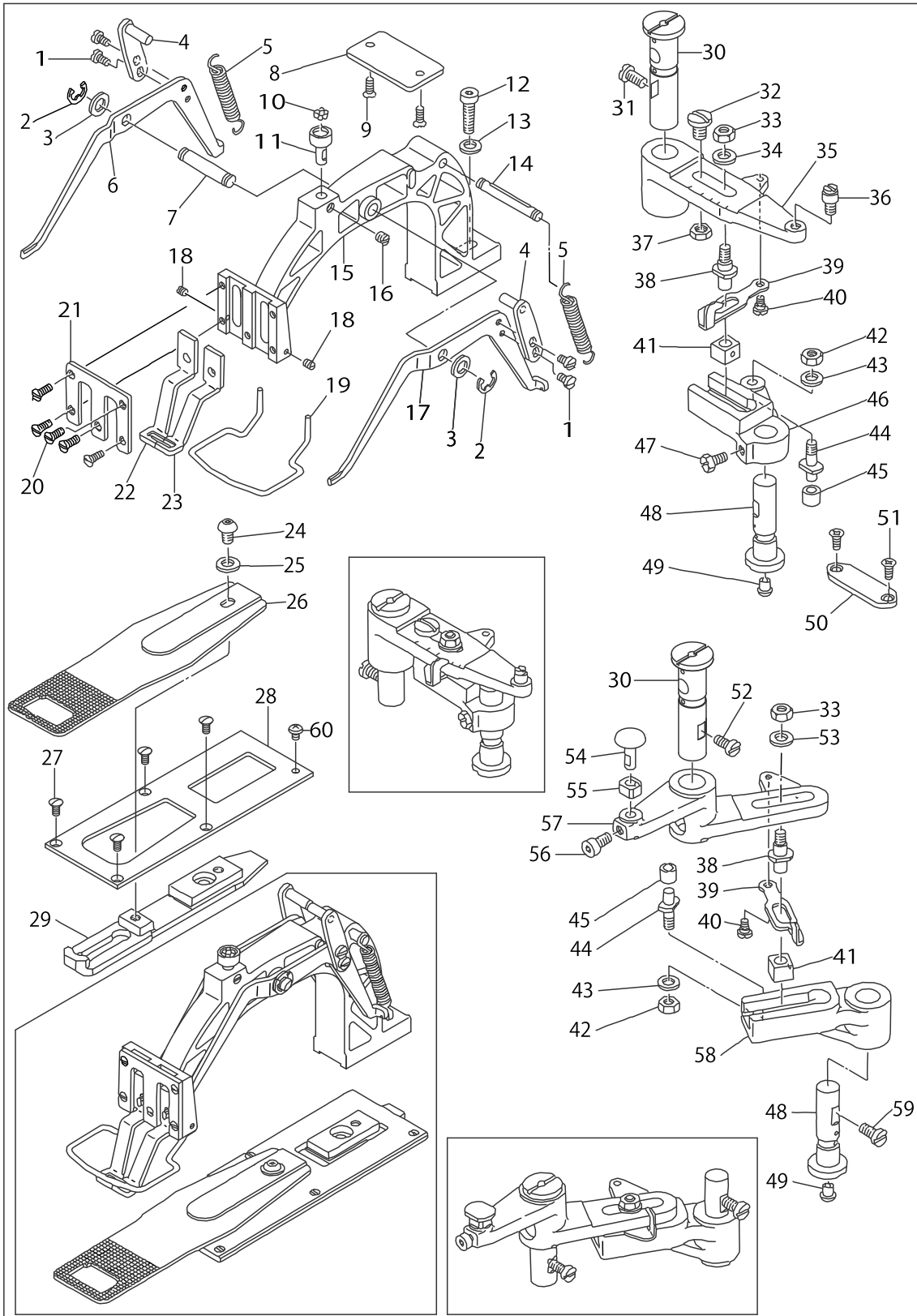


SHUTTLE DRIVER SHAFT COMPONENTS

No.	Parts No.	Parts name	Remarks	Level	Cons	Qty
47	SS6660710TP	SCREW 1/4-40 L=7		*		2
48	NS6660511SP	NUT 1/4-40				1
49	26221358	WORM WHEEL SHAFT ASM.				1
50	26221507	CAM GUIDE PIN				1
51	NS6360810SP	NUT 9/16-20				1
52	13510607	FEED CAM				1

FEED MECHANISM COMPONENTS

0200-16 06

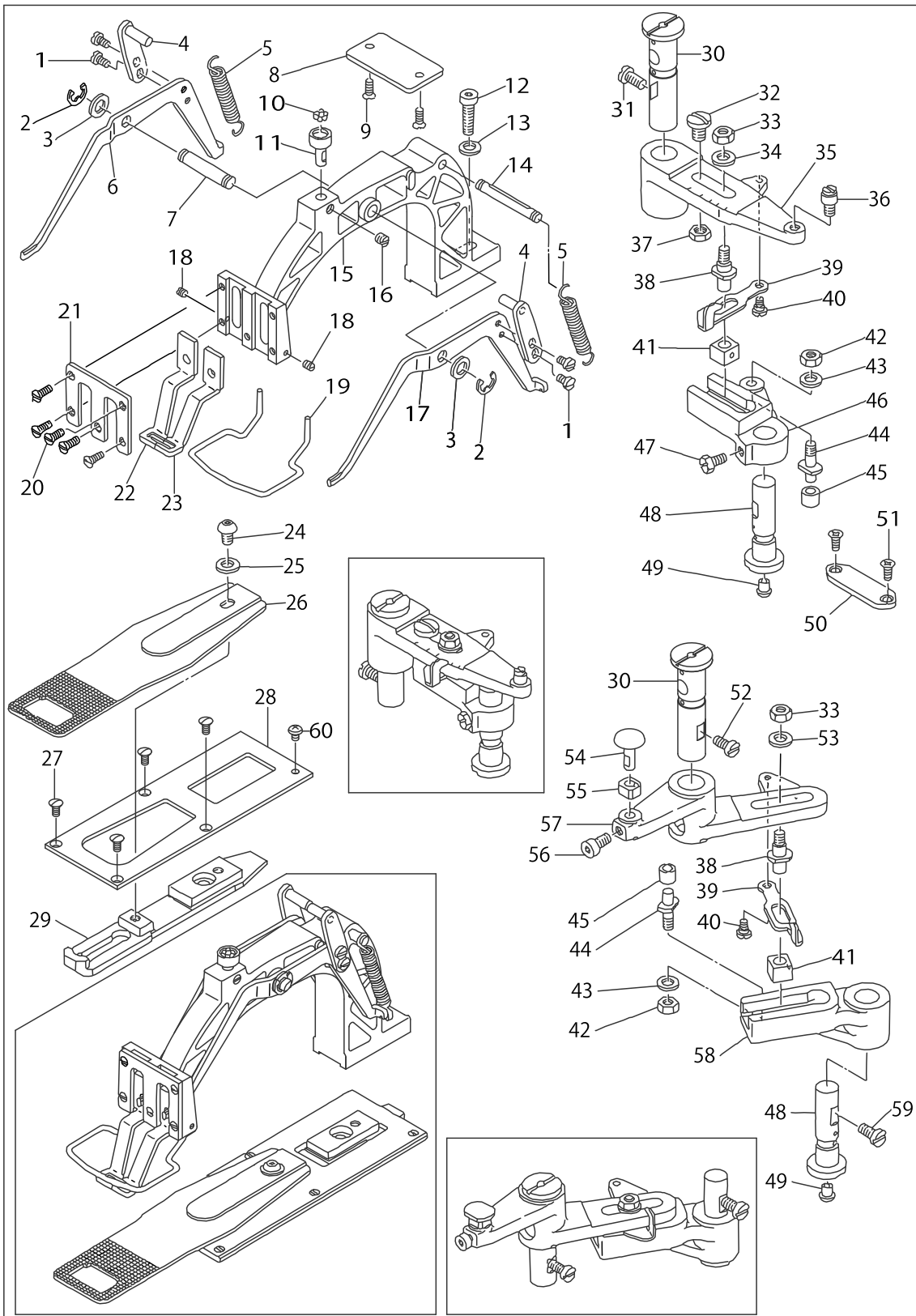


FEED MECHANISM COMPONENTS

No.	Parts No.	Parts name	Remarks	Level	Cons	Qty
1	SS7110740TP	SCREW 11/64-40 L=7				4
2	RE0700000K0	E-RING 7				2
3	B255728000C	WASHER	SELECTIVE PARTS			2
4	13518352	LEVER DRIVING PLATE ASM.				2
5	13518402	TENSION SPRING				2
6	26204107	LIFTING LEVER LEFT				1
7	26223701	LIFTING LEVER SHAFT				1
8	13518907	SUPPORT PLATE				1
9	SS2110920TP	SCREW 11/64-40 L=8.5				2
10	B2549280000	WORK CLAMP FOOT MOUNTING BASE				7
11	26224808	BALL RETAINER				1
12	SM6062002TP	SCREW M6 L=20				1
13	WP0621016SD	WASHER 6.2X13X1				1
14	13518501	SPRING SUSPENSION				1
15	13517800	FEED BRACKET				1
16	SS8150510TP	SCREW 15/64-28 L= 4.7				1
17	26204008	LIFTING LEVER RIGHT				1
18	SS8080310TP	SCREW 1/8-44 L=2.8				2
19	26224204	FINGER GUARD				1
20	SS2110930SP	SCREW 11/64-40 L=8.5				5
21	26224105	WORK CLAMP FOOT FACE PLATE				1
22	13518600	WORK CLAMP FOOT, RIGHT				1
23	13518709	WORK CLAMP FOOT, LEFT				1
24	SM3061052TP	SCREW M6 L=10				1
25	WP0650876SD	WASHER 6.5X13X0.8				1
26	13517701	FEED PLATE				1
27	SS2110920TP	SCREW 11/64-40 L=8.5				4
28	26223602	FEED PLATE PRESSER PLATE				1
29	13517529	FEED PLATE CARRIER BAR				1
30	26222703	FEED DRIVING ARM SHAFT				2
31	SS6151220SP	SCREW 15/64-28 L=11.5				1
32	SS7701010SP	SCREW 5/16-24 L=10				1
33	NS6150540SP	NUT 15/64-28				2
34	WP0702026SP	WASHER 7X15X2				1
35	13516307	FEED REGULATOR				1
36	26223503	HINGE STUD				1
37	NS6700320SP	NUT 5/16-24				1
38	26222901	FEED REGULATOR STUD				2
39	26223008	INDICATOR LEVER				2
40	SD0530221SP	HINGE SCREW D= 5.3 H= 2.2				2
41	13516703	SLIDE BLOCK B	SELECTIVE PARTS			2
42	NS6660430SP	NUT 1/4-40				2
43	WP0650876SD	WASHER 6.5X13X0.8				2
44	26224600	FEED CAM ROLLER SHAFT				2
45	26239806	FEED CAM ROLLER	SELECTIVE PARTS			2
46	13516109	FEED DRIVING ARM				1
47	SS9151440CP	SCREW 15/64-28 L=14				1

FEED MECHANISM COMPONENTS

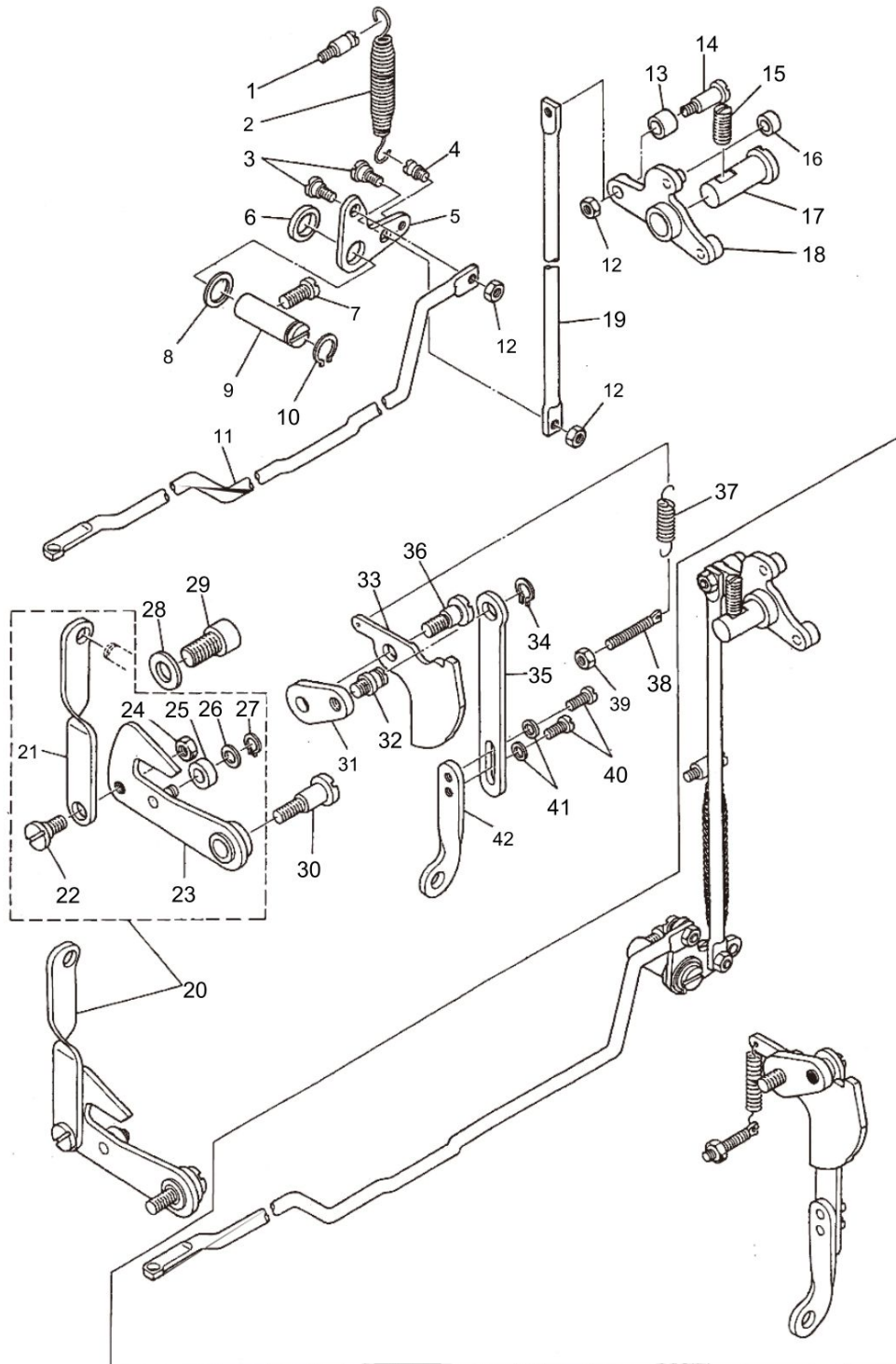
0200-16 06



FEED MECHANISM COMPONENTS

No.	Parts No.	Parts name	Remarks	Level	Cons	Qty
48	13550108	FEED REGULATOR SHAFT				2
49	TA0550604R0	RUBBER PLUG				2
50	26223404	PLATE				1
51	SS1110821TP	SCREW 11/64-40 L=8.3				2
52	SS6151220SP	SCREW 15/64-28 L=11.5				1
53	WP0704516SP	WASHER 7X20X4.5				1
54	26223305	SLIDE BLOCK STUD				1
55	B1414232000	SQUARE BLOCK				1
56	SS6151142TP	SCREW 15/64-28 L=10.5				1
57	13517107	FEED ACROSS DRIVING ARM				1
58	13517008	FEED ACROSS REGULATOR				1
59	SS6151220SP	SCREW 15/64-28 L=11.5				1
60	SS4110615SP	SCREW 11/64-40 L=6				1

THREAD TRIMMING COMPONENTS

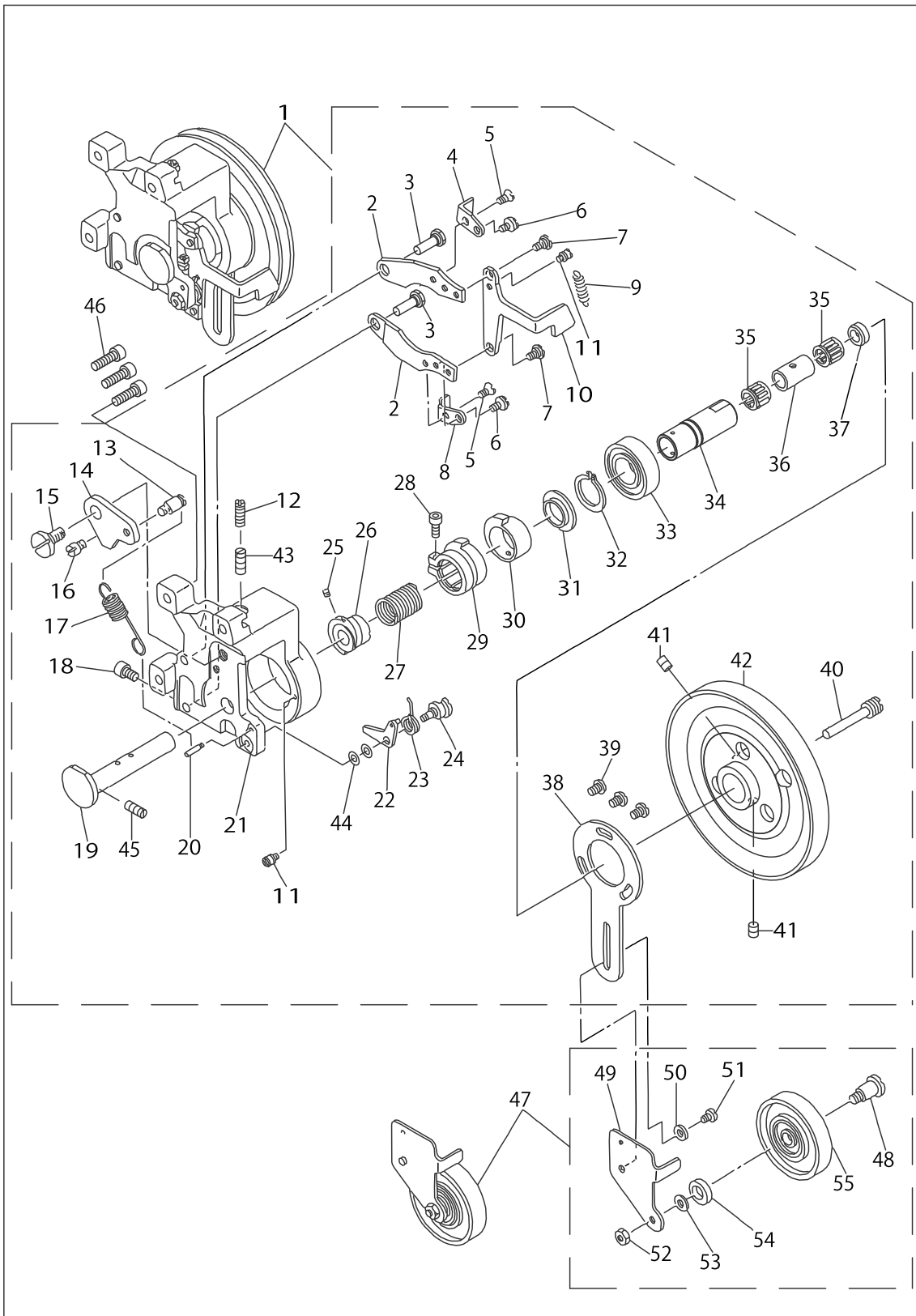


THREAD TRIMMING COMPONENTS

No.	Parts No.	Parts name	Remarks	Level	Cons	Qty
1	26226407	TENSION SPRING HOOK				1
2	B2410980000	TENSION SPRING				1
3	SD0650305TP	HINGE SCREW D= 6.5 H= 3				2
4	26017400	SPRING HOOK				1
5	26225805	THREAD CUTTING LINK				1
6	26226100	THREAD CUTTING RING				1
7	SS6151440SP	SCREW 15/64-28 L=14				1
8	26226001	THREAD CUTTING LINK WASHER				1
9	26225904	THREAD CUTTING LINK SHAFT				1
10	RC1021011KP	RETAINING RING 10.2				1
11	13515408	CONNECTING ROD, LARGE				1
12	NS6120310SP	NUT 3/16-28				3
13	26225201	ROLLER				1
14	SD0651301TH	HINGE SCREW D=6.5 H=13				1
15	SS8681950SP	SCREW 9/32-28 L=19				1
16	26226704	THREAD CUTTING CAM ROLLER				1
17	26225102	CAM STUD				1
18	13534060	THREAD CUTTING CAM COMPL.				1
19	26225706	CONNECTING ROD SMALL				1
20	13507058	LOWERING LINK ASM.				1
21	26217406	LOWERING LINK		*		1
22	SD0790402TP	HINGE SCREW D= 7.94 H= 4		*		1
23	13507157	LOWERING LEVER ASM.		*		1
24	NS6150310SP	NUT 15/64-28		*		1
25	26217505	ROLLER		*		1
26	26217604	WASHER		*		1
27	B2615280000	STOP RING		*		1
28	WP0982616SP	WASHER 9.8X24.0X2.6				1
29	SS6741512TP	SCREW 3/8-28 L=14.5				1
30	SD0901101SP	HINGE SCREW D= 9 H=11				1
31	26225300	AUXILIARY LEVER				1
32	26225409	SHAFT				1
33	13514401	THREAD TRIMMING AUXILIARY CAM				1
34	RC0740816K0	RETAINING RING				1
35	26225607	CONNECTING PLATE B				1
36	SD0790802TP	HINGE SCREW D=7.94 H=8				1
37	26226209	SPRING				1
38	26226506	SPRING HOOK				1
39	NS6110420SP	NUT 11/64-40				1
40	SS7110910TP	SCREW 11/64-40 L= 8.5				2
41	WP0480856SP	WASHER 4.8X8.4X0.8				2
42	26225508	CONNECTING PLATE A				1

PEDAL PRESSURE DECREASING UNIT COMPONENTS

0200-16 08

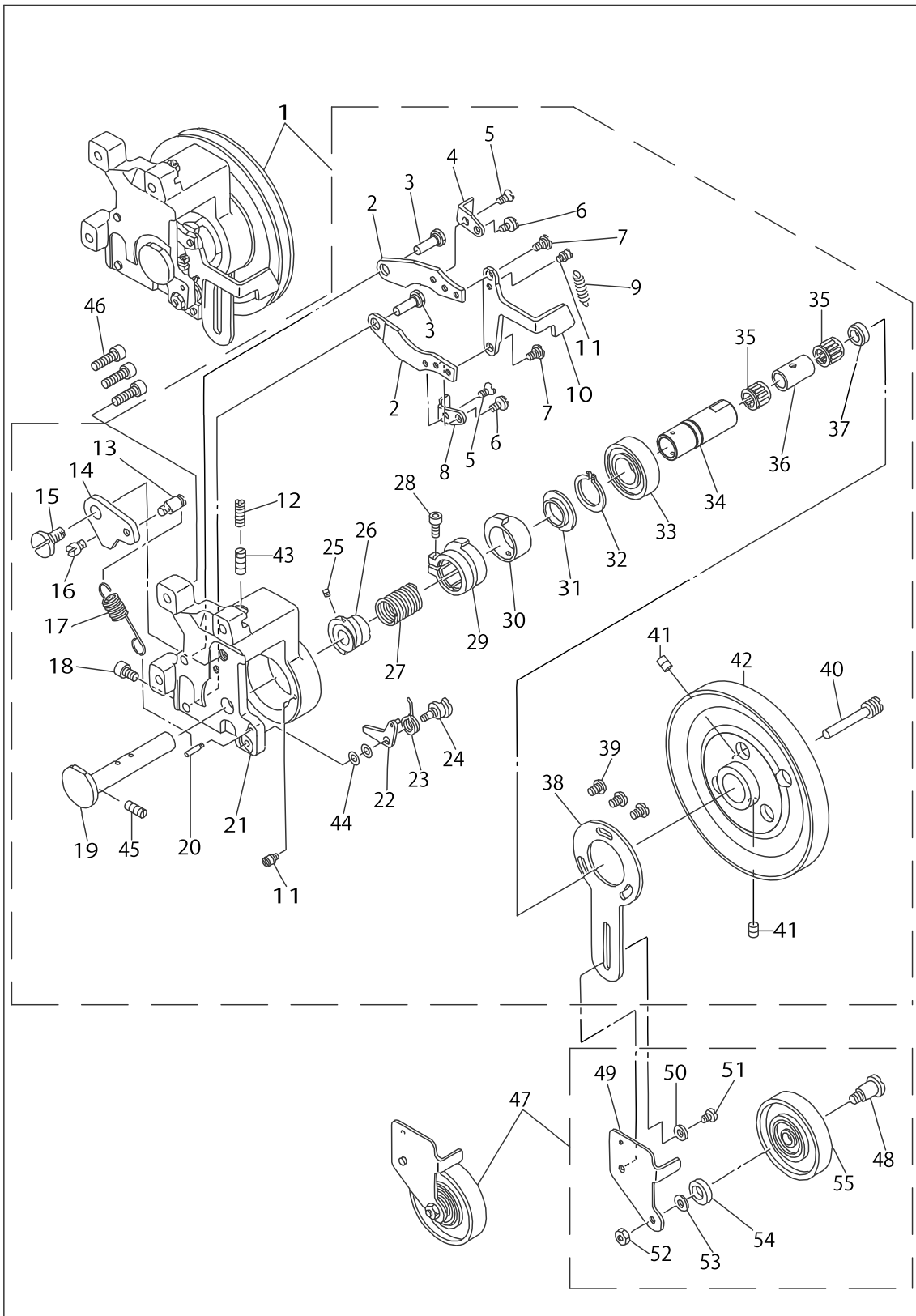


PEDAL PRESSURE DECREASING UNIT COMPONENTS

No.	Parts No.	Parts name	Remarks	Level	Cons	Qty
1	13523188	PRESSURE DECREASING DEVICE				1
2	13524608	PRESSURE DECREASING LEVER		*		2
3	13525100	STUD		*		2
4	13524707	LEVER LATCH A		*		1
5	SS2110920TP	SCREW 11/64-40 L=8.5		*		2
6	SS7110910TP	SCREW 11/64-40 L= 8.5		*		2
7	SD0640321SP	HINGE SCREW D= 6.35 H= 3.2		*		2
8	13524806	LEVER LATCH B		*		1
9	13525001	SPRING		*		1
10	13524905	PRESSURE DECREASING LEVER LINK		*		1
11	26017400	SPRING HOOK		*		2
12	SS8150710SP	SCREW 15/64-28 L=7		*		1
13	MAT80116S00	SUSPENSION PIN		*		1
14	13525605	AUXILIARY CAM		*		1
15	SD0720331SP	HINGE SCREW D= 7.24 H= 3.3		*		1
16	SS6110710TP	SCREW 11/64-40 L= 6.5		*		1
17	13525704	SPRING		*		1
18	SM6061002TP	SCREW M6 L=10		*		2
19	13523352	PRESSURE DECREASING SHAFT ASM.		*		1
20	PS0300162KH	SPRING PIN 3X16		*		1
21	13523121	PRESSURE DECREASING UNIT FRAME		*		1
22	13524368	ROTATION PREVENTING LATCH ASM.		*		1
23	13524418	SPRING		*		1
24	SD0600321SP	HINGE SCREW D=6 H=3.2		*		1
25	SS8620610SP	SCREW 3/16-32 L=6		*		1
26	13524277	DECREASING CLUTCH ASM.		*		1
27	13523808	CLUTCH SPRING		*		1
28	SM6051202TP	SCREW M5X0.8 L=12		*		1
29	13524129	INNER SLEEVE		*		1
30	13524004	OUTER SLEEVE		*		1
31	13523915	OUTER SLEEVE GUIDE		*		1
32	RC1850001KP	SNAP RING 18.5		*		1
33	SB120000300	BEARING D=20X42		*		1
34	13523428	SHAFT		*		1
35	SB312000100	BEARING D=12X15		*		2
36	13523519	COLLAR A		*		1
37	13523600	COLLAR B		*		1
38	13525308	IDLER PULLEY INSTALLING PLATE		*		1
39	SS6110810TP	SCREW 11/64-40 L=8		*		3
40	13525407	SCREW		*		1
41	SS8150822TP	SCREW 15/64-28 L=8		*		2
42	13523212	DRIVING PULLEY		*		1
43	SS8151550SP	SCREW 15/64-28 L=15		*		1
44	WP0482086SD	WASHER 4.8X11.5X2		*		2
45	SS8620850SP	SCREW 3/16-32 L= 8.0		*		1
46	SM6062002TP	SCREW M6 L=20				3
47	13532254	IDLER PULLEY ASM.				1

PEDAL PRESSURE DECREASING UNIT COMPONENTS

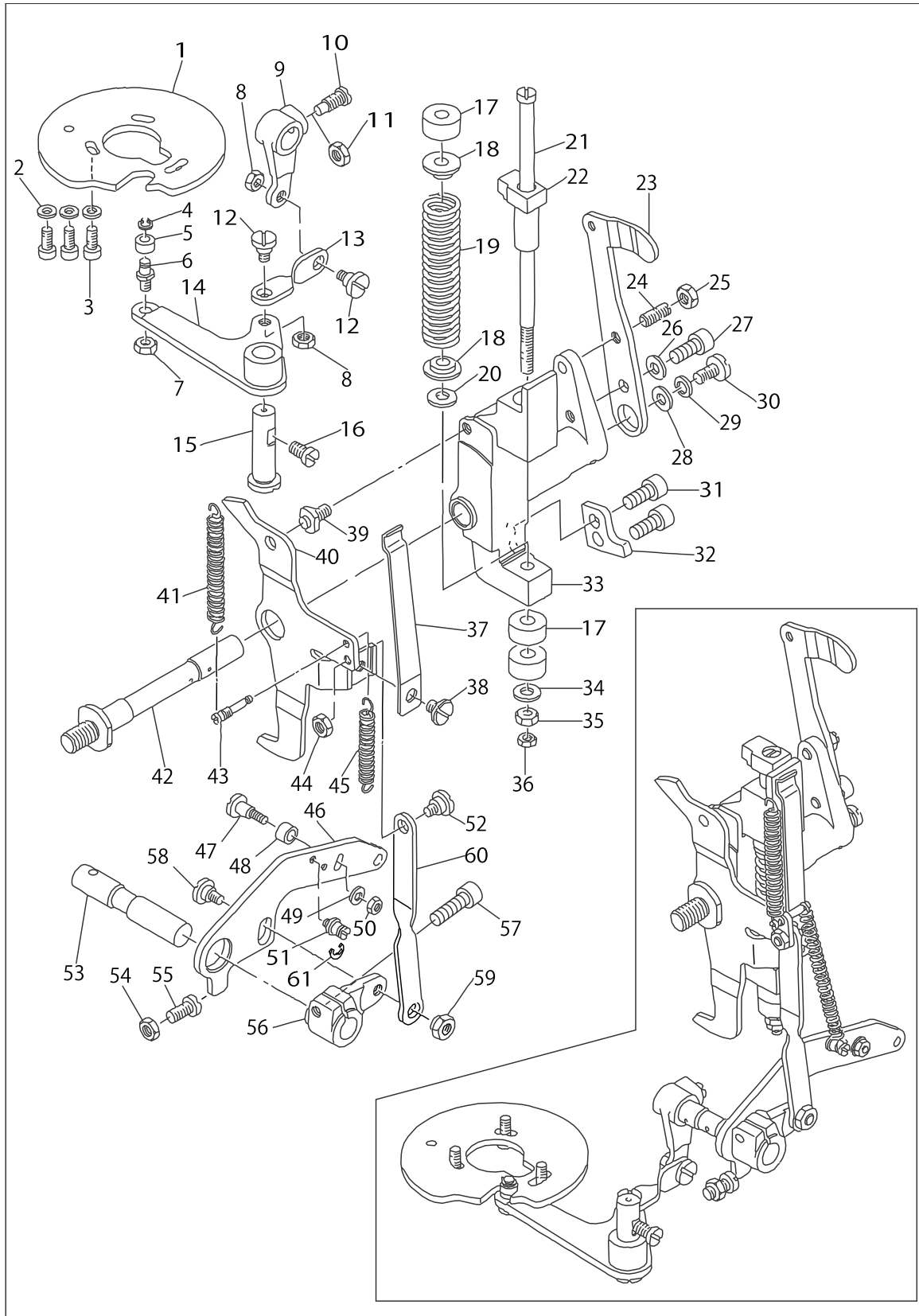
0200-16 08



PEDAL PRESSURE DECREASING UNIT COMPONENTS

No.	Parts No.	Parts name	Remarks	Level	Cons	Qty
48	SD1201501SP	HINGE SCREW D=12 H=15		*		1
49	26235200	IDLER BRACKET		*		1
50	WP0621016SD	WASHER 6.2X13X1		*		1
51	SS6150760SN	SCREW 15/64-28 L=6.5		*		1
52	NS6150310SP	NUT 15/64-28		*		1
53	WP0612056SD	WASHER 6.1X18.5X2		*		1
54	26235408	IDLER RING		*		1
55	13532262	IDLER PULLEY ASM.		*		1

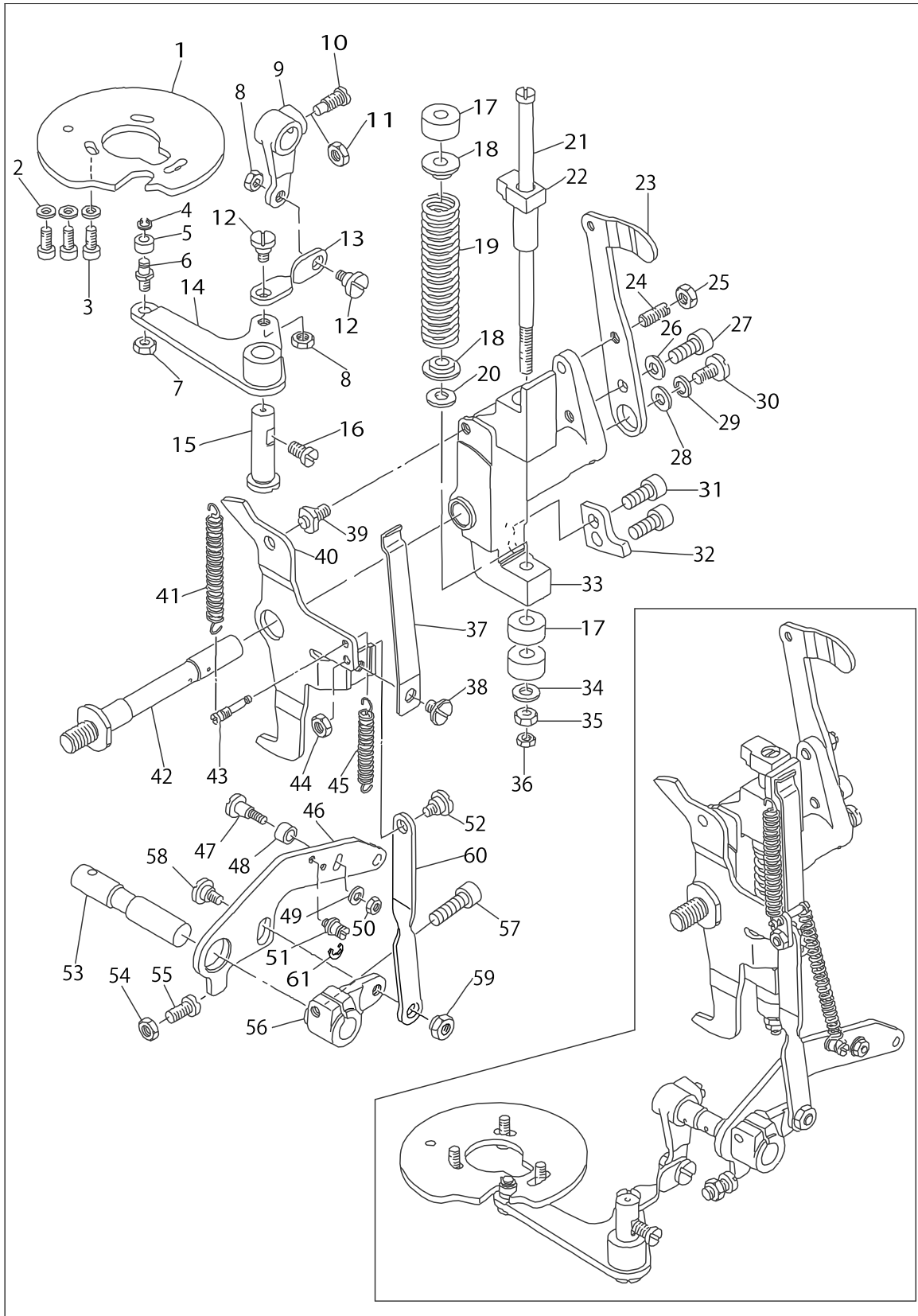
STOP-MOTION MECHANISM COMPONENTS



STOP-MOTION MECHANISM COMPONENTS

No.	Parts No.	Parts name	Remarks	Level	Cons	Qty
1	13522008	STOP-MOTION REGULATING CAM				1
2	WP0482086SD	WASHER 4.8X11.5X2				3
3	SS6121212TP	SCREW 3/16-28 L=12.0				3
4	RC0470611KP	RETAINING RING 4.7				1
5	26228601	ROLLER				1
6	26228502	ROLLER SHAFT				1
7	NS6150430SP	NUT 15/64-28				1
8	NS6150430SP	NUT 15/64-28				2
9	13521505	STOP-MOTION ARM B				1
10	SS6681720TP	SCREW 9/32-28 L=16.5				1
11	NS6680320SP	NUT 9/32-28				1
12	SD0800402TP	HINGE SCREW D= 8 H= 4				2
13	26228205	STOP-MOTION LINK				1
14	13521760	LEVER ASM.				1
15	26228304	REGULATING LEVER STUD				1
16	SS7151120SP	SCREW 15/64-28 L=11				1
17	B2608280000	RUBBER CUSHION				3
18	26229104	WASHER				2
19	26229005	PRESSURE SPRING				1
20	WP0751576SD	WASHER 7.5X19X1.5				1
21	B2605372000	STOP MOTION PLUNGER ROD				1
22	26228908	STOP MOTION HOOK				1
23	13520309	PULLEY PRESSING PLATE				1
24	SS8151780SP	SCREW 15/64-28 L=17.0				1
25	NS6150430SP	NUT 15/64-28				1
26	WP0621016SD	WASHER 6.2X13X1				1
27	SM6061802TP	SCREW M6 L=18				1
28	WP0612056SD	WASHER 6.1X18.5X2				1
29	WS0641560KR	SPRING WASHER 6.4X11.9X1.5				1
30	SS7151330SP	SCREW 15/64-28 L=13.0				1
31	SM6061402TP	SCREW M6 L=14				2
32	13520705	SAFETY PLATE				1
33	13520119	STOP-MOTION LEVER				1
34	WP0751576SD	WASHER 7.5X19X1.5				1
35	NS6680410SP	NUT 9/32-28				1
36	NS6680410SP	NUT 9/32-28				1
37	26227306	STOP-MOTION LEVER PLATE SPRING				1
38	SS5680740SP	SCREW 9/32-28 L= 6.8				1
39	26227207	GUIDE PIN				1
40	13520408	DRIVING PLATE				1
41	13520804	TENSION SPRING				1
42	26202903	STOP-MOTION LEVER SHAFT				1
43	26228700	STARTING SPRING HOOK				1
44	NS6150310SP	NUT 15/64-28				1
45	26227900	TENSION SPRING				1
46	26204701	STARTING LEVER				1
47	SD0640801TP	HINGE SCREW D= 6.35 H= 8.0				1

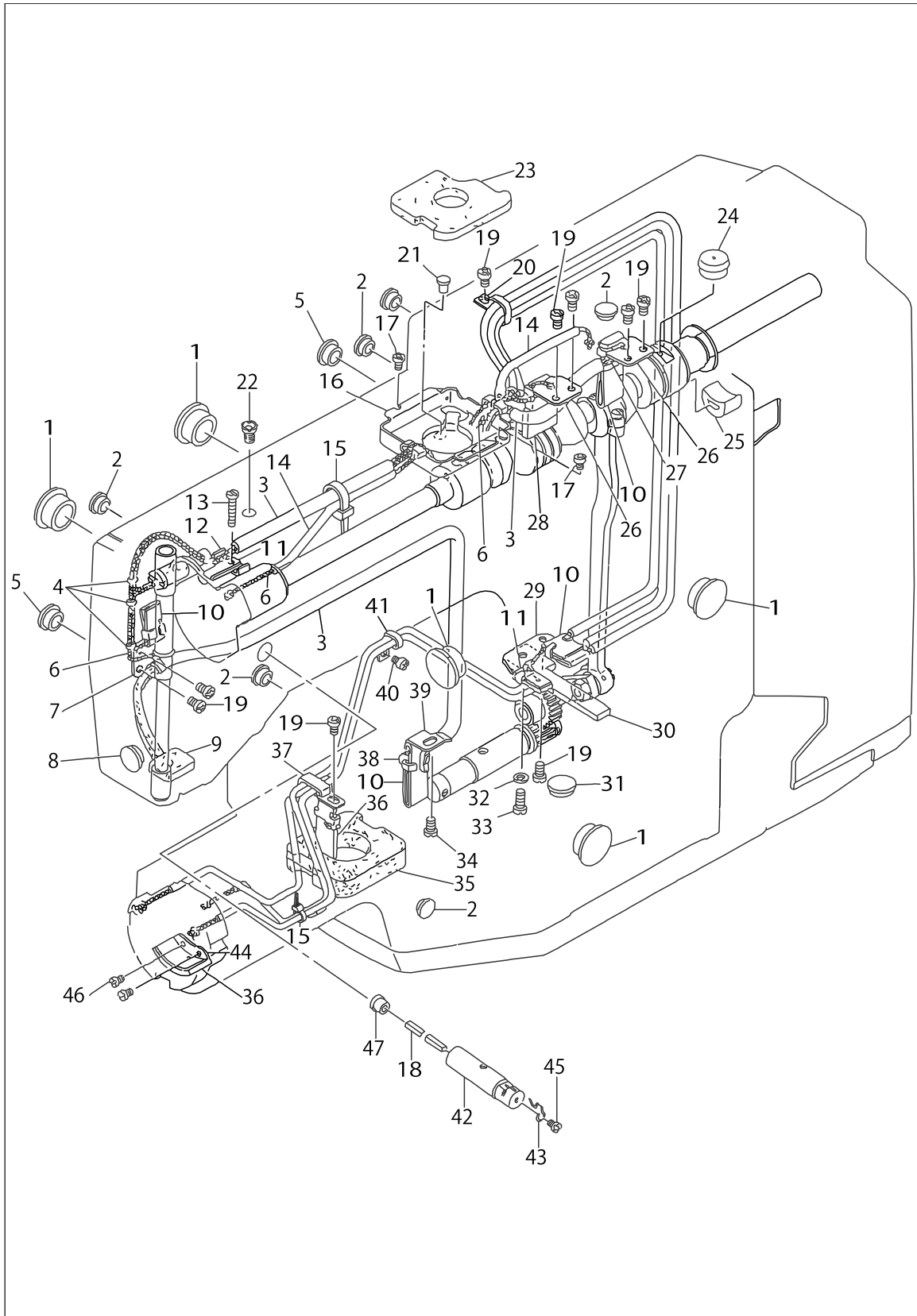
STOP-MOTION MECHANISM COMPONENTS



STOP-MOTION MECHANISM COMPONENTS

No.	Parts No.	Parts name	Remarks	Level	Cons	Qty
48	26228809	SLIDE ROLLER				1
49	WP0480856SP	WASHER 4.8X8.4X0.8				1
50	NS6110420SP	NUT 11/64-40				1
51	26229302	SUSPENSION SCREW				1
52	SD0800402TP	HINGE SCREW D= 8 H= 4				1
53	13521406	STOP-MOTION ARM SHAFT				1
54	NS6150310SP	NUT 15/64-28				1
55	SS6151440SP	SCREW 15/64-28 L=14				1
56	13521125	STOP-MOTION ARM A				1
57	SM6062002TP	SCREW M6 L=20				1
58	SD0800352SP	HINGE SCREW D=8 H=3.5				1
59	26227702	NUT				1
60	26227603	STOP-MOTION CONNECTING LEVER				1
61	RE0400000K0	E-RING 4				1

LUBRICATION MECHANISM COMPONENTS



LUBRICATION MECHANISM COMPONENTS

No.	Parts No.	Parts name	Remarks	Level	Cons	Qty
1	TA2100904R0	RUBBER PLUG				5
2	TA1050504R0	RUBBER PLUG				6
3	BP600000000	VINYL PIPE				0.7
4	26230706	OIL WICK PRESSER				3
5	TA1250406R0	RUBBER PLUG D=12.5 L=4				2
6	CQ252200000	OIL WICK				4.7
7	26231209	OIL WICK PRESSER				1
8	TA1250406R0	RUBBER PLUG D=12.5 L=4				1
9	B3507280000	OIL FELT				1
10	B3509280000	NEEDLE ROD CRANK LUBRICATING				4
11	B3518280000	BALANCE LUBRICATING				2
12	26231407	BALANCE LUBRICATING PLATE				1
13	SS6091510SP	SCREW 9/64-40 L=15.0				1
14	BP300000100	VINYL TUBE				2.5
15	EA9500B0100	CABLE BAND				2
16	26230102	LUBRICATING TANK				1
17	SS4090515SP	SCREW 9/64-40 L=5				2
18	13501705	SILICON OIL FELT	SPECIAL ORDER PARTS			1
19	SS4110715SP	SCREW 11/64-40 L=7				9
20	26230409	LUBRICATING OIL WICK STOPPER				1
21	TA0750704R0	RUBBER PLUG				1
22	13501408	SILICON OIL POURING HOLE	SPECIAL ORDER PARTS			1
23	13529904	LUBRICATING TANK FELT				1
24	26230904	GREASE CAP				1
25	13528708	REAR METAL BUSH				1
26	26231605	CRANK ROD LUBRICATING PLATE				2
27	13529201	CRANK LUBRICATING FELT				1
28	13529102	OIL FELT				1
29	26229401	OSCILLATOR LUBRICATION PLATE				1
30	B3515280000	OSCILLATOR LUBRICATING FELT				1
31	TA1450404R0	RUBBER PLUG D=14.5 L=4				1
32	WP0621016SD	WASHER 6.2X13X1				1
33	SS6111140SP	SCREW 11/64-40 L=11				1
34	SS7110510SP	SCREW 11/64-40 L=5				1
35	B3502280000	LUBRICATING TANK FELT				1
36	B3504280000	SHUTTLE FELT				2
37	26229609	HOOK OIL WICK STOPPER A				1
38	B3541012000	OIL WICK				1
39	26230003	OIL FELT HOLDER				1
40	SS4110515SP	SCREW 11/64-40 L=5				1
41	26231902	OIL WICK PIPE STOPPER				1
42	13501309	SILICON OIL PIPE	SPECIAL ORDER PARTS			1
43	B1127280000	SILICON OIL THREAD GUIDE	SPECIAL ORDER PARTS			1
44	26231100	SHUTTLE LUBRICATING PLATE				1
45	SS4110515SP	SCREW 11/64-40 L=5	SPECIAL ORDER PARTS			1
46	SS6090440SP	SCREW 9/64-40 L= 4.0				2
47	TA1050504R0	RUBBER PLUG	SPECIAL ORDER PARTS			1

TABLE COMPONENTS

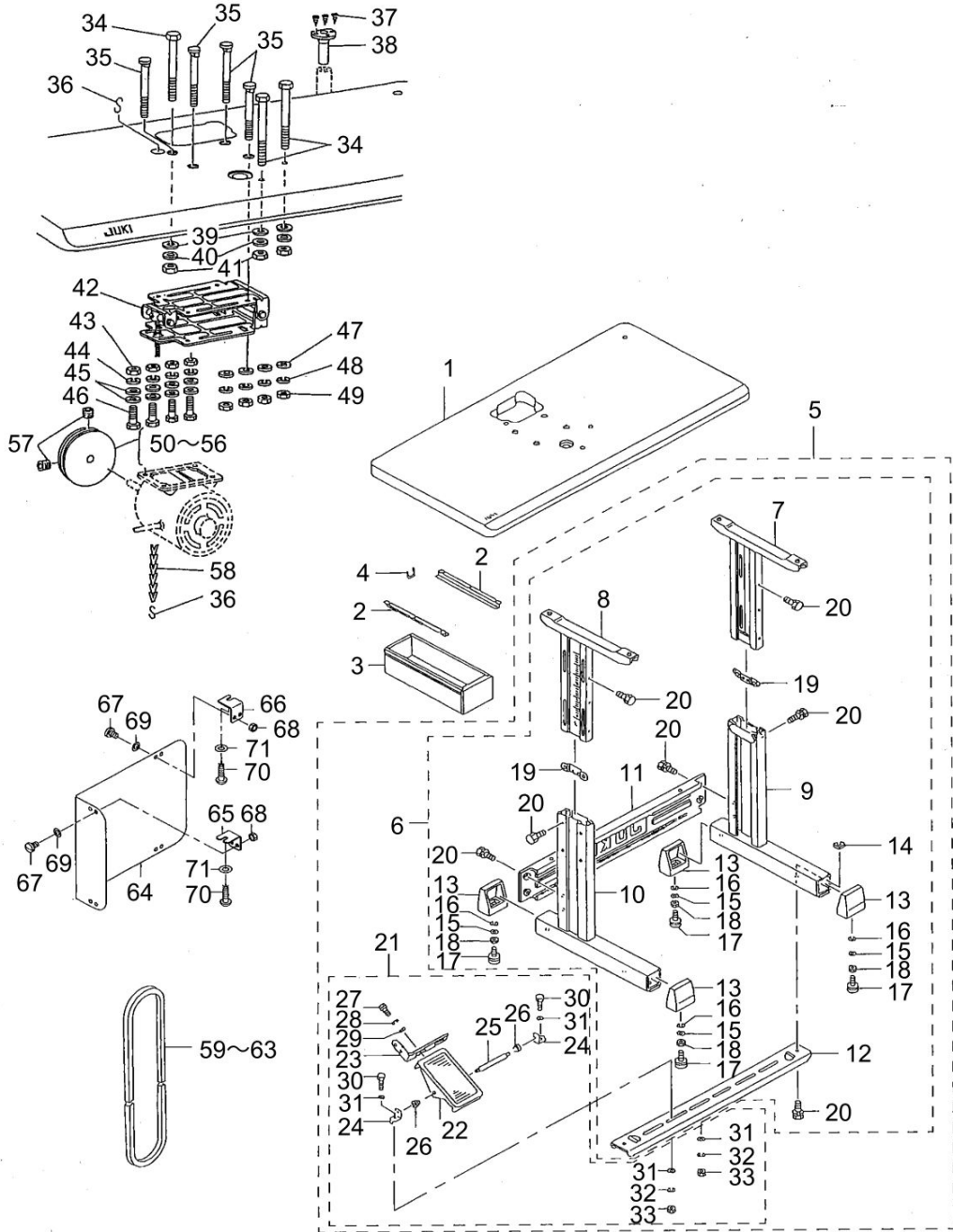


TABLE COMPONENTS

No.	Parts No.	Parts name	Remarks	Level	Cons	Qty
1	13817507	TABLE				1
2	11155207	DRAWER SUPPORT				2
3	11155108	DRAWER				1
4	D8204555D00	DRAWER STOPPER				1
5	13508056	T-STAND COMPL.				1
6	11157559	T-STAND ASM.		*		1
7	11157658	STAND UPPER, RIGHT		*		1
8	11157757	STAND UPPER, LEFT		*		1
9	11157955	STUD ASM., RIGHT		*		1
10	11158052	STRUT JUNCTION (LEFT)		*		1
11	11158300	STAND SIDE SUPPORT		*		1
12	11158409	STAND SIDE SUPPORT		*		1
13	11158607	RUBBER CAP		*		4
14	17007402	NUT		*		2
15	WP1302501SE	WASHER M12		*		4
16	WS1253010KN	SPRING WASHER 12.5X21.5X3		*		4
17	B81085550A0	ADJUSTING SCREW ASM. WITH CAP		*		4
18	NM6120003SE	NUT M12		*		4
19	11158508	PLATE		*		2
20	SL9082091SE	WASHER HEXAGONAL BOLT		*		12
21	13817754	Z-STAND PEDAL ASM.		*		1
22	GPF060600A0	PEDAL ASM.		*		1
23	GPF06080000	PEDAL ADJUSTING PLATE		*		1
24	11159001	PEDAL SHAFT BRACKET		*		2
25	B8153771000	PEDAL CONNECTING ROD		*		1
26	D8113555B00	PEDAL BUSHING		*		2
27	SM9061203SE	SCREW M6 L=12		*		2
28	WP0671016SE	WASHER 6.7X13X1		*		2
29	WS0621210KR	SPRING WASHER 6.2X11.4X1.2		*		2
30	SM9082023SE	SCREW M8 L=20		*		2
31	WP0871602SE	WASHER 8.7X18X1.6		*		4
32	WS0861410KR	SPRING WASHER 8.6X15X1.4		*		2
33	NM6080721SE	NUT M8		*		2
34	SS9156830SP	SCREW 15/64-28 L=68				3
35	MTJMS000000	MOUNTING BOLT				4
36	B8133019000	S SHAPED HOOK				2
37	SK3311600SE	WOOD SCREW D=3.1 L=16				3
38	26234302	OIL REMOVING FUNNEL				1
39	WP0612056SD	WASHER 6.1X18.5X2				3
40	WP0621016SD	WASHER 6.2X13X1				3
41	NS6150310SP	NUT 15/64-28				3
42	B71307610A0	MOTOR BASE ASM.				1
43	NM6060001SE	NUT M6				4
44	WS0621210KR	SPRING WASHER 6.2X11.4X1.2				4
45	WP0612056SE	WASHER 6.1X18.5X2				8
46	SM9062003SC	SCREW M6 L=20				4
47	WP0850002SC	WASHER 8.5X18X1.6				4

TABLE COMPONENTS

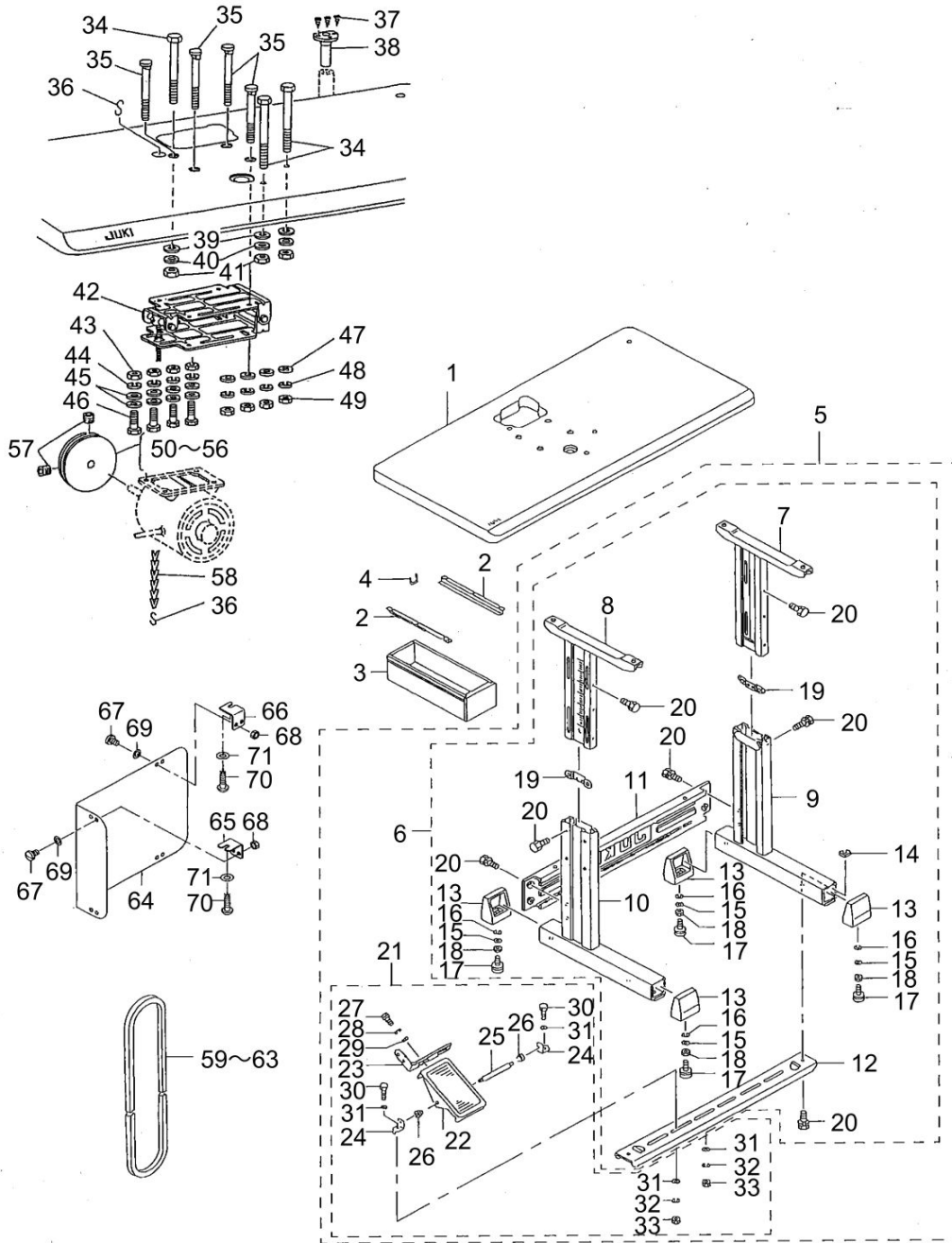
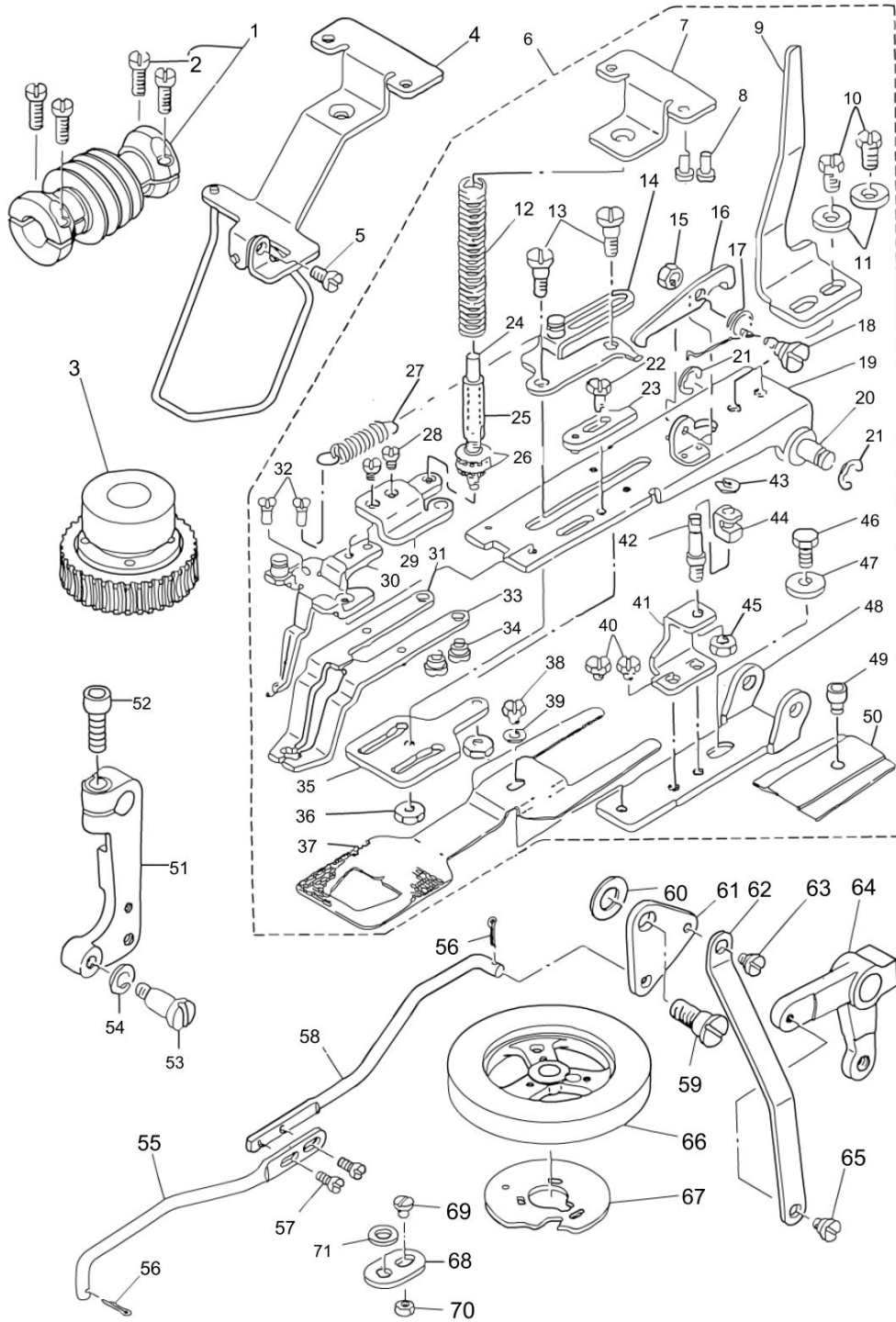


TABLE COMPONENTS

No.	Parts No.	Parts name	Remarks	Level	Cons	Qty
48	WS0902010KN	SPRING WASHER 9.0X15.0X2.0				4
49	NS6200710SN	NUT 5/16-18				4
50	13531108	MOTOR PULLEY 50HZ 2300 SPM				1
51	26202804	MOTOR PULLEY				1
52	13531306	MOTOR PULLEY 50HZ 1800 SPM				1
53	26239103	MOTOR PULLEY				1
54	26237503	MOTOR PULLEY				1
55	13531603	MOTOR PULLEY 60HZ 1800 SPM				1
56	13553706	MOTOR PULLEY 60HZ 1500 SPM				1
57	SS8150822TP	SCREW 15/64-28 L=8				2
58	B8131019000	CHAIN				1
59	MTJVM005000	V-BELT, 50INCH	FOR 50HZ 2300SPM			1
60	MTJVM004900	V-BELT, 49 INCH	FOR 50HZ 2000SPM. 60HZ 2300SPM			1
61	MTJVM004800	V-BELT, 48 INCH	FOR 50HZ 1800SPM. 60HZ 2000SPM			1
62	MTJVM004700	V-BELT, 47 INCH	FOR 60HZ 1800SPM			1
63	MTJVM004600	V-BELT, 46 INCH	FOR SLOW SPEED			1
64	40009458	PULLEY COVER	FOR DESTINATION ONLY			1
65	B7272781000	COVER MOUNTING BRACKET B	FOR DESTINATION ONLY			1
66	26236703	COVER MOUNTING BRACKET C	FOR DESTINATION ONLY			1
67	SS7110710SP	SCREW 11/64-40 L=7	FOR DESTINATION ONLY			4
68	NS6110310SP	NUT 11/64-40	FOR DESTINATION ONLY			4
69	WP0480856SP	WASHER 4.8X8.4X0.8	FOR DESTINATION ONLY			4
70	SK3452000SC	WOOD SCREW D=4.5 L=20	FOR DESTINATION ONLY			2
71	WP0501016SC	WASHER 5X10.5X1	FOR DESTINATION ONLY			2

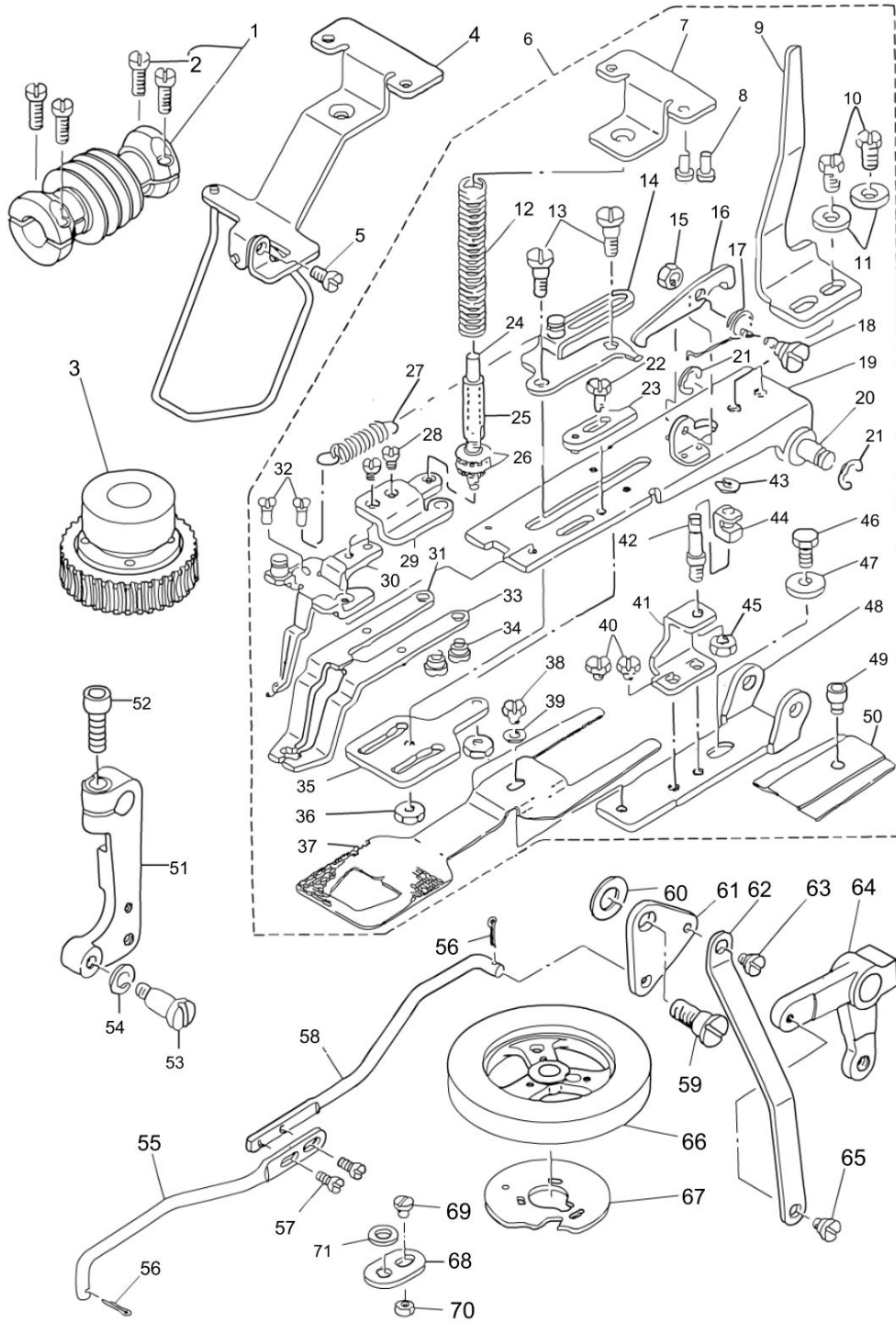
LK-1850 SERIES SUBCLASS



LK-1850 SERIES SUBCLASS

No.	Parts No.	Parts name	Remarks	Level	Cons	Qty
1	13510862	WORM ASM.				1
2	SS7111410TP	SCREW 11/64-40 L=14		*		4
3	13510953	FEED CAM DRIVING WHEEL ASM.				1
4	13541750	FINGER GUARD ASM.				1
5	SS7111120SP	SCREW 11/64-40 L=10.5				1
6	13540752	WORK CLAMP FOOT BRACKET ASM.				1
7	13541206	WORK CLAMP FOOT PLATE COVER		*		1
8	SS7110840SP	SCREW 11/64-40 L=7.8		*		2
9	13541404	WORK CLAMP FOOT LIFTING PLATE		*		1
10	SS9151120CP	SCREW 15/64-28 L=11		*		2
11	WP0612516SD	WASHER 6.1X15.2X2.5		*		2
12	D2529232D00	PRESSER SPRING		*		1
13	D2545232D0A	HINGE SCREW	SELECTIVE PARTS	*		2
14	D2513232DA0	BRACKET GUIDE ASM.		*		1
15	NS6110530SP	NUT 11/64-40		*		1
16	D2509232D00	STATIONING LATCH		*		1
17	D2512232D00	TORSION SPRING		*		1
18	D2511232D00	SCREW		*		1
19	D2504282AB0A	KNOB FOOT MOUNT BASE ASM.		*		1
20	D2502232D00	SHAFT BLOCK SHAFT		*		1
21	RE0700000K0	E-RING 7		*		2
22	SS9110920CP	SCREW 11/64-40 L=9		*		1
23	D2516232DA0	WORK CLAMP FOOT REGULATOR		*		1
24	D2528232D00	SHAFT		*		1
25	D2527232D00	SLEEVE		*		1
26	B3117352000	THREAD TENSION POST NUT		*		2
27	D2515232D00	TORSION SPRING		*		1
28	SS7110840SP	SCREW 11/64-40 L=7.8		*		2
29	13541107	WORK CLAMP FOOT SPRING HOLDER		*		1
30	13541057	CLAMP GUIDE FOOT ASM.		*		1
31	D2520232DA0	WORK CLAMP FOOT(LEFT)ASM.		*		1
32	SS1110640TP	SCREW 11/64-40 L= 5.5		*		2
33	D2521232DA0	WORK CLAMP FOOT(RIGHT)ASM.		*		1
34	SD0550271TP	HINGE SCREW D= 5.50 H= 2.7		*		2
35	D2519232D00	WORK CLAMP FOOT PLATE CAM		*		1
36	NS6120480SP	NUT 3/16-28		*		2
37	13541503	FEED PLATE		*		1
38	SS9110460CP	SCREW 11/64-40 L=4		*		1
39	WP0501016SD	WASHER 5X10.5X1		*		1
40	SS9110460CP	SCREW 11/64-40 L=4		*		2
41	13540802	SHAFT BRACKET BASE		*		1
42	13540901	STATIONING BLOCK SHAFT		*		1
43	D2548232D00	SNAP RING, FOR CONNECTING ROD		*		1
44	D2507232D00	STATIONING BLOCK		*		1
45	NS6150310SP	NUT 15/64-28		*		1
46	SS9151120CP	SCREW 15/64-28 L=11		*		1
47	WP0612516SD	WASHER 6.1X15.2X2.5		*		1

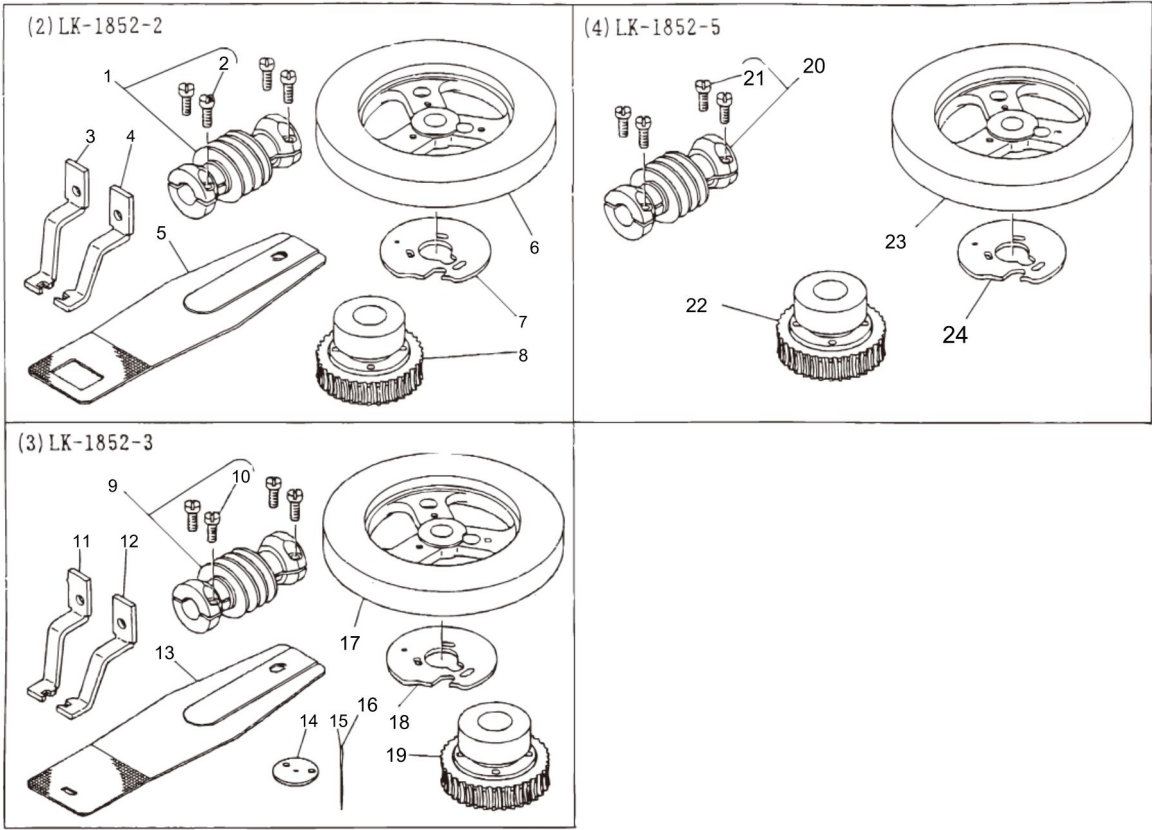
LK-1850 SERIES SUBCLASS



LK-1850 SERIES SUBCLASS

No.	Parts No.	Parts name	Remarks	Level	Cons	Qty
48	13540703	WORK CLAMP FOOT BRACKET ASM.		*		1
49	SM6060802TP	SCREW M6 L=8		*		1
50	WP0612066SP	WASHER 6.1X11X2		*		1
51	13541313	CONNECTING ARM				1
52	SM6061802TP	SCREW M6 L=18				1
53	SD1201501SP	HINGE SCREW D=12 H=15				1
54	WP0651056SH	WASHER 6.5X11X1				1
55	13540604	DRIVING BAR B				1
56	PD02010000B	SPLIT PIN				2
57	SS7090610SP	SCREW 9/64-40 L=6				2
58	13540505	DRIVING BAR A				1
59	SD0900701TP	HINGE SCREW D= 9 H= 7				1
60	13540406	WASHER				1
61	13540307	LEVER				1
62	13540208	LINK				1
63	SD0640321SP	HINGE SCREW D= 6.35 H= 3.2				1
64	13540109	STOP-MOTION REGULATING ARM B				1
65	SD0640241SP	HINGE SCREW D= 6.35 H= 2.4				1
66	13541800	FEED CAM				1
67	13538301	STOP-MOTION REGULATING CAM				1
68	13547807	FEED STOP WASHER				1
69	SS6090510SP	SCREW 9/64-40 L=5				1
70	NS6090310SP	NUT 9/64-40				1

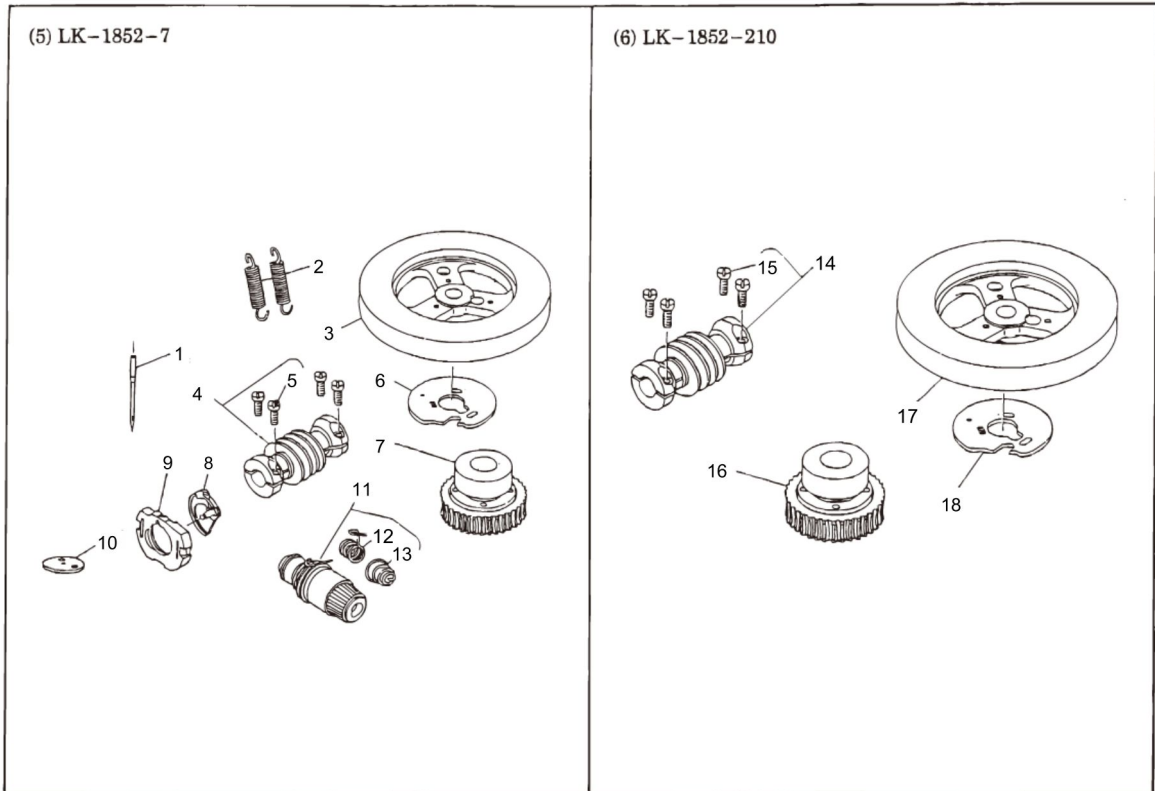
LK-1850 SERIES SUBCLASS



LK-1850 SERIES SUBCLASS

No.	Parts No.	Parts name	Remarks	Level	Cons	Qty
1	13510862	WORM ASM.				1
2	SS7111410TP	SCREW 11/64-40 L=14		*		4
3	13542402	WORK CLAMP FOOT, RIGHT				1
4	13542501	WORK CLAMP FOOT, LEFT				1
5	13542303	FEED PLATE				1
6	13541800	FEED CAM				1
7	13538301	STOP-MOTION REGULATING CAM				1
8	13510953	FEED CAM DRIVING WHEEL ASM.				1
9	13510862	WORM ASM.				1
10	SS7111410TP	SCREW 11/64-40 L=14		*		4
11	13542915	WORK CLAMP FOOT, RIGHT				1
12	13543012	WORK CLAMP FOOT, LEFT				1
13	13542816	CLOTH PRESSER PLATE				1
14	D2426282C00	NEEDLE HOLE GUIDE				1
15	MDP500B1100	NEEDLE DPX5 #11				1
16	MC200500750	NEEDLE 134 NM75				1
17	13542709	FEED CAM				1
18	13538301	STOP-MOTION REGULATING CAM				1
19	13510953	FEED CAM DRIVING WHEEL ASM.				1
20	13510862	WORM ASM.				1
21	SS7111410TP	SCREW 11/64-40 L=14		*		4
22	13510953	FEED CAM DRIVING WHEEL ASM.				1
23	13543202	FEED CAM				1
24	13538301	STOP-MOTION REGULATING CAM				1

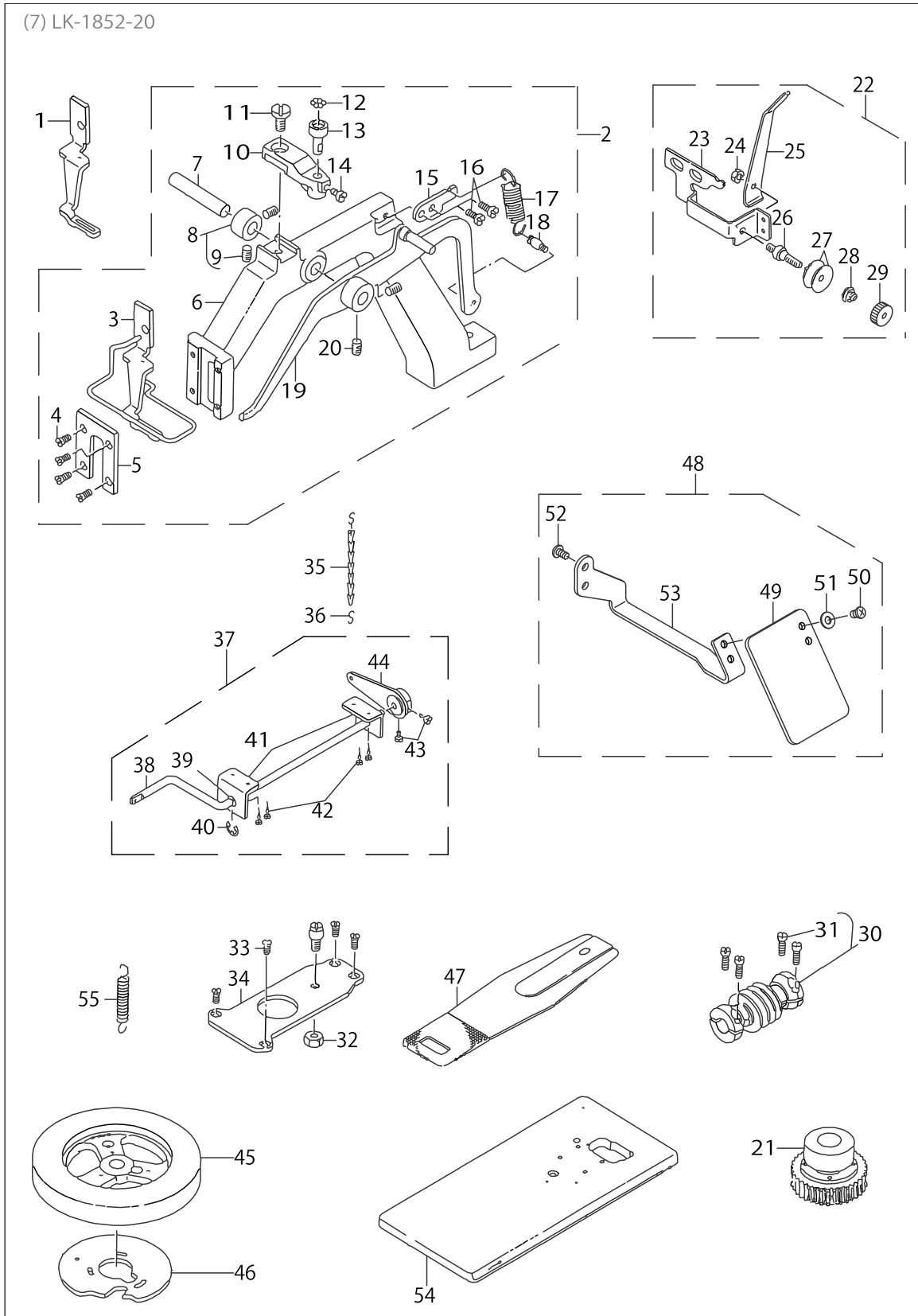
LK-1850 SERIES SUBCLASS



LK-1850 SERIES SUBCLASS

No.	Parts No.	Parts name	Remarks	Level	Cons	Qty
1	MDP500B2100	NEEDLE DPX5 #21				1
2	13519004	TENSION SPRING				1
3	13543202	FEED CAM				1
4	13510862	WORM ASM.				1
5	SS7111410TP	SCREW 11/64-40 L=14		*		4
6	13538301	STOP-MOTION REGULATING CAM				1
7	13510953	FEED CAM DRIVING WHEEL ASM.				1
8	D1818282N00	SHUTTLE				1
9	D1817282N00	SHUTTLE RACE RING, THICK NEEDLE				1
10	B242628000C	NEEDLE PLATE NEEDLE HOLE GUIDE				1
11	B23022050A0	TENSION CONTROLLER NO.2 ASM.				1
12	D3112L4BB00	TAKE-UP SPRING (HEAVY)		*		1
13	B3129053000	TENSION SPRING		*		1
14	13510862	WORM ASM.				1
15	SS7111410TP	SCREW 11/64-40 L=14		*		4
16	13510953	FEED CAM DRIVING WHEEL ASM.				1
17	13564901	FEED CAM 1852-210				1
18	13538301	STOP-MOTION REGULATING CAM				1

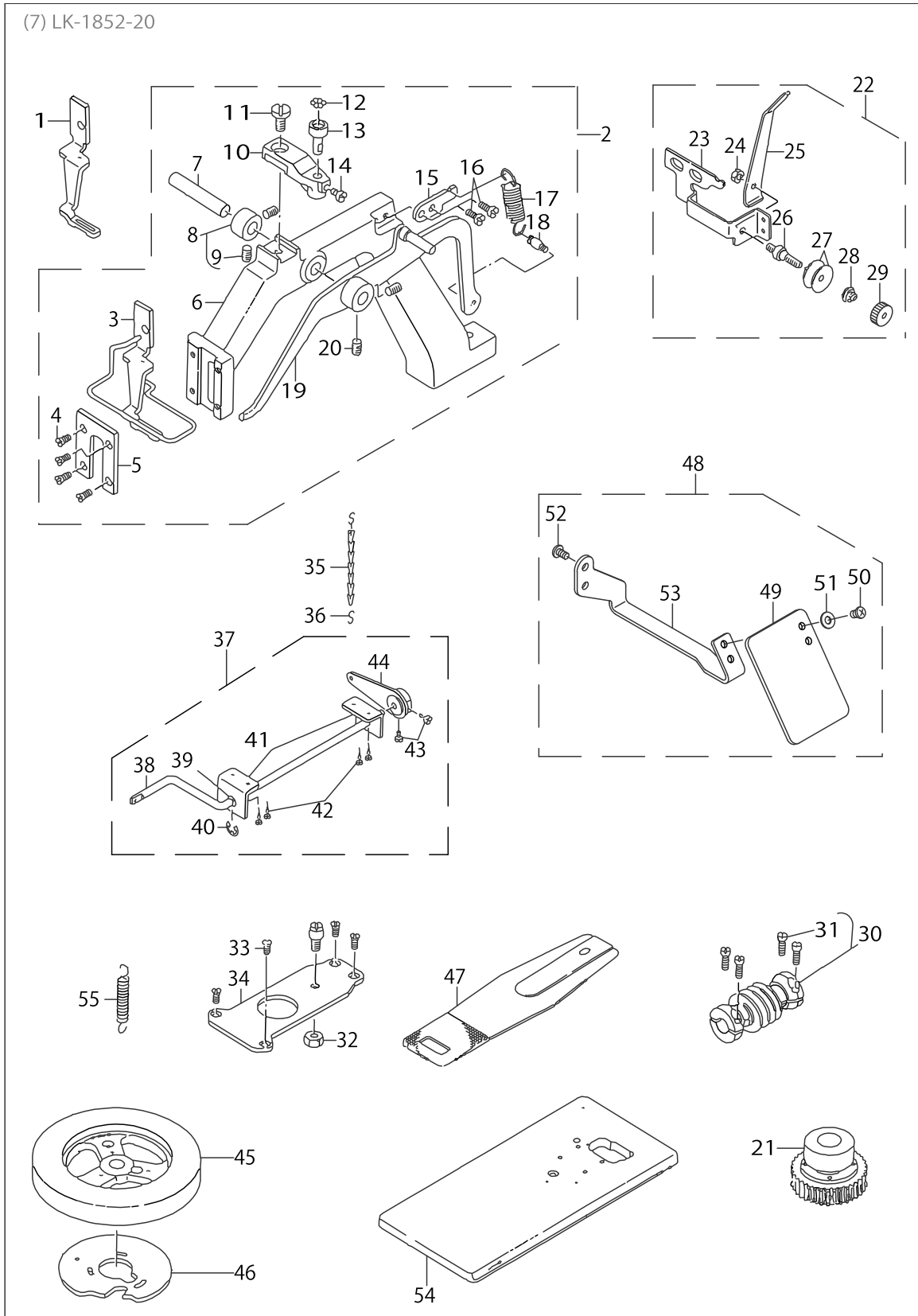
LK-1850 SERIES SUBCLASS



LK-1850 SERIES SUBCLASS

No.	Parts No.	Parts name	Remarks	Level	Cons	Qty
1	13544416	CLOTH PRESSER FOOT				1
2	13543764	CLOTH FEED BASE ASM.				1
3	13544465	CLOTH PRESSER FOOT ASM.		*		1
4	SS7120910SP	SCREW 3/16-28 L=9		*		4
5	13544614	CLOTH FEED BASE COVER		*		1
6	13543715	CLOTH FEED BASE		*		1
7	B2539280000	STUD		*		1
8	CS087101BSH	THRUST COLLAR ASM. D=8.73 W=10		*		1
9	SS8150822TP	SCREW 15/64-28 L=8		*		2
10	13543806	BALL HOLDER		*		1
11	SS7151210SP	SCREW 15/64-28 L=12		*		1
12	B2549280000	WORK CLAMP FOOT MOUNTING BASE		*		7
13	B2548280000	BALL RETAINER		*		1
14	SS7110740TP	SCREW 11/64-40 L=7		*		1
15	13543905	SPRING SUSPENSION		*		1
16	SS6120940SP	SCREW 3/16-28 L=9		*		2
17	13544705	SPRING		*		1
18	B3413552000	SUSPENSION SCREW		*		1
19	13544051	LIFTING LEVER ASM.		*		1
20	SS8150822TP	SCREW 15/64-28 L=8		*		2
21	13510953	FEED CAM DRIVING WHEEL ASM.				1
22	40038080	THREAD GUIDE BRACKET ASM.				1
23	26203406	THREAD GUIDE BRACKET		*		1
24	NS6110310SP	NUT 11/64-40		*		1
25	40038078	THREAD GUIDE		*		1
26	26216705	BOBBIN WINDER TENSION POST		*		1
27	22945802	THREAD TENSION DISK		*		2
28	26216606	BOBBIN WINDER TENSION SPRING		*		1
29	26216507	BOBBIN WINDER TENSION NUT		*		1
30	13510862	WORM ASM.				1
31	SS7111410TP	SCREW 11/64-40 L=14		*		4
32	NS6150540SP	NUT 15/64-28				1
33	SS2110930SP	SCREW 11/64-40 L=8.5				4
34	13543509	FEED PLATE HOLDER				1
35	40060887	CHAIN				1
36	13160304	S SHAPED HOOK				2
37	13544952	PEDAL LEVER ASM.				1
38	13544903	PEDAL SHAFT		*		1
39	WP1021016SD	WASHER		*		1
40	RE0900000K0	E-RING 9		*		1
41	13545009	PEDAL SHAFT BRACKET		*		2
42	SK3483200SE	WOOD SCREW D=4.8 L=32		*		4
43	SS6661110SP	SCREW 1/4-40 L=11		*		2
44	13545157	PEDAL LEVER ASM. (BELT LOOP)		*		1
45	13545306	FEED CAM				1
46	13538301	STOP-MOTION REGULATING CAM				1
47	13543608	FEED PLATE				1

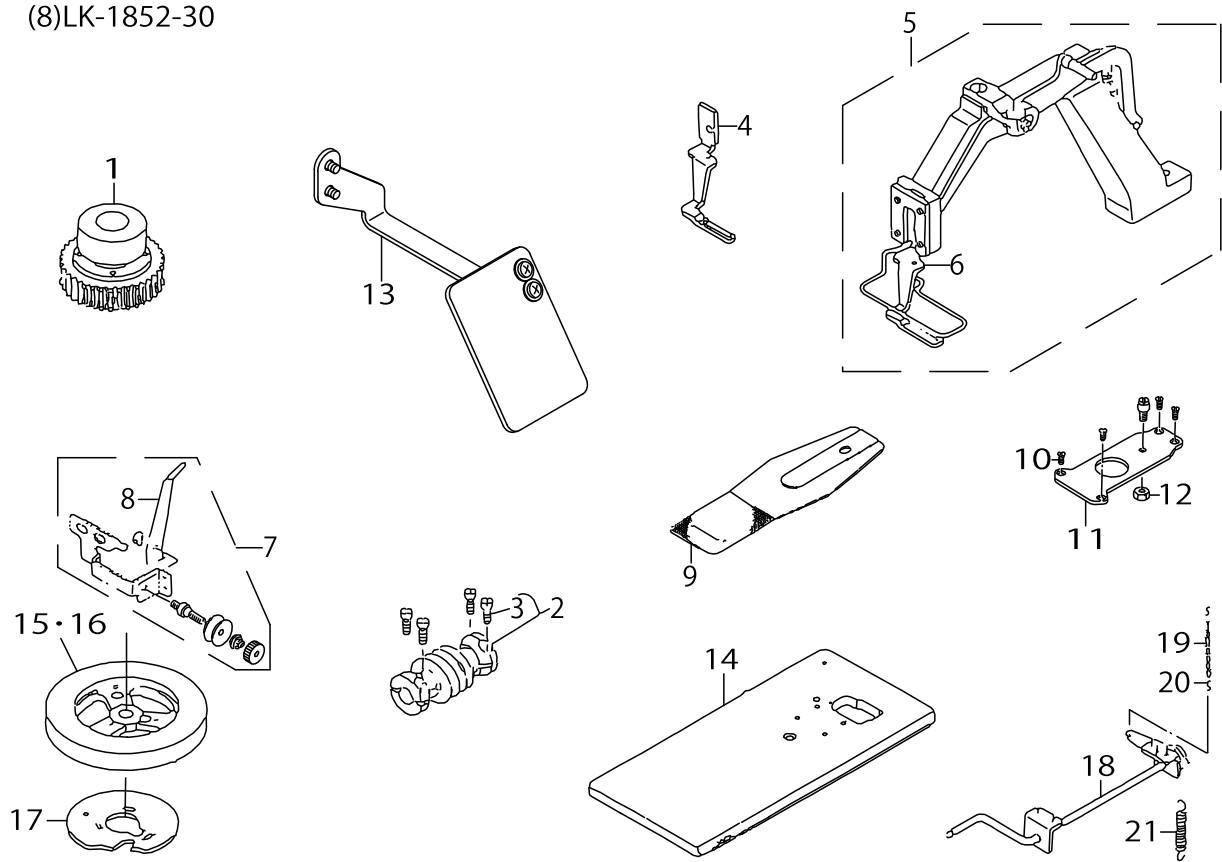
LK-1850 SERIES SUBCLASS



LK-1850 SERIES SUBCLASS

No.	Parts No.	Parts name	Remarks	Level	Cons	Qty
48	40052815	SAFETY PLATE ASM.				1
49	13889407	SAFETY PLATE		*		1
50	SM4040655SP	SCREW M4 L=6		*		2
51	WP0450801SD	WASHER 4.5X10X0.8		*		2
52	SS4110715SP	SCREW 11/64-40 L=7		*		2
53	40052810	SAFETY PLATE INSTALLING BASE		*		1
54	13509401	TABLE (FOR BELT LOOP)				1
55	13522503	TENSION SPRING				1

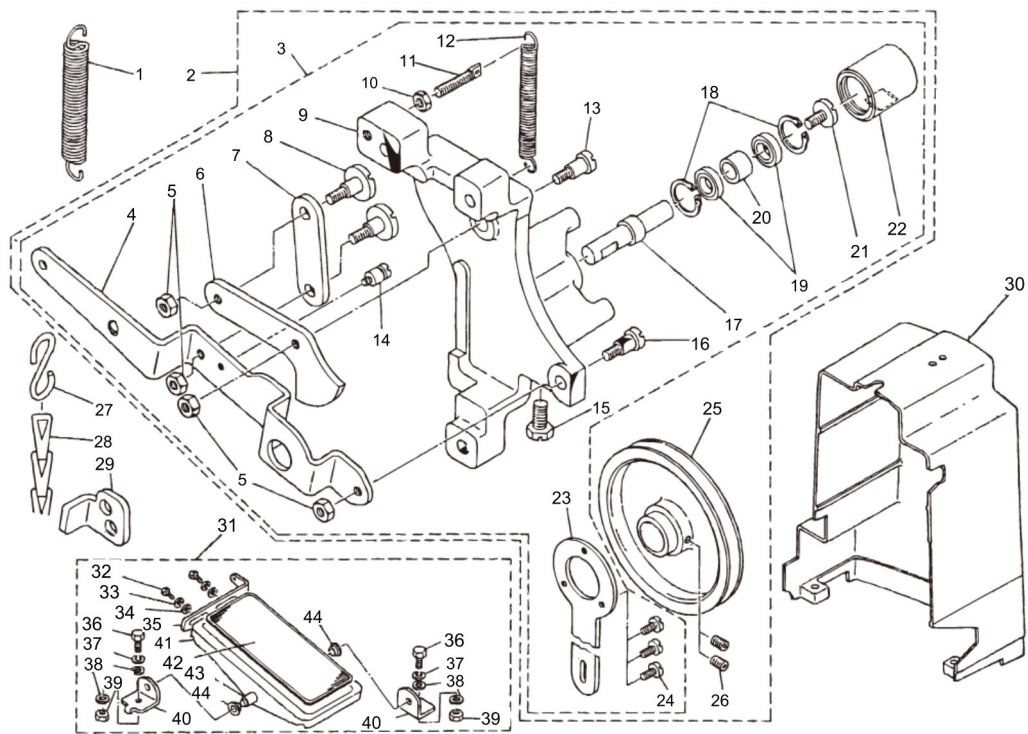
(8)LK-1852-30



LK-1850 SERIES SUBCLASS

No.	Parts No.	Parts name	Remarks	Level	Cons	Qty
1	13510953	FEED CAM DRIVING WHEEL ASM.				1
2	13510862	WORM ASM.				1
3	SS7111410TP	SCREW 11/64-40 L=14		*		4
4	13545611	CLOTH PRESSER FOOT				1
5	13551569	CLOTH FEED BASE (ASM.)				1
6	13545660	WORK CLAMP FOOT ASM.		*		1
7	40038080	THREAD GUIDE BRACKET ASM.	THE PARTS ARE THE SAME AS THOSE FOR LK-1852-20.			1
8	40038078	THREAD GUIDE		*		1
9	13545504	FEED PLATE				1
10	SS2110930SP	SCREW 11/64-40 L=8.5	THE PARTS ARE THE SAME AS THOSE FOR LK-1852-20.			4
11	13543509	FEED PLATE HOLDER	THE PARTS ARE THE SAME AS THOSE FOR LK-1852-20.			1
12	NS6150540SP	NUT 15/64-28	THE PARTS ARE THE SAME AS THOSE FOR LK-1852-20.			1
13	40052815	SAFETY PLATE ASM.				1
14	13509401	TABLE (FOR BELT LOOP)				1
15	13554100	FEED CAM				1
16	13554100	FEED CAM	SPECIAL ORDER PARTS			1
17	13538301	STOP-MOTION REGULATING CAM				1
18	13544952	PEDAL LEVER ASM.	THE PARTS ARE THE SAME AS THOSE FOR LK-1852-20.			1
19	40060887	CHAIN	THE PARTS ARE THE SAME AS THOSE FOR LK-1852-20.			1
20	13160304	S SHAPED HOOK	THE PARTS ARE THE SAME AS THOSE FOR LK-1852-20.			2
21	13522503	TENSION SPRING				1

LK-1850 SERIES SUBCLASS

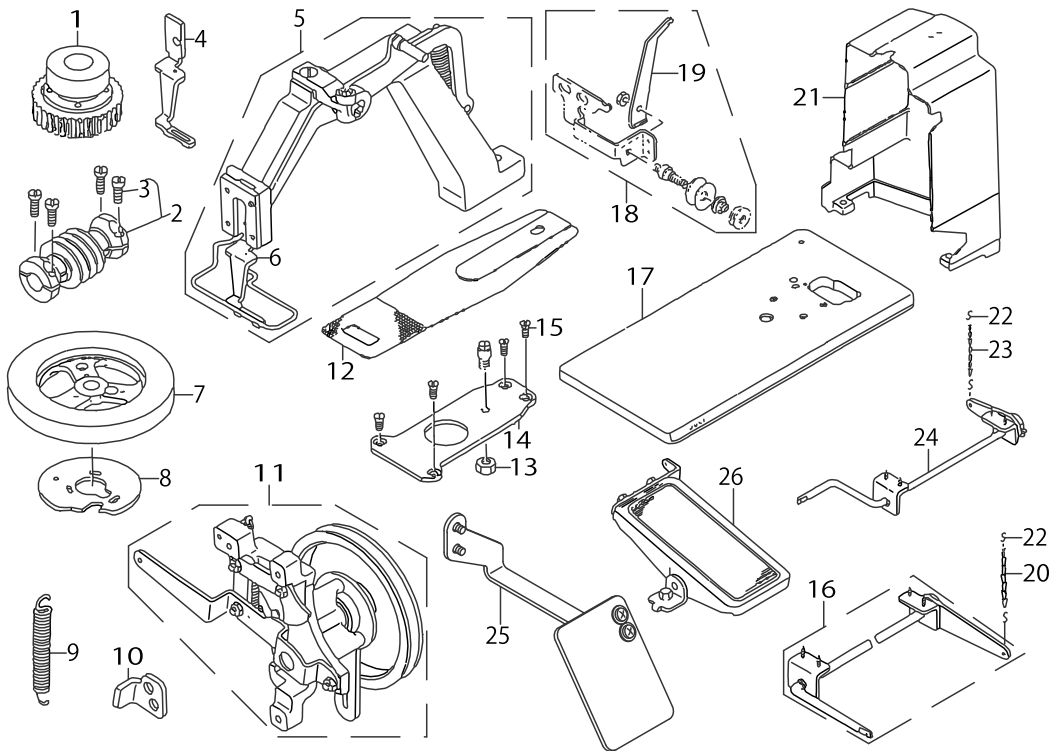


LK-1850 SERIES SUBCLASS

No.	Parts No.	Parts name	Remarks	Level	Cons	Qty
1	13547500	STOP-MOTION SPRING				1
2	13545959	PEDAL TYPE PRESSER ASM.				1
3	13545967	PEDAL TYPE PRESSER ASM.		*		1
4	13546007	LOWERING LEVER		*		1
5	NS6110350SP	NUT 11/64-40		*		4
6	13546106	LOWERING LINK		*		1
7	13546205	LOWERING CONNECTING PLATE		*		1
8	SD0640324TP	HINGE SCREW D= 6.35 H= 3.2		*		2
9	13545900	INSTALLING BASE		*		1
10	NS6110310SP	NUT 11/64-40		*		1
11	B1649161000	TENSION SPRING ADJUSTING SCREW		*		1
12	13521307	TENSION SPRING		*		1
13	SD0640801TP	HINGE SCREW D= 6.35 H= 8.0		*		1
14	B2007372000	NIPPER BAR SPRING SCREW		*		1
15	SS9151210TP	SCREW 15/64-28 L=11.8		*		1
16	SD0640801TP	HINGE SCREW D= 6.35 H= 8.0		*		1
17	13546403	PULLEY SHAFT		*		1
18	RC1831018K0	RETAINING RING		*		2
19	SB109000200	BALL BEARING		*		2
20	13547401	PULLEY SHAFT COLLAR		*		1
21	SS6121030SP	SCREW 3/16-28 L=10		*		1
22	13546502	PULLEY BUSHING		*		1
23	13525308	IDLER PULLEY INSTALLING PLATE		*		1
24	SS6110810TP	SCREW 11/64-40 L=8		*		3
25	13523204	DRIVING PULLEY		*		1
26	SS8150822TP	SCREW 15/64-28 L=8		*		2
27	13160304	S SHAPED HOOK				1
28	26037903	CHAIN				1
29	13546601	SAFETY PLATE				1
30	13505904	BELT COVER				1
31	13817754	Z-STAND PEDAL ASM.	THIS PARTS IS USED FOR A MACHINE WITH TABLE.			1
32	SM9061203SE	SCREW M6 L=12		*		2
33	WS0621210KR	SPRING WASHER 6.2X11.4X1.2		*		2
34	WP0671016SE	WASHER 6.7X13X1		*		2
35	B8125280000	PEDAL ADJUSTING PLATE		*		1
36	SM9082023SE	SCREW M8 L=20		*		2
37	WS0861410KR	SPRING WASHER 8.6X15X1.4		*		2
38	WP0871602SE	WASHER 8.7X18X1.6		*		4
39	NM6080721SE	NUT M8		*		2
40	D8114555B0E	PEDAL SHAFT BRACKET		*		1
41	B8151771000	PEDAL		*		1
42	B8152771000	PEDAL MAT		*		1
43	B8153771000	PEDAL CONNECTING ROD		*		1
44	D8113555B00	PEDAL BUSHING		*		2

LK-1850 SERIES SUBCLASS

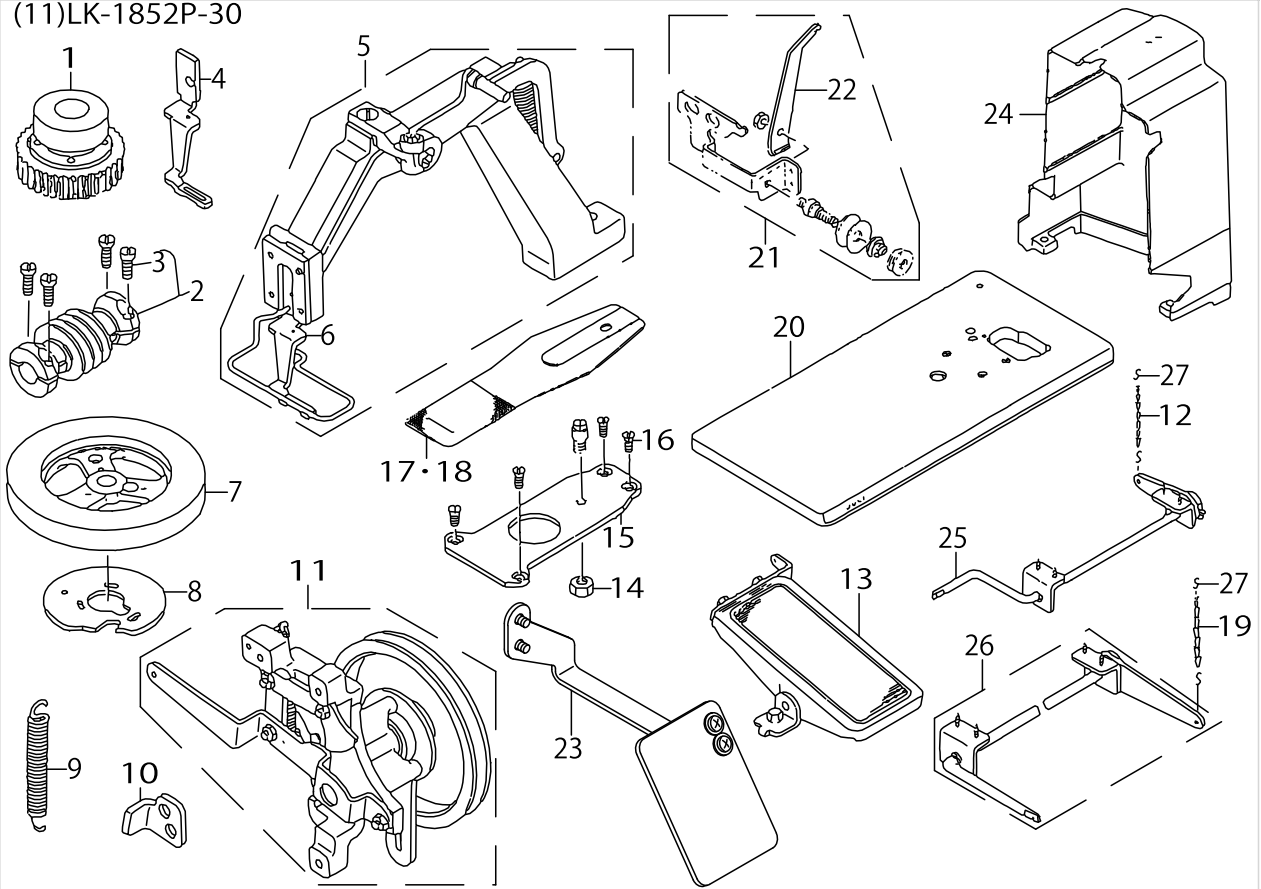
(10) LK-1852P-20



LK-1850 SERIES SUBCLASS

No.	Parts No.	Parts name	Remarks	Level	Cons	Qty
1	13510953	FEED CAM DRIVING WHEEL ASM.				1
2	13510862	WORM ASM.				1
3	SS7111410TP	SCREW 11/64-40 L=14		*		4
4	13544416	CLOTH PRESSER FOOT				1
5	13543764	CLOTH FEED BASE ASM.				1
6	13544465	CLOTH PRESSER FOOT ASM.		*		1
7	13545306	FEED CAM				1
8	13538301	STOP-MOTION REGULATING CAM				1
9	13547500	STOP-MOTION SPRING	THE PARTS ARE THE SAME AS THOSE FOR LK-1850-P.			1
10	13546601	SAFETY PLATE	THE PARTS ARE THE SAME AS THOSE FOR LK-1850-P.			1
11	13545959	PEDAL TYPE PRESSER ASM.	THE PARTS ARE THE SAME AS THOSE FOR LK-1850-P.			1
12	13543608	FEED PLATE				1
13	NS6150540SP	NUT 15/64-28				1
14	13543509	FEED PLATE HOLDER				1
15	SS2110930SP	SCREW 11/64-40 L=8.5				4
16	13547658	PEDAL SHAFT ASM.				1
17	13509401	TABLE (FOR BELT LOOP)				1
18	40038080	THREAD GUIDE BRACKET ASM.				1
19	40038078	THREAD GUIDE		*		1
20	D8103984K00	CHAIN				1
21	13505904	BELT COVER				1
22	13160304	S SHAPED HOOK				4
23	40060887	CHAIN				1
24	13544952	PEDAL LEVER ASM.				1
25	40052815	SAFETY PLATE ASM.				1
26	13817754	Z-STAND PEDAL ASM.				1

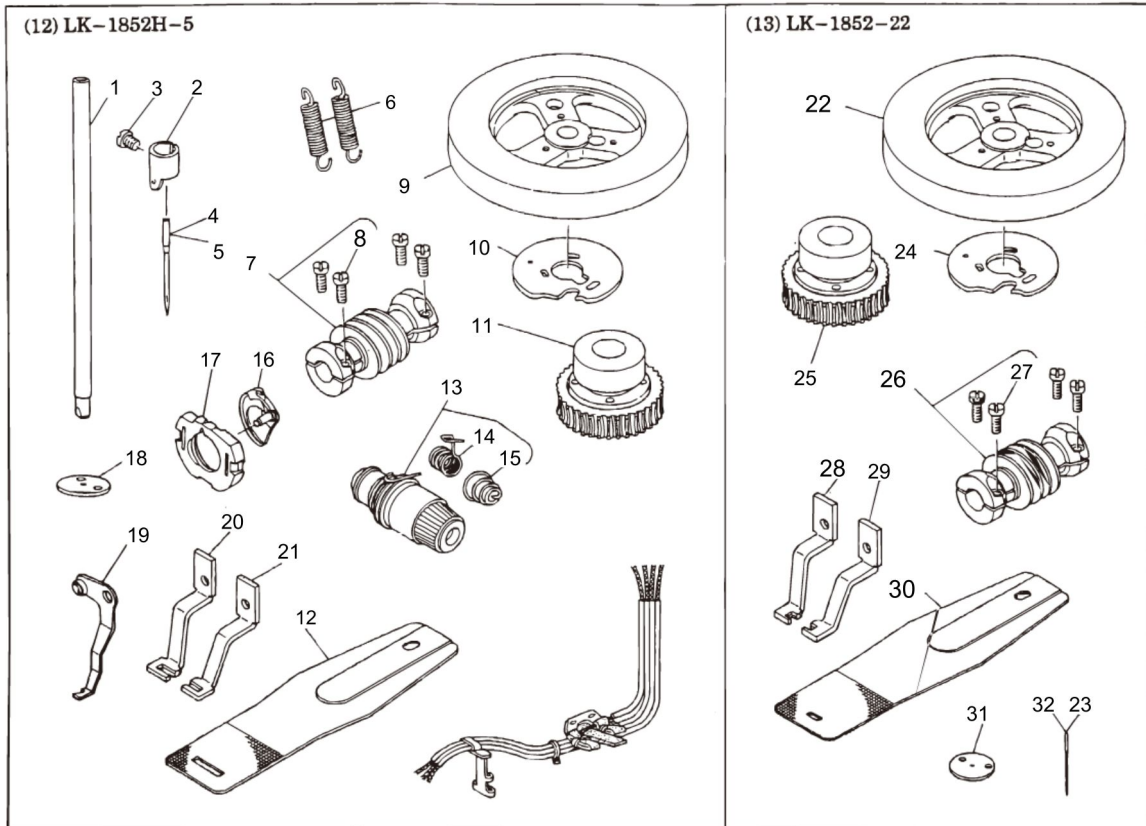
(11)LK-1852P-30



LK-1850 SERIES SUBCLASS

No.	Parts No.	Parts name	Remarks	Level	Cons	Qty
1	13510953	FEED CAM DRIVING WHEEL ASM.				1
2	13510862	WORM ASM.				1
3	SS7111410TP	SCREW 11/64-40 L=14		*		4
4	13545611	CLOTH PRESSER FOOT				1
5	13551569	CLOTH FEED BASE (ASM.)				1
6	13545660	WORK CLAMP FOOT ASM.		*		1
7	13554100	FEED CAM				1
8	13538301	STOP-MOTION REGULATING CAM				1
9	13547500	STOP-MOTION SPRING	THE PARTS ARE THE SAME AS THOSE FOR LK-1850-P.			1
10	13546601	SAFETY PLATE	THE PARTS ARE THE SAME AS THOSE FOR LK-1850-P.			1
11	13545959	PEDAL TYPE PRESSER ASM.	THE PARTS ARE THE SAME AS THOSE FOR LK-1850-P.			1
12	40060887	CHAIN	THE PARTS ARE THE SAME AS THOSE FOR LK-1852P-20.			1
13	13817754	Z-STAND PEDAL ASM.				1
14	NS6150540SP	NUT 15/64-28	THE PARTS ARE THE SAME AS THOSE FOR LK-1852P-20.			1
15	13543509	FEED PLATE HOLDER	THE PARTS ARE THE SAME AS THOSE FOR LK-1852P-20.			1
16	SS2110930SP	SCREW 11/64-40 L=8.5	THE PARTS ARE THE SAME AS THOSE FOR LK-1852P-20.			4
17	13545504	FEED PLATE				1
18	13545504	FEED PLATE	FOR HEAVY WEIGHT MATERIAL (SPECIAL ORDER)			1
19	D8103984K00	CHAIN	THE PARTS ARE THE SAME AS THOSE FOR LK-1852P-20.			1
20	13509401	TABLE (FOR BELT LOOP)				1
21	40038080	THREAD GUIDE BRACKET ASM.	THE PARTS ARE THE SAME AS THOSE FOR LK-1852P-20.			1
22	40038078	THREAD GUIDE		*		1
23	40052815	SAFETY PLATE ASM.				1
24	13505904	BELT COVER				1
25	13544952	PEDAL LEVER ASM.	THE PARTS ARE THE SAME AS THOSE FOR LK-1852P-20.			1
26	13547658	PEDAL SHAFT ASM.	THE PARTS ARE THE SAME AS THOSE FOR LK-1852P-20.			1
27	13160304	S SHAPED HOOK	THE PARTS ARE THE SAME AS THOSE FOR LK-1852P-20.			4

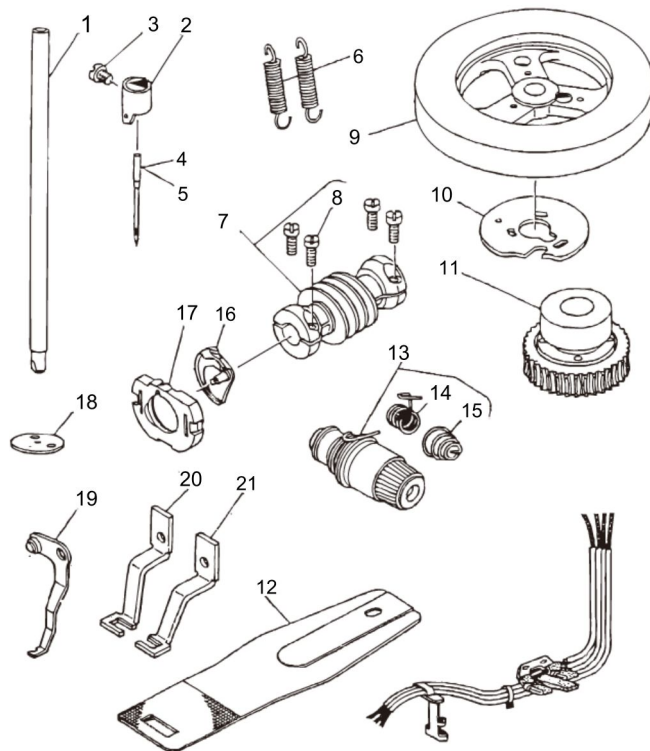
LK-1850 SERIES SUBCLASS



LK-1850 SERIES SUBCLASS

No.	Parts No.	Parts name	Remarks	Level	Cons	Qty
1	D1401L7VV00	NEEDLE BAR				1
2	D1405L7AM00	NEEDLE BAR THREAD GUIDE				1
3	SS7080510TP	SCREW 1/8-44 L=4.5				1
4	MDI300B2300	NEEDLE DIX3 #23				1
5	MC351501600	NEEDLE	FOR JE			1
6	13519004	TENSION SPRING				2
7	13510854	FEED CAM DRIVING WORM ASM.				1
8	SS7111410TP	SCREW 11/64-40 L=14		*		4
9	13550702	FEED CAM				1
10	13539705	STOP-MOTION REGULATING CAM				1
11	13510953	FEED CAM DRIVING WHEEL ASM.				1
12	13548409	FEED PLATE				1
13	B23022050A0	TENSION CONTROLLER NO.2 ASM.				1
14	D3112L4BB00	TAKE-UP SPRING (HEAVY)		*		1
15	B3129053000	TENSION SPRING		*		1
16	D1818282N00	SHUTTLE				1
17	D1817282N00	SHUTTLE RACE RING, THICK NEEDLE				1
18	B242628000C	NEEDLE PLATE NEEDLE HOLE GUIDE				1
19	D2101L7AMA0	WIPER ASM.				1
20	13548508	WORK CLAMP FOOT. RIGHT				1
21	13548607	WORK CLAMP FOOT. LEFT				1
22	13550504	FEED CAM				1
23	MC200500750	NEEDLE 134 NM75	FOR JE			1
24	13539002	STOP-MOTION REGULATING CAM				1
25	13510953	FEED CAM DRIVING WHEEL ASM.				1
26	13510854	FEED CAM DRIVING WORM ASM.				1
27	SS7111410TP	SCREW 11/64-40 L=14		*		4
28	13542907	WORK CLAMP FOOT, RIGHT				1
29	13543004	WORK CLAMP FOOT, LEFT				1
30	13542808	FEED PLATE				1
31	D2426282C00	NEEDLE HOLE GUIDE				1
32	MDP500B1100	NEEDLE DPX5 #11				1

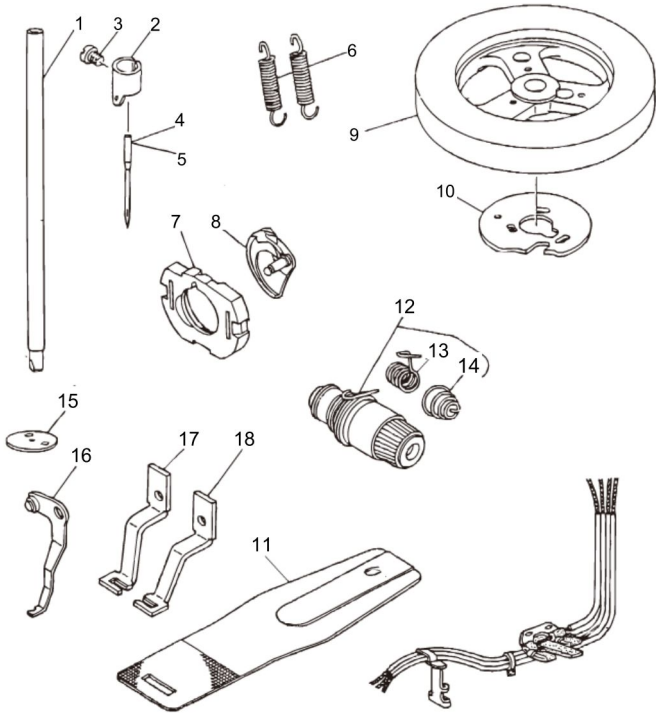
LK-1850 SERIES SUBCLASS



LK-1850 SERIES SUBCLASS

No.	Parts No.	Parts name	Remarks	Level	Cons	Qty
1	D1401L7VV00	NEEDLE BAR				1
2	D1405L7AM00	NEEDLE BAR THREAD GUIDE				1
3	SS7080510TP	SCREW 1/8-44 L=4.5				1
4	MDI300B2300	NEEDLE DIX3 #23				1
5	MC351501600	NEEDLE	FOR JE			1
6	13519004	TENSION SPRING				2
7	13510854	FEED CAM DRIVING WORM ASM.				1
8	SS7111410TP	SCREW 11/64-40 L=14		*		4
9	13550702	FEED CAM				1
10	13539705	STOP-MOTION REGULATING CAM				1
11	13510953	FEED CAM DRIVING WHEEL ASM.				1
12	13554209	FEED PLATE				1
13	B23022050A0	TENSION CONTROLLER NO.2 ASM.				1
14	D3112L4BB00	TAKE-UP SPRING (HEAVY)		*		1
15	B3129053000	TENSION SPRING		*		1
16	D1818282N00	SHUTTLE				1
17	D1817282N00	SHUTTLE RACE RING, THICK NEEDLE				1
18	D2426MMCK00	NEEDLE HOLE GUIDE				1
19	D2101L7AMA0	WIPER ASM.				1
20	13554308	WORK CLAMP FOOT. RIGHT				1
21	13554407	WORK CLAMP FOOT. LEFT				1

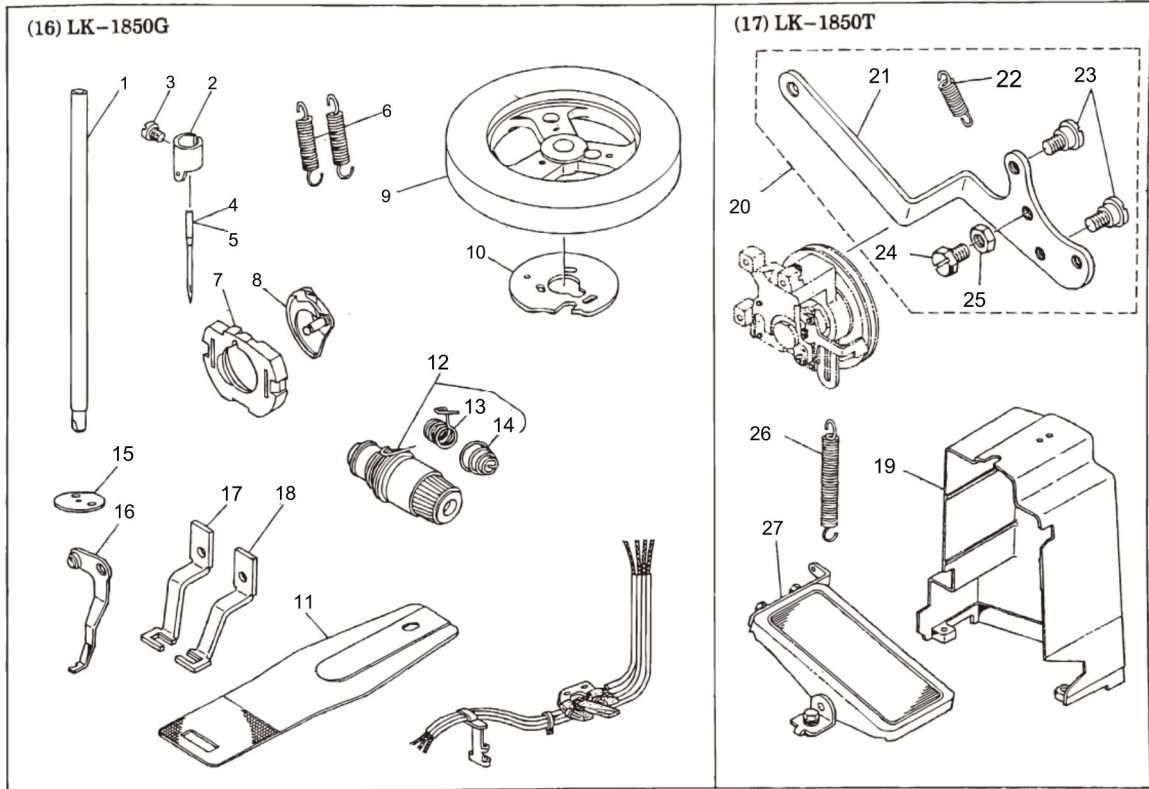
LK-1850 SERIES SUBCLASS



LK-1850 SERIES SUBCLASS

No.	Parts No.	Parts name	Remarks	Level	Cons	Qty
1	D1401L7VV00	NEEDLE BAR				1
2	D1405L7AM00	NEEDLE BAR THREAD GUIDE				1
3	SS7080510TP	SCREW 1/8-44 L=4.5				1
4	MDI300B2300	NEEDLE DIX3 #23				1
5	MC351501600	NEEDLE	FOR JE			1
6	13519004	TENSION SPRING				2
7	D1817282N00	SHUTTLE RACE RING, THICK NEEDLE				1
8	D1818282N00	SHUTTLE				1
9	13551403	FEED CAM				1
10	13539606	STOP-MOTION REGULATING CAM				1
11	13548409	FEED PLATE				1
12	B23022050A0	TENSION CONTROLLER NO.2 ASM.				1
13	D3112L4BB00	TAKE-UP SPRING (HEAVY)		*		1
14	B3129053000	TENSION SPRING		*		1
15	B242628000C	NEEDLE PLATE NEEDLE HOLE GUIDE				1
16	D2101L7AMA0	WIPER ASM.				1
17	13548508	WORK CLAMP FOOT. RIGHT				1
18	13548607	WORK CLAMP FOOT. LEFT				1

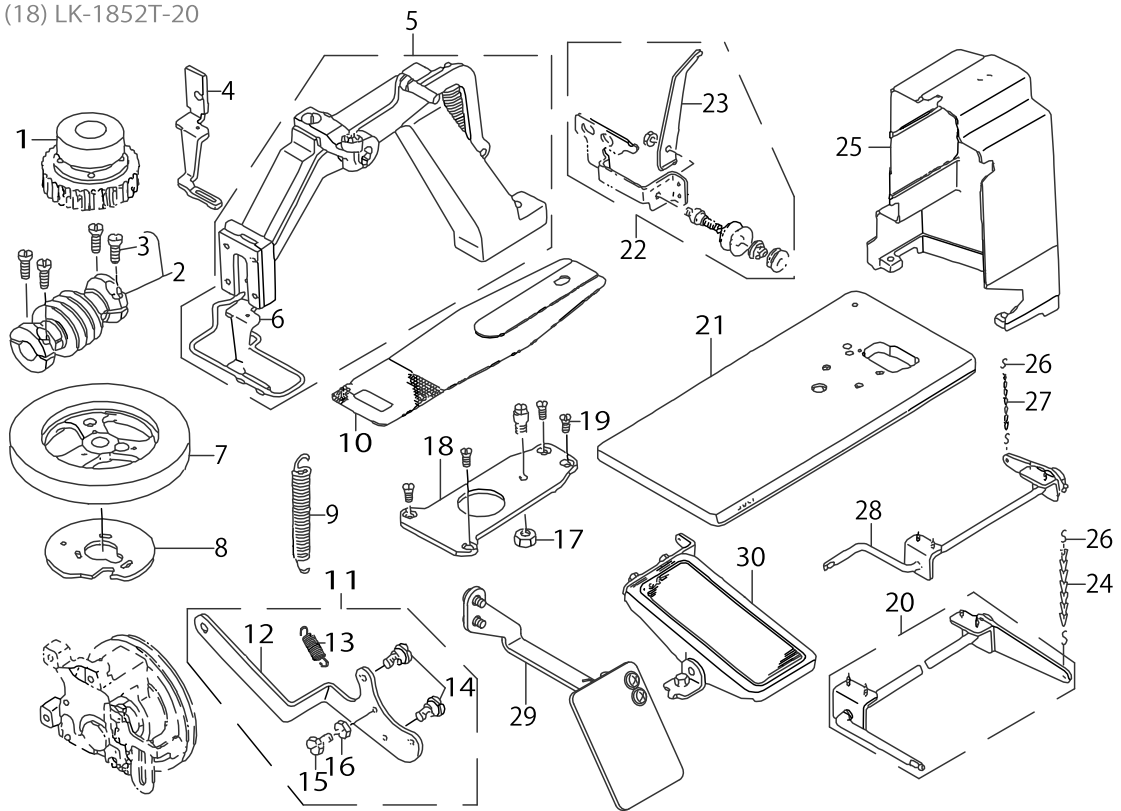
LK-1850 SERIES SUBCLASS



LK-1850 SERIES SUBCLASS

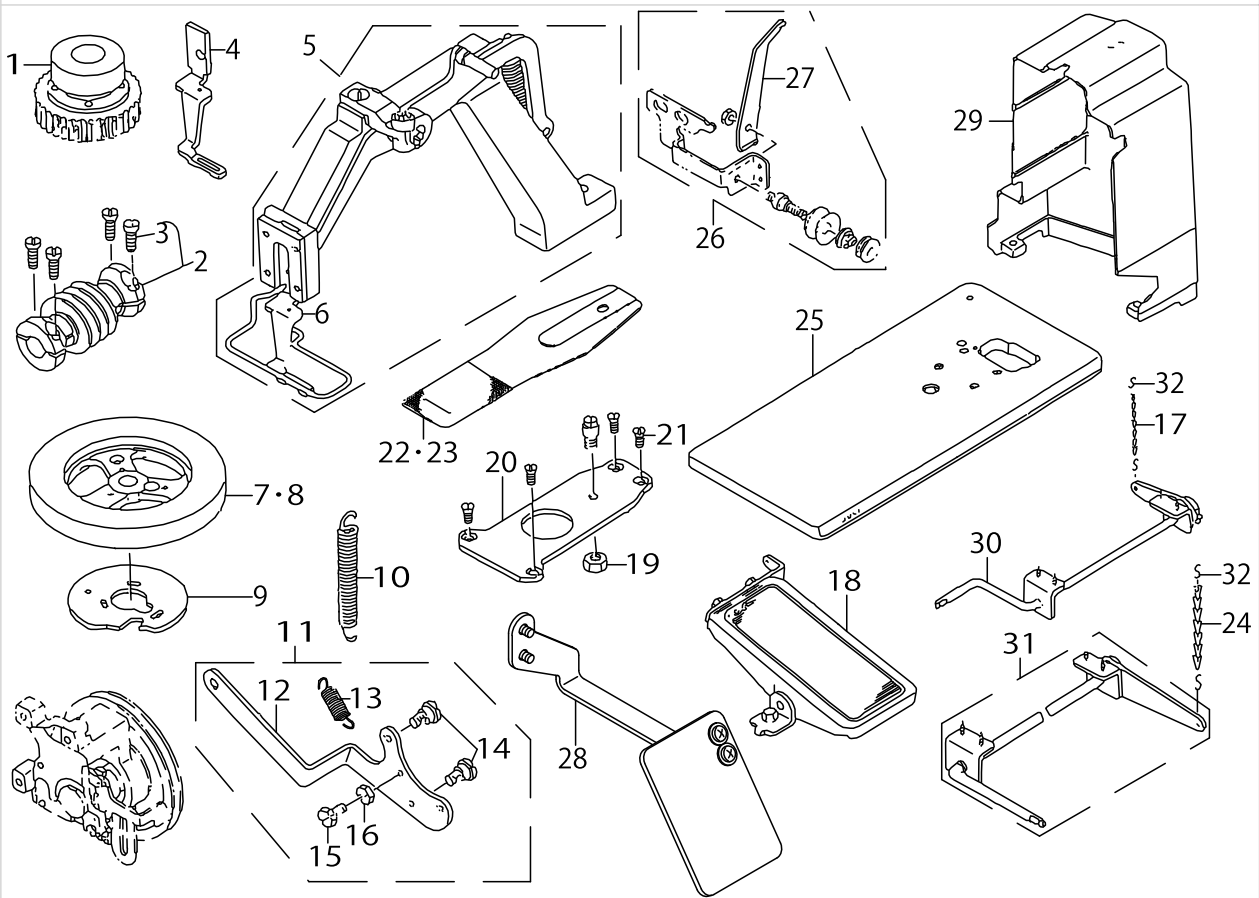
No.	Parts No.	Parts name	Remarks	Level	Cons	Qty
1	D1401L7VV00	NEEDLE BAR				1
2	D1405L7AM00	NEEDLE BAR THREAD GUIDE				1
3	SS7080510TP	SCREW 1/8-44 L=4.5				1
4	MDI300B2300	NEEDLE DIX3 #23				1
5	MC351501600	NEEDLE	FOR JE			1
6	13519004	TENSION SPRING				2
7	D1817282N00	SHUTTLE RACE RING, THICK NEEDLE				1
8	D1818282N00	SHUTTLE				1
9	13551403	FEED CAM				1
10	13539606	STOP-MOTION REGULATING CAM				1
11	13554209	FEED PLATE				1
12	B23022050A0	TENSION CONTROLLER NO.2 ASM.				1
13	D3112L4BB00	TAKE-UP SPRING (HEAVY)		*		1
14	B3129053000	TENSION SPRING		*		1
15	D2426MMCK00	NEEDLE HOLE GUIDE				1
16	D2101L7AMA0	WIPER ASM.				1
17	13554308	WORK CLAMP FOOT. RIGHT				1
18	13554407	WORK CLAMP FOOT. LEFT				1
19	13505904	BELT COVER				1
20	13526058	LIFTING LEVER ASM. T				1
21	13526009	LIFTING LEVER. T		*		1
22	13525803	LEVER SPRING. T		*		1
23	SD0720331SP	HINGE SCREW D= 7.24 H= 3.3		*		2
24	SS9150730SP	SCREW 15/64-28 L=7		*		1
25	NS6150350SP	NUT 15/64-28		*		1
26	13547500	STOP-MOTION SPRING				1
27	13817754	Z-STAND PEDAL ASM.				1

(18) LK-1852T-20



LK-1850 SERIES SUBCLASS

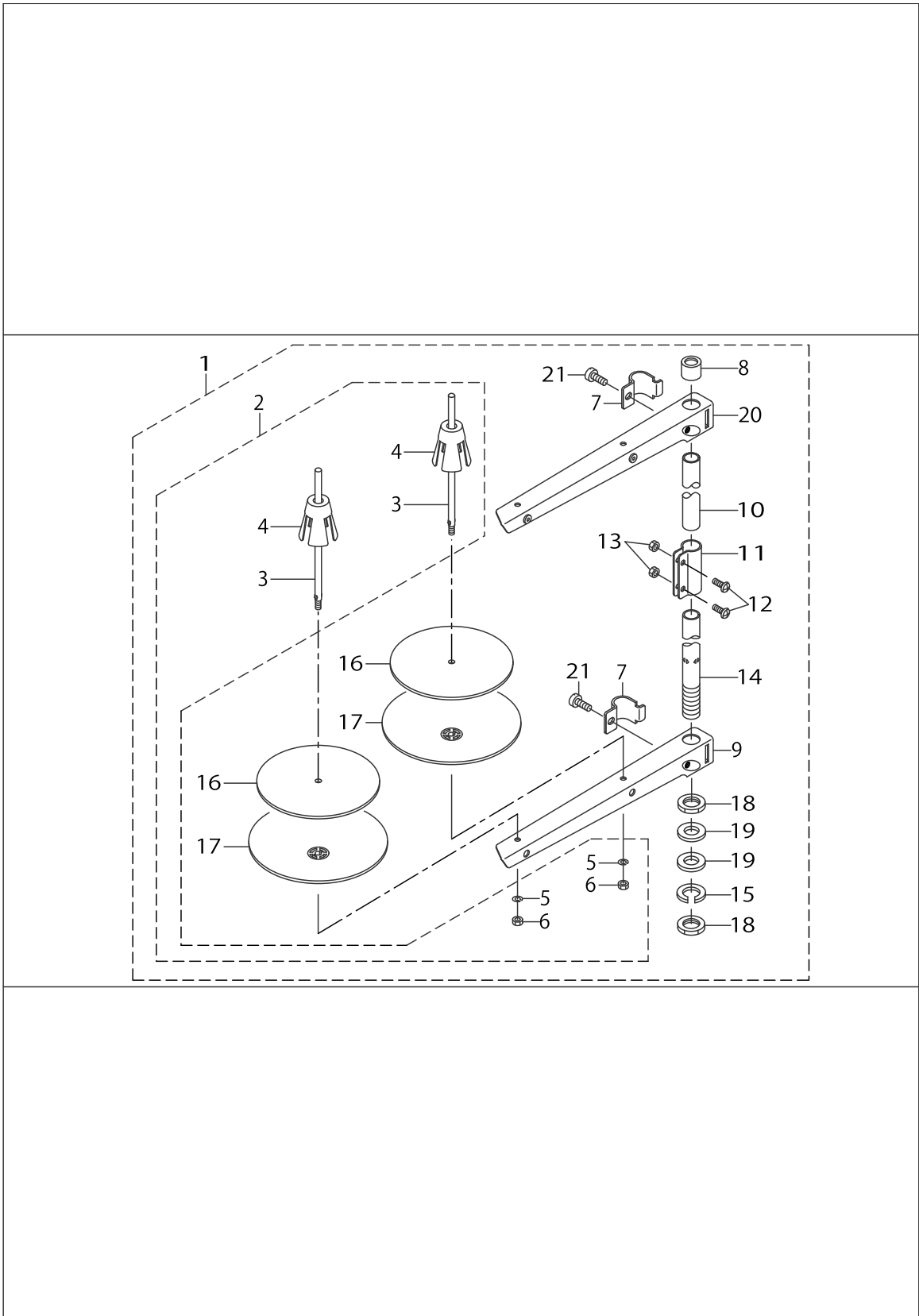
No.	Parts No.	Parts name	Remarks	Level	Cons	Qty
1	13510953	FEED CAM DRIVING WHEEL ASM.				1
2	13510854	FEED CAM DRIVING WORM ASM.				1
3	SS7111410TP	SCREW 11/64-40 L=14		*		4
4	13544416	CLOTH PRESSER FOOT	THE PARTS ARE THE SAME AS THOSE FOR LK-1852T-20.			1
5	13543764	CLOTH FEED BASE ASM.	THE PARTS ARE THE SAME AS THOSE FOR LK-1852T-20.			1
6	13544465	CLOTH PRESSER FOOT ASM.		*		1
7	13545306	FEED CAM				1
8	13538301	STOP-MOTION REGULATING CAM				1
9	13547500	STOP-MOTION SPRING	THE PARTS ARE THE SAME AS THOSE FOR LK-1850-T.			1
10	13543608	FEED PLATE	THE PARTS ARE THE SAME AS THOSE FOR LK-1852T-20.			1
11	13526058	LIFTING LEVER ASM. T	THE PARTS ARE THE SAME AS THOSE FOR LK-1850-T.			1
12	13526009	LIFTING LEVER. T		*		1
13	13525803	LEVER SPRING. T		*		1
14	SD0720331SP	HINGE SCREW D= 7.24 H= 3.3		*		2
15	SS9150730SP	SCREW 15/64-28 L=7		*		1
16	NS6150350SP	NUT 15/64-28		*		1
17	NS6150540SP	NUT 15/64-28	THE PARTS ARE THE SAME AS THOSE FOR LK-1852T-20.			1
18	13543509	FEED PLATE HOLDER	THE PARTS ARE THE SAME AS THOSE FOR LK-1852T-20.			1
19	SS2110930SP	SCREW 11/64-40 L=8.5	THE PARTS ARE THE SAME AS THOSE FOR LK-1852T-20.			4
20	13547658	PEDAL SHAFT ASM.	THE PARTS ARE THE SAME AS THOSE FOR LK-1852T-20.			1
21	13509401	TABLE (FOR BELT LOOP)				1
22	40038080	THREAD GUIDE BRACKET ASM.	THE PARTS ARE THE SAME AS THOSE FOR LK-1852T-20.			1
23	40038078	THREAD GUIDE		*		1
24	D8103984K00	CHAIN	THE PARTS ARE THE SAME AS THOSE FOR LK-1852T-20.			1
25	13505904	BELT COVER				1
26	13160304	S SHAPED HOOK	THE PARTS ARE THE SAME AS THOSE FOR LK-1852T-20.			8
27	40060887	CHAIN	THE PARTS ARE THE SAME AS THOSE FOR LK-1852T-20.			1
28	13544952	PEDAL LEVER ASM.	THE PARTS ARE THE SAME AS THOSE FOR LK-1852T-20.			1
29	40052815	SAFETY PLATE ASM.				1
30	13817754	Z-STAND PEDAL ASM.				1



LK-1850 SERIES SUBCLASS

No.	Parts No.	Parts name	Remarks	Level	Cons	Qty
1	13510953	FEED CAM DRIVING WHEEL ASM.				1
2	13510854	FEED CAM DRIVING WORM ASM.				1
3	SS7111410TP	SCREW 11/64-40 L=14		*		4
4	13545611	CLOTH PRESSER FOOT				1
5	13551569	CLOTH FEED BASE (ASM.)				1
6	13545660	WORK CLAMP FOOT ASM.		*		1
7	13554100	FEED CAM				1
8	13554100	FEED CAM	SPECIAL ORDER PARTS			1
9	13538301	STOP-MOTION REGULATING CAM				1
10	13547500	STOP-MOTION SPRING	THE PARTS ARE THE SAME AS THOSE FOR LK-1850-T.			1
11	13526058	LIFTING LEVER ASM. T	THE PARTS ARE THE SAME AS THOSE FOR LK-1850-T.			1
12	13526009	LIFTING LEVER. T		*		1
13	13525803	LEVER SPRING. T		*		1
14	SD0720331SP	HINGE SCREW D= 7.24 H= 3.3		*		2
15	SS9150730SP	SCREW 15/64-28 L=7		*		1
16	NS6150350SP	NUT 15/64-28		*		1
17	40060887	CHAIN	THE PARTS ARE THE SAME AS THOSE FOR LK-1852T-20.			1
18	13817754	Z-STAND PEDAL ASM.				1
19	NS6150540SP	NUT 15/64-28	THE PARTS ARE THE SAME AS THOSE FOR LK-1852T-20.			1
20	13543509	FEED PLATE HOLDER	THE PARTS ARE THE SAME AS THOSE FOR LK-1852T-20.			1
21	SS2110930SP	SCREW 11/64-40 L=8.5	THE PARTS ARE THE SAME AS THOSE FOR LK-1852T-20.			4
22	13545801	FEED PLATE				1
23	13545504	FEED PLATE	FOR HEAVY WEIGHT MATERIAL (SPECIAL ORDER)			1
24	D8103984K00	CHAIN	THE PARTS ARE THE SAME AS THOSE FOR LK-1852T-20.			1
25	13509401	TABLE (FOR BELT LOOP)				1
26	40038080	THREAD GUIDE BRACKET ASM.	THE PARTS ARE THE SAME AS THOSE FOR LK-1852T-20.			1
27	40038078	THREAD GUIDE		*		1
28	40052815	SAFETY PLATE ASM.				1
29	13505904	BELT COVER				1
30	13544952	PEDAL LEVER ASM.	THE PARTS ARE THE SAME AS THOSE FOR LK-1852T-20.			1
31	13547658	PEDAL SHAFT ASM.	THE PARTS ARE THE SAME AS THOSE FOR LK-1852T-20.			1
32	13160304	S SHAPED HOOK	THE PARTS ARE THE SAME AS THOSE FOR LK-1852T-20.			8

THREAD STAND COMPONENTS



THREAD STAND COMPONENTS

No.	Parts No.	Parts name	Remarks	Level	Cons	Qty
1	22930358	THREAD STAND ASM.				1
2	40062684	SPOOL PIN ASM.		*		1
3	22931000	SPOOL PIN		*		2
4	22931109	SPOOL RETAINER		*		2
5	WS0510002KN	SPRING WASHER		*		2
6	NM6050001SE	NUT M5		*		2
7	22930705	THREAD GUIDE ARM JOINT		*		2
8	22931406	SPOOL REST ROD RUBBER CAP		*		1
9	22930507	SPOOL REST ARM		*		1
10	22930408	SPOOL REST ROD, UPPER		*		1
11	22931307	SPOOL REST ROD JOINT		*		1
12	SM4051405SE	SCREW M5 L=14		*		2
13	NM6050001SE	NUT M5		*		2
14	22930309	SPOOL REST ROD, LOWER		*		1
15	WS1643202KR	SPRING WASHER		*		1
16	22930903	SPOOL REST CUSHION		*		2
17	22930804	SPOOL REST		*		2
18	NM6160511SE	NUT M16X1.5		*		2
19	WP1612616SE	WASHER 16X30X2.6		*		2
20	22930556	THREAD STANDING ARM ASM.		*		1
21	SM6061610SC	SCREW M6 L=16		*		2

HOW TO MAKE USE OF THIS PARTS LIST

1.Explanation of codes

1)"*"mark.....means this part is changed from the previous parts book.

As to the details of the change, refer to the "List for information of change".

2)"#01".....refer to "Note" explanation at bottom of page.

2.Codes on the "Qty" column

• Each numeral indicates the number of parts required.

• "0.1" and "2.5" indicate the length (in meters) of the respective parts.

3.Parentheses mean that the corresponding part is a subpart that constructs an assembly part.

4.Dotted lines on the Figures indicate assembly parts.

1."注記"欄の記号説明

1) "*"印.....前回のパーツブックに比較して今回変更された部品を意味します。

変更内容は、"変更情報リスト"を参照してください。

2) "#01".....ページ下の"注記"の説明を参照してください。

2.数量欄の数字は、個数を表し、0.1、2.5等の数値は、長さ（単位メートル）を表します。

3.数量欄の（ ）は、組部品を構成している子部品であることを意味します。

4.イラストページの-----枠は、組構成であることを意味します。

NUMERICAL INDEX OF PARTS

PART NO	PAGE	REF NO.	PART NO	PAGE	REF NO.	PART NO	PAGE	REF NO.
11155108	38	3	13505904	70	25	13510953	72	1
11155207	38	2	13505904	72	29	13513114	14	27
11157559	38	6	13506217	14	25	13514401	26	33
11157658	38	7	13506415	14	43	13515408	26	11
11157757	38	8	13506704	14	40	13515556	12	52
11157955	38	9	13506852	14	35	13515564	12	57
11158052	38	10	13507058	26	20	13516109	22	46
11158300	38	11	13507157	26	23	13516307	22	35
11158409	38	12	13508056	38	5	13516703	22	41
11158508	38	19	13508155	18	21	13517008	24	58
11158607	38	13	13508403	18	18	13517107	24	57
11159001	38	24	13508700	18	40	13517529	22	29
13160304	50	36	13509153	18	20	13517701	22	26
13160304	54	20	13509401	52	54	13517800	22	15
13160304	56	27	13509401	54	14	13518352	22	4
13160304	58	22	13509401	58	17	13518402	22	5
13160304	60	27	13509401	60	20	13518501	22	14
13160304	70	26	13509401	70	21	13518600	22	22
13160304	72	32	13509401	72	25	13518709	22	23
13500319	4	51	13509807	16	51	13518907	22	8
13501309	36	42	13510201	18	44	13519004	48	2
13501408	36	22	13510367	6	10	13519004	62	6
13501705	36	18	13510458	18	43	13519004	64	6
13502307	4	65	13510607	20	52	13519004	66	6
13503453	6	18	13510854	62	26	13519004	68	6
13503503	6	25	13510854	64	7	13520119	32	33
13503552	6	24	13510854	70	2	13520309	32	23
13503602	6	28	13510854	72	2	13520408	32	40
13503750	6	29	13510862	42	1	13520705	32	32
13503909	6	33	13510862	46	20	13520804	32	41
13504105	6	39	13510862	48	14	13521125	34	56
13504204	6	34	13510862	50	30	13521307	56	12
13504303	6	37	13510862	54	2	13521406	34	53
13504402	6	43	13510862	58	2	13521505	32	9
13504451	6	41	13510862	60	2	13521760	32	14
13504501	6	44	13510953	42	3	13522008	32	1
13504600	6	46	13510953	46	22	13522503	52	55
13504709	8	48	13510953	48	16	13522503	54	21
13504907	6	36	13510953	50	21	13523121	28	21
13505102	8	56	13510953	54	1	13523188	28	1
13505805	2	13	13510953	58	1	13523204	56	25
13505904	56	30	13510953	60	1	13523212	28	42
13505904	58	21	13510953	62	25	13523352	28	19
13505904	60	24	13510953	64	11	13523428	28	34
13505904	68	19	13510953	70	1	13523519	28	36

NUMERICAL INDEX OF PARTS

PART NO	PAGE	REF NO.	PART NO	PAGE	REF NO.	PART NO	PAGE	REF NO.
13523600	28	37	13538301	70	8	13543608	58	12
13523808	28	27	13538301	72	9	13543608	70	10
13523915	28	31	13539002	62	24	13543715	50	6
13524004	28	30	13539606	66	10	13543764	50	2
13524129	28	29	13539606	68	10	13543764	58	5
13524277	28	26	13539705	62	10	13543764	70	5
13524368	28	22	13539705	64	10	13543806	50	10
13524418	28	23	13540109	44	64	13543905	50	15
13524608	28	2	13540208	44	62	13544051	50	19
13524707	28	4	13540307	44	61	13544416	50	1
13524806	28	8	13540406	44	60	13544416	58	4
13524905	28	10	13540505	44	58	13544416	70	4
13525001	28	9	13540604	44	55	13544465	50	3
13525100	28	3	13540703	44	48	13544465	58	6
13525308	28	38	13540752	42	6	13544465	70	6
13525308	56	23	13540802	42	41	13544614	50	5
13525407	28	40	13540901	42	42	13544705	50	17
13525605	28	14	13541057	42	30	13544903	50	38
13525704	28	17	13541107	42	29	13544952	50	37
13525803	68	22	13541206	42	7	13544952	54	18
13525803	70	13	13541313	44	51	13544952	58	24
13525803	72	13	13541404	42	9	13544952	60	25
13526009	68	21	13541503	42	37	13544952	70	28
13526009	70	12	13541750	42	4	13544952	72	30
13526009	72	12	13541800	44	66	13545009	50	41
13526058	68	20	13541800	46	6	13545157	50	44
13526058	70	11	13542303	46	5	13545306	50	45
13526058	72	11	13542402	46	3	13545306	58	7
13528708	36	25	13542501	46	4	13545306	70	7
13529102	36	28	13542709	46	17	13545504	54	9
13529201	36	27	13542808	62	30	13545504	60	17·18
13529904	36	23	13542816	46	13	13545504	72	22·23
13531108	40	50~56	13542907	62	28	13545611	54	4
13531306	40	50~56	13542915	46	11	13545611	60	4
13531603	40	50~56	13543004	62	29	13545611	72	4
13532254	28	47	13543012	46	12	13545660	54	6
13532262	30	55	13543202	46	23	13545660	60	6
13534060	26	18	13543202	48	3	13545660	72	6
13538301	44	67	13543509	50	34	13545801	72	22·23
13538301	46	24	13543509	54	11	13545900	56	9
13538301	48	18	13543509	58	14	13545959	56	2
13538301	50	46	13543509	60	15	13545959	58	11
13538301	54	17	13543509	70	18	13545959	60	11
13538301	58	8	13543509	72	20	13545967	56	3
13538301	60	8	13543608	50	47	13546007	56	4

NUMERICAL INDEX OF PARTS

PART NO	PAGE	REF NO.	PART NO	PAGE	REF NO.	PART NO	PAGE	REF NO.
13546106	56	6	13574009	16	54	26202309	10	39
13546205	56	7	13706601	2	22	26202408	10	33
13546403	56	17	13816509	2	9	26202507	10	44
13546502	56	22	13816855	18	37	26202705	10	32
13546601	56	29	13817507	38	1	26202804	40	50~56
13546601	58	10	13817754	38	21	26202903	32	42
13546601	60	10	13817754	56	31	26203208	10	10
13547401	56	20	13817754	58	26	26203406	10	25
13547500	56	1	13817754	60	13	26203406	50	23
13547500	58	9	13817754	68	27	26203455	10	23
13547500	60	9	13817754	70	30	26203901	18	30
13547500	68	26	13817754	72	18	26204008	22	17
13547500	70	9	13889407	52	49	26204107	22	6
13547500	72	10	17007402	38	14	26204453	16	48
13547658	58	16	22930309	74	14	26204602	14	22
13547658	60	26	22930358	74	1	26204701	32	46
13547658	70	20	22930408	74	10	26204909	18	4
13547658	72	31	22930507	74	9	26210005	2	47
13547807	44	68	22930556	74	20	26210104	2	46
13548409	62	12	22930705	74	7	26210203	2	39
13548409	66	11	22930804	74	17	26210302	2	41
13548508	62	20	22930903	74	16	26210450	2	42
13548508	66	17	22931000	74	3	26210500	2	40
13548607	62	21	22931109	74	4	26210708	2	31
13548607	66	18	22931307	74	11	26211201	2	38
13550108	24	48	22931406	74	8	26211300	2	7
13550504	62	22	22945802	50	27	26211409	4	58
13550702	62	9	26017400	26	4	26211607	2	16
13550702	64	9	26017400	28	11	26211755	2	2
13551403	66	9	26037200	4	53	26211805	2	24
13551403	68	9	26037903	56	28	26211904	2	26
13551569	54	5	26200006	10	13	26212001	2	29
13551569	60	5	26201103	10	38	26212100	4	63
13551569	72	5	26201152	10	30	26212209	2	21
13553706	40	50~56	26201202	10	42	26212308	2	8
13554100	54	15·16	26201301	10	47	26212605	6	8
13554100	60	7	26201400	10	37	26212704	6	7
13554100	72	7·8	26201509	12	49	26212803	6	9
13554209	64	12	26201608	10	40	26213306	6	32
13554209	68	11	26201707	10	43	26213801	8	49
13554308	64	20	26201806	10	45	26213900	8	52
13554308	68	17	26201905	12	48	26214007	8	55
13554407	64	21	26202002	10	36	26214403	6	16
13554407	68	18	26202101	10	35	26215301	10	16
13564901	48	17	26202200	10	41	26216507	10	29

NUMERICAL INDEX OF PARTS

PART NO	PAGE	REF NO.	PART NO	PAGE	REF NO.	PART NO	PAGE	REF NO.
26216507	50	29	26225300	26	31	26237503	40	50~56
26216606	10	28	26225409	26	32	26239103	40	50~56
26216606	50	28	26225508	26	42	26239806	22	45
26216705	10	26	26225607	26	35	26501304	14	31
26216705	50	26	26225706	26	19	40009458	40	64
26216903	14	29	26225805	26	5	40023026	2	10
26217109	14	21	26225904	26	9	40023027	2	15
26217208	14	37	26226001	26	8	40028681	18	5
26217406	26	21	26226100	26	6	40038078	50	25
26217505	26	25	26226209	26	37	40038078	54	8
26217604	26	26	26226407	26	1	40038078	58	19
26217703	2	33	26226506	26	38	40038078	60	22
26217802	14	46	26226704	26	16	40038078	70	23
26217901	16	52	26227207	32	39	40038078	72	27
26218008	14	47	26227306	32	37	40038080	50	22
26218404	14	32	26227603	34	60	40038080	54	7
26218602	14	18	26227702	34	59	40038080	58	18
26218651	14	15	26227900	32	45	40038080	60	21
26218859	14	3	26228205	32	13	40038080	70	22
26220400	14	16	26228304	32	15	40038080	72	26
26220707	14	41	26228502	32	6	40051987	4	57
26221101	18	45	26228601	32	5	40052806	4	52
26221200	18	38	26228700	32	43	40052810	52	53
26221358	20	49	26228809	34	48	40052815	52	48
26221507	20	50	26228908	32	22	40052815	54	13
26221804	18	28	26229005	32	19	40052815	58	25
26222109	18	11	26229104	32	18	40052815	60	23
26222208	18	14	26229302	34	51	40052815	70	29
26222307	18	33	26229401	36	29	40052815	72	28
26222406	18	32	26229609	36	37	40060887	50	35
26222505	18	34	26230003	36	39	40060887	54	19
26222703	22	30	26230102	36	16	40060887	58	23
26222901	22	38	26230409	36	20	40060887	60	12
26223008	22	39	26230706	36	4	40060887	70	27
26223305	24	54	26230904	36	24	40060887	72	17
26223404	24	50	26231100	36	44	40062684	74	2
26223503	22	36	26231209	36	7	B1127280000	36	43
26223602	22	28	26231407	36	12	B1202280000	6	6
26223701	22	7	26231605	36	26	B1203280000	10	6
26224105	22	21	26231902	36	41	B120898000B	6	15
26224204	22	19	26233106	18	3	B1210980000	6	17
26224600	22	44	26234302	38	38	B1211980000	6	14
26224808	22	11	26235200	30	49	B1215980000	6	26
26225102	26	17	26235408	30	54	B1217280000	6	27
26225201	26	13	26236703	40	66	B1223771000	6	1

NUMERICAL INDEX OF PARTS

PART NO	PAGE	REF NO.	PART NO	PAGE	REF NO.	PART NO	PAGE	REF NO.
B1229232000	16	53	B242628000C	66	15	CM300200001	2	1
B1253980000	8	54	B2539280000	50	7	CM301200001	2	12
B1403280000	10	14	B2548280000	50	13	CM600100101	2	6
B1404280000	10	4	B2549280000	22	10	CQ252200000	36	6
B14115520A0	10	11	B2549280000	50	12	CS079101ASH	18	26
B1411804B00	18	8	B255728000C	22	3	CS080081CSH	18	16
B1411804C00	10	5	B2605372000	32	21	CS087101BSH	50	8
B1414232000	10	21	B2608280000	32	17	CS150111BTH	6	12
B1414232000	24	55	B2615280000	26	27	CS180121ASH	18	46
B1649161000	56	11	B3107804000	14	11	D1401L7VV00	62	1
B1805980000	18	24	B3112761000	14	8	D1401L7VV00	64	1
B1808980000	18	19	B3114232000	14	12	D1401L7VV00	66	1
B1813980000	18	7	B3114771000	2	19	D1401L7VV00	68	1
B1814980000	18	10	B3117352000	42	26	D1405L7AM00	62	2
B18172800A0	18	1	B3119771000	14	14	D1405L7AM00	64	2
B18289800A0	18	2-36	B3120125000	14	13	D1405L7AM00	66	2
B18289800AB	18	2-36	B3125012000	14	19	D1405L7AM00	68	2
B19012800A0	10	8	B3126012000	14	17	D1817282N00	48	9
B19012800B0	10	1	B3129053000	48	13	D1817282N00	62	17
B1903552000	10	3	B3129053000	62	15	D1817282N00	64	17
B1904280000	10	2	B3129053000	64	15	D1817282N00	66	7
B1905541B00	10	7	B3129053000	66	14	D1817282N00	68	7
B2007372000	56	14	B3129053000	68	14	D1818282N00	48	8
B2008372000	2	44	B3132552000	14	10	D1818282N00	62	16
B2109280000	16	50	B3214047000	10	27	D1818282N00	64	16
B23022050A0	48	11	B3413552000	50	18	D1818282N00	66	8
B23022050A0	62	13	B3502280000	36	35	D1818282N00	68	8
B23022050A0	64	13	B3504280000	36	36	D2101L7AMA0	62	19
B23022050A0	66	12	B3507280000	36	9	D2101L7AMA0	64	19
B23022050A0	68	12	B3509280000	36	10	D2101L7AMA0	66	16
B2302280000	14	7	B3515280000	36	30	D2101L7AMA0	68	16
B23022800A0	14	4	B3518280000	36	11	D2426282C00	46	14
B2303280000	14	1	B3541012000	36	38	D2426282C00	62	31
B2313280000	14	6	B71307610A0	38	42	D2426MMCK00	64	18
B2410980000	26	2	B7272781000	40	65	D2426MMCK00	68	15
B24142800A0	12	63	B81085550A0	38	17	D2502232D00	42	20
B24152800A0	12	62	B8125280000	56	35	D2504282AB0A	42	19
B2416280000	12	61	B8131019000	40	58	D2507232D00	42	44
B2418280000	12	60	B8133019000	38	36	D2509232D00	42	16
B24212800A0	12	53	B8151771000	56	41	D2511232D00	42	18
B242328000C	12	67	B8152771000	56	42	D2512232D00	42	17
B2424280000	12	58	B8153771000	38	25	D2513232DA0	42	14
B2426280000	12	55	B8153771000	56	43	D2515232D00	42	27
B242628000C	48	10	BP300000100	36	14	D2516232DA0	42	23
B242628000C	62	18	BP600000000	36	3	D2519232D00	42	35

NUMERICAL INDEX OF PARTS

PART NO	PAGE	REF NO.	PART NO	PAGE	REF NO.	PART NO	PAGE	REF NO.
D2520232DA0	42	31	MTJVM005000	40	59~63	NS6700320SP	22	37
D2521232DA0	42	33	NM6050001SE	74	13	PD02010000B	44	56
D2527232D00	42	25	NM6060001SE	38	43	PS0250162KH	18	35
D2528232D00	42	24	NM6080721SE	38	33	PS0300162KH	28	20
D2529232D00	42	12	NM6080721SE	56	39	PS0800202KH	2	32
D2545232D0A	42	13	NM6120003SE	38	18	RC0470611KP	16	49
D2548232D00	42	43	NM6160511SE	74	18	RC0470611KP	32	4
D3112L4BB00	48	12	NS6090310SP	2	20	RC0740811KP	14	38
D3112L4BB00	62	14	NS6090310SP	44	70	RC0740816K0	26	34
D3112L4BB00	64	14	NS6110310SP	10	24	RC1021011KP	26	10
D3112L4BB00	66	13	NS6110310SP	40	68	RC1831018K0	56	18
D3112L4BB00	68	13	NS6110310SP	50	24	RC1850001KP	28	32
D8103984K00	58	20	NS6110310SP	56	10	RC3221517KP	6	38
D8103984K00	60	19	NS6110350SP	56	5	RC6622018KP	6	40
D8103984K00	70	24	NS6110420SP	26	39	RE0400000K0	34	61
D8103984K00	72	24	NS6110420SP	34	50	RE0600000K0	2	35
D8113555B00	38	26	NS6110530SP	42	15	RE0700000K0	22	2
D8113555B00	56	44	NS6120310SP	26	12	RE0700000K0	42	21
D8114555B0E	56	40	NS6120480SP	42	36	RE0900000K0	50	40
D8204555D00	38	4	NS6150310SP	14	34	RO044240100	4	50
EA9500B0100	36	15	NS6150310SP	26	24	SB109000200	56	19
GPF060600A0	38	22	NS6150310SP	30	52	SB120000300	28	33
GPF06080000	38	23	NS6150310SP	32	54	SB135000200	6	35
MAT80116S00	28	13	NS6150310SP	34	54	SB312000100	28	35
MC200500750	46	16	NS6150310SP	38	41	SD0500091TP	12	54
MC200500750	62	23	NS6150310SP	42	45	SD0530221SP	14	45
MC200501000	10	19	NS6150350SP	68	25	SD0530221SP	22	40
MC351501600	62	5	NS6150350SP	70	16	SD0550271TP	42	34
MC351501600	64	5	NS6150350SP	72	16	SD0600321SP	28	24
MC351501600	66	5	NS6150430SP	32	25	SD0640211SP	16	56
MC351501600	68	5	NS6150540SP	2	28	SD0640241SP	44	65
MDI300B2300	62	4	NS6150540SP	22	33	SD0640321SP	28	7
MDI300B2300	64	4	NS6150540SP	50	32	SD0640321SP	44	63
MDI300B2300	66	4	NS6150540SP	54	12	SD0640324TP	56	8
MDI300B2300	68	4	NS6150540SP	58	13	SD0640391TP	14	42
MDP500B1100	46	15	NS6150540SP	60	14	SD0640471SP	2	4
MDP500B1100	62	32	NS6150540SP	70	17	SD0640801TP	32	47
MDP500B1400	10	17	NS6150540SP	72	19	SD0640801TP	56	16
MDP500B1600	10	18	NS6200710SN	40	49	SD0650305TP	26	3
MDP500B2100	48	1	NS6360810SP	20	51	SD0651301TH	26	14
MTJMS000000	38	35	NS6660430SP	18	25	SD0720193SP	10	46
MTJVM004600	40	59~63	NS6660430SP	22	42	SD0720331SP	14	39
MTJVM004700	40	59~63	NS6660511SP	20	48	SD0720331SP	28	15
MTJVM004800	40	59~63	NS6680320SP	32	11	SD0720331SP	68	23
MTJVM004900	40	59~63	NS6680410SP	32	36	SD0720331SP	70	14

NUMERICAL INDEX OF PARTS

PART NO	PAGE	REF NO.	PART NO	PAGE	REF NO.	PART NO	PAGE	REF NO.
SD0720331SP	72	14	SS1110640TP	42	32	SS6121212TP	18	6
SD0790402TP	26	22	SS1110821TP	2	25	SS6121212TP	32	3
SD0790601SP	14	23	SS1110821TP	24	51	SS6150760SN	30	51
SD0790802TP	26	36	SS2060510SP	10	15	SS6151142TP	24	56
SD0791331SP	10	31	SS2090710TP	8	53	SS6151220SP	4	66
SD0800341SP	2	43	SS2110920TP	6	30	SS6151220SP	18	13
SD0800352SP	34	58	SS2110920TP	22	27	SS6151220SP	22	59
SD0800402TP	32	52	SS2110920TP	28	5	SS6151220SP	24	59
SD0800402TP	34	52	SS2110930SP	22	20	SS6151412TP	6	2
SD0800681SP	4	60	SS2110930SP	50	33	SS6151440SP	26	7
SD0801021TP	18	23	SS2110930SP	54	10	SS6151440SP	34	55
SD0900701TP	44	59	SS2110930SP	58	15	SS6660710TP	20	47
SD0901101SP	26	30	SS2110930SP	60	16	SS6661110SP	6	13
SD0901201TP	14	36	SS2110930SP	70	19	SS6661110SP	18	41
SD1000401SP	14	20	SS2110930SP	72	21	SS6661110SP	50	43
SD1201501SP	30	48	SS3090610SP	2	23	SS6681712TP	6	4
SD1201501SP	44	53	SS4090515SP	36	17	SS6681720TP	32	10
SK3311600SE	38	37	SS4090715SP	2	14	SS6741512TP	6	22
SK3452000SC	40	70	SS4110515SP	36	45	SS6741512TP	26	29
SK3483200SE	50	42	SS4110615SP	24	60	SS6742012TP	6	23
SL9082091SE	38	20	SS4110715SP	4	56	SS6742012TP	18	42
SM0040601SA	4	48	SS4110715SP	36	19	SS7080510TP	62	3
SM3061052TP	22	24	SS4110715SP	52	52	SS7080510TP	64	3
SM4040655SP	4	54	SS4110815SP	16	55	SS7080510TP	66	3
SM4040655SP	52	50	SS4110915SP	2	11	SS7080510TP	68	3
SM4051405SE	74	12	SS4110915SP	12	50	SS7090410SP	12	59
SM6051202TP	28	28	SS4111015SP	2	3	SS7090610SP	44	57
SM6060802TP	44	49	SS4150715SP	2	36	SS7090620TP	14	33
SM6061002TP	28	18	SS4150915SP	10	22	SS7110510SP	36	34
SM6061402TP	32	31	SS5680740SP	32	38	SS7110710SP	4	64
SM6061610SC	74	21	SS6060410TP	18	12	SS7110710SP	40	67
SM6061802TP	14	44	SS6080340SP	10	20	SS7110740TP	12	66
SM6061802TP	32	27	SS6090440SP	36	46	SS7110740TP	22	1
SM6061802TP	44	52	SS6090510SP	44	69	SS7110740TP	50	14
SM6062002TP	22	12	SS6090670TP	10	12	SS7110840SP	2	17
SM6062002TP	28	46	SS6091510SP	36	13	SS7110840SP	42	28
SM6062002TP	34	57	SS6110430TP	12	64	SS7110910TP	26	40
SM9061203SE	38	27	SS6110480SP	18	15	SS7110910TP	28	6
SM9061203SE	56	32	SS6110710TP	28	16	SS7111110TP	18	22
SM9062003SC	38	46	SS6110810TP	28	39	SS7111120SP	42	5
SM9082023SE	38	30	SS6110810TP	56	24	SS7111120TP	8	51
SM9082023SE	56	36	SS6111140SP	18	39	SS7111410TP	6	11
SS1060210TP	12	56	SS6111140SP	36	33	SS7111410TP	42	2
SS1110640TP	6	42	SS6120940SP	50	16	SS7111410TP	46	21
SS1110640TP	12	51	SS6121030SP	56	21	SS7111410TP	48	15

NUMERICAL INDEX OF PARTS

PART NO	PAGE	REF NO.	PART NO	PAGE	REF NO.	PART NO	PAGE	REF NO.
SS7111410TP	50	31	SS9151440CP	22	47	WP0982616SP	26	28
SS7111410TP	54	3	SS9151740CP	14	2	WP1021016SD	50	39
SS7111410TP	58	3	SS9156830SP	38	34	WP1052000SC	2	34
SS7111410TP	60	3	TA0550604R0	24	49	WP1302501SE	38	15
SS7111410TP	62	27	TA0750704R0	4	62	WP1612616SE	74	19
SS7111410TP	64	8	TA0750704R0	36	21	WS0451040KP	8	50
SS7111410TP	70	3	TA1050504R0	36	47	WS0510002KN	74	5
SS7111410TP	72	3	TA1250406R0	36	8	WS0621210KR	38	44
SS7120910SP	50	4	TA1450404R0	36	31	WS0621210KR	56	33
SS7151120SP	10	9	TA1470704R0	2	37	WS0641560KR	32	29
SS7151120SP	32	16	TA2050406R0	4	59	WS0861410KR	38	32
SS7151210SP	2	45	TA2100904R0	36	1	WS0861410KR	56	37
SS7151210SP	50	11	WP0450801SD	4	55	WS0902010KN	40	48
SS7151330SP	32	30	WP0450801SD	52	51	WS1253010KN	38	16
SS7701010SP	22	32	WP0450846SP	12	65	WS1643202KR	74	15
SS8080310TP	22	18	WP0480856SP	4	61	WZ0641510KP	2	5
SS8090610SP	14	5	WP0480856SP	26	41			
SS8110520TP	18	29	WP0480856SP	34	49			
SS8150510TP	22	16	WP0480856SP	40	69			
SS8150710SP	28	12	WP0482086SD	28	44			
SS8150822TP	2	30	WP0482086SD	32	2			
SS8150822TP	18	31	WP0501016SC	40	71			
SS8150822TP	28	41	WP0501016SD	42	39			
SS8150822TP	40	57	WP0612056SD	30	53			
SS8150822TP	50	20	WP0612056SD	32	28			
SS8150822TP	56	26	WP0612056SD	38	39			
SS8151230SP	6	21	WP0612056SE	38	45			
SS8151550SP	28	43	WP0612066SP	44	50			
SS8151780SP	32	24	WP0612516SD	42	47			
SS8620610SP	28	25	WP0621016SD	22	13			
SS8620850SP	28	45	WP0621016SD	30	50			
SS8660530TP	6	3	WP0621016SD	32	26			
SS8660610TP	6	5	WP0621016SD	36	32			
SS8660612TP	6	45	WP0621016SD	38	40			
SS8661012TP	6	19	WP0650876SD	22	43			
SS8661112TP	8	47	WP0651056SH	44	54			
SS8661212TP	6	20	WP0671016SE	38	28			
SS8681950SP	26	15	WP0671016SE	56	34			
SS9110460CP	42	40	WP0702026SP	22	34			
SS9110920CP	42	22	WP0704516SP	24	53			
SS9150730SP	68	24	WP0751576SD	32	34			
SS9150730SP	70	15	WP0850002SC	38	47			
SS9150730SP	72	15	WP0871602SE	38	31			
SS9151120CP	42	46	WP0871602SE	56	38			
SS9151210TP	56	15	WP0952616SD	18	9			