

MODEL : MH-484/S060_S061

List No : 0074-09

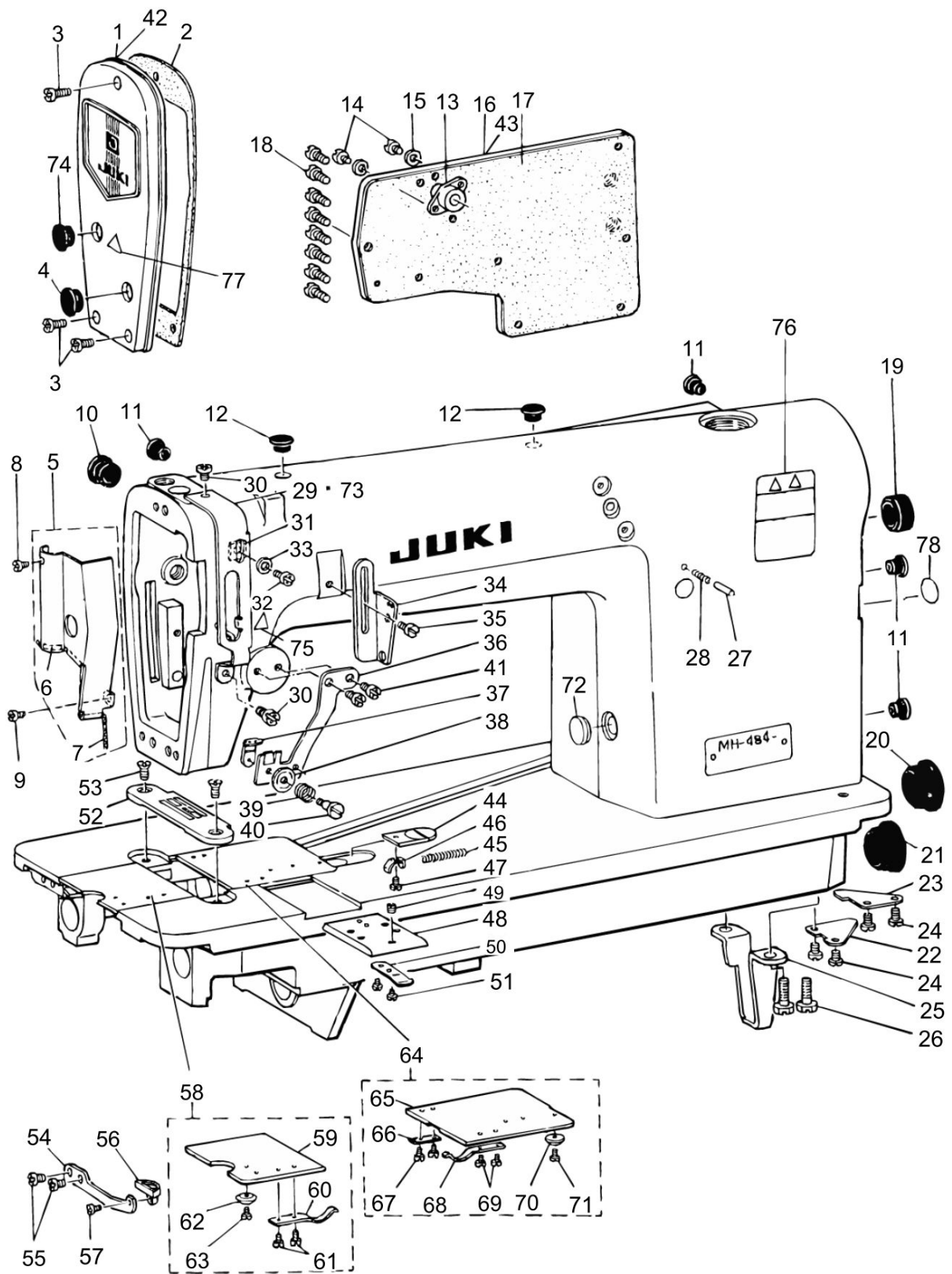
PARTS LIST

Published:09/10/2017

CONTENTS

MACHINE FRAME & MISCELLANEOUS COVER COMPONENTS	1
MAIN SHAFT & NEEDLE BAR COMPONENTS	5
PRESSER BAR & LOWER SHAFT COMPONENTS	7
FEED MECHANISM COMPONENTS (1).....	11
FEED MECHANISM COMPONENTS (2).....	15
DIFFERENTIAL FEED MECHANISM COMPONENTS.....	17
THREAD SPREADER COMPONENTS	19
LOOPER & NEEDLE GUARD COMPONENTS	21
THREAD TENSION CONTROLLER COMPONENTS	25
OIL LUBRICATION MECHANISM COMPONENTS	29
OIL RESERVOIR & KNEE LIFTER COMPONENTS.....	31
THREAD STAND COMPONENTS.....	33
SILICON OIL LUBRICANT & BELT COVER COMPONENTS	35
EXCHANGING PARTS COMPONENTS (SPECIAL ORDER PARTS)	37
S060 GATHERING ATTACHMENT / S061 INTERMITTENT GATHERING ATTACHMENT	39
LIST FOR INFORMATION OF CHANGE.....	43
HOW TO MAKE USE OF THIS PARTS LIST	44

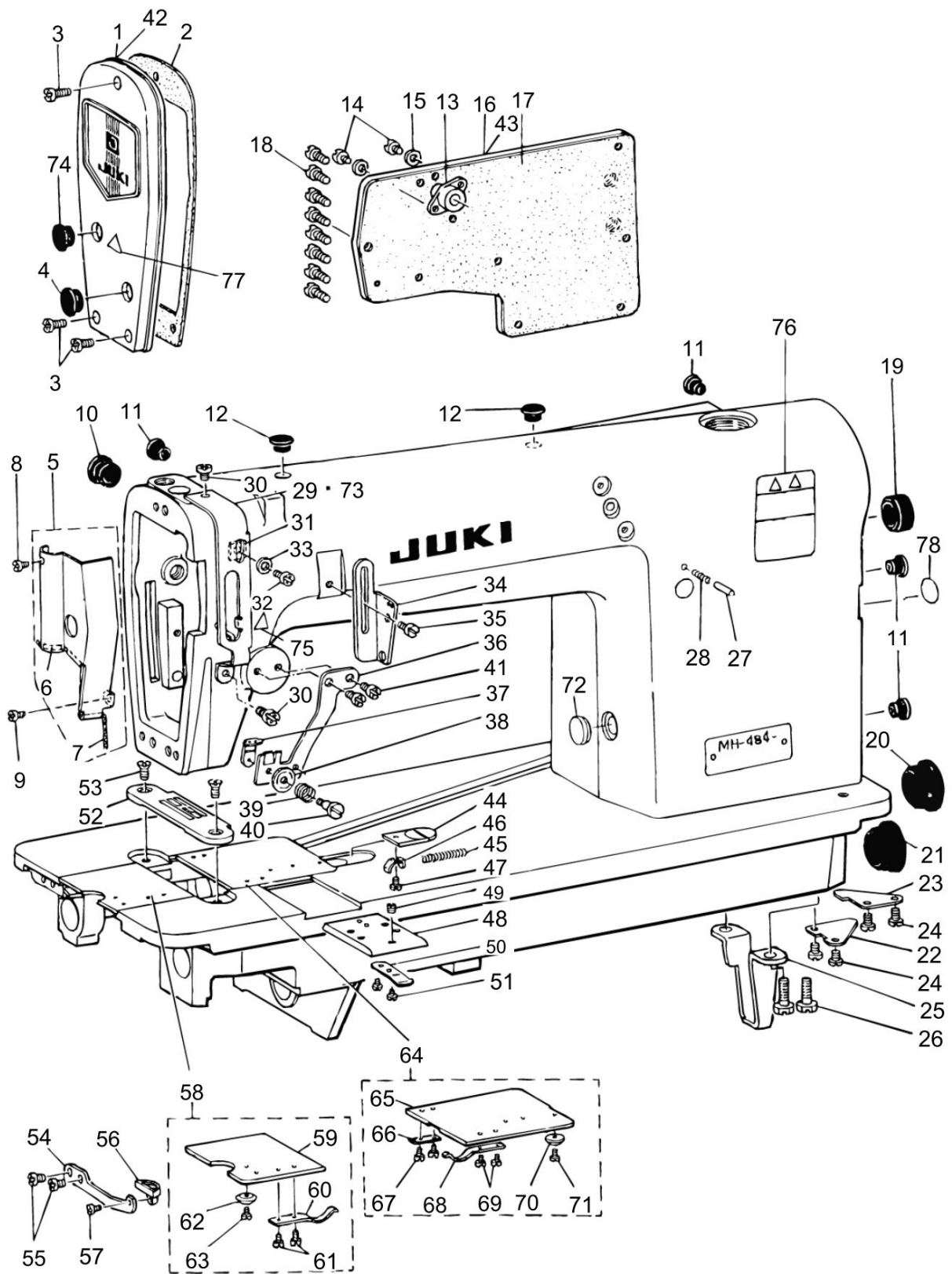
MACHINE FRAME & MISCELLANEOUS COVER COMPONENTS



MACHINE FRAME & MISCELLANEOUS COVER COMPONENTS

No.	Parts No.	Parts name	Remarks	Level	Cons	Qty
1	40114236	FACE PLATE ASM.				1
2	B1122552000	FACE PLATE GASKET				1
3	SS4111015SP	SCREW 11/64-40 L=10				3
4	TA1250406R0	RUBBER PLUG D=12.5 L=4				1
5	B11304810A0	ARM OIL SHIELD ASM.				1
6	B1131481000	NON-WOVEN FABRIC		*		1
7	B1132481000	OIL WICK		*		1
8	SS6080320SP	SCREW 1/8-44 L=2.5				1
9	SS4110515SP	SCREW 11/64-40 L=5				1
10	TA1250705R0	RUBBER PLUG				1
11	TA0800704R0	RUBBER PLUG				2
12	TA1050504R0	RUBBER PLUG				2
13	D3111481CA0	TENSIONRELEASESHAFTCOLLARASM.				1
14	SS6090630SP	SCREW 9/64-40 L=6				2
15	B3534012000	GASKET				2
16	B1118481000	SIDE PLATE				1
17	B1119481000	GASKET				1
18	SS4110815SP	SCREW 11/64-40 L=8				8
19	TA2101002R0	RUBBER PLUG				1
20	TA2351305R0	RUBBER PLUG				1
21	TA2351004R0	RUBBER PLUG				1
22	B1134481000	BED OIL SHIELD				1
23	B1135481000	BED OIL SHIELD (B)				1
24	SS7110510SP	SCREW 11/64-40 L=5				4
25	B1106122000	BED SUPPORT PLATE				1
26	SS9151120CP	SCREW 15/64-28 L=11				2
27	22912000	FEED REGULATOR PIN				1
28	22912109	FEED REGULATOR PIN SPRING				1
29	B1904481000	THREAD TAKE-UP LEVER GUARD				1
30	SS4110515SP	SCREW 11/64-40 L=5				2
31	B1903481000	TAKE-UP THREAD TENSION LEVER				1
32	SS4110515SP	SCREW 11/64-40 L=5				1
33	WP0480856SP	WASHER 4.8X8.4X0.8				1
34	B1905380000	FRAME THREAD EYELET				1
35	SS4110515SP	SCREW 11/64-40 L=5				1
36	B1912481000	TENSION CONTROLLER INSTALLING				1
37	B1913481000	TAKE-UP THREAD GUIDE				1
38	B3148123000	TENSION DISC				1
39	B1914481000	TAKE-UP THREAD TENSION SPRING				1
40	B1916481000	TAKE-UP THREAD TENSION POST				1
41	SS4110515SP	SCREW 11/64-40 L=5				2
42	B112155200A	FACE PLATE	FOR URBAN WHITE			1
43	B111848100A	SIDE PLATE	FOR URBAN WHITE			1
44	B1110481000A	CAM COVER LATCH				1
45	B1111481000	SPRING				1
46	B1112481000A	SPRING SUSPENSION				1
47	SS6080320SP	SCREW 1/8-44 L=2.5				1

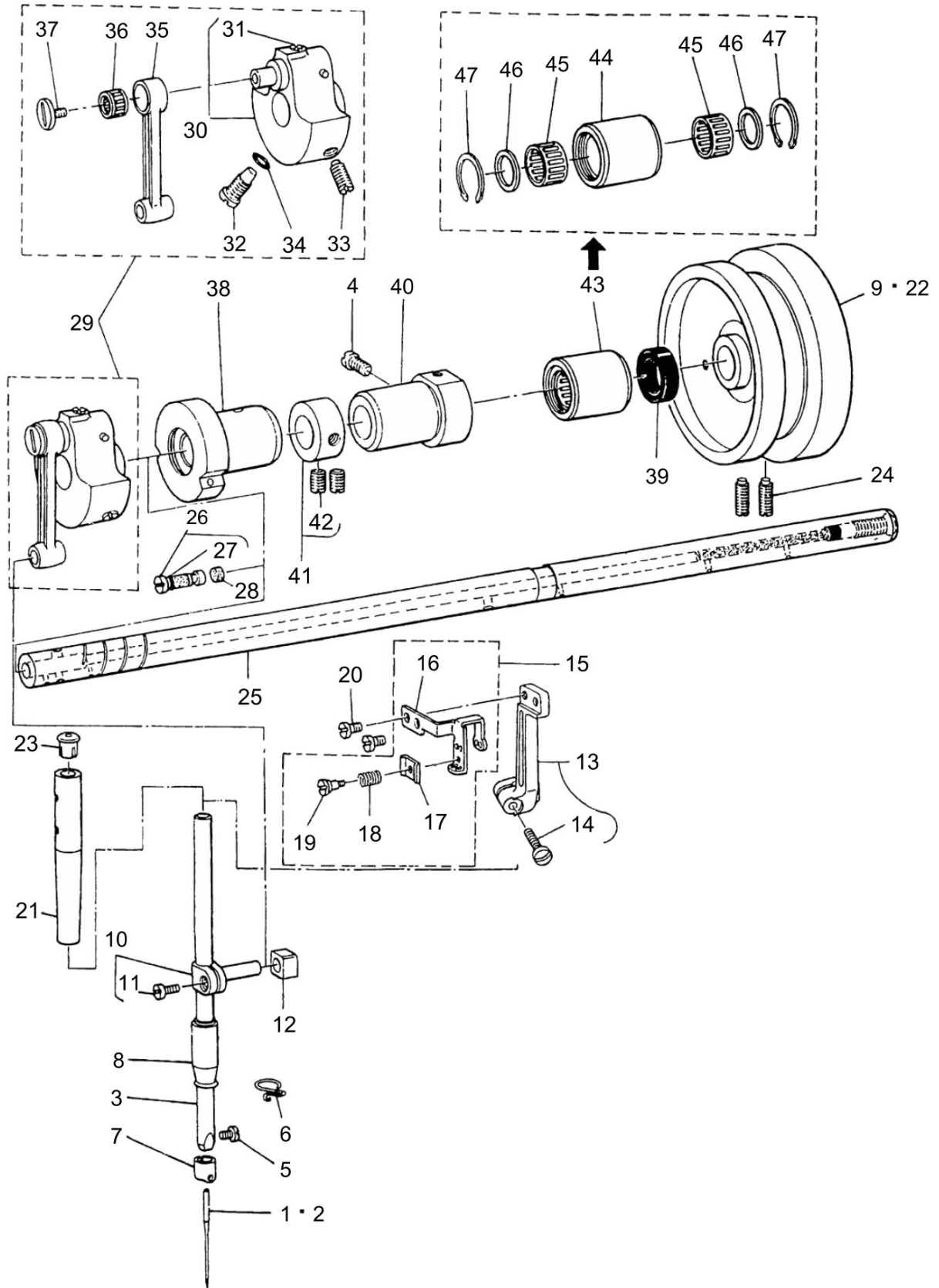
MACHINE FRAME & MISCELLANEOUS COVER COMPONENTS



MACHINE FRAME & MISCELLANEOUS COVER COMPONENTS

No.	Parts No.	Parts name	Remarks	Level	Cons	Qty
48	B1111380000	ATTACHMENT INSTALLING PLATE				1
49	SS8150310SP	SCREW 15/64-28 L=3.4				1
50	B1112380000	SPRING				1
51	SS6060220SP	SCREW 3/32-56 L=2.0				2
52	B1103484F00	THROAT PLATE				1
53	SS2110920TP	SCREW 11/64-40 L=8.5				2
54	B1105380000	BED SLIDE STOPPER				1
55	SS4110515SP	SCREW 11/64-40 L=5				2
56	B1106380000	LATCH				1
57	SS4080415SP	SCREW 1/8-44 L=4				1
58	B1104380AA0	BED SLIDE ASM.				1
59	B1104380A00	BED SLIDE		*		1
60	B1115380000	SPRING		*		1
61	SS6060210SP	SCREW 3/32-56 L=1.9		*		2
62	B1107380000	BED SLIDE GUIDE		*		1
63	SS6060340SP	SCREW 3/32-56 L=2.5		*		1
64	B11064810A0A	CAM COVER ASM.				1
65	B1106481000A	CAM COVER		*		1
66	B1108481000	CAM COVER SUPPORT		*		1
67	SS6060210SP	SCREW 3/32-56 L=1.9		*		2
68	B1109481000	SPRING		*		1
69	SS6060210SP	SCREW 3/32-56 L=1.9		*		2
70	B1107481000	CAM COVER GUIDE		*		1
71	SS6060340SP	SCREW 3/32-56 L=2.5		*		1
72	TA1750502R0	RUBBER PLUG D=17.5 L=5				1
73	B190448100A	THREAD TAKE-UP LEVER COVER	FOR URBAN WHITE			1
74	TA2050406R0	RUBBER PLUG				1
75	CM300200001	ATTENTION SEAL	FOR JE,USE IN JAPAN			1
76	CM301200001	SAFETY LABEL_S				1
77	CM300200001	ATTENTION SEAL	FOR USE IN JAPAN			1
78	22901805	GROUND MARK				1

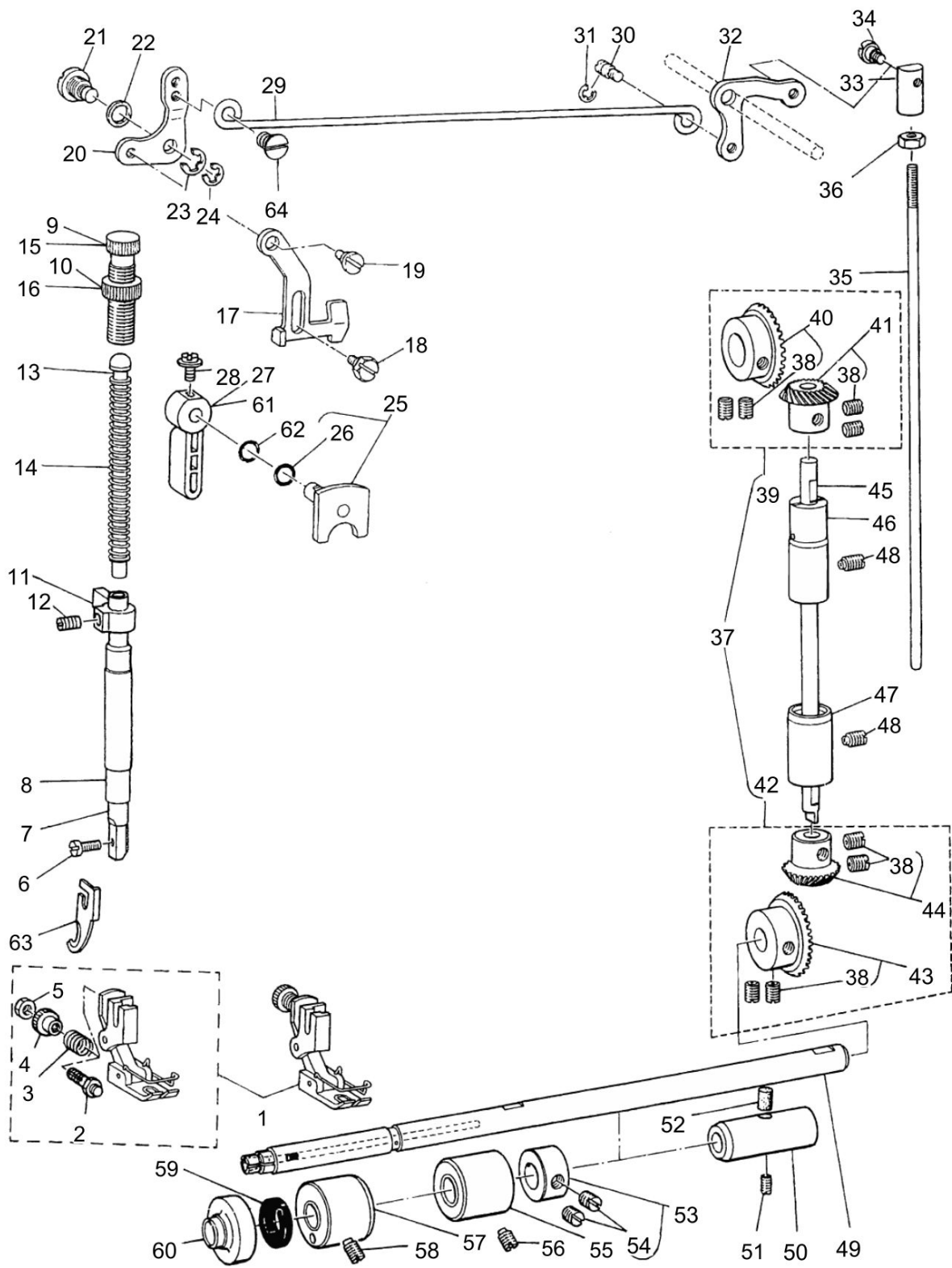
MAIN SHAFT & NEEDLE BAR COMPONENTS



MAIN SHAFT & NEEDLE BAR COMPONENTS

No.	Parts No.	Parts name	Remarks	Level	Cons	Qty
1	MTV700B1100	NEEDLE TVX7 #11				1
2	MC380000750	NEEDLE UYX128GAS #75	SPECIAL ORDER PARTS			1
3	B1401481000	NEEDLE BAR				1
4	SS7151120SP	SCREW 15/64-28 L=11				1
5	SS7080510TP	SCREW 1/8-44 L=4.5				1
6	B1419155000	NEEDLE BAR THREAD GUIDE				1
7	B1418552A00	NEEDLE THREAD GUIDE A				1
8	B1403155000	NEEDLE BAR BUSHING LOWER				1
9	B1217490000	HAND WHEEL				1
10	B14114810A0	NEEDLE BAR CONNECTION ASM.				1
11	SS6090670TP	SCREW 9/64-40 L=6		*		1
12	B1414555000	SLIDE BLOCK				1
13	B19024810A0B	THREAD TAKE-UP LEVER ASM.				1
14	SS6091210TP	SCREW 9/64-40 L=12		*		1
15	B19013800A0	THREAD TAKE-UP ASM.				1
16	B1901481000A	THREAD TAKE-UP		*		1
17	B1908481000A	THREAD TENSION REGULATING PLATE		*		1
18	D1910481C00	TENSION SPRING		*		1
19	B1909481000A	THREAD TENSION REGULATING STUD		*		1
20	SS6090670TP	SCREW 9/64-40 L=6				2
21	22906101	NEEDLE BAR BUSHING UPPER				1
22	B121749000A	HAND WHEEL	FOR URBAN WHITE			1
23	22901409	NEEDLE BAR UPPER BUSH CAP				1
24	SS8151550SP	SCREW 15/64-28 L=15				2
25	B1201481000A	MAIN SHAFT				1
26	B12135520A0A	OIL AMOUNT ADJUSTING PIN ASM.				1
27	RO029180100	RUBBER RING		*		1
28	B1226552000	ROLLER FELT				1
29	B12064810A0	COUNTERWEIGHT ASM.				1
30	B12064810B0	COUNTERWEIGHT ASM.		*		1
31	SS8150710TP	SCREW 15/64-28 L=7		*		1
32	SS7681650TP	SCREW 9/32-28 L=16		*		1
33	SS8681650TP	SCREW 9/32-28 L=16		*		1
34	RO044240100	RUBBER RING		*		1
35	B1408481000	NEEDLE BAR CRANK ROD		*		1
36	B1905541B00	NEEDLE BEARING	SELECTIVE PARTS	*		1
37	B1903552000	LEFT SCREW		*		1
38	B1202481000	BUSHING FRONT				1
39	D1208555D00	OIL SEAL				1
40	B1203481B00	BUSHING INTERMEDIATE				1
41	CS147121ESH	THRUST COLLAR ASM. D=14.72 W=12				1
42	SS8660810TP	SCREW 1/4-40 L=8		*		2
43	D1204555DA0	MAIN SHAFT BUSHING REAR ASM.				1
44	D1204555D00	MAIN SHAFT BUSHING REAR		*		1
45	D1230555B00	NEEDLE BEARING	SELECTIVE PARTS	*		2
46	D1231555B00	WASHER		*		2
47	D1232555B00	SNAP RING		*		2

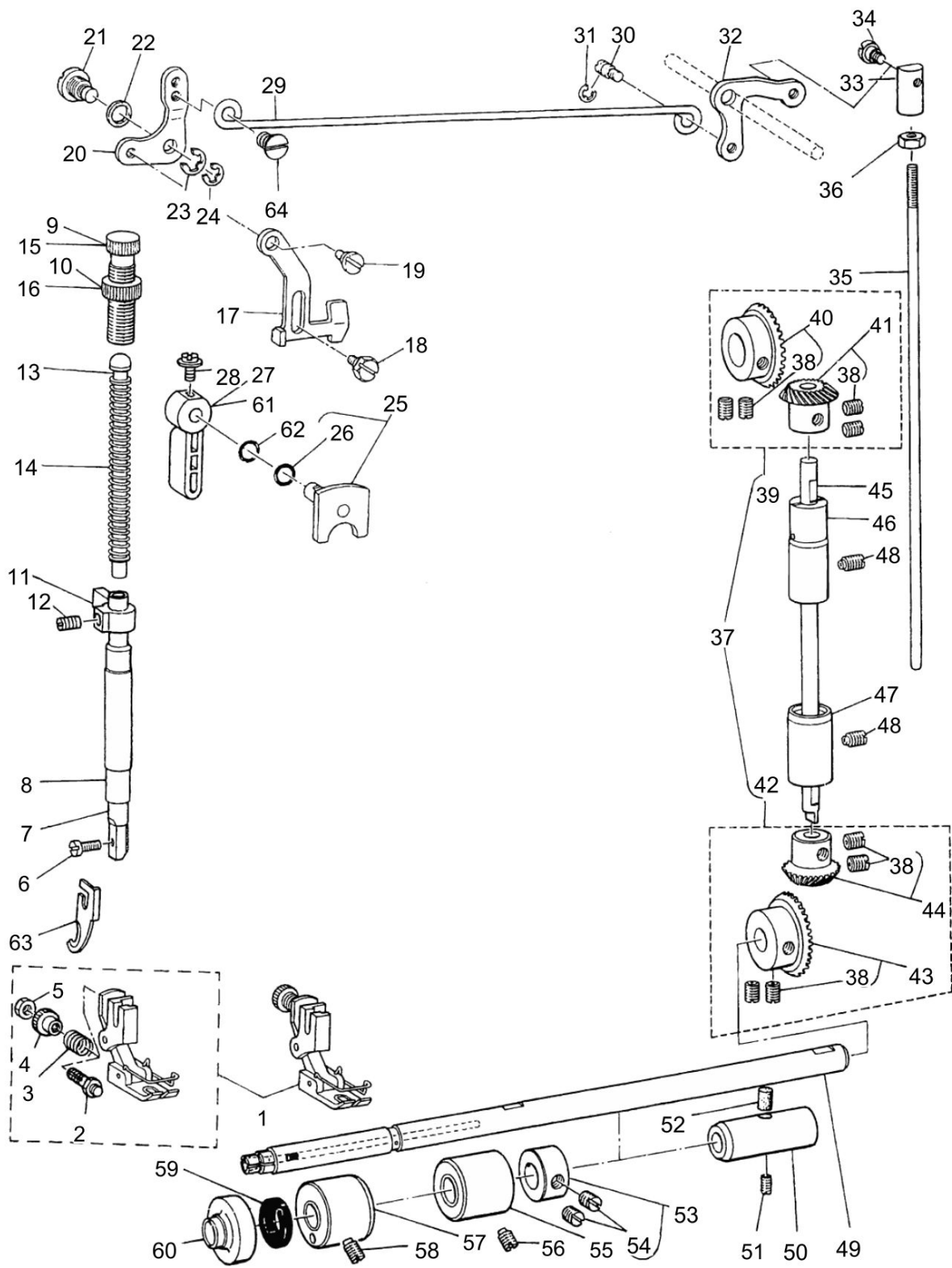
PRESSER BAR & LOWER SHAFT COMPONENTS



PRESSER BAR & LOWER SHAFT COMPONENTS

No.	Parts No.	Parts name	Remarks	Level	Cons	Qty
1	B1524481CC0	SLIDING TYPE PRESSER FOOT ASM.				1
2	B1532481C00	ADJUSTING SPRING STUD		*		1
3	B1536481C00	AIR BLOW ADJUSTING PLATE SPRING		*		1
4	B1533481C00	ADJUSTING SCREW		*		1
5	NS6110310SP	NUT 11/64-40		*		1
6	SS7091110TP	SCREW 9/64-40 L=10.5				1
7	22907000	PRESSER BAR				1
8	22907109	PRESSER BAR BUSHING LOWER				1
9	22907505	PRESSER SPRING REGULATOR	FOR URBAN WHITE			1
10	22907604	PRESSER SPRING REGULATOR NUT	FOR URBAN WHITE			1
11	10178705	PRESSER BAR GUIDE BRACKET				1
12	SS8660610TP	SCREW 1/4-40 L=6				1
13	22907703	PRESSER GUIDE BAR				1
14	22907406	PRESSER SPRING				1
15	B1509555000	PRESSER SPRING REGULATOR				1
16	B1511555000	NUT				1
17	B1515552000	LIFTING LEVER				1
18	SD0630275SP	HINGE SCREW D=6.35 H=2.7				1
19	SD0630301SP	HINGE SCREW D=6.35 H=3				1
20	B1516552000	LIFTING LEVER LINK				1
21	B1517552000	HINGE PIN				1
22	B3431581000	LIFTING LEVER GASKET				1
23	B1523226000	SNAP RING				1
24	RE0600000K0	E-RING 6				1
25	B15185550A0	HAND LIFTER CAM ASM.				1
26	RO037180100	RUBBER RING		*		1
27	B1520552000	HAND LIFTER				1
28	B1521555000	SCREW				1
29	B3412415000	LIFTING LEVER CONNECTING ROD				1
30	B3416552000	CONNECTING ROD HINGE SCREW				1
31	RE0500000K0	E-RING				1
32	B3414415000A	LIFTING LEVER LINK RIGHT				1
33	B3416415000A	SWIVEL				1
34	SD0600322SD	HINGE SCREW D=6 H=3.2				1
35	B3415481000	CONNECTING ROD VERTICAL				1
36	NS6620310SP	NUT 3/16-32				1
37	B1308481000	GEAR				1
38	SS8660810TP	SCREW 1/4-40 L=8		*		8
39	B13061550B0	GEAR & PINION ASM. UPPER		*		1
40	B13050120A0	GEAR ASM.		*		1
41	B13061550A0	PINION ASM.		*		1
42	B13084810B0	GEAR & PINION ASM.		*		1
43	B13084810A0	GEAR LOWER(LARGE)ASM.		*		1
44	B13061550A0	PINION ASM.		*		1
45	B1301481000A	UPRIGHT SHAFT				1
46	B1302552B00	BUSHING UPPER				1
47	11004207	UPRIGHT SHAFT BUSHING LOWER				1

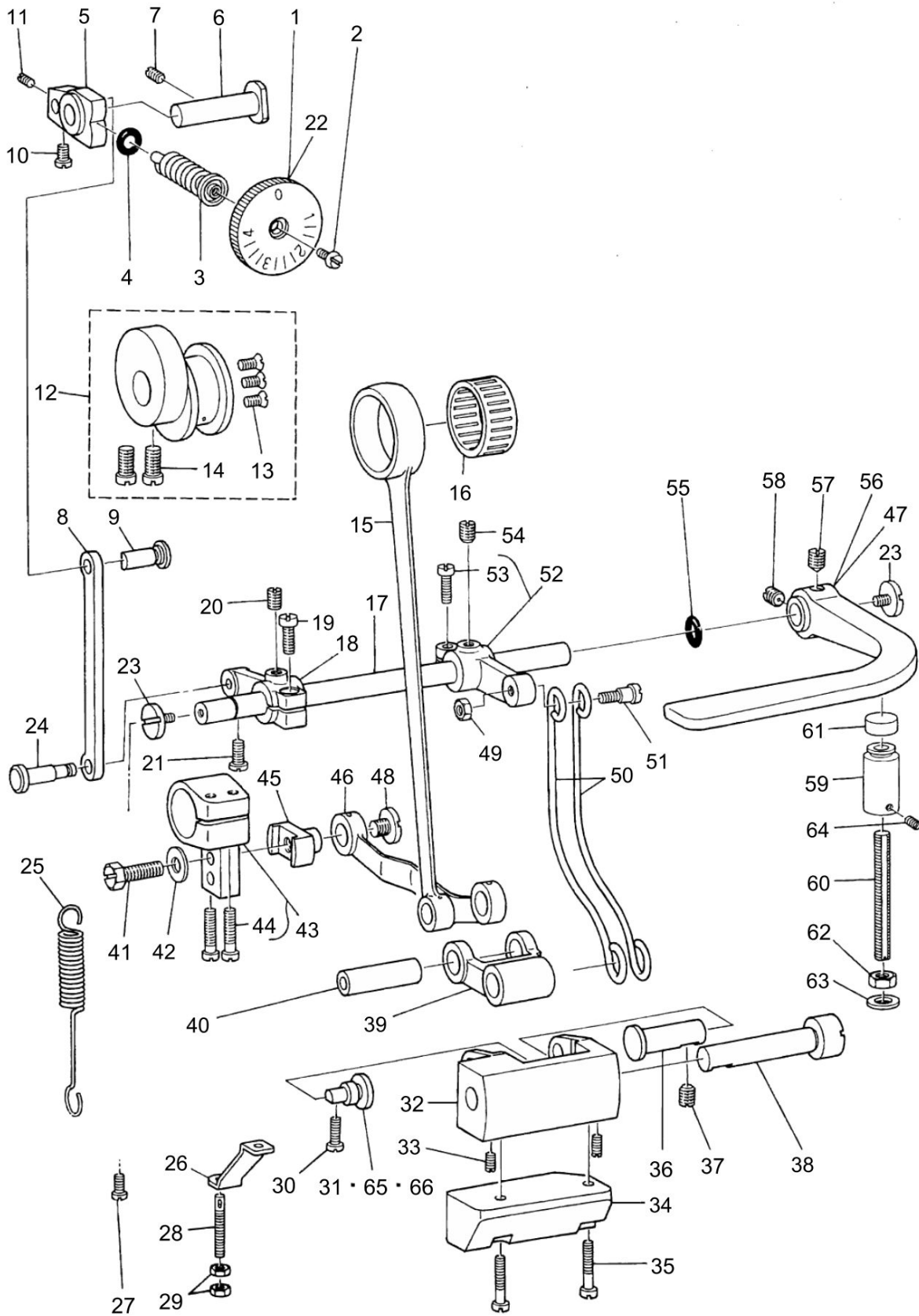
PRESSER BAR & LOWER SHAFT COMPONENTS



PRESSER BAR & LOWER SHAFT COMPONENTS

No.	Parts No.	Parts name	Remarks	Level	Cons	Qty
48	SS8151150SP	SCREW 15/64-28 L=10.5				2
49	B1801481000A	LOWER SHAFT				1
50	B1607352000	BUSHING REAR				1
51	SS8151150SP	SCREW 15/64-28 L=10.5				1
52	22814909	FELT				1
53	CS111121ASH	THRUST COLLAR ASM. D=11.11 W=12				1
54	SS8660810TP	SCREW 1/4-40 L=8		*		2
55	B1803481000	BUSHING INTERMEDIATE				1
56	SS8151150SP	SCREW 15/64-28 L=10.5				1
57	B1802481000	BUSHING FRONT				1
58	SS8151150SP	SCREW 15/64-28 L=10.5				1
59	B1813481000	OIL SEAL				1
60	B2226481000	LOOPER THREAD GUARD BUSHING				1
61	22907802	HAND LIFTER	FOR URBAN WHITE			1
62	WP0740516SP	WASHER 7.4X11.8X0.5				1
63	B1528481000	THREAD CUTTER				1
64	22908909	HINGE SCREW				1

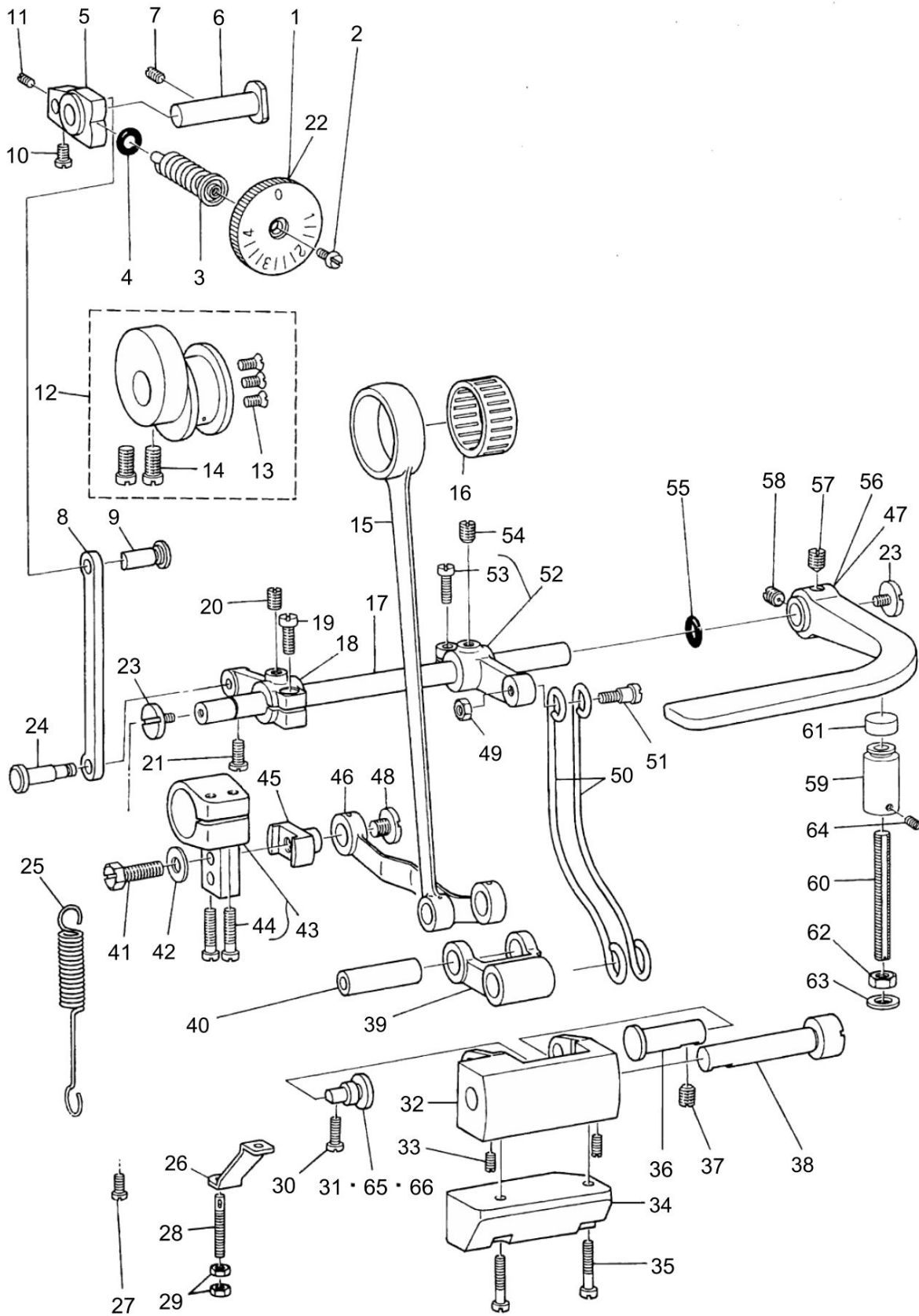
FEED MECHANISM COMPONENTS (1)



FEED MECHANISM COMPONENTS (1)

No.	Parts No.	Parts name	Remarks	Level	Cons	Qty
1	B1623555000A	FEED REGULATOR DIAL				1
2	SS6120930SP	SCREW 3/16-28 L=9				1
3	B1634555000B	STITCH LENGTH REGULATING SCREW				1
4	RO074240100	RUBBER RING				1
5	B1620481000	FEED REGULATOR				1
6	B1622555000	HINGE PIN				1
7	SS8150710SP	SCREW 15/64-28 L=7				1
8	40114880	FEED REGULATOR CONNECTING ROD				1
9	B1626555000	FEED REGULATOR CONNECTING ROD				1
10	SS7110710SP	SCREW 11/64-40 L=7				1
11	SS8110510SP	SCREW 11/64-40 L=5				1
12	B16104840A0	FEED ECCENTRIC CAM ASM.				1
13	SS2110930SP	SCREW 11/64-40 L=8.7		*		3
14	SS6661110SP	SCREW 1/4-40 L=11		*		2
15	40114884	FEED ROCKER SHAFT CONNECTING R				1
16	B1636581B00	NEEDLE BEARING B	SELECTIVE PARTS			1
17	B1621555000A	CONTROL LEVER SHAFT				1
18	40120458	CONTROL LEVER SHAFT CRANK				1
19	SS6121210SP	SCREW 3/16-28 L=12				1
20	SS8150710SP	SCREW 15/64-28 L=7				1
21	SS7110910SP	SCREW 11/64-40 L=8.5				1
22	B1623555A00	FEED REGULATOR DIAL	FOR URBAN WHITE			1
23	SS7620750SP	SCREW 3/16-32 L=6.5				2
24	B1628555000	TENSION SPRING SUSPENSION STUD				1
25	B1646484000	TENSION SPRING				1
26	B1632470000	TENSION SPRING SUSPENSION BRACKET				1
27	SS7111120SP	SCREW 11/64-40 L=10.5				1
28	B1649161000	TENSION SPRING ADJUSTING SCREW				1
29	NS6110420SP	NUT 11/64-40				2
30	SS7110910SP	SCREW 11/64-40 L=8.5				1
31	B1619555000	FEED DRIVING ROCKER HINGE PIN				1
32	B1617484000	FEED DRIVING ROCKER				1
33	SS8110750SP	SCREW 11/64-40 L=6.5				2
34	B1631484000	FEED DRIVING ROCKER WEIGHT				1
35	SS7111810SP	SCREW 11/64-40 L=18				2
36	B1618484000	HINGE PIN				1
37	SS8150710SP	SCREW 15/64-28 L=7				1
38	B1615484000	HINGE PIN				1
39	B1614484000A	FEED DRIVING ROCKER ARM ASM.				1
40	B1633484000	CONNECTING PIN				1
41	SS9151630CP	SCREW 15/64-28 L=15.5				1
42	WP0621016SD	WASHER 6.2X13X1				1
43	B16084840A0	FEED ROCKER SHAFT CRANK ASM.				1
44	SS6121850TP	SCREW 3/16-28 L=18		*		2
45	B1607484000A	FEED ROCKER SHAFT CRANK PIN				1
46	B1606484000	CONNECTING ROD				1
47	B162455500A	REVERSE FEED CONTROL LEVER	FOR URBAN WHITE			1

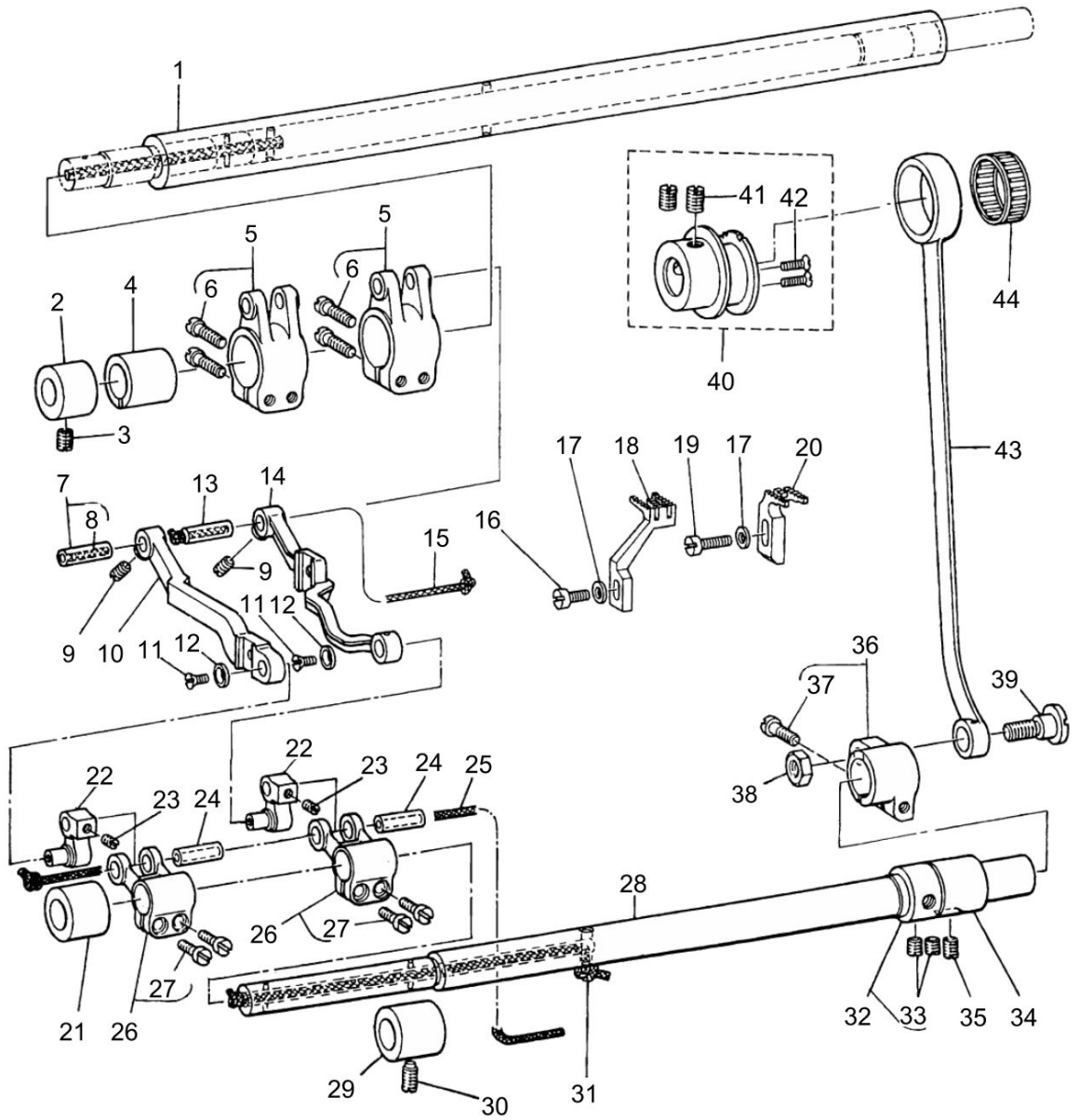
FEED MECHANISM COMPONENTS (1)



FEED MECHANISM COMPONENTS (1)

No.	Parts No.	Parts name	Remarks	Level	Cons	Qty
48	SS6150610SP	SCREW 15/64-28 L=5.5				1
49	NS6150310SP	NUT 15/64-28				1
50	B1630484000	CONNECTING ROD				2
51	SD0790641SP	HINGE SCREW D=7.94 H=6.4				1
52	B16294840A0A	CONTROL LEVER CRANK ASM.				1
53	SS6121210SP	SCREW 3/16-28 L=12		*		1
54	SS8150710SP	SCREW 15/64-28 L=7				1
55	RO069180100	RUBBER RING				1
56	B1624555000	REVERSE FEED CONTROL LEVER				1
57	SS8661040TP	SCREW 1/4-40 L=10				1
58	SS8660810TP	SCREW 1/4-40 L=8				1
59	B1660484000	LEVER STOPPER				1
60	B1661481000	SCREW				1
61	B1673484000	LEVER STOPPER RUBBER CUSHION				1
62	NS6150430SP	NUT 15/64-28				1
63	WP0621016SD	WASHER 6.2X13X1				1
64	SS8090540SP	SCREW 9/64-40 L=5				1
65	40082080	FEED DRIVING ROCKER HINGE PIN 1	FOR URBAN WHITE			1
66	40082081	FEED DRIVING ROCKER HINGE PIN 2	FOR URBAN WHITE			1

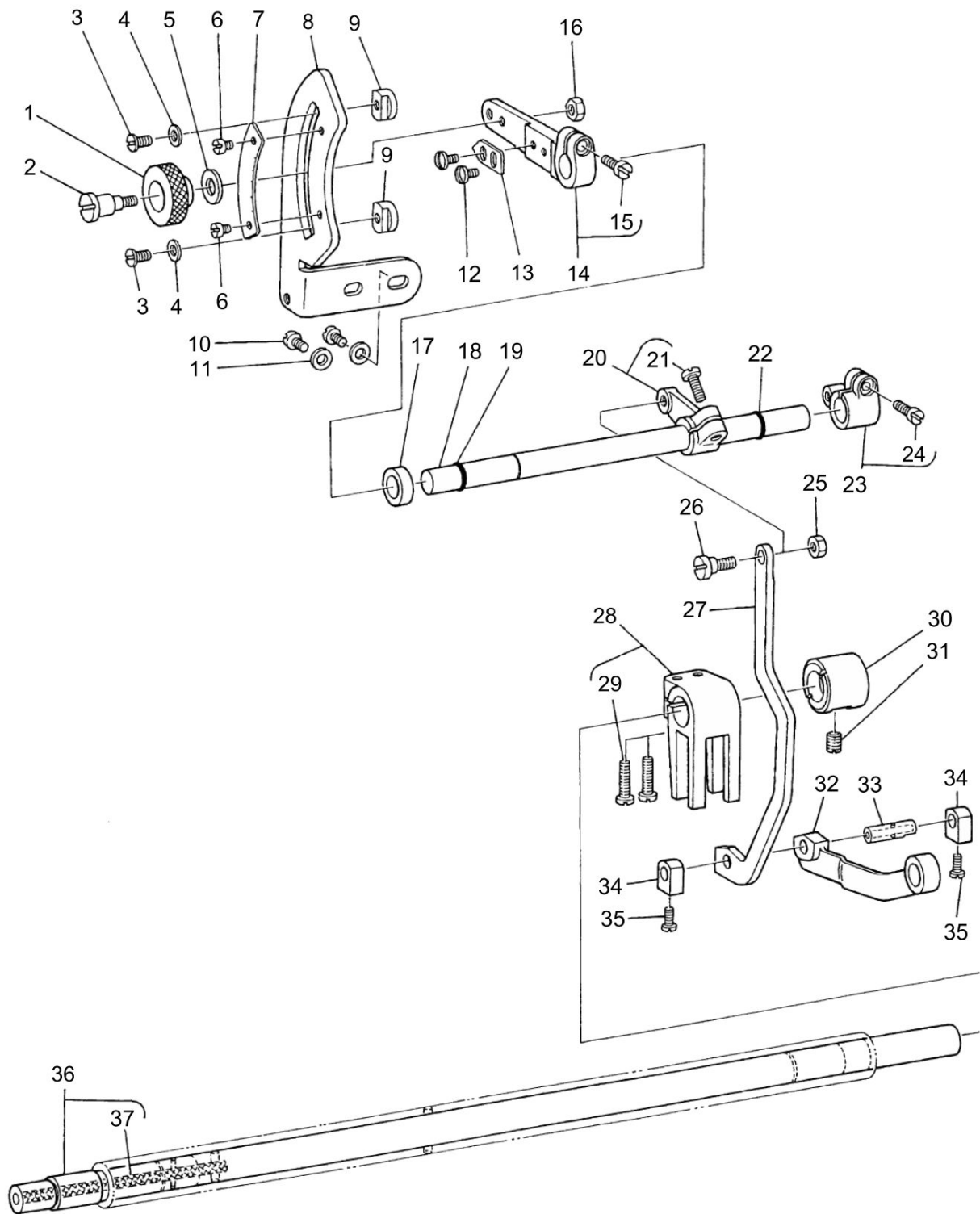
FEED MECHANISM COMPONENTS (2)



FEED MECHANISM COMPONENTS (2)

No.	Parts No.	Parts name	Remarks	Level	Cons	Qty
1	B1601484000	FEED ROCKER SHAFT				1
2	B1604484000	FEED ROCKER SHAFT BUSHING FRONT				1
3	SS8150710SP	SCREW 15/64-28 L=7				2
4	B1656484000	BUSHING				1
5	B16034840A0	FEED ROCKER ASM.				2
6	SS6121850TP	SCREW 3/16-28 L=18		*		4
7	B16104300A0	PIN ASM.				1
8	CQ202000000	OIL WICK		*		0.1
9	SS8620610SP	SCREW 3/16-32 L=6				2
10	B1652484000	DIFFERENTIAL FEED BAR				1
11	SS1080510SP	SCREW 1/8-44 L=5				2
12	B1715481000	COUNTER-SUNK WASHER				2
13	B1610430000	DIFFERENTIAL FEED ROCKER SHAFT				1
14	B1602484000	FEED BAR				1
15	CQ303000000	OIL WICK				0.2
16	SS7111110TP	SCREW 11/64-40 L=10.5				1
17	WP0480856SP	WASHER 4.8X8.4X0.8				2
18	B1653484F00	DIFFERENTIAL FEED DOG				1
19	SS7111410TP	SCREW 11/64-40 L=14				1
20	B1613484F00	MAIN FEED DOG				1
21	40133993	FEED ROCKER SHAFT BUSHING				1
22	B17134810A0	FEED BAR LINK ASM.				2
23	SS8110410TP	SCREW 11/64-40 L=3.5				2
24	B1610430000	DIFFERENTIAL FEED ROCKER SHAFT				2
25	CQ252000000	OIL WICK				0.3
26	B41033520A0	FEED ROCKER SHAFT CRANK ASM.				2
27	SS6621220SP	SCREW 3/16-32 L=12		*		4
28	B1701481000	FEED DRIVING SHAFT				1
29	40133993	FEED ROCKER SHAFT BUSHING				1
30	SS8151150SP	SCREW 15/64-28 L=10.5				1
31	CQ303000000	OIL WICK				0.2
32	22904155	MAIN SHAFT THRUST COLLAR ASM.				1
33	SS8660610TP	SCREW 1/4-40 L=6		*		2
34	B1702155000	BUSHING REAR				1
35	SS8150710SP	SCREW 15/64-28 L=7				1
36	B17031550A0	FEED DRIVING SHAFT CRANK ASM.				1
37	SS6121610TP	SCREW 3/16-28 L=15.5		*		1
38	NS6680410SP	NUT 9/32-28				1
39	SD1020701SP	HINGE SCREW D=10.2 H=7				1
40	B17014840A0	FEED DRIVING CAM ASM.				1
41	SS8660810TP	SCREW 1/4-40 L=8		*		2
42	SS2090710TP	SCREW 9/64-40 L=7.2		*		2
43	B1708481000	FEED DRIVING SHAFT CONNECTING				1
44	B171248100B	NEEDLE BEARING	SELECTIVE PARTS			1

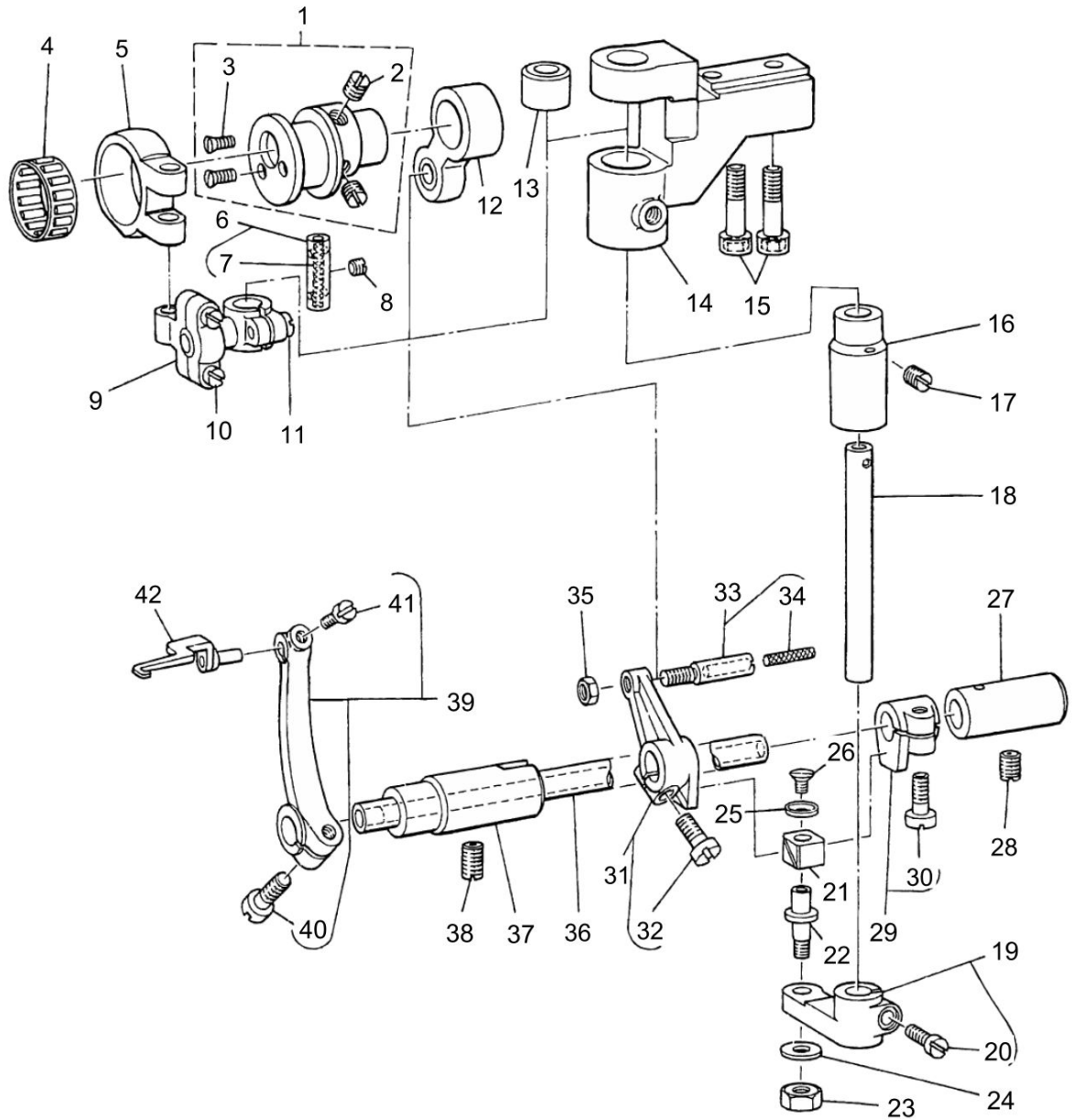
DIFFERENTIAL FEED MECHANISM COMPONENTS



DIFFERENTIAL FEED MECHANISM COMPONENTS

No.	Parts No.	Parts name	Remarks	Level	Cons	Qty
1	B1647704000A	DIFFERENTIAL FEED LOCK NUT				1
2	B1670484000	SCREW				1
3	SS5110810SP	SCREW 11/64-40 L=8				2
4	WP0480856SP	WASHER 4.8X8.4X0.8				2
5	WP0621016SD	WASHER 6.2X13X1				1
6	SS6080320SP	SCREW 1/8-44 L=2.5				2
7	B1667484000	DIFFERENTIAL FEED GRADUATION				1
8	B1666484000	DIFFERENTIAL FEED LEVER BRACKET				1
9	B1669484000	DIFFERENTIAL FEED STOPPER				2
10	SS7110710SP	SCREW 11/64-40 L=7				2
11	WP0480856SP	WASHER 4.8X8.4X0.8				2
12	SS7090520TP	SCREW 9/64-40 L=4.5				2
13	B1668484000	POINTER				1
14	B16654840A0	DIFFERENTIAL FEED LEVER ASM.				1
15	SS7111120SP	SCREW 11/64-40 L=10.5		*		1
16	NS6110420SP	NUT 11/64-40				1
17	B1672484000	COLLAR				1
18	B1664484000	DIFFERENTIAL FEED LEVER SHAFT				1
19	RO061180100	RUBBER RING				1
20	B16634840A0	DIFFERENTIAL FEED ARM ASM.				1
21	SS7111410TP	SCREW 11/64-40 L=14		*		1
22	RO069180100	RUBBER RING				1
23	B16714840A0	LEVER SHAFT CRANK ASM.				1
24	SS7111120SP	SCREW 11/64-40 L=10.5		*		1
25	NS6620310SP	NUT 3/16-32				1
26	SD0640322TP	HINGE SCREW D=6.35 H=3.2				1
27	B1662484000	DIFFERENTIAL FEED ROCKER ROD				1
28	B16584840A0	DIFFERENTIAL FEED ROCKER ASM.				1
29	SS7111410TP	SCREW 11/64-40 L=14		*		2
30	B1654484000	BUSHING REAR				1
31	SS8150710SP	SCREW 15/64-28 L=7				1
32	B1657484000	CONNECTING ROD				1
33	B1661484000	SLIDE BLOCK PIN				1
34	B1659484000	SLIDE BLOCK				2
35	SS4080620TP	SCREW 1/8-44 L=6				2
36	B16514840A0	DIFFERENTIAL FEED SHAFT ASM.				1
37	CQ303000000	OIL WICK		*		0.1

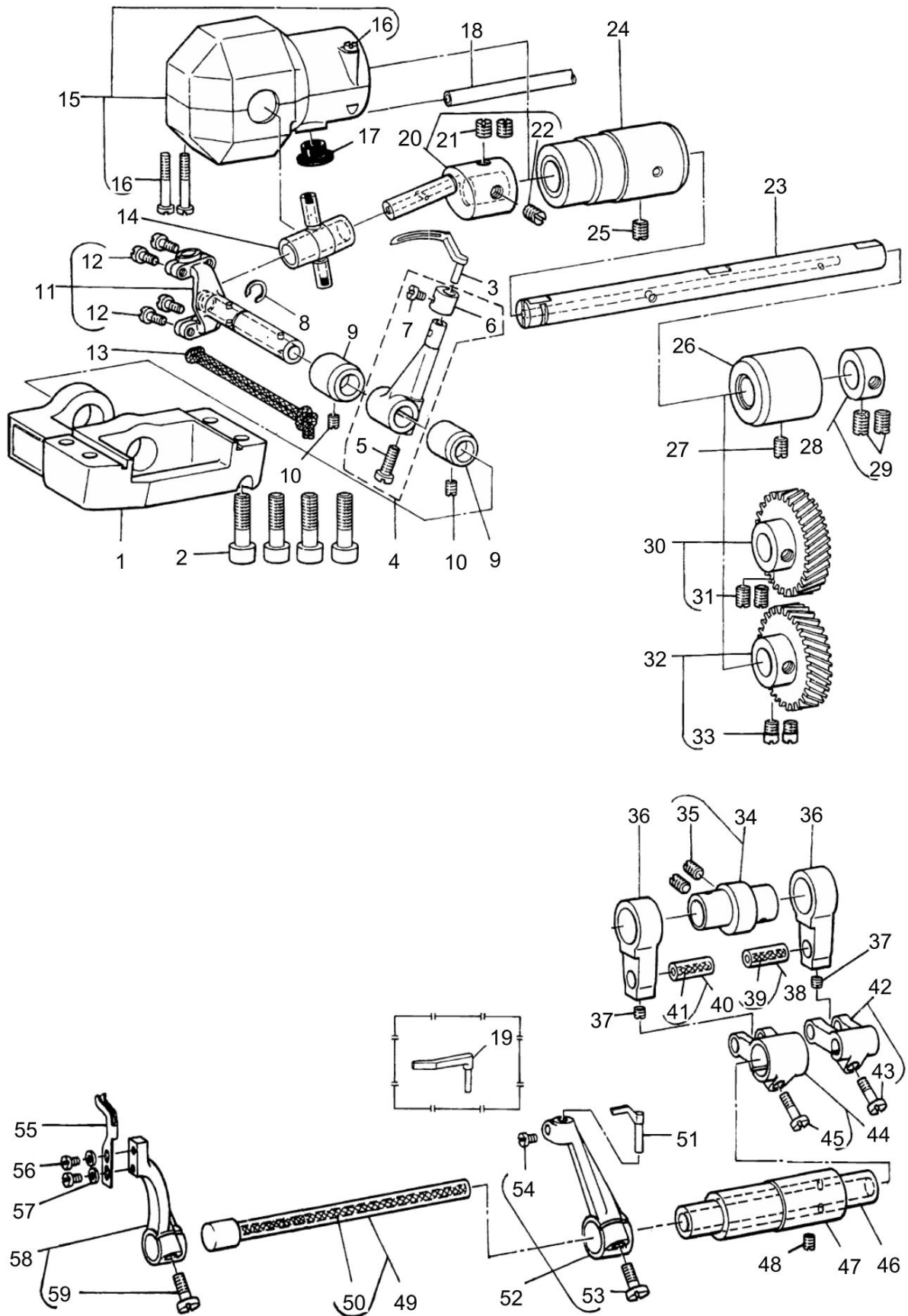
THREAD SPREADER COMPONENTS



THREAD SPREADER COMPONENTS

No.	Parts No.	Parts name	Remarks	Level	Cons	Qty
1	D2101481CA0	THREAD SPREADER ECCENTRIC ASM.				1
2	SS8150710TP	SCREW 15/64-28 L=7		*		2
3	SS2080810SP	SCREW 1/8-44 L=7.5		*		2
4	B210348100B	BEARING	SELECTIVE PARTS			1
5	B2105481000	LEFT & RIGHT DRIVING ROD A				1
6	B14033520A0	PIN				1
7	CQ202000000	OIL WICK		*		0.1
8	SS8110410TP	SCREW 11/64-40 L=3.5				1
9	B21064810A0	LEFT & RIGHT DRIVING ROD(B) ASM.				1
10	SD0450701TP	HINGE SCREW D=4.5 H=7				2
11	SS7111110TP	SCREW 11/64-40 L=10.5				1
12	B21174810A0	FORE & AFT DRIVING ROD ASM.				1
13	B2110481000A	BUSHING UPPER				1
14	B2109481000A	MOUNTING BASE				1
15	SM6062002TP	SCREW M6 L=20				2
16	B2111481000A	BUSHING LOWER				1
17	SS8150710SP	SCREW 15/64-28 L=7				1
18	B2108481000	LEFT & RIGHT DRIVING SHAFT				1
19	B21124810A0	SLIDE BLOCK BRACKET				1
20	SS7111110TP	SCREW 11/64-40 L=10.5		*		1
21	B1414232000	SQUARE BLOCK				1
22	B1827232000	SLIDE ROLLER STUD				1
23	NS6120310SP	NUT 3/16-28				1
24	WP0501016SD	WASHER 5X10.5X1				1
25	B1715481000	COUNTER-SUNK WASHER				1
26	SS1080510SP	SCREW 1/8-44 L=5				1
27	B2124481000	BUSHING REAR				1
28	SS8150710SP	SCREW 15/64-28 L=7				1
29	B21154810A0	SLIDE BLOCK ASM.				1
30	SS6121220TP	SCREW 3/16-28 L=11.5		*		1
31	B21204810A0	FORE & AFT DRIVING ARM ASM.				1
32	SS6121220TP	SCREW 3/16-28 L=11.5		*		1
33	B21194810A0	PIN				1
34	CQ202000000	OIL WICK		*		0.1
35	NS6120310SP	NUT 3/16-28				1
36	B2122481000	THREAD SPREADER DRIVING SHAFT				1
37	B2123481000	BUSHING FRONT				1
38	SS8150710SP	SCREW 15/64-28 L=7				1
39	B21254810A0	THREAD SPREADER DRIVING ARM ASM.				1
40	SS6121220TP	SCREW 3/16-28 L=11.5		*		1
41	SS7090520TP	SCREW 9/64-40 L=4.5		*		1
42	B21264810A0	THREAD SPREADER ASM.				1

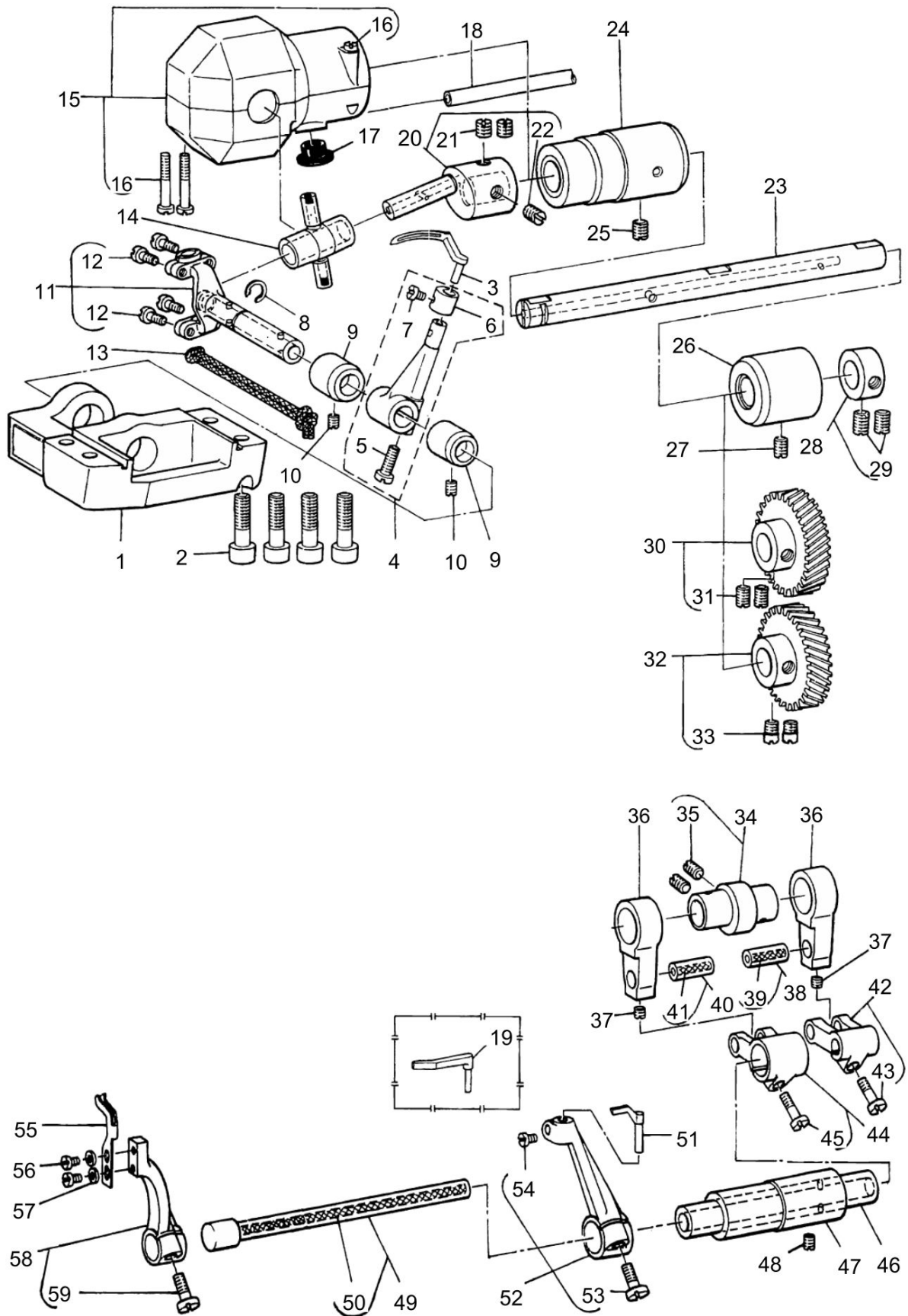
LOOPER & NEEDLE GUARD COMPONENTS



LOOPER & NEEDLE GUARD COMPONENTS

No.	Parts No.	Parts name	Remarks	Level	Cons	Qty
1	B2013481000A	LOOPER MOUNTING BASE				1
2	SM6062002TP	SCREW M6 L=20				4
3	B2030481000	LOOPER				1
4	B20154810A0	LOOPER ROCKER ASM.				1
5	SS6121220TP	SCREW 3/16-28 L=11.5		*		1
6	B2025481000	COLLAR		*		1
7	SS7090520TP	SCREW 9/64-40 L=4.5		*		1
8	B2032481000	LOOPER DRIVING LINK SET RING				1
9	B2012481000	BUSHING REAR				2
10	SS8110410TP	SCREW 11/64-40 L=3.5				2
11	B20104810A0	LOOPER ROCKER SHAFT ASM.				1
12	SS7090910TP	SCREW 9/64-40 L=8.5		*		4
13	CQ252000000	OIL WICK				0.2
14	B2008481000	TRUNNION				1
15	B20144810A0	LOOPER CRANK COVER ASM.				1
16	SS6092120SP	SCREW 9/64-40 L=21.2		*		3
17	TA1050504R0	RUBBER PLUG				1
18	BT0500300E0	OIL TUBE				0.1
19	B2312481000	NEEDLE GUARD	SPECIAL ORDER PARTS			1
20	B20064810A0	LOOPER CRANK(WITH SCREW)				1
21	SS8660810TP	SCREW 1/4-40 L=8		*		2
22	B2007481000	LOOPER CRANK ADJUSTING SCREW		*		1
23	B2001481000A	LOOPER CRANK DRIVING SHAFT				1
24	B2002481000	BUSHING FRONT				1
25	SS8150710SP	SCREW 15/64-28 L=7				1
26	B1803481000	BUSHING INTERMEDIATE				1
27	SS8150710SP	SCREW 15/64-28 L=7				1
28	CS111121ASH	THRUST COLLAR ASM. D=11.11 W=12				1
29	SS8660810TP	SCREW 1/4-40 L=8		*		2
30	B20044810A0	GEAR UPPER				1
31	SS8660810TP	SCREW 1/4-40 L=8		*		2
32	B20054810AB	GEAR LOWER	SELECTIVE PARTS			1
33	SS6660610TP	SCREW 1/4-40 L=6		*		2
34	B23014810A0	NEEDLE GUARD CAM				1
35	SS8150710TP	SCREW 15/64-28 L=7		*		2
36	B2302481000	NEEDLE GUARD CRANK ROD				2
37	SS8110410TP	SCREW 11/64-40 L=3.5				2
38	B16104300A0	PIN ASM.				1
39	CQ303000000	OIL WICK		*		0.1
40	B16104300A0	PIN ASM.				1
41	CQ303000000	OIL WICK		*		0.1
42	B23034810A0	LOOP GUIDE ROCKER FORK ASM.				1
43	SS7111110TP	SCREW 11/64-40 L=10.5		*		1
44	B23044810A0	REAR NEEDLE GUARD ROCKER FORK ASM.				1
45	SS7111310TP	SCREW 11/64-40 L=12.8		*		1
46	B2306481000	NEEDLE GUARD DRIVING SHAFT				1
47	B2307481000	BUSHING				1

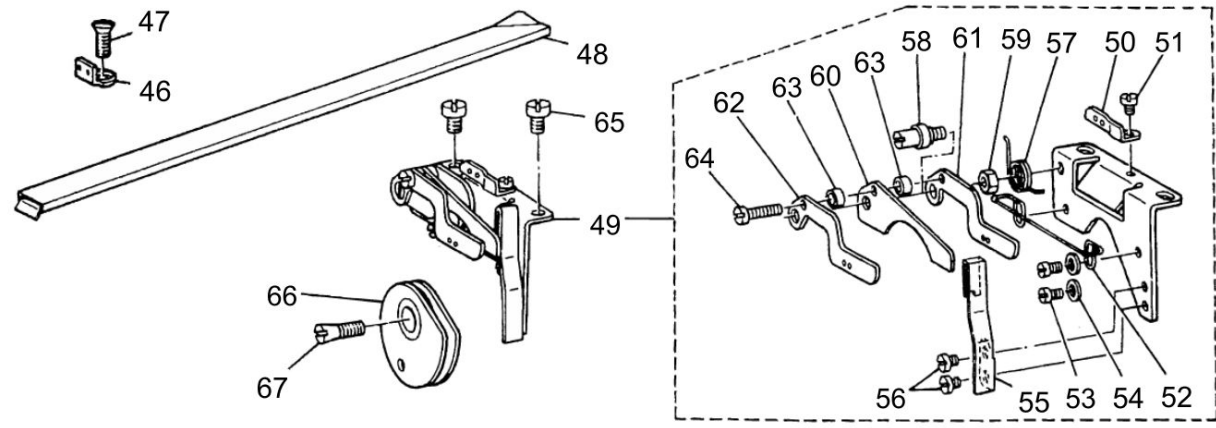
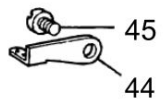
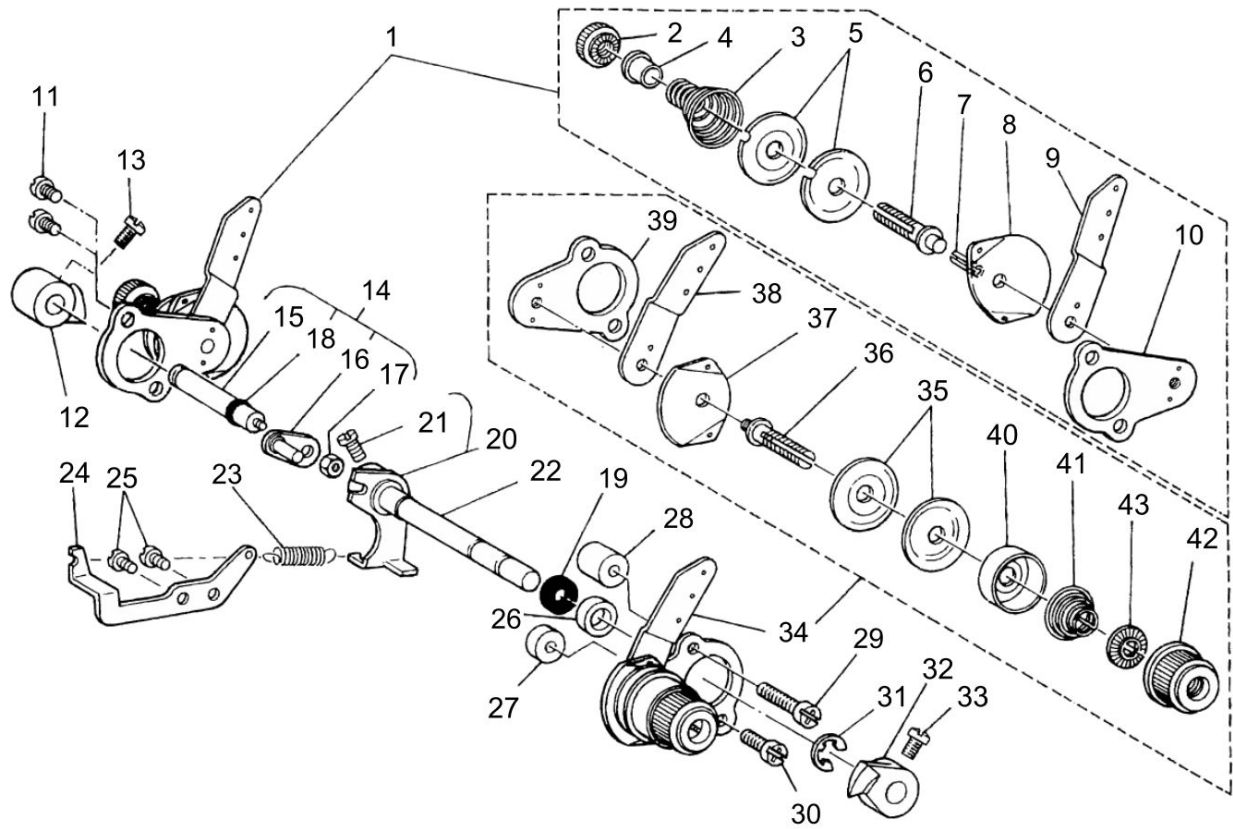
LOOPER & NEEDLE GUARD COMPONENTS



LOOPER & NEEDLE GUARD COMPONENTS

No.	Parts No.	Parts name	Remarks	Level	Cons	Qty
48	SS8150710SP	SCREW 15/64-28 L=7				1
49	B23054810A0	LOOP GUIDE DRIVING SHAFT ASM.				1
50	CQ252000000	OIL WICK		*		0.3
51	B2311481000A	NEEDLE GUARD				1
52	B23094810A0	REARNEEDLEGUARDROCKERARMASM.				1
53	SS6121220TP	SCREW 3/16-28 L=11.5		*		1
54	SS7090910TP	SCREW 9/64-40 L=8.5		*		1
55	B2310481000	LOOP GUIDE				1
56	SS7090520TP	SCREW 9/64-40 L=4.5				2
57	WP0371026SD	WASHER 3.7X7X1				2
58	B23084810A0	LOOP GUIDE ROCKER ARM				1
59	SS6121220TP	SCREW 3/16-28 L=11.5		*		1

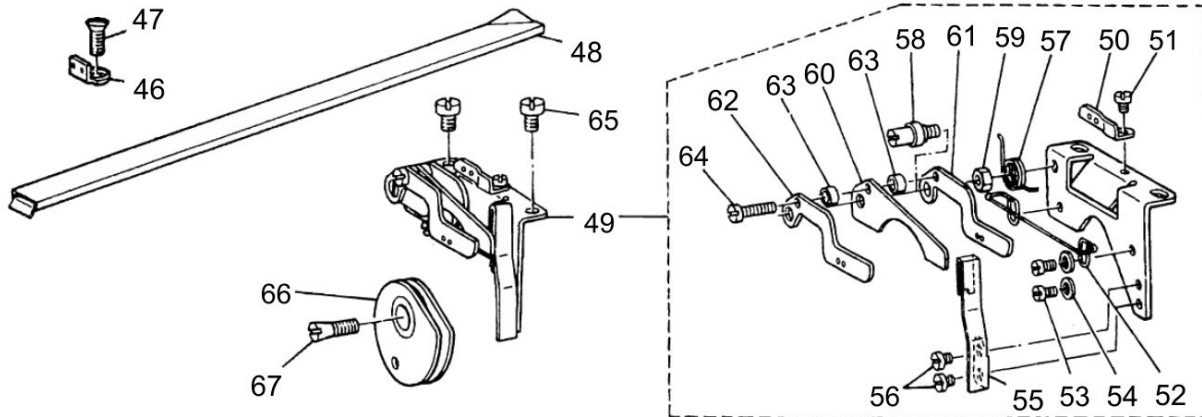
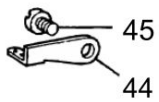
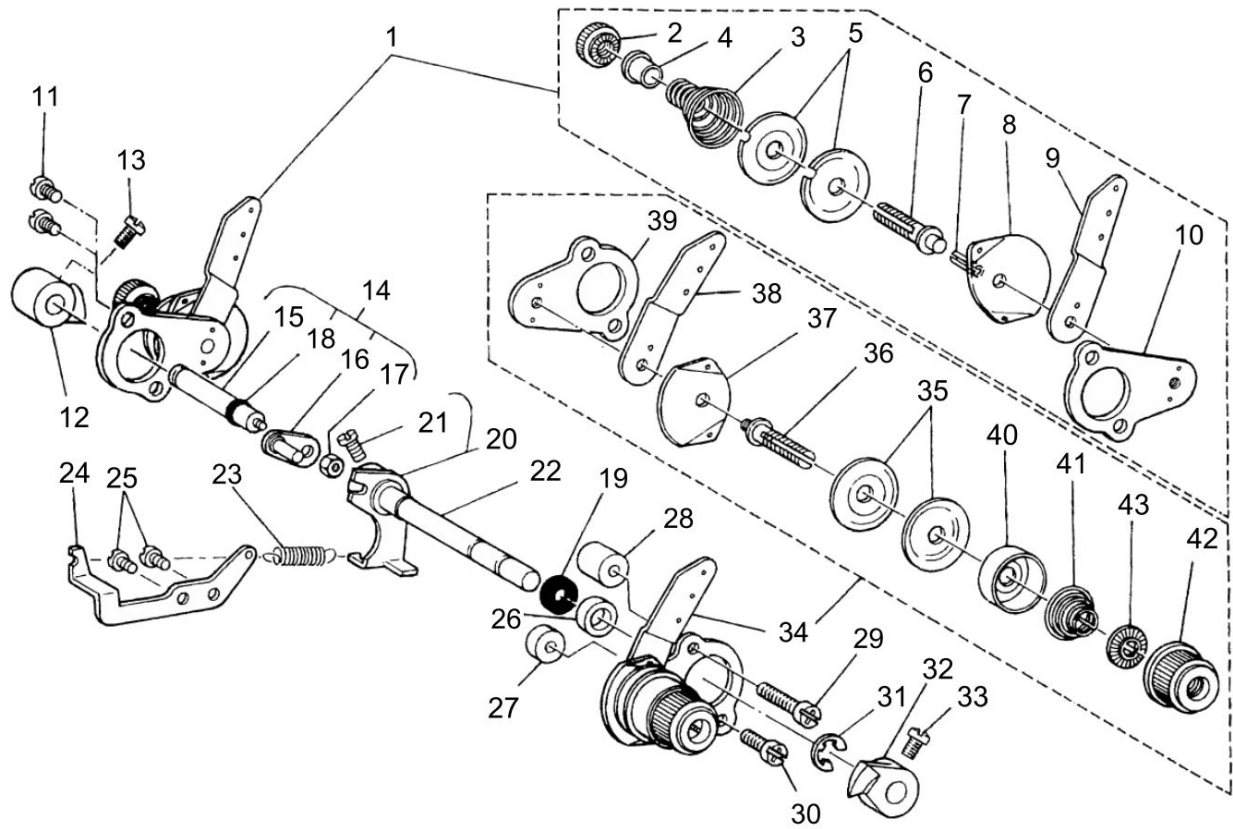
THREAD TENSION CONTROLLER COMPONENTS



THREAD TENSION CONTROLLER COMPONENTS

No.	Parts No.	Parts name	Remarks	Level	Cons	Qty
1	B31034810A0	LOOPER THREAD TENSION ASM.				1
2	11072204	TENSION NUT		*		1
3	B3106481000	LOOPER THREAD TENSION SPRING		*		1
4	B3120125000	ROTATING STOPPER		*		1
5	B3126352000	TENSION DISC		*		2
6	B3104481000	LOOPER THREAD TENSION POST		*		1
7	PS0200102KH	SPRING PIN 2.0X10		*		1
8	B3106380000	THREAD GUIDE		*		1
9	B3103481000	LOOPER THREAD TENSION CONTROL		*		1
10	B3101481000	TENSION CONTROLLER INSTALLING		*		1
11	SS4110715SP	SCREW 11/64-40 L=7				2
12	B3121481000	LOOPER THREAD TENSION RELEASE				1
13	SS6110420TP	SCREW 11/64-40 L=4.8				1
14	B31354810B0	LOOPER THREAD RELEASE SHAFT ASM.				1
15	B3135481000	LOOPER THREAD RELEASE SHAFT		*		1
16	D3136481CA0	TENSION RELEASE ARM ASM.		*		1
17	NS6110310SP	NUT 11/64-40		*		1
18	RO037180100	RUBBER RING		*		1
19	B1522552000	OIL SEAL RING				1
20	D3130481CA0	TENSION RELEASE ARM ASM.				1
21	SS6110710TP	SCREW 11/64-40 L=6.5		*		1
22	D3110481C00	TENSION RELEASE SHAFT				1
23	D3134481C00	SPRING				1
24	D3133481C00	SUSPENSION BRACKET				1
25	SS4110715SP	SCREW 11/64-40 L=7				2
26	B3115481000	TENSION RELEASE SHAFT SPACER				1
27	B3116481000	SPACER(A) FOR INSTALLING PLATE				1
28	B3117481000	SPACER(B) FOR INSTALLING PLATE				1
29	SS4112515SP	SCREW 11/64-40 L=25				1
30	SS4111415SP	SCREW 11/64-40 L=14				1
31	RE0600000K0	E-RING 6				1
32	B3120481000	NEEDLE THREAD TENSION RELEASE				1
33	SS6110420TP	SCREW 11/64-40 L=4.8				1
34	B31024810A0	NEEDLE THREAD TENSION ASM.				1
35	B3126012000	THREAD TENSION DISK		*		2
36	B3104481000	LOOPER THREAD TENSION POST		*		1
37	B2306019000	TENSION THREAD GUIDE		*		1
38	B3102481000	NEEDLE THREAD TENSION GUIDE PLATE		*		1
39	B3101481000	TENSION CONTROLLER INSTALLING		*		1
40	B3107704000	TENSION DISC PRESSER TUBE		*		1
41	B3129012A00	TENSION SPRING		*		1
42	B3119771000	THREAD TENSION NUT		*		1
43	B3120125000	ROTATING STOPPER		*		1
44	B3122481000	FRAME THREAD GUIDE				1
45	SS4110515SP	SCREW 11/64-40 L=5				1
46	B2201481000A	LOOPER THREAD GUIDE				1
47	SS1110710SP	SCREW 11/64-40 L=7				1

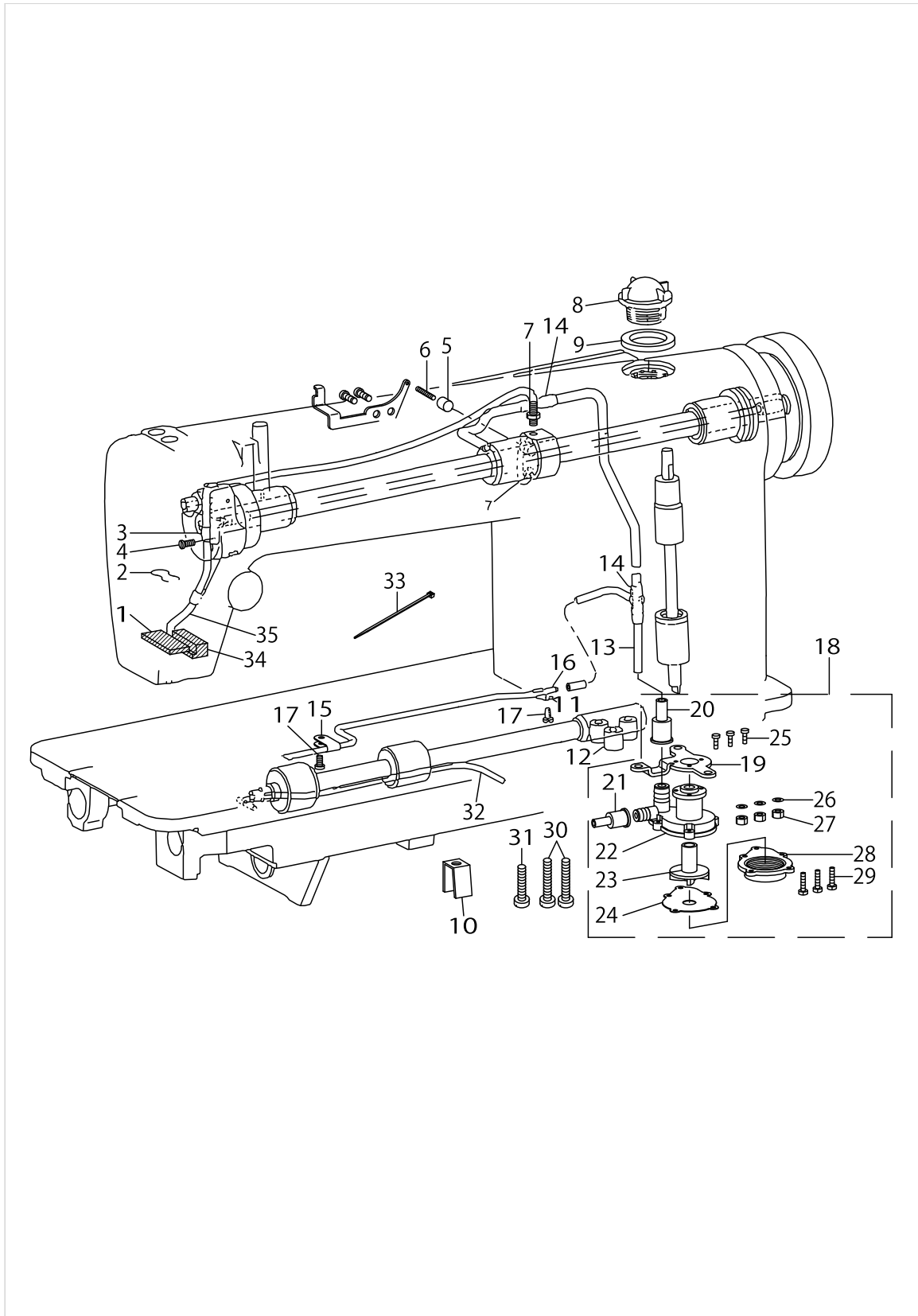
THREAD TENSION CONTROLLER COMPONENTS



THREAD TENSION CONTROLLER COMPONENTS

No.	Parts No.	Parts name	Remarks	Level	Cons	Qty
48	B2202481000	LOOPER THREAD GUIDE TUBE				1
49	B22104810A0	LOOPER THREAD GUIDE ASM.				1
50	B2203481000	LOOPER THREAD GUIDE(B)		*		1
51	SS6080320SP	SCREW 1/8-44 L=2.5		*		1
52	B2218481000	CAST-OFF WIRE		*		1
53	SS6080410SP	SCREW 1/8-44 L=4		*		2
54	WP0371026SD	WASHER 3.7X7X1		*		2
55	B2217481000	THREAD GUIDE STOPPER SPRING		*		1
56	SS6080320SP	SCREW 1/8-44 L=2.5		*		2
57	B2216481000	THREAD GUIDE SPRING		*		1
58	B2214481000	THREAD GUIDE STUD		*		1
59	NS6110310SP	NUT 11/64-40		*		1
60	B2213481000	CAST-OFF PLATE		*		1
61	B2212481000	LOOPER THREAD GUIDE RIGHT		*		1
62	B2211481000	LOOPER THREAD GUIDE LEFT		*		1
63	B2215481000	COLLAR		*		2
64	SS7081310SP	SCREW 1/8-44 L=12.5		*		1
65	SS4110515SP	SCREW 11/64-40 L=5				2
66	B2220481010	LOOPER THREAD TAKE-UP				1
67	B2225481000	SCREW				1

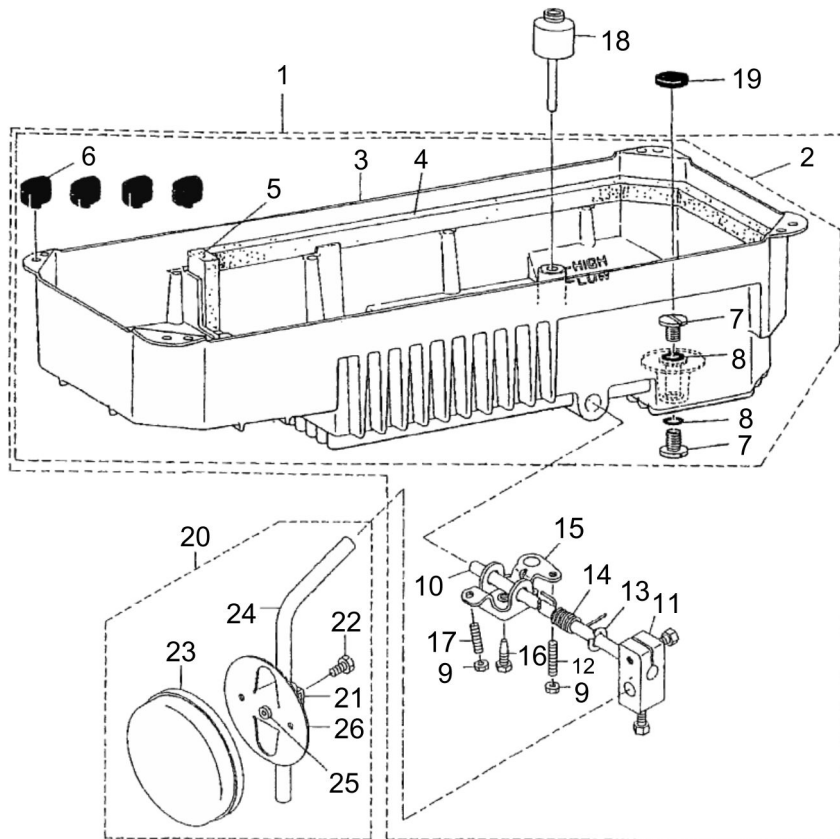
OIL LUBRICATION MECHANISM COMPONENTS



OIL LUBRICATION MECHANISM COMPONENTS

No.	Parts No.	Parts name	Remarks	Level	Cons	Qty
1	B3528552000	OIL RETURN FELT				1
2	22925101	OIL FELT PRESSER				1
3	D3536555B00	OIL RETURN TUBE PRESSER PLATE				1
4	SS4110715SP	SCREW 11/64-40 L=7				1
5	B3534155000	PLUNGER				1
6	B1214038000	PLUNGER SPRING				1
7	SQ1110401MZ	CONNECTING SCREW				2
8	B3530555000	OIL SIGHT WINDOW				1
9	RO195240100	RUBBER RING				1
10	B3545122000	OIL GUARD				1
11	B2657771000	GUIDE				1
12	B3552481000	OIL PUMP INSTALLING COLLAR				3
13	B3513484000	MAIN SHAFT OIL PIPE				1
14	B3527415000	RUBBER JOINT				2
15	B3554481000	HOLDER				1
16	B3553481000	GEAR OIL PIPE				1
17	SS4110715SP	SCREW 11/64-40 L=7				2
18	B35015550A0	LUBRICATING OIL PUMP ASM.				1
19	B3503555000	OIL PUMP INSTALLING BASE		*		1
20	B3505555000	RUBBER JOINT		*		1
21	B3506555000	RUBBER JOINT		*		1
22	B3501555000	LUBRICATING OIL PUMP		*		1
23	B3507555000	OIL PUMP IMPELLER		*		1
24	B3508555000	OIL PUMP IMPELLER COVER		*		1
25	SM4031001SC	SCREW M3X0.5 L=10		*		3
26	WT0320002KZ	WASHER		*		3
27	NM60300000E	NUT M3X0.5		*		3
28	B3502555000A	LUBRICATING OIL PUMP COVER		*		1
29	SE4301031SR	SCREW		*		5
30	SS6123010SP	SCREW 3/16-28 L=30.0				2
31	SS6122510SP	SCREW 3/16-28 L=25				1
32	B3521481000A	LUBRICATING OIL PIPE				1
33	EA9500B0100	CABLE BAND				1
34	B3526226000	OIL SPONGE				1
35	BP300000000	VINYL PIPE				0.4

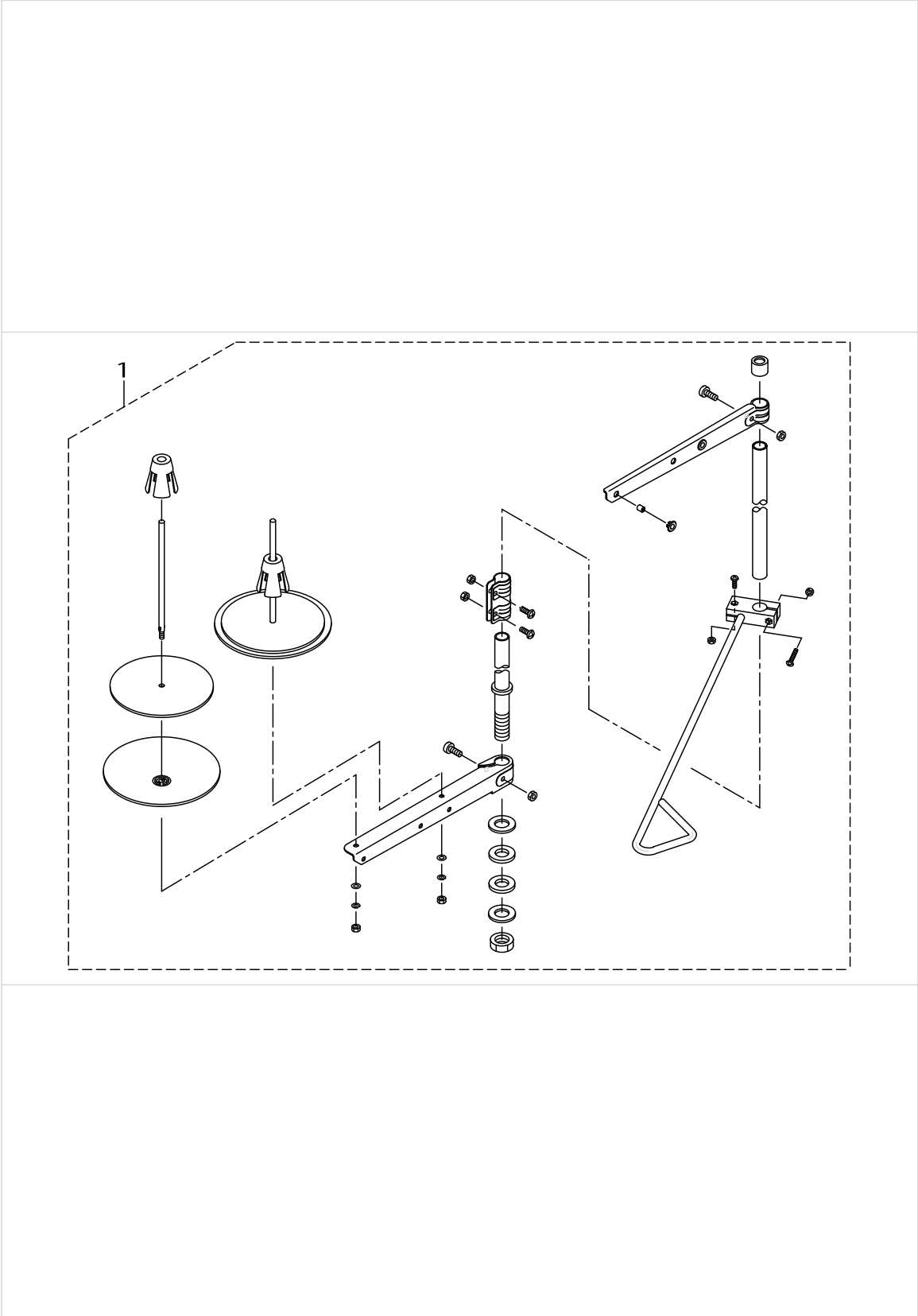
OIL RESERVOIR & KNEE LIFTER COMPONENTS



OIL RESERVOIR & KNEE LIFTER COMPONENTS

No.	Parts No.	Parts name	Remarks	Level	Cons	Qty
1	B8217481AD0	OIL RESERVOIR ASM.				1
2	B8217481AC0	OIL RESERVOIR ASM.		*		1
3	B8217481000	OIL RESERVOIR		*		1
4	B8235481000	GASKET A		*		2
5	B8237481000	GASKET C		*		1
6	D8227555E00	FELT CUSHION		*		4
7	SS7701010SP	SCREW 5/16-24 L=10		*		2
8	RO068190100	RUBBER RING		*		2
9	NM6060001SE	NUT M6		*		2
10	B3420555000	KNEE PRESS ROD		*		1
11	22932453	BRACKET ASM.		*		1
12	SM8063012TR	SCREW M6 L=30		*		1
13	B3426552000	THRUST RING		*		1
14	11024106	SPRING		*		1
15	B3425555000A	KNEE LIFTER ROTATION ARM		*		1
16	SM9061853SR	SCREW M6 L=17.5		*		1
17	SM8063012TR	SCREW M6 L=30		*		1
18	B3421555000	KNEE PRESS LIFTER ROD				1
19	B8228125000	OIL RESERVOIR MAGNET				1
20	22934251	KNEE PAD PLATE ASM.				1
21	22934301	KNEE PAD PLATE SUPPORT		*		1
22	SM9061203SE	SCREW M6 L=12		*		1
23	22934509	KNEE PAD PLATE COVER		*		1
24	22934608	KNEE PAD UPRIGHT SHAFT		*		1
25	22934400	KNEE PAD PLATE RUBBER		*		1
26	22934202	KNEE PAD PLATE		*		1

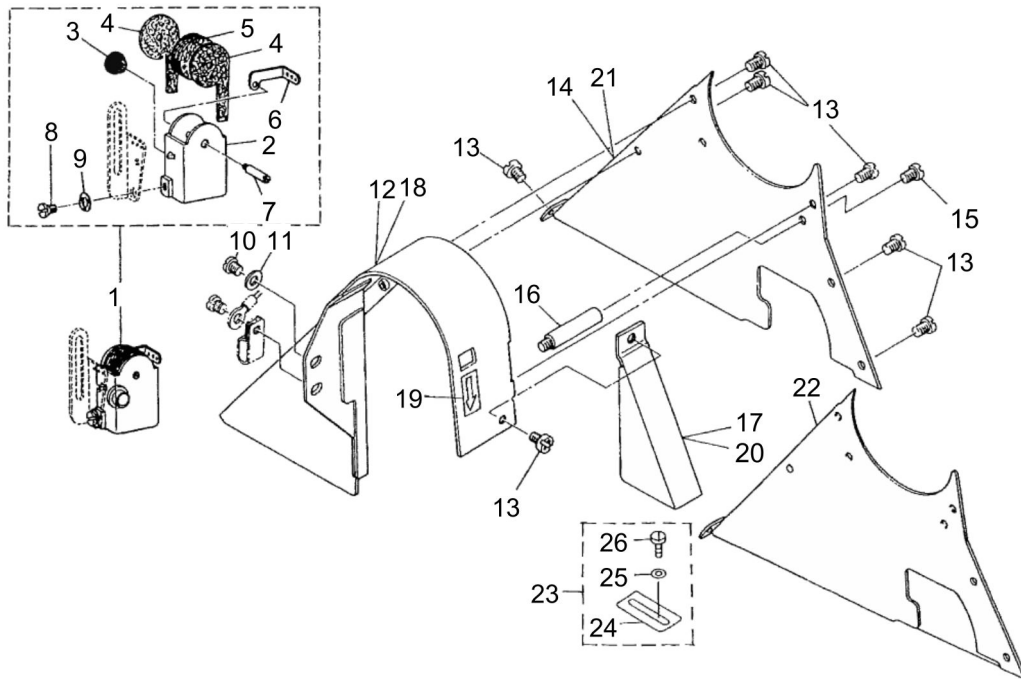
THREAD STAND COMPONENTS



THREAD STAND COMPONENTS

No.	Parts No.	Parts name	Remarks	Level	Cons	Qty
1	40111351	THREAD STAND ASM.				1

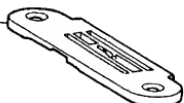
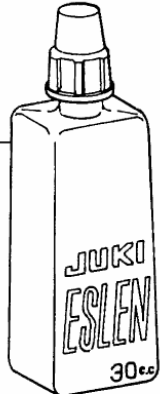
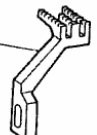
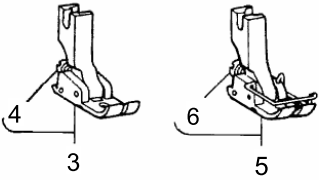
SILICON OIL LUBRICANT & BELT COVER COMPONENTS



SILICON OIL LUBRICANT & BELT COVER COMPONENTS

No.	Parts No.	Parts name	Remarks	Level	Cons	Qty
1	B11614810B0	SILICONE OIL LUBRICANT ASM.	SPECIAL ORDER PARTS			1
2	B1161481000A	SILICON OIL CASE	SPECIAL ORDER PARTS	*		1
3	TA1050504R0	RUBBER PLUG	SPECIAL ORDER PARTS	*		1
4	B1166481000	SILICON OIL FELT	SPECIAL ORDER PARTS	*		2
5	B1162481000	SILICON OIL FELT	SPECIAL ORDER PARTS	*		5
6	B1167481000	SILICON THREAD GUIDE	SPECIAL ORDER PARTS	*		1
7	B1168481000	SCREW	SPECIAL ORDER PARTS	*		1
8	SD0640231SP	HINGE SCREW D=6.35 H=2.3	SPECIAL ORDER PARTS	*		1
9	WZ0641510KP	WAVED WASHER 6.4X11X0.3	SPECIAL ORDER PARTS	*		1
10	SS4150915SP	SCREW 15/64-28 L=9				2
11	WP0621016SD	WASHER 6.2X13X1				2
12	D8230555E00	BELT COVER				1
13	SS4110515SP	SCREW 11/64-40 L=5				7
14	D8231555E00	BELT COVER TOP				1
15	SS4110815SP	SCREW 11/64-40 L=8				1
16	D8232555B00	BELT COVER SUPPORT				1
17	D8232555E00	THREAD WINDER COVER				1
18	B82303800A0	BELT COVER	FOR URBAN WHITE			1
19	CM500300001	DIRECTION LABEL	FOR URBAN WHITE			1
20	D8232555E0A	BOBBIN WINDER COVER	FOR URBAN WHITE			1
21	D8231555E0B	BELT COVER TOP	FOR URBAN WHITE			1
22	B8231380000	BELT COVER TOP	FOR JE & USE IN JAPAN			1
23	10163152	BELT COVER SUPPORT PLATE ASM.	FOR JE			1
24	10163103	BELT COVER SUPPORT PLATE		*		1
25	WP0501016SC	WASHER 5X10.5X1		*		1
26	SK3482500SC	WOOD SCREW D=4.8 L=25		*		1

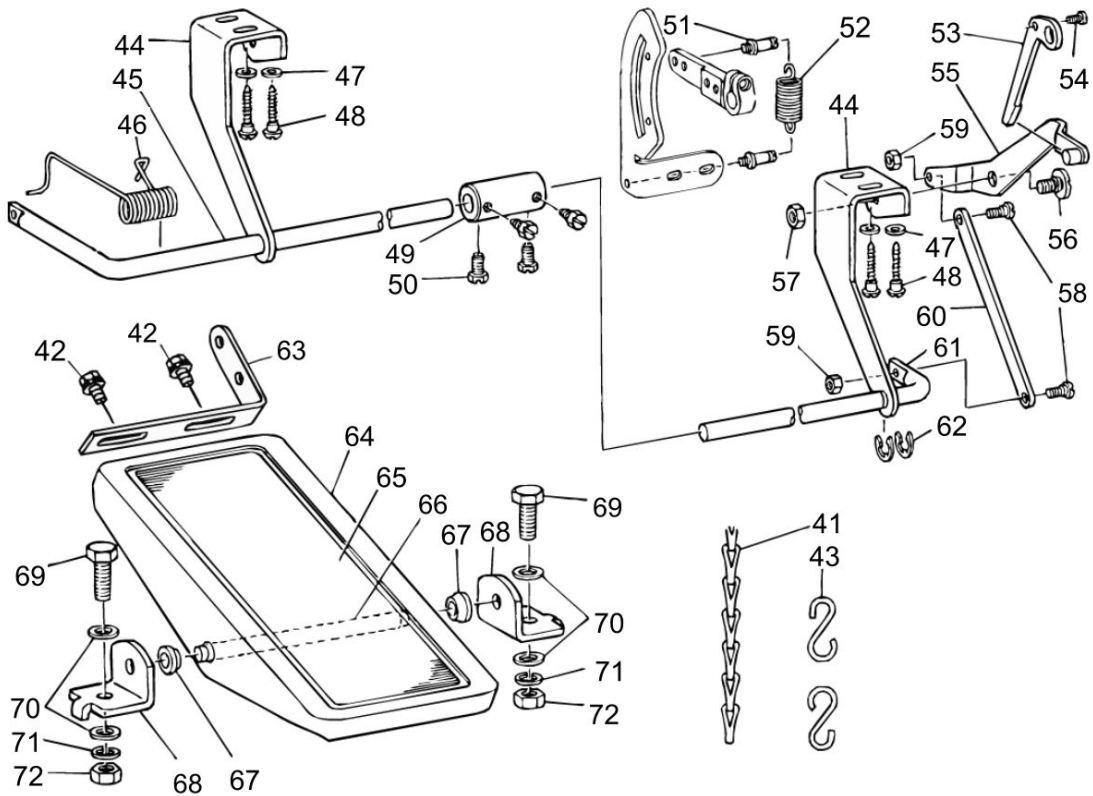
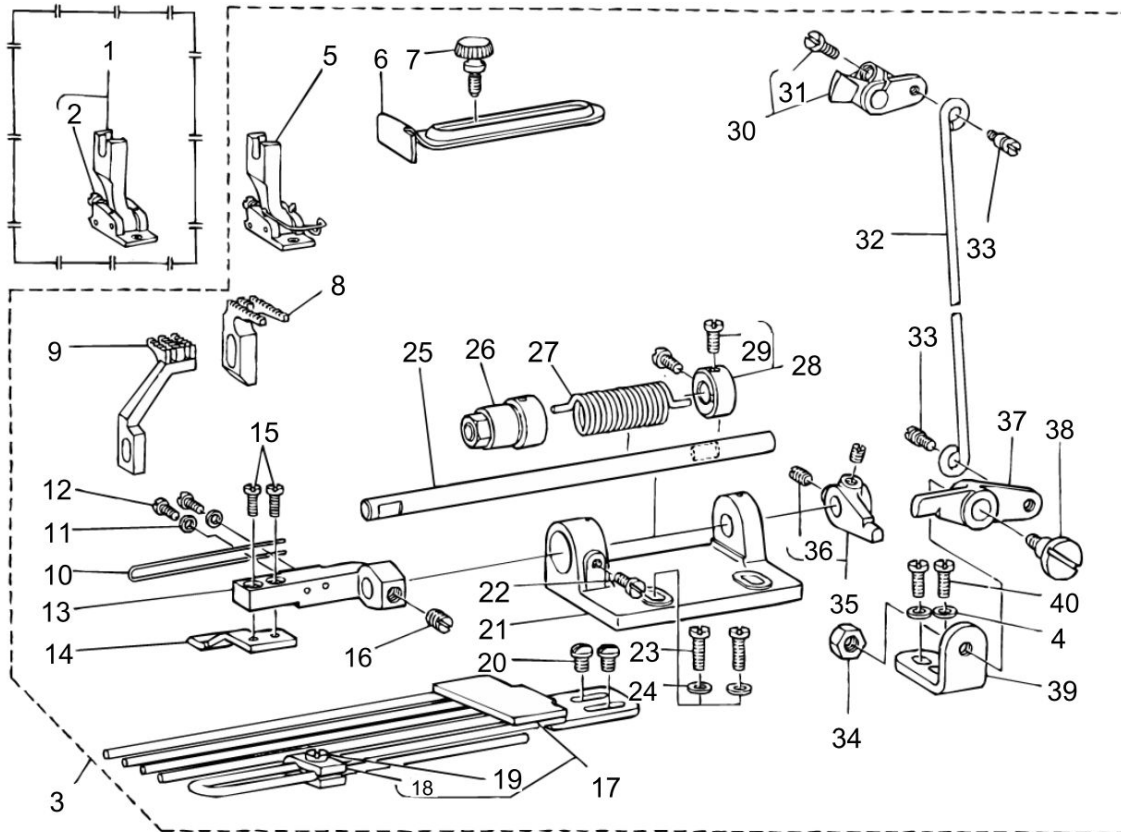
EXCHANGING PARTS COMPONENTS (SPECIAL ORDER PARTS)

<p>THROAT PLATE FOR LIGHT WEIGHT MATERIALS 薄物用針板</p> <p>1</p> 	<p>ACCESSORIES 付属品</p> 
<p>FEEED DOG (REVERSE TEETH) FOR STRETCHING 伸し用送り歯 (逆歯)</p> <p>2</p> 	
<p>PRESSER FOOT FOR ATTACHING GATHER 一枚ひだ付け用押え</p> <p>3 4 5 6</p> 	

EXCHANGING PARTS COMPONENTS (SPECIAL ORDER PARTS)

No.	Parts No.	Parts name	Remarks	Level	Cons	Qty
1	B1103484B00	THROAT PLATE				1
2	B1653484C00	DIFFERENTIAL FEED DOG				1
3	B1524484DA0	PRESSER FOOT ASM.				1
4	SS5060310SP	SCREW 3/32-56 L=2.8		*		1
5	B1524484DB0	PRESSER FOOT ASM.(FINGER GUARD)				1
6	SS5060310SP	SCREW 3/32-56 L=2.8		*		1
7	B91351230B0	SILICON OIL LUBRICANT ASM. (30CC)				1

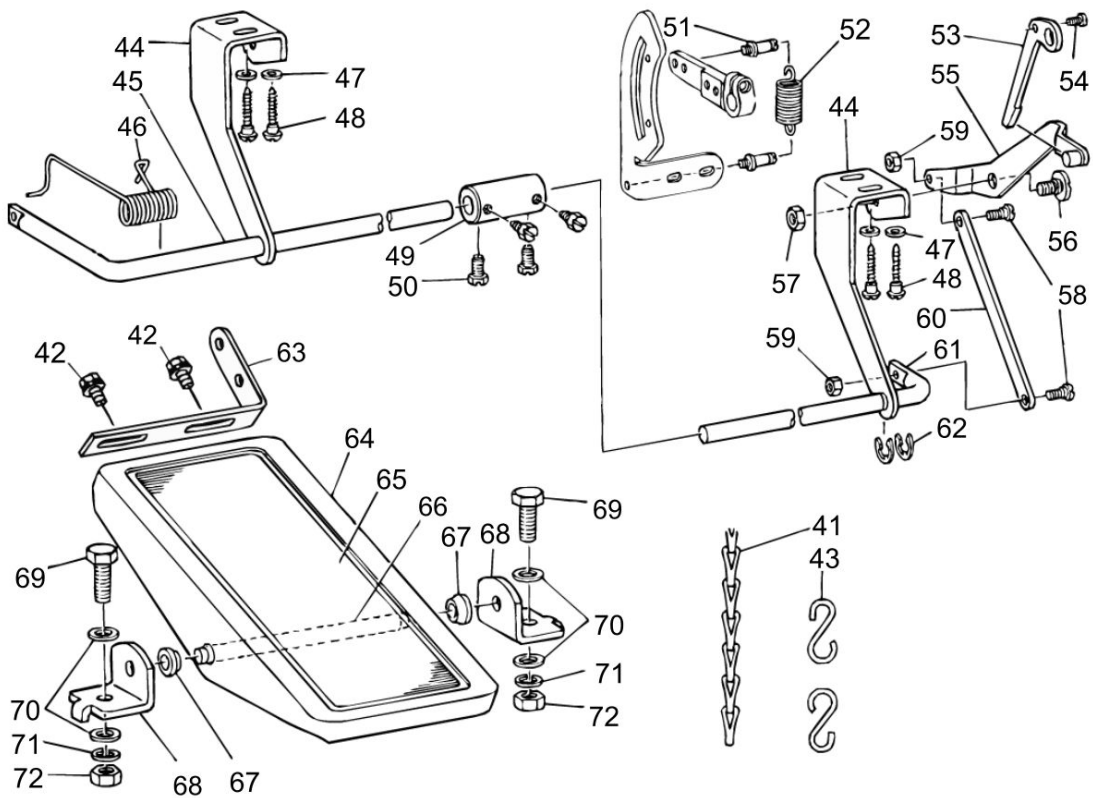
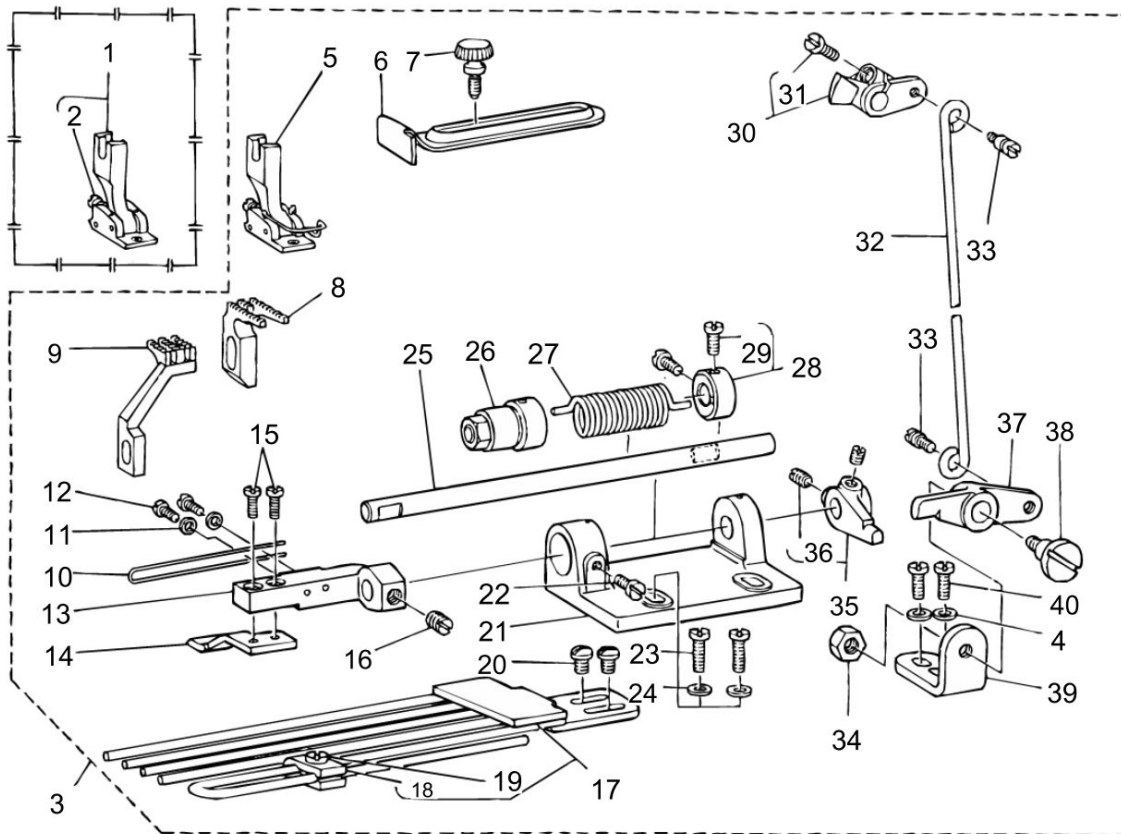
S060 GATHERING ATTACHMENT / S061 INTERMITTENT GATHERING ATTACHMENT



S060 GATHERING ATTACHMENT / S061 INTERMITTENT GATHERING ATTACHMENT

No.	Parts No.	Parts name	Remarks	Level	Cons	Qty
1	MAS060010A0	PRESSER FOOT ASM.	SPECIAL ORDER PARTS			1
2	SS5060310SP	SCREW 3/32-56 L=2.8		*		1
3	MAS060000A0	GATHERING UNIT				1
4	WP0480856SP	WASHER 4.8X8.4X0.8		*		2
5	MAS060010B0	PRESSER FOOT ASM. (FINGER GUARD)		*		1
6	MAS06018000	STITCH GUIDE (GATHERING)		*		1
7	A1132001000	PRESSER FOOT SCREW		*		1
8	MAS06002000	MAIN FEED DOG (GATHERING)		*		1
9	MAS06003000	DIFFERENTIAL FEED DOG (GATHERING)		*		1
10	MAS06017000	FRONT PRESSER FOOT WIRE		*		1
11	WP03305000E	WASHER 3.3X6X0.5		*		2
12	SS6080710SP	SCREW 1/8-44 L=6.5		*		2
13	MAS06005000	FRONT PRESSER FOOT ARM		*		1
14	MAS06004000	FRONT PRESSER FOOT		*		1
15	SS7090710SP	SCREW 9/64-40 L=6.8		*		2
16	SS8150710SP	SCREW 15/64-28 L=7		*		1
17	MAS060160A0	TAPE GUIDE ASM.		*		1
18	B1560431B00	TAPE GUIDE		*		1
19	SS7090710SP	SCREW 9/64-40 L=6.8		*		1
20	SS3120540SP	SCREW 3/16-28 L=5.4		*		2
21	MAS06006000	FRONT PRESSER FOOT BASE		*		1
22	SS7110910TP	SCREW 11/64-40 L=8.5		*		1
23	SS7111120SP	SCREW 11/64-40 L=10.5		*		2
24	WP0480856SP	WASHER 4.8X8.4X0.8		*		2
25	MAS06008000	FRONT PRESSER FOOT SHAFT		*		1
26	MAS06007000	FRONT PRESSER FOOT SHAFT BUSHI		*		1
27	MAS06009000	FRONT PRESSER FOOT SPRING		*		1
28	CS072081CSM	THRUST COLLAR ASM. D=7.24 W=8		*		1
29	SS7110710SP	SCREW 11/64-40 L=7		*		2
30	MAS060150A0	NEEDLE THREAD RELEASE LATCH ASM.		*		1
31	SS7111110TP	SCREW 11/64-40 L=10.5		*		1
32	MAS06014000	LIFTING LINK		*		1
33	11007101	HINGE SCREW		*		2
34	NS6160520SP	NUT 1/4-24		*		2
35	MAS060120A0	FRONTPRESSERFOOTSHAFTARMASM.		*		1
36	SS8110750SP	SCREW 11/64-40 L=6.5		*		2
37	MAS06013000	LIFTING LEVER		*		1
38	SD0791051SP	HINGE SCREW D=7.94 H=10.5		*		1
39	MAS06011000	LIFTING LEVER BASE		*		1
40	SS7110910SP	SCREW 11/64-40 L=8.5		*		2
41	B8131019000	CHAIN	FOR S061 EXCLUSIVE PARTS	*		1
42	SL9061291SE	WASHER HEXAGONAL BOLT M6 L=12	FOR S061 EXCLUSIVE PARTS	*		2
43	B8133019000	S SHAPED HOOK	FOR S061 EXCLUSIVE PARTS	*		2
44	MAS06103000	PEDAL SHAFT SUPPORT PLATE	FOR S061 EXCLUSIVE PARTS	*		2
45	MAS06108000	PEDAL SHAFT LEFT	FOR S061 EXCLUSIVE PARTS	*		1
46	MAS06110000	PEDAL SHAFT SPRING	FOR S061 EXCLUSIVE PARTS	*		1
47	WP0501016SC	WASHER 5X10.5X1	FOR S061 EXCLUSIVE PARTS	*		4

S060 GATHERING ATTACHMENT / S061 INTERMITTENT GATHERING ATTACHMENT



S060 GATHERING ATTACHMENT / S061 INTERMITTENT GATHERING ATTACHMENT

No.	Parts No.	Parts name	Remarks	Level	Cons	Qty
48	SK3482500SC	WOOD SCREW D=4.8 L=25	FOR S061 EXCLUSIVE PARTS	*		4
49	MAS06109000	PEDAL SHAFT JOINT	FOR S061 EXCLUSIVE PARTS	*		1
50	SS9150860SP	SCREW 15/64-28 L=8	FOR S061 EXCLUSIVE PARTS	*		4
51	B3413227000	SPRING SUSPENSION	FOR S061 EXCLUSIVE PARTS	*		2
52	MAS06101000	SPRING	FOR S061 EXCLUSIVE PARTS	*		1
53	MAS06102000	INTERMITTENT ARM	FOR S061 EXCLUSIVE PARTS	*		1
54	SS7110710SP	SCREW 11/64-40 L=7	FOR S061 EXCLUSIVE PARTS	*		1
55	MAS061040A0	CONNECTING ARM ASM.	FOR S061 EXCLUSIVE PARTS	*		1
56	SD0920321SP	HINGE SCREW D=9.20 H=3.2	FOR S061 EXCLUSIVE PARTS	*		1
57	NS6160520SP	NUT 1/4-24	FOR S061 EXCLUSIVE PARTS	*		1
58	SD0640323TP	HINGE SCREW D=6.35 H=3.2	FOR S061 EXCLUSIVE PARTS	*		2
59	NS6620340SP	NUT 3/16-32	FOR S061 EXCLUSIVE PARTS	*		2
60	MAS06106000	PEDAL SHAFT LINK	FOR S061 EXCLUSIVE PARTS	*		1
61	MAS06107000	PEDAL SHAFT RIGHT	FOR S061 EXCLUSIVE PARTS	*		1
62	RE0900000K0	E-RING 9	FOR S061 EXCLUSIVE PARTS	*		2
63	GPF06080000	PEDAL ADJUSTING PLATE	FOR S061 EXCLUSIVE PARTS	*		1
64	GPF06060000	PEDAL	FOR S061 EXCLUSIVE PARTS	*		1
65	GPF06070000	PEDAL MAT	FOR S061 EXCLUSIVE PARTS	*		1
66	B8153771000	PEDAL CONNECTING ROD	FOR S061 EXCLUSIVE PARTS	*		1
67	D8113555B00	PEDAL BUSHING	FOR S061 EXCLUSIVE PARTS	*		2
68	11159001	PEDAL SHAFT BRACKET	FOR S061 EXCLUSIVE PARTS	*		2
69	SM9082023SE	SCREW M8 L=20	FOR S061 EXCLUSIVE PARTS	*		2
70	WP0871602SE	WASHER 8.7X18X1.6	FOR S061 EXCLUSIVE PARTS	*		4
71	WS0861410KR	SPRING WASHER 8.6X15X1.4	FOR S061 EXCLUSIVE PARTS	*		2
72	NM6080721SE	NUT M8	FOR S061 EXCLUSIVE PARTS	*		2

LIST FOR INFORMATION OF CHANGE

As to the place changed, refer to the corresponding Rev.No.
 When previous parts(Obsoleted part)and new parts(Added parts)are
 not interchangeable with each other:
 In this case,even obsoleted parts(D.)can be ordered with the
 obsoleted part number,so select the parts with changed dates and
 place your orders.

変更箇所は、該当Rev.No.版をご参照ください。
 部品の互換性がない変更の場合は、削除された品番でも、ご注文できます。

BE4840S0PJA

No.0074-09 Rev.No.

*A:Added parts追加部品/D:Obsoleted parts削除部品/E:Erratum訂正

* Rev. No.	Page 頁	Ref. No.	Parts No. 品番	* Rev. No.	Page 頁	Ref. No.	Parts No. 品番
D 08	2	1	B1121-552-0A0	A 09	2	1	401-14236
D 08	2	76	CM-3002000-B1				
D 08	2	77	CM-3002001-01	A 09	2	76	CM-3012000-01
D 08	2	78	CM-3002001-A1				
D 08	2	79	CM-3002001-C1	A 09	2	77	CM-3002000-01
D 08	6	52	B1432-027-000	A 09	6	52	228-14909
D 08	8	8	B1625-555-000	A 09	8	8	401-14880
D 08	8	15	B1612-161-000	A 09	8	15	401-14884
D 08	8	18	B1627-555-0A0	A 09	8	18	401-20458
				A 09	8	65	400-82080
				A 09	8	66	400-82081
D 08	10	21	B1604-155-000	A 09	10	21	401-33993
D 08	10	29	B1604-155-000	A 09	10	29	401-33993
D 08	10	37	SS-6121610-SP	A 09	10	37	SS-6121610-TP
D 08	10	42	SS-2090710-SP	A 09	10	42	SS-2090710-TP
D 08	19	1	B3526-552-0A0	A 09	20	1	B3528-552-000
D 08	19	33	EA-9500B00-00	A 09	20	33	EA-9500B01-00
				A 09	20	34	B3526-226-000
				A 09	20	35	BP-3000000-00
D 08	22	1	269-10653	A 09	22	1	401-11351
D 08	26	3	MAS-061000-A0				
D 08	26	42	MAS-061010-A0				
D 08	26	63	B8151-771-0A0				
D 08	26	64	B8151-771-000	A 09	26	64	GPF-06060000
D 08	26	65	B8152-771-000	A 09	26	65	GPF-06070000
D 08	26	68	D8114-555-B0E	A 09	26	68	111-59001
D 08	26	73	B8125-280-00E	A 09	26	63	GPF-06080000
D 08	26	74	SM-9061203-SE	A 09	26	42	SL-9061291-SE
D 08	26	75	WS-0621210-KR				
D 08	26	76	WP-0671016-SE				

HOW TO MAKE USE OF THIS PARTS LIST

1.Explanation of codes

1)"*"mark.....means this part is changed from the previous parts book.

As to the details of the change, refer to the "List for information of change".

2)"#01".....refer to "Note" explanation at bottom of page.

2.Codes on the "Qty" column

- Each numeral indicates the number of parts required.
- "0.1" and "2.5" indicate the length (in meters) of the respective parts.

3.Parentheses mean that the corresponding part is a subpart that constructs an assembly part.

4.Dotted lines on the Figures indicate assembly parts.

1."注記"欄の記号説明

1) "*"印.....前回のパーツブックに比較して今回変更された部品を意味します。

変更内容は、"変更情報リスト"を参照してください。

2) "#01".....ページ下の"注記"の説明を参照してください。

2.数量欄の数字は、個数を表し、0.1、2.5等の数値は、長さ（単位メートル）を表します。

3.数量欄の（ ）は、組部品を構成している子部品であることを意味します。

4.イラストページの-----枠は、組構成であることを意味します。

NUMERICAL INDEX OF PARTS

PART NO	PAGE	REF NO.	PART NO	PAGE	REF NO.	PART NO	PAGE	REF NO.
10163103	36	24	B1106122000	2	25	B1308481000	8	37
10163152	36	23	B1106380000	4	56	B13084810A0	8	43
10178705	8	11	B1106481000A	4	65	B13084810B0	8	42
11004207	8	47	B11064810A0A	4	64	B1401481000	6	3
11007101	40	33	B1107380000	4	62	B1403155000	6	8
11024106	32	14	B1107481000	4	70	B14033520A0	20	6
11072204	26	2	B1108481000	4	66	B1408481000	6	35
11159001	42	68	B1109481000	4	68	B14114810A0	6	10
22814909	10	52	B1110481000A	2	44	B1414232000	20	21
22901409	6	23	B1111380000	4	48	B1414555000	6	12
22901805	4	78	B1111481000	2	45	B1418552A00	6	7
22904155	16	32	B1112380000	4	50	B1419155000	6	6
22906101	6	21	B1112481000A	2	46	B1509555000	8	15
22907000	8	7	B1115380000	4	60	B1511555000	8	16
22907109	8	8	B1118481000	2	16	B1515552000	8	17
22907406	8	14	B111848100A	2	43	B1516552000	8	20
22907505	8	9	B1119481000	2	17	B1517552000	8	21
22907604	8	10	B112155200A	2	42	B15185550A0	8	25
22907703	8	13	B1122552000	2	2	B1520552000	8	27
22907802	10	61	B11304810A0	2	5	B1521555000	8	28
22908909	10	64	B1131481000	2	6	B1522552000	26	19
22912000	2	27	B1132481000	2	7	B1523226000	8	23
22912109	2	28	B1134481000	2	22	B1524481CC0	8	1
22925101	30	2	B1135481000	2	23	B1524484DA0	38	3
22932453	32	11	B1161481000A	36	2	B1524484DB0	38	5
22934202	32	26	B11614810B0	36	1	B1528481000	10	63
22934251	32	20	B1162481000	36	5	B1532481C00	8	2
22934301	32	21	B1166481000	36	4	B1533481C00	8	4
22934400	32	25	B1167481000	36	6	B1536481C00	8	3
22934509	32	23	B1168481000	36	7	B1560431B00	40	18
22934608	32	24	B1201481000A	6	25	B1601484000	16	1
40082080	14	65	B1202481000	6	38	B1602484000	16	14
40082081	14	66	B1203481B00	6	40	B16034840A0	16	5
40111351	34	1	B12064810A0	6	29	B1604484000	16	2
40114236	2	1	B12064810B0	6	30	B1606484000	12	46
40114880	12	8	B12135520A0A	6	26	B1607352000	10	50
40114884	12	15	B1214038000	30	6	B1607484000A	12	45
40120458	12	18	B1217490000	6	9	B16084840A0	12	43
40133993	16	29	B121749000A	6	22	B1610430000	16	24
A1132001000	40	7	B1226552000	6	28	B16104300A0	16	7
B1103484B00	38	1	B1301481000A	8	45	B16104300A0	22	40
B1103484F00	4	52	B1302552B00	8	46	B16104840A0	12	12
B1104380A00	4	59	B13050120A0	8	40	B1613484F00	16	20
B1104380AA0	4	58	B13061550A0	8	44	B1614484000A	12	39
B1105380000	4	54	B13061550B0	8	39	B1615484000	12	38

NUMERICAL INDEX OF PARTS

PART NO	PAGE	REF NO.	PART NO	PAGE	REF NO.	PART NO	PAGE	REF NO.
B1617484000	12	32	B1673484000	14	61	B2032481000	22	8
B1618484000	12	36	B1701481000	16	28	B210348100B	20	4
B1619555000	12	31	B17014840A0	16	40	B2105481000	20	5
B1620481000	12	5	B1702155000	16	34	B21064810A0	20	9
B1621555000A	12	17	B17031550A0	16	36	B2108481000	20	18
B1622555000	12	6	B1708481000	16	43	B2109481000A	20	14
B1623555000A	12	1	B171248100B	16	44	B2110481000A	20	13
B1623555A00	12	22	B17134810A0	16	22	B2111481000A	20	16
B1624555000	14	56	B1715481000	16	12	B21124810A0	20	19
B162455500A	12	47	B1715481000	20	25	B21154810A0	20	29
B1626555000	12	9	B1801481000A	10	49	B21174810A0	20	12
B1628555000	12	24	B1802481000	10	57	B21194810A0	20	33
B16294840A0A	14	52	B1803481000	10	55	B21204810A0	20	31
B1630484000	14	50	B1803481000	22	26	B2122481000	20	36
B1631484000	12	34	B1813481000	10	59	B2123481000	20	37
B1632470000	12	26	B1827232000	20	22	B2124481000	20	27
B1633484000	12	40	B19013800A0	6	15	B21254810A0	20	39
B1634555000B	12	3	B1901481000A	6	16	B21264810A0	20	42
B1636581B00	12	16	B19024810A0B	6	13	B2201481000A	26	46
B1646484000	12	25	B1903481000	2	31	B2202481000	28	48
B1647704000A	18	1	B1903552000	6	37	B2203481000	28	50
B1649161000	12	28	B1904481000	2	29	B22104810A0	28	49
B16514840A0	18	36	B190448100A	4	73	B2211481000	28	62
B1652484000	16	10	B1905380000	2	34	B2212481000	28	61
B1653484C00	38	2	B1905541B00	6	36	B2213481000	28	60
B1653484F00	16	18	B1908481000A	6	17	B2214481000	28	58
B1654484000	18	30	B1909481000A	6	19	B2215481000	28	63
B1656484000	16	4	B1912481000	2	36	B2216481000	28	57
B1657484000	18	32	B1913481000	2	37	B2217481000	28	55
B16584840A0	18	28	B1914481000	2	39	B2218481000	28	52
B1659484000	18	34	B1916481000	2	40	B2220481010	28	66
B1660484000	14	59	B2001481000A	22	23	B2225481000	28	67
B1661481000	14	60	B2002481000	22	24	B2226481000	10	60
B1661484000	18	33	B20044810A0	22	30	B23014810A0	22	34
B1662484000	18	27	B20054810AB	22	32	B2302481000	22	36
B16634840A0	18	20	B20064810A0	22	20	B23034810A0	22	42
B1664484000	18	18	B2007481000	22	22	B23044810A0	22	44
B16654840A0	18	14	B2008481000	22	14	B23054810A0	24	49
B1666484000	18	8	B20104810A0	22	11	B2306019000	26	37
B1667484000	18	7	B2012481000	22	9	B2306481000	22	46
B1668484000	18	13	B2013481000A	22	1	B2307481000	22	47
B1669484000	18	9	B20144810A0	22	15	B23084810A0	24	58
B1670484000	18	2	B20154810A0	22	4	B23094810A0	24	52
B16714840A0	18	23	B2025481000	22	6	B2310481000	24	55
B1672484000	18	17	B2030481000	22	3	B2311481000A	24	51

NUMERICAL INDEX OF PARTS

PART NO	PAGE	REF NO.	PART NO	PAGE	REF NO.	PART NO	PAGE	REF NO.
B2312481000	22	19	B3521481000A	30	32	D1231555B00	6	46
B2657771000	30	11	B3526226000	30	34	D1232555B00	6	47
B3101481000	26	39	B3527415000	30	14	D1910481C00	6	18
B3102481000	26	38	B3528552000	30	1	D2101481CA0	20	1
B31024810A0	26	34	B3530555000	30	8	D3110481C00	26	22
B3103481000	26	9	B3534012000	2	15	D3111481CA0	2	13
B31034810A0	26	1	B3534155000	30	5	D3130481CA0	26	20
B3104481000	26	36	B3545122000	30	10	D3133481C00	26	24
B3106380000	26	8	B3552481000	30	12	D3134481C00	26	23
B3106481000	26	3	B3553481000	30	16	D3136481CA0	26	16
B3107704000	26	40	B3554481000	30	15	D3536555B00	30	3
B3115481000	26	26	B41033520A0	16	26	D8113555B00	42	67
B3116481000	26	27	B8131019000	40	41	D8227555E00	32	6
B3117481000	26	28	B8133019000	40	43	D8230555E00	36	12
B3119771000	26	42	B8153771000	42	66	D8231555E00	36	14
B3120125000	26	43	B8217481000	32	3	D8231555E0B	36	21
B3120481000	26	32	B8217481AC0	32	2	D8232555B00	36	16
B3121481000	26	12	B8217481AD0	32	1	D8232555E00	36	17
B3122481000	26	44	B8228125000	32	19	D8232555E0A	36	20
B3126012000	26	35	B82303800A0	36	18	EA9500B0100	30	33
B3126352000	26	5	B8231380000	36	22	GPF06060000	42	64
B3129012A00	26	41	B8235481000	32	4	GPF06070000	42	65
B3135481000	26	15	B8237481000	32	5	GPF06080000	42	63
B31354810B0	26	14	B91351230B0	38	7	MAS060000A0	40	3
B3148123000	2	38	BP300000000	30	35	MAS060010A0	40	1
B3412415000	8	29	BT0500300E0	22	18	MAS060010B0	40	5
B3413227000	42	51	CM300200001	4	77	MAS06002000	40	8
B3414415000A	8	32	CM301200001	4	76	MAS06003000	40	9
B3415481000	8	35	CM500300001	36	19	MAS06004000	40	14
B3416415000A	8	33	CQ202000000	16	8	MAS06005000	40	13
B3416552000	8	30	CQ202000000	20	34	MAS06006000	40	21
B3420555000	32	10	CQ252000000	16	25	MAS06007000	40	26
B3421555000	32	18	CQ252000000	22	50	MAS06008000	40	25
B3425555000A	32	15	CQ252000000	24	50	MAS06009000	40	27
B3426552000	32	13	CQ303000000	16	31	MAS06011000	40	39
B3431581000	8	22	CQ303000000	18	37	MAS060120A0	40	35
B3501555000	30	22	CQ303000000	22	41	MAS06013000	40	37
B35015550A0	30	18	CS072081CSM	40	28	MAS06014000	40	32
B3502555000A	30	28	CS111121ASH	10	53	MAS060150A0	40	30
B3503555000	30	19	CS111121ASH	22	28	MAS060160A0	40	17
B3505555000	30	20	CS147121ESH	6	41	MAS06017000	40	10
B3506555000	30	21	D1204555D00	6	44	MAS06018000	40	6
B3507555000	30	23	D1204555DA0	6	43	MAS06101000	42	52
B3508555000	30	24	D1208555D00	6	39	MAS06102000	42	53
B3513484000	30	13	D1230555B00	6	45	MAS06103000	40	44

NUMERICAL INDEX OF PARTS

PART NO	PAGE	REF NO.	PART NO	PAGE	REF NO.	PART NO	PAGE	REF NO.
MAS061040A0	42	55	SD0640322TP	18	26	SS6060220SP	4	51
MAS06106000	42	60	SD0640323TP	42	58	SS6060340SP	4	71
MAS06107000	42	61	SD0790641SP	14	51	SS6080320SP	2	47
MAS06108000	40	45	SD0791051SP	40	38	SS6080320SP	18	6
MAS06109000	42	49	SD0920321SP	42	56	SS6080320SP	28	56
MAS06110000	40	46	SD1020701SP	16	39	SS6080410SP	28	53
MC380000750	6	2	SE4301031SR	30	29	SS6080710SP	40	12
MTV700B1100	6	1	SK3482500SC	36	26	SS6090630SP	2	14
NM60300000E	30	27	SK3482500SC	42	48	SS6090670TP	6	20
NM6060001SE	32	9	SL9061291SE	40	42	SS6091210TP	6	14
NM6080721SE	42	72	SM4031001SC	30	25	SS6092120SP	22	16
NS6110310SP	8	5	SM6062002TP	20	15	SS6110420TP	26	33
NS6110310SP	26	59	SM6062002TP	22	2	SS6110710TP	26	21
NS6110310SP	28	59	SM8063012TR	32	17	SS6120930SP	12	2
NS6110420SP	12	29	SM9061203SE	32	22	SS6121210SP	12	53
NS6110420SP	18	16	SM9061853SR	32	16	SS6121210SP	14	53
NS6120310SP	20	35	SM9082023SE	42	69	SS6121220TP	20	40
NS6150310SP	14	49	SQ1110401MZ	30	7	SS6121220TP	22	59
NS6150430SP	14	62	SS1080510SP	16	11	SS6121220TP	24	59
NS6160520SP	40	57	SS1080510SP	20	26	SS6121610TP	16	37
NS6160520SP	42	57	SS1110710SP	26	47	SS6121850TP	12	44
NS6620310SP	8	36	SS2080810SP	20	3	SS6121850TP	16	6
NS6620310SP	18	25	SS2090710TP	16	42	SS6122510SP	30	31
NS6620340SP	42	59	SS2110920TP	4	53	SS6123010SP	30	30
NS6680410SP	16	38	SS2110930SP	12	13	SS6150610SP	14	48
PS0200102KH	26	7	SS3120540SP	40	20	SS6621220SP	16	27
RE0500000K0	8	31	SS4080415SP	4	57	SS6660610TP	22	33
RE0600000K0	8	24	SS4080620TP	18	35	SS6661110SP	12	14
RE0600000K0	26	31	SS4110515SP	2	55	SS7080510TP	6	5
RE0900000K0	42	62	SS4110515SP	4	55	SS7081310SP	28	64
RO029180100	6	27	SS4110515SP	26	65	SS7090520TP	18	12
RO037180100	8	26	SS4110515SP	28	65	SS7090520TP	20	41
RO037180100	26	18	SS4110515SP	36	13	SS7090520TP	22	56
RO044240100	6	34	SS4110715SP	26	25	SS7090520TP	24	56
RO061180100	18	19	SS4110715SP	30	17	SS7090710SP	40	19
RO068190100	32	8	SS4110815SP	2	18	SS7090910TP	22	54
RO069180100	14	55	SS4110815SP	36	15	SS7090910TP	24	54
RO069180100	18	22	SS4111015SP	2	3	SS7091110TP	8	6
RO074240100	12	4	SS4111415SP	26	30	SS7110510SP	2	24
RO195240100	30	9	SS4112515SP	26	29	SS7110710SP	12	10
SD0450701TP	20	10	SS4150915SP	36	10	SS7110710SP	18	10
SD0600322SD	8	34	SS5060310SP	38	6	SS7110710SP	40	54
SD0630275SP	8	18	SS5060310SP	40	2	SS7110710SP	42	54
SD0630301SP	8	19	SS5110810SP	18	3	SS7110910SP	12	30
SD0640231SP	36	8	SS6060210SP	4	69	SS7110910SP	40	40

NUMERICAL INDEX OF PARTS

PART NO	PAGE	REF NO.	PART NO	PAGE	REF NO.
SS7110910TP	40	22	SS8660810TP	16	41
SS7111110TP	16	16	SS8660810TP	22	31
SS7111110TP	20	20	SS8661040TP	14	57
SS7111110TP	22	43	SS8681650TP	6	33
SS7111110TP	40	31	SS9150860SP	42	50
SS7111120SP	12	27	SS9151120CP	2	26
SS7111120SP	18	24	SS9151630CP	12	41
SS7111120SP	40	23	TA0800704R0	2	11
SS7111310TP	22	45	TA1050504R0	2	12
SS7111410TP	16	19	TA1050504R0	22	17
SS7111410TP	18	29	TA1050504R0	36	3
SS7111810SP	12	35	TA1250406R0	2	4
SS7151120SP	6	4	TA1250705R0	2	10
SS7620750SP	12	23	TA1750502R0	4	72
SS7681650TP	6	32	TA2050406R0	4	74
SS7701010SP	32	7	TA2101002R0	2	19
SS8090540SP	14	64	TA2351004R0	2	21
SS8110410TP	16	23	TA2351305R0	2	20
SS8110410TP	20	8	WP03305000E	40	11
SS8110410TP	22	37	WP0371026SD	24	57
SS8110510SP	12	11	WP0371026SD	28	54
SS8110750SP	12	33	WP0480856SP	2	33
SS8110750SP	40	36	WP0480856SP	16	17
SS8150310SP	4	49	WP0480856SP	18	11
SS8150710SP	12	54	WP0480856SP	40	24
SS8150710SP	14	54	WP0501016SC	36	25
SS8150710SP	16	35	WP0501016SC	40	47
SS8150710SP	18	31	WP0501016SD	20	24
SS8150710SP	20	38	WP0621016SD	12	63
SS8150710SP	22	48	WP0621016SD	14	63
SS8150710SP	24	48	WP0621016SD	18	5
SS8150710SP	40	16	WP0621016SD	36	11
SS8150710TP	6	31	WP0740516SP	10	62
SS8150710TP	20	2	WP0871602SE	42	70
SS8150710TP	22	35	WS0861410KR	42	71
SS8151150SP	10	58	WT0320002KZ	30	26
SS8151150SP	16	30	WZ0641510KP	36	9
SS8151550SP	6	24			
SS8620610SP	16	9			
SS8660610TP	8	12			
SS8660610TP	16	33			
SS8660810TP	6	42			
SS8660810TP	8	54			
SS8660810TP	10	54			
SS8660810TP	14	58			