

MODEL : MH-380/MH-382

List No : 0046-14

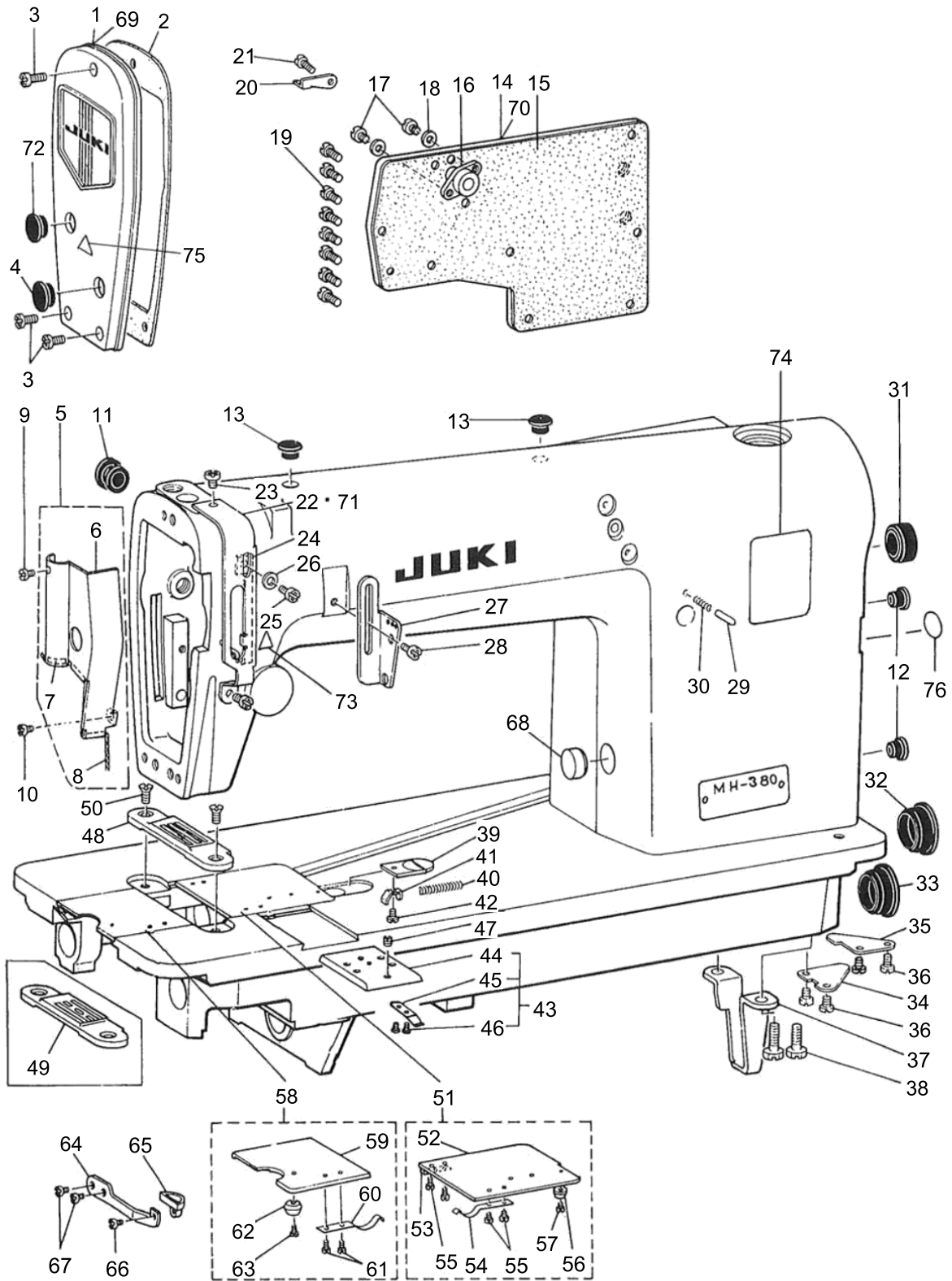
PARTS LIST

Published:09/13/2017

CONTENTS

MACHINE FRAME & MISCELLANEOUS COVER COMPONENTS	1
MAIN SHAFT & NEEDLE BAR COMPONENTS	5
PRESSER BAR, UPRIGHT SHAFT & LOWER SHAFT COMPONENTS	7
FEED MECHANISM COMPONENTS (1).....	11
FEED MECHANISM COMPONENTS (2).....	15
LOOPER & NEEDLE GUARD COMPONENTS	17
THREAD TENSION CONTROLLER COMPONENTS	21
OIL LUBRICATION MECHANISM COMPONENTS	25
OIL RESERVOIR & KNEE LIFTER COMPONENTS.....	27
THREAD STAND COMPONENTS.....	29
SILICON OIL LUBRICANT & BELT COVER COMPONENTS	31
TABLE OF EXCHANGING GAUGE SETS (1) FOR MH-380 & 382	33
TABLE OF EXCHANGING GAUGE SETS (2) FOR MH-380 & 382	35
LIST FOR INFORMATION OF CHANGE.....	37
HOW TO MAKE USE OF THIS PARTS LIST	38

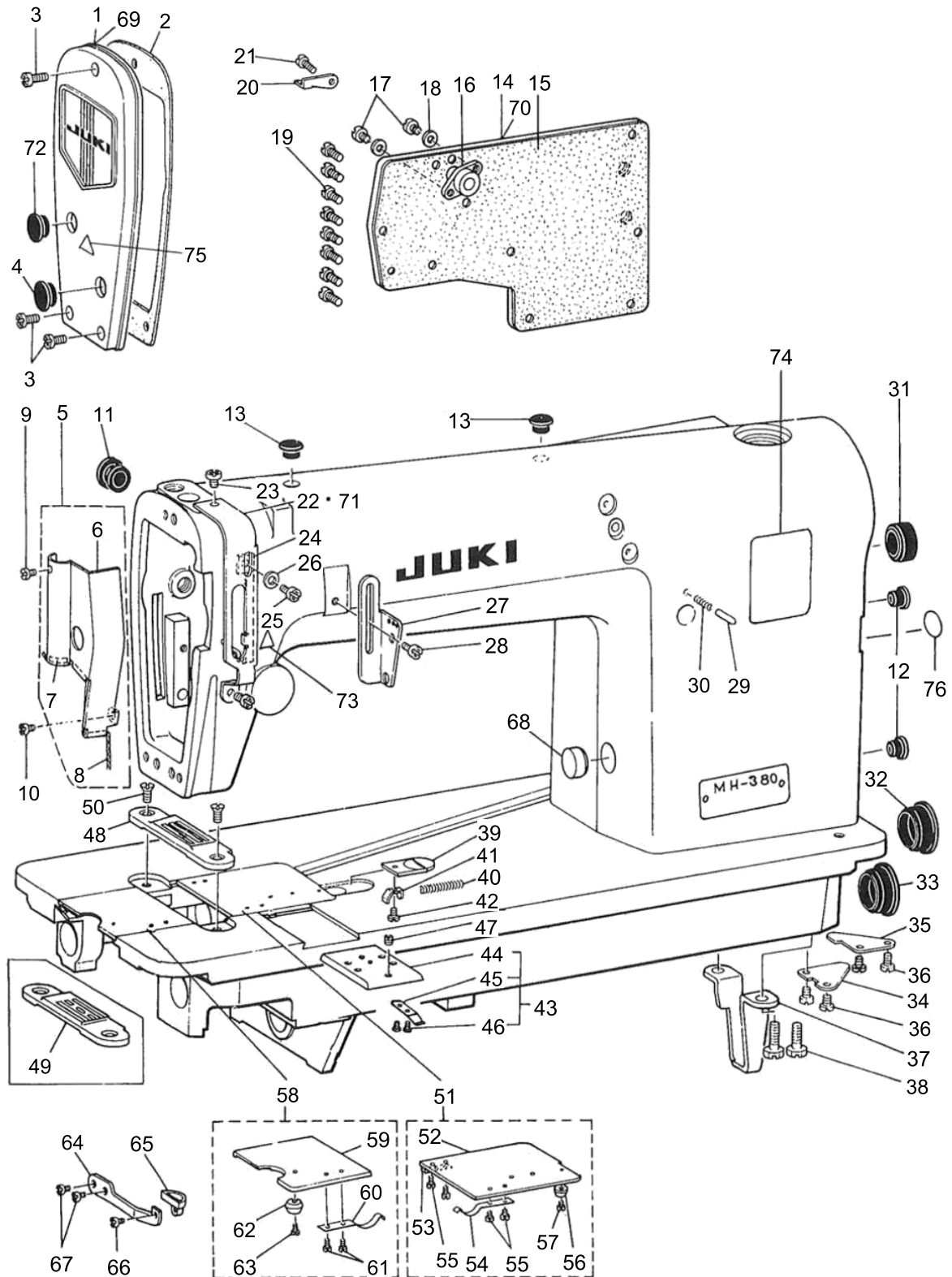
MACHINE FRAME & MISCELLANEOUS COVER COMPONENTS



MACHINE FRAME & MISCELLANEOUS COVER COMPONENTS

No.	Parts No.	Parts name	Remarks	Level	Cons	Qty
1	40114236	FACE PLATE ASM.				1
2	B1122552000	FACE PLATE GASKET				1
3	SS4111015SP	SCREW 11/64-40 L=10				3
4	TA1250406R0	RUBBER PLUG D=12.5 L=4				1
5	B11304810A0	ARM OIL SHIELD ASM.				1
6	B1130481000A	ARM OIL SHIELD		*		1
7	B1131481000	NON-WOVEN FABRIC		*		1
8	B1132481000	OIL WICK		*		1
9	SS6080320SP	SCREW 1/8-44 L= 2.5				1
10	SS4110515SP	SCREW 11/64-40 L=5				1
11	TA1250705R0	RUBBER PLUG				1
12	TA0750704R0	RUBBER PLUG				2
13	TA1050504R0	RUBBER PLUG				2
14	B1118481000	SIDE PLATE				1
15	B1119481000	GASKET				1
16	D3111481CA0	TENSIONRELEASESHAFTCOLLARASM.				1
17	SS6090630SP	SCREW 9/64-40 L=6				2
18	B3534012000	GASKET				2
19	SS4110815SP	SCREW 11/64-40 L=8				8
20	B3122481000	FRAME THREAD GUIDE				1
21	SS4110515SP	SCREW 11/64-40 L=5				1
22	B1904481000	THREAD TAKE-UP LEVER GUARD				1
23	SS4110515SP	SCREW 11/64-40 L=5				2
24	B1903481000	TAKE-UP THREAD TENSION LEVER				1
25	SS4110515SP	SCREW 11/64-40 L=5				1
26	WP0480856SP	WASHER 4.8X8.4X0.8				1
27	B1905380000	FRAME THREAD EYELET				1
28	SS4110515SP	SCREW 11/64-40 L=5				1
29	22912000	FEED REGULATOR PIN				1
30	22912109	FEED REGULATOR PIN SPRING				1
31	TA2101002R0	RUBBER PLUG				1
32	TA2351305R0	RUBBER PLUG				2
33	TA2351004R0	RUBBER PLUG				1
34	B1134481000	BED OIL SHIELD				1
35	B1135481000	BED OIL SHIELD (B)				1
36	SS7110510SP	SCREW 11/64-40 L=5				4
37	B1106122000	BED SUPPORT PLATE				1
38	SS9151120CP	SCREW 15/64-28 L=11				2
39	B1110481000A	CAM COVER LATCH				1
40	B1111481000	SPRING				1
41	B1112481000A	SPRING SUSPENSION				1
42	SS6080320SP	SCREW 1/8-44 L= 2.5				1
43	B11113800A0	ATTACHMENT INSTALLING PLATE ASM.				1
44	B1111380000	ATTACHMENT INSTALLING PLATE		*		1
45	B1112380000	SPRING		*		1
46	SS6060220SP	SCREW 3/32-56 L= 2.0		*		2
47	SS8150310SP	SCREW 15/64-28 L= 3.4				1

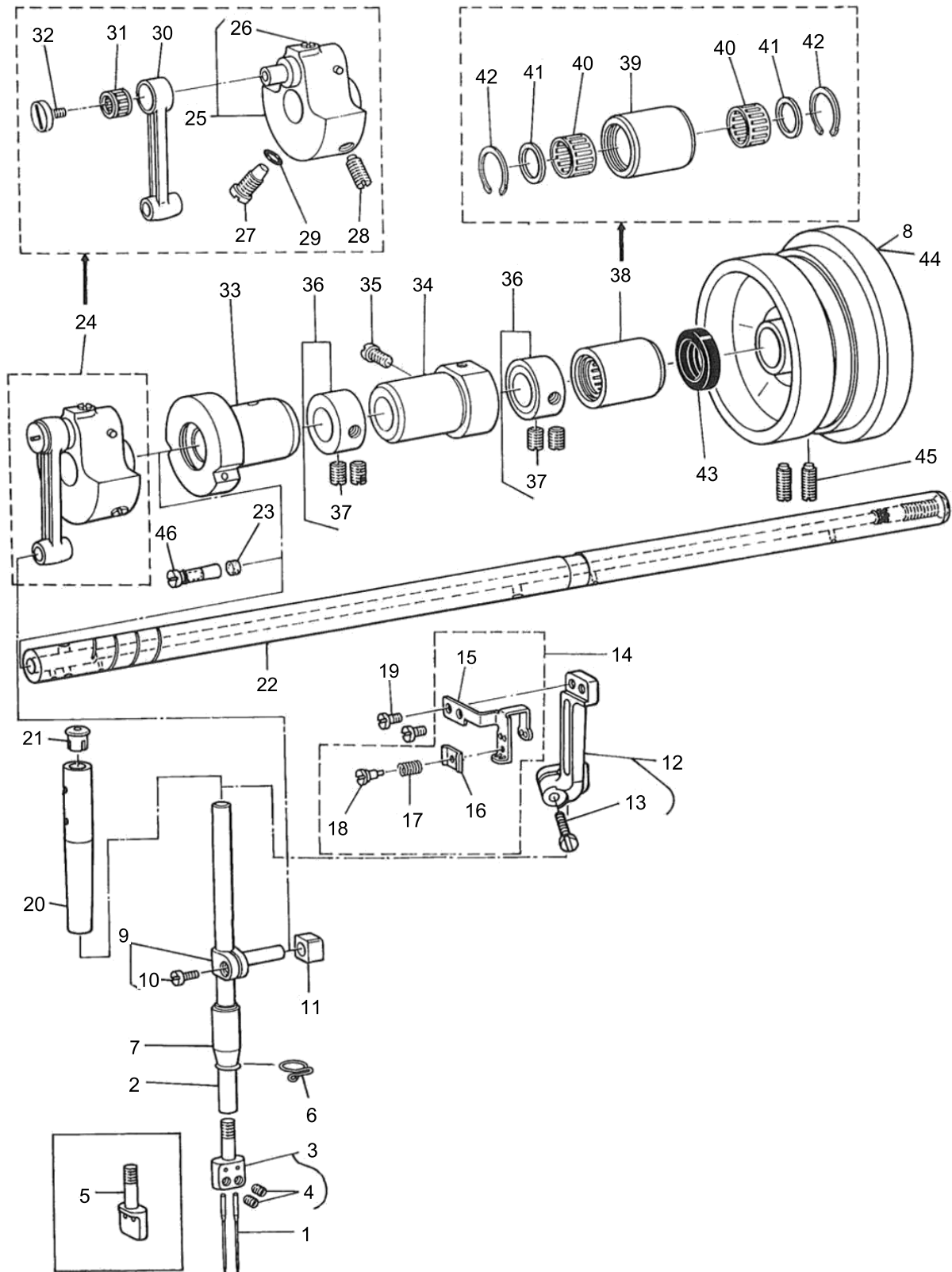
MACHINE FRAME & MISCELLANEOUS COVER COMPONENTS



MACHINE FRAME & MISCELLANEOUS COVER COMPONENTS

No.	Parts No.	Parts name	Remarks	Level	Cons	Qty
48	B1103380F00	THROAT PLATE 1/4	FOR MH-380			1
49	B1103382000	THROAT PLATE	FOR MH-382			1
50	SS2110920TP	SCREW 11/64-40 L=8.5				2
51	B1108380BA0	CAM COVER ASM.				1
52	B1108380B00	CAM COVER		*		1
53	B1108481000	CAM COVER SUPPORT		*		1
54	B1109481000	SPRING		*		1
55	SS6060210SP	SCREW 3/32-56 L= 1.9		*		4
56	B1107481000	CAM COVER GUIDE		*		1
57	SS6060340SP	SCREW 3/32-56 L= 2.5		*		1
58	B1104380AA0	BED SLIDE ASM.				1
59	B1104380A00	BED SLIDE		*		1
60	B1115380000	SPRING		*		1
61	SS6060210SP	SCREW 3/32-56 L= 1.9		*		2
62	B1107380000	BED SLIDE GUIDE		*		1
63	SS6060340SP	SCREW 3/32-56 L= 2.5		*		1
64	B1105380000	BED SLIDE STOPPER				1
65	B1106380000	LATCH				1
66	SS4080415SP	SCREW 1/8-44 L=4				1
67	SS4110515SP	SCREW 11/64-40 L=5				2
68	TA1750502R0	RUBBER PLUG D=17.5 L=5				1
69	B112155200A	FACE PLATE	FOR URBAN WHITE			1
70	B111848100A	SIDE PLATE	FOR URBAN WHITE			1
71	B190448100A	THREAD TAKE-UP LEVER COVER	FOR URBAN WHITE			1
72	TA2050406R0	RUBBER PLUG				1
73	CM300200001	ATTENTION SEAL	FOR USE IN JAPAN,JE			1
74	CM301200001	SAFETY LABEL_S				1
75	CM300200001	ATTENTION SEAL	FOR USE IN JAPAN			1
76	22901805	GROUND MARK				1

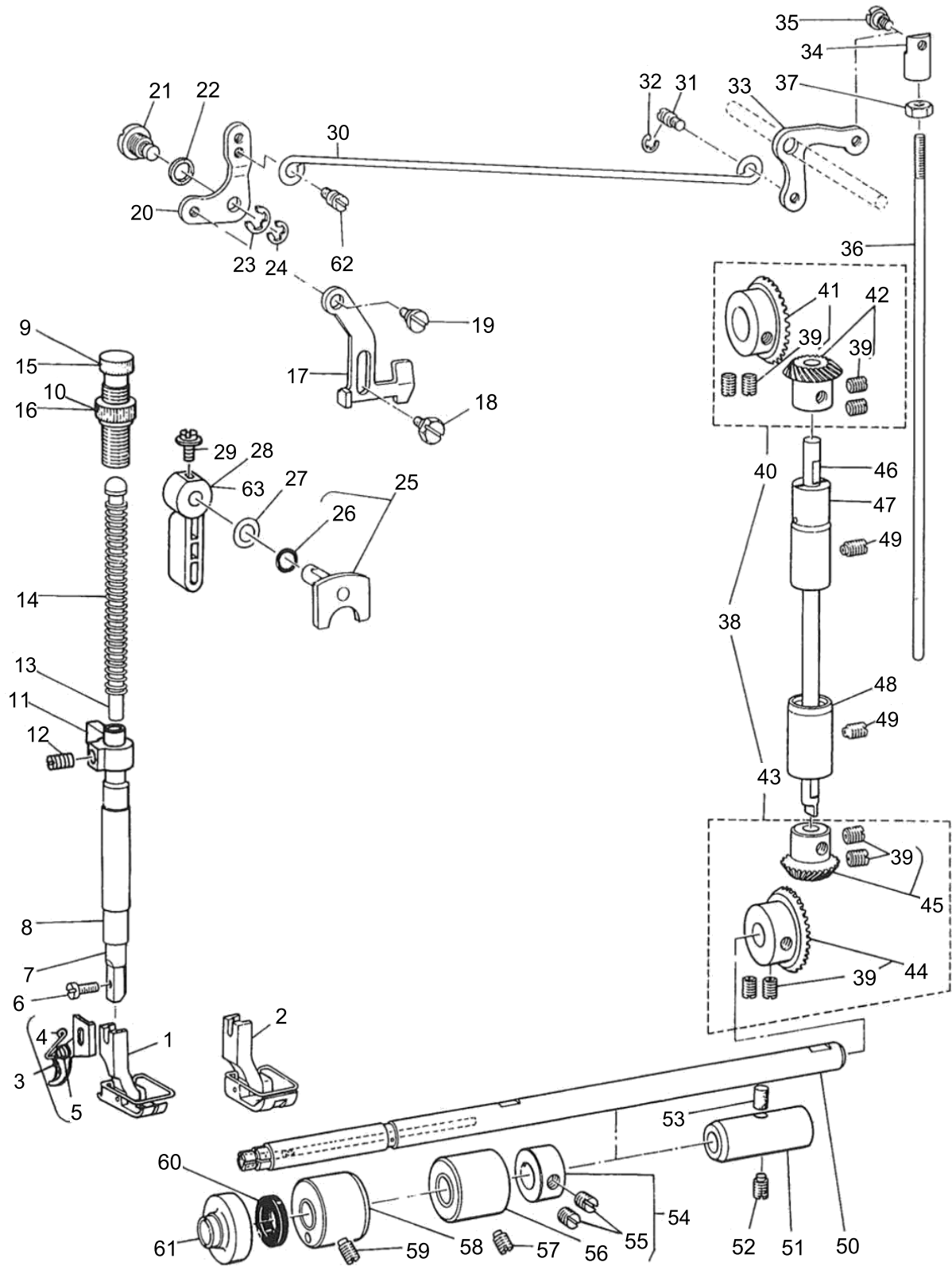
MAIN SHAFT & NEEDLE BAR COMPONENTS



MAIN SHAFT & NEEDLE BAR COMPONENTS

No.	Parts No.	Parts name	Remarks	Level	Cons	Qty
1	MTV700B1400	NEEDLE TVX7 #14				2
2	B1401380000	NEEDLE BAR				1
3	B1406019FA0	NEEDLE CLAMP ASM. 1/4	FOR MH-380			1
4	SS8110310SP	SCREW 11/64-40 L= 2.8	FOR MH-380	*		2
5	D1406038BA0	NEEDLE CLAMP ASM.	FOR MH-382			1
6	B1419380000	NEEDLE BAR THREAD GUIDE				1
7	B1403380000	NEEDLE BAR BUSHING LOWER				1
8	B121749000A	HAND WHEEL	FOR URBAN WHITE			1
9	B14114810A0	NEEDLE BAR CONNECTION ASM.				1
10	SS6090670TP	SCREW 9/64-40 L=6		*		1
11	B1414555000	SLIDE BLOCK				1
12	B19024810A0B	THREAD TAKE-UP LEVER ASM.				1
13	SS6091210TP	SCREW 9/64-40 L=12		*		1
14	B19013800A0	THREAD TAKE-UP ASM.				1
15	B1901481000A	THREAD TAKE-UP		*		1
16	B1908481000A	THREAD TENSION REGULATING PLAT		*		1
17	D1910481C00	TENSION SPRING		*		1
18	B1909481000A	THREAD TENSION REGULATING STUD		*		1
19	SS6090670TP	SCREW 9/64-40 L=6				2
20	22906101	NEEDLE BAR BUSHING UPPER				1
21	22901409	NEEDLE BAR UPPER BUSH CAP				1
22	B1201481000A	MAIN SHAFT				1
23	B1226552000	ROLLER FELT				1
24	B12064810A0	COUNTERWEIGHT ASM.				1
25	B12064810B0	COUNTERWEIGHT ASM.		*		1
26	SS8150710TP	SCREW 15/64-28 L=7		*		1
27	SS7681650TP	SCREW 9/32-28 L=16		*		1
28	SS8681650TP	SCREW 9/32-28 L=16		*		1
29	RO044240100	RUBBER RING		*		1
30	B1408481000	NEEDLE BAR CRANK ROD		*		1
31	B1905541B00	NEEDLE BEARING		*		1
32	B1903552000	LEFT SCREW		*		1
33	B1202481000	BUSHING FRONT				1
34	B1203481B00	BUSHING INTERMEDIATE				1
35	SS7151120SP	SCREW 15/64-28 L=11				1
36	CS147121ESH	THRUST COLLAR ASM. D=14.72 W=12				2
37	SS8660810TP	SCREW 1/4-40 L=8		*		4
38	D1204555DA0	MAIN SHAFT BUSHING REAR ASM.				1
39	D1204555D00	MAIN SHAFT BUSHING REAR		*		1
40	D1230555B00	NEEDLE BEARING		*		2
41	D1231555B00	WASHER		*		2
42	D1232555B00	SNAP RING		*		2
43	D1208555D00	OIL SEAL				1
44	B1217490000	HAND WHEEL				1
45	SS8151550SP	SCREW 15/64-28 L=15				2
46	B12135520A0A	OIL AMOUNT ADJUSTING PIN ASM.				1

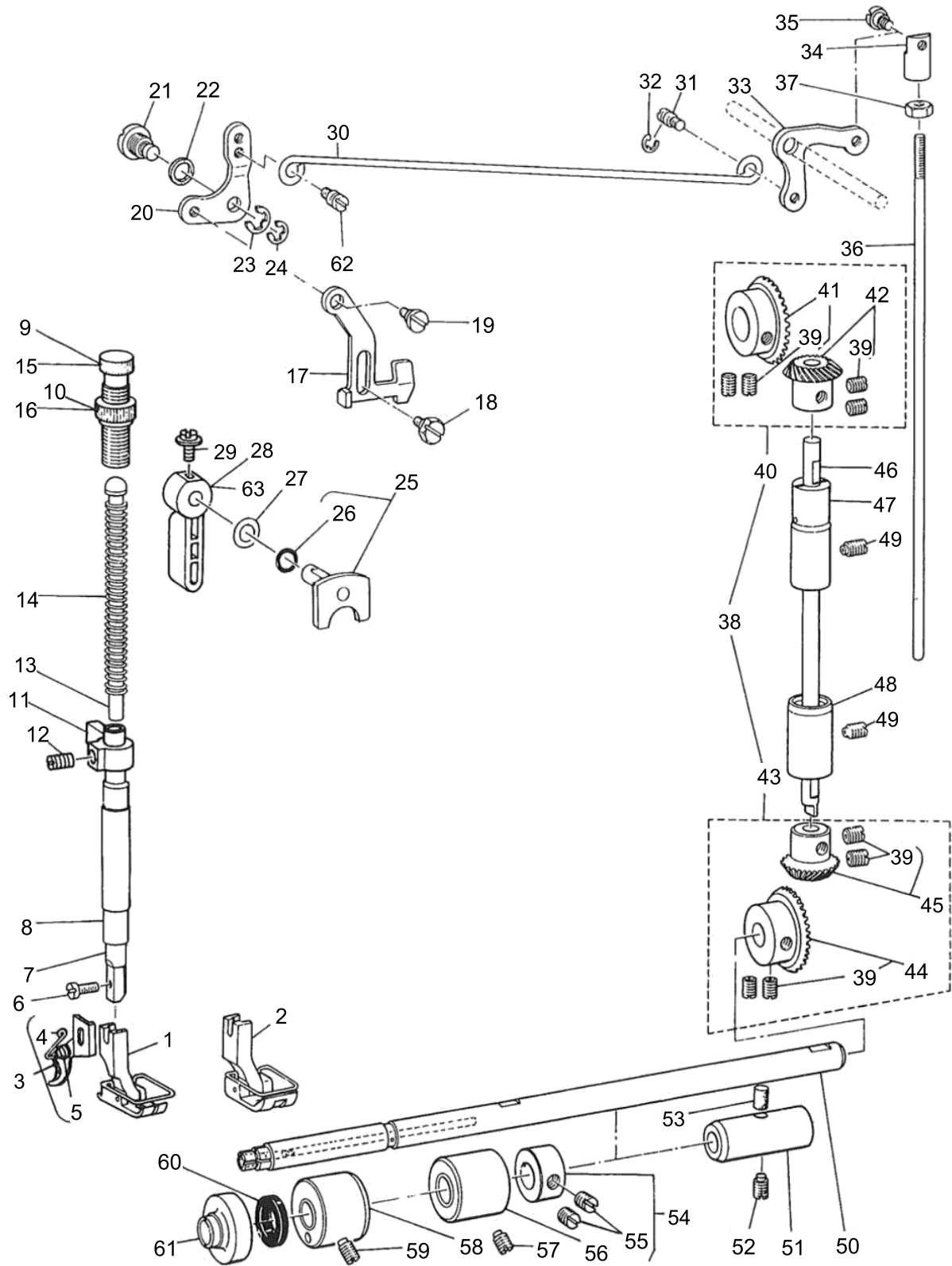
PRESSER BAR, UPRIGHT SHAFT & LOWER SHAFT COMPONENTS



PRESSER BAR, UPRIGHT SHAFT & LOWER SHAFT COMPONENTS

No.	Parts No.	Parts name	Remarks	Level	Cons	Qty
1	B1509038FB0	PRESSER FOOT ASM. 1/4	FOR MH-380			1
2	B15243820B0	PRESSER FOOT	FOR MH-382			1
3	B15283800A0	THREAD KNIFE ASM.				1
4	B1529380000	THREAD KNIFE GUIDE		*		1
5	SS5060310SP	SCREW 3/32-56 L=2.8		*		1
6	SS7091110TP	SCREW 9/64-40 L=10.5				1
7	B1501380000	PRESSER BAR				1
8	22907109	PRESSER BAR BUSHING LOWER				1
9	22907505	PRESSER SPRING REGULATOR	FOR URBAN WHITE			1
10	22907604	PRESSER SPRING REGULATOR NUT	FOR URBAN WHITE			1
11	10178705	PRESSER BAR GUIDE BRACKET				1
12	SS8660610TP	SCREW 1/4-40 L=6				1
13	22907703	PRESSER GUIDE BAR				1
14	22907406	PRESSER SPRING				1
15	B1509555000	PRESSER SPRING REGULATOR				1
16	B1511555000	NUT				1
17	B1515552000	LIFTING LEVER				1
18	SD0630275SP	HINGE SCREW D= 6.35 H= 2.7				1
19	SD0630301SP	HINGE SCREW D=6.35 H=3				1
20	B1516552000	LIFTING LEVER LINK				1
21	B1517552000	HINGE PIN				1
22	B3431581000	LIFTING LEVER GASKET				1
23	B1523226000	SNAP RING				1
24	RE0600000K0	E-RING 6				1
25	B15185550A0	HAND LIFTER CAM ASM.				1
26	RO037180100	RUBBER RING		*		1
27	WP0740516SP	WASHER 7.4X11.8X0.5				1
28	B1520552000A	HAND LIFTER				1
29	B1521555000	SCREW				1
30	B3412415000	LIFTING LEVER CONNECTING ROD				1
31	B3416552000	CONNECTING ROD HINGE SCREW				1
32	RE0500000K0	E-RING				1
33	B3414415000A	LIFTING LEVER LINK RIGHT				1
34	B3416415000A	SWIVEL				1
35	SD0600322SD	HINGE SCREW D=6 H=3.2				1
36	B3415481000	CONNECTING ROD VERTICAL				1
37	NS6620310SP	NUT 3/16-32				1
38	B13084810C0	GEAR LOWER ASM.				1
39	SS8660810TP	SCREW 1/4-40 L=8		*		8
40	B13061550B0	GEAR & PINION ASM. UPPER		*		1
41	B13050120A0	GEAR ASM.		*		1
42	B13061550A0	PINION ASM.		*		1
43	B13084810B0	GEAR & PINION ASM.		*		1
44	B13084810A0	GEAR LOWER (LARGE) ASM.		*		1
45	B13061550A0	PINION ASM.		*		1
46	B1301481000A	UPPIGHT SHAFT				1
47	B1302552B00	BUSHING UPPER				1

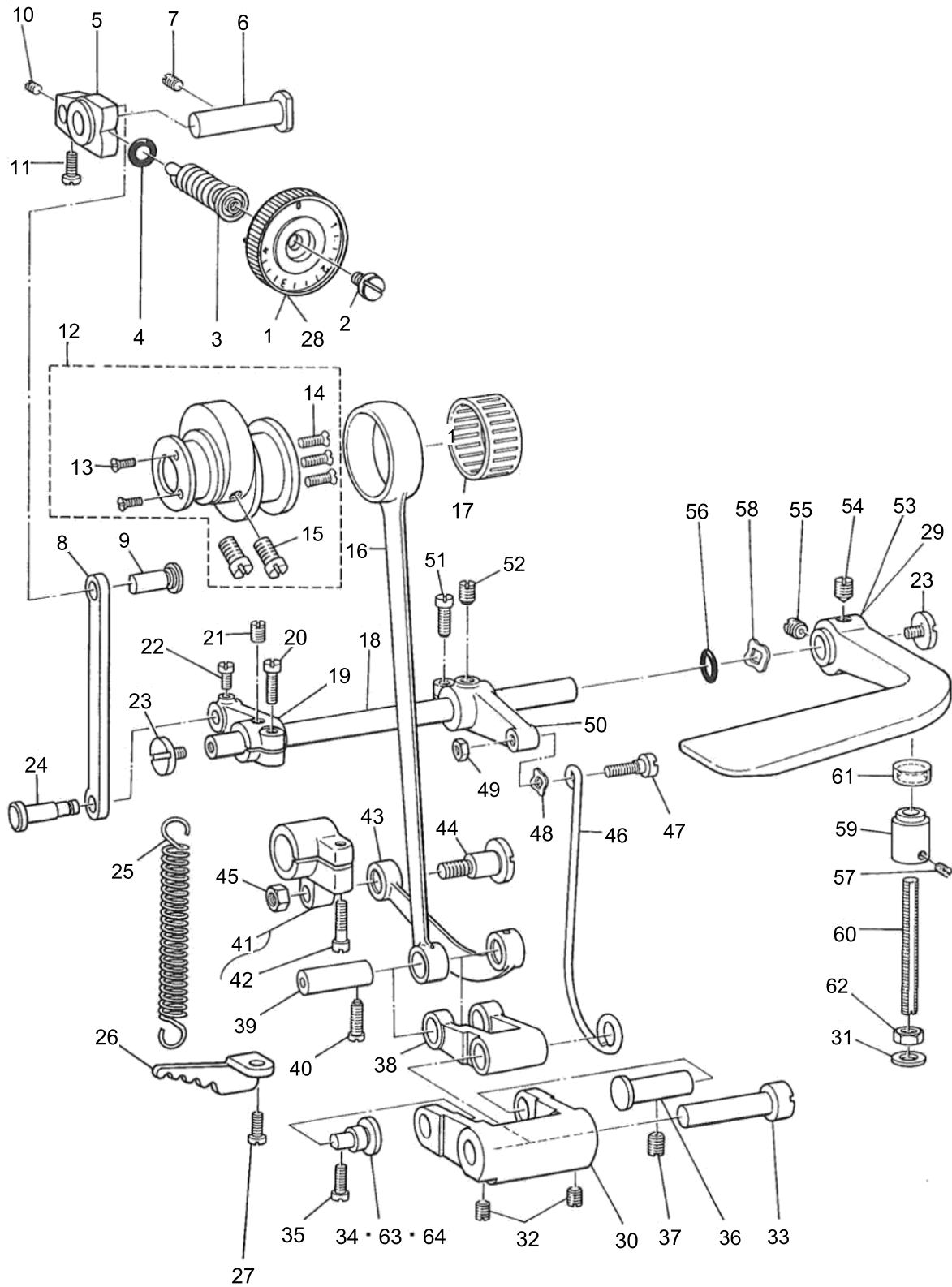
PRESSER BAR, UPRIGHT SHAFT & LOWER SHAFT COMPONENTS



PRESSER BAR, UPRIGHT SHAFT & LOWER SHAFT COMPONENTS

No.	Parts No.	Parts name	Remarks	Level	Cons	Qty
48	11004207	UPRIGHT SHAFT BUSHING LOWER				1
49	SS8151150SP	SCREW 15/64-28 L=10.5				2
50	40040301	LOWER SHAFT ASM.				1
51	B1607352000	BUSHING REAR				1
52	SS8151150SP	SCREW 15/64-28 L=10.5				1
53	22814909	FELT				1
54	CS111121ASH	THRUST COLLAR ASM. D=11.11 W=12				1
55	SS8660810TP	SCREW 1/4-40 L=8		*		2
56	B1803481000	BUSHING INTERMEDIATE				1
57	SS8151150SP	SCREW 15/64-28 L=10.5				1
58	B1802481000	BUSHING FRONT				1
59	SS8151150SP	SCREW 15/64-28 L=10.5				1
60	B1813481000	OIL SEAL				1
61	B2226481000	LOOPER THREAD GUARD BUSHING				1
62	22908909	HINGE SCREW				1
63	22907802	HAND LIFTER	FOR URBAN WHITE			1

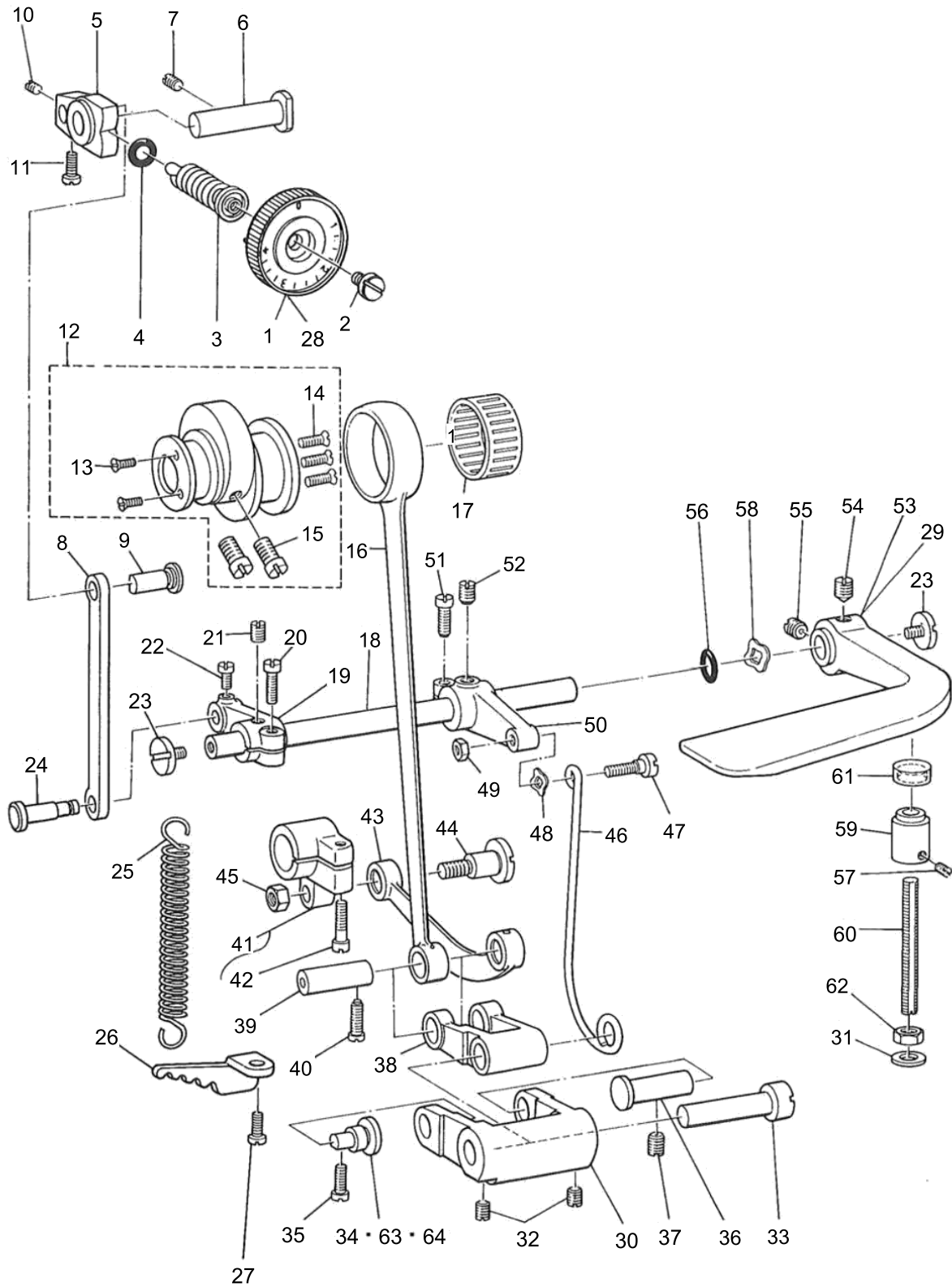
FEED MECHANISM COMPONENTS (1)



FEED MECHANISM COMPONENTS (1)

No.	Parts No.	Parts name	Remarks	Level	Cons	Qty
1	B1623555000A	FEED REGULATOR DIAL				1
2	SS6120930SP	SCREW 3/16-28 L=9				1
3	B1634555000B	STITCH LENGTH REGULATING SCREW				1
4	RO074240100	RUBBER RING				1
5	B1620481000	FEED REGULATOR				1
6	B1622555000	HINGE PIN				1
7	SS8150710SP	SCREW 15/64-28 L=7				1
8	40114880	FEED REGULATOR CONNECTING ROD				1
9	B1626555000	FEED REGULATOR CONNECTING ROD				1
10	SS8110510SP	SCREW 11/64-40 L=5				1
11	SS7110710SP	SCREW 11/64-40 L=7				1
12	B16103800A0	FEED ECCENTRIC CAM ASM.				1
13	SS2090710TP	SCREW 9/64-40 L=7.2		*		2
14	SS2110930SP	SCREW 11/64-40 L=8.75		*		3
15	SS6661110SP	SCREW 1/4-40 L=11		*		2
16	40114884	FEEDROCKERSHAFTCONNECTINGROD				1
17	B1636581B00	NEEDLE BEARING B	SELECTIVE PARTS			1
18	B1621555000A	CONTROL LEVER SHAFT				1
19	40120458	CONTROL LEVER SHAFT CRANK				1
20	SS6121210SP	SCREW 3/16-28 L=12				1
21	SS8150710SP	SCREW 15/64-28 L=7				1
22	SS7110910SP	SCREW 11/64-40 L=8.5				1
23	SS7620750SP	SCREW 3/16-32 L= 6.5				2
24	B1628555000	TENSION SPRING SUSPENSION STUD				1
25	B1646555000	TENSION SPRING				1
26	B1636555000	SUSPENSION BRACKET				1
27	SS7111120SP	SCREW 11/64-40 L=10.5				1
28	B1623555A00	FEED REGULATOR DIAL	FOR URBAN WHITE			1
29	B162438000A	REVERSE FEED CONTROL LEVER	FOR URBAN WHITE			1
30	40136257	FEED DRIVING ROCKER				1
31	WP0621016SD	WASHER 6.2X13X1				1
32	SS8620610SP	SCREW 3/16-32 L=6				2
33	40114882	FEED DRIVING ROCKER HINGE PIN				1
34	B1619555000	FEED DRIVING ROCKER HINGE PIN				1
35	SS7111120SP	SCREW 11/64-40 L=10.5				1
36	B1618161000	FEED DRIVING ROCKER ARM HINGE				1
37	SS8150710SP	SCREW 15/64-28 L=7				1
38	40136256	FEED DRIVING ROCKER ARM				1
39	B1633555000	ROCKER ARM CONNECTING PIN				1
40	SS7111260SP	SCREW 11/64-40 L=12				1
41	B1608481000	FEED ROCKER SHAFT CRANK ARM				1
42	SS6121610TP	SCREW 3/16-28 L=15.5		*		1
43	B1606481000	CONNECTING ROD				1
44	SD1020701SP	HINGE SCREW D=10.2 H=7				1
45	NS6680320SP	NUT 9/32-28				1
46	B1630555000	ROCKER ARM CONNECTING ROD				1
47	SD0500401SP	HINGE SCREW D= 5 H= 4				1

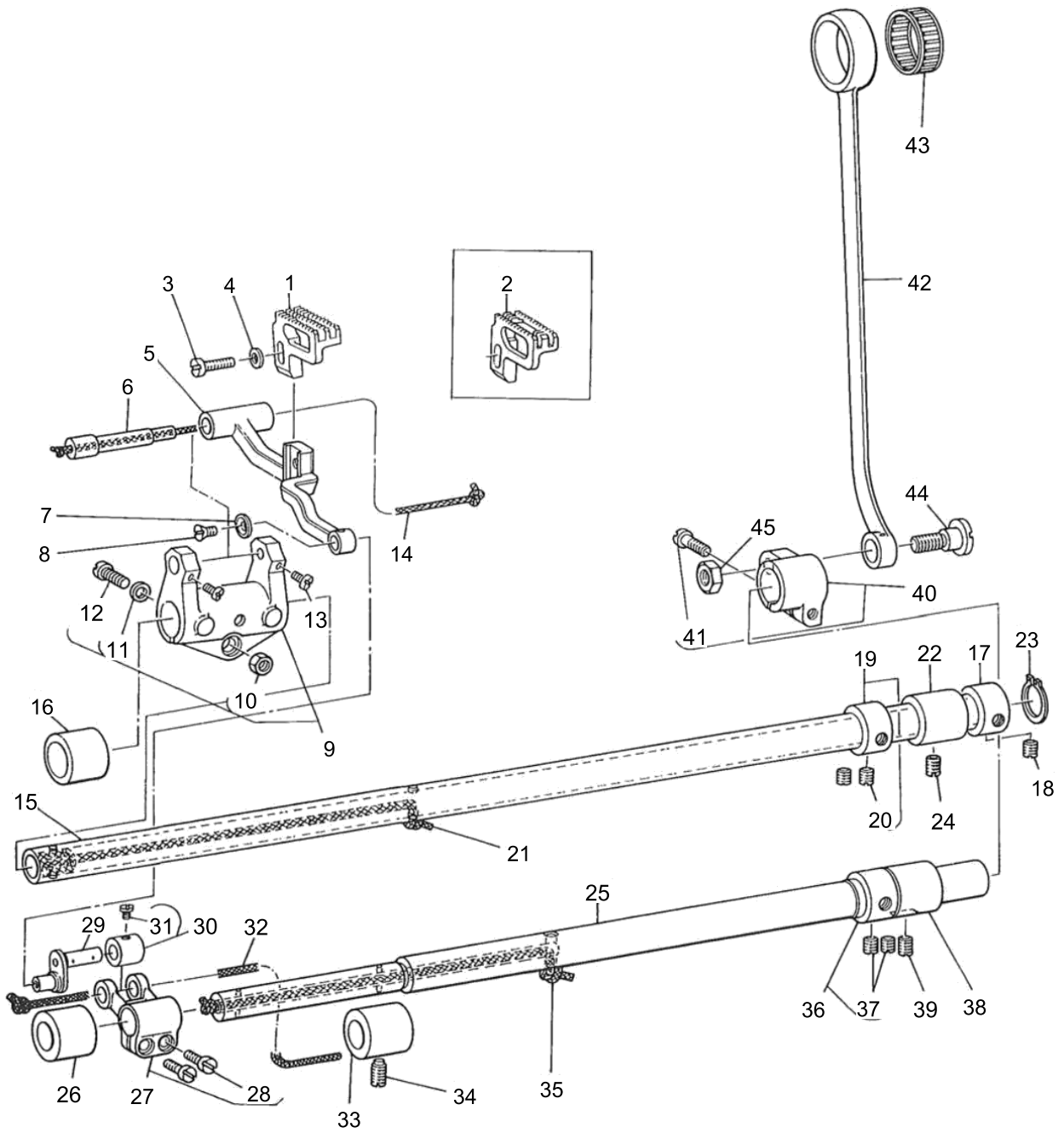
FEED MECHANISM COMPONENTS (1)



FEED MECHANISM COMPONENTS (1)

No.	Parts No.	Parts name	Remarks	Level	Cons	Qty
48	WZ0541510KP	WAVED WASHER 5.4X9.0X0.3				1
49	NS6120310SP	NUT 3/16-28				1
50	40114881	CONTROL LEVER CRANK REAR				1
51	SS6121210SP	SCREW 3/16-28 L=12				1
52	SS8150710SP	SCREW 15/64-28 L=7				1
53	B1624380000	REVERSE FEED CONTROL LEVER				1
54	SS8661040TP	SCREW 1/4-40 L=10				1
55	SS8660810TP	SCREW 1/4-40 L=8				1
56	RO069180100	RUBBER RING				1
57	SS8090540SP	SCREW 9/64-40 L=5				1
58	WZ1052010KP	WAVED WASHER				1
59	B1660380000	LEVER STOPPER				1
60	B1661481000	SCREW				1
61	B1662481000	LEVER STOPPER RUBBER CAP				1
62	NS6150430SP	NUT 15/64-28				1
63	40082080	FEED DRIVING ROCKER HINGE PIN 1	SELECTIVE PARTS			1
64	40082081	FEED DRIVING ROCKER HINGE PIN 2	SELECTIVE PARTS			1

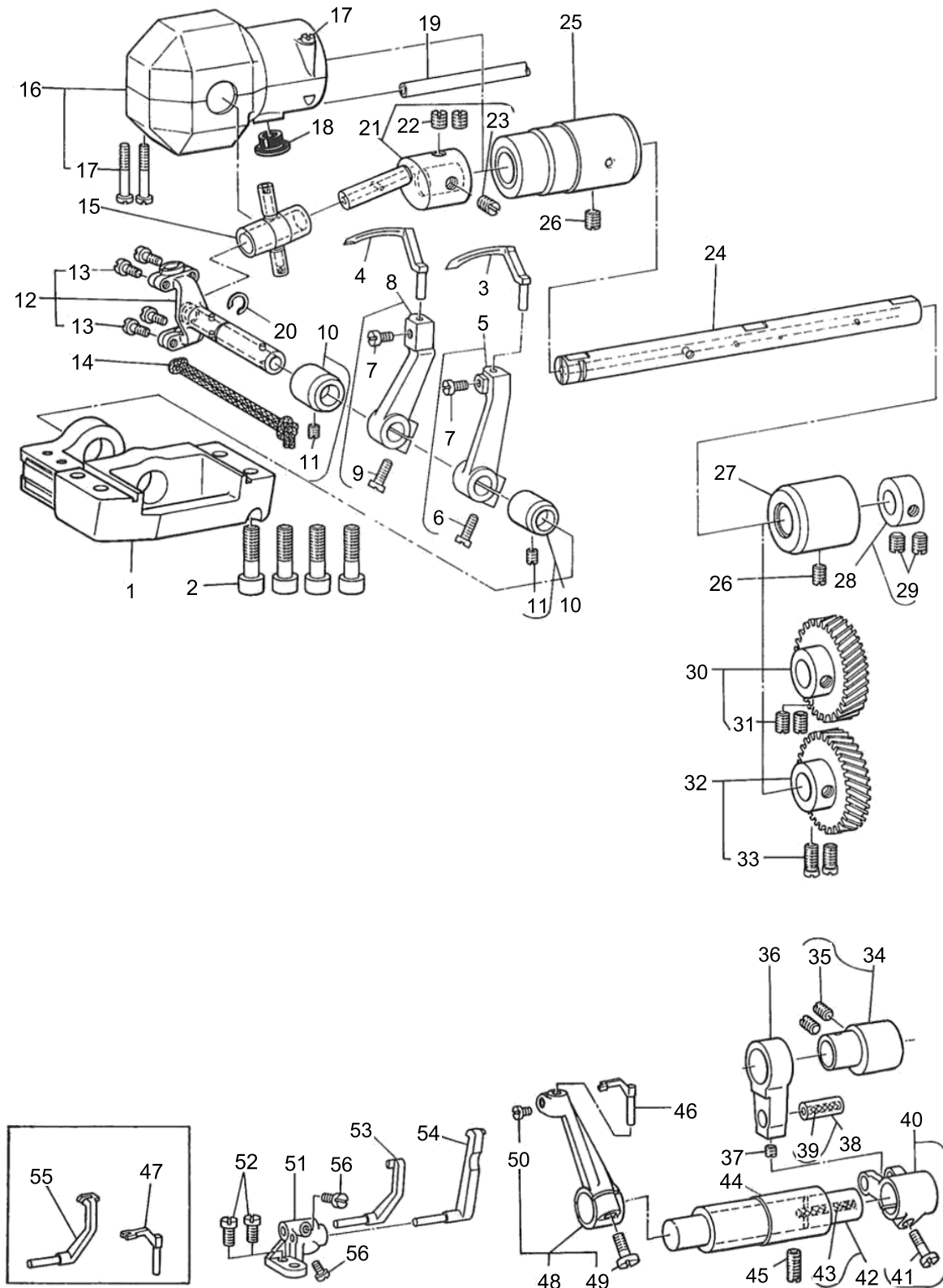
FEED MECHANISM COMPONENTS (2)



FEED MECHANISM COMPONENTS (2)

No.	Parts No.	Parts name	Remarks	Level	Cons	Qty
1	B1613380F00	FEED DOG (1/4)	FOR MH-380			1
2	B1613382000	FEED DOG	FOR MH-382			1
3	SS7111410TP	SCREW 11/64-40 L=14				1
4	WP0480856SP	WASHER 4.8X8.4X0.8				1
5	B1602481000A	FEED BAR				1
6	B1604486000	FEED BAR SHAFT				1
7	B1715481000	COUNTER-SUNK WASHER				1
8	SS1080510SP	SCREW 1/8-44 L=5				1
9	B16034860A0	FEED ROCKER ASM.				1
10	NS6120310SP	NUT 3/16-28		*		1
11	WP0480856SP	WASHER 4.8X8.4X0.8		*		1
12	SS6121840SP	SCREW 3/16-28 L=18		*		1
13	SS6090810SP	SCREW 9/64-40 L= 7.5				2
14	CQ303000000	OIL WICK				0.3
15	B1601555000	FEED ROCKER SHAFT				1
16	40133994	FEED ROCKER SHAFT BUSHING				1
17	CS1470712SH	THRUST COLLAR D=14.72 W=7				1
18	SS8110410TP	SCREW 11/64-40 L= 3.5				2
19	22904155	MAIN SHAFT THRUST COLLAR ASM.				1
20	SS8660610TP	SCREW 1/4-40 L=6		*		2
21	CQ303000000	OIL WICK				0.3
22	B1702155000	BUSHING REAR				1
23	RC0150001KP	RETAINING RING 13.8				1
24	SS8150710SP	SCREW 15/64-28 L=7				1
25	B1701481000	FEED DRIVING SHAFT				1
26	40133993	FEED ROCKER SHAFT BUSHING				1
27	B41033520A0	FEED ROCKER SHAFT CRANK ASM.				1
28	SS6621220SP	SCREW 3/16-32 L=12		*		2
29	B1713380000A	FEED BAR LINK				1
30	CS0640860SH	THRUST COLLAR ASM. D=6.35 W=8				1
31	SS8110510SP	SCREW 11/64-40 L=5		*		2
32	CQ303000000	OIL WICK				0.2
33	40133993	FEED ROCKER SHAFT BUSHING				1
34	SS8151150SP	SCREW 15/64-28 L=10.5				2
35	CQ303000000	OIL WICK				0.2
36	22904155	MAIN SHAFT THRUST COLLAR ASM.				1
37	SS8660610TP	SCREW 1/4-40 L=6		*		2
38	B1702155000	BUSHING REAR				1
39	SS8150710SP	SCREW 15/64-28 L=7				1
40	B17031550A0	FEED DRIVING SHAFT CRANK ASM.				1
41	SS6121610SP	SCREW 3/16-28 L=15.5		*		1
42	B1708481000	FEED DRIVING SHAFT CONNECTING	SELECTIVE PARTS			1
43	B171248100B	NEEDLE BEARING				1
44	SD1020701SP	HINGE SCREW D=10.2 H=7				1
45	NS6680410SP	NUT 9/32-28				1

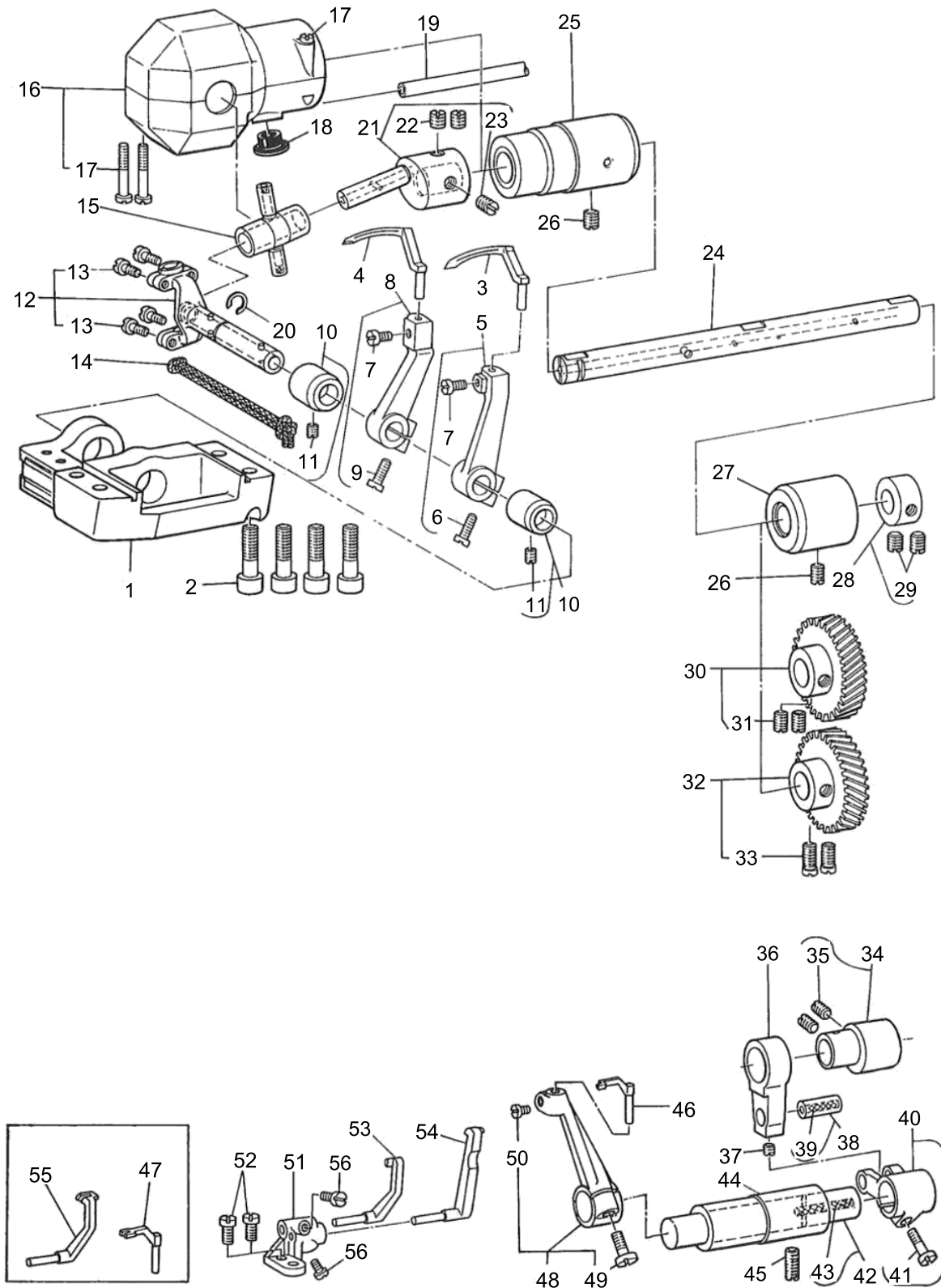
LOOPER & NEEDLE GUARD COMPONENTS



LOOPER & NEEDLE GUARD COMPONENTS

No.	Parts No.	Parts name	Remarks	Level	Cons	Qty
1	B2013481000A	LOOPER MOUNTING BASE				1
2	SM6062002TP	SCREW M6 L=20				4
3	B2030380000	LOOPER (LEFT)				1
4	B2031380000	LOOPER (RIGHT)				1
5	B20073800A0	LOOPER HOLDER ASM. LEFT				1
6	SS6121610TP	SCREW 3/16-28 L=15.5		*		2
7	SS7090520TP	SCREW 9/64-40 L= 4.5				2
8	B20063800A0	LOOPER HOLDER ASM. RIGHT				1
9	SS6121610TP	SCREW 3/16-28 L=15.5		*		1
10	B2012481000	BUSHING REAR				2
11	SS8110410TP	SCREW 11/64-40 L= 3.5		*		2
12	B20104810A0	LOOPER ROCKER SHAFT ASM.				1
13	SS7090910TP	SCREW 9/64-40 L= 8.5		*		4
14	CQ252000000	OIL WICK				0.2
15	B2008481000	TRUNNION				1
16	B20144810A0	LOOPER CRANK COVER ASM.				1
17	SS6092120SP	SCREW 9/64-40 L=21.2		*		3
18	TA1050504R0	RUBBER PLUG				1
19	BT0500300EA	OIL TUBE				0.1
20	B2032481000	LOOPER DRIVING LINK SET RING				1
21	B20053800A0	LOOPER CRANK ASM.				1
22	SS8660810TP	SCREW 1/4-40 L=8		*		2
23	B2007481000	LOOPER CRANK ADJUSTING SCREW		*		1
24	B2001481000A	LOOPER CRANK DRIVING SHAFT				1
25	B2002481000	BUSHING FRONT				1
26	SS8150710SP	SCREW 15/64-28 L=7				2
27	B1803481000	BUSHING INTERMEDIATE				1
28	CS111121ASH	THRUST COLLAR ASM. D=11.11 W=12				1
29	SS8660810TP	SCREW 1/4-40 L=8		*		2
30	B20044810A0	GEAR UPPER				1
31	SS8660810TP	SCREW 1/4-40 L=8		*		2
32	B20054810AB	GEAR LOWER				1
33	SS6660610TP	SCREW 1/4-40 L=6		*		2
34	B23013800A0	NEEDLE GUARD CAM ASM.				1
35	SS8150710TP	SCREW 15/64-28 L=7		*		2
36	B2302481000	NEEDLE GUARD CRANK ROD				1
37	SS8110410TP	SCREW 11/64-40 L= 3.5				1
38	B16104300A0	PIN ASM.				1
39	CQ303000000	OIL WICK		*		0.1
40	B23044810A0	REAR NEEDLE GUARD ROCKER FORK ASM.				1
41	SS7111310TP	SCREW 11/64-40 L=12.8		*		1
42	B23063800A0	NEEDLE GUARD DRIVING SHAFT ASM.				1
43	CQ303000000	OIL WICK		*		0.1
44	B2307481000	BUSHING				1
45	SS8150710SP	SCREW 15/64-28 L=7				1
46	B2311380E00	REAR MOVING NEEDLE GUARD	FOR MH-380			1
47	B2311382000	NEEDLE GUARD	FOR MH-382			1

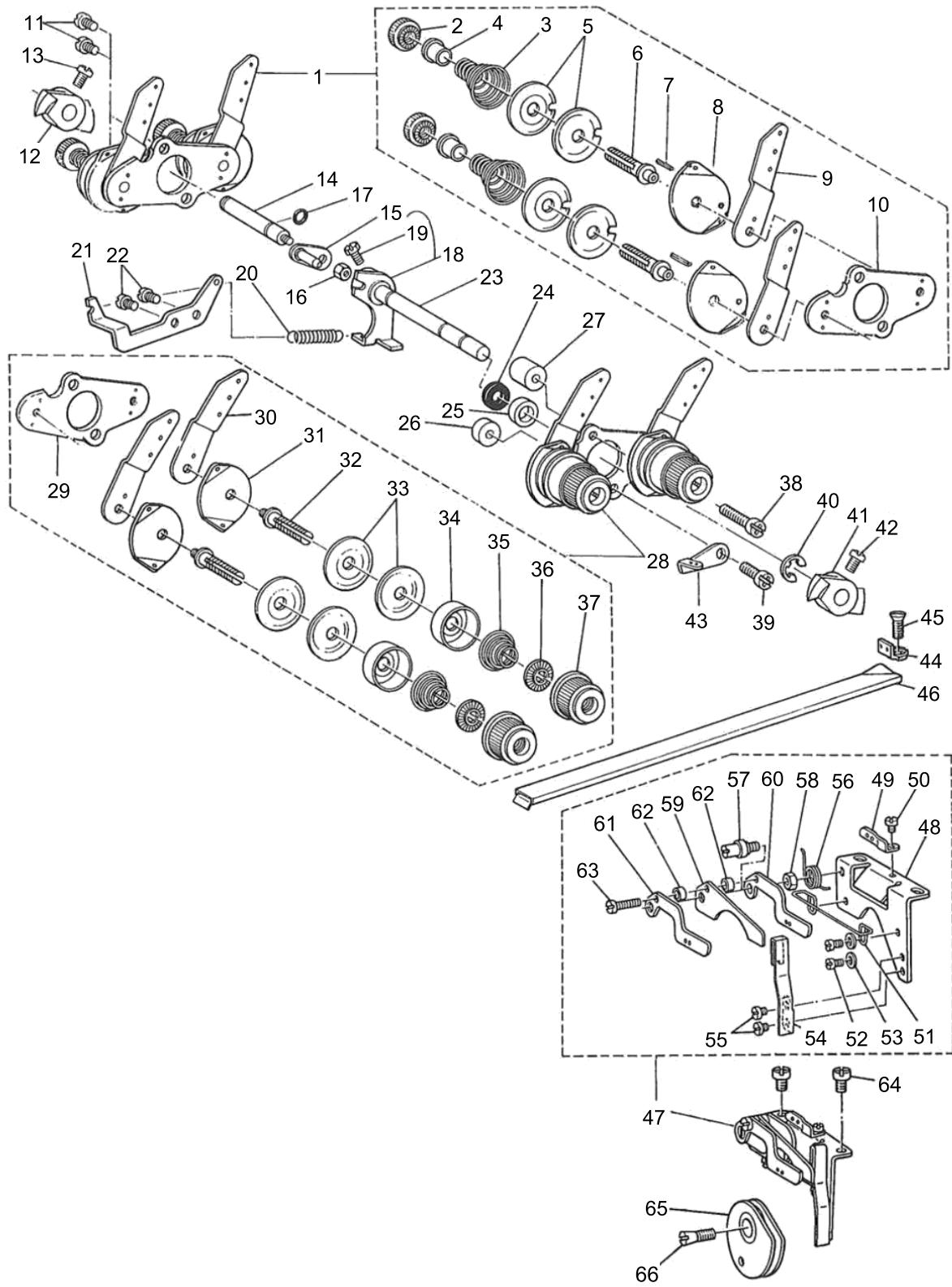
LOOPER & NEEDLE GUARD COMPONENTS



LOOPER & NEEDLE GUARD COMPONENTS

No.	Parts No.	Parts name	Remarks	Level	Cons	Qty
48	B23094810A0	REARNEEDLEGUARDROCKERARMASM.				1
49	SS6121220TP	SCREW 3/16-28 L=11.5		*		1
50	SS7090910TP	SCREW 9/64-40 L= 8.5		*		1
51	B2313380000A	NEEDLE GUARD BASE				1
52	SS7110710SP	SCREW 11/64-40 L=7				2
53	B2312380000	LEFT FIX NEEDLE GUARD	FOR MH-380			1
54	B2315380000	RIGHT FIX NEEDLE GUARD	FOR MH-380			1
55	B2312382000	NEEDLE GUARD	FOR MH-382			1
56	SS6090510TP	SCREW 9/64-40 L= 5.0				2

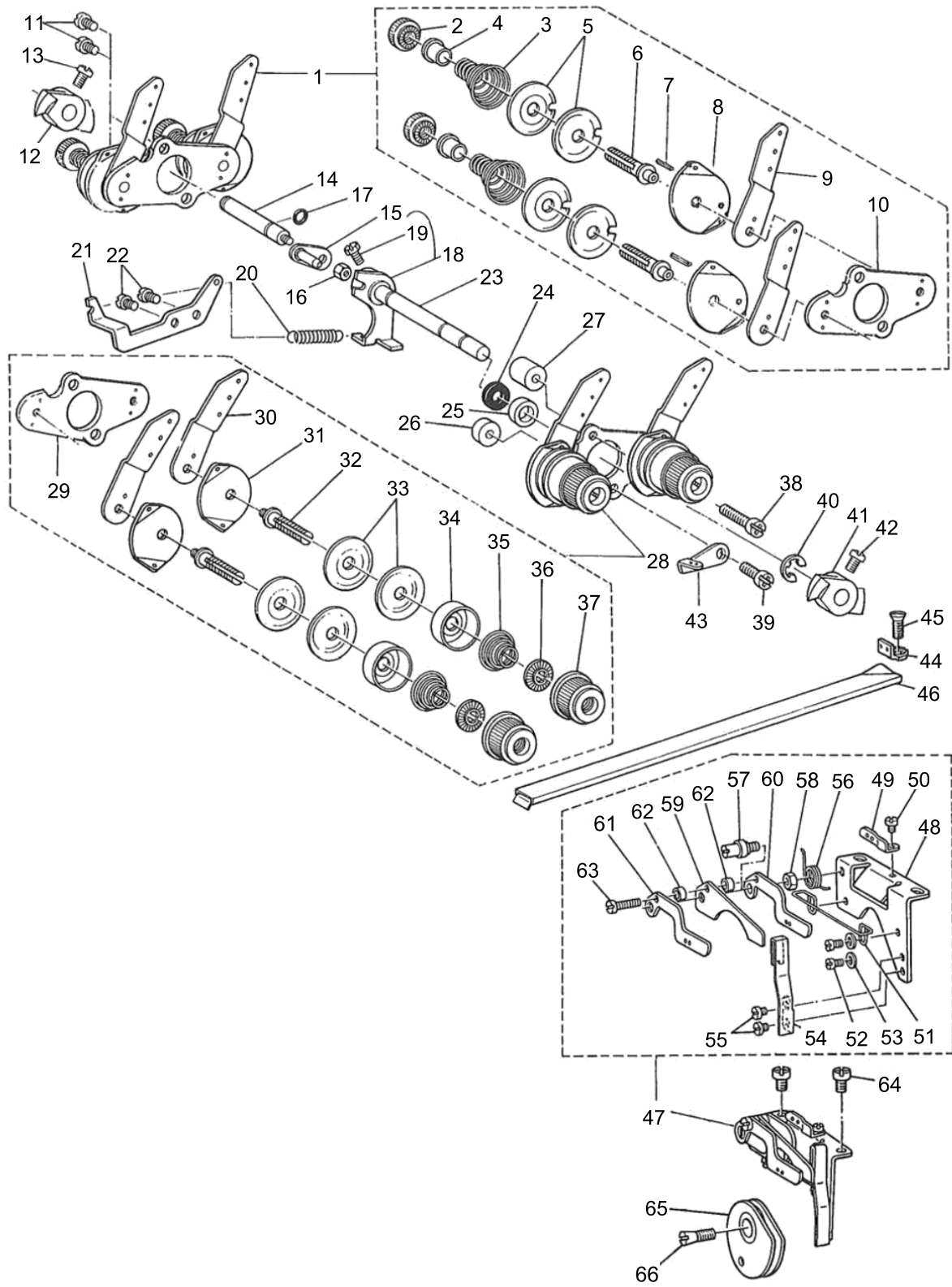
THREAD TENSION CONTROLLER COMPONENTS



THREAD TENSION CONTROLLER COMPONENTS

No.	Parts No.	Parts name	Remarks	Level	Cons	Qty
1	B3101380BA0	LOWER THREAD TENSION ASM.				1
2	11072204	TENSION NUT		*		2
3	B3106481000	LOOPER THREAD TENSION SPRING		*		2
4	B3120125000	ROTATING STOPPER		*		2
5	B3126352000	TENSION DISC		*		4
6	B3104481000	LOOPER THREAD TENSION POST		*		2
7	PS0200102KH	SPRING PIN 2.0 X 10		*		2
8	B3106380000	THREAD GUIDE		*		2
9	B3103481000	LOOPER THREAD TENSION CONTROL		*		2
10	B3101380000	TENSION INSTALLING PLATE		*		2
11	SS4110715SP	SCREW 11/64-40 L=7				2
12	B3121380000	LOOPER THREAD RELEASE LATCH				1
13	SS6110420TP	SCREW 11/64-40 L=4.8				1
14	B3135481000	LOOPER THREAD RELEASE SHAFT				1
15	D3136481CA0	TENSION RELEASE ARM ASM.				1
16	NS6110310SP	NUT 11/64-40				1
17	RO037180100	RUBBER RING				1
18	D3130481CA0	TENSION RELEASE ARM ASM.				1
19	SS6110710TP	SCREW 11/64-40 L= 6.5		*		1
20	D3134481C00	SPRING				1
21	D3133481C00	SUSPENSION BRACKET				1
22	SS4110715SP	SCREW 11/64-40 L=7				2
23	D3110481C00	TENSION RELEASE SHAFT				1
24	B1522552000	OIL SEAL RING				1
25	B3115481000	TENSION RELEASE SHAFT SPACER				1
26	B3116481000	SPACER(A) FOR INSTALLING PLATE				1
27	B3117481000	SPACER(B) FOR INSTALLING PLATE				1
28	B3101380AA0	NEEDLE THREAD TENSION ASM.				1
29	B3101380000	TENSION INSTALLING PLATE		*		1
30	B3102481000	NEEDLE THREAD TENSION GUIDE PLATE		*		2
31	B2306019000	TENSION THREAD GUIDE		*		2
32	B3104481000	LOOPER THREAD TENSION POST		*		2
33	B3126012000	THREAD TENSION DISK		*		4
34	B3107704000	TENSION DISC PRESSER TUBE		*		2
35	B3129012A00	TENSION SPRING		*		2
36	B3120125000	ROTATING STOPPER		*		2
37	B3119771000	THREAD TENSION NUT		*		2
38	SS4112515SP	SCREW 11/64-40 L=25				1
39	SS4111415SP	SCREW 11/64-40 L=14				1
40	RE0600000K0	E-RING 6				1
41	B3120380000	NEEDLE THREAD RELEASE LATCH				1
42	SS6110420TP	SCREW 11/64-40 L=4.8				1
43	B3122481000	FRAME THREAD GUIDE				1
44	B2201481000A	LOOPER THREAD GUIDE				1
45	SS1110710SP	SCREW 11/64-40 L=7				1
46	B2202481000	LOOPER THREAD GUIDE TUBE				1
47	B22104810A0	LOOPER THREAD GUIDE ASM.				1

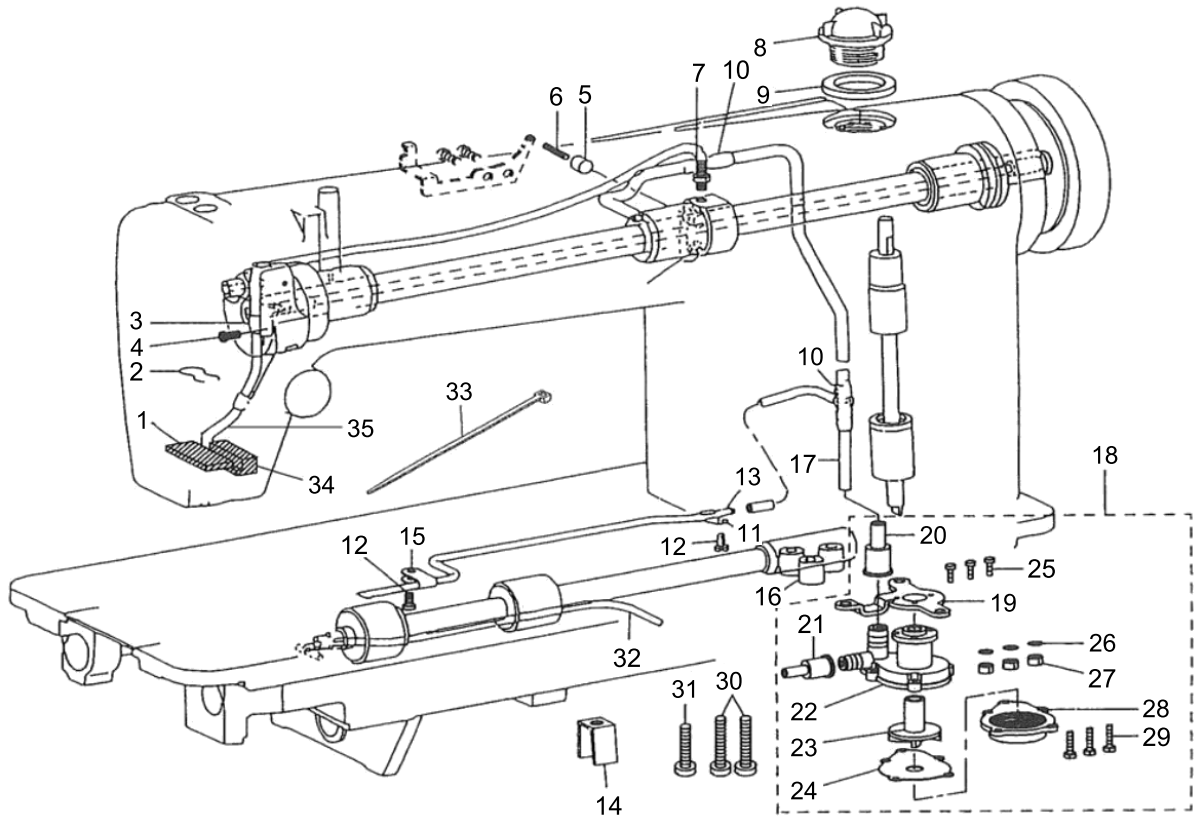
THREAD TENSION CONTROLLER COMPONENTS



THREAD TENSION CONTROLLER COMPONENTS

No.	Parts No.	Parts name	Remarks	Level	Cons	Qty
48	B2210481000	THREAD GUIDE PLATE		*		1
49	B2203481000	LOOPER THREAD GUIDE(B)		*		1
50	SS6080320SP	SCREW 1/8-44 L= 2.5		*		1
51	B2218481000	CAST-OFF WIRE		*		1
52	SS6080410SP	SCREW 1/8-44 L=4		*		2
53	WP0371026SD	WASHER 3.7X7X1		*		2
54	B2217481000	THREAD GUIDE STOPPER SPRING		*		1
55	SS6080320SP	SCREW 1/8-44 L= 2.5		*		2
56	B2216481000	THREAD GUIDE SPRING		*		1
57	B2214481000	THREAD GUIDE STUD		*		1
58	NS6110310SP	NUT 11/64-40		*		1
59	B2213481000	CAST-OFF PLATE		*		1
60	B2212481000	LOOPER THREAD GUIDE RIGHT		*		1
61	B2211481000	LOOPER THREAD GUIDE LEFT		*		1
62	B2215481000	COLLAR		*		2
63	SS7081310SP	SCREW 1/8-44 L=12.5		*		1
64	SS4110515SP	SCREW 11/64-40 L=5				2
65	B2220481010	LOOPER THREAD CAM ASM.				1
66	B2225481000	SCREW				1

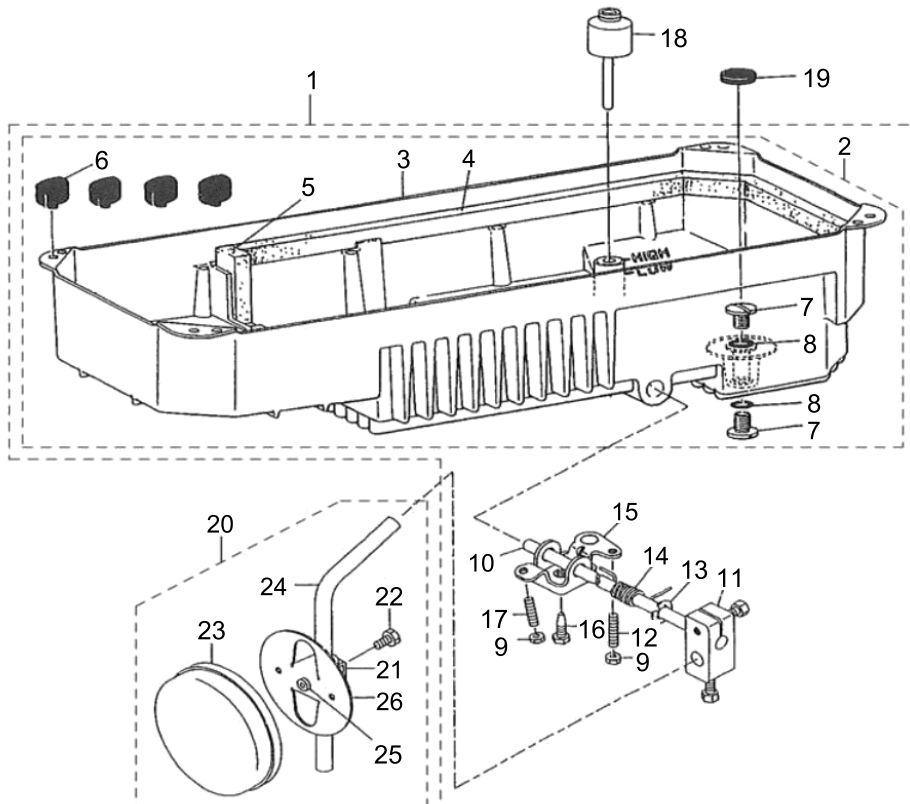
OIL LUBRICATION MECHANISM COMPONENTS



OIL LUBRICATION MECHANISM COMPONENTS

No.	Parts No.	Parts name	Remarks	Level	Cons	Qty
1	B3528552000	OIL RETURN FELT				1
2	22925101	OIL FELT PRESSER				1
3	D3536555B00	OIL RETURN TUBE PRESSER PLATE				1
4	SS4110715SP	SCREW 11/64-40 L=7				1
5	B3534155000	PLUNGER				1
6	B1214038000	PLUNGER SPRING				1
7	SQ1110401MZ	CONNECTING SCREW				2
8	B3530555000	OIL SIGHT WINDOW				1
9	RO195240100	RUBBER RING				1
10	B3527415000	RUBBER JOINT				2
11	B2657771000	GUIDE				1
12	SS4110715SP	SCREW 11/64-40 L=7				2
13	B3553481000	GEAR OIL PIPE				1
14	B3545122000	OIL GUARD				1
15	B3554481000	HOLDER				1
16	B3552481000	OIL PUMP INSTALLING COLLAR				3
17	B3513481000A	UPPER SHAFT LUBRICATING PIPE				1
18	B35015550A0	LUBRICATING OIL PUMP ASM.				1
19	B3503555000	OIL PUMP INSTALLING BASE		*		1
20	B3505555000	RUBBER JOINT		*		1
21	B3506555000	RUBBER JOINT		*		1
22	B3501555000	LUBRICATING OIL PUMP		*		1
23	B3507555000	OIL PUMP IMPELLER		*		1
24	B3508555000	OIL PUMP IMPELLER COVER		*		1
25	SM4031001SC	SCREW M3X0.5 L=10		*		3
26	WT0320002KZ	WASHER		*		3
27	NM60300000E	NUT M3X0.5		*		3
28	B3502555000A	LUBRICATING OIL PUMP COVER		*		1
29	SE4301031SR	SCREW		*		5
30	SS6123010SP	SCREW 3/16-28 L=30.0				2
31	SS6122510SP	SCREW 3/16-28 L=25				1
32	B3521481000A	LUBRICATING OIL PIPE				1
33	EA9500B0000	CLIP CV-70S				1
34	B3526226000	OIL SPONGE				1
35	BP300000000	VINYL PIPE				0.4

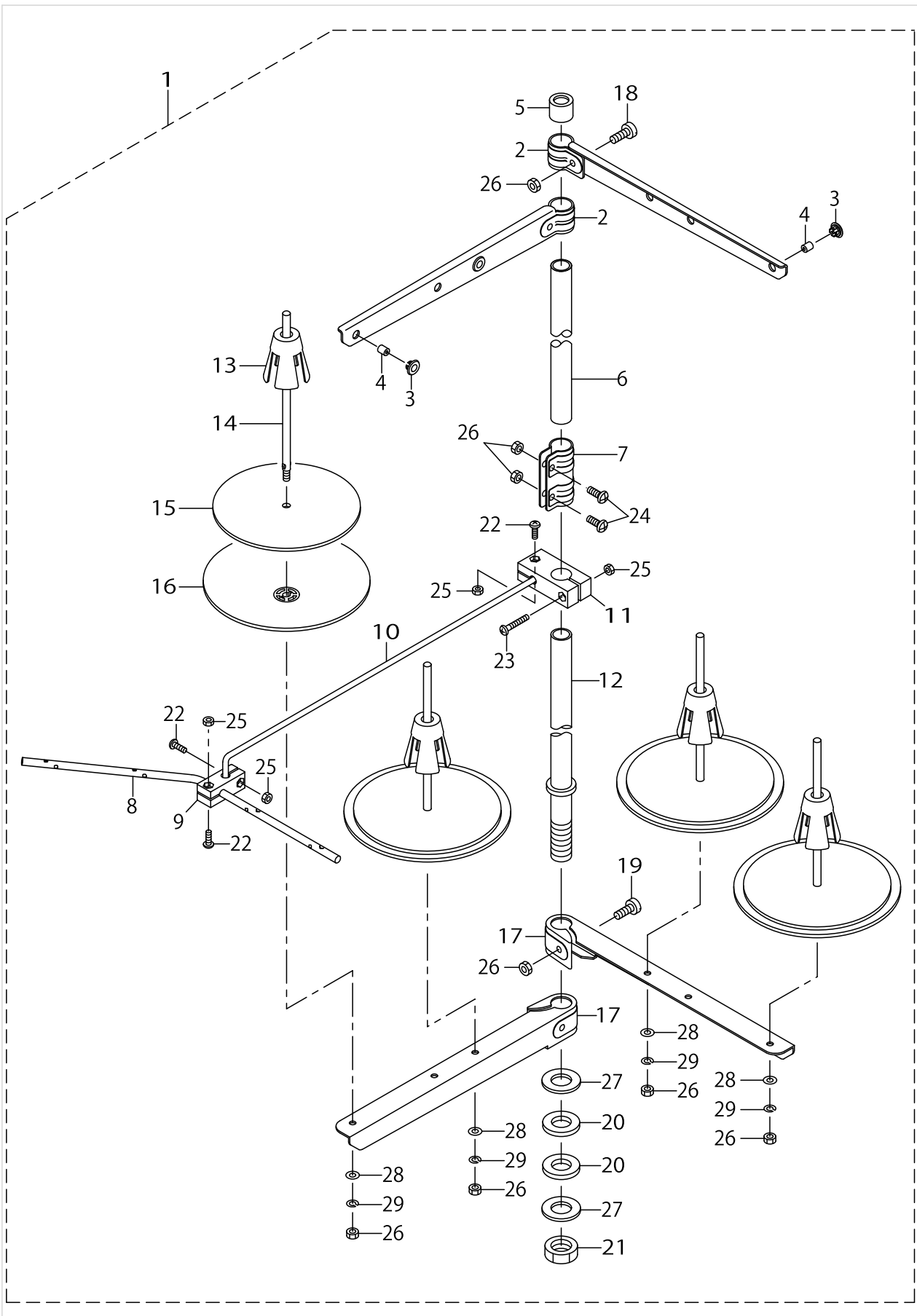
OIL RESERVOIR & KNEE LIFTER COMPONENTS



OIL RESERVOIR & KNEE LIFTER COMPONENTS

No.	Parts No.	Parts name	Remarks	Level	Cons	Qty
1	B8217481AD0	OIL RESERVOIR ASM.				1
2	B8217481AC0	OIL RESERVOIR ASM.		*		1
3	B8217481000	OIL RESERVOIR		*		1
4	B8235481000	GASKET A		*		2
5	B8237481000	GASKET C		*		1
6	D8227555E00	FELT CUSHION		*		4
7	SS7701010SP	SCREW 5/16-24 L=10		*		2
8	RO068190100	RUBBER RING		*		2
9	NM6060001SE	NUT M6		*		2
10	B3420555000	KNEE PRESS ROD		*		1
11	22932453	BRACKET ASM.		*		1
12	SM8063012TR	SCREW M6 L=30		*		1
13	B3426552000	THRUST RING		*		1
14	11024106	SPRING		*		1
15	B3425555000A	KNEE LIFTER ROTATION ARM		*		1
16	SM9061853SR	SCREW M6 L=17.5		*		1
17	SM8063012TR	SCREW M6 L=30		*		1
18	B3421555000	KNEE PRESS LIFTER ROD				1
19	B8228125000	OIL RESERVOIR MAGNET				1
20	22934251	KNEE PAD PLATE ASM.				1
21	22934301	KNEE PAD PLATE SUPPORT		*		1
22	SM9061203SE	SCREW M6 L=12		*		1
23	22934509	KNEE PAD PLATE COVER		*		1
24	22934608	KNEE PAD UPRIGHT SHAFT		*		1
25	22934400	KNEE PAD PLATE RUBBER		*		1
26	22934202	KNEE PAD PLATE		*		1

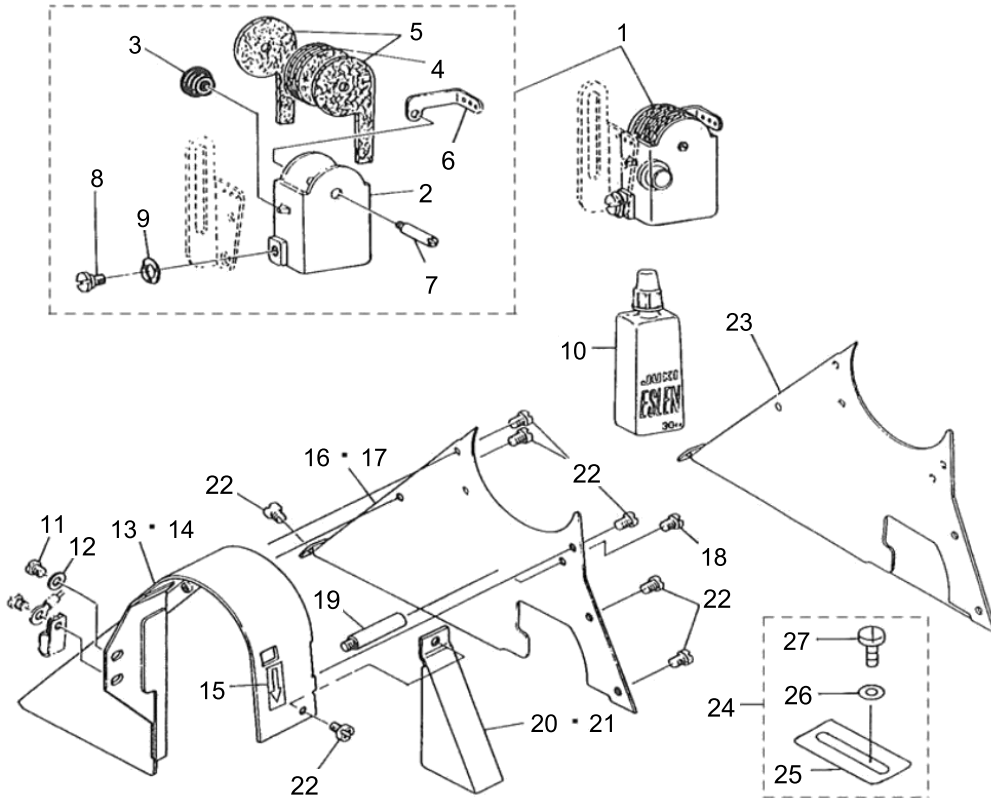
THREAD STAND COMPONENTS



THREAD STAND COMPONENTS

No.	Parts No.	Parts name	Remarks	Level	Cons	Qty
1	40106590	THREAD STAND ASM.				1
2	40085787	SPOOL REST ARM UPPER		*		2
3	40085795	THREAD GUIDE BUSHING		*		4
4	40085794	THREAD GUIDE		*		4
5	40085793	SPOOL REST ROD RUBBER CAP		*		1
6	40085785	SPOOL REST ROD UPPER		*		1
7	40085792	SPOOL REST ROD JOINT		*		1
8	40106582	THREAD GUIDE 4		*		1
9	40106580	THREAD GUIDE UNDER BASE		*		1
10	40106576	THREAD GUIDE ARM		*		1
11	40106579	THREAD GUIDE ARM BASE		*		1
12	40085784	SPOOL REST ROD LOWER		*		1
13	40085791	SPOOL RETAINER		*		4
14	40085790	SPOOL PIN		*		4
15	40085789	SPOOL REST CUSHION		*		4
16	40085788	SPOOL REST		*		4
17	40085786	SPOOL REST ARM LOWER		*		2
18	40096327	SPOOL REST ARM UPPER SCREW		*		2
19	40096326	SPOOL REST ARM LOWER SCREW		*		2
20	40085796	SPOOL REST ROD RUBBER CUSHION		*		2
21	40096325	SPOOL REST ROD NUT		*		1
22	SM4041201SC	SCREW M4 L=12		*		3
23	SM4042501SC	SCREW M4X0.7 L=25		*		1
24	SM4051405SE	SCREW M5 L=14		*		2
25	NM6040002SC	NUT M4		*		4
26	NM6050001SE	NUT M5		*		10
27	WP1612616SE	WASHER 16X30X2.6		*		2
28	WP0531001SC	WASHER M5		*		4
29	WS0510002KN	SPRING WASHER M5		*		4

SILICON OIL LUBRICANT & BELT COVER COMPONENTS



SILICON OIL LUBRICANT & BELT COVER COMPONENTS

No.	Parts No.	Parts name	Remarks	Level	Cons	Qty
1	B11614810B0	SILICONE OIL LUBRICANT ASM.	SPECIAL ORDER PARTS			1
2	B1161481000A	SILICON OIL CASE	SPECIAL ORDER PARTS	*		1
3	TA1050504R0	RUBBER PLUG	SPECIAL ORDER PARTS	*		1
4	B1162481000	SILICON OIL FELT	SPECIAL ORDER PARTS	*		5
5	B1166481000	SILICON OIL FELT	SPECIAL ORDER PARTS	*		2
6	B1167481000	SILICON THREAD GUIDE	SPECIAL ORDER PARTS	*		1
7	B1168481000	SCREW	SPECIAL ORDER PARTS	*		1
8	SD0640231SP	HINGE SCREW D= 6.35 H= 2.3	SPECIAL ORDER PARTS	*		1
9	WZ0641510KP	WAVED WASHER 6.4X11X0.3	SPECIAL ORDER PARTS	*		1
10	B91351230B0	SILICON OIL LUBRICANT ASM. (30CC)	SPECIAL ORDER PARTS			1
11	SS4150915SP	SCREW 15/64-28 L=9				1
12	WP0621016SD	WASHER 6.2X13X1				1
13	D8230555E00	BELT COVER				1
14	B82303800A0	BELT COVER	FOR URBAN WHITE			1
15	CM500300001	DIRECTION LABEL	FOR URBAN WHITE			1
16	D8231555E00	BELT COVER TOP				1
17	D8231555E0B	BELT COVER TOP	FOR URBAN WHITE			1
18	SS4110815SP	SCREW 11/64-40 L=8				1
19	D8232555B00	BELT COVER SUPPORT				1
20	D8232555E00	THREAD WINDER COVER				1
21	D8232555E0A	BOBBIN WINDER COVER	FOR URBAN WHITE			1
22	SS4110515SP	SCREW 11/64-40 L=5				7
23	B8231380000	BELT COVER TOP	FOR JE & USE IN JAPAN			1
24	10163152	BELT COVER SUPPORT PLATE ASM.	FOR JE			1
25	10163103	BELT COVER SUPPORT PLATE		*		1
26	WP0501016SC	WASHER 5X10.5X1		*		1
27	SK3482500SC	WOOD SCREW D=4.8 L=25		*		1

TABLE OF EXCHANGING GAUGE SETS (1) FOR MH-380 & 382


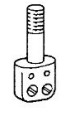



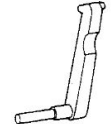





Throat plate		Needle clamp asm.		Presser foot asm. (with finger guard)		Feed dog		Rear moving needle guard		Right fix needle guard		
針板		針留 (組)		押え (組) (針力バー付)		送り歯		揺動針受		右側固定針受		
A		B		C		D		E		F		
												
1	B1103380B00	10	B1406019BA0	19	B1509038BB0	28	B1613380B00	35	B2311380B00	40	B2315380000	4
2	B1103380C00	11	B1406019CA0	20	B1509038CB0							
3	B1103380D00	12	B1406019DA0	21	B1509038DB0	29	B1613380D00					
4	B1103380E00	13	B1406019EA0	22	B1509038EB0	30	B1613380F00	36	B2311380E00			
5	B1103380F00	14	B1406019FA0	23	B1509038FB0							
6	B1103380H00	15	B1406038HA0	24	B1509038HB0	31	B1613380H00	37	B2311380H00			
7	B1103380K00	16	B1406038KA0	25	B1509038KB0	32	B1613380K00					
8	B1103380L00	17	B1406038LA0	26	B1509038LBB	33	B1613380L00	38	B2311380L00			
9	B1103382000	18	D1406038BA0	27	B15243820B0	34	B1613382000	39	B2311382000	42	B231238	

TABLE OF EXCHANGING GAUGE SETS (1) FOR MH-380 & 382

No.	Parts No.	Parts name	Remarks	Level	Cons	Qty
1	B1103380B00	THROAT PLATE				1
2	B1103380C00	THROAT PLATE				1
3	B1103380D00	THROAT PLATE				1
4	B1103380E00	THROAT PLATE 7/32				1
5	B1103380F00	THROAT PLATE 1/4				1
6	B1103380H00	THROAT PLATE				1
7	B1103380K00	THROAT PLATE				1
8	B1103380L00	THROAT PLATE				1
9	B1103382000	THROAT PLATE				1
10	B1406019BA0	NEEDLE CLAMP ASM. 1/8				1
11	B1406019CA0	NEEDLE CLAMP ASM. 5/32				1
12	B1406019DA0	NEEDLE CLAMP ASM. 3/16				1
13	B1406019EA0	NEEDLE CLAMP ASM. 7/32				1
14	B1406019FA0	NEEDLE CLAMP ASM. 1/4				1
15	B1406038HA0	NEEDLE CLAMP ASM. 5/16				1
16	B1406038KA0	NEEDLE CLAMP ASM. 3/8				1
17	B1406038LA0	NEEDLE CLAMP ASM. 1/2				1
18	D1406038BA0	NEEDLE CLAMP ASM.				1
19	B1509038BB0	PRESSER FOOT ASM. 1/8				1
20	B1509038CB0	PRESSER FOOT ASM. 5/32				1
21	B1509038DB0	PRESSER FOOT ASM.(FINGER GUARD)				1
22	B1509038EB0	PRESSER FOOT ASM. 7/32				1
23	B1509038FB0	PRESSER FOOT ASM. 1/4				1
24	B1509038HB0	PRESSER FOOT 5/16 ASM.				1
25	B1509038KB0	PRESSER FOOT ASM. 3/8				1
26	B1509038LBB	PRESSER FOOT ASM. 1/2				1
27	B15243820B0	PRESSER FOOT				1
28	B1613380B00	FEED DOG				1
29	B1613380E00	FEED DOG				1
30	B1613380F00	FEED DOG (1/4)				1
31	B1613380H00	FEED DOG				1
32	B1613380K00	FEED DOG				1
33	B1613380L00	FEED DOG				1
34	B1613382000	FEED DOG				1
35	B2311380B00	REAR MOVING NEEDLE GUARD				1
36	B2311380E00	REAR MOVING NEEDLE GUARD				1
37	B2311380H00	REAR MOVING NEEDLE GUARD				1
38	B2311380L00	REAR MOVING NEEDLE GUARD				1
39	B2311382000	NEEDLE GUARD				1
40	B2315380000	RIGHT FIX NEEDLE GUARD				1
41	B2312380000	LEFT FIX NEEDLE GUARD				1
42	B2312382000	NEEDLE GUARD				1

TABLE OF EXCHANGING GAUGE SETS (2) FOR MH-380 & 382

380

Description 品名	Right looper		Left looper		Bed slide asm.		Cam cover asm.		Folder フォル	
	右側ルーパ		左側ルーパ		滑り板 (組)		カムカバー (組)		MF	
	I		J		K		L		M	
										
Components 部 品 番 号 関 係	3.2mm)				3		5		8	
	(4.0mm)								9	
	(4.8mm)								10	
	(5.6mm)								11	
	(6.4mm)								12	
	(7.9mm)						6		13	
	(9.5mm)									
	(12.7mm)				4		7			
1		2		3		5		8		
B2030-380-000		B2031-380-000		B1104-380-AA0		B1108-380-BA0		B9126-038		
						6		B9126-038		
						7		B9126-038		
				4		B1104-380-LA0		B1108-380-LA0		

382

14	B2030-380-000	15	B2031-380-000	16	B1104-380-A00	17	B1108-380-B00
----	---------------	----	---------------	----	---------------	----	---------------

code サイズ記号

2 Folder code フォルダー記号

(3.2mm) = B	1/4"(6.4mm) = F	MH(For medium heavy weight materials 中厚物用) = B
1/2"(4.0mm) = C	5/16"(7.9mm) = H	
3/8"(4.8mm) = D	3/8"(9.5mm) = K	
1/2"(5.6mm) = E	1/2"(12.7mm) = L	

TABLE OF EXCHANGING GAUGE SETS (2) FOR MH-380 & 382

No.	Parts No.	Parts name	Remarks	Level	Cons	Qty
1	B2030380000	LOOPER (LEFT)				1
2	B2031380000	LOOPER (RIGHT)				1
3	B1104380AA0	BED SLIDE ASM.				1
4	B1104380LA0	BED SLIDE ASM. (1/2)				1
5	B1108380BA0	CAM COVER ASM.				1
6	B1108380HA0	CAM COVER ASM.				1
7	B1108380LA0	CAM COVER ASM. (1/2)				1
8	B9126038BAB	BINDER MH 1/8				1
9	B9126038CAB	BINDER MH 5/32				1
10	B9126038DAB	BINDER MH 3/16				1
11	B9126038EAB	BINDER MH 7/32				1
12	B9126038FAB	BINDER MH 1/4				1
13	B9126038HAB	FOLDER (MH) ASM. 7/32				1
14	B2030380000	LOOPER (LEFT)				1
15	B2031380000	LOOPER (RIGHT)				1
16	B1104380A00	BED SLIDE				1
17	B1108380B00	CAM COVER				1

HOW TO MAKE USE OF THIS PARTS LIST

1.Explanation of codes

1)"*"mark.....means this part is changed from the previous parts book.

As to the details of the change, refer to the "List for information of change".

2)"#01".....refer to "Note" explanation at bottom of page.

2.Codes on the "Qty" column

- Each numeral indicates the number of parts required.
- "0.1" and "2.5" indicate the length (in meters) of the respective parts.

3.Parentheses mean that the corresponding part is a subpart that constructs an assembly part.

4.Dotted lines on the Figures indicate assembly parts.

1."注記"欄の記号説明

1) "*"印.....前回のパーツブックに比較して今回変更された部品を意味します。

変更内容は、"変更情報リスト"を参照してください。

2) "#01".....ページ下の"注記"の説明を参照してください。

2.数量欄の数字は、個数を表し、0.1、2.5等の数値は、長さ（単位メートル）を表します。

3.数量欄の（ ）は、組部品を構成している子部品であることを意味します。

4.イラストページの-----枠は、組構成であることを意味します。

NUMERICAL INDEX OF PARTS

PART NO	PAGE	REF NO.	PART NO	PAGE	REF NO.	PART NO	PAGE	REF NO.
10163103	32	25	40096326	30	19	B1109481000	4	54
10163152	32	24	40096327	30	18	B1110481000A	2	39
10178705	8	11	40106576	30	10	B1111380000	2	44
11004207	10	48	40106579	30	11	B11113800A0	2	43
11024106	28	14	40106580	30	9	B1111481000	2	40
11072204	22	2	40106582	30	8	B1112380000	2	45
22814909	10	53	40106590	30	1	B1112481000A	2	41
22901409	6	21	40114236	2	1	B1115380000	4	60
22901805	4	76	40114880	12	8	B1118481000	2	14
22904155	16	36	40114881	14	50	B111848100A	4	70
22906101	6	20	40114882	12	33	B1119481000	2	15
22907109	8	8	40114884	12	16	B112155200A	4	69
22907406	8	14	40120458	12	19	B1122552000	2	2
22907505	8	9	40133993	16	33	B1130481000A	2	6
22907604	8	10	40133994	16	16	B11304810A0	2	5
22907703	8	13	40136256	12	38	B1131481000	2	7
22907802	10	63	40136257	12	30	B1132481000	2	8
22908909	10	62	B1103380B00	34	1	B1134481000	2	34
22912000	2	29	B1103380C00	34	2	B1135481000	2	35
22912109	2	30	B1103380D00	34	3	B1161481000A	32	2
22925101	26	2	B1103380E00	34	4	B11614810B0	32	1
22932453	28	11	B1103380F00	4	48	B1162481000	32	4
22934202	28	26	B1103380F00	34	5	B1166481000	32	5
22934251	28	20	B1103380H00	34	6	B1167481000	32	6
22934301	28	21	B1103380K00	34	7	B1168481000	32	7
22934400	28	25	B1103380L00	34	8	B1201481000A	6	22
22934509	28	23	B1103382000	4	49	B1202481000	6	33
22934608	28	24	B1103382000	34	9	B1203481B00	6	34
40040301	10	50	B1104380A00	4	59	B12064810A0	6	24
40082080	14	63	B1104380A00	36	16	B12064810B0	6	25
40082081	14	64	B1104380AA0	4	58	B12135520A0A	6	46
40085784	30	12	B1104380AA0	36	3	B1214038000	26	6
40085785	30	6	B1104380LA0	36	4	B1217490000	6	44
40085786	30	17	B1105380000	4	64	B121749000A	6	8
40085787	30	2	B1106122000	2	37	B1226552000	6	23
40085788	30	16	B1106380000	4	65	B1301481000A	8	46
40085789	30	15	B1107380000	4	62	B1302552B00	8	47
40085790	30	14	B1107481000	4	56	B13050120A0	8	41
40085791	30	13	B1108380B00	4	52	B13061550A0	8	45
40085792	30	7	B1108380B00	36	17	B13061550B0	8	40
40085793	30	5	B1108380BA0	4	51	B13084810A0	8	44
40085794	30	4	B1108380BA0	36	5	B13084810B0	8	43
40085795	30	3	B1108380HA0	36	6	B13084810C0	8	38
40085796	30	20	B1108380LA0	36	7	B1401380000	6	2
40096325	30	21	B1108481000	4	53	B1403380000	6	7

NUMERICAL INDEX OF PARTS

PART NO	PAGE	REF NO.	PART NO	PAGE	REF NO.	PART NO	PAGE	REF NO.
B1406019BA0	34	10	B16104300A0	18	38	B1903552000	6	32
B1406019CA0	34	11	B1613380B00	34	28	B1904481000	2	22
B1406019DA0	34	12	B1613380E00	34	29	B190448100A	4	71
B1406019EA0	34	13	B1613380F00	16	1	B1905380000	2	27
B1406019FA0	6	3	B1613380F00	34	30	B1905541B00	6	31
B1406019FA0	34	14	B1613380H00	34	31	B1908481000A	6	16
B1406038HA0	34	15	B1613380K00	34	32	B1909481000A	6	18
B1406038KA0	34	16	B1613380L00	34	33	B2001481000A	18	24
B1406038LA0	34	17	B1613382000	16	2	B2002481000	18	25
B1408481000	6	30	B1613382000	34	34	B20044810A0	18	30
B14114810A0	6	9	B1618161000	12	36	B20053800A0	18	21
B1414555000	6	11	B1619555000	12	34	B20054810AB	18	32
B1419380000	6	6	B1620481000	12	5	B20063800A0	18	8
B1501380000	8	7	B1621555000A	12	18	B20073800A0	18	5
B1509038BB0	34	19	B1622555000	12	6	B2007481000	18	23
B1509038CB0	34	20	B1623555000A	12	1	B2008481000	18	15
B1509038DB0	34	21	B1623555A00	12	28	B20104810A0	18	12
B1509038EB0	34	22	B1624380000	14	53	B2012481000	18	10
B1509038FB0	8	1	B162438000A	12	29	B2013481000A	18	1
B1509038FB0	34	23	B1626555000	12	9	B20144810A0	18	16
B1509038HB0	34	24	B1628555000	12	24	B2030380000	18	3
B1509038KB0	34	25	B1630555000	12	46	B2030380000	36	14
B1509038LBB	34	26	B1633555000	12	39	B2031380000	18	4
B1509555000	8	15	B1634555000B	12	3	B2031380000	36	15
B1511555000	8	16	B1636555000	12	26	B2032481000	18	20
B1515552000	8	17	B1636581B00	12	17	B2201481000A	22	44
B1516552000	8	20	B1646555000	12	25	B2202481000	22	46
B1517552000	8	21	B1660380000	14	59	B2203481000	24	49
B15185550A0	8	25	B1661481000	14	60	B2210481000	24	48
B1520552000A	8	28	B1662481000	14	61	B22104810A0	22	47
B1521555000	8	29	B1701481000	16	25	B2211481000	24	61
B1522552000	22	24	B1702155000	16	38	B2212481000	24	60
B1523226000	8	23	B17031550A0	16	40	B2213481000	24	59
B15243820B0	8	2	B1708481000	16	42	B2214481000	24	57
B15243820B0	34	27	B171248100B	16	43	B2215481000	24	62
B15283800A0	8	3	B1713380000A	16	29	B2216481000	24	56
B1529380000	8	4	B1715481000	16	7	B2217481000	24	54
B1601555000	16	15	B1802481000	10	58	B2218481000	24	51
B1602481000A	16	5	B1803481000	10	56	B2220481010	24	65
B16034860A0	16	9	B1803481000	18	27	B2225481000	24	66
B1604486000	16	6	B1813481000	10	60	B2226481000	10	61
B1606481000	12	43	B19013800A0	6	14	B23013800A0	18	34
B1607352000	10	51	B1901481000A	6	15	B2302481000	18	36
B1608481000	12	41	B19024810A0B	6	12	B23044810A0	18	40
B16103800A0	12	12	B1903481000	2	24	B2306019000	22	31

NUMERICAL INDEX OF PARTS

PART NO	PAGE	REF NO.	PART NO	PAGE	REF NO.	PART NO	PAGE	REF NO.
B23063800A0	18	42	B3420555000	28	10	CM500300001	32	15
B2307481000	18	44	B3421555000	28	18	CQ252000000	18	14
B23094810A0	20	48	B3425555000A	28	15	CQ303000000	16	35
B2311380B00	34	35	B3426552000	28	13	CQ303000000	18	43
B2311380E00	18	46	B3431581000	8	22	CS0640860SH	16	30
B2311380E00	34	36	B3501555000	26	22	CS111121ASH	10	54
B2311380H00	34	37	B35015550A0	26	18	CS111121ASH	18	28
B2311380L00	34	38	B3502555000A	26	28	CS1470712SH	16	17
B2311382000	18	47	B3503555000	26	19	CS147121ESH	6	36
B2311382000	34	39	B3505555000	26	20	D1204555D00	6	39
B2312380000	20	53	B3506555000	26	21	D1204555DA0	6	38
B2312380000	34	41	B3507555000	26	23	D1208555D00	6	43
B2312382000	20	55	B3508555000	26	24	D1230555B00	6	40
B2312382000	34	42	B3513481000A	26	17	D1231555B00	6	41
B2313380000A	20	51	B3521481000A	26	32	D1232555B00	6	42
B2315380000	20	54	B3526226000	26	34	D1406038BA0	6	5
B2315380000	34	40	B3527415000	26	10	D1406038BA0	34	18
B2657771000	26	11	B3528552000	26	1	D1910481C00	6	17
B3101380000	22	29	B3530555000	26	8	D3110481C00	22	23
B3101380AA0	22	28	B3534012000	2	18	D3111481CA0	2	16
B3101380BA0	22	1	B3534155000	26	5	D3130481CA0	22	18
B3102481000	22	30	B3545122000	26	14	D3133481C00	22	21
B3103481000	22	9	B3552481000	26	16	D3134481C00	22	20
B3104481000	22	32	B3553481000	26	13	D3136481CA0	22	15
B3106380000	22	8	B3554481000	26	15	D3536555B00	26	3
B3106481000	22	3	B41033520A0	16	27	D8227555E00	28	6
B3107704000	22	34	B8217481000	28	3	D8230555E00	32	13
B3115481000	22	25	B8217481AC0	28	2	D8231555E00	32	16
B3116481000	22	26	B8217481AD0	28	1	D8231555E0B	32	17
B3117481000	22	27	B8228125000	28	19	D8232555B00	32	19
B3119771000	22	37	B82303800A0	32	14	D8232555E00	32	20
B3120125000	22	36	B8231380000	32	23	D8232555E0A	32	21
B3120380000	22	41	B8235481000	28	4	EA9500B0000	26	33
B3121380000	22	12	B8237481000	28	5	MTV700B1400	6	1
B3122481000	2	20	B9126038BAB	36	8	NM60300000E	26	27
B3122481000	22	43	B9126038CAB	36	9	NM6040002SC	30	25
B3126012000	22	33	B9126038DAB	36	10	NM6050001SE	30	26
B3126352000	22	5	B9126038EAB	36	11	NM6060001SE	28	9
B3129012A00	22	35	B9126038FAB	36	12	NS6110310SP	22	58
B3135481000	22	14	B9126038HAB	36	13	NS6110310SP	24	58
B3412415000	8	30	B91351230B0	32	10	NS6120310SP	14	49
B3414415000A	8	33	BP300000000	26	35	NS6120310SP	16	10
B3415481000	8	36	BT0500300EA	18	19	NS6150430SP	14	62
B3416415000A	8	34	CM300200001	4	75	NS6620310SP	8	37
B3416552000	8	31	CM301200001	4	74	NS6680320SP	12	45

NUMERICAL INDEX OF PARTS

PART NO	PAGE	REF NO.	PART NO	PAGE	REF NO.	PART NO	PAGE	REF NO.
NS6680410SP	16	45	SS4111015SP	2	3	SS7151120SP	6	35
PS0200102KH	22	7	SS4111415SP	22	39	SS7620750SP	12	23
RC0150001KP	16	23	SS4112515SP	22	38	SS7681650TP	6	27
RE0500000K0	8	32	SS4150915SP	32	11	SS7701010SP	28	7
RE0600000K0	8	24	SS5060310SP	8	5	SS8090540SP	14	57
RE0600000K0	22	40	SS6060210SP	4	61	SS8110310SP	6	4
RO037180100	8	26	SS6060220SP	2	46	SS8110410TP	16	18
RO037180100	22	17	SS6060340SP	4	63	SS8110410TP	18	37
RO044240100	6	29	SS6080320SP	2	42	SS8110510SP	12	10
RO068190100	28	8	SS6080320SP	24	55	SS8110510SP	16	31
RO069180100	14	56	SS6080410SP	24	52	SS8150310SP	2	47
RO074240100	12	4	SS6090510TP	20	56	SS8150710SP	12	52
RO195240100	26	9	SS6090630SP	2	17	SS8150710SP	14	52
SD0500401SP	12	47	SS6090670TP	6	19	SS8150710SP	16	39
SD0600322SD	8	35	SS6090810SP	16	13	SS8150710SP	18	45
SD0630275SP	8	18	SS6091210TP	6	13	SS8150710TP	6	26
SD0630301SP	8	19	SS6092120SP	18	17	SS8150710TP	18	35
SD0640231SP	32	8	SS6110420TP	22	42	SS8151150SP	10	59
SD1020701SP	12	44	SS6110710TP	22	19	SS8151150SP	16	34
SD1020701SP	16	44	SS6120930SP	12	2	SS8151550SP	6	45
SE4301031SR	26	29	SS6121210SP	12	51	SS8620610SP	12	32
SK3482500SC	32	27	SS6121210SP	14	51	SS8660610TP	8	12
SM4031001SC	26	25	SS6121220TP	20	49	SS8660610TP	16	37
SM4041201SC	30	22	SS6121610SP	16	41	SS8660810TP	6	37
SM4042501SC	30	23	SS6121610TP	12	42	SS8660810TP	8	55
SM4051405SE	30	24	SS6121610TP	18	9	SS8660810TP	10	55
SM6062002TP	18	2	SS6121840SP	16	12	SS8660810TP	14	55
SM8063012TR	28	17	SS6122510SP	26	31	SS8660810TP	18	31
SM9061203SE	28	22	SS6123010SP	26	30	SS8661040TP	14	54
SM9061853SR	28	16	SS6621220SP	16	28	SS8681650TP	6	28
SQ1110401MZ	26	7	SS6660610TP	18	33	SS9151120CP	2	38
SS1080510SP	16	8	SS6661110SP	12	15	TA0750704R0	2	12
SS1110710SP	22	45	SS7081310SP	24	63	TA1050504R0	2	13
SS2090710TP	12	13	SS7090520TP	18	7	TA1050504R0	18	18
SS2110920TP	4	50	SS7090910TP	18	50	TA1050504R0	32	3
SS2110930SP	12	14	SS7090910TP	20	50	TA1250406R0	2	4
SS4080415SP	4	66	SS7091110TP	8	6	TA1250705R0	2	11
SS4110515SP	2	67	SS7110510SP	2	36	TA1750502R0	4	68
SS4110515SP	4	67	SS7110710SP	12	11	TA2050406R0	4	72
SS4110515SP	24	64	SS7110710SP	20	52	TA2101002R0	2	31
SS4110515SP	32	22	SS7110910SP	12	22	TA2351004R0	2	33
SS4110715SP	22	22	SS7111120SP	12	35	TA2351305R0	2	32
SS4110715SP	26	12	SS7111260SP	12	40	WP0371026SD	24	53
SS4110815SP	2	19	SS7111310TP	18	41	WP0480856SP	2	26
SS4110815SP	32	18	SS7111410TP	16	3	WP0480856SP	16	11

NUMERICAL INDEX OF PARTS

PART NO	PAGE	REF NO.
WP0501016SC	32	26
WP0531001SC	30	28
WP0621016SD	12	31
WP0621016SD	32	12
WP0740516SP	8	27
WP1612616SE	30	27
WS0510002KN	30	29
WT0320002KZ	26	26
WZ0541510KP	14	48
WZ0641510KP	32	9
WZ1052010KP	14	58