

MODEL : LG-158/LG-158-1

List No : 0015-10

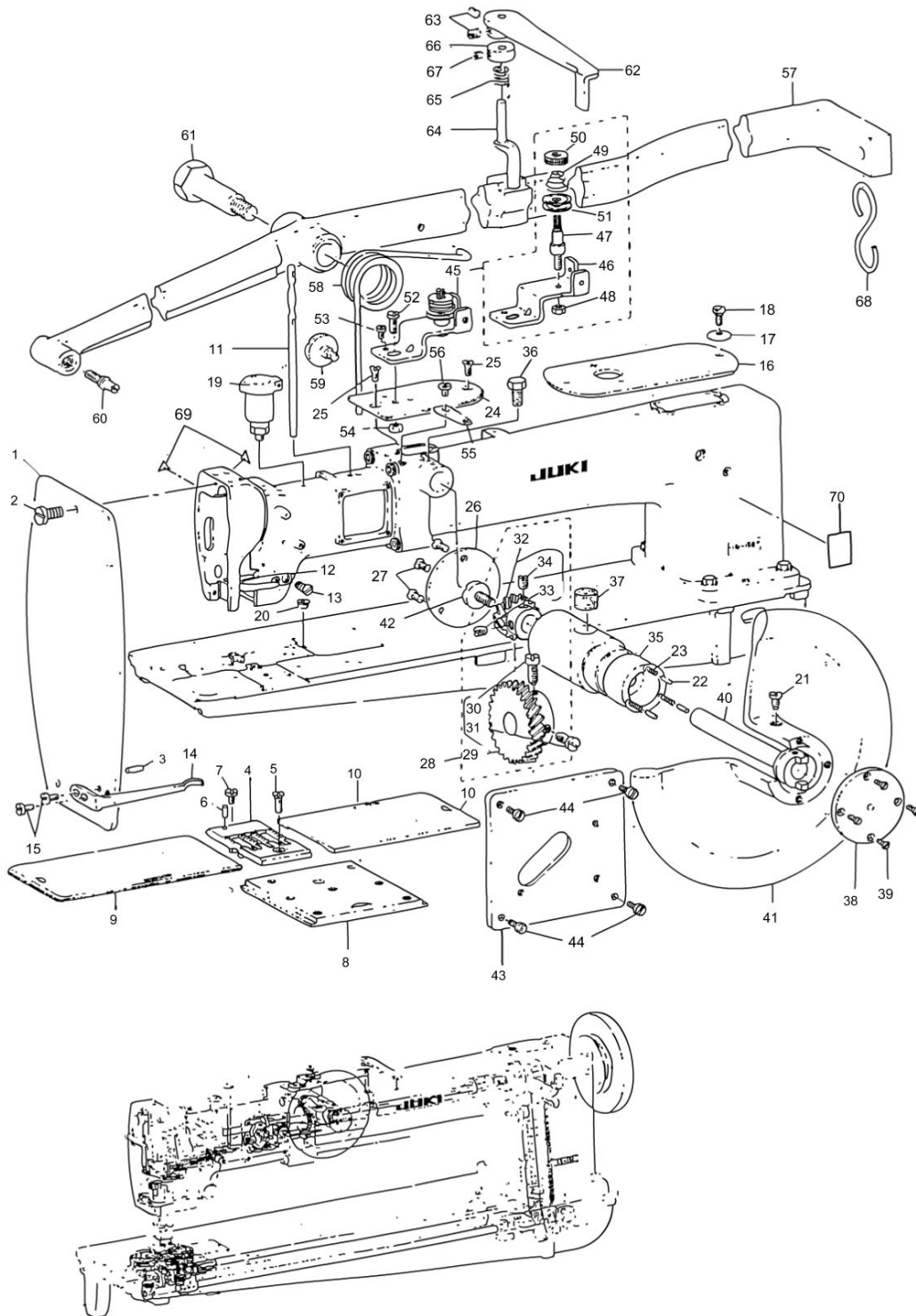
PARTS LIST

Published:09/10/2017

CONTENTS

MACHINE FRAME & MISCELLANEOUS COVER COMPONENTS	1
MAIN SHAFT & SAFETY CLUTCH COMPONENTS	5
NEEDLE BAR FRAME & PRESSER BAR COMPONENTS	9
FEED ROCK SHAFT COMPONENTS	13
SEWING HOOK DRIVING SHAFT COMPONENTS	17
THREAD TENSION & THREAD WINDER COMPONENTS	21
EXCLUSIVE PARTS FOR LG-158-1	25
EXCHANGING GAUGE PARTS (1).....	27
EXCHANGING GAUGE PARTS (2).....	29
EXCHANGING GAUGE PARTS (3).....	31
EXCHANGING GAUGE PARTS (4).....	33
LIST FOR INFORMATION OF CHANGE (1).....	35
LIST FOR INFORMATION OF CHANGE (2).....	36
HOW TO MAKE USE OF THIS PARTS LIST	37

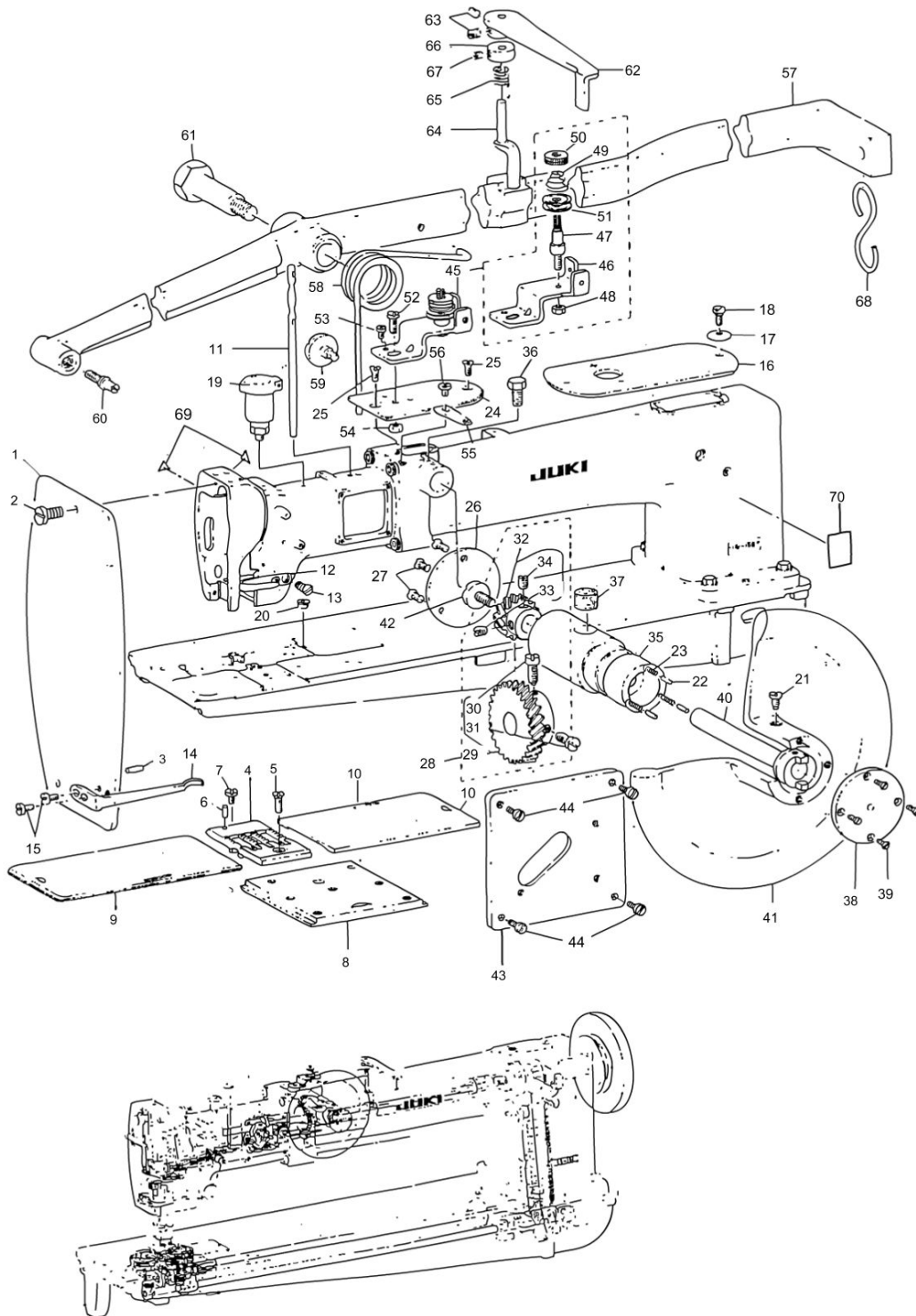
MACHINE FRAME & MISCELLANEOUS COVER COMPONENTS



MACHINE FRAME & MISCELLANEOUS COVER COMPONENTS

No.	Parts No.	Parts name	Remarks	Level	Cons	Qty
1	B3101158000	FACE PLATE				1
2	SS7090710SP	SCREW 9/64-40 L= 6.8				1
3	B1103051000	FACE PLATE PIN				1
4	B1109057N00	THROAT PLATE (3/4)	FOR LG-158 STANDARD GAUGE(3/4")			1
5	SS2111010TP	SCREW 11/64-40 L=9.5				1
6	B1104051000	THROAT PLATE PIN				1
7	SS6090630SP	SCREW 9/64-40 L=6				1
8	B11100570A0	BED SLIDE ASM.				1
9	B1112057N00	BED SLIDE LEFT 3/4	FOR LG-158 STANDARD GAUGE(3/4")			1
10	B1113057N00	BED SLIDE RIGHT 3/4	FOR LG-158 STANDARD GAUGE(3/4")			1
11	B1114517000	NEEDLE THREAD GUIDE PIN				1
12	B1131057000	FRAME THREAD GUIDE, LOWER				1
13	SS3090610SP	SCREW 9/64-40 L=6				1
14	B1131158000	NEEDLE THREAD GUIDE (LOWER)				1
15	SS7090540TP	SCREW 9/64-40 L=5				2
16	B1150158000	TOP COVER				1
17	B1152051000	WASHER				1
18	SD0630241SD	HINGE SCREW D= 6.30 H= 2.4				1
19	B1155053000	OIL CUP				1
20	B1156115000	RUBBER PLUG				1
21	SS7110610SM	SCREW 11/64-40 L=6				1
22	B1290057A00	PIN				3
23	B1290057B00	SPRING				3
24	B129115800A	TOP COVER INTERMEDIATE				1
25	SS2110920TP	SCREW 11/64-40 L=8.5				2
26	B129205700A	SIDE COVER				1
27	SS2110920TP	SCREW 11/64-40 L=8.5				3
28	B12930570B0	GEAR ASM.				1
29	B1293057AA0	GEAR ASM., LARGE		*		1
30	SS6661310SP	SCREW 1/4-40 L=13		*		1
31	SS6661110SP	SCREW 1/4-40 L=11		*		1
32	B12940570A0	GEAR ASM., SMALL		*		1
33	SS8660670SP	SCREW 1/4-40 L= 6.1		*		1
34	SS8660610TP	SCREW 1/4-40 L=6		*		1
35	B1295057000	AUXILIARY HAND WHEEL SHAFT BUS				1
36	SS9151440CP	SCREW 15/64-28 L=14				1
37	B1203051000	OIL FELT				1
38	B129605700A	THRUST PLATE				1
39	SS2090710TP	SCREW 9/64-40 L=7.2				4
40	B12970570A0	DRIVING SHAFT ASM.				1
41	B129905700A	AUXILIARY HAND WHEEL				1
42	SS7161040SP	SCREW 1/4-24 L= 9.5				1
43	B1434158000	SIDE PLATE				1
44	SS7111120SP	SCREW 11/64-40 L=10.5				4
45	B32081580A0	THREAD WINDER TENSION BRACKET				1
46	B3208158000	THREAD WINDER TENSION BRACKET		*		1
47	B3219232000	BOBBIN WINDER TENSION POST		*		1

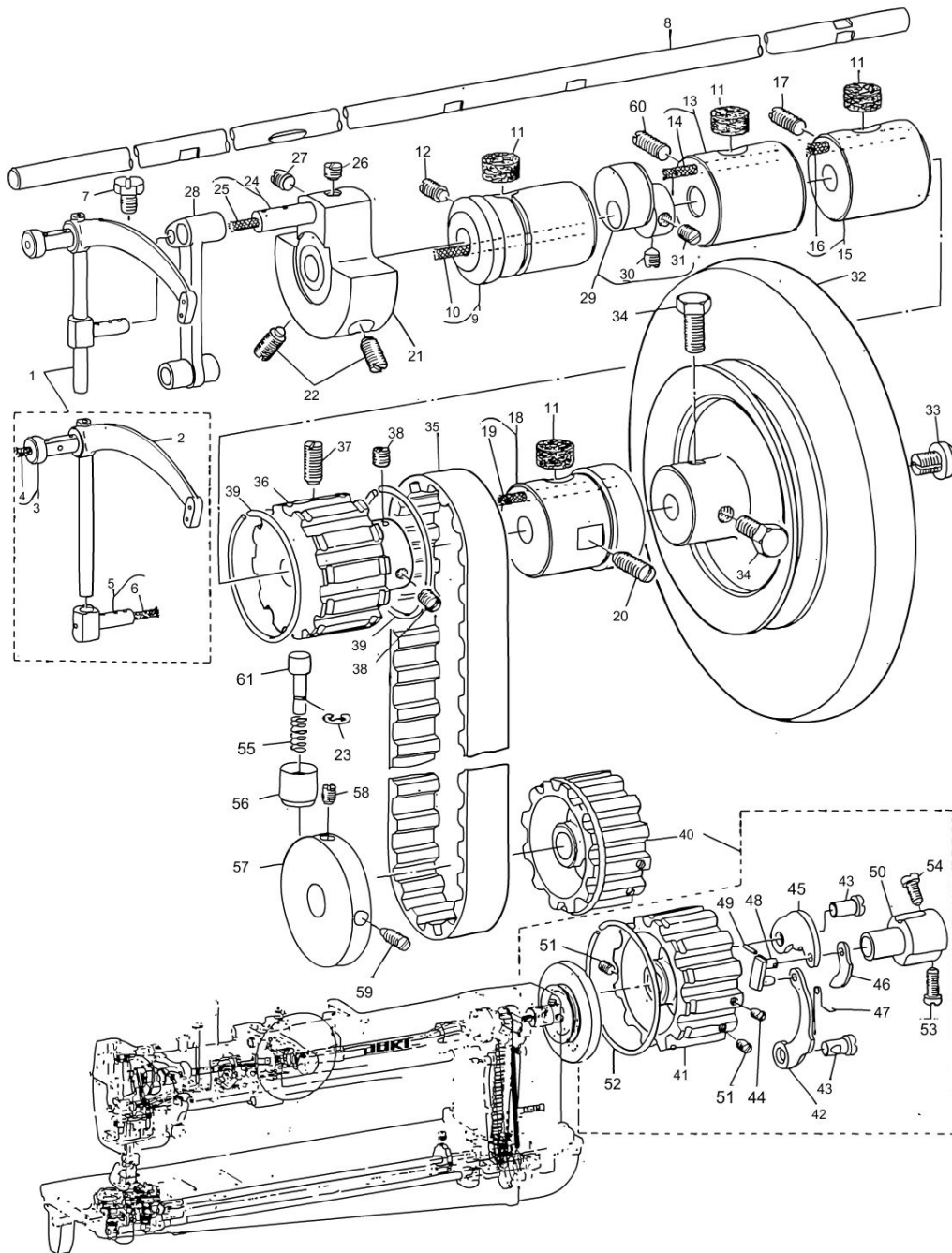
MACHINE FRAME & MISCELLANEOUS COVER COMPONENTS



MACHINE FRAME & MISCELLANEOUS COVER COMPONENTS

No.	Parts No.	Parts name	Remarks	Level	Cons	Qty
48	NS6110310SP	NUT 11/64-40		*		1
49	B3218232000	BOBBIN WINDER TENSION SPRING		*		1
50	B3216047000	BOBBIN WINDER TENSION NUT		*		1
51	B3214047000	BOBBIN WINDER TENSION DISC		*		2
52	SS7110910SP	SCREW 11/64-40 L=8.5				1
53	SS6080710SP	SCREW 1/8-44 L= 6.5				1
54	NS6110310SP	NUT 11/64-40				1
55	B2510158000	THREAD WINDER THREAD GUIDE				1
56	SS7090710SP	SCREW 9/64-40 L= 6.8				1
57	B3401057000	KNEE LIFTER FRONT LEVER				1
58	B3403057000	SPRING				1
59	SD0800431SP	HINGE SCREW D= 8 H= 4.3				1
60	B3404057000	PIN				1
61	SD1404251CP	HINGE SCREW D=14 H=42.5				1
62	B3405057000	FRONT LEVER LATCH HANDLE				1
63	SS8110750SP	SCREW 11/64-40 L= 6.5				2
64	B3406057000	KNEE LIFTER FRONT LEVER LATCH				1
65	B3408057000	KNEELIFTER FRONT LEVER LATCH S				1
66	CS0640866SB	THRUST COLLAR D=6.35 W=8				1
67	SS8110510SP	SCREW 11/64-40 L=5				1
68	B3409057000	S-SHAPED HOOK A				1
69	CM300200003	ATTENTION LABEL	FOR USE IN JAPAN,JE			2
70	CM301200002	SAFETY LABEL_L				1

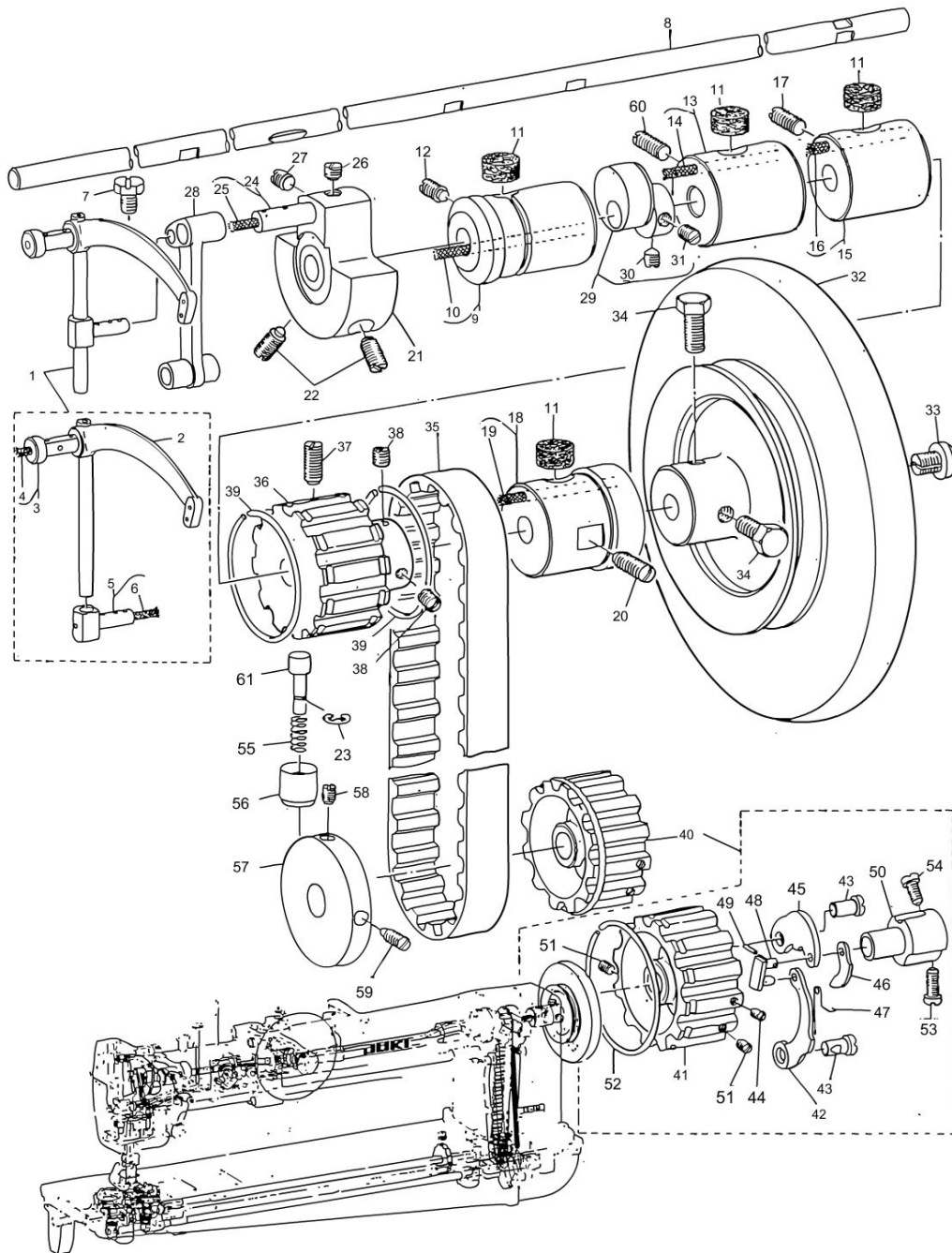
MAIN SHAFT & SAFETY CLUTCH COMPONENTS



MAIN SHAFT & SAFETY CLUTCH COMPONENTS

No.	Parts No.	Parts name	Remarks	Level	Cons	Qty
1	B19050570B0	THREAD TAKE-UP LEVER ASM.				1
2	B1905057000	THREAD TAKE-UP LEVER		*		1
3	B19060510A0	TAKE-UP LEVER PIN ASM.		*		1
4	CQ303000000	OIL WICK		*		0.08
5	B19070570A0	TAKE-UP LEVER CONNECTION ASM.		*		1
6	CQ303000000	OIL WICK		*		0.02
7	SS9151440CP	SCREW 15/64-28 L=14				1
8	40021423	MAIN SHAFT				1
9	B12020510A0	MAIN SHAFT BUSHING, FRONT ASM.				1
10	CQ252000000	OIL WICK		*		0.1
11	B1203051000	OIL FELT				4
12	SS8151550SP	SCREW 15/64-28 L=15				1
13	B1203158AA0	BUSHING ASM., INTERMEDIATE				1
14	CQ303000000	OIL WICK		*		0.1
15	B1203158BA0	BUSHING ASM., INTERMEDIATE				1
16	CQ303000000	OIL WICK		*		0.1
17	SS8152030SP	SCREW 15/64-28 L=20				2
18	B12160570A0	BUSHING ASM., REAR				1
19	CQ303000000	OIL WICK		*		0.1
20	SS8152030SP	SCREW 15/64-28 L=20				1
21	40021422	COUNTER WEIGHT				1
22	SS8701042TP	SCREW 5/16-24 L=10.0				2
23	RE0500000K0	E-RING				1
24	B12100510A0	NEEDLE BAR CRANK PIN ASM.				1
25	B1204051000	OIL WICK		*		0.1
26	SS8660810TP	SCREW 1/4-40 L=8				1
27	SS8660530TP	SCREW 1/4-40 L= 4.5				1
28	B1408057000	NEEDLE BAR CRANK ROD				1
29	B14500570A0	UPPER FEED ECCENTRIC ASM.				1
30	SS8660670SP	SCREW 1/4-40 L= 6.1		*		1
31	SS8660610TP	SCREW 1/4-40 L=6		*		1
32	B122715800A	HAND WHEEL				1
33	B1233012000	END SCREW				1
34	SS9201813CP	SCREW 5/16-18 L=18				2
35	B1301158000	TIMING BELT				1
36	B1302158000	SPROCKET				1
37	SS8681650TP	SCREW 9/32-28 L=16				1
38	SM8080812TP	SCREW M8X8				2
39	B1214019000	SPROCKET RING				2
40	B13031580A0	SPROKET WHEEL LOWER ASM				1
41	B1303158000	SPROCKET WHEEL, LOWER		*		1
42	B1305055000A	SAFETY CLUTCH SPRING		*		1
43	B1315158000	PIN		*		2
44	SS8090540SP	SCREW 9/64-40 L=5		*		1
45	B1307055000	SAFETY CLUTCH HOOK		*		1
46	B1308055000	SAFETY CLUTCH COUNTER-HOOK		*		1
47	B1309055000	COUNTER-HOOK SPRING		*		1

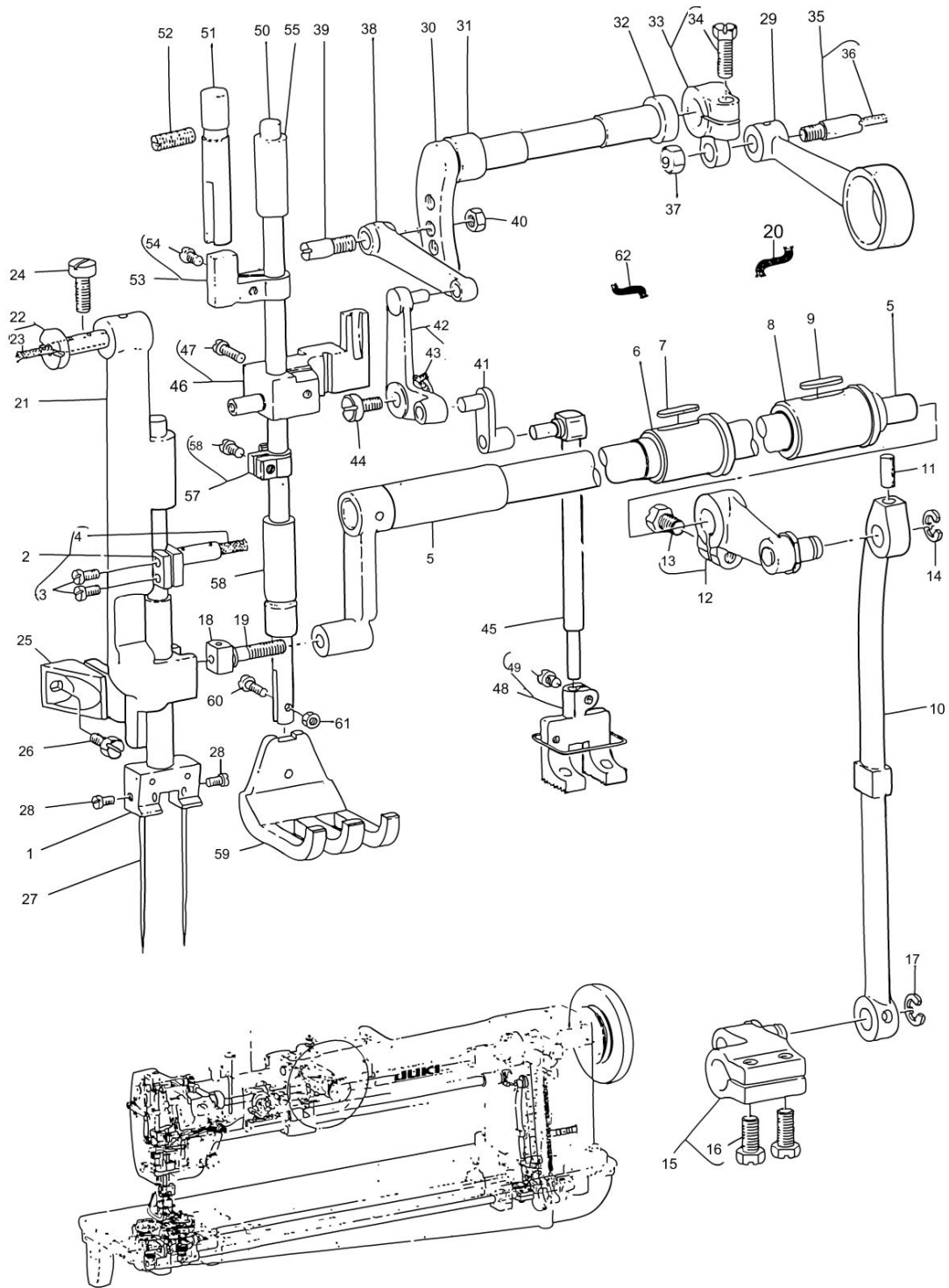
MAIN SHAFT & SAFETY CLUTCH COMPONENTS



MAIN SHAFT & SAFETY CLUTCH COMPONENTS

No.	Parts No.	Parts name	Remarks	Level	Cons	Qty
48	B1310055000	SAFETY CLUTCH SMALL LINK		*		1
49	B1314055000	SAFETY CLUTCH SMALL LINK PIN		*		1
50	B1311055000	SAFETY CLUTCH BODY		*		1
51	SS8620610TP	SCREW 3/16-32 L=6		*		2
52	B1214019000	SPROCKET RING		*		1
53	SS9660910SP	SCREW 1/4-40 L=9.4		*		1
54	SS9660810SP	SCREW 1/4-40 L=7.9		*		1
55	B1307057000	SPRING				1
56	B1308057000	SAFETY CLUTCH KNOB SLEEVE				1
57	B1314158000A	SAFETY CLUTCH DISK				1
58	SS8151780SP	SCREW 15/64-28 L=17.0				1
59	SS8151550SP	SCREW 15/64-28 L=15				1
60	SS8151230SP	SCREW 15/64-28 L=12				1
61	B1306158000A	SAFETY CLUTCH PUSH BUTTON				1

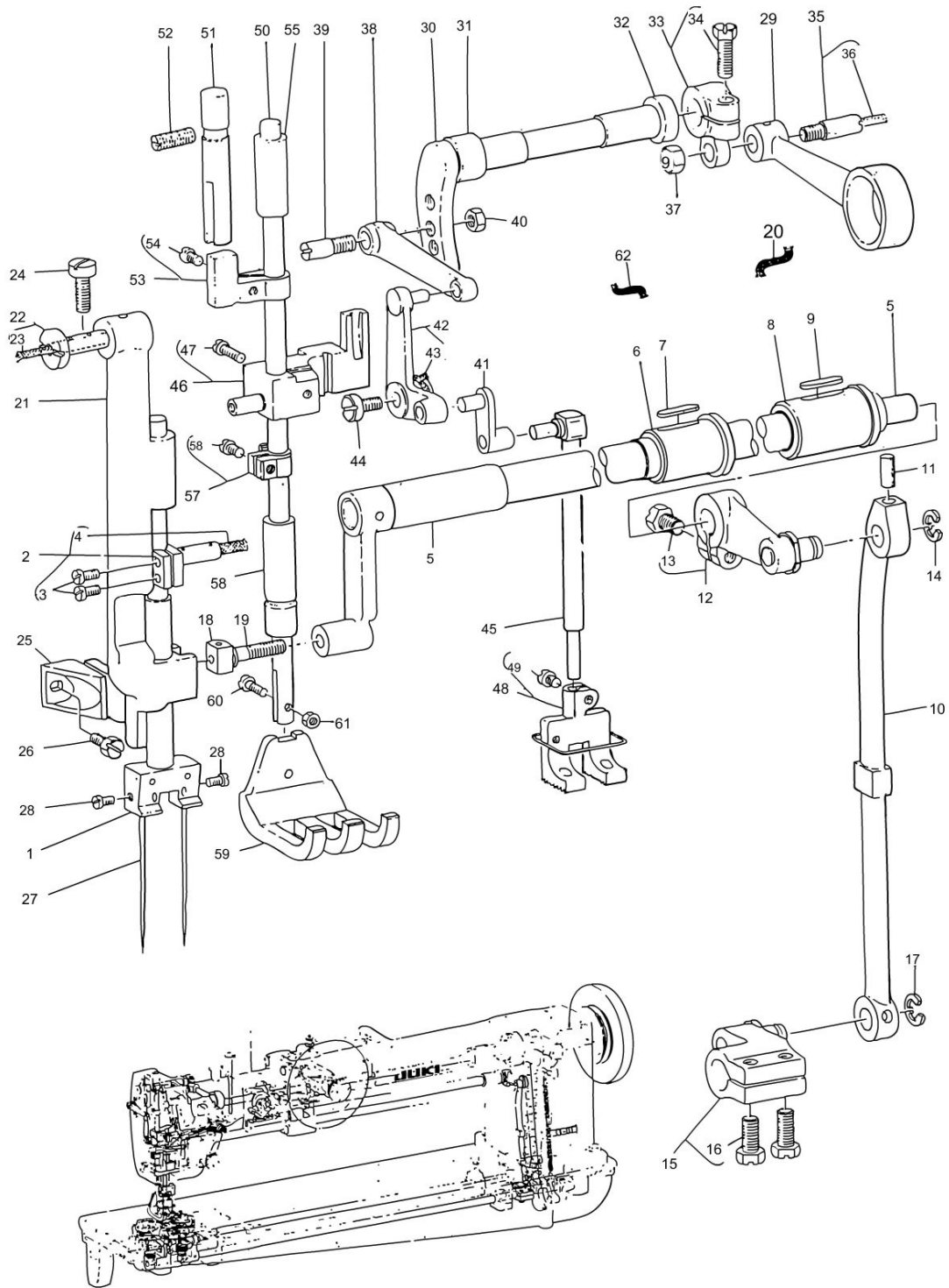
NEEDLE BAR FRAME & PRESSER BAR COMPONENTS



NEEDLE BAR FRAME & PRESSER BAR COMPONENTS

No.	Parts No.	Parts name	Remarks	Level	Cons	Qty
1	B1401057N0B	NEEDLE BAR 3/4	FOR LG-158 STANDARD GAUGE(3/4")			1
2	B14110570A0	NEEDLE BAR CLAMP ASM.				1
3	SS7110720SP	SCREW 11/64-40 L=7		*		2
4	B1204051000	OIL WICK		*		0.1
5	B14201580A0	NEEDLE BAR FRAME ASM.				1
6	B1429158000	FRAME ROCK SHAFT BUSHING				1
7	B1304012A00	OIL FELT				1
8	B1430158000	FRAME ROCK SHAFT BUSHING, REAR				1
9	B1304012A00	OIL FELT				1
10	B1422158000	NEEDLE BAR FRAME DRIVING ROD				1
11	B1412051000	FELT				1
12	B14311580A0	ROCK SHAFT REAR CRANK ASM.				1
13	SS9151440CP	SCREW 15/64-28 L=14		*		1
14	RE0700000K0	SNAP RING 7				1
15	B14231580A0	DRIVING ROD CRANK ASM.				1
16	SS9151440CP	SCREW 15/64-28 L=14		*		2
17	RE0700000K0	SNAP RING 7				1
18	B1425051000	NEEDLE BAR FRAME SLIDE BLOCK				1
19	B1426051000	NEEDLE BAR FRAME SLIDE BLOCK S				1
20	B1432158000	METAL FELT				0.07
21	B1426057000	NEEDLE BAR FRAME				1
22	B14270570A0	NEEDLE BAR FRAME SHAFT				1
23	CQ303000000	OIL WICK		*		0.04
24	SS7151610SP	SCREW 15/64-28 L=16				1
25	B1428057000	NEEDLE BAR FRAME GUIDE				1
26	SS9111010SP	SCREW 11/64-40 L=9.5				1
27	MDD100B2500	NEEDLE DDX1 #25				2
28	SS7620610SP	SCREW 3/16-32 L=6.0				2
29	B1451057000	ROD				1
30	B1452057000	SHAFT				1
31	B1453057000	SHAFT BUSHING				1
32	B1457057000	TOP FEED SHAFT REAR BUSHING				1
33	B14540570A0	WALKING BAR ROCK SHAFT CRANK A				1
34	SS9661610CP	SCREW 1/4-40 L=16		*		1
35	B14540530AB	SCREW STUD ASM.				1
36	CQ303000000	OIL WICK		*		0.02
37	NS6660430SP	NUT 1/4-40				1
38	B1458057000	ROCK SHAFT CONNECTING LINK				1
39	B1456057000	HINGE SCREW				1
40	NS6150430SP	NUT 15/64-28				1
41	B1455057000	DRIVING LINK				1
42	B14590570A0	L-TYPE LINK ASM.				1
43	CQ202000000	OIL WICK		*		0.2
44	SS6111140SP	SCREW 11/64-40 L=11				1
45	B1466158000	WALKING BAR				1
46	B14600570A0	PRESSER BAR LIFTING BRACKET AS				1
47	SS7111710SH	SCREW 11/64-40 L=17		*		1

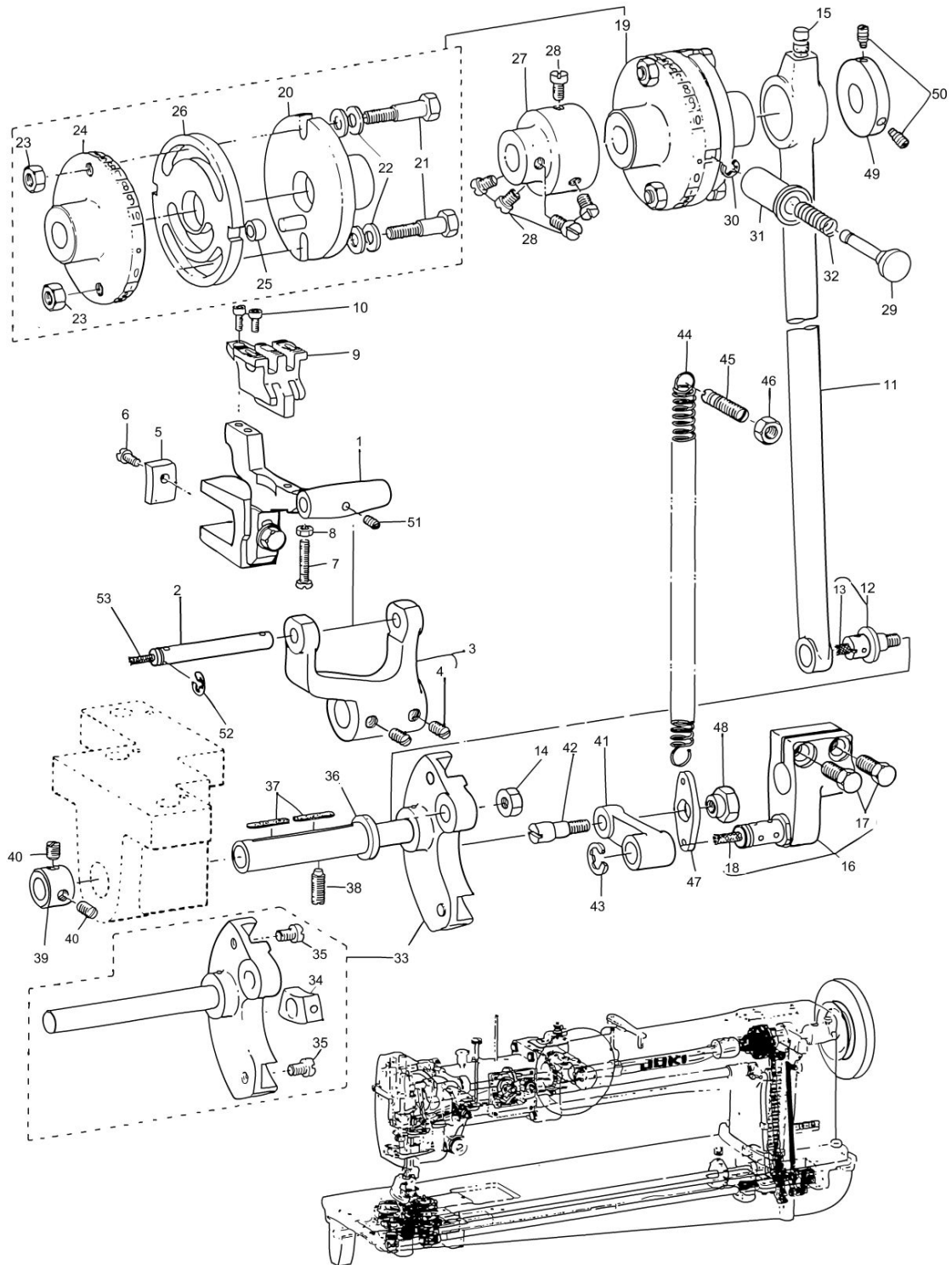
NEEDLE BAR FRAME & PRESSER BAR COMPONENTS



NEEDLE BAR FRAME & PRESSER BAR COMPONENTS

No.	Parts No.	Parts name	Remarks	Level	Cons	Qty
48	B1470158NB0	WALKING FOOT ASM. 3/4	FOR LG-158 STANDARD GAUGE(3/4")			1
49	SS7090910TP	SCREW 9/64-40 L= 8.5		*		1
50	B1501057000	PRESSER BAR				1
51	B1502051000	PRESSER BAR GUIDE SLEEVE				1
52	SS8152030SP	SCREW 15/64-28 L=20				1
53	B15040570A0	PRESSER BAR GUIDE BRACKET ASM.				1
54	SS7090910SP	SCREW 9/64-40 L= 8.5		*		1
55	B1503051A00	PRESSER BAR BUSHING, UPPER				1
56	B1503057000	PRESSER BAR BUSHING, LOWER				1
57	B15075620A0	PRESSER BAR GUIDE BRACKET ASM.				1
58	SS6091210TP	SCREW 9/64-40 L=12		*		1
59	B1525057N00	PRESSER FOOT (3/4")	FOR LG-158 STANDARD GAUGE(3/4")			1
60	SS6091210TP	SCREW 9/64-40 L=12				1
61	NS6090310SP	NUT 9/64-40				1
62	B1432158000	METAL FELT				0.06

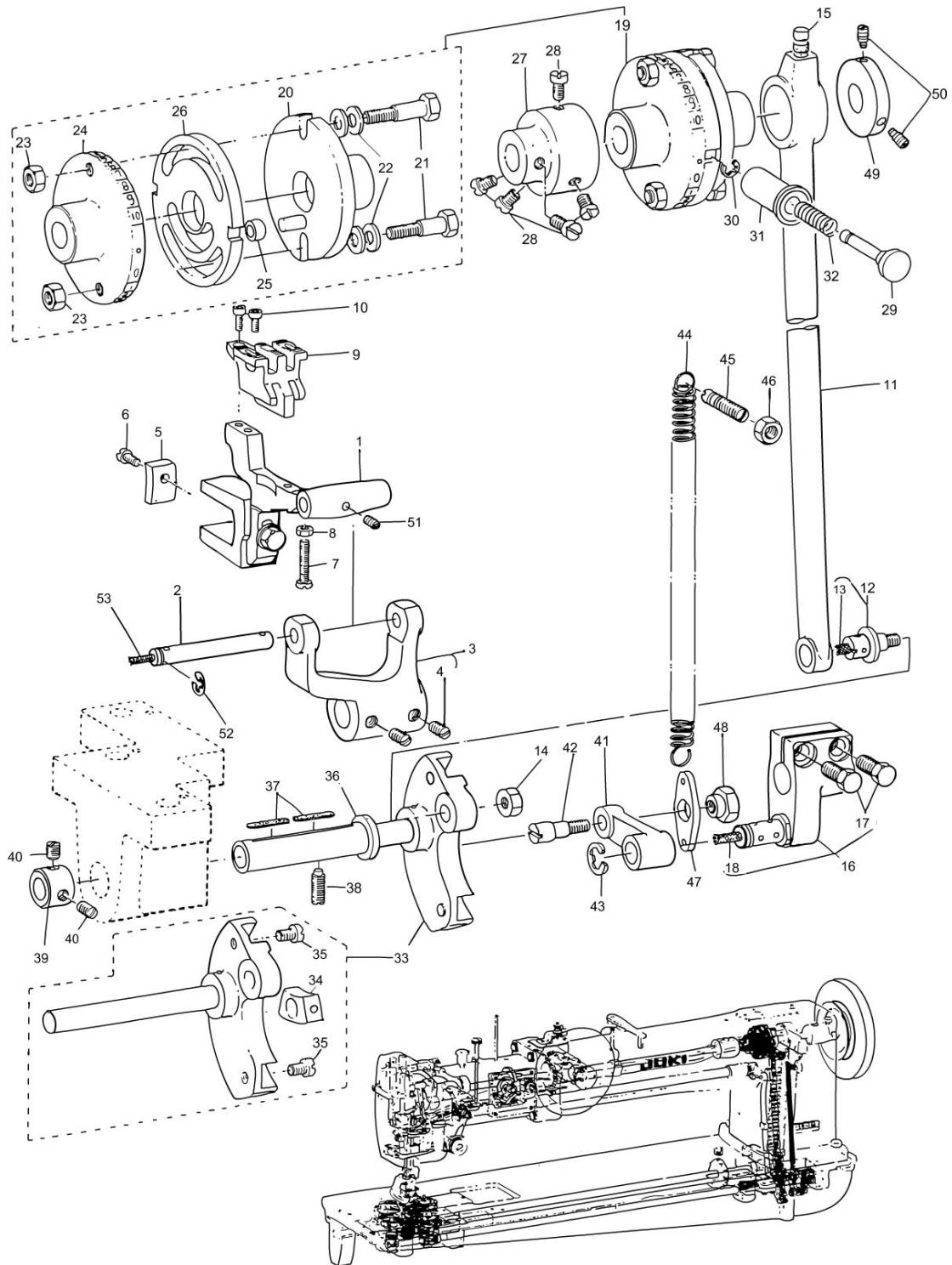
FEED ROCK SHAFT COMPONENTS



FEED ROCK SHAFT COMPONENTS

No.	Parts No.	Parts name	Remarks	Level	Cons	Qty
1	B16021580A0	FEED BASE ASM.	EXCLUSIVE PART FOR LG-158			1
2	B1603158000	FEED BASE SHAFT				1
3	B16161580A0	FEED BASE CRANK ASM.				1
4	SS8661040TP	SCREW 1/4-40 L=10		*		2
5	B1605051000	OIL SUPPLY FELT				1
6	SS5080710SP	SCREW 1/8-44 L= 6.5				1
7	SS6081810SP	SCREW 1/8-44 L=18.0				1
8	NS6080210SP	NUT 1/8-44				1
9	B1613057N00	FEED DOG (3/4")	FOR LG-158 STANDARD GAUGE(3/4")			1
10	SS6580612TP	SCREW 1/8-40 L=6.3				2
11	B1614158000	CRANK CONNECTING ROD				1
12	B16151580A0	SCREW STUD ASM.				1
13	CQ505000000	OIL WICK		*		0.01
14	NS6150430SP	NUT 15/64-28				1
15	B1226552000	ROLLER FELT				2
16	B16181580A0	CROSSWISE FEED ARM.				1
17	SS9151440CP	SCREW 15/64-28 L=14		*		2
18	CQ505000000	OIL WICK		*		0.02
19	B16201580B0	FEED ECCENTRIC ASM.				1
20	B16201580A0	FEED ECCENTRIC ASM.		*		1
21	SD0701301SP	HINGE SCREW D= 7 H=13		*		2
22	B1629158000	WASHER		*		4
23	NS6150430SP	NUT 15/64-28		*		2
24	B16211580A0	STITCH GRADUATOR SCALE		*		1
25	B1622158000	FEED ECCENTRIC GUIDE ROLLER		*		1
26	B1626158000	FEED ECCENTRIC GUIDE		*		1
27	B1625158000	FEED ECCENTRIC RET COLLAR				1
28	SS6661110SP	SCREW 1/4-40 L=11				5
29	B1636158000	PUSH BUTTON				1
30	RE0400000K0	E-SHAPED SNAP RING (4MM)				1
31	B1637158000	PUSH BUTTON BUSHING				1
32	B1639158000	PUSH BUTTON SPRING				1
33	B16411580A0	REVERSE FEED LINK GUIDE ASM.				1
34	B1645158000	REVERSE FEED LINK SLIDE # BLOC		*		1
35	SS7120410TP	SCREW 3/16-28 L=4.2		*		2
36	B1640158000	REVERSE FEED LINK GUIDE BUSHIN				1
37	B1304012A00	OIL FELT				2
38	SS8151550SP	SCREW 15/64-28 L=15				1
39	CS0951111SH	THRUST COLLAR D=9.5 W=3				1
40	SS8150510TP	SCREW 15/64-28 L= 4.7				2
41	B1644158000	REVERSE FEED LINK				1
42	B1646158000	REVERSE FEED LINK SCREW STUD				1
43	RE0700000K0	SNAP RING 7				1
44	B1650158000	SPRING				1
45	B1651158000	SPRING SUSPENSION				1
46	NS6680410SN	NUT 9/32-28				1
47	B1647158000	SUSPENSION				1

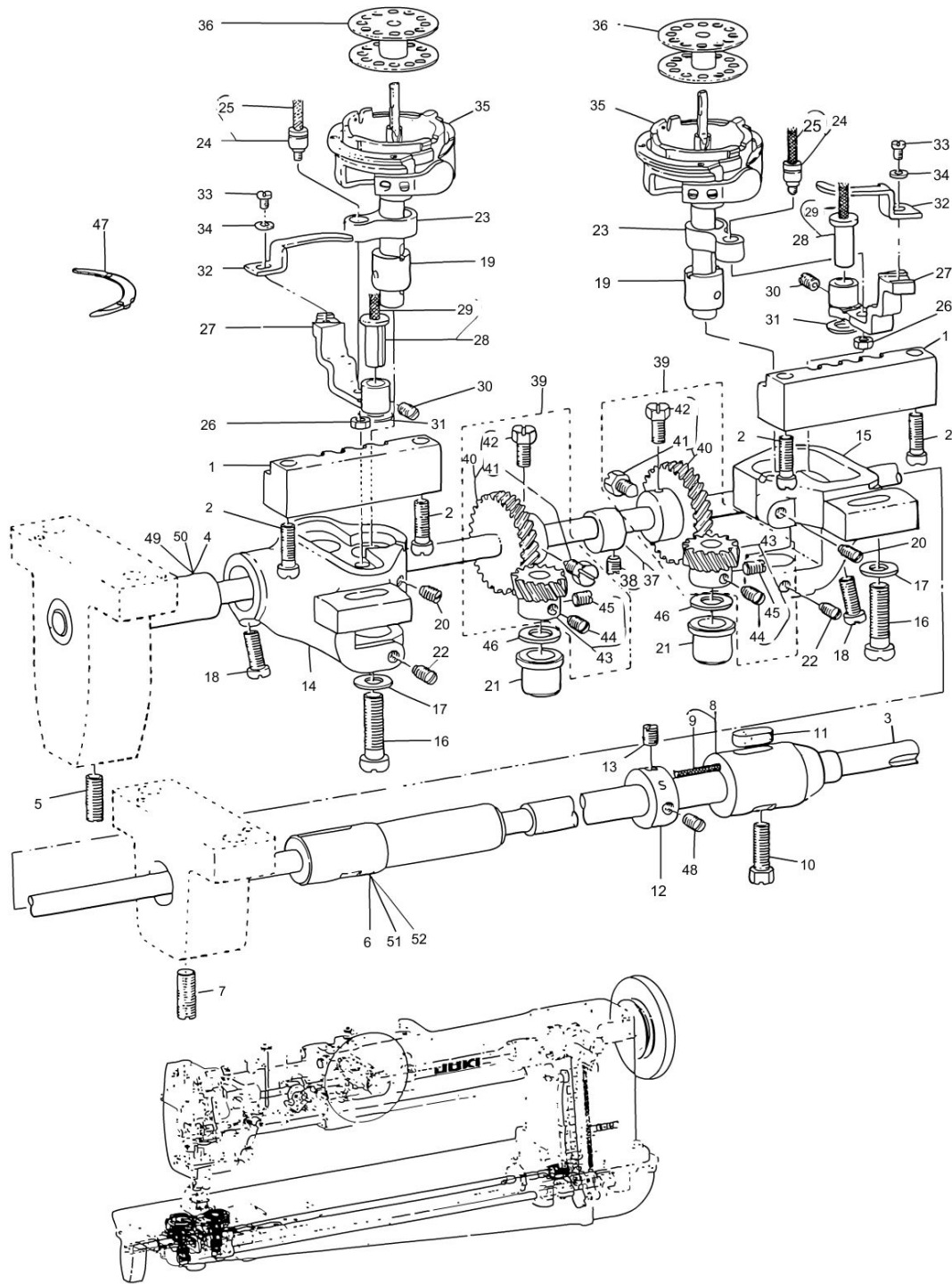
FEED ROCK SHAFT COMPONENTS



FEED ROCK SHAFT COMPONENTS

No.	Parts No.	Parts name	Remarks	Level	Cons	Qty
48	B1648158000	SUSPENSION NUT				1
49	B1612158000	THRUST HOLDER				1
50	SS8111251SP	SCREW 11/64-40 L=12.0				2
51	SS8110510SP	SCREW 11/64-40 L=5				1
52	RE0500711KP	SNAP RING 5				1
53	CQ202000000	OIL WICK				0.14

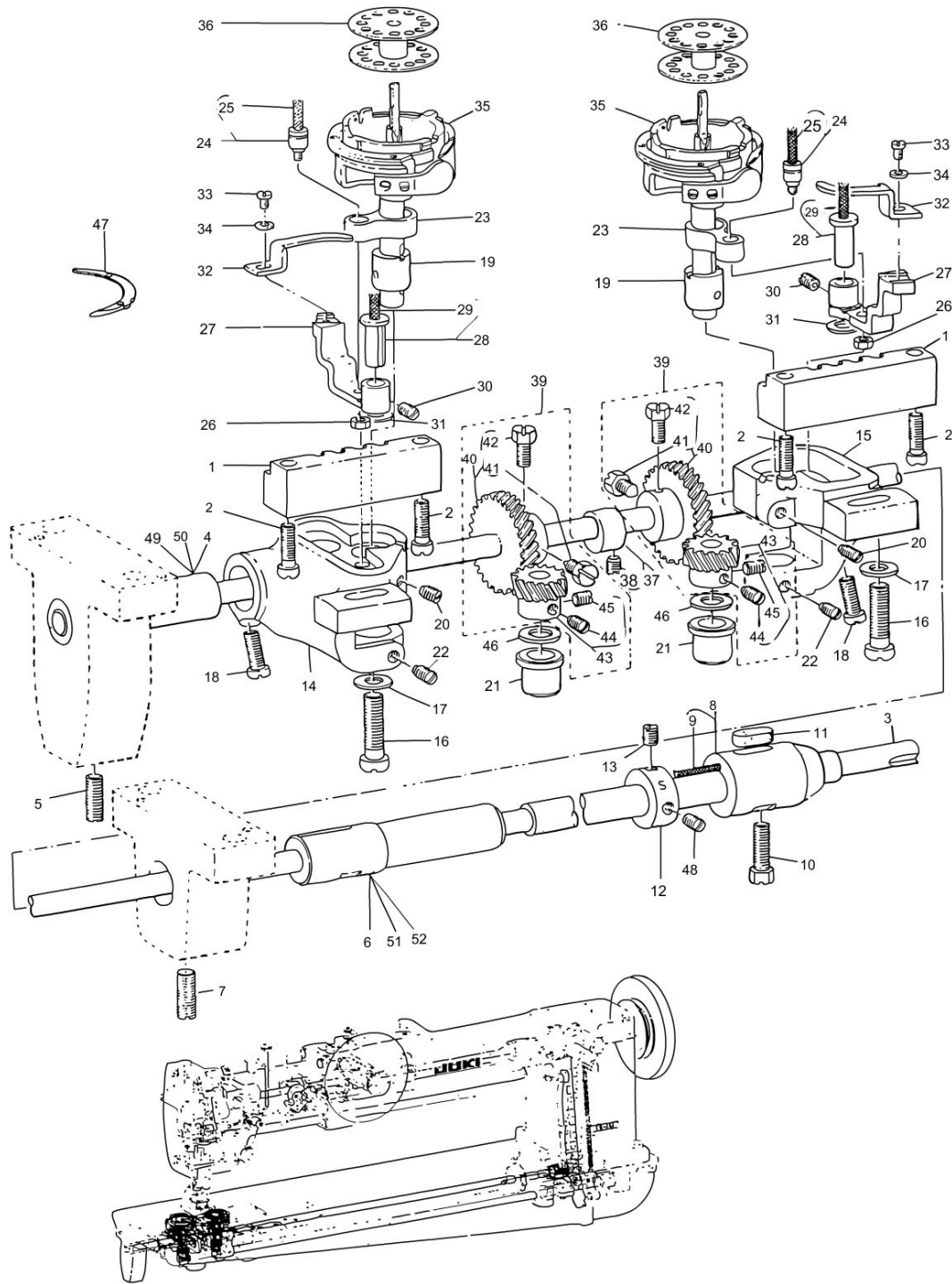
SEWING HOOK DRIVING SHAFT COMPONENTS



SEWING HOOK DRIVING SHAFT COMPONENTS

No.	Parts No.	Parts name	Remarks	Level	Cons	Qty
1	B1800057000	HOOK SHAFT SADDLE HOLDER				2
2	SS6151920SP	SCREW 15/64-28 L=19.0				4
3	B1801158000	HOOK DRIVING SHAFT				1
4	B1802057000	HOOK DRIVING SHAFT BUSHING, FR	FOR GAUGE SIZE(1/4"-1")			1
5	SS8152030SP	SCREW 15/64-28 L=20				1
6	B1804057B00	BUSHING (2), INTERMEDIATE	FOR GAUGE SIZE(1/4"-1")			1
7	SS8152030SP	SCREW 15/64-28 L=20				1
8	B18081580A0	BUSHING ASM., REAR				1
9	CQ303000000	OIL WICK		*		0.05
10	SS9152130CP	SCREW 15/64-28 L=20.5				1
11	B1218012000	REAR BUSHING OIL FELT				1
12	CS1401011SM	THRUST COLLAR D=14.0 W=10				1
13	SS8150710SP	SCREW 15/64-28 L=7				1
14	B1810051000	HOOK SHAFT SADDLE, LEFT				1
15	B1811051000	HOOK SHAFT SADDLE, RIGHT				1
16	SS7762840SP	SCREW 1/4-28 L=28.0				2
17	WP0753016SZ	WASHER 7.5X16.0X3.0				2
18	SS6153040SP	SCREW 15/64-28 L=30				2
19	B1814158000	HOOK SHAFT UPPER BUSHING				2
20	SS8150710SP	SCREW 15/64-28 L=7				2
21	B1815051000	HOOK DRIVING SHAFT BUSHING, LO				2
22	SS8150710SP	SCREW 15/64-28 L=7				2
23	B1820057000	BOBBIN CASE OPENING LEVER LINK				2
24	B18210510A0	SCREW STUD ASM.				2
25	CQ252000000	OIL WICK		*		0.02
26	NS6110420SP	NUT 11/64-40				2
27	B1822057000	BOBBIN CASE OPENING LEVER CRAN				2
28	B18231580A0	PIN ASM.				2
29	CQ252000000	OIL WICK		*		0.02
30	SS8150710SP	SCREW 15/64-28 L=7				2
31	B1825158000	WASHER				2
32	B1824057000	BOBBIN CASE OPENING LEVER				2
33	SS7080510TP	SCREW 1/8-44 L=4.5				2
34	WP0371016SD	WASHER 3.7X8X1				2
35	40032438	HOOK ASM.				2
36	B9117057000	BOBBIN				2
37	B18400510A0	FEED DRIVING ECCENTRIC ASM.				1
38	SS8150580SP	SCREW 15/64-28 L=5		*		1
39	B18160510B0	HOOK DRIVING SHAFT GEAR ASM.				2
40	B18160510A0	HOOK DRIVING SHAFT GEAR ASM, L		*		2
41	SS9660910SP	SCREW 1/4-40 L=9.4		*		2
42	SS9660810SP	SCREW 1/4-40 L=7.9		*		2
43	B18170510A0	HOOK DRIVING SHAFT GEAR ASM, S		*		2
44	SS8660670SP	SCREW 1/4-40 L= 6.1		*		2
45	SS8660530TP	SCREW 1/4-40 L= 4.5		*		2
46	B1818051A00	THRUST WASHER				2
47	40032430	INNER HOOK PRESSER	SPACIAL ORDER PART			1

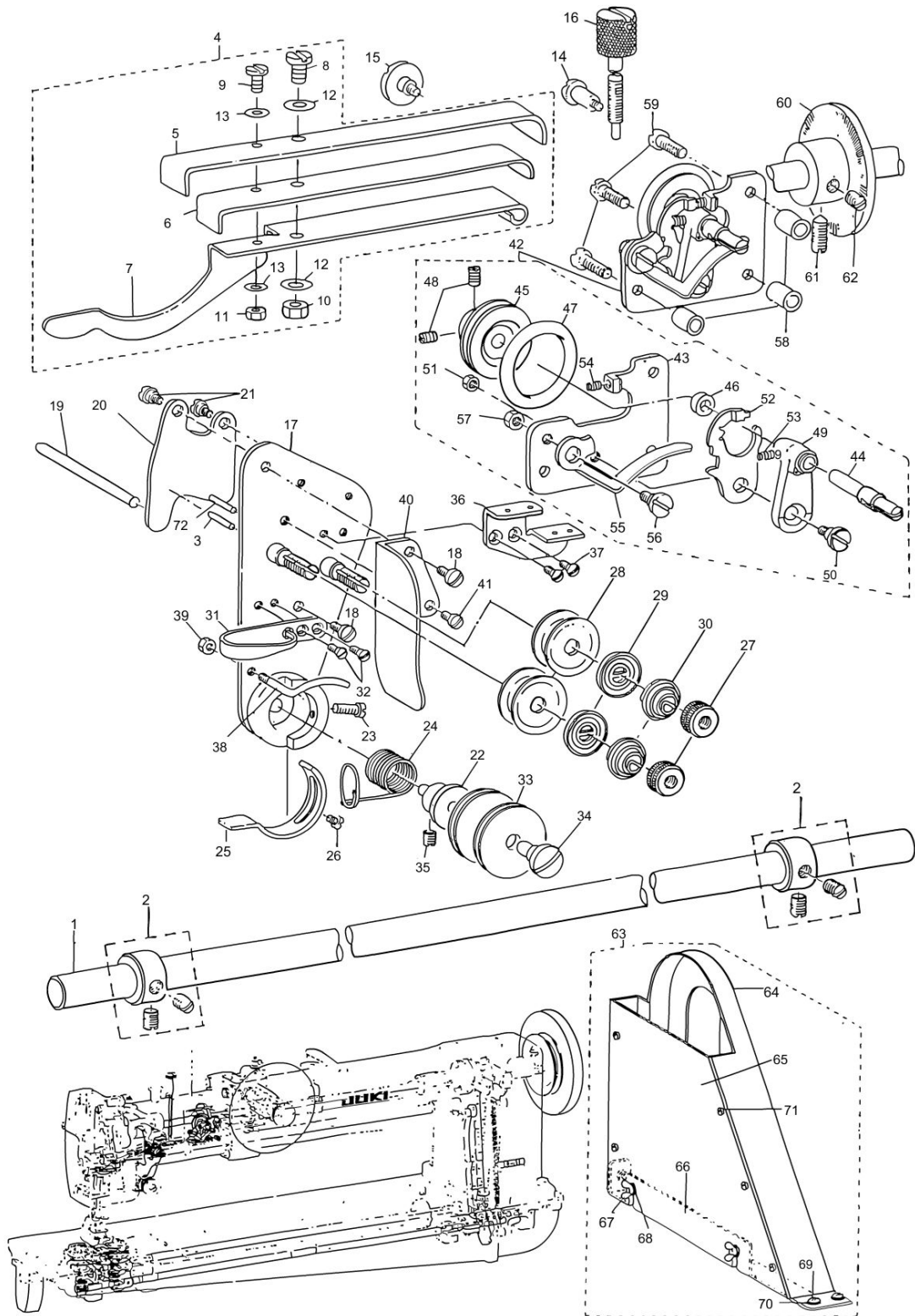
SEWING HOOK DRIVING SHAFT COMPONENTS



SEWING HOOK DRIVING SHAFT COMPONENTS

No.	Parts No.	Parts name	Remarks	Level	Cons	Qty
48	SS8150830SP	SCREW				1
49	B1802057C00	LOWER SHAFT FRONT METAL C	FOR GAUGE SIZE(1-1/4",1-1/2",2")			1
50	B1802057D00	LOWER SHAFT FRONT METAL (D)	FOR GAUGE SIZE(2-1/4",2-1/2")			1
51	B1804057C00	LOWER SHAFT INNER METAL C	FOR GAUGE SIZE(1-1/4",1-1/2",2")			1
52	B1804057D00	LOWER SHAFT INNER METAL (D)	FOR GAUGE SIZE(2-1/4",2-1/2")			1

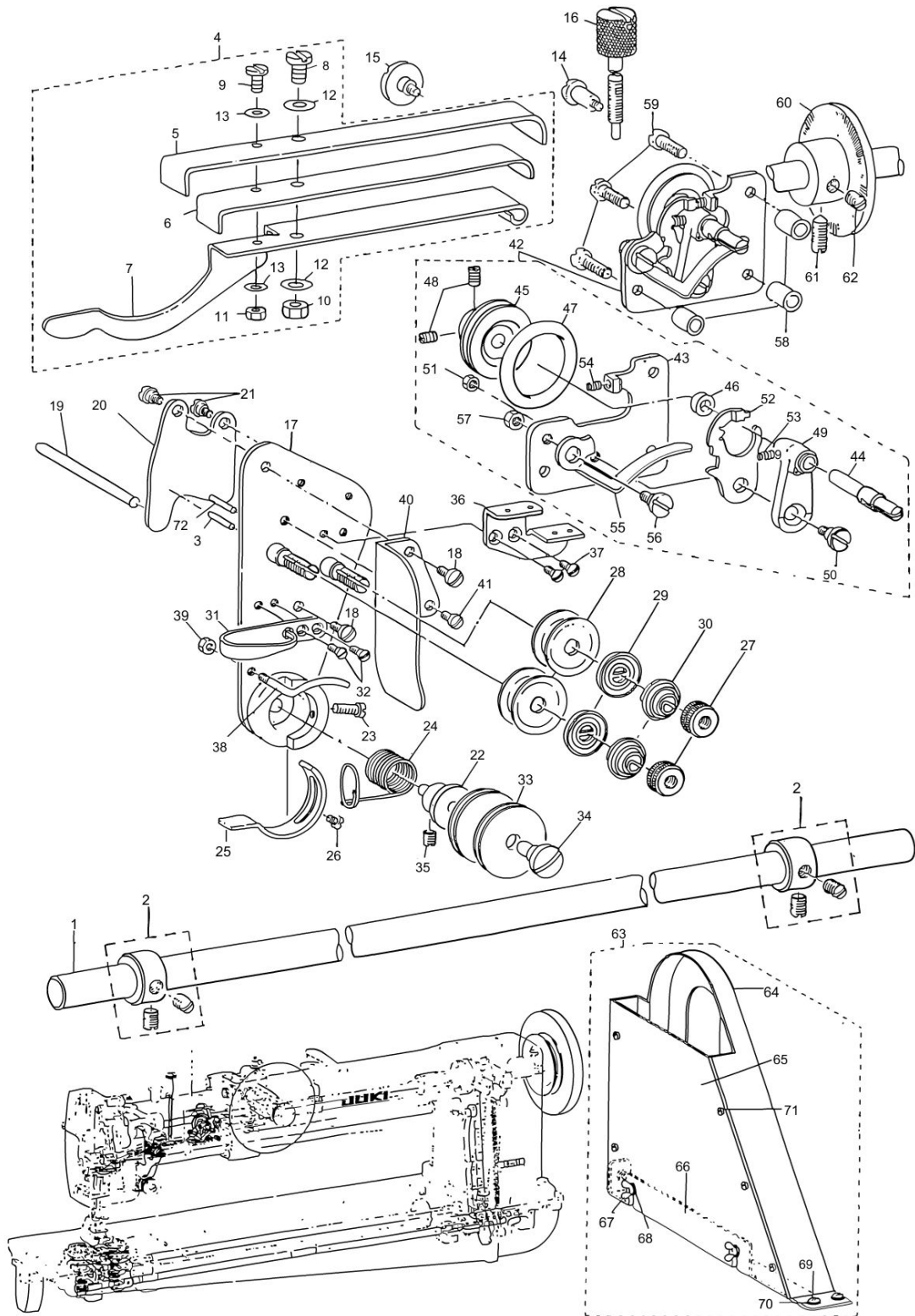
THREAD TENSION & THREAD WINDER COMPONENTS



THREAD TENSION & THREAD WINDER COMPONENTS

No.	Parts No.	Parts name	Remarks	Level	Cons	Qty
1	B1601158000	FEED ROCK SHAFT				1
2	CS140101BSP	THRUST COLLAR ASM.				2
3	B312715800B	THREAD RELEASE PIN B				1
4	B15051580A0	ADJUSTING PLATE SPRING ASM.				1
5	B150515800A	PRESSER ADJUSTING PLATE SPRING		*		1
6	B150515800B	PRESSER ADJUSTING PLATE SPRING		*		1
7	B150515800C	PRESSER ADJUSTING PLATE SPRING		*		1
8	SS6151440SP	SCREW 15/64-28 L=14		*		1
9	SS6081010TP	SCREW 1/8-44 L=10		*		1
10	NS6150430SP	NUT 15/64-28		*		1
11	NS6080210SP	NUT 1/8-44		*		1
12	WP0621026SP	WASHER 6.2X9.5X1		*		2
13	WP0350516SD	WASHER 3.5X6X0.5		*		2
14	SD0801601SP	HINGE SCREW D= 8 H=16				1
15	SD0800481SP	HINGE SCREW D= 8 H= 4.9				1
16	B15071580A0	PRESSURE BAR FLAT SPRING ASM.				1
17	B31210570B0	THREAD TENSION BASE PLATE ASM.				1
18	SS7110910SP	SCREW 11/64-40 L=8.5				2
19	B3122057000	TENSION RELEASE BAR				1
20	B3134057000	TENSION RELEASE LEVER				1
21	SD0470281SP	HINGE SCREW D=4.7 H=2.8				2
22	B3123057000	TAKE-UP SPRING STUD				1
23	SS7111110TP	SCREW 11/64-40 L=10.5				1
24	B3128057B00	TAKE-UP SPRING				1
25	B3143057000	TAKE-UP SPRING ADJUSTING PLATE				1
26	SS7090520SP	SCREW 9/64-40 L= 4.5				1
27	B3125012000	THREAD TENSION NUT				2
28	B3126012000	THREAD TENSION DISK				4
29	B3132012000	TENSION DISC HOLDER				2
30	B3129053000	TENSION SPRING				2
31	B3140057000	TENSION THREAD GUIDE				1
32	SS2090520SL	SCREW 9/64-40 L=5				2
33	B3138057000	THREAD GUIDE ROLLER				2
34	B3139057000	THREAD GUIDE ROLLER STUD				1
35	SS8090410SP	SCREW 9/64-40 L= 3.5				1
36	B3141057000	THREAD GUIDE PLATE				1
37	SS2090510SP	SCREW 9/64-40 L=5				2
38	B3131057000	L-SHAPED THREAD GUIDE				1
39	NS6080210SP	NUT 1/8-44				1
40	B3144057000	THREAD COVER				1
41	SS7090520SP	SCREW 9/64-40 L= 4.5				1
42	B32011580A0	THREAD WINDER ASM.				1
43	B3201158000	THREAD WINDER BASE		*		1
44	B3202158000A	THREAD WIDING SHAFT		*		1
45	B3211210000	BOBBIN WINDER WHEEL		*		1
46	B3207158000A	THREAD WIDING SHAFT COLLAR		*		1
47	B3212210000	FRICTION WHEEL		*		1

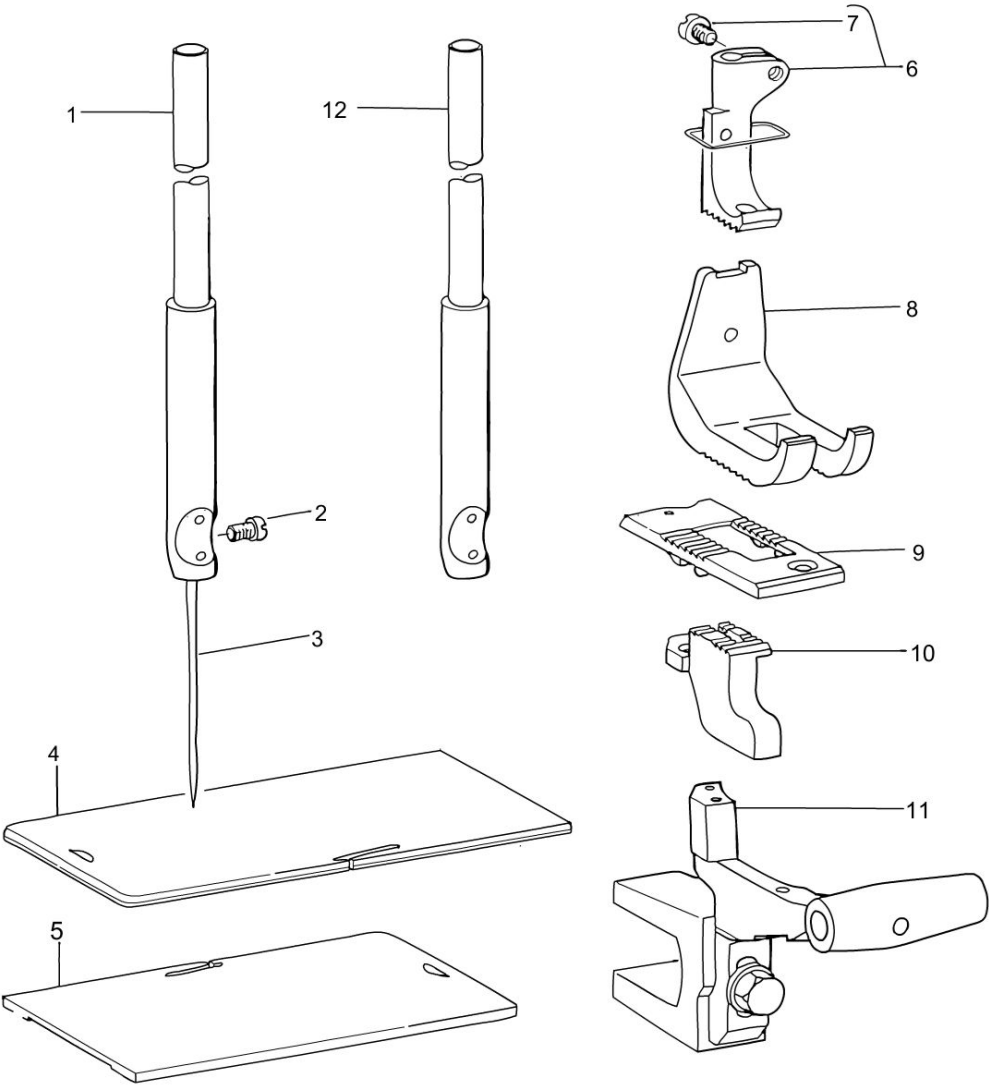
THREAD TENSION & THREAD WINDER COMPONENTS



THREAD TENSION & THREAD WINDER COMPONENTS

No.	Parts No.	Parts name	Remarks	Level	Cons	Qty
48	SS8110510SP	SCREW 11/64-40 L=5		*		2
49	B3204232000	BOBBIN WINDER FRAME		*		1
50	B3205232000	HINGE SCREW,		*		1
51	NS6110310SP	NUT 11/64-40		*		1
52	B3206232000	BOBBIN WINDER TENSION BRACKET		*		1
53	B3208232000	SPRING		*		1
54	A3222958000	BOBBIN WINDER SPRING, LONG		*		1
55	B3210158000	BOBBIN PRESSER		*		1
56	SD0720193SP	HINGE SCREW D= 7.24 H= 1.9		*		1
57	NS6110310SP	NUT 11/64-40		*		1
58	B3203158000	WASHER				3
59	SS7111810SP	SCREW 11/64-40 L=18				3
60	B3215232000	BOBBIN WINDER FRICTION WHEEL				1
61	SS8151150SP	SCREW 15/64-28 L=10.5				1
62	SS8150710SP	SCREW 15/64-28 L=7				1
63	B82301580A0	BELT COVER ASM.				1
64	B8230158000	BELT COVER		*		1
65	B8231158000	BELT COVER SIDE PLATE		*		1
66	B8232158000	AUXILIARY PLATE		*		1
67	B8233158000	WING SCREW		*		3
68	WP0501016SC	WASHER 5X10.5X1		*		3
69	SK3482500SC	WOOD SCREW D=4.8 L=25		*		5
70	WP0501016SC	WASHER 5X10.5X1		*		5
71	SS7110510SP	SCREW 11/64-40 L=5		*		5
72	B312715800A	THREAD RELEASE PIN A				1

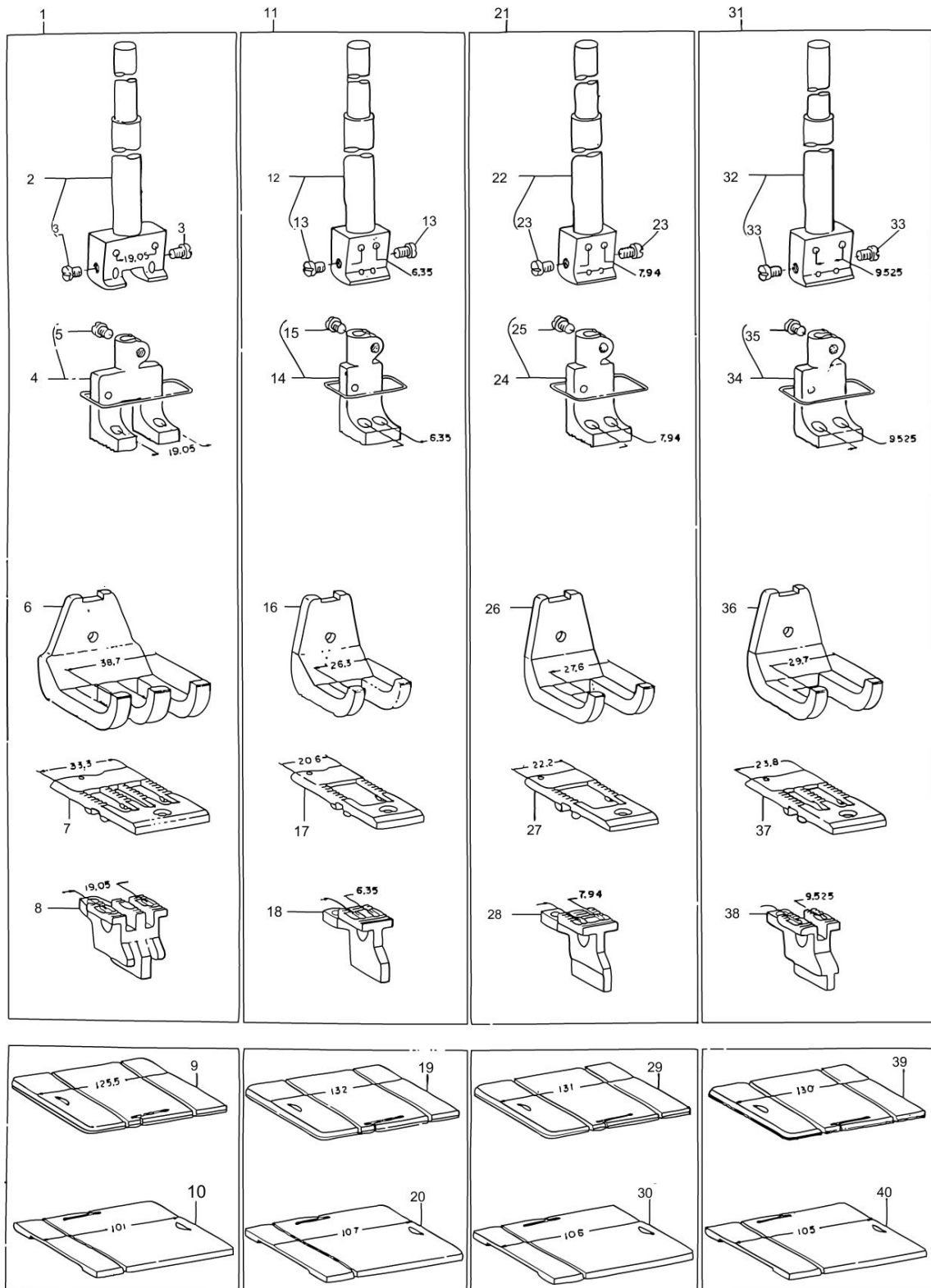
EXCLUSIVE PARTS FOR LG-158-1



EXCLUSIVE PARTS FOR LG-158-1

No.	Parts No.	Parts name	Remarks	Level	Cons	Qty
1	D1401057A0BA	NEEDLE BAR				1
2	SS7620610SP	SCREW 3/16-32 L=6.0				1
3	MDD100B2500	NEEDLE DDX1 #25				1
4	B1112057N00	BED SLIDE LEFT 3/4				1
5	D1113057A00	BED SLIDE, RIGHT				1
6	D1470158AB0	WALKING FOOT ASM.				1
7	SS7090910TP	SCREW 9/64-40 L= 8.5		*		1
8	D1525057A00	PRESSER FOOT				1
9	D1109057A00	THROAT PLATE (FOR SINGLE NEEDL				1
10	D1613158A00	FEED DOG				1
11	D1602158AA0	FEED BASE ASM.				1
12	D1401158A00	NEEDLE ROD	SPACIAL ORDER PART			1

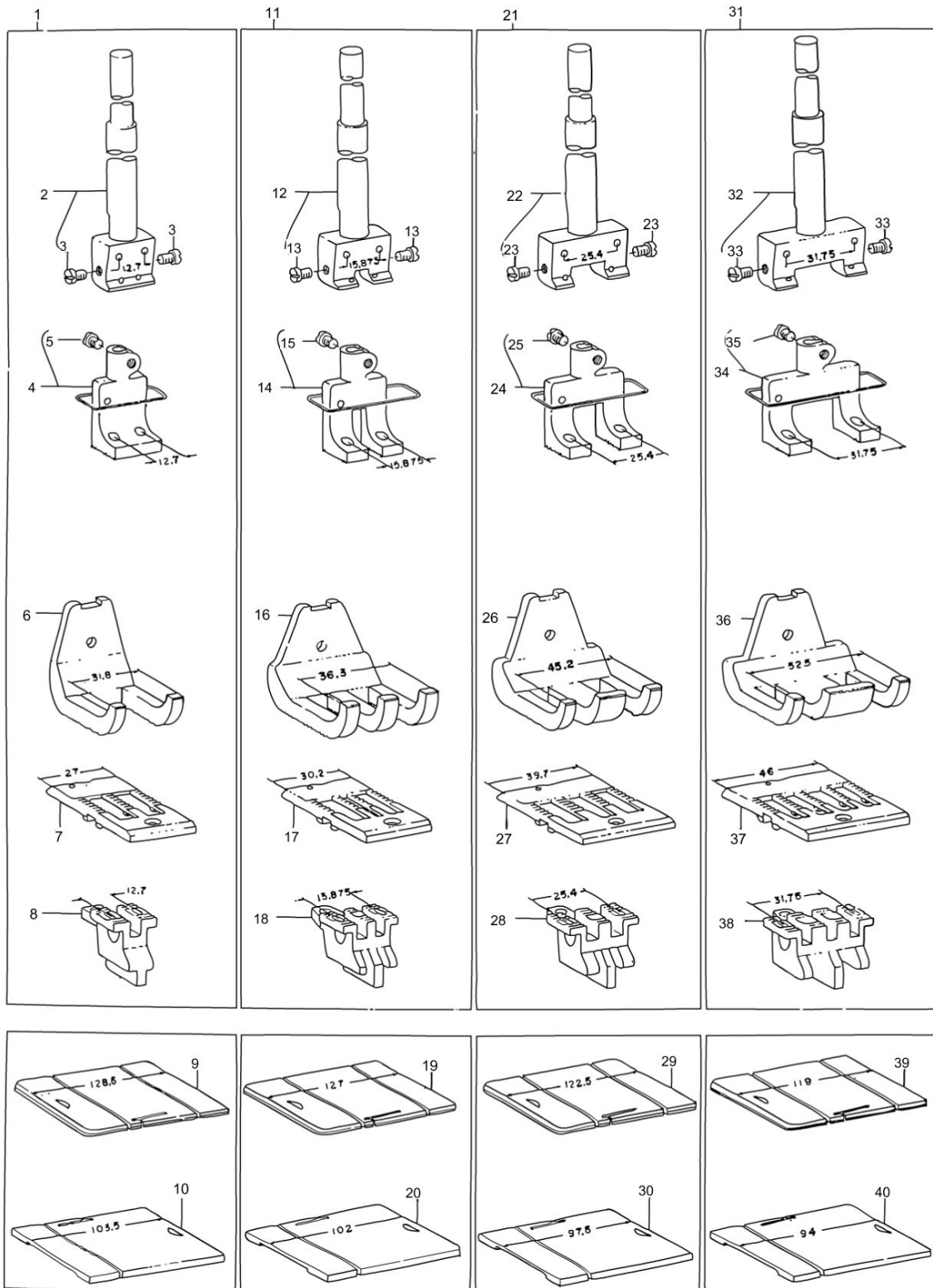
EXCHANGING GAUGE PARTS (1)



EXCHANGING GAUGE PARTS (1)

No.	Parts No.	Parts name	Remarks	Level	Cons	Qty
1	B1109158NF0	GAUGE SET 3/4				1
2	B1401057NAB	NEEDLE BAR ASM. 3/4		*		1
3	SS7620610SP	SCREW 3/16-32 L=6.0		*		2
4	B1470158NB0	WALKING FOOT ASM. 3/4		*		1
5	SS7090910TP	SCREW 9/64-40 L= 8.5		*		1
6	B1525057N00	PRESSER FOOT (3/4")		*		1
7	B1109057N00	THROAT PLATE (3/4)		*		1
8	B1613057N00	FEED DOG (3/4")		*		1
9	B1112057N00	BED SLIDE LEFT 3/4				1
10	B1113057N00	BED SLIDE RIGHT 3/4				1
11	B1109158FF0	GAUGE SET 1/4				1
12	B1401057FAB	NEEDLE BAR ASM. 1/4		*		1
13	SS7620610SP	SCREW 3/16-32 L=6.0		*		2
14	B1470158FB0	WALKING FOOT ASM. 1/4		*		1
15	SS7090910TP	SCREW 9/64-40 L= 8.5		*		1
16	B1525057F00	PRESSER FOOT (1/4)		*		1
17	B1109057F00	THROAT PLATE (1/4)		*		1
18	B1613057F00	FEED DOG (1/4)		*		1
19	B1112057F00	BED SLIDE,LEFT 1/4				1
20	B1113057F00	BED SLIDE,RIGHT 1/4				1
21	B1109158HF0	GAUGE SET 5/16				1
22	B1401057HAB	NEEDLE BAR ASM. 5/16		*		1
23	SS7620610SP	SCREW 3/16-32 L=6.0		*		2
24	B1470158HB0	WALKING FOOT ASM. 5/16		*		1
25	SS7090910TP	SCREW 9/64-40 L= 8.5		*		1
26	B1525057H00	PRESSER FOOT		*		1
27	B1109057H00	THROAT PLATE 5/16		*		1
28	B1613057H00	FEED DOG 5/16		*		1
29	B1112057H00	BED SLIDE,LEFT 5/16				1
30	B1113057H00	BED SLIDE,RIGHT 5/16				1
31	B1109158KF0	GAUGE SET 3/8				1
32	B1401057KAB	NEEDLE BAR ASM. 3/8		*		1
33	SS7620610SP	SCREW 3/16-32 L=6.0		*		2
34	B1470158KB0	WALKING FOOT ASM. 3/8		*		1
35	SS7090910TP	SCREW 9/64-40 L= 8.5		*		1
36	B1525057K00	PRESSER FOOT (3/8)		*		1
37	B1109057K00	THROAT PLATE (3/8)		*		1
38	B1613057K00	FEED DOG (3/8)		*		1
39	B1112057K00	BED SLIDE,LEFT 3/8				1
40	B1113057K00	BED SLIDE,RIGHT 3/8				1

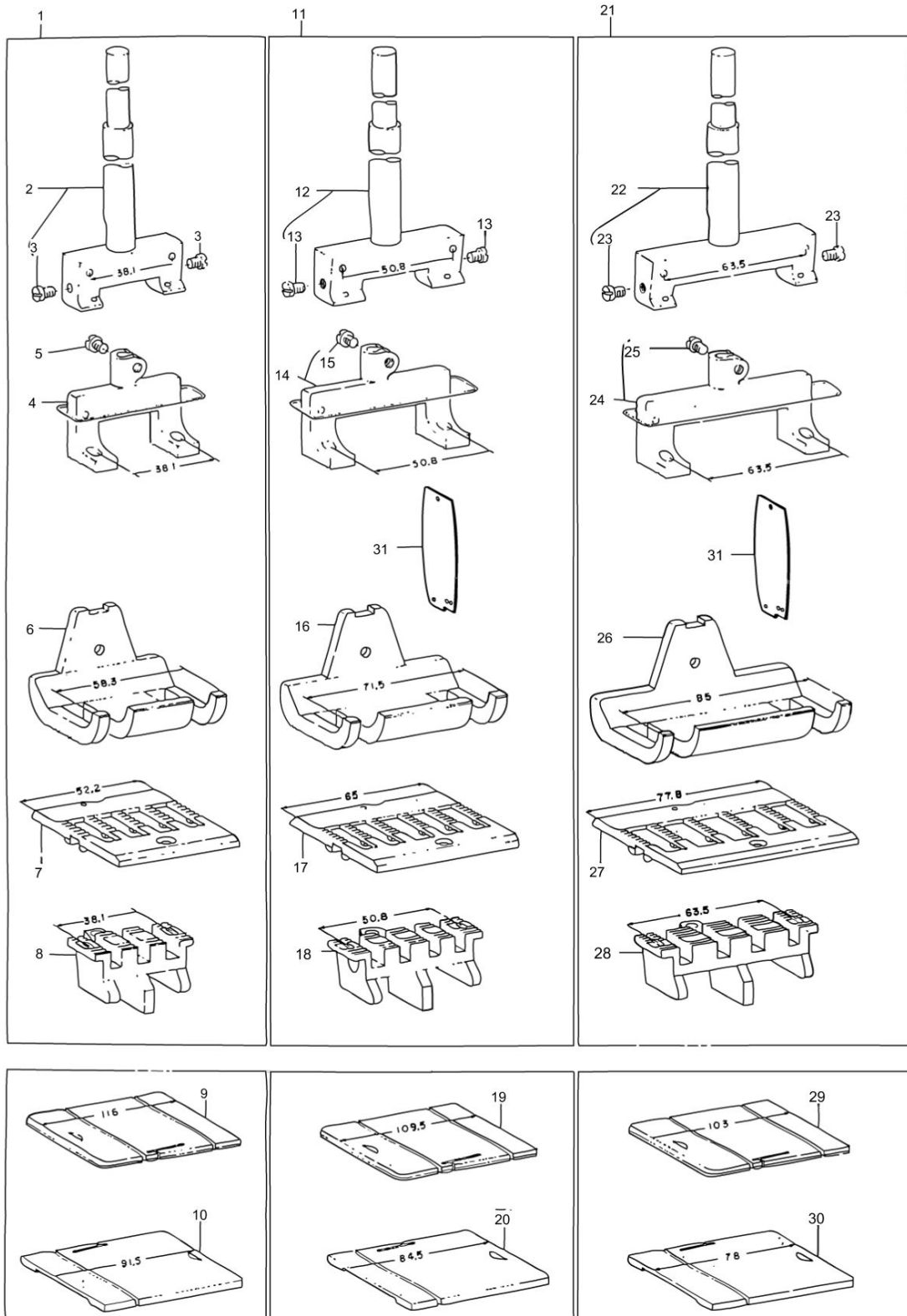
EXCHANGING GAUGE PARTS (2)



EXCHANGING GAUGE PARTS (2)

No.	Parts No.	Parts name	Remarks	Level	Cons	Qty
1	B1109158LF0	GAUGE SET 1/2				1
2	B1401057LAB	NEEDLE BAR ASM. 1/2		*		1
3	SS7620610SP	SCREW 3/16-32 L=6.0		*		2
4	B1470158LB0	WALKING FOOT ASM. 1/2		*		1
5	SS7090910TP	SCREW 9/64-40 L= 8.5		*		1
6	B1525057L00	PRESSER FOOT (1/2)		*		1
7	B1109057L00	THROAT PLATE (1/2)		*		1
8	B1613057L00	FEED DOG (1/2)		*		1
9	B1112057L00	BED SLIDE,LEFT 1/2				1
10	B1113057L00	BED SLIDE,RIGHT 1/2				1
11	B1109158MF0	GAUGE SET 5/8				1
12	B1401057MAB	NEEDLE BAR ASM. 5/8		*		1
13	SS7620610SP	SCREW 3/16-32 L=6.0		*		2
14	B1470158MB0	WALKING FOOT ASM. 5/8		*		1
15	SS7090910TP	SCREW 9/64-40 L= 8.5		*		1
16	B1525057M00	PRESSER FOOT (5/8)		*		1
17	B1109057M00	THROAT PLATE (5/8)		*		1
18	B1613057M00	FEED DOG		*		1
19	B1112057M00	BED SLIDE,LEFT 5/8				1
20	B1113057M00	BED SLIDE,RIGHT 5/8				1
21	B1109158QF0	GAUGE SET 1				1
22	B1401057QAB	NEEDLE BAR ASM. 1		*		1
23	SS7620610SP	SCREW 3/16-32 L=6.0		*		2
24	B1470158QB0	WALKING FOOT ASM. 1		*		1
25	SS7090910TP	SCREW 9/64-40 L= 8.5		*		1
26	B1525057Q00	PRESSER FOOT (1)		*		1
27	B1109057Q00	THROAT PLATE (1)		*		1
28	B1613057Q00	FEED DOG (1)		*		1
29	B1112057Q00	BED SLIDE,LEFT1				1
30	B1113057Q00	BED SLIDE,RIGHT 1				1
31	B1109158SF0	GAUGE SET 1-1/4				1
32	B1401057SAB	NEEDLE BAR ASM. 1-1/4		*		1
33	SS7620610SP	SCREW 3/16-32 L=6.0		*		2
34	B1470158SB0	WALKING FOOT ASM. 1-1/4		*		1
35	SS7090910TP	SCREW 9/64-40 L= 8.5		*		1
36	B1525057S00	PRESSER FOOT (1-1/4)		*		1
37	B1109057S00	THROAT PLATE		*		1
38	B1613057S00	FEED DOG (1-1/4)		*		1
39	B1112057S00	BED SLIDE,LEFT 1-1/4				1
40	B1113057S00	BED SLIDE,RIGHT 1-1/4				1

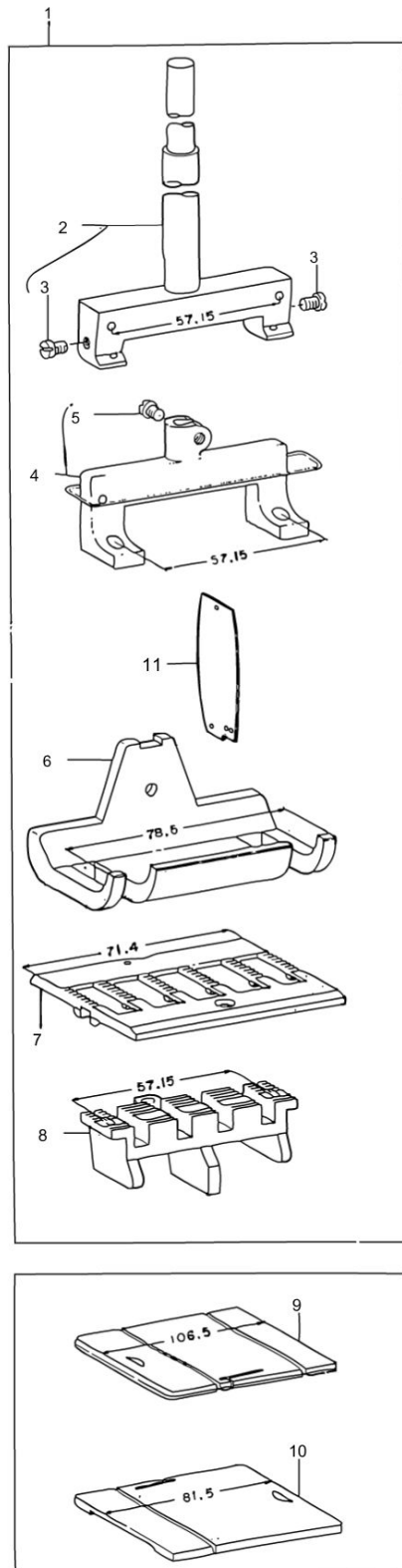
EXCHANGING GAUGE PARTS (3)



EXCHANGING GAUGE PARTS (3)

No.	Parts No.	Parts name	Remarks	Level	Cons	Qty
1	B1109158UF0	GAUGE SET 1-1/2				1
2	B1401057UAB	NEEDLE BAR ASM. 1-1/2		*		1
3	SS7620610SP	SCREW 3/16-32 L=6.0		*		2
4	B1470158UB0	WALKING FOOT ASM. 1-1/2		*		1
5	SS7090910TP	SCREW 9/64-40 L= 8.5		*		1
6	B1525057U00	PRESSER FOOT (1-1/2)		*		1
7	B1109057U00	THROAT PLATE (1-1/2)		*		1
8	B1613057U00	FEED DOG (1-1/2)		*		1
9	B1112057U00	BED SLIDE,LEFT 1-1/2				1
10	B1113057U00	BED SLIDE,RIGHT 1-1/2				1
11	B11091582F0	GAUGE SET 2				1
12	B14010572AB	NEEDLE BAR ASM. 2		*		1
13	SS7620610SP	SCREW 3/16-32 L=6.0		*		2
14	B14701582B0	WALKING FOOT ASM. 2		*		1
15	SS7090910TP	SCREW 9/64-40 L= 8.5		*		1
16	B1525057200	PRESSER FOOT		*		1
17	B1109057200	THROAT PLATE 2		*		1
18	B1613057200	FEED DOG 2		*		1
19	B1112057200	BED SLIDE,LEFT 2				1
20	B1113057200	BED SLIDE,RIGHT 2				1
21	B11091583F0	GAUGE SET 2-1/2				1
22	B14010573AB	NEEDLE BAR ASM. 2-1/2		*		1
23	SS7620610SP	SCREW 3/16-32 L=6.0		*		2
24	B14701583B0	WALKING FOOT ASM. 2-1/2		*		1
25	SS7090910TP	SCREW 9/64-40 L= 8.5		*		1
26	B1525057300	PRESSER FOOT		*		1
27	B1109057300	THROAT PLATE 2-1/2		*		1
28	B1613057300	FEED DOG 2-1/2		*		1
29	B1112057300	BED SLIDE,LEFT 2-1/2				1
30	B1113057300	BED SLIDE,RIGHT 2-1/2				1
31	B310115800A	FACE PLATE				1

EXCHANGING GAUGE PARTS (4)



EXCHANGING GAUGE PARTS (4)

No.	Parts No.	Parts name	Remarks	Level	Cons	Qty
1	B11091534F0	GAUGE SET ASM. 2-1/4				1
2	B14011584AB	NEEDLE BAR ASM. 2-1/4		*		1
3	SS7620610SP	SCREW 3/16-32 L=6.0		*		2
4	B14701584B0	WALKING FOOT ASM. 2-1/4		*		1
5	SS7090910TP	SCREW 9/64-40 L= 8.5		*		1
6	B1525158400	WALKING FOOT ASM. 2-1/4		*		1
7	B1109158400	THROAT PLATE 2-1/4		*		1
8	B1613158400	FEED DOG 2-1/4		*		1
9	B1112158400	BED SLIDE,LEFT 2-1/4				1
10	B1113158400	BED SLIDE,RIGHT 2-1/4				1
11	B310115800A	FACE PLATE				1

LIST FOR INFORMATION OF CHANGE (1)

As to the place changed, refer to the corresponding Rev.No.
 When previous parts(Obsoleted part)and new parts(Added parts)are
 not interchangeable with each other:
 In this case,even obsoleted parts(D.)can be ordered with the
 obsoleted part number,so select the parts with changed dates and
 place your orders.

変更箇所は、該当Rev.No.版をご参照ください。
 部品の互換性がない変更の場合は、削除された品番でも、ご注文できます。

BE1580TOPJA
 No.0015-10 Rev.No.

*A:Added parts追加部品/D:Obsoleted parts削除部品/E:Erratum訂正

* Rev. No.	Page 頁	Ref. No.	Parts No. 品番	* Rev. No.	Page 頁	Ref. No.	Parts No. 品番
D 09	2	15	SS-7090540-SP	A 10	2	15	SS-7090540-TP
D 09	2	20	B1157-009-OA0	A 10	2	20	B1156-115-000
D 09	2	24	B1291-158-000	A 10	2	24	B1291-158-00A
D 09	2	25	SS-2110920-SP	A 10	2	25	SS-2110920-TP
D 09	2	26	B1292-057-000	A 10	2	26	B1292-057-00A
D 09	2	27	SS-2110920-SP	A 10	2	27	SS-2110920-TP
D 09	2	38	B1296-057-000	A 10	2	38	B1296-057-00A
D 09	2	39	SS-2090710-SP	A 10	2	39	SS-2090710-TP
D 09	2	41	B1299-057-000	A 10	2	41	B1299-057-00A
				A 10	2	69	CM-3002000-03
				A 10	2	70	CM-3012000-02
D 09	4	8	B1201-158-000-A	A 10	4	8	400-21423
D 09	4	10	B1204-051-000	A 10	4	10	CQ-2520000-00
D 09	4	14	B1204-051-000	A 10	4	14	CQ-3030000-00
D 09	4	16	B1204-051-000	A 10	4	16	CQ-3030000-00
D 09	4	19	B1204-051-000	A 10	4	19	CQ-3030000-00
D 09	4	21	B1206-057-000-A	A 10	4	21	400-21422
D 09	4	22	SS-8681650-TP	A 10	4	22	SS-8701042-TP
D 09	4	23	B1207-057-000				
D 09	4	32	B1227-158-000	A 10	4	32	B1227-158-00A
D 09	4	38	SM-8080882-TP	A 10	4	38	SM-8080812-TP
D 09	4	44	SS-8090410-SP	A 10	4	44	SS8090540-SP
D 09	4	51	SS-7661110-TH				
				A 10	4	53	SS-9660910-SP
				A 10	4	54	SS-9660810-SP
				A 10	4	60	SS-8151230-SP
D 09	6	20	NS-6620310-SN				
D 09	6	58	SS-7091310-SP	A 10	6	58	SS-6091210-TP
D 09	8	28	SS-6660710-TP	A 10	8	28	SS-6661110-SP
D 09	10	35	B1830-057-SA0	A 10	10	35	400-32438
D 09	10	40	B1816-057-OA0	A 10	10	40	B1816-051-OA0
D 09	10	43	B1817-057-OA0	A 10	10	43	B1817-051-OA0
D 09	10	47	B1830-057-AOC	A 10	10	47	400-32430
D 09	12	2	CS-1401010-SC	A 10	12	2	CS-140101B-SP
D 09	12	3	SS-8150410-SP				
D 09	12	32	SS-2090510-SP	A 10	12	32	SS-2090520-SL

HOW TO MAKE USE OF THIS PARTS LIST

1.Explanation of codes

1)"*"mark.....means this part is changed from the previous parts book.

As to the details of the change, refer to the "List for information of change".

2)"#01".....refer to "Note" explanation at bottom of page.

2.Codes on the "Qty" column

- Each numeral indicates the number of parts required.
- "0.1" and "2.5" indicate the length (in meters) of the respective parts.

3.Parentheses mean that the corresponding part is a subpart that constructs an assembly part.

4.Dotted lines on the Figures indicate assembly parts.

1."注記"欄の記号説明

1) "*"印.....前回のパーツブックに比較して今回変更された部品を意味します。

変更内容は、"変更情報リスト"を参照してください。

2) "#01".....ページ下の"注記"の説明を参照してください。

2.数量欄の数字は、個数を表し、0.1、2.5等の数値は、長さ（単位メートル）を表します。

3.数量欄の（ ）は、組部品を構成している子部品であることを意味します。

4.イラストページの-----枠は、組構成であることを意味します。

NUMERICAL INDEX OF PARTS

PART NO	PAGE	REF NO.	PART NO	PAGE	REF NO.	PART NO	PAGE	REF NO.
40021422	6	21	B1112057U00	32	9	B129605700A	2	38
40021423	6	8	B1112158400	34	9	B12970570A0	2	40
40032430	18	47	B1113057200	32	20	B129905700A	2	41
40032438	18	35	B1113057300	32	30	B1301158000	6	35
A3222958000	24	54	B1113057F00	28	20	B1302158000	6	36
B1103051000	2	3	B1113057H00	28	30	B1303158000	6	41
B1104051000	2	6	B1113057K00	28	40	B13031580A0	6	40
B1109057200	32	17	B1113057L00	30	10	B1304012A00	10	9
B1109057300	32	27	B1113057M00	30	20	B1304012A00	14	37
B1109057F00	28	17	B1113057N00	2	10	B1305055000A	6	42
B1109057H00	28	27	B1113057N00	28	10	B1306158000A	8	61
B1109057K00	28	37	B1113057Q00	30	30	B1307055000	6	45
B1109057L00	30	7	B1113057S00	30	40	B1307057000	8	55
B1109057M00	30	17	B1113057U00	32	10	B1308055000	6	46
B1109057N00	2	4	B1113158400	34	10	B1308057000	8	56
B1109057N00	28	7	B1114517000	2	11	B1309055000	6	47
B1109057Q00	30	27	B11131057000	2	12	B1310055000	8	48
B1109057S00	30	37	B11131158000	2	14	B1311055000	8	50
B1109057U00	32	7	B1150158000	2	16	B1314055000	8	49
B11091534F0	34	1	B1152051000	2	17	B1314158000A	8	57
B11091582F0	32	11	B1155053000	2	19	B1315158000	6	43
B11091583F0	32	21	B1156115000	2	20	B14010572AB	32	12
B1109158400	34	7	B12020510A0	6	9	B14010573AB	32	22
B1109158FF0	28	11	B1203051000	2	37	B1401057FAB	28	12
B1109158HF0	28	21	B1203051000	6	11	B1401057HAB	28	22
B1109158KF0	28	31	B1203158AA0	6	13	B1401057KAB	28	32
B1109158LF0	30	1	B1203158BA0	6	15	B1401057LAB	30	2
B1109158MF0	30	11	B1204051000	6	25	B1401057MAB	30	12
B1109158NF0	28	1	B1204051000	10	4	B1401057N0B	10	1
B1109158QF0	30	21	B12100510A0	6	24	B1401057NAB	28	2
B1109158SF0	30	31	B1214019000	6	52	B1401057QAB	30	22
B1109158UF0	32	1	B1214019000	8	52	B1401057SAB	30	32
B11100570A0	2	8	B12160570A0	6	18	B1401057UAB	32	2
B1112057200	32	19	B1218012000	18	11	B14011584AB	34	2
B1112057300	32	29	B1226552000	14	15	B1408057000	6	28
B1112057F00	28	19	B122715800A	6	32	B14110570A0	10	2
B1112057H00	28	29	B1233012000	6	33	B1412051000	10	11
B1112057K00	28	39	B1290057A00	2	22	B14201580A0	10	5
B1112057L00	30	9	B1290057B00	2	23	B1422158000	10	10
B1112057M00	30	19	B129115800A	2	24	B14231580A0	10	15
B1112057N00	2	9	B129205700A	2	26	B1425051000	10	18
B1112057N00	26	4	B12930570B0	2	28	B1426051000	10	19
B1112057N00	28	9	B1293057AA0	2	29	B1426057000	10	21
B1112057Q00	30	29	B12940570A0	2	32	B14270570A0	10	22
B1112057S00	30	39	B1295057000	2	35	B1428057000	10	25

NUMERICAL INDEX OF PARTS

PART NO	PAGE	REF NO.	PART NO	PAGE	REF NO.	PART NO	PAGE	REF NO.
B1429158000	10	6	B1525057F00	28	16	B1644158000	14	41
B1430158000	10	8	B1525057H00	28	26	B1645158000	14	34
B14311580A0	10	12	B1525057K00	28	36	B1646158000	14	42
B1432158000	10	62	B1525057L00	30	6	B1647158000	14	47
B1432158000	12	62	B1525057M00	30	16	B1648158000	16	48
B1434158000	2	43	B1525057N00	12	59	B1650158000	14	44
B14500570A0	6	29	B1525057N00	28	6	B1651158000	14	45
B1451057000	10	29	B1525057Q00	30	26	B1800057000	18	1
B1452057000	10	30	B1525057S00	30	36	B1801158000	18	3
B1453057000	10	31	B1525057U00	32	6	B1802057000	18	4
B14540530AB	10	35	B1525158400	34	6	B1802057C00	20	49
B14540570A0	10	33	B1601158000	22	1	B1802057D00	20	50
B1455057000	10	41	B16021580A0	14	1	B1804057B00	18	6
B1456057000	10	39	B1603158000	14	2	B1804057C00	20	51
B1457057000	10	32	B1605051000	14	5	B1804057D00	20	52
B1458057000	10	38	B1612158000	16	49	B18081580A0	18	8
B14590570A0	10	42	B1613057200	32	18	B1810051000	18	14
B14600570A0	10	46	B1613057300	32	28	B1811051000	18	15
B1466158000	10	45	B1613057F00	28	18	B1814158000	18	19
B14701582B0	32	14	B1613057H00	28	28	B1815051000	18	21
B14701583B0	32	24	B1613057K00	28	38	B18160510A0	18	40
B14701584B0	34	4	B1613057L00	30	8	B18160510B0	18	39
B1470158FB0	28	14	B1613057M00	30	18	B18170510A0	18	43
B1470158HB0	28	24	B1613057N00	14	9	B1818051A00	18	46
B1470158KB0	28	34	B1613057N00	28	8	B1820057000	18	23
B1470158LB0	30	4	B1613057Q00	30	28	B18210510A0	18	24
B1470158MB0	30	14	B1613057S00	30	38	B1822057000	18	27
B1470158NB0	12	48	B1613057U00	32	8	B18231580A0	18	28
B1470158NB0	28	4	B1613158400	34	8	B1824057000	18	32
B1470158QB0	30	24	B1614158000	14	11	B1825158000	18	31
B1470158SB0	30	34	B16151580A0	14	12	B18400510A0	18	37
B1470158UB0	32	4	B16161580A0	14	3	B1905057000	6	2
B1501057000	12	50	B16181580A0	14	16	B19050570B0	6	1
B1502051000	12	51	B16201580A0	14	20	B19060510A0	6	3
B1503051A00	12	55	B16201580B0	14	19	B19070570A0	6	5
B1503057000	12	56	B16211580A0	14	24	B2510158000	4	55
B15040570A0	12	53	B1622158000	14	25	B3101158000	2	1
B150515800A	22	5	B1625158000	14	27	B310115800A	32	31
B150515800B	22	6	B1626158000	14	26	B310115800A	34	11
B150515800C	22	7	B1629158000	14	22	B31210570B0	22	17
B15051580A0	22	4	B1636158000	14	29	B3122057000	22	19
B15071580A0	22	16	B1637158000	14	31	B3123057000	22	22
B15075620A0	12	57	B1639158000	14	32	B3125012000	22	27
B1525057200	32	16	B1640158000	14	36	B3126012000	22	28
B1525057300	32	26	B16411580A0	14	33	B312715800A	24	72

NUMERICAL INDEX OF PARTS

PART NO	PAGE	REF NO.	PART NO	PAGE	REF NO.	PART NO	PAGE	REF NO.
B312715800B	22	3	CM301200002	4	70	SD0801601SP	22	14
B3128057B00	22	24	CQ202000000	10	43	SD1404251CP	4	61
B3129053000	22	30	CQ202000000	16	53	SK3482500SC	24	69
B3131057000	22	38	CQ252000000	6	10	SM8080812TP	6	38
B3132012000	22	29	CQ252000000	18	29	SS2090510SP	22	37
B3134057000	22	20	CQ303000000	6	19	SS2090520SL	22	32
B3138057000	22	33	CQ303000000	10	36	SS2090710TP	2	39
B3139057000	22	34	CQ303000000	18	9	SS2110920TP	2	27
B3140057000	22	31	CQ505000000	14	18	SS2111010TP	2	5
B3141057000	22	36	CS0640866SB	4	66	SS3090610SP	2	13
B3143057000	22	25	CS0951111SH	14	39	SS5080710SP	14	6
B3144057000	22	40	CS1401011SM	18	12	SS6080710SP	4	53
B3201158000	22	43	CS140101BSP	22	2	SS6081010TP	22	9
B32011580A0	22	42	D1109057A00	26	9	SS6081810SP	14	7
B3202158000A	22	44	D1113057A00	26	5	SS6090630SP	2	7
B3203158000	24	58	D1401057A0BA	26	1	SS6091210TP	12	60
B3204232000	24	49	D1401158A00	26	12	SS6111140SP	10	44
B3205232000	24	50	D1470158AB0	26	6	SS6151440SP	22	8
B3206232000	24	52	D1525057A00	26	8	SS6151920SP	18	2
B3207158000A	22	46	D1602158AA0	26	11	SS6153040SP	18	18
B3208158000	2	46	D1613158A00	26	10	SS6580612TP	14	10
B32081580A0	2	45	MDD100B2500	10	27	SS6661110SP	2	31
B3208232000	24	53	MDD100B2500	26	3	SS6661110SP	14	28
B3210158000	24	55	NS6080210SP	14	8	SS6661310SP	2	30
B3211210000	22	45	NS6080210SP	22	39	SS7080510TP	18	33
B3212210000	22	47	NS6090310SP	12	61	SS7090520SP	22	41
B3214047000	4	51	NS6110310SP	4	54	SS7090540TP	2	15
B3215232000	24	60	NS6110310SP	24	57	SS7090710SP	2	56
B3216047000	4	50	NS6110420SP	18	26	SS7090710SP	4	56
B3218232000	4	49	NS6150430SP	10	40	SS7090910SP	12	54
B3219232000	2	47	NS6150430SP	14	23	SS7090910TP	12	49
B3401057000	4	57	NS6150430SP	22	10	SS7090910TP	26	7
B3403057000	4	58	NS6660430SP	10	37	SS7090910TP	28	35
B3404057000	4	60	NS6680410SN	14	46	SS7090910TP	30	35
B3405057000	4	62	RE0400000K0	14	30	SS7090910TP	32	25
B3406057000	4	64	RE0500000K0	6	23	SS7090910TP	34	5
B3408057000	4	65	RE0500711KP	16	52	SS7110510SP	24	71
B3409057000	4	68	RE0700000K0	10	17	SS7110610SM	2	21
B8230158000	24	64	RE0700000K0	14	43	SS7110720SP	10	3
B82301580A0	24	63	SD0470281SP	22	21	SS7110910SP	4	52
B8231158000	24	65	SD0630241SD	2	18	SS7110910SP	22	18
B8232158000	24	66	SD0701301SP	14	21	SS7111110TP	22	23
B8233158000	24	67	SD0720193SP	24	56	SS7111120SP	2	44
B9117057000	18	36	SD0800431SP	4	59	SS7111710SH	10	47
CM300200003	4	69	SD0800481SP	22	15	SS7111810SP	24	59

NUMERICAL INDEX OF PARTS

PART NO	PAGE	REF NO.	PART NO	PAGE	REF NO.
SS7120410TP	14	35	SS9151440CP	6	7
SS7151610SP	10	24	SS9151440CP	10	16
SS7161040SP	2	42	SS9151440CP	14	17
SS7620610SP	10	28	SS9152130CP	18	10
SS7620610SP	26	2	SS9201813CP	6	34
SS7620610SP	28	33	SS9660810SP	8	54
SS7620610SP	30	33	SS9660810SP	18	42
SS7620610SP	32	23	SS9660910SP	8	53
SS7620610SP	34	3	SS9660910SP	18	41
SS7762840SP	18	16	SS9661610CP	10	34
SS8090410SP	22	35	WP0350516SD	22	13
SS8090540SP	6	44	WP0371016SD	18	34
SS8110510SP	4	67	WP0501016SC	24	70
SS8110510SP	16	51	WP0621026SP	22	12
SS8110510SP	24	48	WP0753016SZ	18	17
SS8110750SP	4	63			
SS8111251SP	16	50			
SS8150510TP	14	40			
SS8150580SP	18	38			
SS8150710SP	18	30			
SS8150710SP	24	62			
SS8150830SP	20	48			
SS8151150SP	24	61			
SS8151230SP	8	60			
SS8151550SP	6	59			
SS8151550SP	8	59			
SS8151550SP	14	38			
SS8151780SP	8	58			
SS8152030SP	6	20			
SS8152030SP	12	52			
SS8152030SP	18	7			
SS8620610TP	8	51			
SS8660530TP	6	27			
SS8660530TP	18	45			
SS8660610TP	2	34			
SS8660610TP	6	31			
SS8660670SP	2	33			
SS8660670SP	6	30			
SS8660670SP	18	44			
SS8660810TP	6	26			
SS8661040TP	14	4			
SS8681650TP	6	37			
SS8701042TP	6	22			
SS9111010SP	10	26			
SS9151440CP	2	36			