

MODEL : LZ-271/LZ-391N

List No : 0011-11

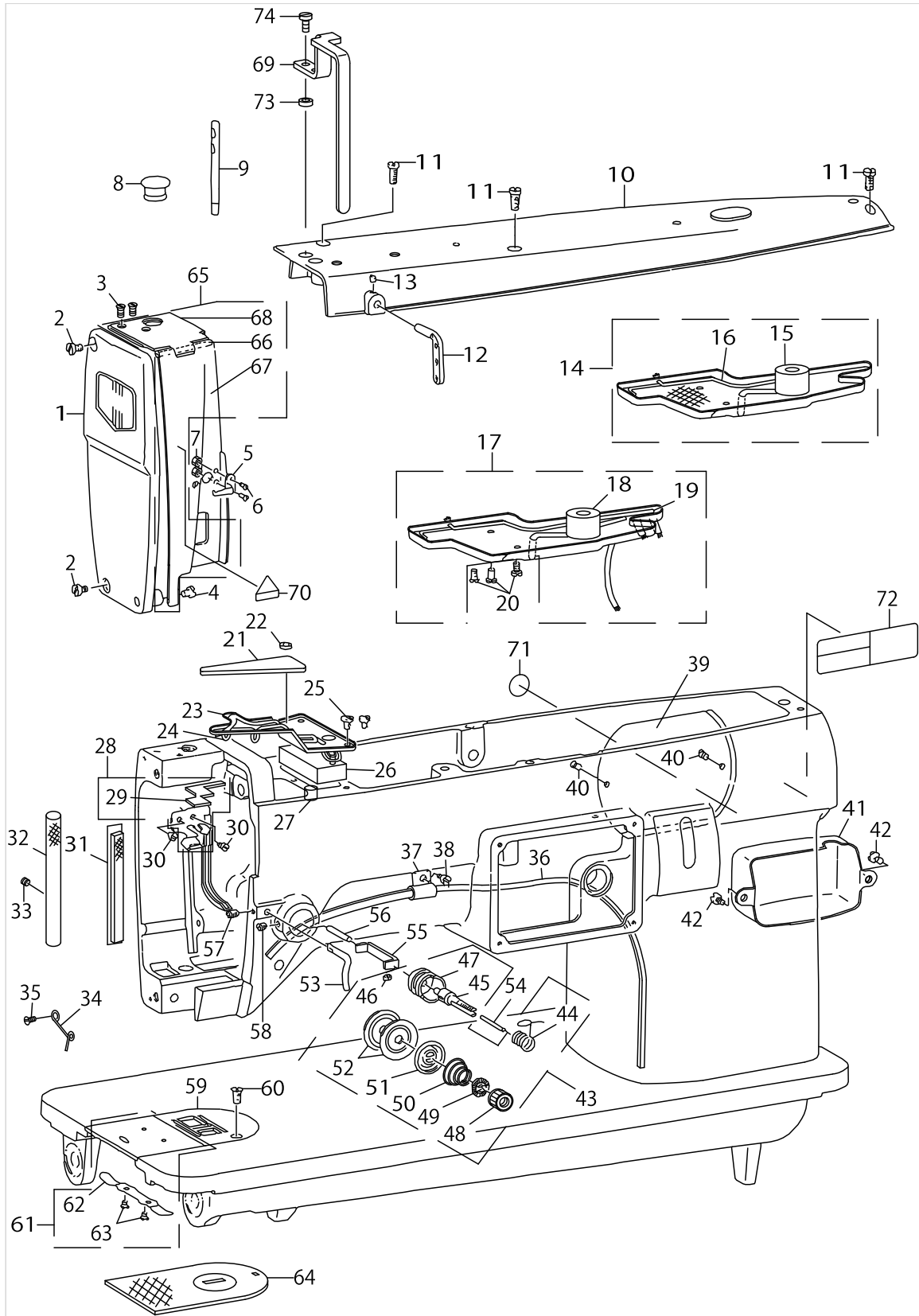
PARTS LIST

Published:09/10/2017

CONTENTS

| | |
|---|----|
| FRAME MISCELLANEOUS COVER COMPONENTS..... | 1 |
| MAIN SHAFT & NEEDLE BAR COMPONENTS..... | 5 |
| UPRIGHT SFAFT & LOWER SHAFT COMPONENTS..... | 9 |
| PRESSER FOOT & FEED & KNEE LIFTER COMPONENTS (FOR LZ-391N)..... | 13 |
| ZIGZAG REGULATOR COMPONENTS..... | 17 |
| KNEE LIFTER & OIL RECEIVER COMPONENTS..... | 21 |
| THREAD STAND COMPONENTS..... | 23 |
| SPECAL ORDER PARTS..... | 25 |
| EXCHANGING PARTS (FOR LZ-391N)..... | 27 |
| EXCHANGING PARTS (FOR LZ-391N)..... | 29 |
| LIST FOR INFORMATION OF CHANGE..... | 30 |
| HOW TO MAKE USE OF THIS PARTS LIST..... | 31 |

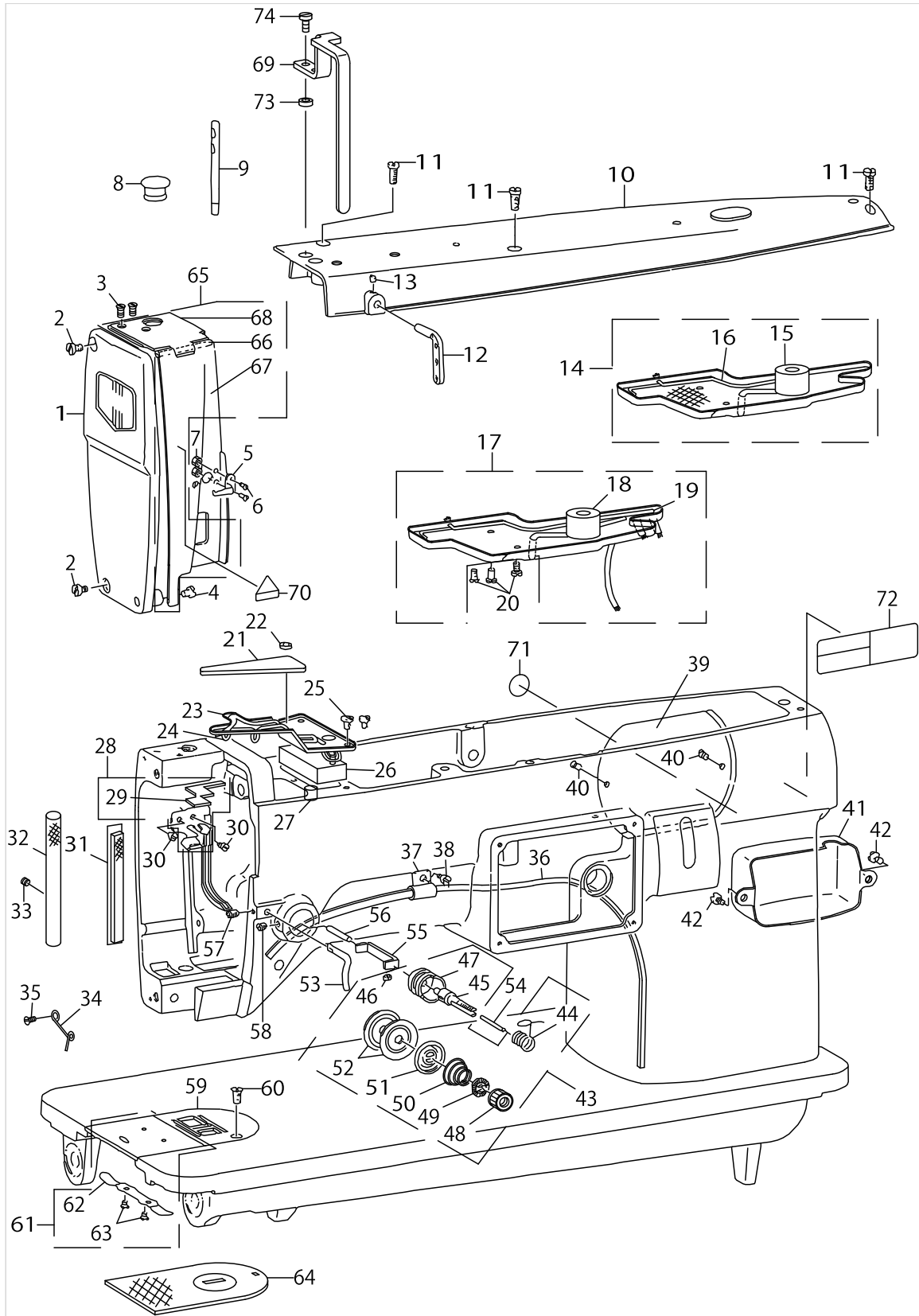
FRAME MISCELLANEOUS COVER COMPONENTS



FRAME MISCELLANEOUS COVER COMPONENTS

| No. | Parts No. | Parts name | Remarks | Level | Cons | Qty |
|-----|--------------|--------------------------------|---------|-------|------|-----|
| 1 | B31012710AA | FACE PLATE ASM. | | | | 1 |
| 2 | SS7091110SP | SCREW 9/64-40 L=10.5 | | | | 2 |
| 3 | SS2090710TP | SCREW 9/64-40 L=7.2 | | | | 2 |
| 4 | SS7090510SP | SCREW 9/64-40 L= 4.6 | | | | 1 |
| 5 | B3107027000 | SIDE PLATE THREAD GUIDE | | | | 1 |
| 6 | SS2060510SP | SCREW 3/32-56 L=4.5 | | | | 2 |
| 7 | NS6060310SP | NUT 3/32-56 | | | | 2 |
| 8 | TA1250705R0 | RUBBER PLUG | | | | 1 |
| 9 | 22958300 | NEEDLE THREAD GUIDE PIN | | | | 1 |
| 10 | B110327100AA | TOP COVER | | | | 1 |
| 11 | SS7111120SP | SCREW 11/64-40 L=10.5 | | | | 3 |
| 12 | B1128522000 | THREE HOLE THREAD EYELET | | | | 1 |
| 13 | SS8090410SP | SCREW 9/64-40 L= 3.5 | | | | 1 |
| 14 | B1178271CD0 | ARM OIL TANK ASM. | | | | 1 |
| 15 | B2615232000 | OIL FELT WASHER | | * | | 1 |
| 16 | CQ200000000 | OIL WICK | | * | | 0.4 |
| 17 | B1178391BD0 | ARM OIL TANK ASM. | | | | 1 |
| 18 | B2615232000 | OIL FELT WASHER | | * | | 1 |
| 19 | CQ200000000 | OIL WICK | | * | | 0.4 |
| 20 | SS6090620SP | SCREW 9/64-40 L=6 | | | | 3 |
| 21 | B1182271000 | OIL PAD | | | | 1 |
| 22 | B3534012000 | GASKET | | | | 1 |
| 23 | B1175271000 | ARM OIL PAD COVER | | | | 1 |
| 24 | CQ202000000 | OIL WICK | | | | 0.6 |
| 25 | SS6090620SP | SCREW 9/64-40 L=6 | | | | 2 |
| 26 | B1177271B00 | OIL PAD (B) | | | | 1 |
| 27 | B1174271000 | OIL PAD | | | | 1 |
| 28 | B11682710A0 | OIL PAD HOLDER ASM. | | | | 1 |
| 29 | B1166271000 | OIL FELT | | * | | 1 |
| 30 | SS6090510TP | SCREW 9/64-40 L= 5.0 | | | | 2 |
| 31 | B1181027000 | PRESSER BAR CONNECTION GASKET | | | | 1 |
| 32 | B1501027000 | JOINT ROD | | | | 1 |
| 33 | SS8110750SP | SCREW 11/64-40 L= 6.5 | | | | 1 |
| 34 | B1137027000 | FRAME THREAD GUIDE LOWER | | | | 1 |
| 35 | SS1060610SP | SCREW 3/32-56 L=5.5 | | | | 1 |
| 36 | B1185271000 | OIL RETURN WICK | | | | 0.5 |
| 37 | B3537122000 | OIL WICK HOLDER | | | | 1 |
| 38 | SS7090520SP | SCREW 9/64-40 L= 4.5 | | | | 1 |
| 39 | B113027100A | SIDE PLATE | | | | 1 |
| 40 | SS2090710TP | SCREW 9/64-40 L=7.2 | | | | 2 |
| 41 | B119639100A | SCREW GEAR SHAFT COVER | | | | 1 |
| 42 | SS7110710SP | SCREW 11/64-40 L=7 | | | | 2 |
| 43 | B31220270A0 | THREAD TENSION CONTROLLER ASM. | | | | 1 |
| 44 | B3128027000 | TAKE UP SPRING | | * | | 1 |
| 45 | B3115552000 | TENSION POST | | * | | 1 |
| 46 | SS8090670SP | SCREW 9/64-40 L= 5.5 | | * | | 1 |
| 47 | B3121027000 | TENSION POST SOCKET | | * | | 1 |

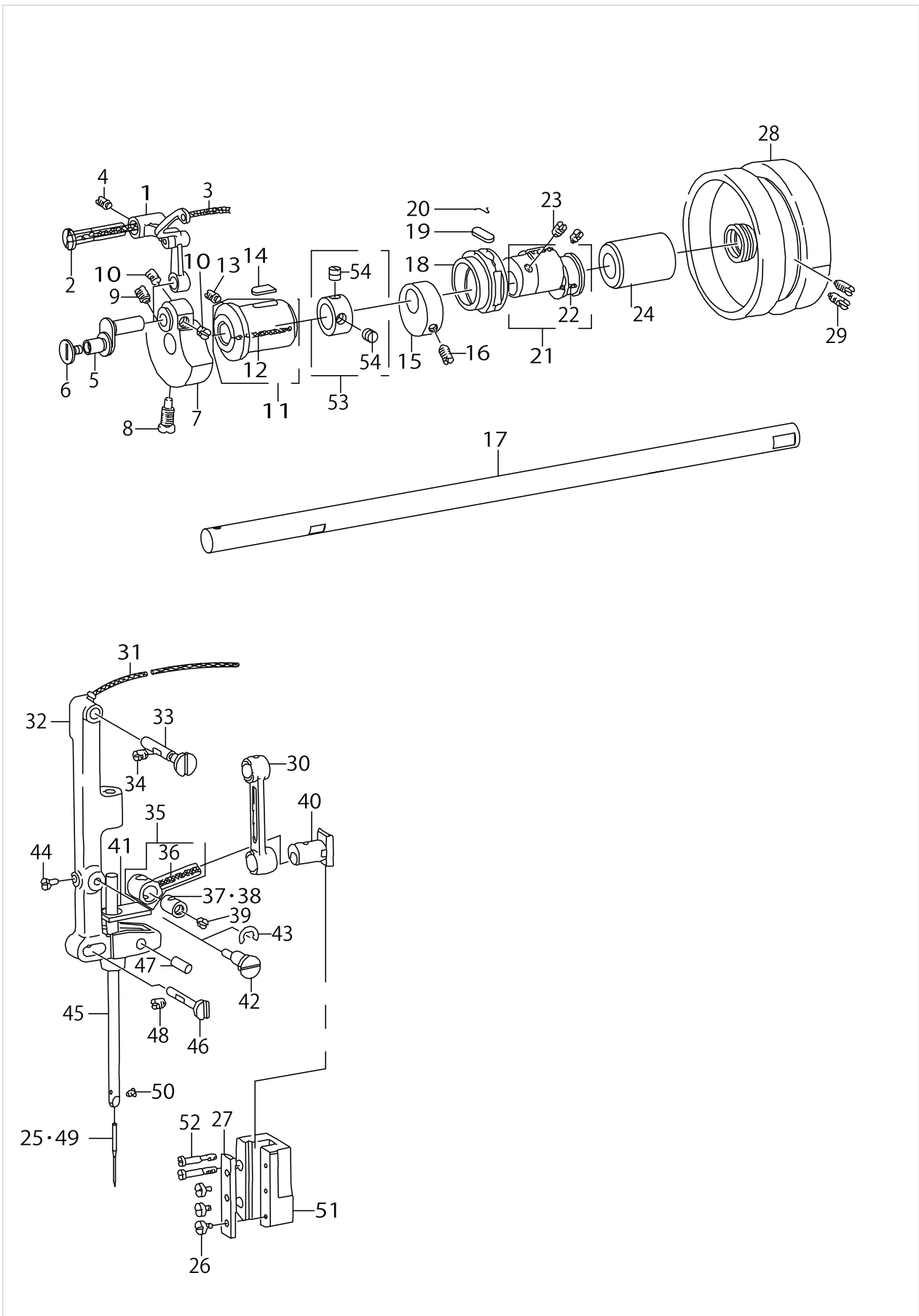
FRAME MISCELLANEOUS COVER COMPONENTS



FRAME MISCELLANEOUS COVER COMPONENTS

| No. | Parts No. | Parts name | Remarks | Level | Cons | Qty |
|-----|-------------|--------------------------------|---------|-------|------|-----|
| 48 | 11072204 | TENSION NUT | | * | | 1 |
| 49 | B3120125000 | ROTATING STOPPER | | * | | 1 |
| 50 | B3129012A00 | TENSION SPRING | | * | | 1 |
| 51 | B3132552000 | THREAD TENSION DISK PRESSER | | * | | 1 |
| 52 | B3126012000 | THREAD TENSION DISK | | * | | 2 |
| 53 | B3108027000 | TENSION POST THREAD GUIDE | | | | 1 |
| 54 | B3127391000 | TENSION RELEASE PLUNGER | | | | 1 |
| 55 | B1528391000 | TENSION RELEASE PIN CONNECTION | | | | 1 |
| 56 | B1527391000 | TENSION RELEASE PIN | | | | 1 |
| 57 | SS8110510SP | SCREW 11/64-40 L=5 | | | | 1 |
| 58 | SS8110750SP | SCREW 11/64-40 L= 6.5 | | | | 1 |
| 59 | B1109391NA0 | THROAT PLATE (N) ASM. | | | | 1 |
| 60 | SS2110920TP | SCREW 11/64-40 L=8.5 | | | | 1 |
| 61 | B11100400A0 | BED SLIDE ASM. | | | | 1 |
| 62 | B1111012000 | BED SLIDE SPRING | | * | | 1 |
| 63 | SS6060210SP | SCREW 3/32-56 L= 1.9 | | * | | 2 |
| 64 | B1109027AA0 | THROAT PLATE ASM. | | | | 1 |
| 65 | B31042710AA | SIDE PLATE ASM. URBAN WHITE | | | | 1 |
| 66 | B3106027C00 | FACE PLATE SIDE PLATE SHAFT | | * | | 1 |
| 67 | B310427100A | FACE PLATE | | * | | 1 |
| 68 | B310527100A | UPPER PLATE | | * | | 1 |
| 69 | 40011109 | TENSION COVER | | | | 1 |
| 70 | CM300200001 | ATTENTION SEAL | | | | 1 |
| 71 | 22901805 | GROUND MARK | | | | 1 |
| 72 | CM301300001 | SAFETY LABEL | | | | 1 |
| 73 | B3013141H0A | WASHER | | | | 2 |
| 74 | SS6111010TP | SCREW 11/64-40 L= 9.5 | | | | 2 |

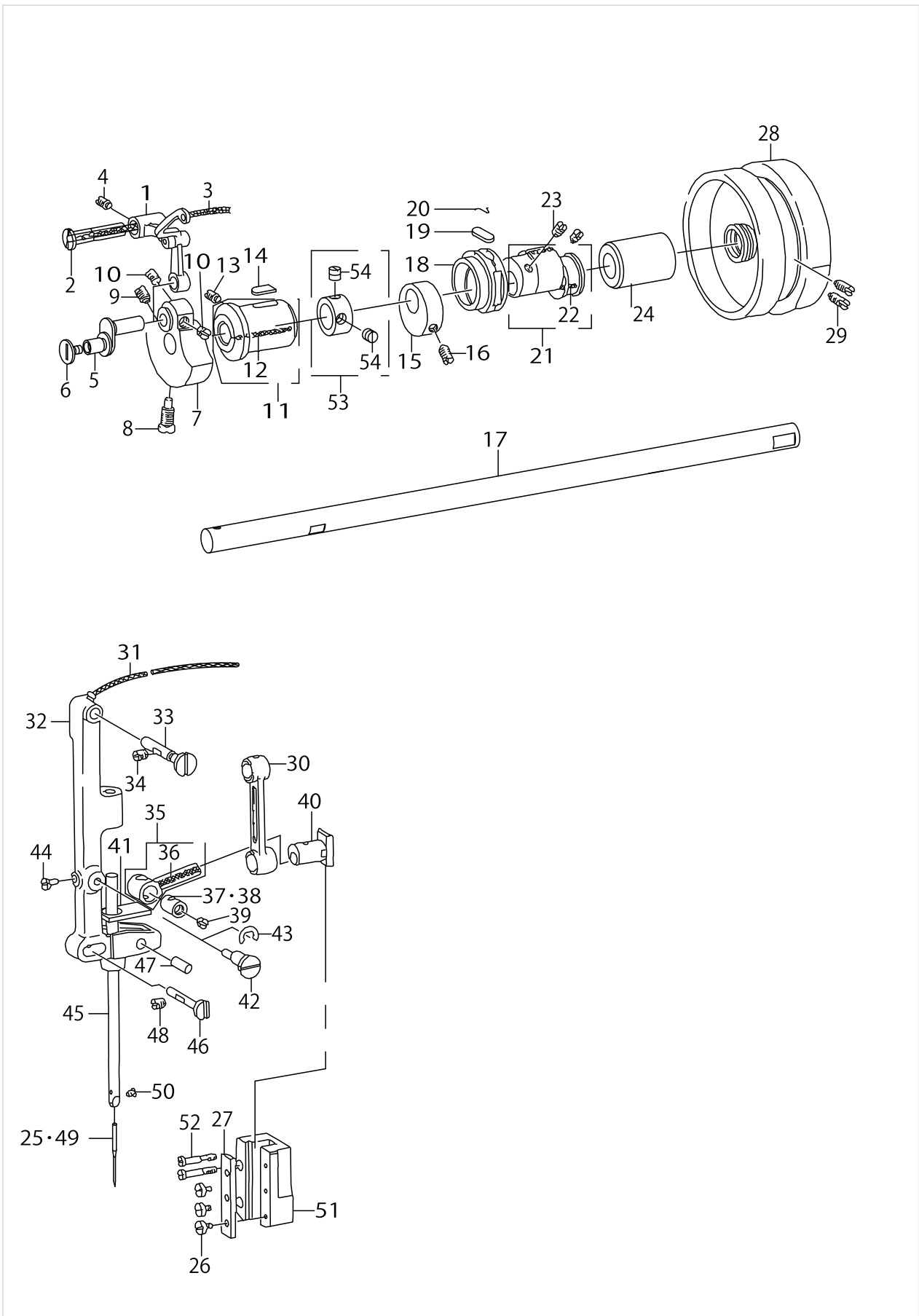
MAIN SHAFT & NEEDLE BAR COMPONENTS



MAIN SHAFT & NEEDLE BAR COMPONENTS

| No. | Parts No. | Parts name | Remarks | Level | Cons | Qty |
|-----|--------------|--------------------------------|---------|-------|------|-----|
| 1 | B19110270B0 | THREAD TAKE-UP LEVER ASM. | | | | 1 |
| 2 | B1913271000 | TAKE-UP LEVER PIN | | | | 1 |
| 3 | CQ202000000 | OIL WICK | | | | 0.2 |
| 4 | SS8151150SP | SCREW 15/64-28 L=10.5 | | | | 1 |
| 5 | B1209027000 | NEEDLE BAR CRANK | | | | 1 |
| 6 | B1208027000 | END SCREW | | | | 1 |
| 7 | B1206271000A | COUNTERWEIGHT | | | | 1 |
| 8 | SS7681750TP | SCREW 9/32-28 L=16.5 | | | | 1 |
| 9 | SS8681130SP | SCREW 9/32-28 L=11 | | | | 1 |
| 10 | SS8660610TP | SCREW 1/4-40 L=6 | | | | 2 |
| 11 | B12022710A0 | MAIN SHAFT BUSHING ASM. ,FRONT | | | | 1 |
| 12 | CQ202000000 | OIL WICK | | * | | 0.1 |
| 13 | SS8151150SP | SCREW 15/64-28 L=10.5 | | | | 1 |
| 14 | B1203012000 | OIL FELT | | | | 1 |
| 15 | B1240271000 | AUXILIARY COUNTERWEIGHT ASM. | | | | 1 |
| 16 | SS8151550SP | SCREW 15/64-28 L=15 | | | | 1 |
| 17 | B1201271000A | UPPER SHAFT | | | | 1 |
| 18 | B1211226000 | ECCENTRIC RETAINER HOUSING | | | | 1 |
| 19 | B1212012000 | OIL FELT | | | | 1 |
| 20 | B1213012000 | FELT RETAINER | | | | 1 |
| 21 | B12100400B0 | FEED ECCENTRIC CAM ASM. | | | | 1 |
| 22 | CQ202000000 | OIL WICK | | * | | 0.1 |
| 23 | SS8150710SP | SCREW 15/64-28 L=7 | | | | 2 |
| 24 | B1212271000 | UPPER SHAFT REAR METAL | | | | 1 |
| 25 | MDB1B0B1100 | NEEDLE DBX1 #11B | | | | 1 |
| 26 | SS7081310SP | SCREW 1/8-44 L=12.5 | | | | 3 |
| 27 | B1413271000 | POSITION PLATE | | | | 1 |
| 28 | B121339100AA | HAND WHEEL | | | | 1 |
| 29 | SS8151550SP | SCREW 15/64-28 L=15 | | | | 2 |
| 30 | B1408271B00 | NEEDLE BAR CRANK CONNECTING RO | | | | 1 |
| 31 | CQ300000000 | OIL WICK | | | | 0.4 |
| 32 | B1421271000 | NEEDLE BAR FRAME | | | | 1 |
| 33 | B1422027000 | HINGE PIN | | | | 1 |
| 34 | SS8150710SP | SCREW 15/64-28 L=7 | | | | 1 |
| 35 | B14112710A0 | NEEDLE BAR CONNECTION ASM. | | | | 1 |
| 36 | CQ252000000 | OIL WICK | | * | | 0.1 |
| 37 | B1427271000 | BUSHING | | | | 1 |
| 38 | B142727100A | NEEDLE BAR OIL SHAFT | | | | 1 |
| 39 | SS8150410SP | SCREW 15/64-28 L=4 | | | | 1 |
| 40 | B1414271B00 | ECCENTRIC SLIDER (B) | | | | 1 |
| 41 | B1434027000 | OIL PAD | | | | 1 |
| 42 | B1429027000 | ECCENTRIC STUD | | | | 1 |
| 43 | RE0600000K0 | E-RING 6 | | | | 1 |
| 44 | SS7110710SP | SCREW 11/64-40 L=7 | | | | 1 |
| 45 | B1401271000 | NEEDLE BAR | | | | 1 |
| 46 | B1424027000 | NEEDLE BAR FRAME GUIDE PIN | | | | 1 |
| 47 | B1432027000 | OIL PAD ROLLER | | | | 1 |

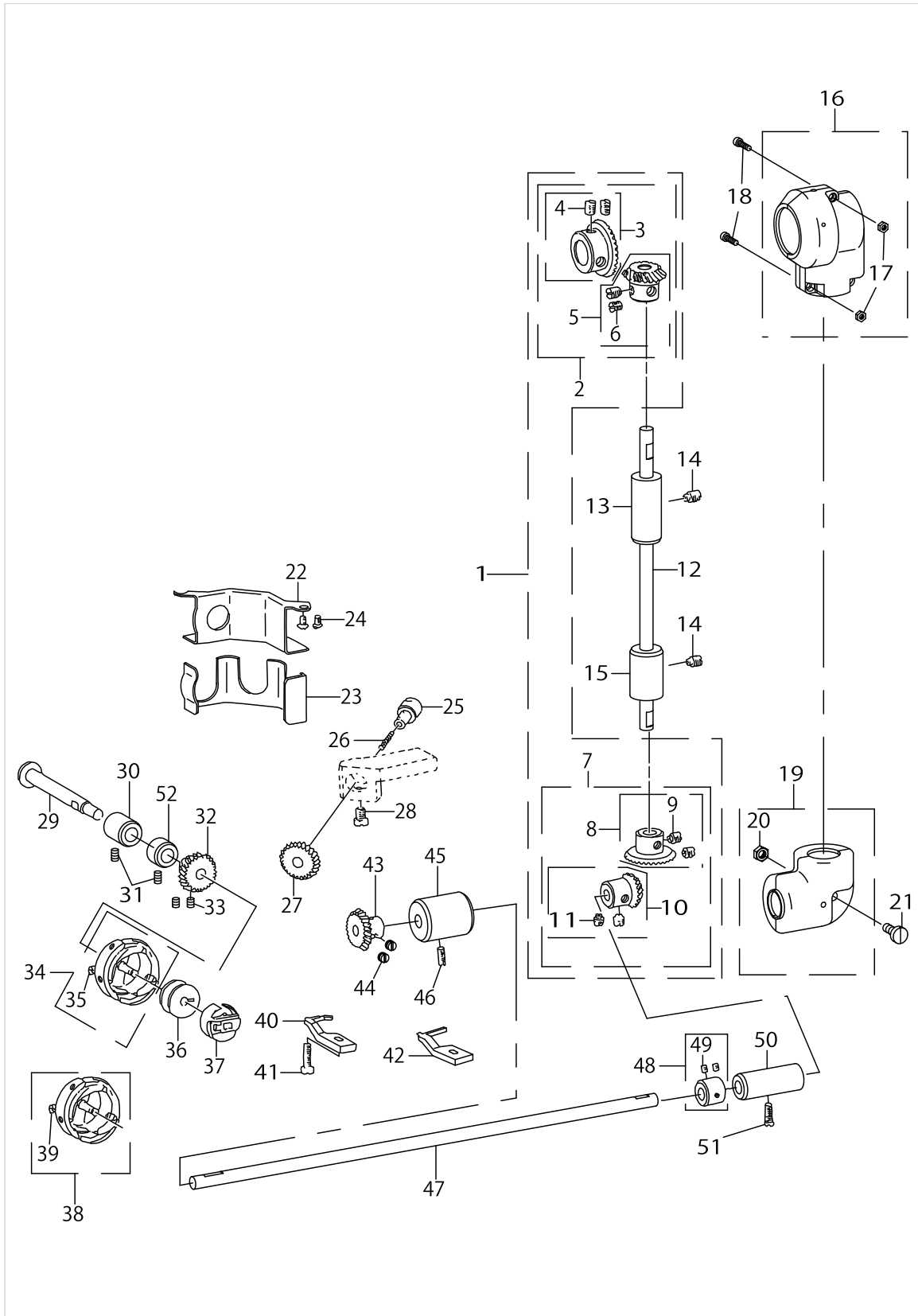
MAIN SHAFT & NEEDLE BAR COMPONENTS



MAIN SHAFT & NEEDLE BAR COMPONENTS

| No. | Parts No. | Parts name | Remarks | Level | Cons | Qty |
|-----|-------------|-------------------------------|---------|-------|------|-----|
| 48 | SS8150710SP | SCREW 15/64-28 L=7 | | | | 1 |
| 49 | MDB1B0B1400 | NEEDLE DBX1B #14 | | | | 1 |
| 50 | SS6080360SP | SCREW | | | | 1 |
| 51 | B1415271B00 | BRACKET | | | | 1 |
| 52 | SS6092120SP | SCREW 9/64-40 L=21.2 | | | | 2 |
| 53 | 22904155 | MAIN SHAFT THRUST COLLAR ASM. | | | | 1 |
| 54 | SS8660610TP | SCREW 1/4-40 L=6 | | * | | 2 |

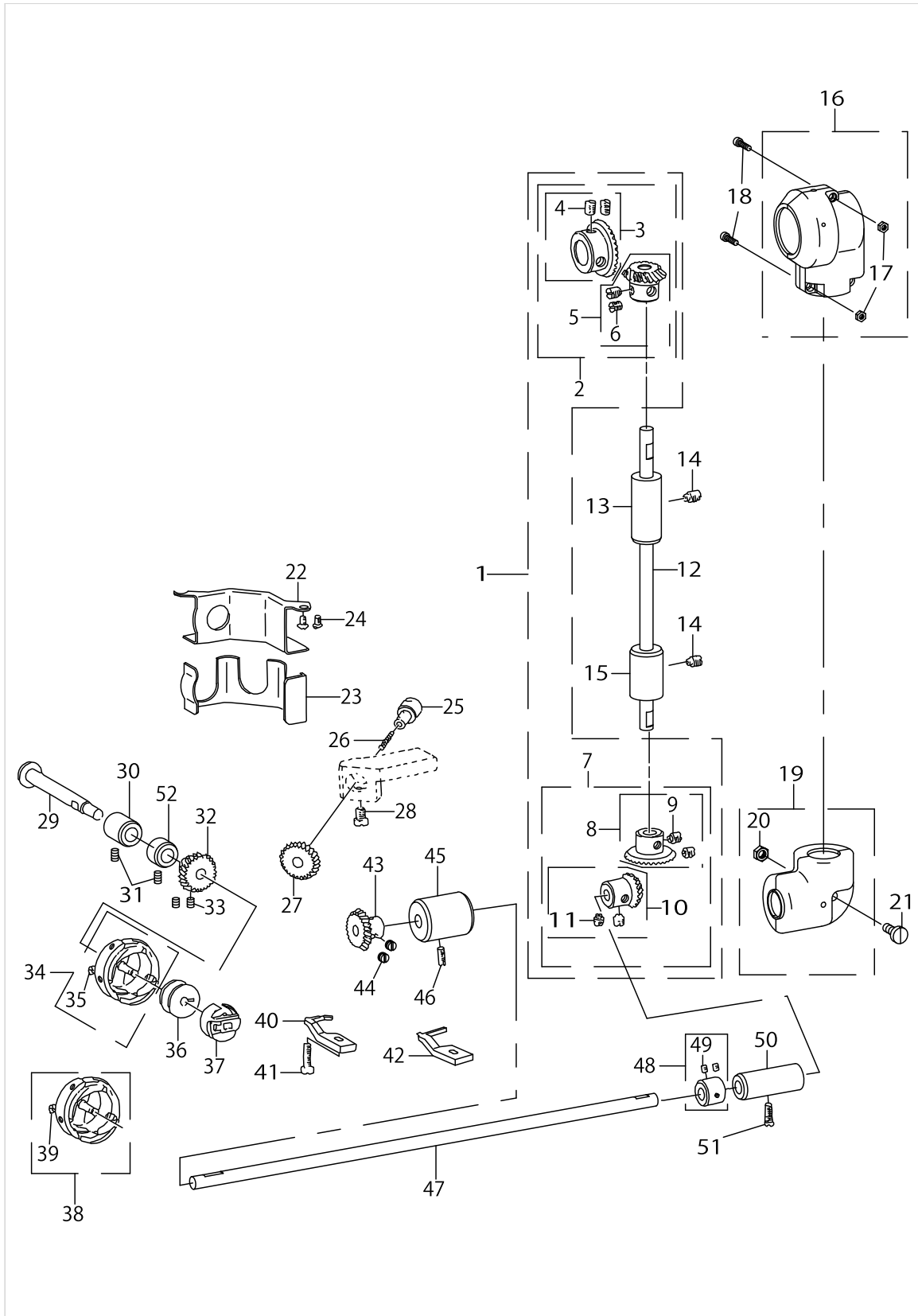
UPRIGHT SFAFT & LOWER SHAFT COMPONENTS



UPRIGHT SFAFT & LOWER SHAFT COMPONENTS

| No. | Parts No. | Parts name | Remarks | Level | Cons | Qty |
|-----|--------------|--------------------------------|---------|-------|------|-----|
| 1 | B13061550C0 | GEAR & PINION ASM. | | | | 1 |
| 2 | B13061550B0 | GEAR & PINION ASM., UPPER | | * | | 1 |
| 3 | B13050120A0 | GEAR ASM. | | * | | 1 |
| 4 | SS8660810TP | SCREW 1/4-40 L=8 | | * | | 2 |
| 5 | B13061550A0 | PINION ASM. | | * | | 1 |
| 6 | SS8660810TP | SCREW 1/4-40 L=8 | | * | | 2 |
| 7 | B13071550D0 | GEAR & PINION ASM. LOWER | | * | | 1 |
| 8 | B13071550A0 | GEAR ASM. LARGE | | * | | 1 |
| 9 | SS8660810TP | SCREW 1/4-40 L=8 | | * | | 2 |
| 10 | B13081550A0 | PINION ASM. | | * | | 1 |
| 11 | SS8660810TP | SCREW 1/4-40 L=8 | | * | | 2 |
| 12 | B1304271000 | UPRIGHT SHAFT | | | | 1 |
| 13 | B1302271000 | UPRIGHT SHAFT BUSHING,UPPER | | | | 1 |
| 14 | SS8151150SP | SCREW 15/64-28 L=10.5 | | | | 2 |
| 15 | B1303271000 | BUSHING, LOWER | | | | 1 |
| 16 | B13052710A0 | GEAR CASE ASM. UPPER | | | | 1 |
| 17 | NM6030002SC | NUT M3 | | * | | 2 |
| 18 | SM6031202TP | SCREW M3X0.5 L=12 | | | | 2 |
| 19 | B13072710A0 | PINION CASE ASM. | | | | 1 |
| 20 | NM6050003SC | NUT M5X0.8 | | * | | 1 |
| 21 | SM6051410SC | SCREW M5X0.8 L=14 | | | | 1 |
| 22 | B1865391C00 | HELICAL GEAR COVER (C) | | | | 1 |
| 23 | B1864391C00 | HELICAL GEAR CASE (C) | | | | 1 |
| 24 | SS3090610SP | SCREW 9/64-40 L=6 | | | | 2 |
| 25 | B1838391C00 | HELICAL GEAR SHAFT INTERMEDIAT | | | | 1 |
| 26 | CQ300000000 | OIL WICK | | | | 0.1 |
| 27 | B1852391C00 | HELICAL GEAR, INTERMEDIATE | | | | 1 |
| 28 | SS7150940SP | SCREW 15/64-28 L=9 | | | | 1 |
| 29 | B1850391B00 | HOOK SHAFT (B) | | | | 1 |
| 30 | B1813271000 | HOOK SHAFT BUSHING (A) | | | | 1 |
| 31 | SS8110750SP | SCREW 11/64-40 L= 6.5 | | | | 2 |
| 32 | B1853391C00 | HERICAL GEAR, LEFT | | | | 1 |
| 33 | SS8110410TP | SCREW 11/64-40 L= 3.5 | | | | 2 |
| 34 | B18307100A0 | HOOK ASM. | | | | 1 |
| 35 | SS6110460SP | SCREW 11/64-40 L=4 | | * | | 3 |
| 36 | 22932909 | BOBBIN | | | | 1 |
| 37 | B18370270A0 | BOBBIN CASE ASM. | | | | 1 |
| 38 | B18300270A0 | SEWING HOOK ASM. | | | | 1 |
| 39 | SS6110460TP | SCREW 11/64-40 L=4 | | * | | 3 |
| 40 | B1835039000 | BOBBIN CASE POSITIONING FINGER | | | | 1 |
| 41 | SS6111620SP | SCREW 11/64-40 L=16.0 | | | | 1 |
| 42 | B1835027000 | BOBBIN CASE POSITIONING FINGER | | | | 1 |
| 43 | B1851391C00A | HERICAL GEAR, RIGHT | | | | 1 |
| 44 | SS8110410TP | SCREW 11/64-40 L= 3.5 | | | | 2 |
| 45 | B1805271000 | LOWER SHAFT BUSHING,FRONT | | | | 1 |
| 46 | SS6111440SP | SCREW 11/64-40 L=14.0 | | | | 1 |
| 47 | B1804271000 | LOWER SHAFT | | | | 1 |

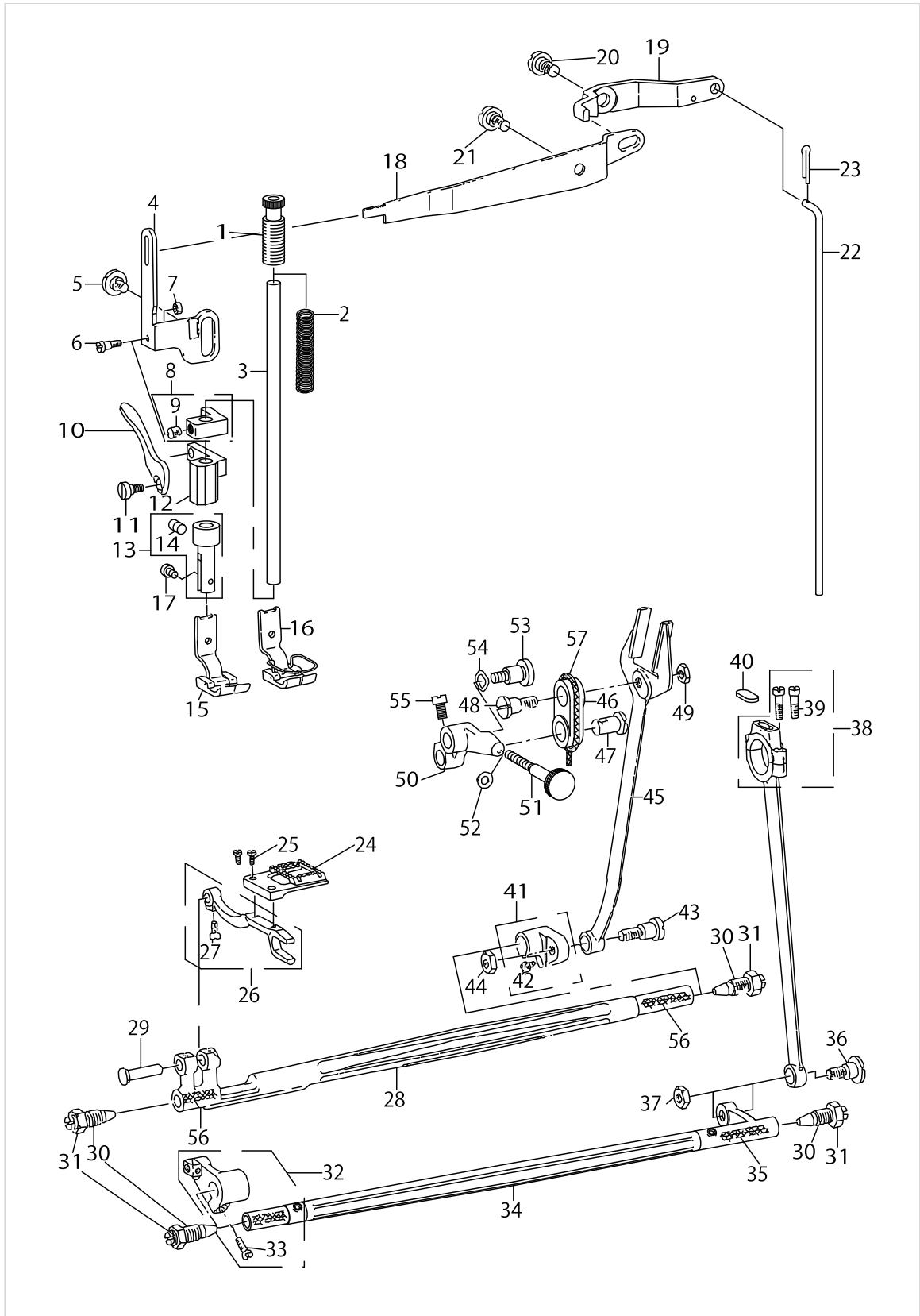
UPRIGHT SHAFT & LOWER SHAFT COMPONENTS



UPRIGHT SFAFT & LOWER SHAFT COMPONENTS

| No. | Parts No. | Parts name | Remarks | Level | Cons | Qty |
|-----|-------------|--------------------------------|---------|-------|------|-----|
| 48 | CS0791010SH | THRUST COLLAR ASM. D=7.94 W=10 | | | | 1 |
| 49 | SS8110520TP | SCREW 11/64-40 L= 4.5 | | * | | 2 |
| 50 | B1806271000 | LOWER SHAFT BUSHING,REAR | | | | 1 |
| 51 | SS6111110SP | SCREW 11/64-40 L=11.0 | | | | 1 |
| 52 | B1814271000 | HOOK SHAFT BUSHING (B) | | | | 1 |

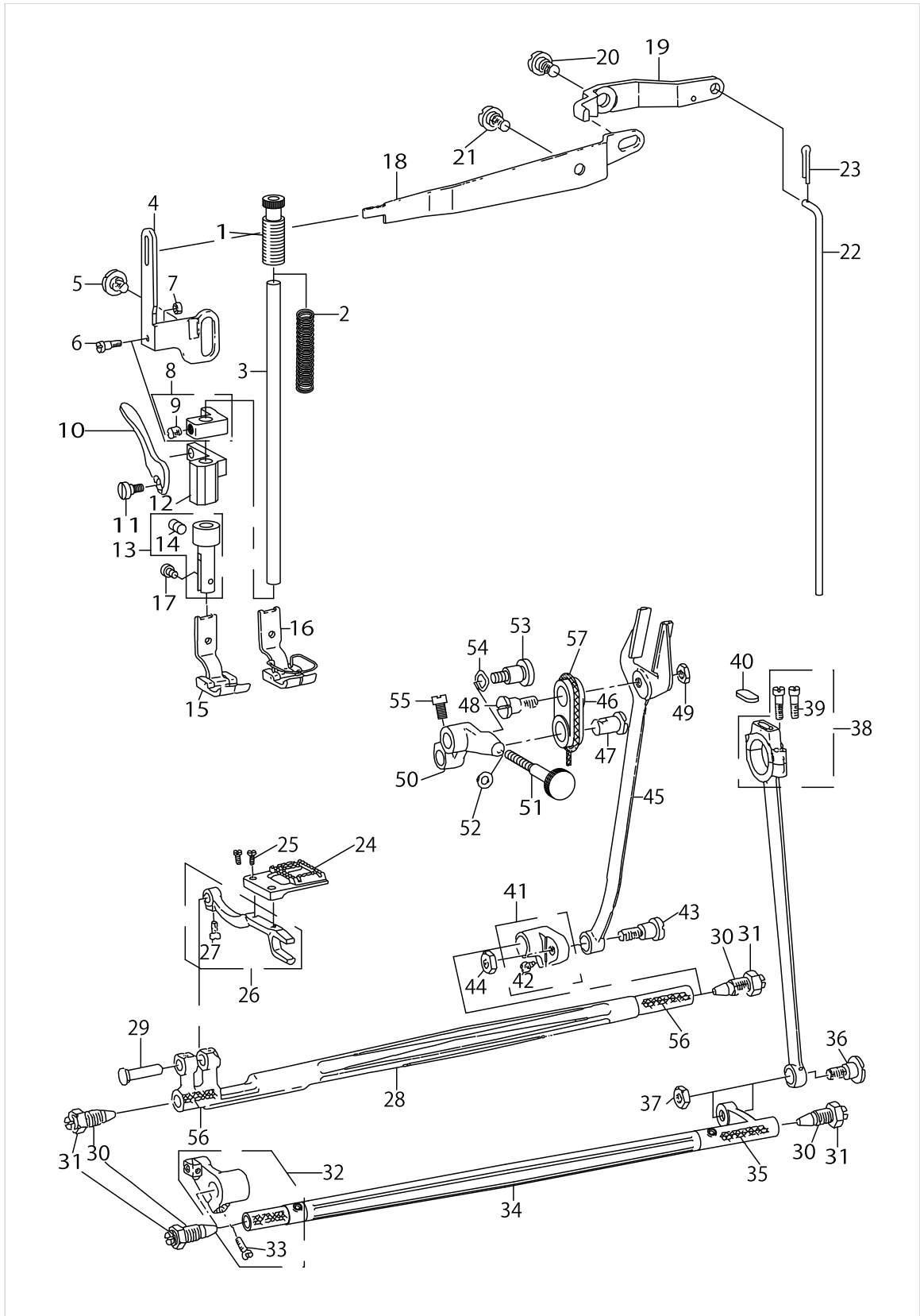
PRESSER FOOT & FEED & KNEE LIFTER COMPONENTS (FOR LZ-391N)



PRESSER FOOT & FEED & KNEE LIFTER COMPONENTS (FOR LZ-391N)

| No. | Parts No. | Parts name | Remarks | Level | Cons | Qty |
|-----|--------------|--------------------------------|---------|-------|------|-----|
| 1 | 40009129 | PRESSER SPRING REGULATOR | | | | 1 |
| 2 | B1505040000 | PRESSER SPRING | | | | 1 |
| 3 | B1501391000 | PRESSER BAR, JOINT ROD TYPE | | | | 1 |
| 4 | B1518040000 | LIFTING LEVER | | | | 1 |
| 5 | SD0920321SP | HINGE SCREW D= 9.20 H= 3.2 | | | | 1 |
| 6 | SD0460571CP | HINGE SCREW D=4.6 H=5.7 | | | | 1 |
| 7 | NS6110310SP | NUT 11/64-40 | | | | 1 |
| 8 | B15070400A0 | PRESSER BAR GUIDE BRACKET ASM. | | | | 1 |
| 9 | SS8150710SP | SCREW 15/64-28 L=7 | | * | | 1 |
| 10 | A1512007000 | HAND LIFTER | | | | 1 |
| 11 | SD0700251SP | HINGE SCREW D= 7 H= 2.5 | | | | 1 |
| 12 | B1511040000 | HAND LIFTER LEVER BRACKET | | | | 1 |
| 13 | B1502391AA0 | PRESSER BAR JOINT ROD (A) ASM. | | | | 1 |
| 14 | SS8660530TP | SCREW 1/4-40 L= 4.5 | | * | | 1 |
| 15 | B1524391DA0 | PRESSER FOOT ASM. (D) | | | | 1 |
| 16 | B1524391DB0 | PRESSER FOOT ASM. | | | | 1 |
| 17 | SS6090910SP | SCREW 9/64-40 L=9 | | | | 1 |
| 18 | B3406391000A | KNEE LIFTING LEVER | | | | 1 |
| 19 | B3407391000 | KNEE LIFTING REAR LEVER | | | | 1 |
| 20 | SD0790361SP | HINGE SCREW D= 7.94 H= 3.6 | | | | 1 |
| 21 | SD0790361SP | HINGE SCREW D= 7.94 H= 3.6 | | | | 1 |
| 22 | B3413391A00A | LIFTING ROD | | | | 1 |
| 23 | PD020150000 | SPLIT PIN | | | | 1 |
| 24 | B1613391N00 | FEED DOG (N) | | | | 1 |
| 25 | SS4080620TP | SCREW 1/8-44 L=6 | | | | 2 |
| 26 | B16020400A0 | FEED BRACKET ASM. | | | | 1 |
| 27 | SS4090810SP | SCREW 9/64-40 L=8 | | * | | 1 |
| 28 | B1601391B00 | FEED ROCK SHAFT (B) | | | | 1 |
| 29 | B1604391B00 | FEED BAR SHAFT (B) | | | | 1 |
| 30 | B1113012000 | CENTER SCREW | | | | 4 |
| 31 | NS6740510SP | NUT 3/8-28 | | | | 4 |
| 32 | B17060120B0 | FEED DRIVING SHAFT CRANK ASM. | | | | 1 |
| 33 | SS7111410SP | SCREW 11/64-40 L=14 | | * | | 1 |
| 34 | B1705141H00 | FEED DRIVING SHAFT | | | | 1 |
| 35 | CQ202000000 | OIL WICK | | | | 0.1 |
| 36 | SD1020701SP | HINGE SCREW D=10.2 H=7 | | | | 1 |
| 37 | NS6680410SP | NUT 9/32-28 | | | | 1 |
| 38 | B17010400A0 | CONNECTING ROD ASM. | | | | 1 |
| 39 | SS6121610TP | SCREW 3/16-28 L=15.5 | | * | | 2 |
| 40 | B1702012000 | OIL FELT | | | | 1 |
| 41 | B16120120A0 | FEED ROCK SHAFT CRANK ASM. | | | | 1 |
| 42 | SS7111410SP | SCREW 11/64-40 L=14 | | * | | 1 |
| 43 | SD1020961SP | HINGE SCREW D=10.2 H=9.6 | | | | 1 |
| 44 | NS6680410SP | NUT 9/32-28 | | | | 1 |
| 45 | B1614040000 | PITMAN FOR KED ROD (A) | | | | 1 |
| 46 | B2119271BA0 | ZIGZAG REGULATOR STUD B ASM. | | | | 1 |
| 47 | B1618226000 | HINGE PIN | | | | 1 |

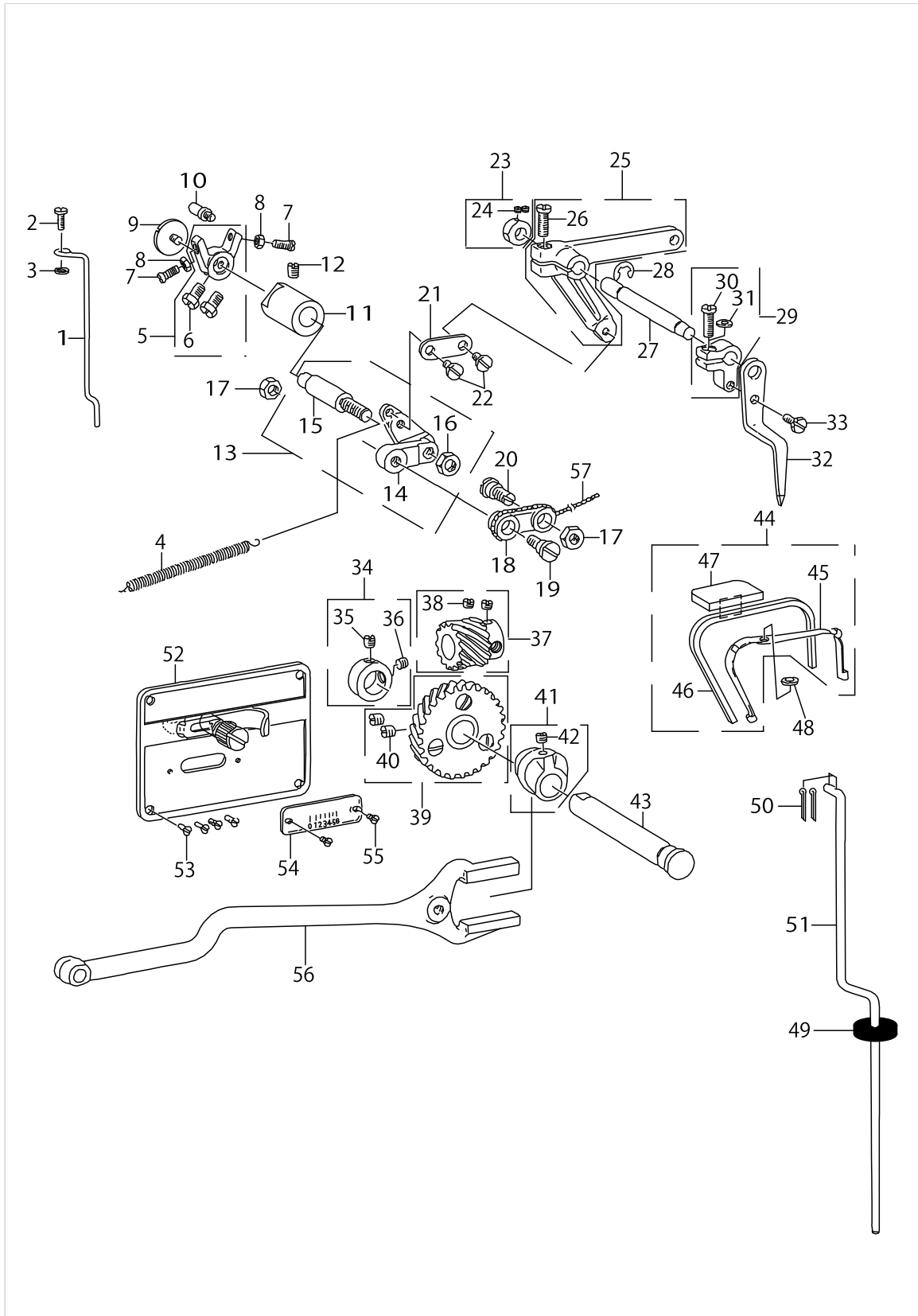
PRESSER FOOT & FEED & KNEE LIFTER COMPONENTS (FOR LZ-391N)



PRESSER FOOT & FEED & KNEE LIFTER COMPONENTS (FOR LZ-391N)

| No. | Parts No. | Parts name | Remarks | Level | Cons | Qty |
|-----|--------------|----------------------------|---------|-------|------|-----|
| 48 | SD0950802SH | HINGE SCREW D= 9.53 H= 8 | | | | 1 |
| 49 | NS6680410SP | NUT 9/32-28 | | | | 1 |
| 50 | B1622391000A | FEED REGULATOR | | | | 1 |
| 51 | B1628040000 | FEED REGULATOR KNOB | | | | 1 |
| 52 | WP0501016SD | WASHER 5X10.5X1 | | | | 1 |
| 53 | SD1021251SP | HINGE SCREW D=10.20 H=12.5 | | | | 1 |
| 54 | WZ1052010KP | WAVED WASHER | | | | 1 |
| 55 | SS6661110SP | SCREW 1/4-40 L=11 | | | | 1 |
| 56 | CQ202000000 | OIL WICK | | | | 0.1 |
| 57 | CQ202000000 | OIL WICK | | | | 0.1 |

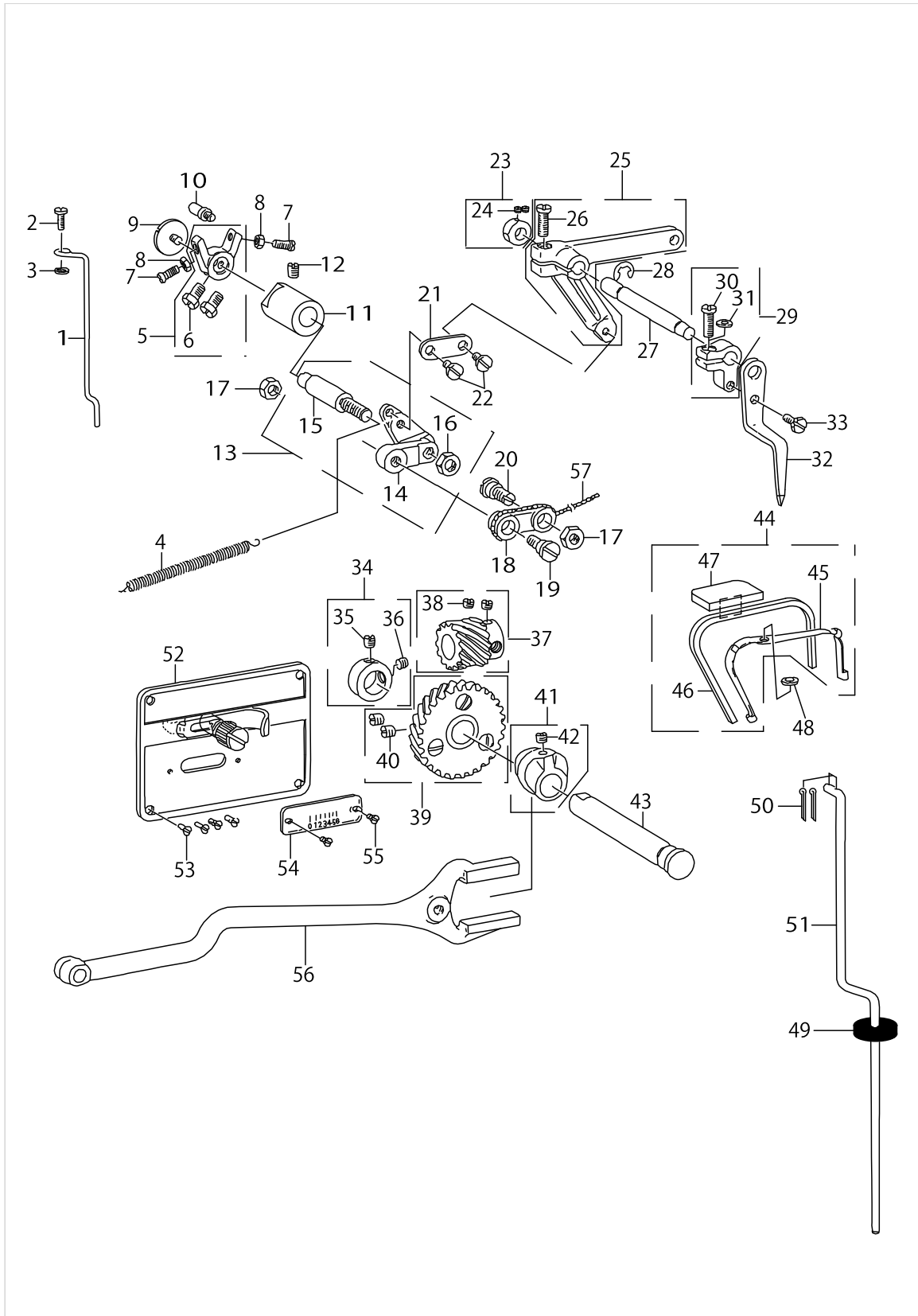
ZIGZAG REGULATOR COMPONENTS



ZIGZAG REGULATOR COMPONENTS

| No. | Parts No. | Parts name | Remarks | Level | Cons | Qty |
|-----|--------------|--------------------------------|---------|-------|------|-----|
| 1 | B3412271000 | LIFTING SPRING CATCH | | | | 1 |
| 2 | SS7091110SP | SCREW 9/64-40 L=10.5 | | | | 1 |
| 3 | WP0371016SD | WASHER 3.7X8X1 | | | | 1 |
| 4 | B3419271000 | LIFTING SPRING | | | | 1 |
| 5 | B21142710A0 | ZIGZAG REGULATOR STUD COLLAR A | | | | 1 |
| 6 | SS9660720SP | SCREW 1/4-40 L=7 | | * | | 2 |
| 7 | SS6111110SP | SCREW 11/64-40 L=11.0 | | | | 2 |
| 8 | NS6110310SP | NUT 11/64-40 | | | | 2 |
| 9 | B1630027000 | ZIGZAG REGULATOR STUD FORCING | | | | 1 |
| 10 | B1631012B00 | SUSPENSION STUD B | | | | 1 |
| 11 | B2129271B00A | ZIGZAG REGUL. STUD BUSHING (B) | | | | 1 |
| 12 | SS8150710SP | SCREW 15/64-28 L=7 | | | | 1 |
| 13 | B21072710A0 | ZIGZAG REGULATOR ASM. | | | | 1 |
| 14 | B2107271000 | ZIGZAG REGULATOR ASM. | | * | | 1 |
| 15 | B2108271000 | ZIGZAG REGULATOR STUD | | * | | 1 |
| 16 | NS6700420SP | NUT 5/16-24 | | * | | 1 |
| 17 | NS6680410SP | NUT 9/32-28 | | | | 2 |
| 18 | B2119271BA0 | ZIGZAG REGULATOR STUD B ASM. | | | | 1 |
| 19 | SD0950802SH | HINGE SCREW D= 9.53 H= 8 | | | | 1 |
| 20 | SD0950806SH | HINGE SCREW D= 9.53 H= 8 | | | | 1 |
| 21 | B2115271000 | NEEDLE THROW LINK | | | | 1 |
| 22 | SD0640231SP | HINGE SCREW D= 6.35 H= 2.3 | | | | 2 |
| 23 | CS079072BTH | THRUST COLLAR ASM. | | | | 1 |
| 24 | SS8090410SP | SCREW 9/64-40 L= 3.5 | | * | | 2 |
| 25 | B21202710A0 | LIFTING CRANK ASM. | | | | 1 |
| 26 | SS6121610TP | SCREW 3/16-28 L=15.5 | | * | | 1 |
| 27 | B2122271000 | LIFTING CRANK SHAFT | | | | 1 |
| 28 | RE0500000K0 | E-RING | | | | 1 |
| 29 | B21092710A0 | INDICATOR BEARING BRACKET ASM. | | | | 1 |
| 30 | SS7121410TP | SCREW 3/16-28 L=14 | | * | | 1 |
| 31 | WP0480856SP | WASHER 4.8X8.4X0.8 | | * | | 1 |
| 32 | B2110271000 | INDICATOR | | | | 1 |
| 33 | SS9121340CP | SCREW 3/16-28 L=13 | | | | 1 |
| 34 | CS128101ASH | THRUST COLLAR ASM. D=12.8 W=10 | | | | 1 |
| 35 | SS8150510TP | SCREW 15/64-28 L= 4.7 | | * | | 1 |
| 36 | SS8150410TP | SCREW 15/64-28 L= 4.0 | | * | | 1 |
| 37 | B21012710A0 | BEVEL GEAR ASM., SMALL | | | | 1 |
| 38 | SS8660410SP | SCREW 1/4-40 L= 4.2 | | * | | 2 |
| 39 | B21022710A0 | BEVEL GEAR ASM., LARGE | | | | 1 |
| 40 | SS8660810TP | SCREW 1/4-40 L=8 | | * | | 2 |
| 41 | B12102710A0 | ZIGZAG TRIANGULAR CAM ASM. | | | | 1 |
| 42 | SS8151150SP | SCREW 15/64-28 L=10.5 | | * | | 1 |
| 43 | B2103271B00 | BEVEL GEAR SHAFT (B) | | | | 1 |
| 44 | B11902710A0 | OIL PAD HOLDER ASM. | | | | 1 |
| 45 | B1190271000 | OIL PAD HOLDER | | * | | 1 |
| 46 | B1191271000 | OIL FELT (A) | | * | | 1 |
| 47 | B1192271000 | OIL FELT (B) | | * | | 1 |

ZIGZAG REGULATOR COMPONENTS

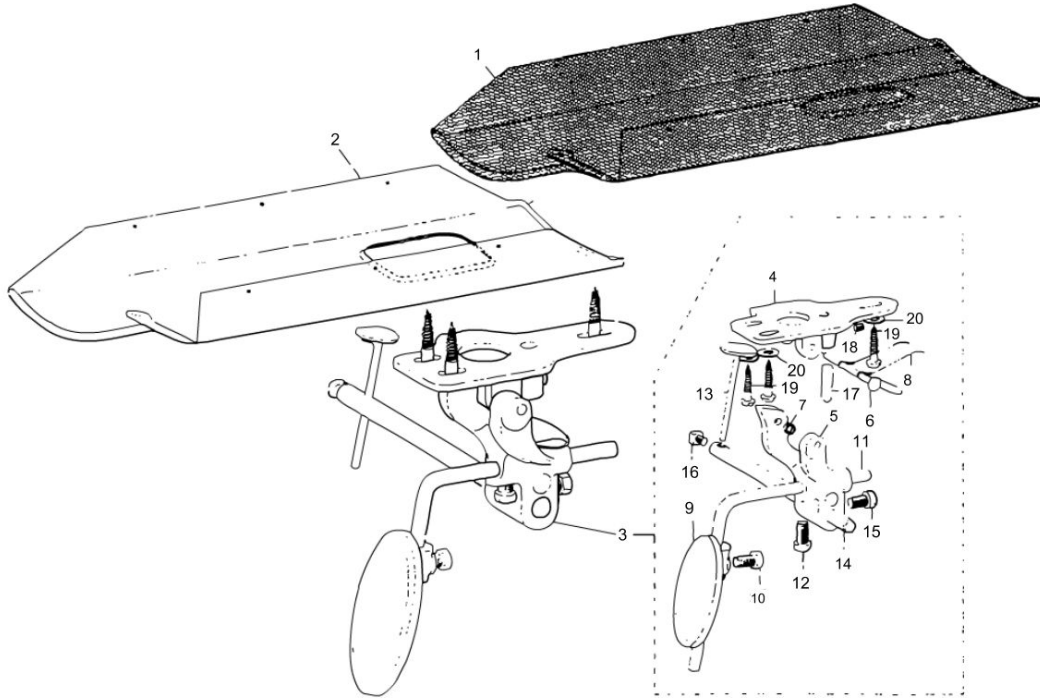


ZIGZAG REGULATOR COMPONENTS

| No. | Parts No. | Parts name | Remarks | Level | Cons | Qty |
|-----|-------------|-------------------------|---------|-------|------|-----|
| 48 | WP0480856SP | WASHER 4.8X8.4X0.8 | | | | 1 |
| 49 | B3415707000 | OIL SEAL WASHER | | | | 1 |
| 50 | PD020150000 | SPLIT PIN | | | | 2 |
| 51 | B3413271B00 | LIFTING ROD (B) | | | | 1 |
| 52 | B21042710AA | FRONT PLATE ASM. | | | | 1 |
| 53 | SS2090710TP | SCREW 9/64-40 L=7.2 | | | | 4 |
| 54 | B2130271000 | ZIGZAG SCALE | | | | 1 |
| 55 | SS7090610SP | SCREW 9/64-40 L=6 | | | | 2 |
| 56 | B2126027000 | NEEDLE BAR FRAME PITMAN | | | | 1 |
| 57 | CQ200000000 | OIL WICK | | | | 0.1 |

KNEE LIFTER & OIL RECEIVER COMPONENTS

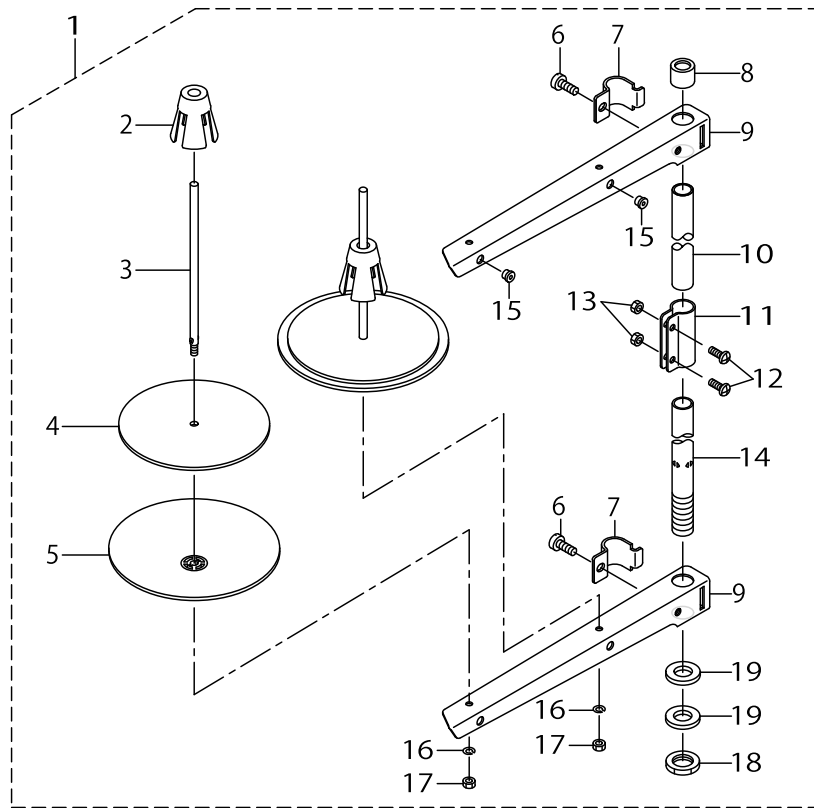
6. KNEE LIFTER & OIL RECEIVER COMPONENTS 膝上げ装置・油受け関係



KNEE LIFTER & OIL RECEIVER COMPONENTS

| No. | Parts No. | Parts name | Remarks | Level | Cons | Qty |
|-----|-------------|--------------------------------|---------|-------|------|-----|
| 1 | B8217271000 | DRIP PAN | | | | 1 |
| 2 | B8217391000 | OIL PAN | | | | 1 |
| 3 | B34010270B0 | KNEE LIFTER ASM. | | | | 1 |
| 4 | B3401027000 | KNEE DRIVING SHAFT MOUNTING BA | | * | | 1 |
| 5 | B3402027000 | KNEE DRIVING BRACKET | | * | | 1 |
| 6 | B3408027000 | KNEE DRIVING SHAFT | | * | | 1 |
| 7 | B3404027000 | SPRING | | * | | 1 |
| 8 | B3409027000 | KNEE DRIVING SPRING | | * | | 1 |
| 9 | B3407027000 | KNEE PRESS PLATE | | * | | 1 |
| 10 | SM9081620SE | SCREW M8 L=16 | | * | | 1 |
| 11 | B3403027000 | KNEE PRESS PLATE ROD | | * | | 1 |
| 12 | SS9201813CN | SCREW 5/16-18 L=18 | | * | | 1 |
| 13 | B34050270A0 | KNEE KNEE LIFT PLATE ASM. | | * | | 1 |
| 14 | B3410027000 | KNEE PRESS SHAFT | | * | | 1 |
| 15 | SS9201813CP | SCREW 5/16-18 L=18 | | * | | 1 |
| 16 | B3406027000 | BOLT | | * | | 1 |
| 17 | B3411027000 | STOPPER PIN | | * | | 1 |
| 18 | SS8150710SN | SCREW 15/64-28 L= 7.0 | | * | | 1 |
| 19 | SK3623201SE | WOOD SCREW D=6.2 L=32 | | * | | 3 |
| 20 | WP0851216SC | WASHER 8.5X18.0X1.2 | | * | | 3 |

THREAD STAND COMPONENTS

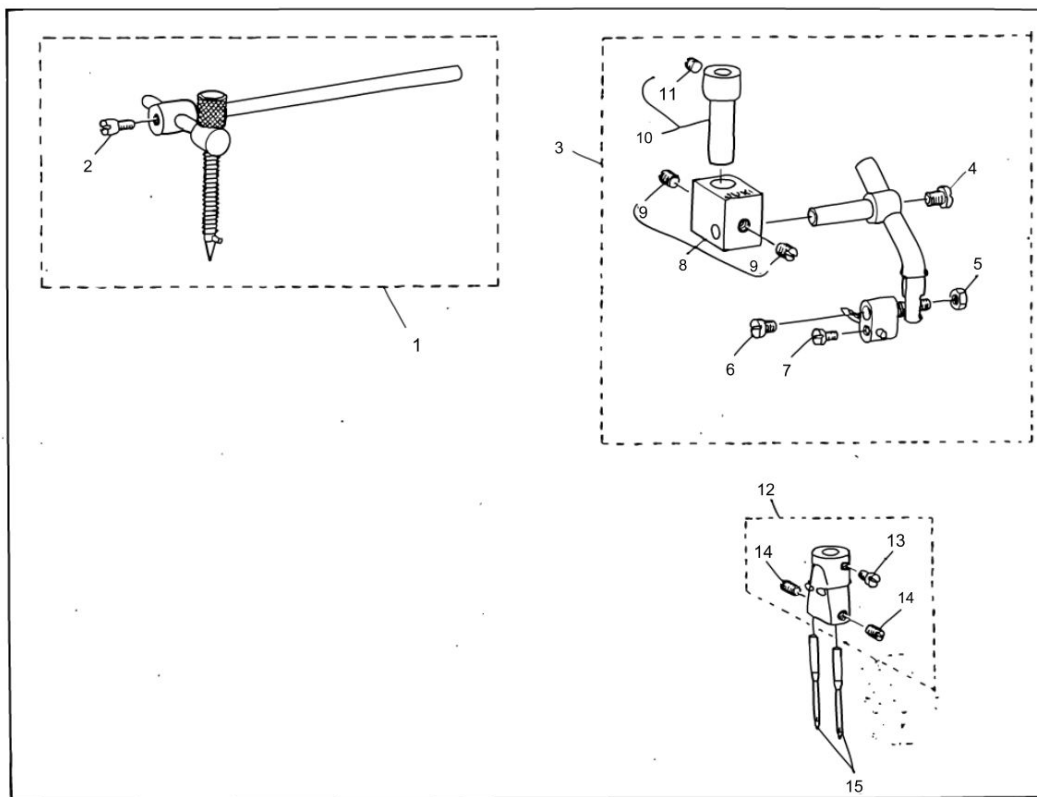


THREAD STAND COMPONENTS

| No. | Parts No. | Parts name | Remarks | Level | Cons | Qty |
|-----|-------------|---------------------------|---------|-------|------|-----|
| 1 | 22930358 | THREAD STAND ASM. | | | | 1 |
| 2 | 22931109 | SPOOL RETAINER | | * | | 2 |
| 3 | 22931000 | SPOOL PIN | | * | | 2 |
| 4 | 22930903 | SPOOL REST CUSHION | | * | | 2 |
| 5 | 22930804 | SPOOL REST | | * | | 2 |
| 6 | SM6061610SC | SCREW M6 L=16 | | * | | 2 |
| 7 | 22930705 | THREAD GUIDE ARM JOINT | | * | | 2 |
| 8 | 22931406 | SPOOL REST ROD RUBBER CAP | | * | | 1 |
| 9 | 22930507 | SPOOL REST ARM | | * | | 2 |
| 10 | 22930408 | SPOOL REST ROD, UPPER | | * | | 1 |
| 11 | 22931307 | SPOOL REST ROD JOINT | | * | | 1 |
| 12 | SM4051405SE | SCREW M5 L=14 | | * | | 2 |
| 13 | NM6050001SE | NUT M5 | | * | | 2 |
| 14 | 22930309 | SPOOL REST ROD, LOWER | | * | | 1 |
| 15 | 22931208 | THREAD GUIDE | | * | | 2 |
| 16 | WS0510002KN | SPRING WASHER | | * | | 2 |
| 17 | NM6050001SE | NUT M5 | | * | | 2 |
| 18 | NM6160511SE | NUT M16X1.5 | | * | | 1 |
| 19 | WP1702600S0 | WASHER 17X30X2.6 | | * | | 2 |

SPECIAL ORDER PARTS

8. SPECIAL ORDER PARTS
特別注文部品



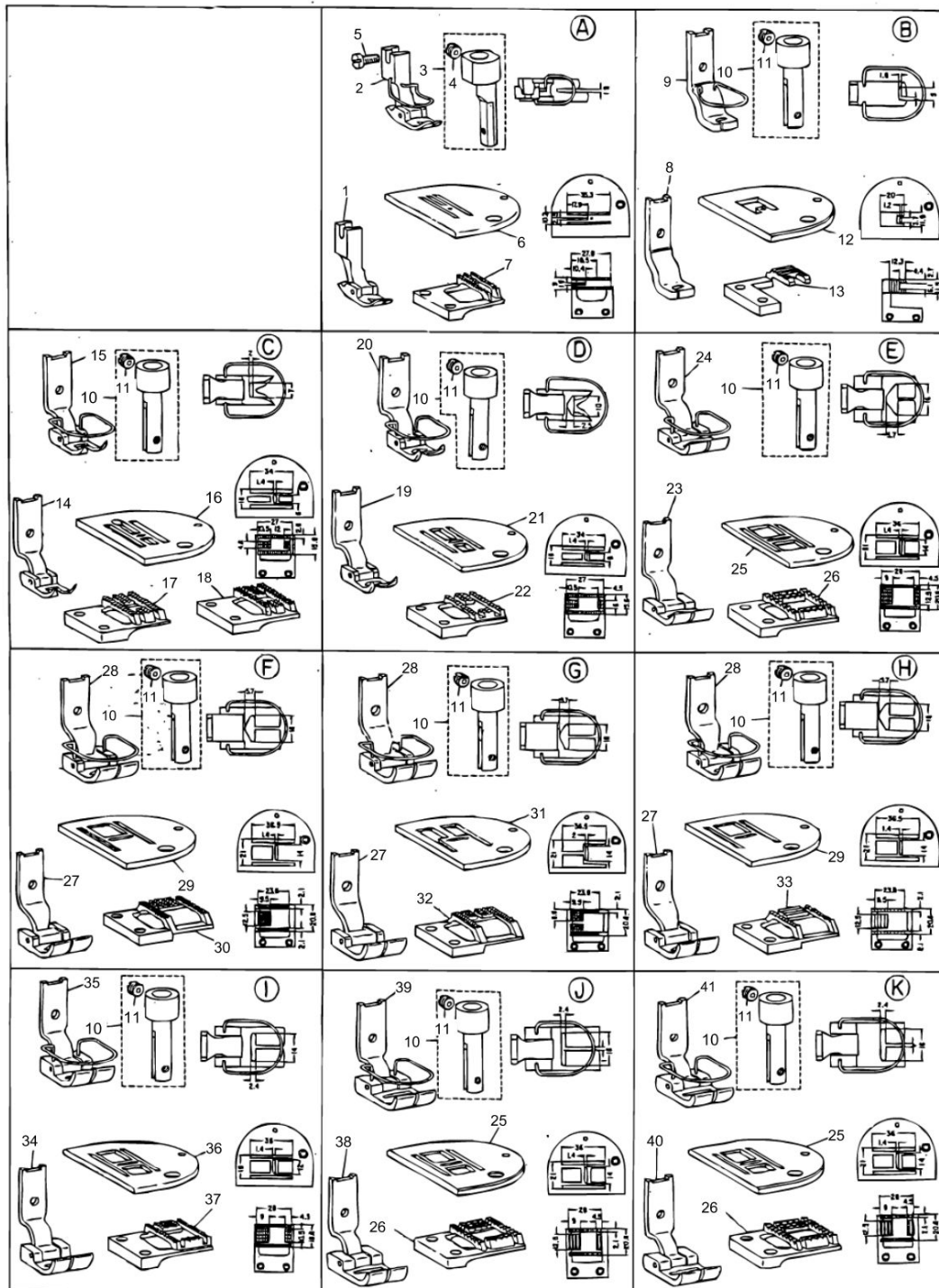
SPECIAL ORDER PARTS

| No. | Parts No. | Parts name | Remarks | Level | Cons | Qty |
|-----|-------------|--------------------------------|---------|-------|------|-----|
| 1 | B33522710A0 | COMPASS ATTACHMENT ASM. | | | | 1 |
| 2 | SS6080720SP | SCREW | | * | | 1 |
| 3 | B50012710A0 | SCALLOP ATTACHMENT ASM. | | | | 1 |
| 4 | SS7090510SP | SCREW 9/64-40 L= 4.6 | | * | | 1 |
| 5 | NS6080210SP | NUT 1/8-44 | | * | | 1 |
| 6 | SS7090520SP | SCREW 9/64-40 L= 4.5 | | * | | 1 |
| 7 | SS4080310SP | SCREW 1/8-44 L=3.4 | | * | | 1 |
| 8 | B50080270A0 | SUPPORT BLOCK ASM. | | * | | 1 |
| 9 | SS8110510SP | SCREW 11/64-40 L=5 | | * | | 2 |
| 10 | B1502391BA0 | PRESSER BAR JOINT ROD, EMBROID | | * | | 1 |
| 11 | SS8660530TP | SCREW 1/4-40 L= 4.5 | | * | | 1 |
| 12 | D14023910A0 | NEEDLE BAR HEAD ASM. | | | | 1 |
| 13 | SS6090410TP | SCREW 9/64-40 L= 3.5 | | * | | 1 |
| 14 | SS8090540SP | SCREW 9/64-40 L=5 | | * | | 2 |
| 15 | D1420391000 | NEEDLE | | | | 2 |

EXCHANGING PARTS (FOR LZ-391N)

9. EXCHANGING PARTS (FOR LZ-391N)

交換部品 (LZ-391N用)



EXCHANGING PARTS (FOR LZ-391N)

| No. | Parts No. | Parts name | Remarks | Level | Cons | Qty |
|-----|--------------|--------------------------------|---------|-------|------|-----|
| 1 | B15240120A0 | PRESSER FOOT ASM. | | | | 1 |
| 2 | B15240120B0 | PRESSER FOOT ASM. | | | | 1 |
| 3 | D1502391DA0 | PRESSER BAR JOINT ROD ASM. | | | | 1 |
| 4 | SS8660530TP | SCREW 1/4-40 L= 4.5 | | * | | 1 |
| 5 | SS7091110SP | SCREW 9/64-40 L=10.5 | | | | 1 |
| 6 | D1109391FA0 | THROAT PLATE (F) ASM. | | | | 1 |
| 7 | D1613391F00A | FEED DOG F | | | | 1 |
| 8 | B1524040C0A | PRESSER FOOT (C) | | | | 1 |
| 9 | B1524040CAA | PRESSER FOOT ASM. | | | | 1 |
| 10 | B1502391AA0 | PRESSER BAR JOINT ROD (A) ASM. | | | | 1 |
| 11 | SS8660530TP | SCREW 1/4-40 L= 4.5 | | * | | 1 |
| 12 | B1109040CA0 | THROAT PLATE (C) ASM. | | | | 1 |
| 13 | B1613040C00 | FEED DOG | | | | 1 |
| 14 | B1524040EA0 | PRESSER FOOT (E) ASM. | | | | 1 |
| 15 | B1524040EB0 | PRESSER FOOT ASM. | | | | 1 |
| 16 | B1109040EA0 | THROAT PLATE (E) ASM. | | | | 1 |
| 17 | B1613040E0A | FEED DOG (E) | | | | 1 |
| 18 | B1613040E0B | FEED DOG (E) | | | | 1 |
| 19 | B1524040AA0 | PRESSER FOOT (A) ASM. | | | | 1 |
| 20 | B1524040AB0 | PRESSER FOOT ASM. | | | | 1 |
| 21 | B1109040DA0 | THROAT PLATE (D) ASM. | | | | 1 |
| 22 | B1613040D00 | FEED DOG (D) | | | | 1 |
| 23 | B1524391DA0 | PRESSER FOOT ASM. (D) | | | | 1 |
| 24 | B1524391DB0 | PRESSER FOOT ASM. | | | | 1 |
| 25 | B1109391NA0 | THROAT PLATE (N) ASM. | | | | 1 |
| 26 | B1613391N00 | FEED DOG (N) | | | | 1 |
| 27 | B1524040DA0 | PRESSER FOOT (D) ASM. | | | | 1 |
| 28 | B1524040DB0 | PRESSER FOOT ASM. | | | | 1 |
| 29 | B1109040AA0 | THROAT PLATE (A) ASM. | | | | 1 |
| 30 | B1613040A0A | FEED DOG (A-1) | | | | 1 |
| 31 | B1109040BA0 | THROAT PLATE (B) ASM. | | | | 1 |
| 32 | B1613040B00 | FEED DOG (B) | | | | 1 |
| 33 | B1613040A0B | FEED DOG (A-2) | | | | 1 |
| 34 | D1524391NA0 | PRESSER FOOT (N) ASM. | | | | 1 |
| 35 | D1524391NB0 | PRESSER FOOT ASM. | | | | 1 |
| 36 | D1109391RA0 | THROAT PLATE (R) ASM. | | | | 1 |
| 37 | D1613391R00 | FEED DOG (R) | | | | 1 |
| 38 | D1524391PA0 | PRESSER FOOT (P) ASM. | | | | 1 |
| 39 | D1524391PB0 | PRESSER FOOT ASM. | | | | 1 |
| 40 | D1524391QA0 | PRESSER FOOT (Q) ASM. | | | | 1 |
| 41 | D1524391QB0 | PRESSER FOOT ASM. | | | | 1 |

EXCHANGING PARTS (FOR LZ-391N)

| | 用途 | USAGE | 振巾 Width of Throw | 備考 | REMARKS |
|-----|---------|--|----------------------|---|---|
| (A) | 直進縫用 | For straight sewing | 0 | 一般工業用ミシンの押エ、ミツ巻が取り付けられます。 | Presser foot and hemmer foot of conventional industrial machine can be attached. |
| (B) | 紐付用 | For cord attaching | 3mm(1/8") | | |
| (C) | 芯刺し用 | For embroidering | 5mm(3/16") | 送りB1613-040-E0Bは鬼歯です。 | B1613-040-E0B is a fang type teeth. |
| (D) | 薄物用 | For light weight materials | 6mm(1/4") | | |
| E | 中厚物・厚物用 | For medium heavy, heavy weight materials | 10mm(3/8") | 標準部品 | All standard parts. |
| (F) | 厚物用 | For heavy weight materials | 10mm(3/8") | 中ガマ押エをB1835-027-000に交換すれば、振巾12mmまで可能です。 | The zigzag width of throw can be increased to 12mm if the rotary hook presser foot is exchanged to that of B8135-027-000. |
| G | 厚物用 | For heavy weight materials | 10mm(3/8") | | |
| (H) | 厚物用 | For heavy weight materials | 10mm(3/8") | 送りB1613-040-A0Bは(F)の送りB1613-040-A0Aより、送り歯のピッチが荒い。 | The feed pitch of the feed dog for this type, B1613-040-A0B is rougher than the pitch of B1613-040-A0A for (F). |
| (I) | 中厚物・厚物用 | For medium heavy, heavy weight materials | 10mm(3/8") | | |
| J | 薄物用 | For light weight materials | 12mm(15/32") | 目飛び防止用、押エ使用。 | Skip-stitch preventing presser foot used. |
| K | 厚物用、段縫向 | For heavy weight, stepped-sewing materials | 12mm(15/32") | | |

※(A)(B)(C)(D)(F)(G)(H)……………カマはB1830-027-0A0を使用して下さい
Use sewing hook No.B1830-027-0A0.

HOW TO MAKE USE OF THIS PARTS LIST

1.Explanation of codes

1)"*"mark.....means this part is changed from the previous parts book.

As to the details of the change, refer to the "List for information of change".

2)"#01".....refer to "Note" explanation at bottom of page.

2.Codes on the "Qty" column

- Each numeral indicates the number of parts required.
- "0.1" and "2.5" indicate the length (in meters) of the respective parts.

3.Parentheses mean that the corresponding part is a subpart that constructs an assembly part.

4.Dotted lines on the Figures indicate assembly parts.

1."注記"欄の記号説明

1) "*"印.....前回のパーツブックに比較して今回変更された部品を意味します。

変更内容は、"変更情報リスト"を参照してください。

2) "#01".....ページ下の"注記"の説明を参照してください。

2.数量欄の数字は、個数を表し、0.1、2.5等の数値は、長さ（単位メートル）を表します。

3.数量欄の（ ）は、組部品を構成している子部品であることを意味します。

4.イラストページの-----枠は、組構成であることを意味します。

NUMERICAL INDEX OF PARTS

| PART NO | PAGE | REF NO. | PART NO | PAGE | REF NO. | PART NO | PAGE | REF NO. |
|--------------|------|---------|--------------|------|---------|--------------|------|---------|
| 11072204 | 4 | 48 | B1190271000 | 18 | 45 | B1501027000 | 2 | 32 |
| 22901805 | 4 | 71 | B11902710A0 | 18 | 44 | B1501391000 | 14 | 3 |
| 22904155 | 8 | 53 | B1191271000 | 18 | 46 | B1502391AA0 | 14 | 13 |
| 22930309 | 24 | 14 | B1192271000 | 18 | 47 | B1502391AA0 | 28 | 10 |
| 22930358 | 24 | 1 | B119639100A | 2 | 41 | B1502391BA0 | 26 | 10 |
| 22930408 | 24 | 10 | B1201271000A | 6 | 17 | B1505040000 | 14 | 2 |
| 22930507 | 24 | 9 | B12022710A0 | 6 | 11 | B15070400A0 | 14 | 8 |
| 22930705 | 24 | 7 | B1203012000 | 6 | 14 | B1511040000 | 14 | 12 |
| 22930804 | 24 | 5 | B1206271000A | 6 | 7 | B1518040000 | 14 | 4 |
| 22930903 | 24 | 4 | B1208027000 | 6 | 6 | B15240120A0 | 28 | 1 |
| 22931000 | 24 | 3 | B1209027000 | 6 | 5 | B15240120B0 | 28 | 2 |
| 22931109 | 24 | 2 | B12100400B0 | 6 | 21 | B1524040AA0 | 28 | 19 |
| 22931208 | 24 | 15 | B12102710A0 | 18 | 41 | B1524040AB0 | 28 | 20 |
| 22931307 | 24 | 11 | B1211226000 | 6 | 18 | B1524040C0A | 28 | 8 |
| 22931406 | 24 | 8 | B1212012000 | 6 | 19 | B1524040CAA | 28 | 9 |
| 22932909 | 10 | 36 | B1212271000 | 6 | 24 | B1524040DA0 | 28 | 27 |
| 22958300 | 2 | 9 | B1213012000 | 6 | 20 | B1524040DB0 | 28 | 28 |
| 40009129 | 14 | 1 | B121339100AA | 6 | 28 | B1524040EA0 | 28 | 14 |
| 40011109 | 4 | 69 | B1240271000 | 6 | 15 | B1524040EB0 | 28 | 15 |
| A1512007000 | 14 | 10 | B1302271000 | 10 | 13 | B1524391DA0 | 14 | 15 |
| B110327100AA | 2 | 10 | B1303271000 | 10 | 15 | B1524391DA0 | 28 | 23 |
| B1109027AA0 | 4 | 64 | B1304271000 | 10 | 12 | B1524391DB0 | 14 | 16 |
| B1109040AA0 | 28 | 29 | B13050120A0 | 10 | 3 | B1524391DB0 | 28 | 24 |
| B1109040BA0 | 28 | 31 | B13052710A0 | 10 | 16 | B1527391000 | 4 | 56 |
| B1109040CA0 | 28 | 12 | B13061550A0 | 10 | 5 | B1528391000 | 4 | 55 |
| B1109040DA0 | 28 | 21 | B13061550B0 | 10 | 2 | B1601391B00 | 14 | 28 |
| B1109040EA0 | 28 | 16 | B13061550C0 | 10 | 1 | B16020400A0 | 14 | 26 |
| B1109391NA0 | 4 | 59 | B13071550A0 | 10 | 8 | B1604391B00 | 14 | 29 |
| B1109391NA0 | 28 | 25 | B13071550D0 | 10 | 7 | B16120120A0 | 14 | 41 |
| B11100400A0 | 4 | 61 | B13072710A0 | 10 | 19 | B1613040A0A | 28 | 30 |
| B1111012000 | 4 | 62 | B13081550A0 | 10 | 10 | B1613040A0B | 28 | 33 |
| B1113012000 | 14 | 30 | B1401271000 | 6 | 45 | B1613040B00 | 28 | 32 |
| B1128522000 | 2 | 12 | B1408271B00 | 6 | 30 | B1613040C00 | 28 | 13 |
| B113027100A | 2 | 39 | B14112710A0 | 6 | 35 | B1613040D00 | 28 | 22 |
| B1137027000 | 2 | 34 | B1413271000 | 6 | 27 | B1613040E0A | 28 | 17 |
| B1166271000 | 2 | 29 | B1414271B00 | 6 | 40 | B1613040E0B | 28 | 18 |
| B11682710A0 | 2 | 28 | B1415271B00 | 8 | 51 | B1613391N00 | 14 | 24 |
| B1174271000 | 2 | 27 | B1421271000 | 6 | 32 | B1613391N00 | 28 | 26 |
| B1175271000 | 2 | 23 | B1422027000 | 6 | 33 | B1614040000 | 14 | 45 |
| B1177271B00 | 2 | 26 | B1424027000 | 6 | 46 | B1618226000 | 14 | 47 |
| B1178271CD0 | 2 | 14 | B1427271000 | 6 | 37-38 | B1622391000A | 16 | 50 |
| B1178391BD0 | 2 | 17 | B142727100A | 6 | 37-38 | B1628040000 | 16 | 51 |
| B1181027000 | 2 | 31 | B1429027000 | 6 | 42 | B1630027000 | 18 | 9 |
| B1182271000 | 2 | 21 | B1432027000 | 6 | 47 | B1631012B00 | 18 | 10 |
| B1185271000 | 2 | 36 | B1434027000 | 6 | 41 | B17010400A0 | 14 | 38 |

NUMERICAL INDEX OF PARTS

| PART NO | PAGE | REF NO. | PART NO | PAGE | REF NO. | PART NO | PAGE | REF NO. |
|--------------|------|---------|--------------|------|---------|--------------|------|---------|
| B1702012000 | 14 | 40 | B310527100A | 4 | 68 | CQ202000000 | 14 | 57 |
| B1705141H00 | 14 | 34 | B3106027C00 | 4 | 66 | CQ202000000 | 16 | 57 |
| B17060120B0 | 14 | 32 | B3107027000 | 2 | 5 | CQ252000000 | 6 | 36 |
| B1804271000 | 10 | 47 | B3108027000 | 4 | 53 | CQ300000000 | 6 | 31 |
| B1805271000 | 10 | 45 | B3115552000 | 2 | 45 | CQ300000000 | 10 | 26 |
| B1806271000 | 12 | 50 | B3120125000 | 4 | 49 | CS079072BTH | 18 | 23 |
| B1813271000 | 10 | 30 | B3121027000 | 2 | 47 | CS0791010SH | 12 | 48 |
| B1814271000 | 12 | 52 | B31220270A0 | 2 | 43 | CS128101ASH | 18 | 34 |
| B18300270A0 | 10 | 38 | B3126012000 | 4 | 52 | D1109391FA0 | 28 | 6 |
| B18307100A0 | 10 | 34 | B3127391000 | 4 | 54 | D1109391RA0 | 28 | 36 |
| B1835027000 | 10 | 42 | B3128027000 | 2 | 44 | D14023910A0 | 26 | 12 |
| B1835039000 | 10 | 40 | B3129012A00 | 4 | 50 | D1420391000 | 26 | 15 |
| B18370270A0 | 10 | 37 | B3132552000 | 4 | 51 | D1502391DA0 | 28 | 3 |
| B1838391C00 | 10 | 25 | B33522710A0 | 26 | 1 | D1524391NA0 | 28 | 34 |
| B1850391B00 | 10 | 29 | B3401027000 | 22 | 4 | D1524391NB0 | 28 | 35 |
| B1851391C00A | 10 | 43 | B34010270B0 | 22 | 3 | D1524391PA0 | 28 | 38 |
| B1852391C00 | 10 | 27 | B3402027000 | 22 | 5 | D1524391PB0 | 28 | 39 |
| B1853391C00 | 10 | 32 | B3403027000 | 22 | 11 | D1524391QA0 | 28 | 40 |
| B1864391C00 | 10 | 23 | B3404027000 | 22 | 7 | D1524391QB0 | 28 | 41 |
| B1865391C00 | 10 | 22 | B34050270A0 | 22 | 13 | D1613391F00A | 28 | 7 |
| B19110270B0 | 6 | 1 | B3406027000 | 22 | 16 | D1613391R00 | 28 | 37 |
| B1913271000 | 6 | 2 | B3406391000A | 14 | 18 | MDB1B0B1100 | 6 | 25-49 |
| B21012710A0 | 18 | 37 | B3407027000 | 22 | 9 | MDB1B0B1400 | 8 | 25-49 |
| B21022710A0 | 18 | 39 | B3407391000 | 14 | 19 | NM6030002SC | 10 | 17 |
| B2103271B00 | 18 | 43 | B3408027000 | 22 | 6 | NM6050001SE | 24 | 17 |
| B21042710AA | 20 | 52 | B3409027000 | 22 | 8 | NM6050003SC | 10 | 20 |
| B2107271000 | 18 | 14 | B3410027000 | 22 | 14 | NM6160511SE | 24 | 18 |
| B21072710A0 | 18 | 13 | B3411027000 | 22 | 17 | NS6060310SP | 2 | 7 |
| B2108271000 | 18 | 15 | B3412271000 | 18 | 1 | NS6080210SP | 26 | 5 |
| B21092710A0 | 18 | 29 | B3413271B00 | 20 | 51 | NS6110310SP | 14 | 7 |
| B2110271000 | 18 | 32 | B3413391A00A | 14 | 22 | NS6110310SP | 18 | 8 |
| B21142710A0 | 18 | 5 | B3415707000 | 20 | 49 | NS6680410SP | 14 | 49 |
| B2115271000 | 18 | 21 | B3419271000 | 18 | 4 | NS6680410SP | 16 | 49 |
| B2119271BA0 | 14 | 46 | B3534012000 | 2 | 22 | NS6680410SP | 18 | 17 |
| B2119271BA0 | 18 | 18 | B3537122000 | 2 | 37 | NS6700420SP | 18 | 16 |
| B21202710A0 | 18 | 25 | B50012710A0 | 26 | 3 | NS6740510SP | 14 | 31 |
| B2122271000 | 18 | 27 | B50080270A0 | 26 | 8 | PD020150000 | 14 | 23 |
| B2126027000 | 20 | 56 | B8217271000 | 22 | 1 | PD020150000 | 20 | 50 |
| B2129271B00A | 18 | 11 | B8217391000 | 22 | 2 | RE0500000K0 | 18 | 28 |
| B2130271000 | 20 | 54 | CM300200001 | 4 | 70 | RE0600000K0 | 6 | 43 |
| B2615232000 | 2 | 18 | CM301300001 | 4 | 72 | SD0460571CP | 14 | 6 |
| B3013141H0A | 4 | 73 | CQ200000000 | 2 | 19 | SD0640231SP | 18 | 22 |
| B31012710AA | 2 | 1 | CQ200000000 | 20 | 57 | SD0700251SP | 14 | 11 |
| B310427100A | 4 | 67 | CQ202000000 | 2 | 24 | SD0790361SP | 14 | 21 |
| B31042710AA | 4 | 65 | CQ202000000 | 6 | 22 | SD0920321SP | 14 | 5 |

NUMERICAL INDEX OF PARTS

| PART NO | PAGE | REF NO. | PART NO | PAGE | REF NO. | PART NO | PAGE | REF NO. |
|-------------|------|---------|-------------|------|---------|-------------|------|---------|
| SD0950802SH | 16 | 48 | SS7091110SP | 2 | 2 | SS9660720SP | 18 | 6 |
| SD0950802SH | 18 | 19 | SS7091110SP | 18 | 2 | TA1250705R0 | 2 | 8 |
| SD0950806SH | 18 | 20 | SS7091110SP | 28 | 5 | WP0371016SD | 18 | 3 |
| SD1020701SP | 14 | 36 | SS7110710SP | 2 | 42 | WP0480856SP | 18 | 48 |
| SD1020961SP | 14 | 43 | SS7110710SP | 6 | 44 | WP0480856SP | 20 | 48 |
| SD1021251SP | 16 | 53 | SS7111120SP | 2 | 11 | WP0501016SD | 16 | 52 |
| SK3623201SE | 22 | 19 | SS7111410SP | 14 | 42 | WP0851216SC | 22 | 20 |
| SM4051405SE | 24 | 12 | SS7121410TP | 18 | 30 | WP1702600S0 | 24 | 19 |
| SM6031202TP | 10 | 18 | SS7150940SP | 10 | 28 | WS0510002KN | 24 | 16 |
| SM6051410SC | 10 | 21 | SS7681750TP | 6 | 8 | WZ1052010KP | 16 | 54 |
| SM6061610SC | 24 | 6 | SS8090410SP | 2 | 13 | | | |
| SM9081620SE | 22 | 10 | SS8090410SP | 18 | 24 | | | |
| SS1060610SP | 2 | 35 | SS8090540SP | 26 | 14 | | | |
| SS2060510SP | 2 | 6 | SS8090670SP | 2 | 46 | | | |
| SS2090710TP | 2 | 40 | SS8110410TP | 10 | 44 | | | |
| SS2090710TP | 20 | 53 | SS8110510SP | 4 | 57 | | | |
| SS2110920TP | 4 | 60 | SS8110510SP | 26 | 9 | | | |
| SS3090610SP | 10 | 24 | SS8110520TP | 12 | 49 | | | |
| SS4080310SP | 26 | 7 | SS8110750SP | 2 | 58 | | | |
| SS4080620TP | 14 | 25 | SS8110750SP | 4 | 58 | | | |
| SS4090810SP | 14 | 27 | SS8110750SP | 10 | 31 | | | |
| SS6060210SP | 4 | 63 | SS8150410SP | 6 | 39 | | | |
| SS6080360SP | 8 | 50 | SS8150410TP | 18 | 36 | | | |
| SS6080720SP | 26 | 2 | SS8150510TP | 18 | 35 | | | |
| SS6090410TP | 26 | 13 | SS8150710SN | 22 | 18 | | | |
| SS6090510TP | 2 | 30 | SS8150710SP | 6 | 48 | | | |
| SS6090620SP | 2 | 25 | SS8150710SP | 8 | 48 | | | |
| SS6090910SP | 14 | 17 | SS8150710SP | 14 | 9 | | | |
| SS6092120SP | 8 | 52 | SS8150710SP | 18 | 12 | | | |
| SS6110460SP | 10 | 35 | SS8151150SP | 6 | 13 | | | |
| SS6110460TP | 10 | 39 | SS8151150SP | 10 | 14 | | | |
| SS6111010TP | 4 | 74 | SS8151150SP | 18 | 42 | | | |
| SS6111110SP | 12 | 51 | SS8151550SP | 6 | 29 | | | |
| SS6111110SP | 18 | 7 | SS8660410SP | 18 | 38 | | | |
| SS6111440SP | 10 | 46 | SS8660530TP | 14 | 14 | | | |
| SS6111620SP | 10 | 41 | SS8660530TP | 26 | 11 | | | |
| SS6121610TP | 14 | 39 | SS8660530TP | 28 | 11 | | | |
| SS6121610TP | 18 | 26 | SS8660610TP | 6 | 54 | | | |
| SS6661110SP | 16 | 55 | SS8660610TP | 8 | 54 | | | |
| SS7081310SP | 6 | 26 | SS8660810TP | 10 | 11 | | | |
| SS7090510SP | 2 | 4 | SS8660810TP | 18 | 40 | | | |
| SS7090510SP | 26 | 4 | SS8681130SP | 6 | 9 | | | |
| SS7090520SP | 2 | 38 | SS9121340CP | 18 | 33 | | | |
| SS7090520SP | 26 | 6 | SS9201813CN | 22 | 12 | | | |
| SS7090610SP | 20 | 55 | SS9201813CP | 22 | 15 | | | |