

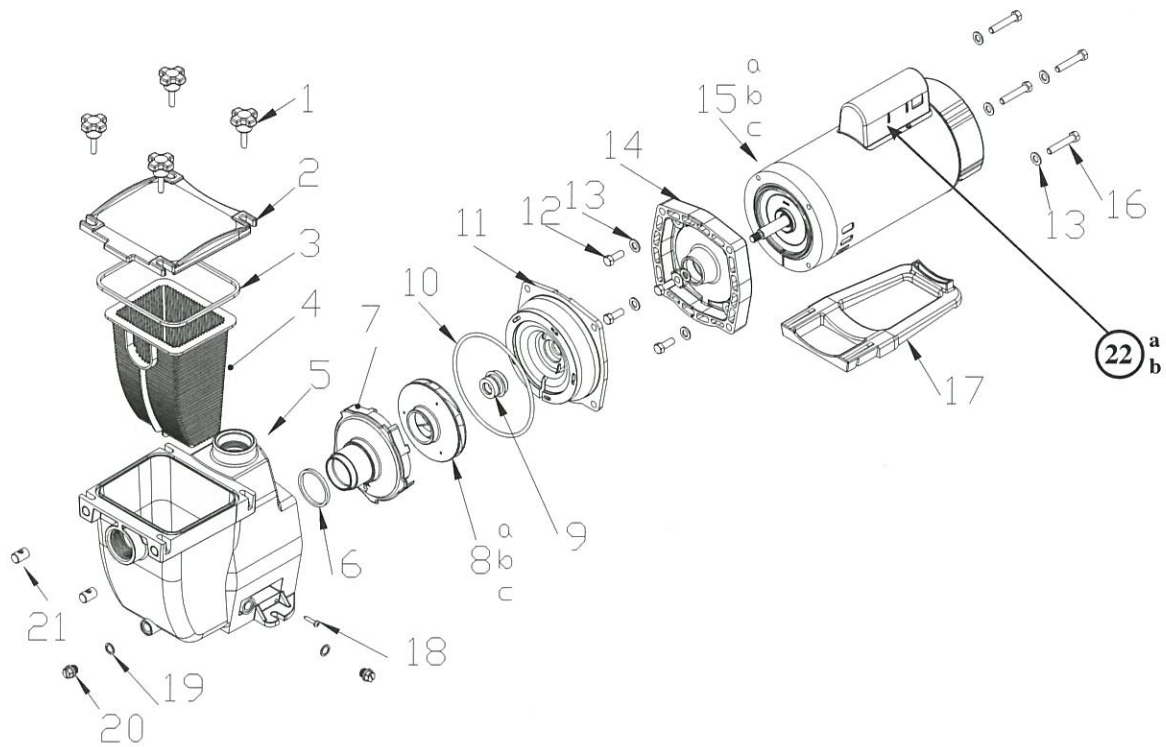
# TYPHOON 56 INGROUND POOL PUMP

## INSTRUCTION MANUAL



**READ THIS MANUAL CAREFULLY  
BEFORE USING YOUR POOL PUMP**

# IMP BLUE TORRENT PUMP PARTS BREAKDOWN



| PART # | MODEL #  | DESCRIPTION         | 750 IMP | 1000 IMP | 1500 IMP |
|--------|----------|---------------------|---------|----------|----------|
| 1      | AC 23248 | Lid Knobs           | 4       | 4        | 4        |
| 2      | AC 30341 | Strainer Lid        | 1       | 1        | 1        |
| 3      | AC 30376 | Strainer Lid Gasket | 1       | 1        | 1        |
| 4      | AC 30333 | Strainer Basket     | 1       | 1        | 1        |
| 5      | AC 23345 | Housing             | 1       | 1        | 1        |
| 6      | AC 23485 | Diffuser Gasket     | 1       | 1        | 1        |
| 7      | AC 23493 | Diffuser            | 1       | 1        | 1        |
| 8A     | AC 23507 | Impeller .75 HP     | 1       |          |          |
| 8B     | AC 23515 | Impeller 1 HP       |         | 1        |          |
| 8C     | AC 23523 | Impeller 1.5 HP     |         |          | 1        |
| 9      | AC 23531 | Seal                | 1       | 1        | 1        |
| 10     | AC 23558 | Housing O-Ring      | 1       | 1        | 1        |
| 11     | AC 23566 | Seal Plate          | 1       | 1        | 1        |
| 12     | AC 23574 | Bolt                | 1       | 1        | 1        |
| 13     | AC 82597 | Washer              | 8       | 8        | 8        |
| 14     | AC 23582 | Cover               | 1       | 1        | 1        |
| 15A    | AC 52582 | 3/4 HP 56 Motor     | 1       |          |          |
| 15B    | AC 52663 | 1 HP 56 Motor       |         | 1        |          |
| 15C    | AC 52671 | 1.5 HP 56 Motor     |         |          | 1        |
| 16     | AC 23574 | Motor Bracket Bolt  | 4       | 4        | 4        |
| 17     | AC 23639 | Base                | 1       | 1        | 1        |
| 18     | AC 81914 | Screw               | 1       | 1        | 1        |
| 19     | AC 81590 | O-Ring              | 1       | 1        | 1        |
| 20     | AC 81620 | Plug                | 1       | 1        | 1        |
| 21     | AC 23388 | Top Knob Nut        | 4       | 4        | 4        |
| 22A    | AC 08028 | .75/1 HP Capacitor  | 1       | 1        |          |
| 22B    | AC 08036 | 1.5 HP Capacitor    |         |          | 1        |

## IMPORTANT SAFETY INSTRUCTIONS

**NOTE** All wiring should be done by a qualified electrician in accordance to the National Electric Code and all Local Codes and ordinances.

When installing and using this electrical equipment, basic safety precautions should **ALWAYS** be followed.

## READ AND FOLLOW ALL INSTRUCTIONS



## WARNING

1. To reduce the risk of injury, do not allow children to use this equipment
2. Connect only to a grounding type receptacle that is protected by a ground fault circuit interrupter (GFCI).
3. Do not connect this equipment to an extension cord. To reduce the risk of electric shock, only connect the electric cord to a properly located outlet.
4. To reduce the risk of shock, connect ground wires to the grounding screw located in the motor.
5. To reduce the risk of shock, a bonding connector is provided for bonding to any metal within 5 feet of the swimming pool. All local points should be bonded with #8AWG (8.4mm<sup>2</sup>) wire.

**NOTE** To installer and/or operator of the Blue Torrent swimming pool pump: the manufacturer's warranty will be void if the pump is improperly installed and/or operated.

## PUMP INSTALLATION

1. When connecting plumbing fittings to the pumps threaded ports, it is recommended that thread seal tape (Teflon tape) be used. If the suction (intake) connection is not sealed correctly the pump will not prime properly and will pump only small volumes of water or no water at all.
3. Suction and discharge lines should be independently supported at a point near the pump to avoid strains being placed on the pump.
4. It is advisable to install a union in both the suction and discharge lines in the event the pump needs servicing or removal.
5. Before starting the pump for the first time remove the clear lid at the front of the pump. Fill the pump strainer with water until it is level with the suction port opening. Replace the lid making sure the lid is tight Hand tighten only.
6. **BONDING:** as required by the National Electrical Code Article 680-26 the pump must be electrically bonded to the pool structure by a solid copper conductor no smaller than #8 AWG via the external copper bonding lug on the motor.
7. **GROUNDING:** Permanently ground the pump motor using a conductor of appropriate size. Connect to the green headed screw provided inside the motor terminal box.

**NOTE DO NOT CONNECT MOTOR TO THE ELECTRIC POWER SUPPLY UNTIL IT IS PERMANENTLY GROUNDED.**

## PUMP MAINTENANCE

- The pump requires little to no maintenance other than reasonable care and cleaning of the strainer basket on a regular basis. The pump is equipped with a mechanical seal. This seal may eventually come loose over a period of time, depending on running time and water quality. If water continually leaks out, a new mechanical seal should be installed.
- The pump is equipped with a rubber gasket that seals the strainer basket lid. This gasket should be lubricated with water proof lubricant (O-RING LUBE) to ensure proper seal and extend gasket life. The gasket becomes cracked or worn (flattened) is will become necessary to replace.

## WINTERIZATION

- In areas subject to freezing temperatures, it is recommended that the pump be disconnected and stored indoors in a warm and dry location. Remove the drain plugs from the pump housing and place them in the strainer basket for storage.

## PUMP LOCATION

1. Locate the pump on a level surface as close to the pool as practical. Consult local codes for minimum distances between pool and pump if applicable.
2. The connection plumbing (hose or rigid pipe) should be direct and as free from turns and bends as possible. Take care not to kink flexible hose. Elbows and other fittings greatly increase friction losses.
3. Place pump on a solid foundation / base which provides a rigid and vibration free support.
4. Protect the pump against flooding and excess moisture. Protect the motor from foreign objects clogging the air circulation around the motor.
5. **NEVER** use gasoline or other flammable liquids or vapors in the vicinity of this pump.

**NOTE** DO NOT store pool chemicals near this pump.  
DO NOT remove any safety labels such as CAUTION / DANGER / WARNING from this pump. Keep labels in good condition and replace any damaged labels.

## DO NO BLOCK SUCTION

1. Pump suction is dangerous and can trap and drown or disembowel bathers.
2. Blocking suction with body may cause severe and/or fatal injury
3. Do not operate swimming pools, spas or hot tubs if a suction outlet cover is missing, broken or loose
4. Suction outlet must be replaced if cracked, broken or missing.
5. All suction outlets must have correctly installed screw fastened covers in place.



## WARNING

## RISK OF ELECTRICAL SHOCK

1. To avoid dangerous or fatal electrical shock, **TURN OFF** power to motor **BEFORE** working on electrical connections.
2. To reduce the risk of electrical shock, turn off circuit breaker before working on pump or motor.

Keep labels in good condition and replace any damaged labels

# TROUBLE SHOOTING GUIDE

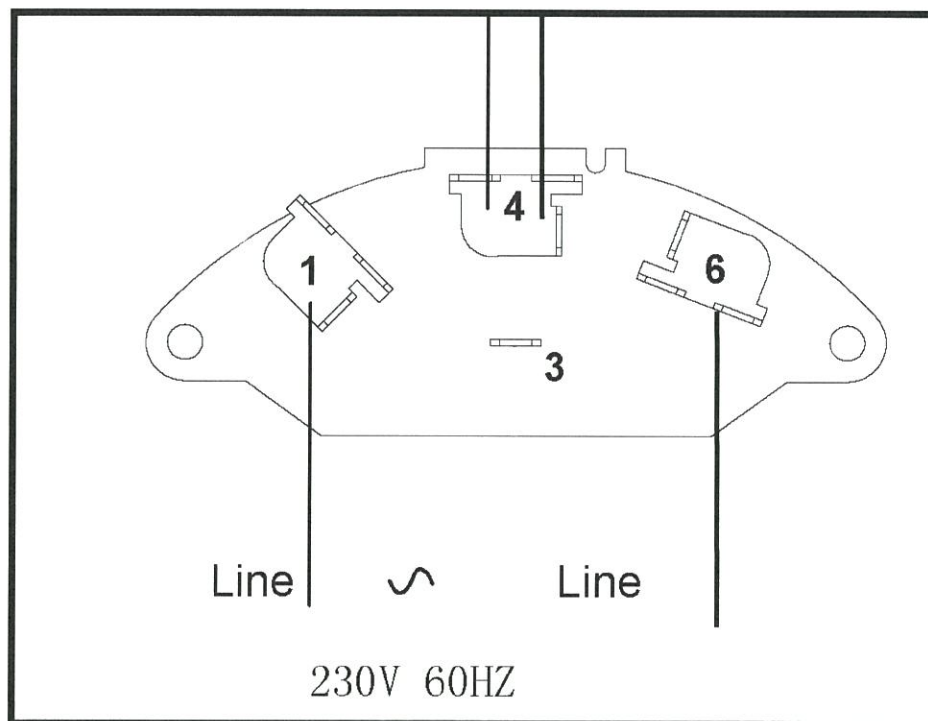
| PROBLEM             | POSSIBLE CAUSE  | SOLUTION  |
|---------------------|---|---|
| Pump will not Prime | Suction Air Leak  | <p>Make sure see thru lid and gasket are clean, lubed and tightened. Tighten all hoses and pipes on the suction side of the pump.</p> <p>Be sure water level in the swimming pool is high enough to flow through skimmer. Be sure skimmer port is not plugged or blocked.</p> |
|                     | No Water in Pump  | <p>Make sure strainer tank is full of water</p>   |
|                     | Closed Valves or Blocked Lines  | <p>Open all valves in system. Clean skimmer and strainer basket. Check for blockage in impeller</p>   |
|                     | Low Voltage to Motor  | <p>Check voltage at motor. If low, pump will not come up to speed</p>   |
| Motor Does Not Run  | No Power to Motor   | <p>Check that all power switches are on. Be sure fuse or circuit breaker is properly set. Timer set correctly? Check motor wiring at terminals</p>  |
|                     | Pump Jammed   | <p>With power off, turn motor shaft. It should spin freely. If not disassemble and repair</p>   |
| Low Flow            | Dirty Filter  | <p>Backwash filter. When pressure is high you must backwash or clean filter</p> <p>Clean skimmer basket.</p> <p>Clean pump basket</p>   |
| Motor Runs Hot      | <p>Motor is designed to run hot to the touch, this is normal. They are equipped with a thermal overload protector which will turn the motor off if there is an overload or high temperature problem. Excessive heat can be caused by:</p> |   |
|                     | Poor Ventilation  | <p>Do not enclose motor, be sure to have a proper air space around motor</p>  |
|                     | Installed in direct sun   | <p>Shield motor from direct sun</p>   |

# ATTENTION LICENSED ELECTRICIANS STANDARD WIRING FOR 220V

— See Motor Label for Details —

If you are connecting your Blue Torrent Pump to a 220V power source follow these simple directions. Remove the rear housing to expose the electric connection plate

- 1 Your New Blue Torrent Pump is pre-wired for 220V operation
- 2 You will attach the 2 power supply wires and the ground wires as indicated below
- 3 You will need to connect your 2 power wires to the power plate in back of the motor, to do this you must unscrew the back protective cover.
- 4 You will notice there are wires already connected to HUB # 4  
Do not move them. They are in correct position for 220V operation
- 5 Connect your power lines to Hub # 1 and Hub # 6 it does not matter which line is on Hub # 1 and which is on Hub # 6
- 6 Connect your ground wire to the green ground Lug at back of motor frame



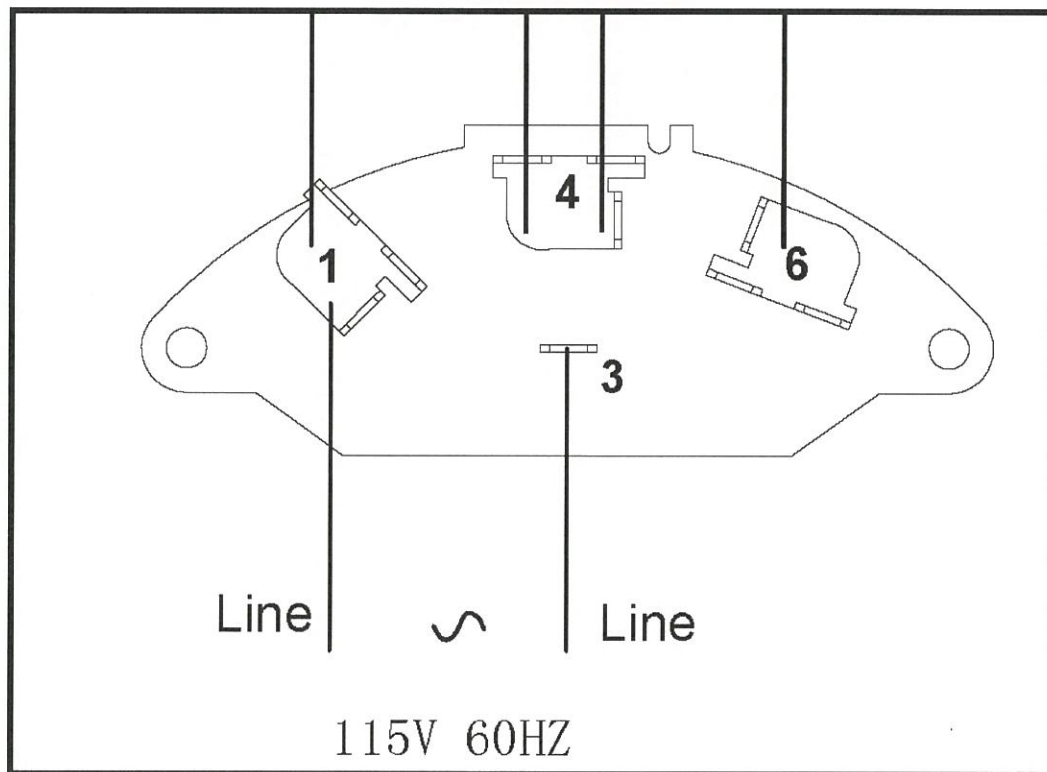
# ATTENTION LICENSED ELECTRICIANS STANDARD WIRING FOR 110V

— See Motor Label for Details —

Your Blue Torrent Pump is pre-set for 220V. Before connecting your new pump to 110V you must change the location of the 2 pre wired hubs.

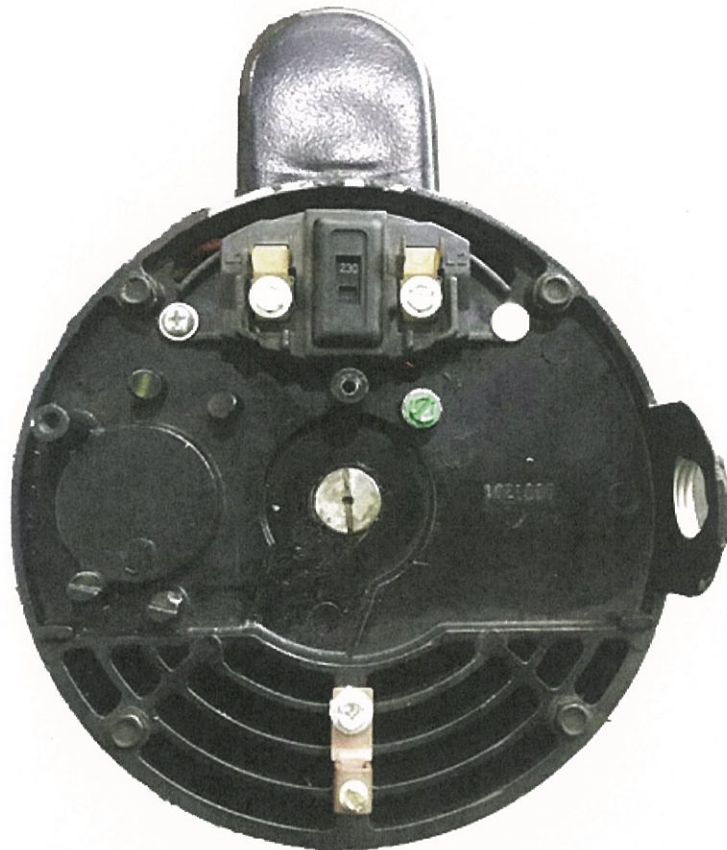
- 1** Remove the protective cover on the back of the motor
- 2** You will notice there are wires already connected to Hub # 4 —these are the two wires that have to be moved
- 3** Using pliers remove the white wire to # 6
- 4** Using pliers remove the brown to # 3
- 5** Connect your power lines to Hub # 1 and Hub # 6 it does not matter which lines are on Hub # 1 or Hub # 6 of your power line

## DIAGRAM





## STANDARD WIRING FOR 115V/230V



## BLACK SWITCH PLATE STYLE 56 FRAME

1. Unscrew the cover over the back end of the motor
2. You will see a Black Switch Plate with a middle electric setting. You will turn that to the electric setting that the pump runs on either 115 or 230
3. If you are wiring 230V and AFTER you adjust switch and it shows 230, one wire will go to L1 terminal and the other to L2 terminal. The green wire is placed under the ground screw. The color wires going to terminal 1 and 2 do not matter what terminal they are posted on
4. If you are wiring 115V and AFTER you adjust switch it shows 115, attach the white wire to terminal 1 of line 1 (L1). Attach the black wire to terminal 3 of line 2 (L2). The green ground wire in place under the ground screw
5. Replace the back cover

\* For models 2018 and up.