

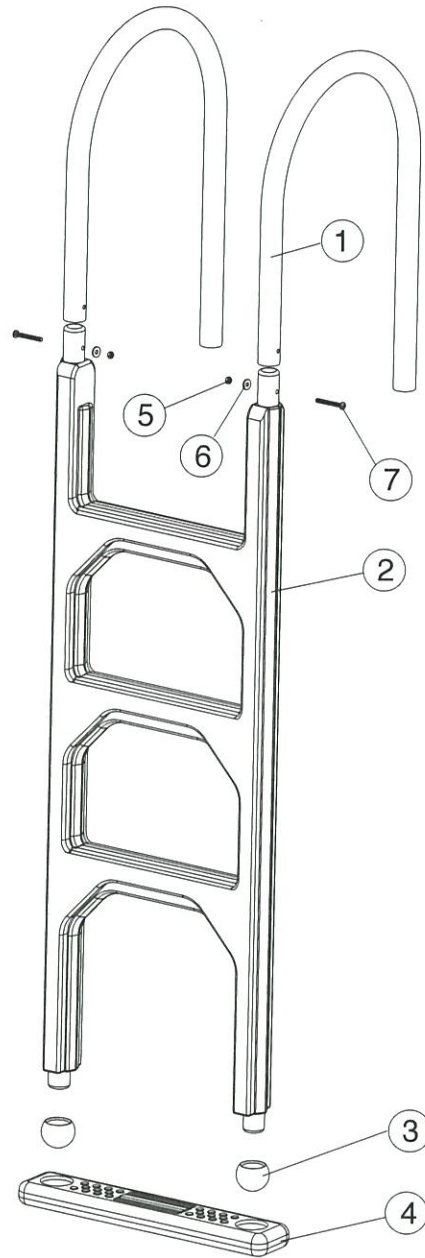
ARUBA IN POOL LADDER

MODEL BS IP210



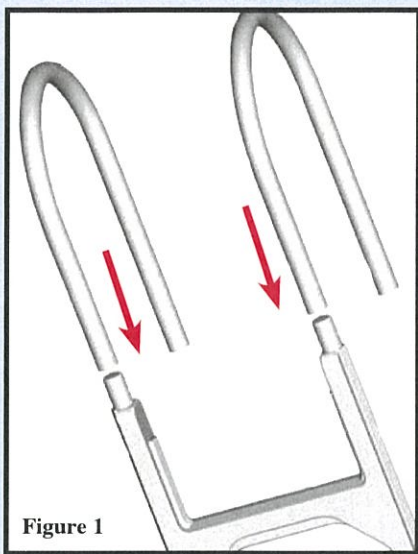
*Congratulations on purchasing
The Aruba In Pool Ladder*

ARUBA IN POOL LADDER PARTS



PART #	MODEL #	DESCRIPTION	QTY
1	BS ALRAIL	Aluminum Handrail	2
2	BS IPSTEP	Ladder Step Assembly	1
3	BS STPBALL	Pivot Balls for Base Step	2
4	BS BOTSTEP	Bottom Step	1
5	BS 210HDWR	Hardware Nut	2
6	BS 210HDWR	Hardware Washer	2
7	BS 210HDWR	Hardware Bolt	2

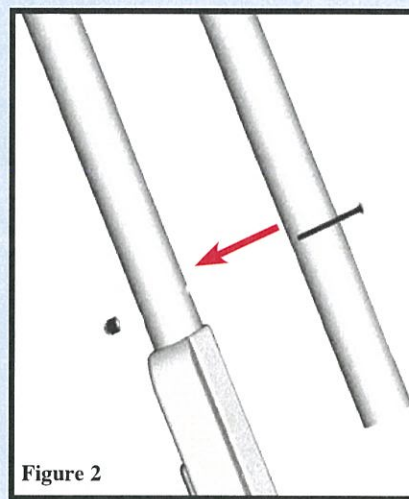
STEP 1



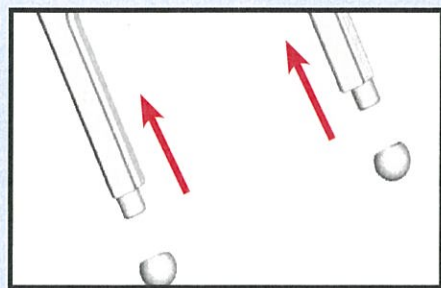
- Slide each of the aluminum handrails (BS ALRAIL) over the posts on the step assembly (BS IPSTEP). See figure 1.
- If you have any difficulty sliding the step onto the post, apply a small amount of lubricant to the posts.

STEP 2

- Align the holes in the handrails (BS ALRAIL) with the holes in the posts of the step assembly (BS IPSTEP)
- Secure the handrail to the step with a nut and bolt from the hardware bag (BS 210HDW). Make sure the head of the bolt is on the inside of the step. See figure 2.



STEP 3



- Slide the pivot balls (BS STPBALL) onto the bottom of each base post as shown in figure 3.
- Make sure both pivot balls are securely fastened to each handrail.

STEP 4

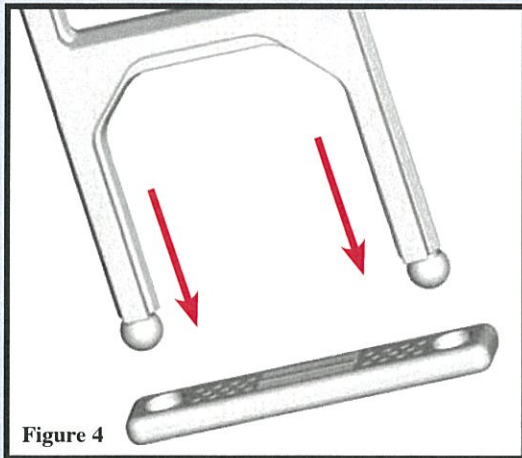


Figure 4

- Place the bottom step (BS BOTSTEP) on the floor facing up. Hold the ladder assembly straight up and align the pivot balls with the receivers on the bottom step.
- Push down firmly until both balls are inserted into the step. See figure 4.

STEP 5

- Place ladder in your desired position on deck **(A)**. Swivel step if needed to align with pool floor. Make sure the base step rests flat against the pool floor. **(B)**
- Mark the location of the handrails on the deck with a pencil. Using a 1 ½" hole saw, drill one hole for each handrail through the deck surface. **(C)** This will ensure that the deck will now support the ladder.
- Secure hand rails to the deck using deck flanges **(D)**. (FLANGES ARE SOLD SEPERATELY)
- Slide the flanges over each handrail. Insert the handrails through the holes in the deck. Secure the flanges to the deck with screws. Secure the flange to the handrail by tightening down the screw in the flange.

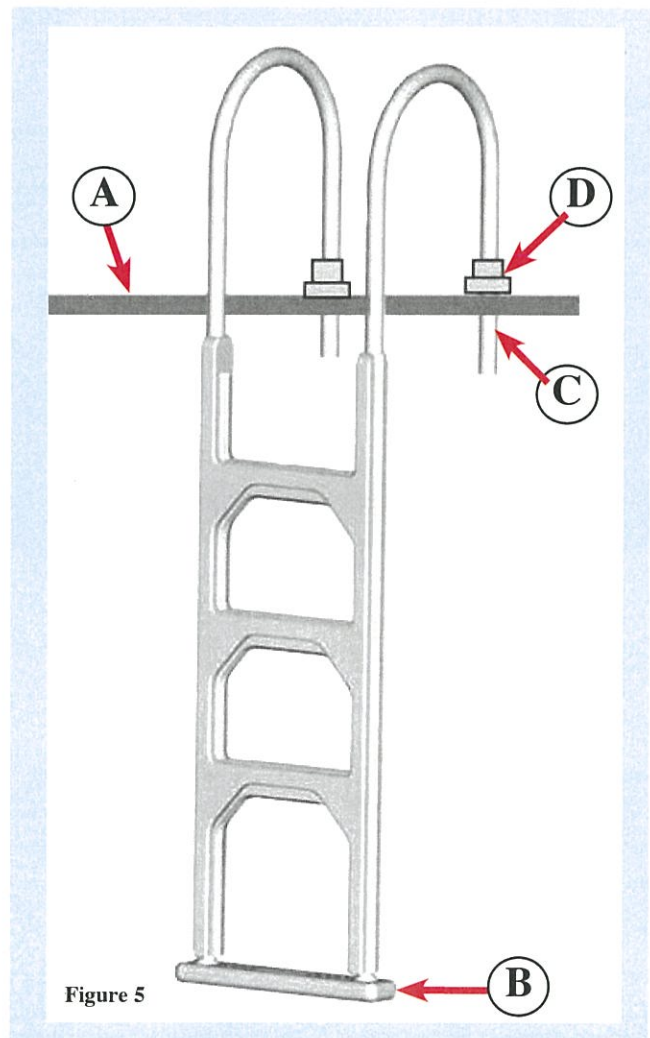


Figure 5

LADDER MATS

- The use of a ladder mat is strongly recommended with any pool ladder. Ladder mats prevent your pool liner from being damaged by slight movements of your pool ladder.



**USE MODEL BS 17922
9" x 24" MAT**

HOW TO INSTALL YOUR LADDER MAT

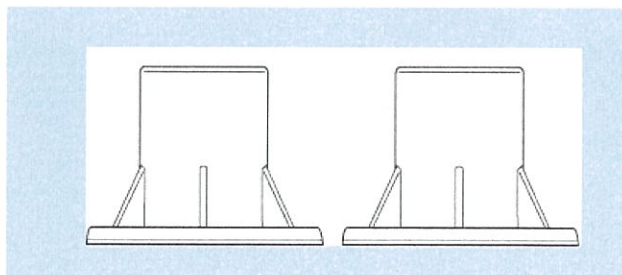
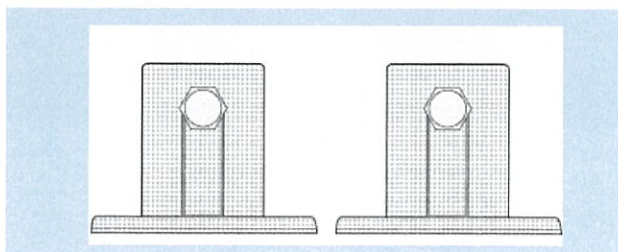
1. Remove ladder mat from packaging
2. Place ladder mat onto the bottom of the pool with the smooth side facing down towards the liner
3. Place fully assembled ladder on top of the ladder mat. Make sure the ladder is centered on the ladder mat
4. Properly secure ladder to your pool

**LADDER MATS ARE
SOLD SEPARATELY
FOR YOUR POOL LADDER**

LADDER FLANGES

- Ladder Flanges are used to secure your ladder to your deck.
 - BS 55689 Blue Metal
 - BS 55697 Silver Metal
 - BS 35971 White Metal

**FLANGES ARE
SOLD SEPARATELY**



• BS 35998 Plastic

DANGER

WARNING

To prevent
Entrapment or
Drowning,
DO NOT SWIM
through, behind
or around the
ladder

DANGER

**SAFETY
NOTICE
IMPORTANT**

**PLEASE
READ
BEFORE
USING
THIS
LADDER**

WARNING

This ladder is
designed and
manufactured for
**Aboveground,
Semi-Inground
Flat Bottom
Pools**
48", 52" and 54"
in wall height
and pool decks
48", 52" and 54"
in height

WARNING