

# BARBADOS STAINLESS STEEL IN POOL LADDER

## MODEL AC 22268

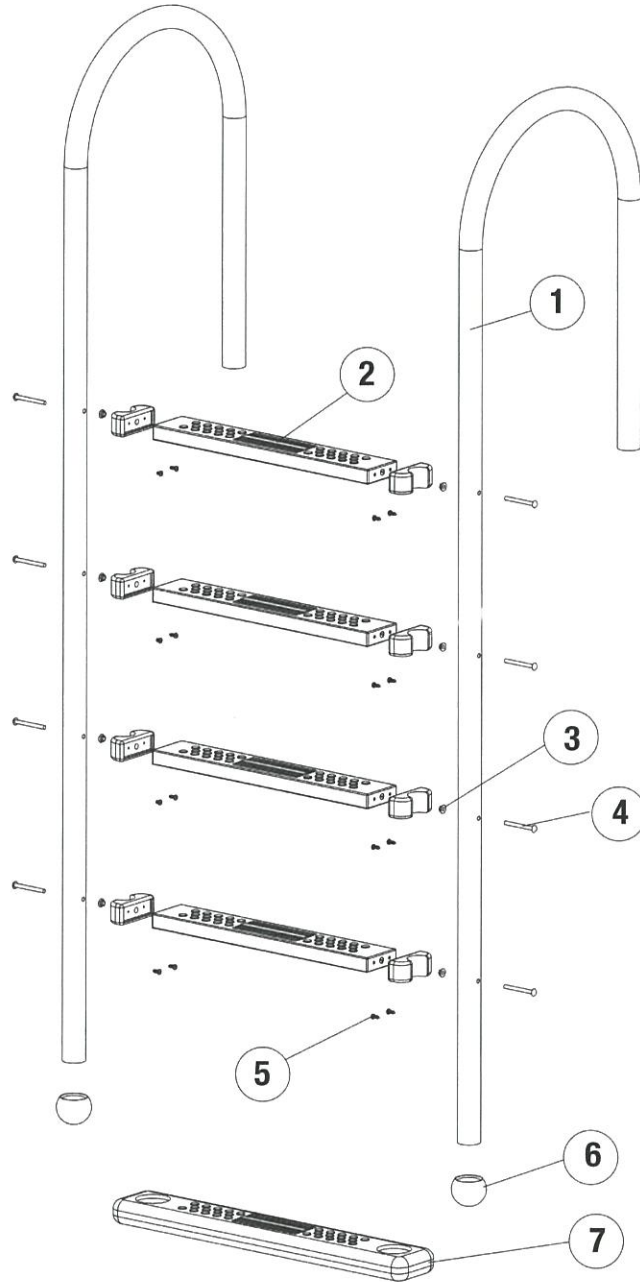


*This ladder is designed for use with a Deck to provide entry into the pool for 48" and 52" Aboveground pools. DO NOT ATTEMPT TO USE THIS LADDER WITHOUT A DECK as injury may occur.*

### **TOOLS REQUIRED**

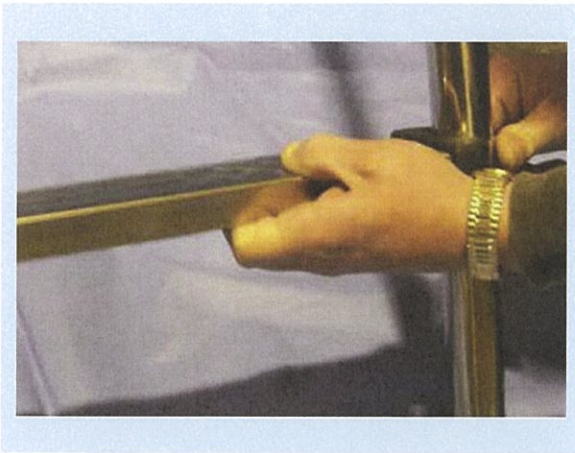
- Phillips head screwdriver
- Rubber mallet (optional)
- 1-1/2" hole saw
- Pencil or chalk
- Pliers
- Flanges (sold separately)

# BARBADOS STAINLESS STEEL IN POOL LADDER PARTS



PART #	MODEL #	DESCRIPTION	QTY
1	AC IPSSRAIL	Stainless Steel Handrail	2
2	AC 22411	Ladder Steps	4
3	AC 22268HDW	Hardware Bag	1
4	AC 22268HDW	Hardware Bag	1
5	AC 22268HDW	Hardware Bag	1
6	BS STPBALL	Step Ball	1
7	AC 22438	Bottom Step	1

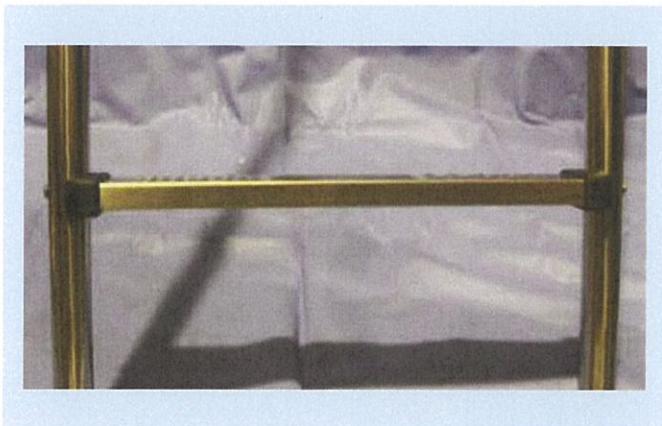
## STEP 1



- Locate both rails (AC IPSSRAIL) and stand them up with the curved ends at the top.
- The rails are interchangeable, it does not matter which one is placed on the right or left. There are four sets of holes on the rails and the steps may be installed in any order.
- Insert one step (AC 22411) between the two rails and line up the holes on the sides of the step with a set of the pre-drilled holes on the ladder. Make sure the treads are facing up towards the curved part of the rails.

## STEP 2

- To secure the step, place one bolt from hardware bag (AC 22268HDW) through the pre-drilled hole from the outside of the ladder and through the pre-drilled hole on the step.



- Once the bolt is through the opening in the step, place one nut from the hardware bag over the bolt underneath the step as shown.
- Screw the nut onto the bolt and hand tighten.
- Repeat for three remaining steps.
- Once all four steps are in place you will need to tighten all bolts completely. Use a pair of pliers to hold each nut in place and tighten each bolt with a Phillips head screwdriver.

### STEP 3



- Push one pivot ball (BS STPBALL) onto the round bottom opening of the ladder. The rounded end should face downward.
- You may need to use force or gently tap the pivot ball into place with a rubber mallet to get it properly positioned.
- Repeat for second rail and other pivot ball.
- Check to ensure that both pivot balls are fastened securely as these are what hold the ladder onto the bottom step.

### STEP 4

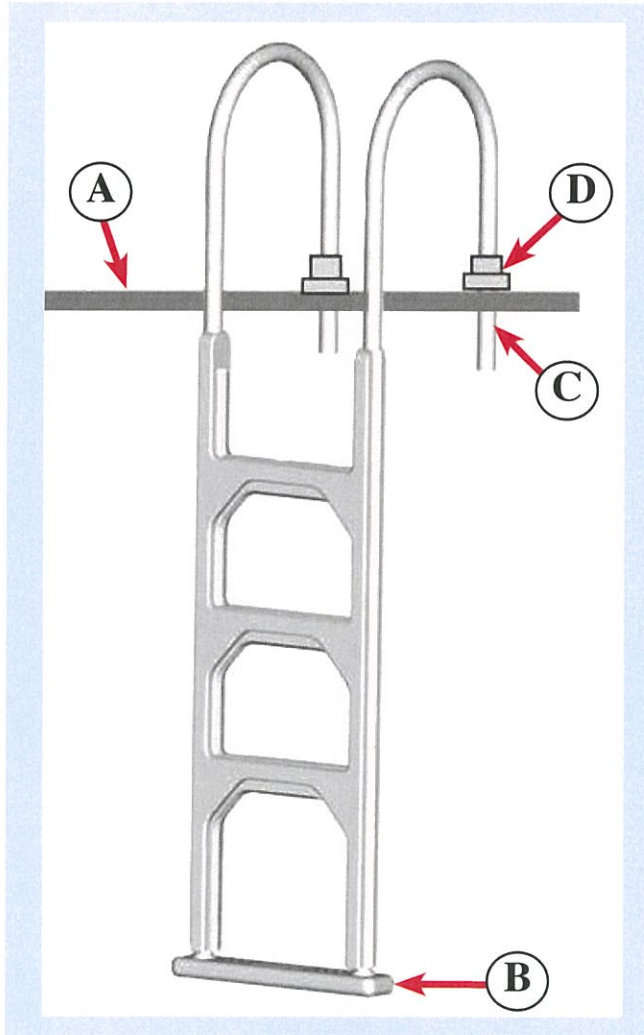
- Place the bottom step (AC 22438) on a hard, level surface with the recessed areas facing upwards.
- Hold the ladder assembly over the bottom step and align the pivot balls with the round recessed areas on the bottom step.
- Push down firmly until both pivot balls click into place.
- Standing with the ladder in front of you, push the ladder forward and pull it back towards you to check that pivot balls are in place. The ladder should swivel forward and backward, and the pivot balls should not pop out of place.



#### **NOTE:**

- You may need to use some force to get the pivot balls to click into place.

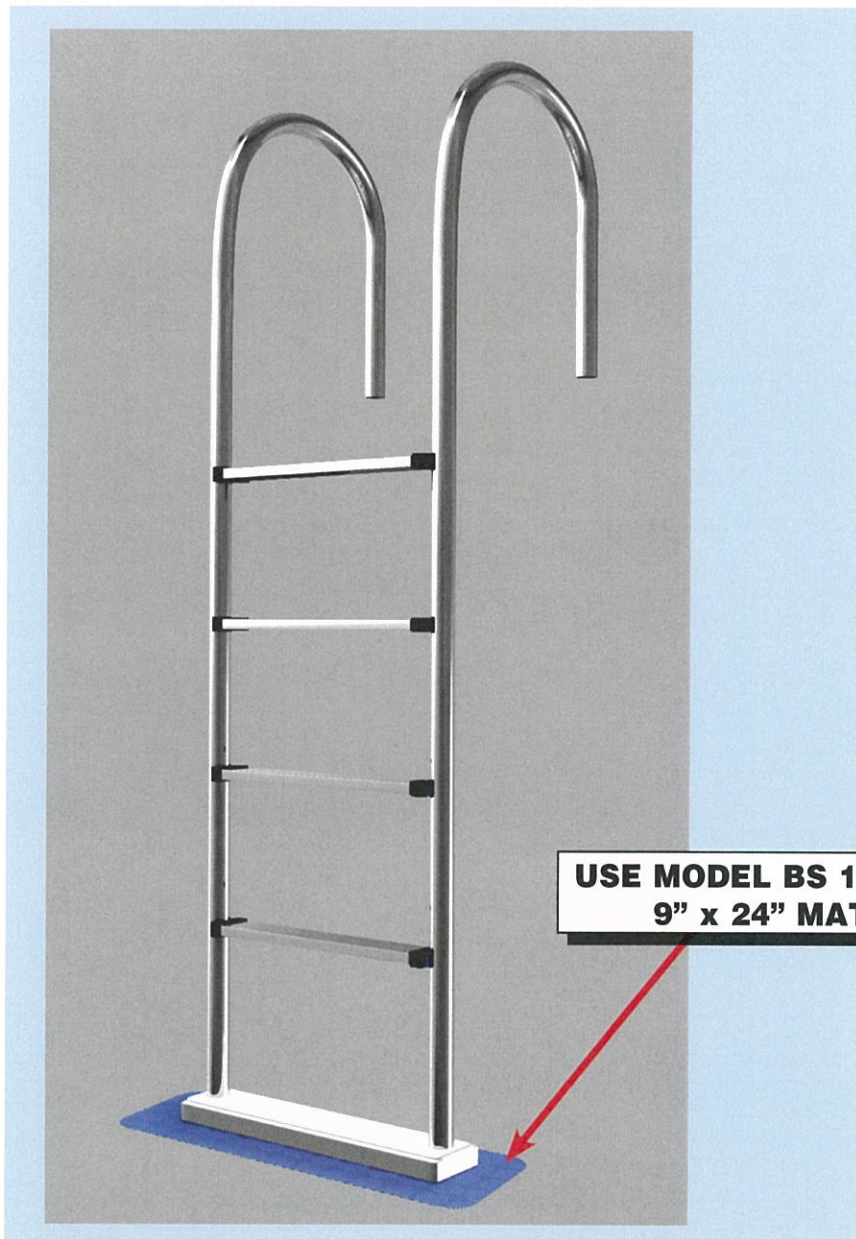
## STEP 5



- Place ladder in your desired position on deck (A). Swivel step if needed to align with pool floor. Make sure the base step rests flat against the pool floor. (B)
- Mark the location of the handrails on the deck with a pencil. Using a 1 ½" hole saw, drill one hole for each hand rail through the deck surface (c). This will ensure that the deck will now support the ladder.
- Secure hand rails to the deck using deck flanges (D). (FLANGES ARE SOLD SEPERATELY)
- Slide the flanges over each handrail. Insert the handrails through the holes in the deck. Secure the flanges to the deck with screws. Secure the flanges to the handrail by tightening down the screw in the flanges.

## LADDER MATS

- The use of a ladder mat is strongly recommended with any pool ladder. Ladder mats prevent your pool liner from being damaged by slight movements of your pool ladder.



**USE MODEL BS 17922  
9" x 24" MAT**

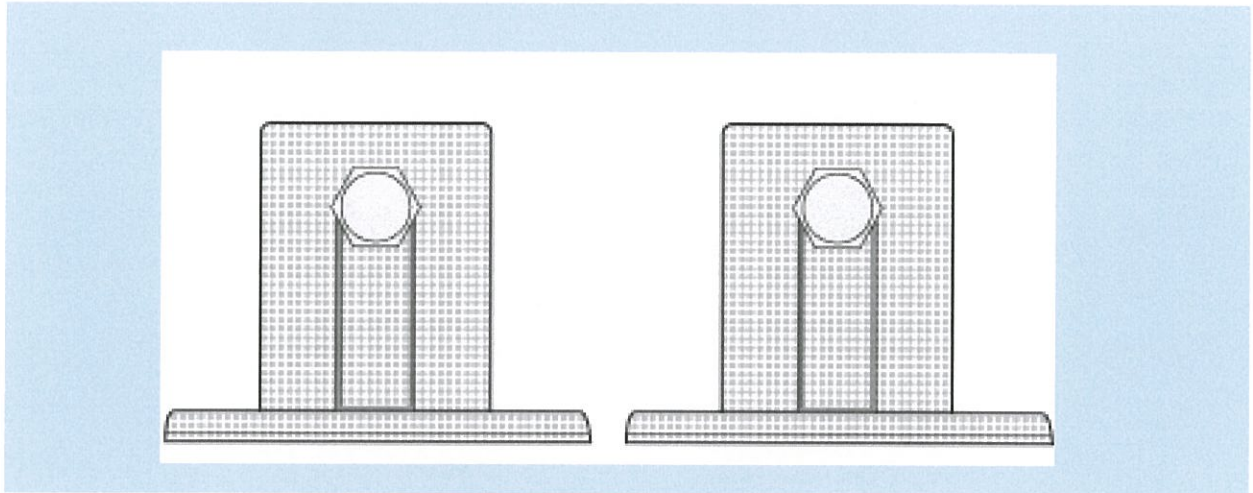
## HOW TO INSTALL YOUR LADDER MAT

1. Remove ladder mat from packaging
2. Place ladder mat onto the bottom of the pool with the smooth side facing down towards the liner
3. Place fully assembled ladder on top of the ladder mat. Make sure the ladder is centered on the ladder mat
4. Properly secure ladder to your pool

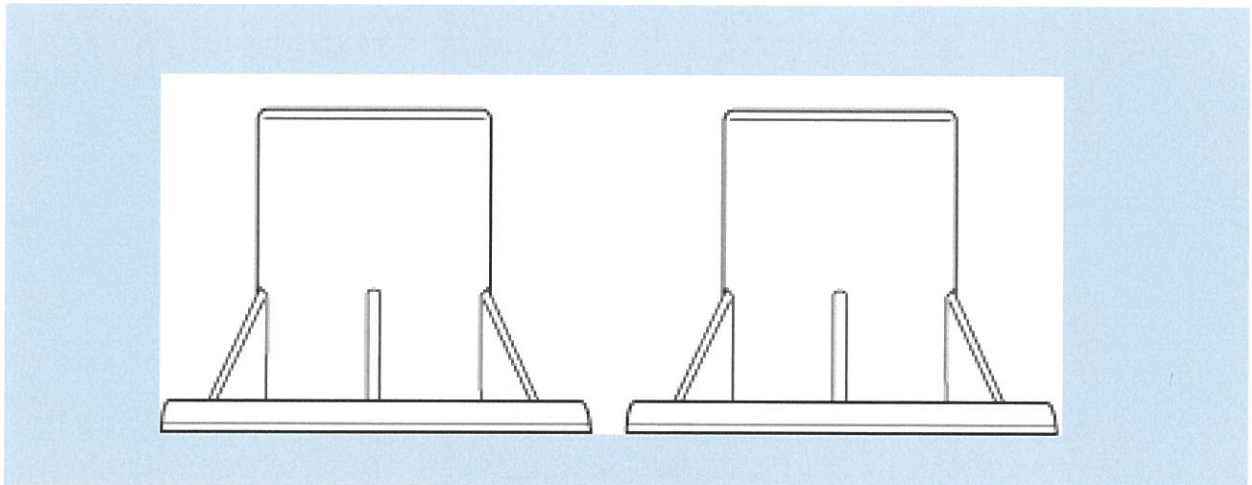
**LADDER MATS ARE SOLD SEPARATELY**

## LADDER FLANGES

- Ladder Flanges are used to secure your ladder to your deck.



- BS 55689 Blue Metal
- BS 55697 Silver Metal
- BS 35971 White Metal



- BS 35998 Plastic

**FLANGES ARE SOLD SEPARATELY  
FROM YOUR POOL LADDER**

**DANGER**

**WARNING**

To prevent  
Entrapment or  
Drowning,  
**DO NOT SWIM**  
through, behind  
or around the  
ladder

**DANGER**

**SAFETY  
NOTICE  
IMPORTANT**

**PLEASE  
READ  
BEFORE  
USING  
THIS  
LADDER**

**WARNING**

This ladder is  
designed and  
manufactured for  
**Aboveground,  
Semi-Inground  
Flat Bottom  
Pools**  
48", 52" and 54"  
in wall height  
and pool decks  
48", 52" and 54"  
in height

**WARNING**