



est. 1931

# UNDERSTRUCTURE ASSEMBLY

## MOUNTING PULL-OUT PRINTER STAND

### HARDWARE REQUIRED:



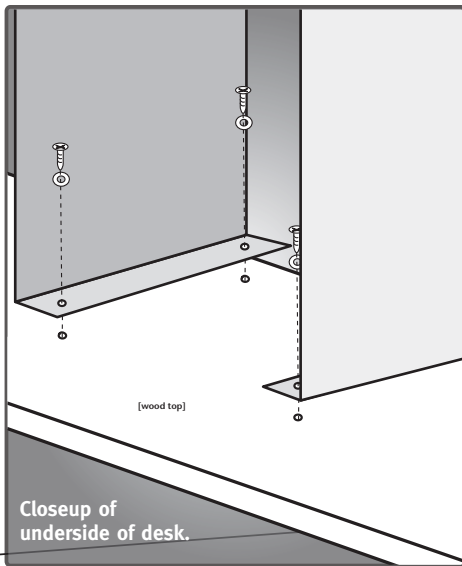
4 screws  
10-24



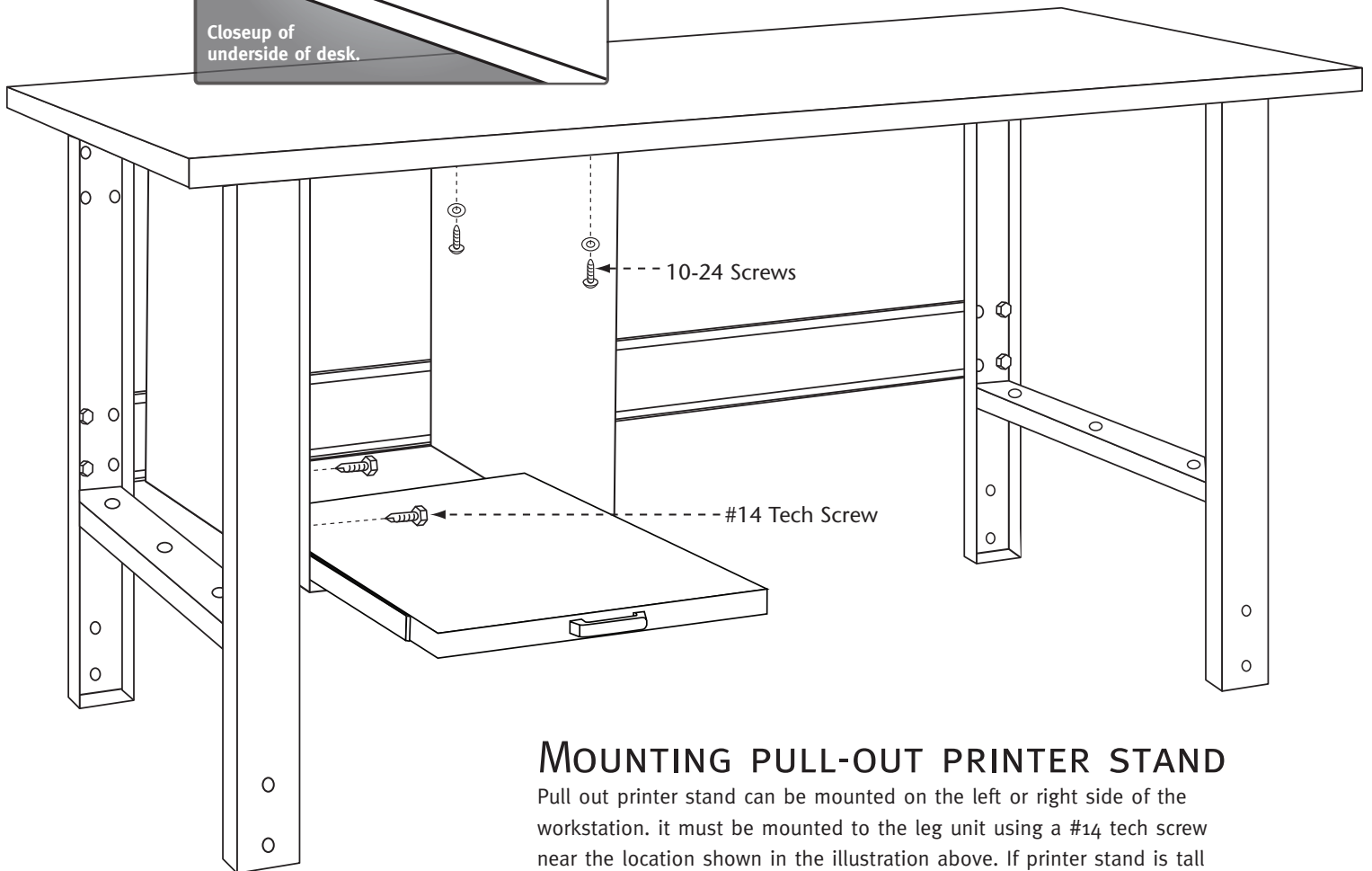
4 washers



2- #14 tech  
screw



Closeup of underside of desk.



10-24 Screws

#14 Tech Screw

### MOUNTING PULL-OUT PRINTER STAND

Pull out printer stand can be mounted on the left or right side of the workstation. It must be mounted to the leg unit using a #14 tech screw near the location shown in the illustration above. If printer stand is tall enough to extend below the leg strut then install another #14 tech screw in this area also.