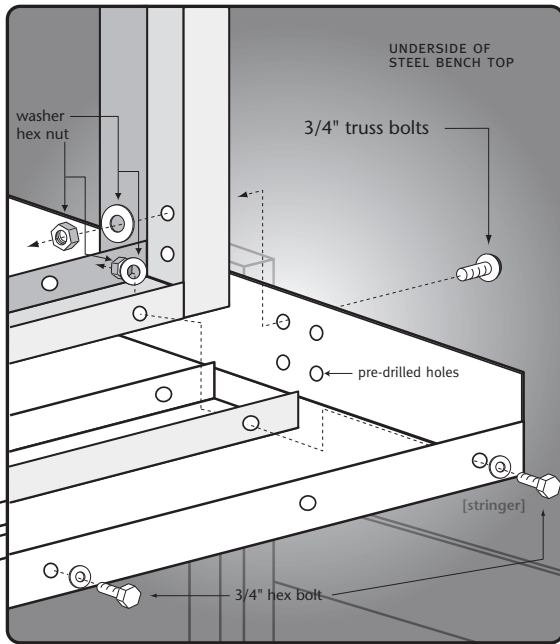




UNDERSTRUCTURE ASSEMBLY

MOUNTING LEGS TO ECONO-TOPS



HARDWARE REQUIRED:



2 truss bolts
3/4" long



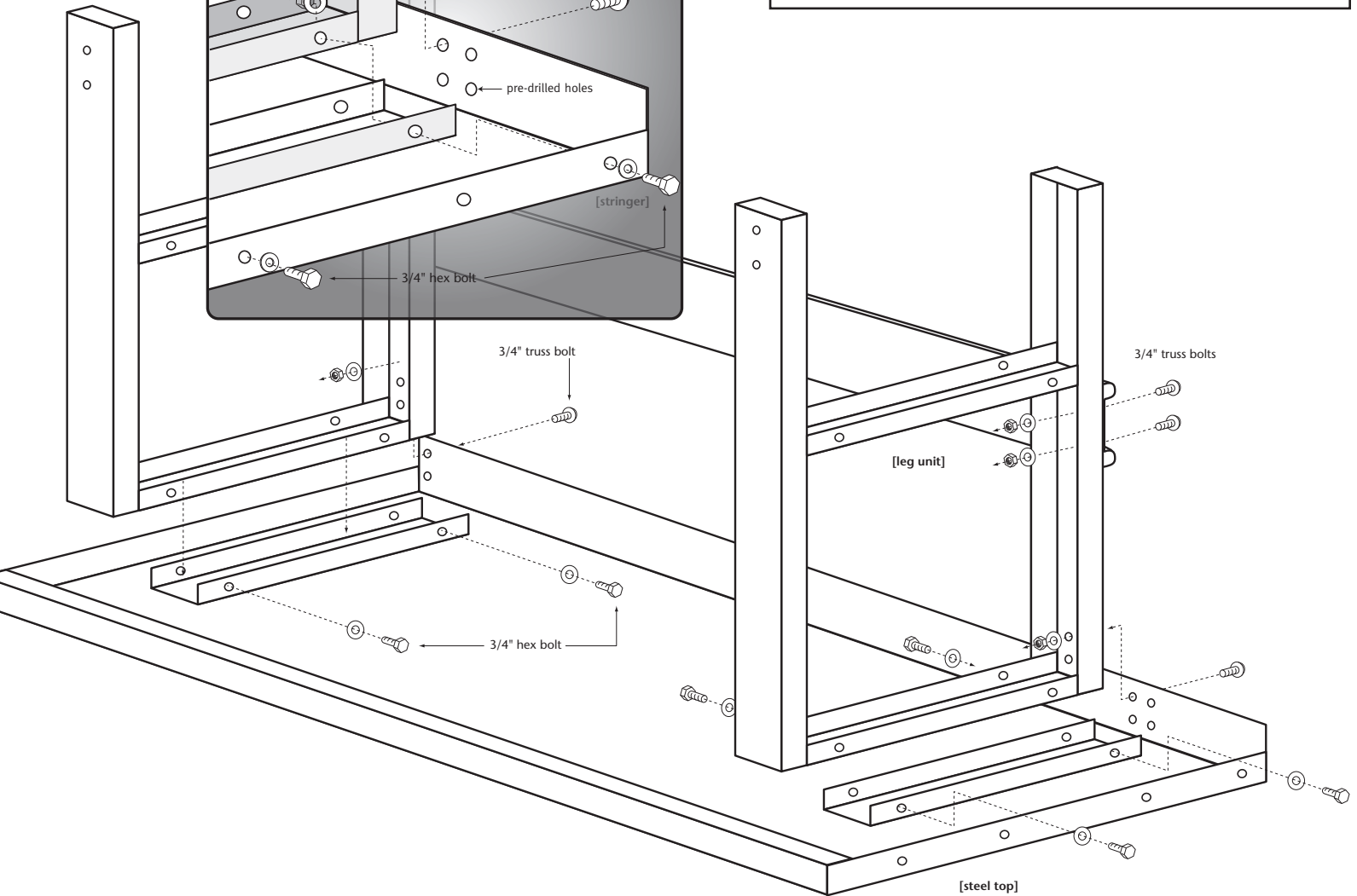
8 tap bolts 3/4" long



18 washers



10 hex nuts



MOUNTING LEGS TO STEEL TOPS:

Place bench top upside down on floor. Place leg unit in receiver as shown. Put tap bolts with washers thru holes in receiver and holes in leg unit. Repeat procedure for other leg. Tighten all bolts securely using washers and nuts provided.