

UNDERSTRUCTURE ASSEMBLY

MOUNTING LEGS TO HEAVY-DUTY STEEL TOPS.

HARDWARE REQUIRED:



6 truss bolts
3/4" long



12 tap bolts
3/4" long



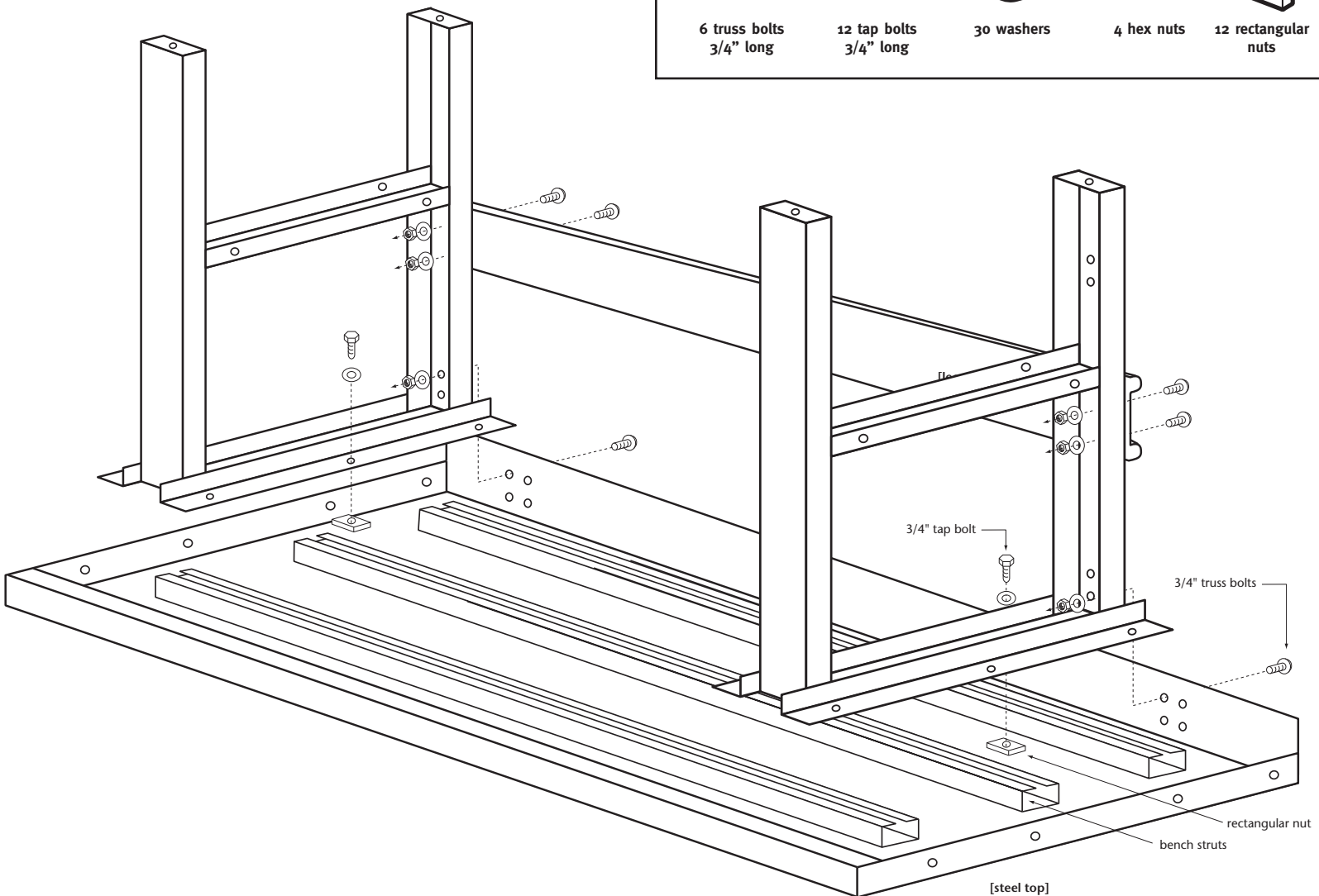
30 washers



4 hex nuts



12 rectangular
nuts



MOUNTING LEGS TO HEAVY-DUTY STEEL TOPS.

Place bench top upside down on floor. Put tap bolts with washers thru holes in leg as shown above. Line up holes on back of bench with outside holes on back of leg. Loosely thread rectangular nuts onto all tap bolts, stopping with nuts parallel to bench struts. Slide leg onto bench struts so that tap bolts are in slots of struts, and rectangular nuts are inside struts. Insert truss bolts thru holes and tighten with washers and hex nuts provided. Tighten up all tap bolts, being sure rectangular nuts are turned clockwise as far as possible. **If mounting a drawer, mount drawer first, using same hardware and procedures as for legs.**