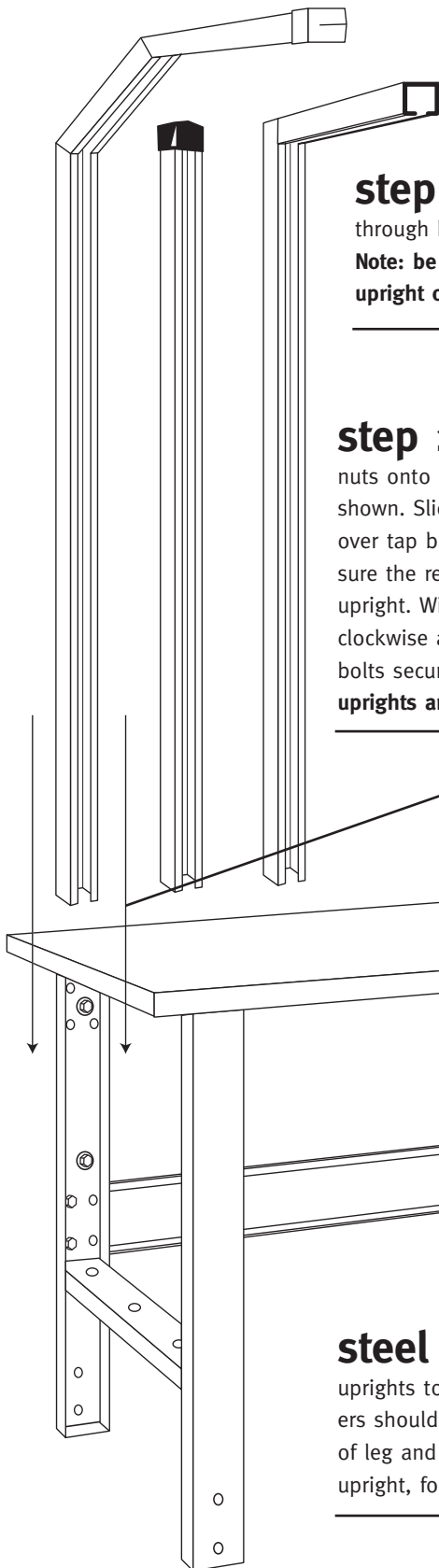


# OVERHEAD STRUCTURE ASSEMBLY

## ATTACHING UPRIGHTS TO LEG STRUCTURES



**step 1:** Insert tap bolts with washers through holes in rear upright as shown below.

**Note:** be sure to use the center holes on rear upright of bench leg.

**step 2:** Loosely thread square nuts onto tap bolts with washers as shown. Slide overhead upright down over tap bolts to top of stringer. Be sure the rectangular nuts are inside the upright. With rectangular nuts turned clockwise as far as possible, tighten tap bolts securely. **Note:** make sure that the uprights are level before tightening.

**steel tops:** When attaching uprights to Steel Top, provided spacers should be placed in between back of leg and upright. (Two spacers per upright, four spacers per bench)

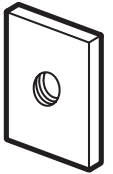
### HARDWARE REQUIRED:



4 tap bolts 3/4" long



4 washers



4 square nuts

