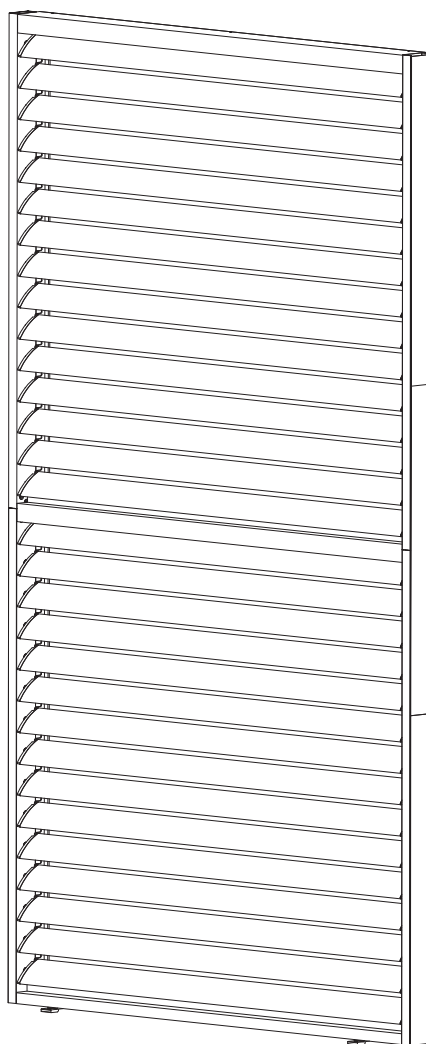
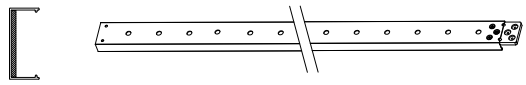

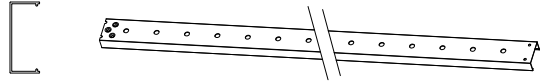

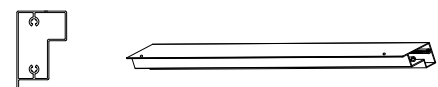
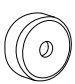

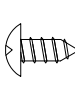
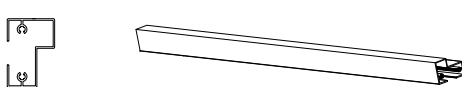
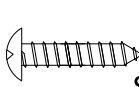

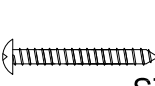
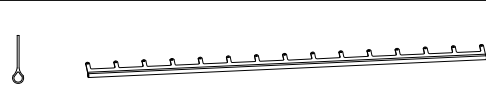
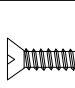
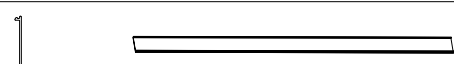
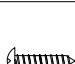
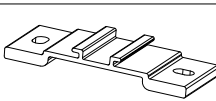
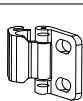
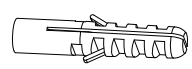
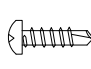
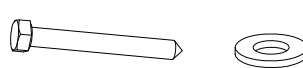
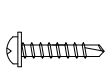

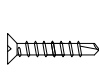


# 9720 Pergola

## User's Manual



# Bill of Materials List

A		2pcs	III	5		4pcs	
B		2pcs		6		4pcs	
C		1pcs		7		4pcs	
D		1pcs		8		4pcs ST4.2*10	
E		1pcs	IV	9		8pcs ST4.8*20	
F		30pcs		10		4pcs ST4.8*40	
G		2pcs		11		6pcs M5*12	
H		6pcs	V	12		30pcs ST2.2*14	
I	1		2pcs	VI	13		2or3pcs
	2		4pcs		14		4or6pcs C-ST4.2*16
	3		4pcs	VIII	15		2pcs for 90cm 3pcs for 123cm C-ST4.2*25
II	4		60pcs		16		2pcs C-ST4.2*38

# Kinder Reminder

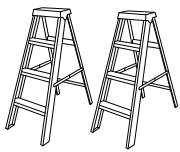
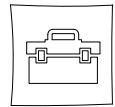
## General Guidelines

- After installing the sliding door, please keep this manual for future use;
- Please carefully read the following instructions before assembly;
- This manual may not include every detail and a considerable number of steps;
- When you need further information or any assistance, please contact us;

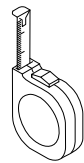
## Kind Notes

- Please open the blinds in strong winds or other extreme weather conditions to avoid potential damage to the greenhouse in the event of adverse weather.

## What you may need?



Ladder x2



Tape line



Mallet

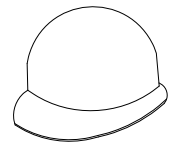


Glove

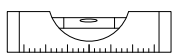


Ø10mm

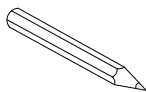
electric screw driver



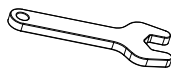
Safety hat



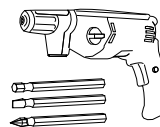
Level



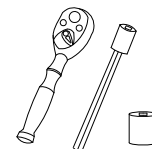
Marker Pen



Wrench



screwdriver or electric screwdriver



Sleeve tool

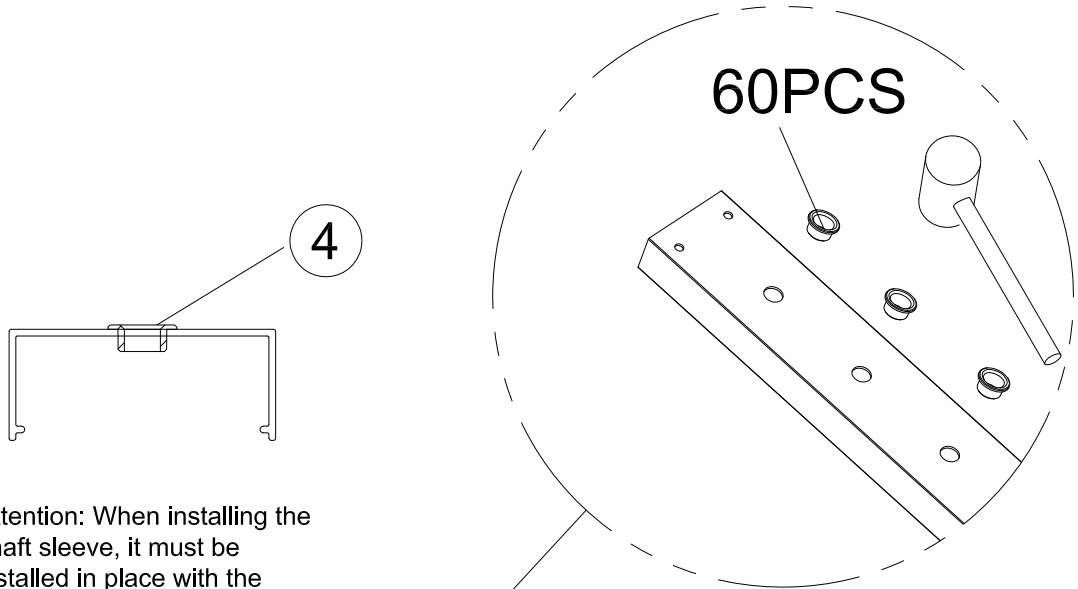


4#/6#

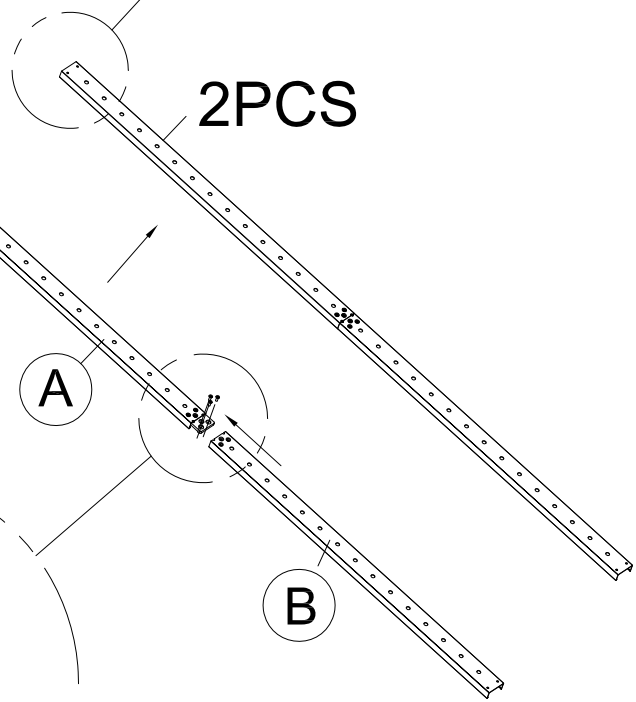
Allen key




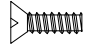
# **Step-by-step Instructions for Installation**

# 1. Install the shaft sleeve and assemble the side pillar frame

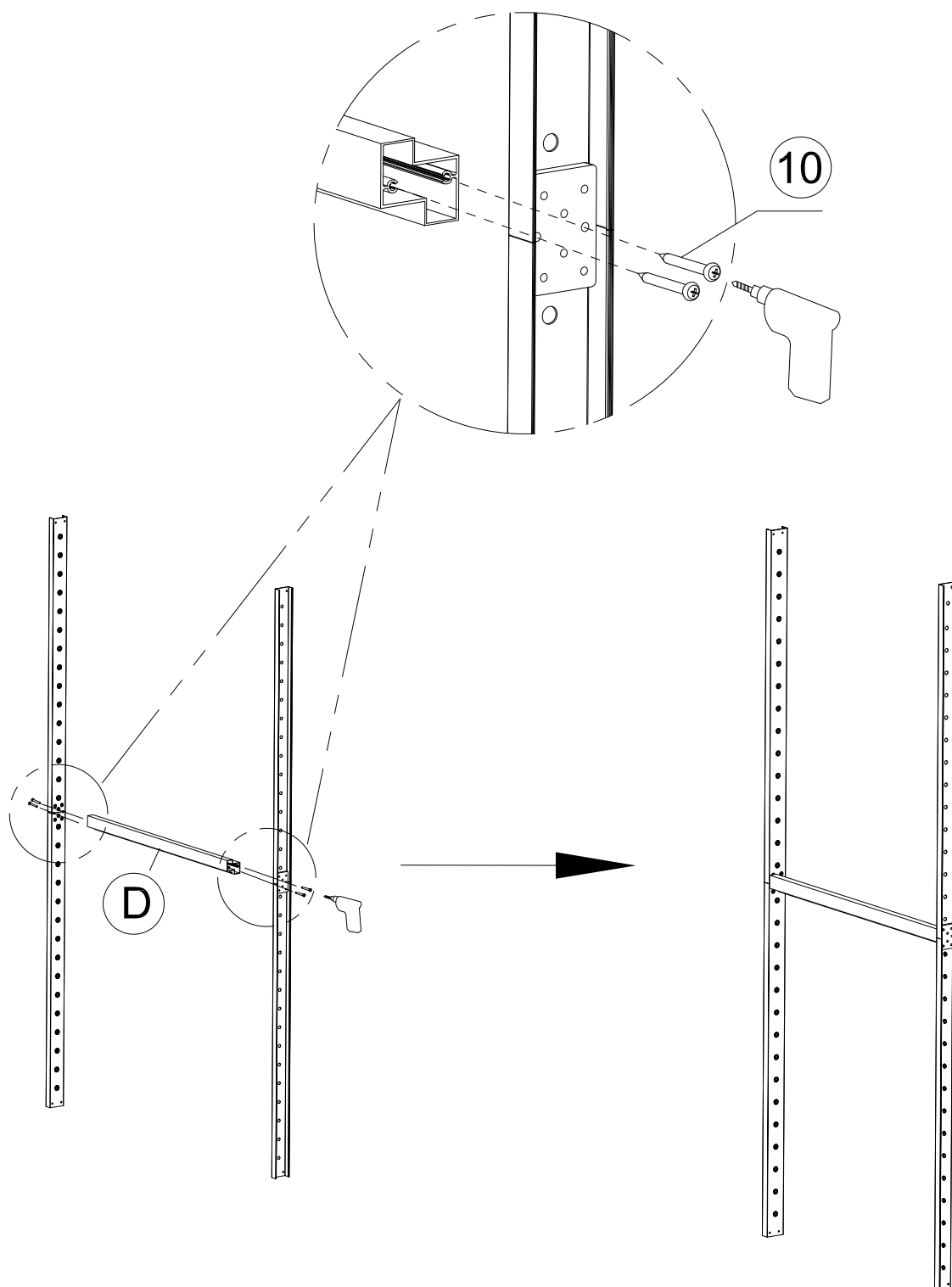


Attention: When installing the shaft sleeve, it must be installed in place with the side column frame to avoid affecting the subsequent installation of the louvers



A		QTY:2PCS	
B		QTY:2PCS	
4		QTY:60PCS	
	11	 M5*12	QTY:6PCS

## 2.1 Install the middle beam



**D**



QTY:2PCS

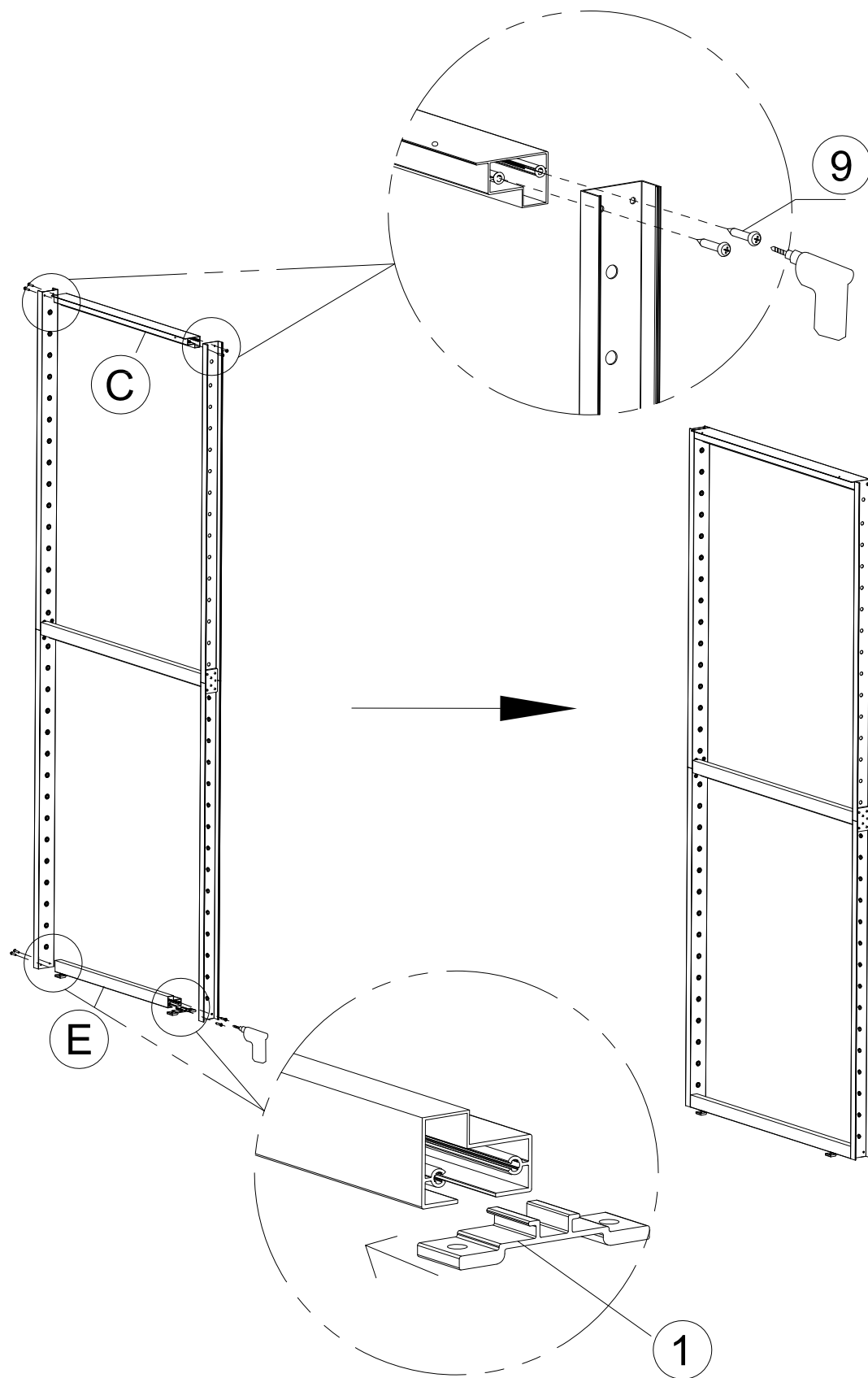
**10**

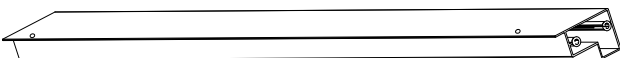
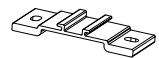
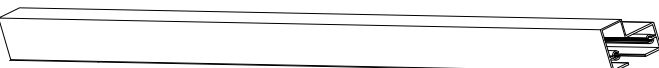
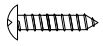


QTY:4PCS

ST4.8\*40

## 2.2 Install upper and lower beams as well as supports



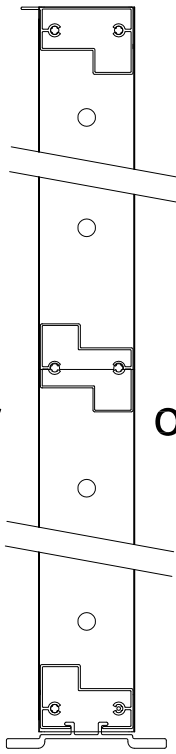
C		QTY:1PCS	1		QTY:2PCS
E		QTY:1PCS	9		QTY:8PCS ST4.8*20



Attention

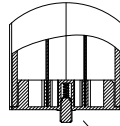
in door

out door

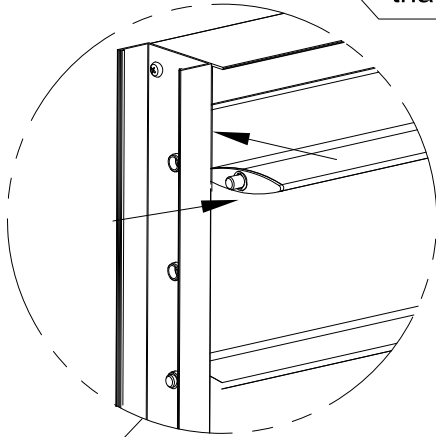




### 3. Installing louvers

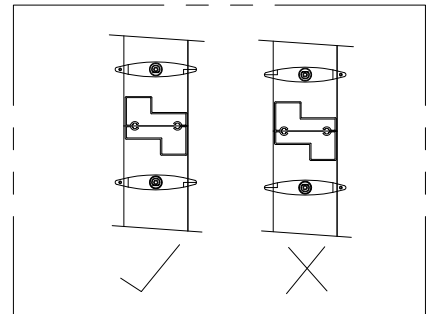
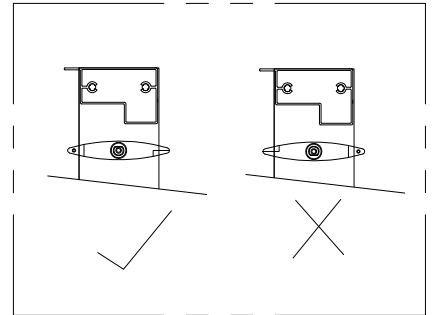


There are springs inside the shaft that can be extended and retracted

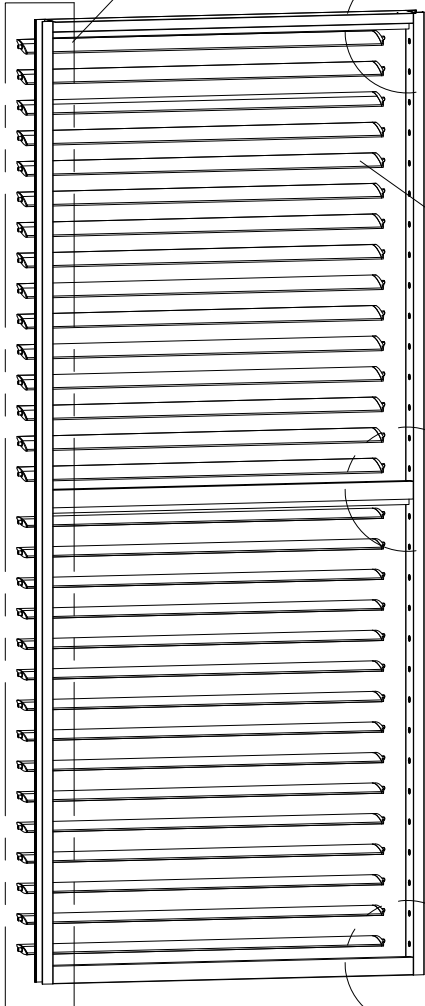
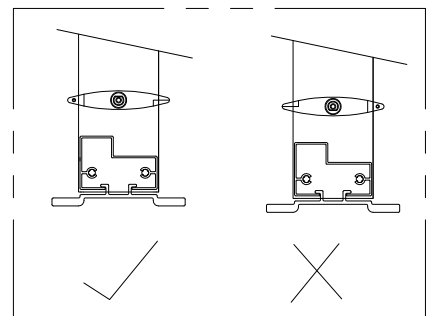


1. Press the pin shaft inward during installation
2. Assemble in the direction of the shaft sleeve again

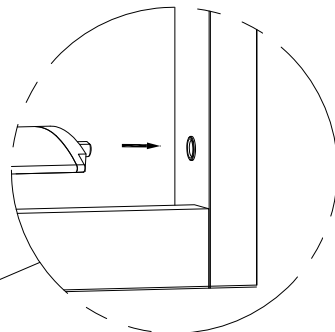
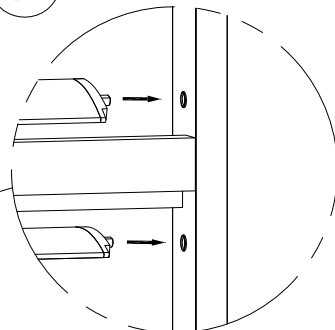
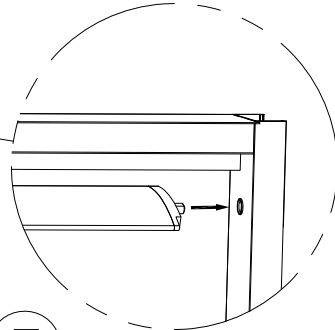
Insert the fixed shaft end of the louver into the shaft hole of the edge beam first



Attention: When installing these 4 louvers, it is necessary to pay attention to the direction of the screw holes on the cover and install them as shown in the figure



F



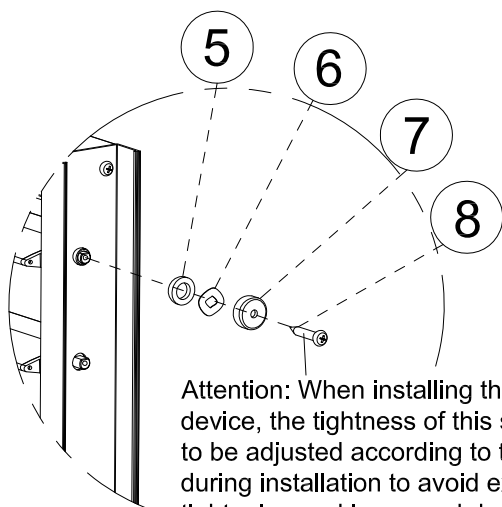
F



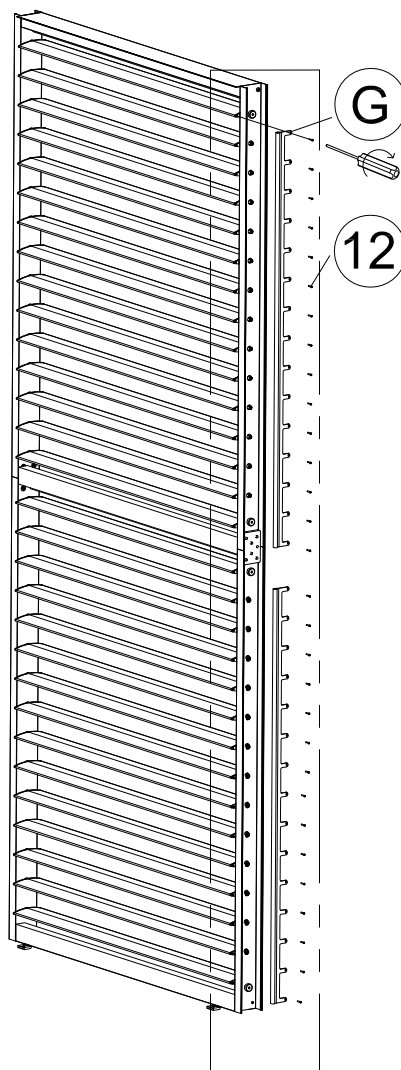
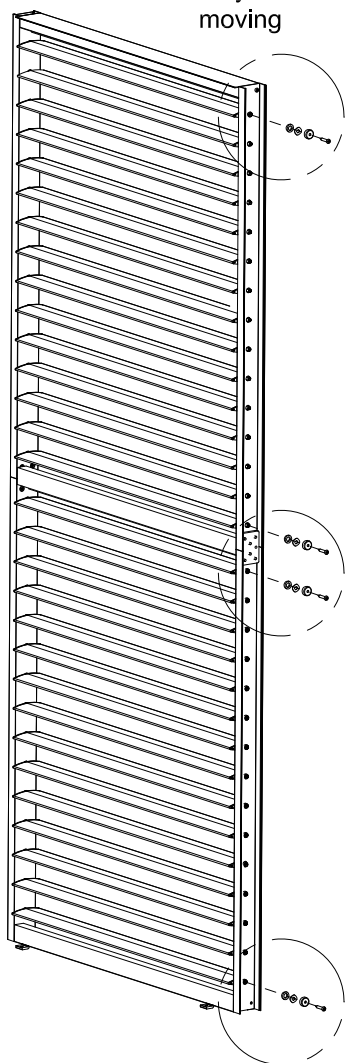
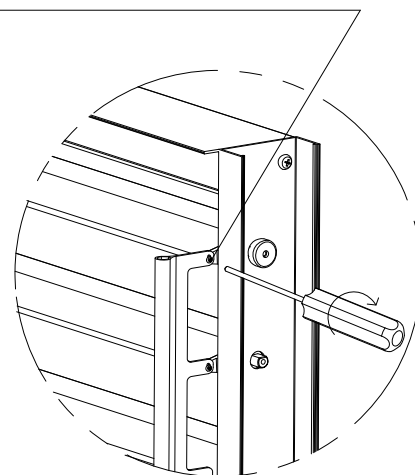
QTY:30PCS

## 4. Install damping device and connecting rod

Attention: The screws cannot be tightened and there needs to be some gap for the louver to move (If tightened, the blinds will get stuck and will not flip.)



Attention: When installing the damping device, the tightness of this screw needs to be adjusted according to the needs during installation to avoid excessive tightening and increased damping, which may cause the louver to rotate without moving



**5**  QTY:4PCS

**6**  QTY:4PCS

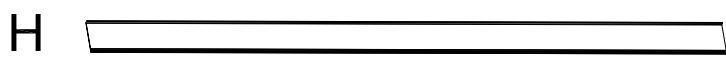
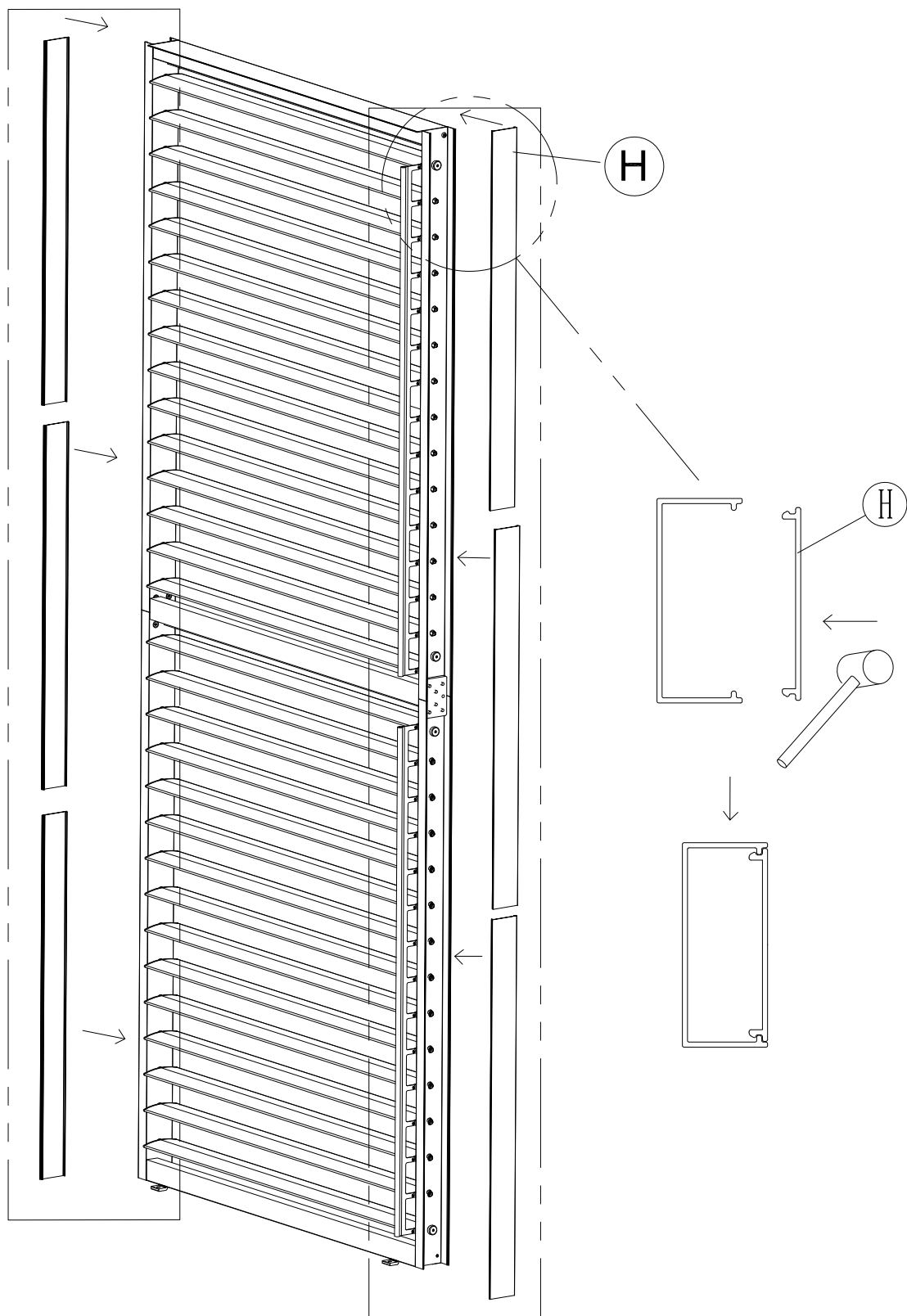
**G**  QTY:2PCS

**7**  QTY:4PCS

**8**  ST4.2\*10 QTY:4PCS

**12**  ST2.2\*14 QTY:30PCS

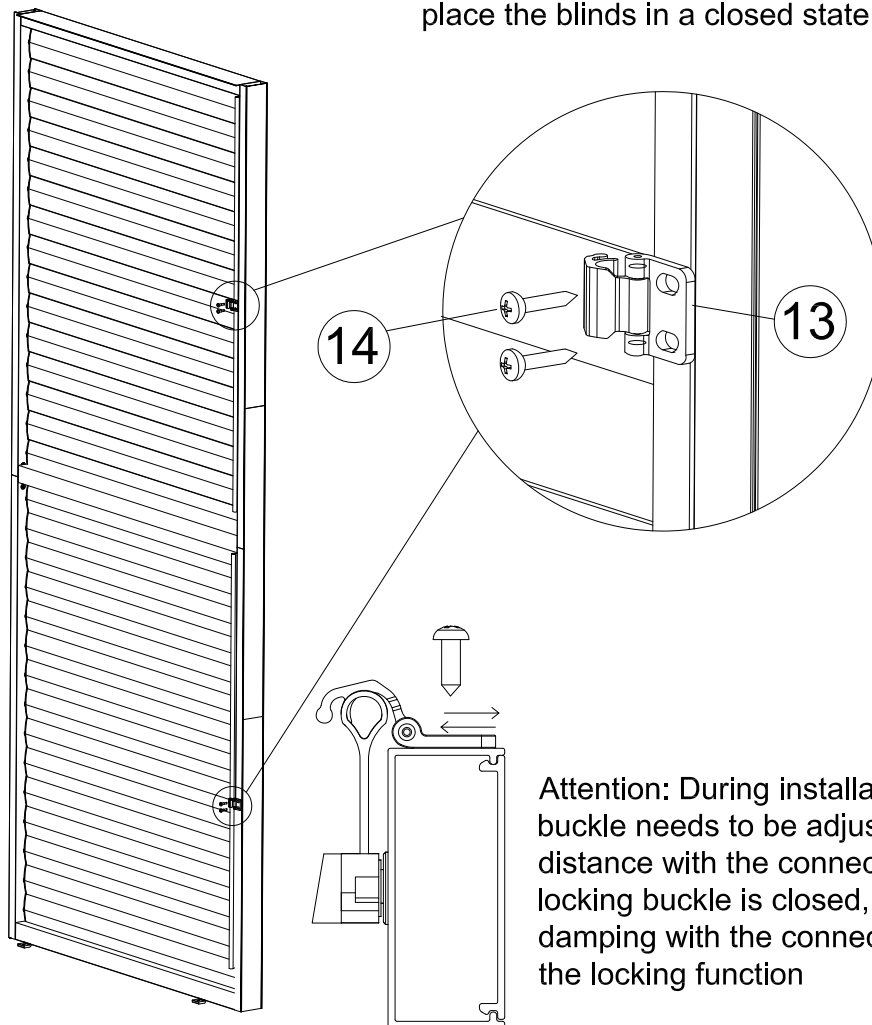
# 5. Installing cover plate



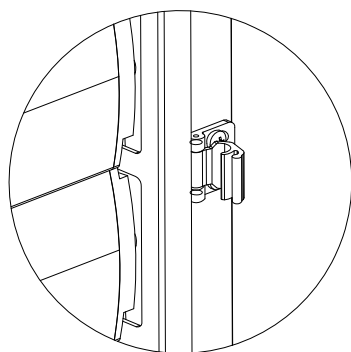
QTY:6PCS

## 5. Installing lock buckles

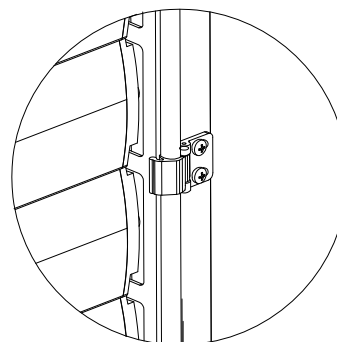
When installing the lock buckle, first place the blinds in a closed state



Attention: During installation, the locking buckle needs to be adjusted to match the distance with the connecting rod. When the locking buckle is closed, it needs to have damping with the connecting rod to achieve the locking function



The blinds can be freely flipped when the latch is opened



The blinds cannot be flipped when the latch is closed

13



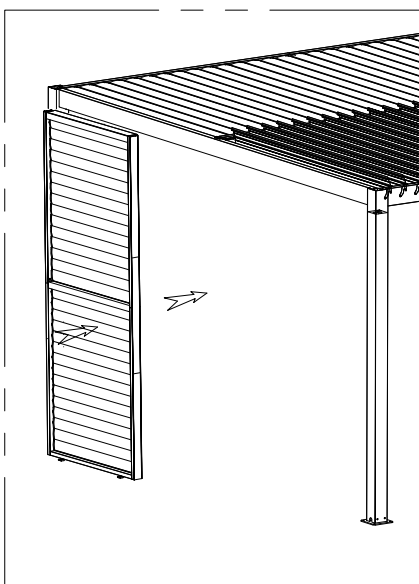
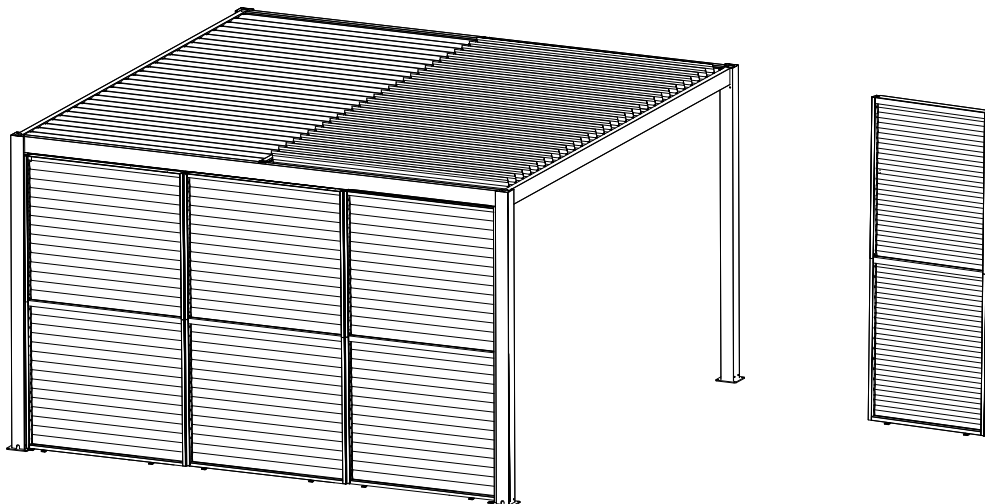
QTY:2or3pcs

14

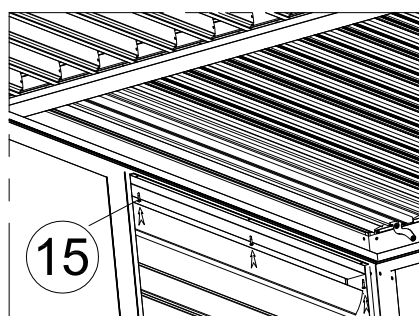
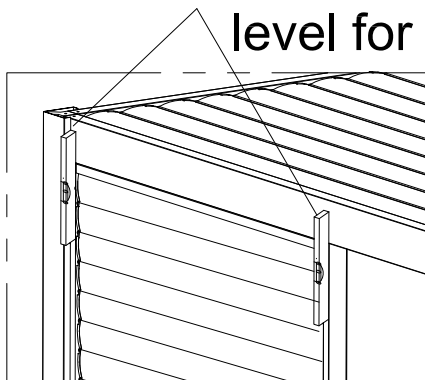


QTY:4or6PCS  
C-ST4.2\*16

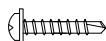
## 7. Assemble with the cooling canopy



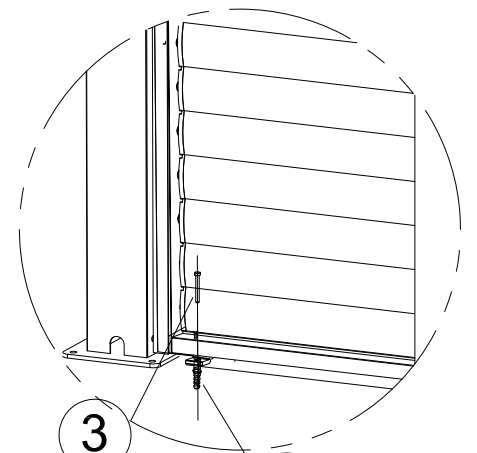
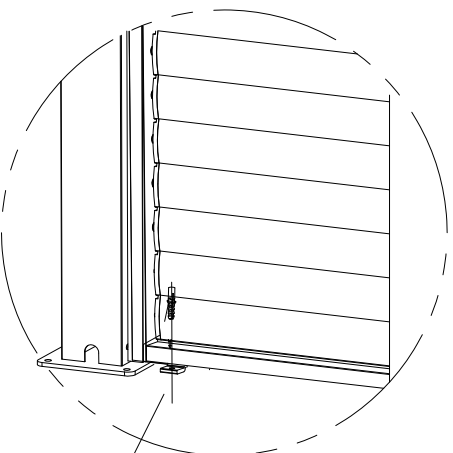
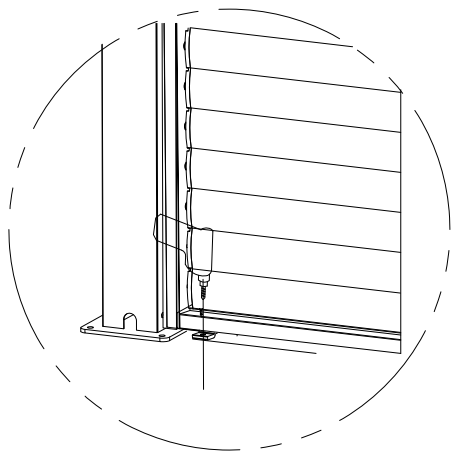
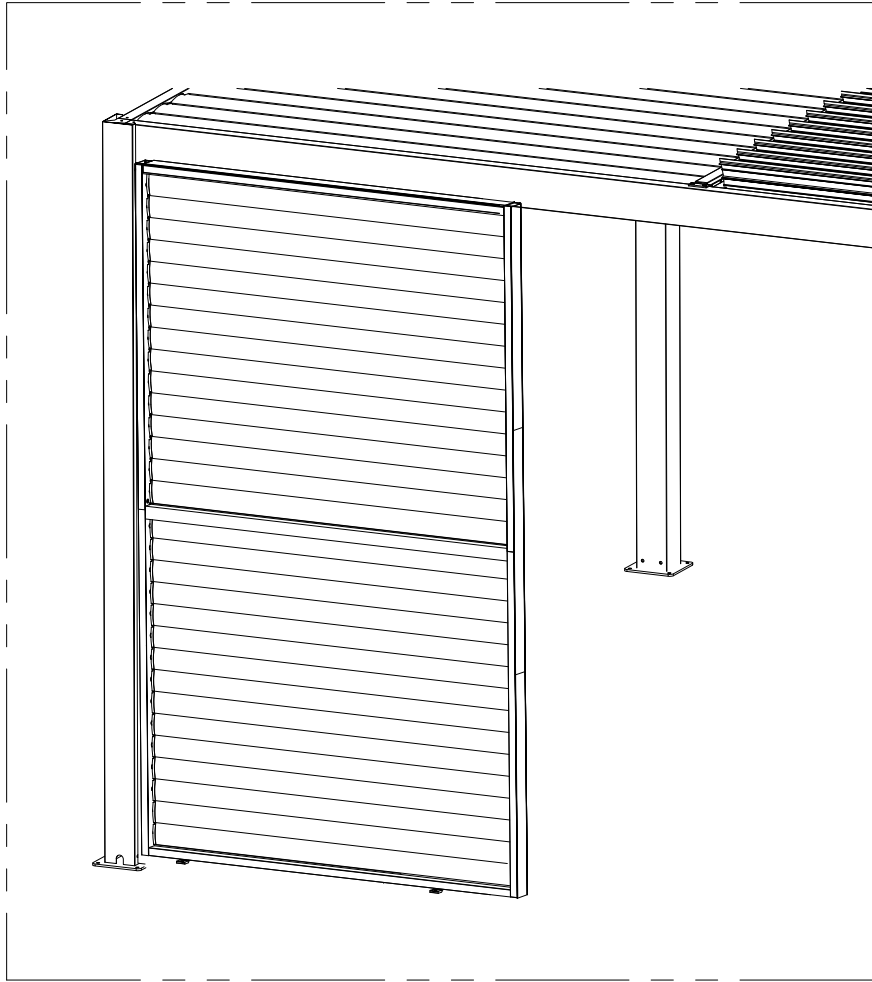
Suggest using a spirit level for leveling



15



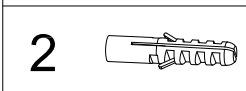
QTY:2or3PCS  
C-ST4.2\*25



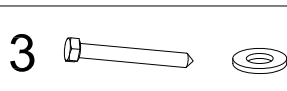
2

3

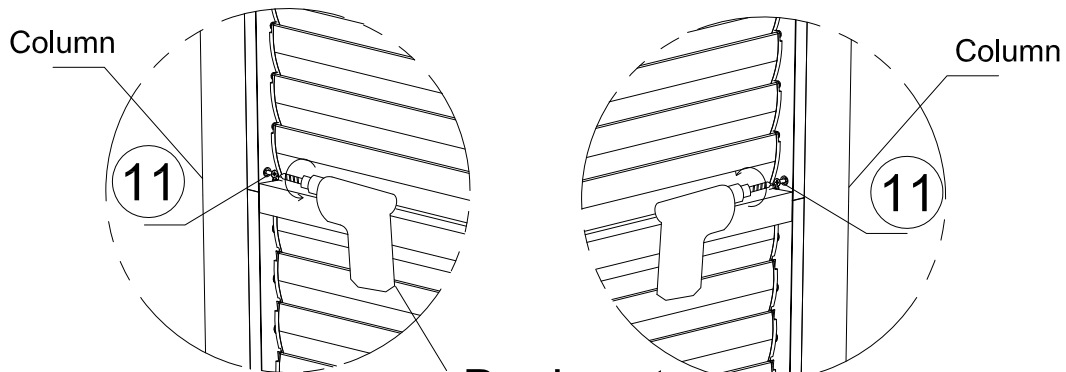
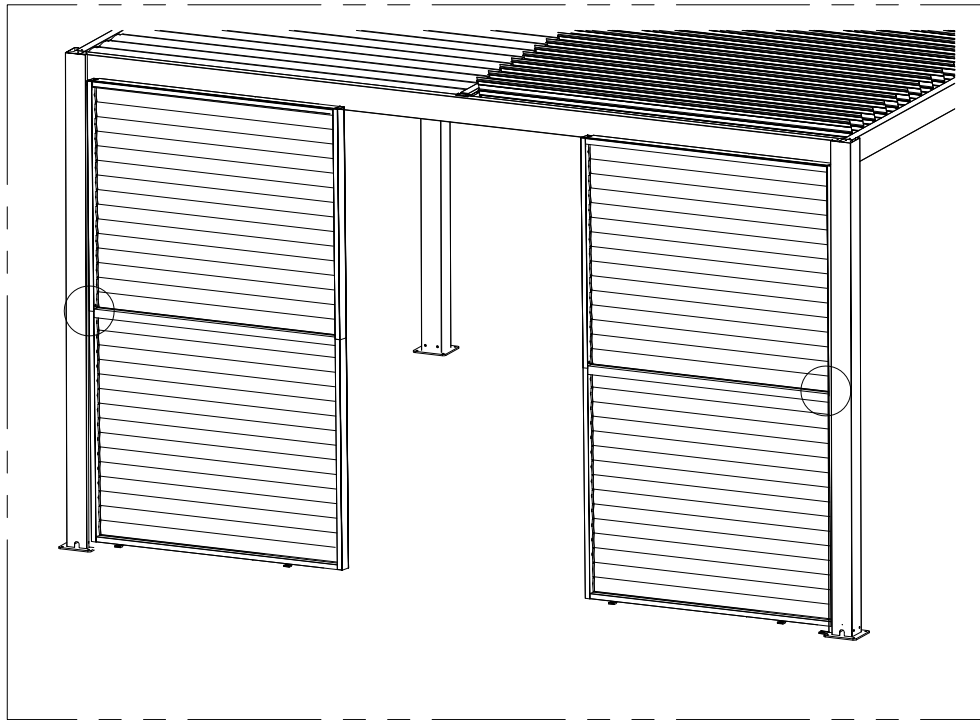
2



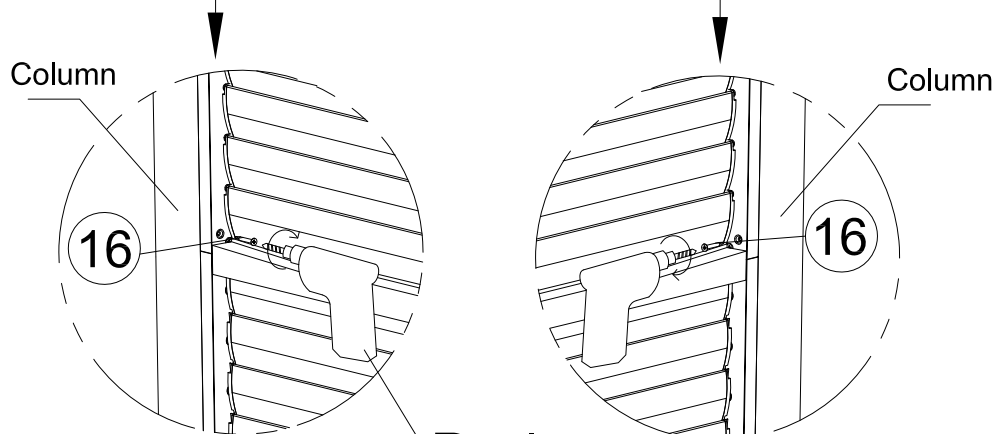
QTY:4PCS



QTY:4PCS



Back-out



Replace



If this product is installed with one piece on each side, it needs to be Replace one M5X12 with a screw ST4.2X38 and fix it on the column to prevent product shaking

16



C-ST4.2\*38

QTY:2PCS