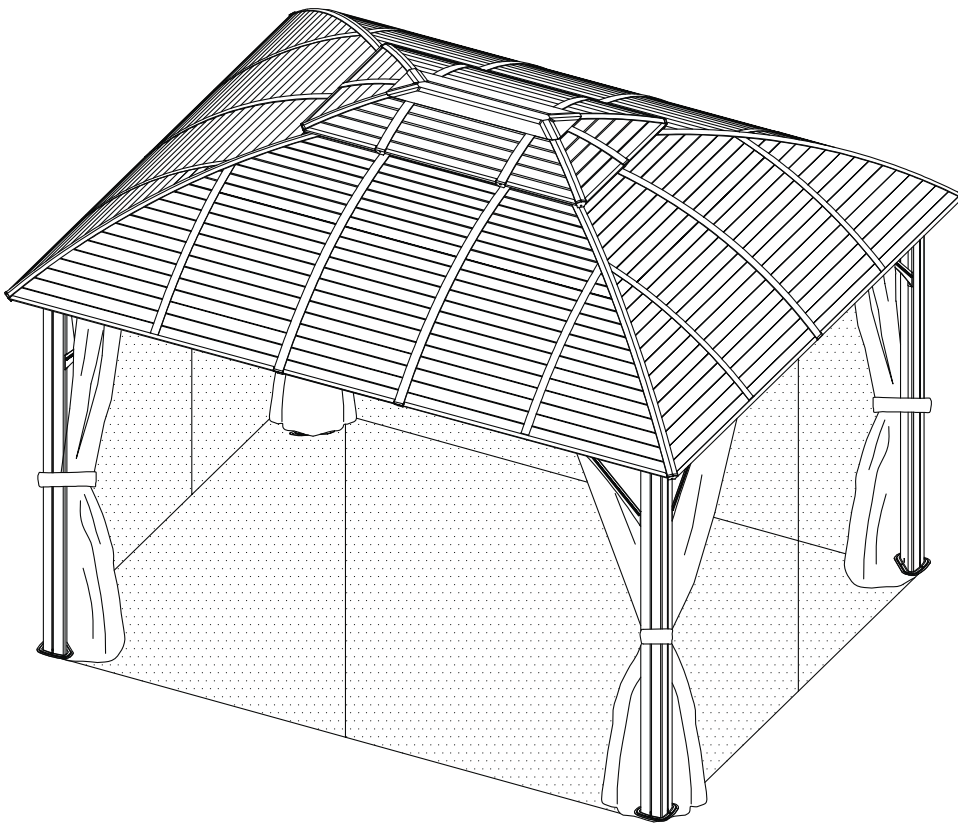




10'x12' HARDTOP GAZEBO WITH DOUBLE ROOF ASSEMBLY MANUAL



Missing part? Damaged? Contact us via email at

info@cherylifefus.com

www.cherylifefus.com



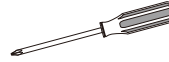
1. Two or more people are required for assembly.



5. Use the hex keys included in the box.



2. You will need one or more step ladders.



6. Please use a Phillips screwdriver.



3. Wearing protective gloves is recommended.



7. Do not fully tighten screws until assembly is completed.

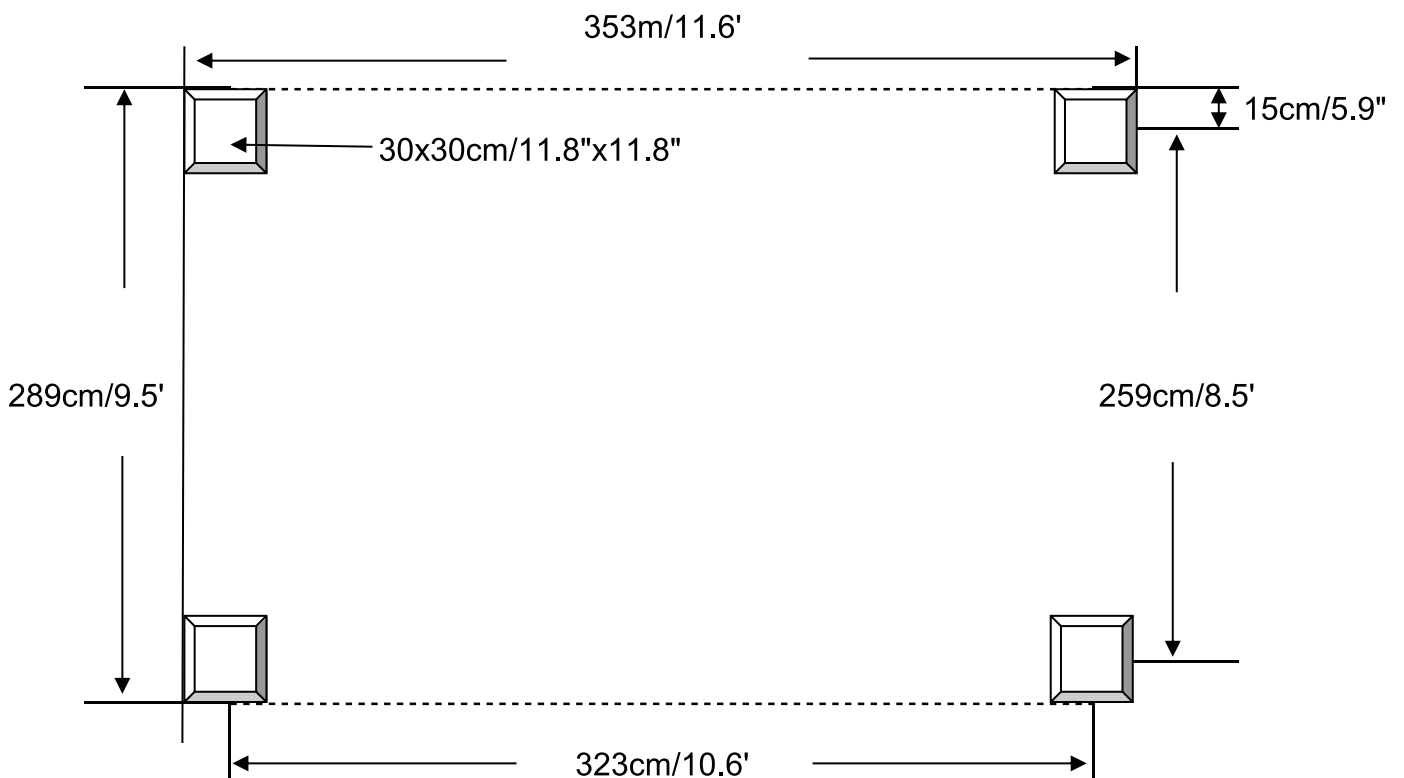


4. You may need a safety hat.



8. For ease of construction, you may need to use a drill.

10x12' ANCHOR BLUEPRINT





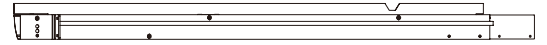
A 4x POLE



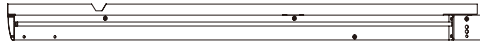
C 2x BEAM



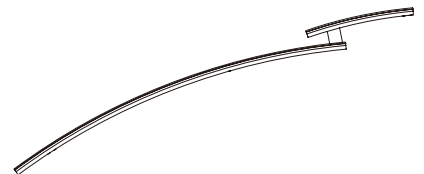
C1 2x BEAM



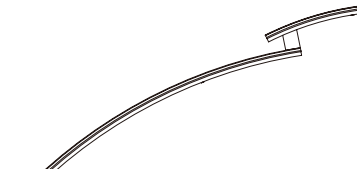
C2 2x BEAM



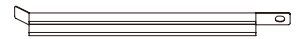
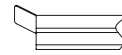
C3 2x BEAM



D 4x CORNER ROOF BAR



E 6x ROOF BAR



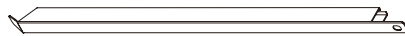
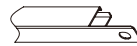
F 4x FINISHING BAR



F1 4x FINISHING BAR



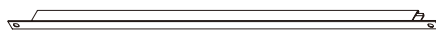
F2 2x FINISHING BAR



G 4x FINISHING BAR



G1 4x FINISHING BAR



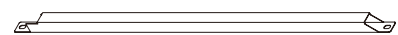
G2 2x FINISHING BAR



H 4x FINISHING BAR



H1 4x ROOF BAR



J 4x SOLIDIFYING BAR



J1 4x SOLIDIFYING BAR



J2 2x SOLIDIFYING BAR



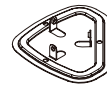
K 4x FINISHING BAR



K1 4x FINISHING BAR



K2 2x FINISHING BAR

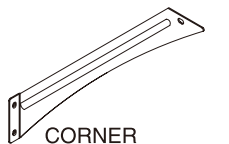


B 4x PLATE



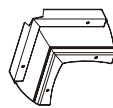
CORNER SOLIDIFYING BAR

L 4x



CORNER SOLIDIFYING BAR

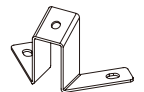
L1 4x



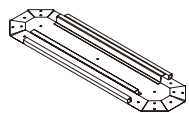
M 4x CORNER COVER



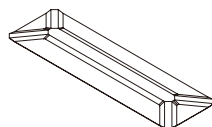
N 4x JOINT COVER



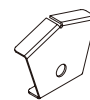
P 4x SUPPORTING PART



Q 1x INSIDE ROOF CONNECTOR



Q1 1x OUTSIDE ROOF CONNECTOR



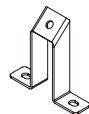
R 12x FINISHING END



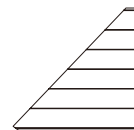
R1 6x FINISHING END



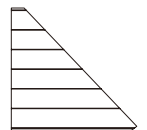
R2 12x FINISHING END



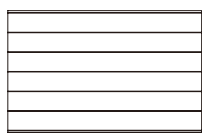
S 8x SUPPORTING PART



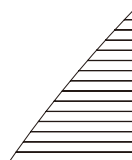
T 4x PANELS



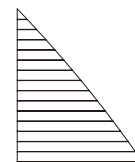
T1 4x PANELS



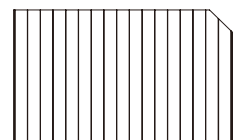
T2 2x PANELS



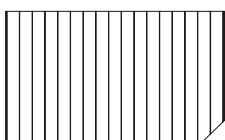
U 4x PANELS



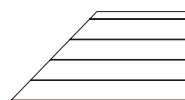
U1 4x PANELS



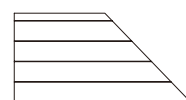
V 4x PANELS



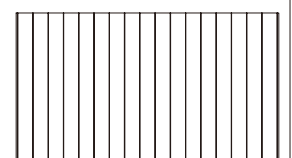
V1 4x PANELS



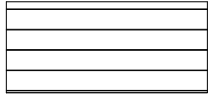
V2 4x PANELS



V3 4x PANELS



W 2x PANELS



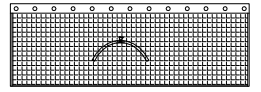
W1 2x PANELS



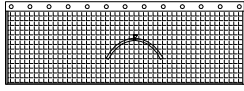
X 104x HOOK



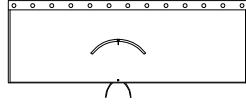
Y 20x PLASTIC LOCK



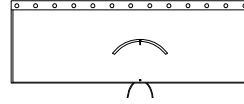
Y1 2x MOSQUITO SIDEWALL



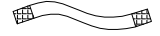
Y2 2x MOSQUITO SIDEWALL



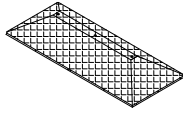
Y5 2x SOLID SIDEWALL



Y6 2x SOLID SIDEWALL



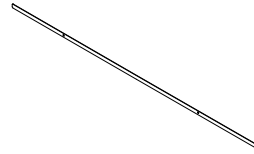
Yb 4xSTRAPES



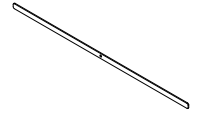
Z5 1x MESH



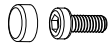
AA 4x JOINT COVER



BB 2x PLASTIC BAR



CC 2x PLASTIC BAR



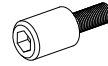
M6x12

1 150x



M6x16

2 25x



M6x15

3 8x



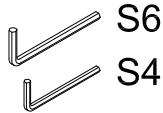
ST4.8x10

4 32x



M5x10

5 4x

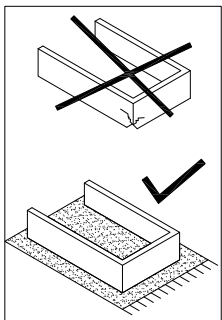


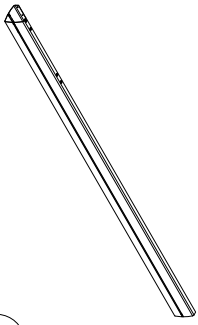
6 1x



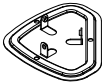
M6x20

7 13x

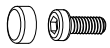




A 4x

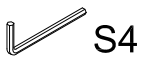


B 4x



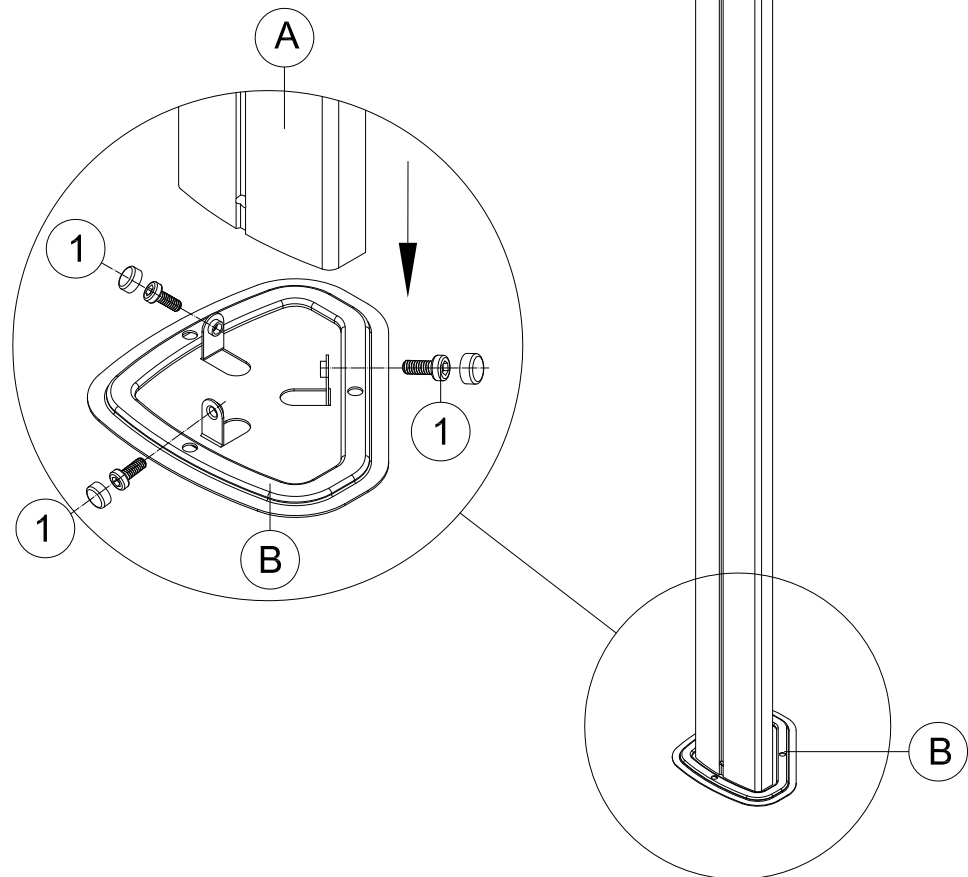
M6x12

1 12x



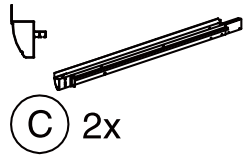
6 1x

Set up poles (Part A) with plates (Part B) using screws #1 as shown in diagram.

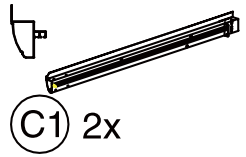


Attention: You can also put the plastic caps in the last step.

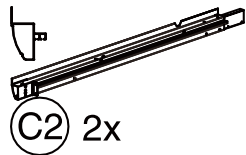
4



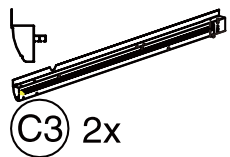
(C) 2x



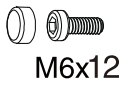
(C1) 2x



(C2) 2x



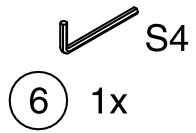
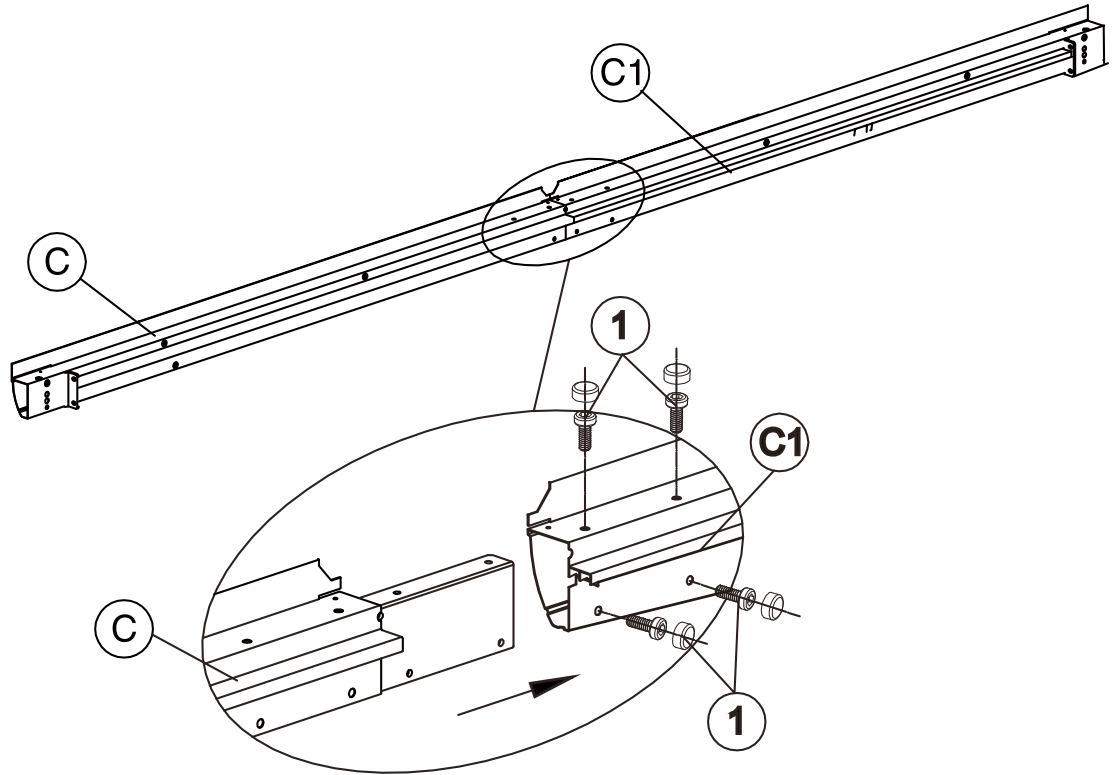
(C3) 2x



M6x12

(1) 16x

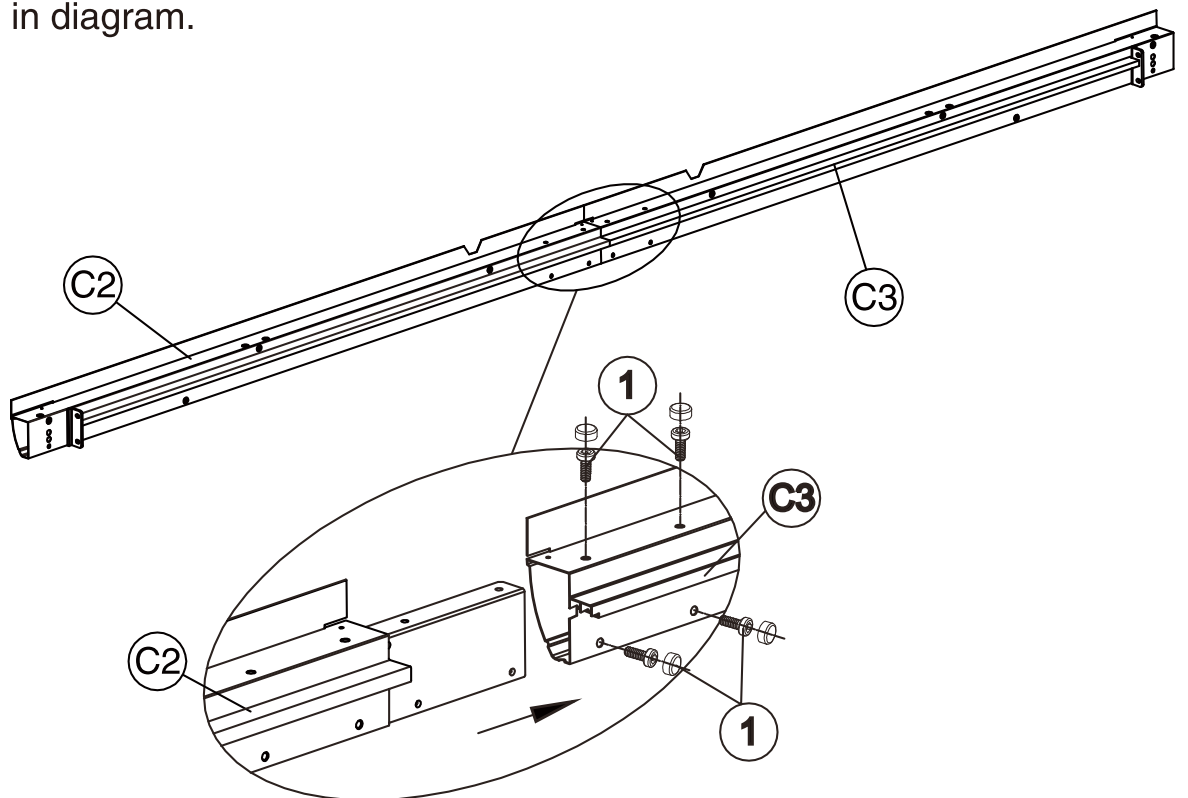
Connect Part C and C1 into one beam using screws #1 as shown in diagram.



S4

(6) 1x

Connect Part C2 and C3 into one beam using screws #1 as shown in diagram.



5

Use screws #1, #2 and #3 to connect poles and beams as shown in diagram.


M6x12

1 8x


M6x16

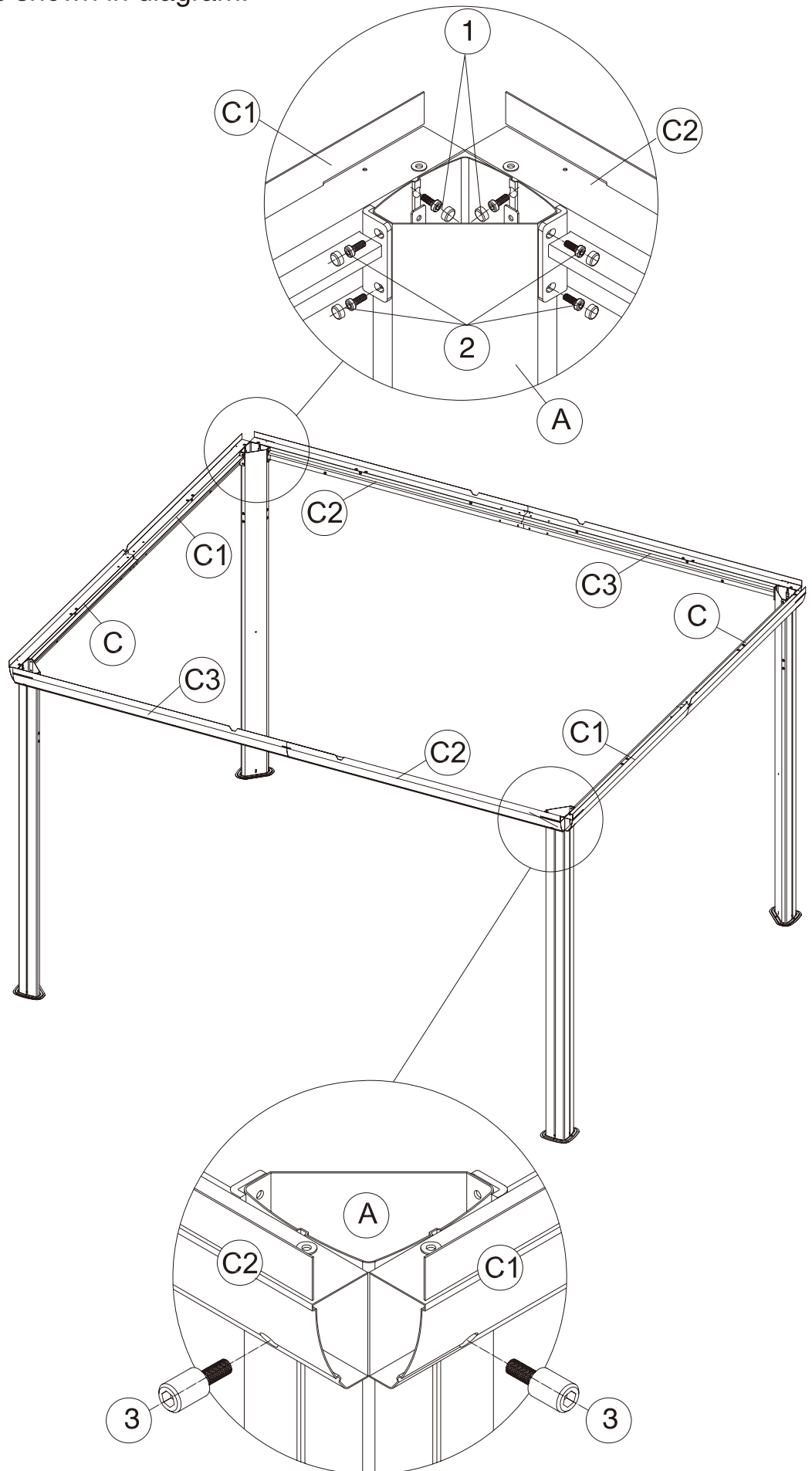
2 16x


M6x15

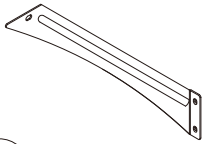
3 8x

 S6
 S4

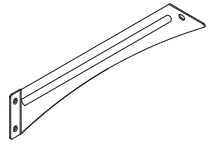
6 1x



6



L 4x



L1 4x



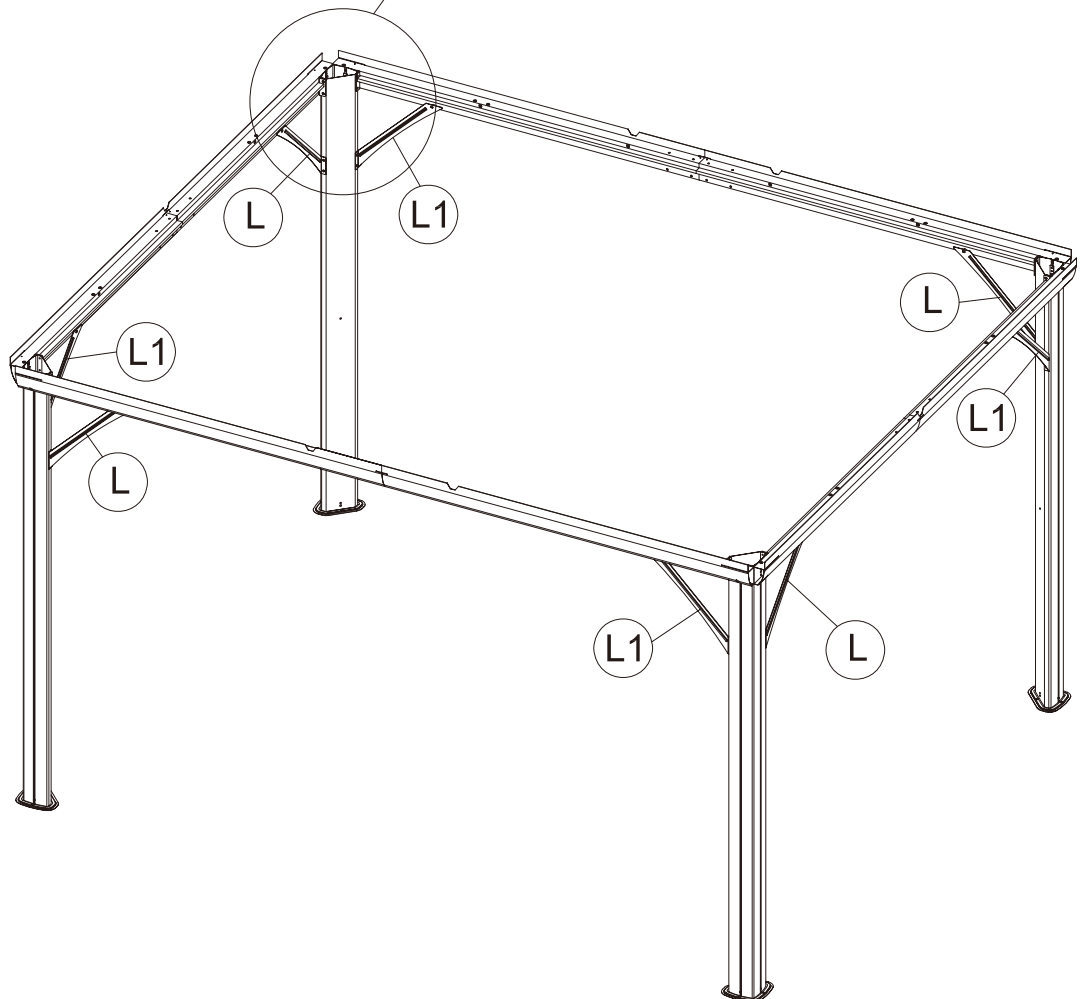
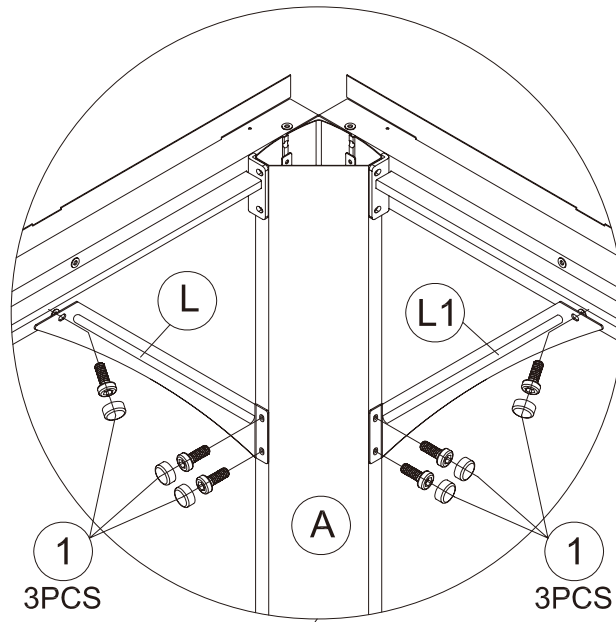
M6x12

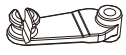
1 24x



6 1x

Affix the frame with corner solidifying bars (Part L and L1) by using screws #1 as shown in diagram.





X
x104



AA (x4)



M5x10

5

4x



N

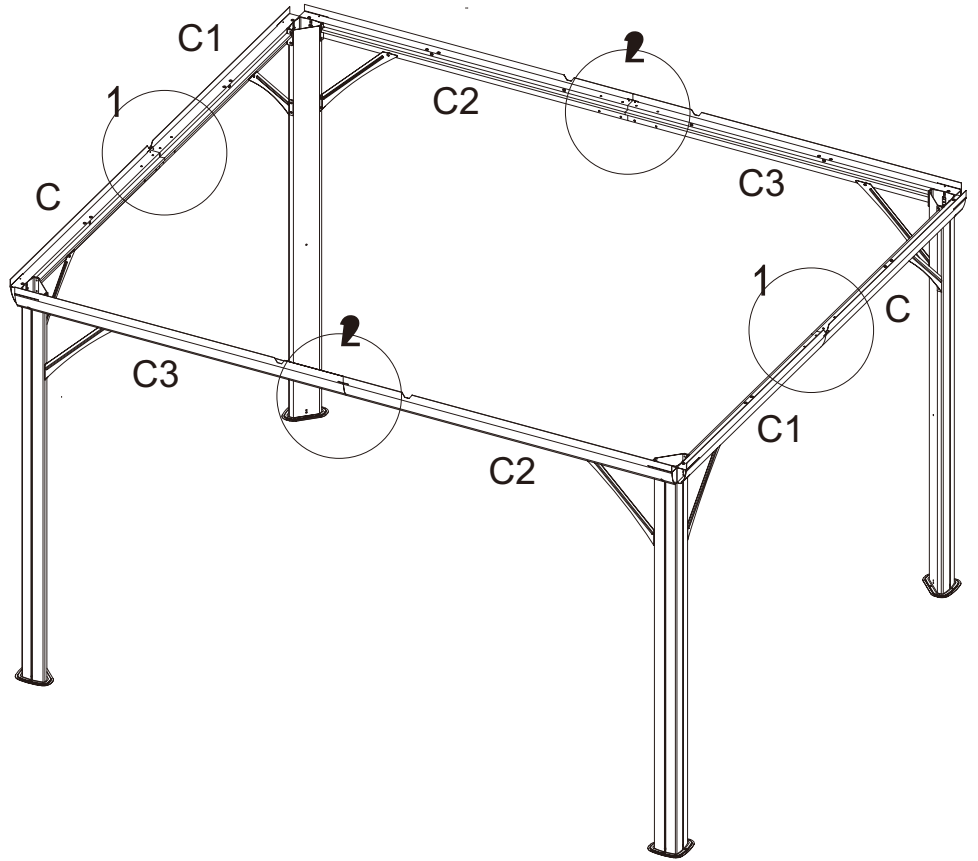
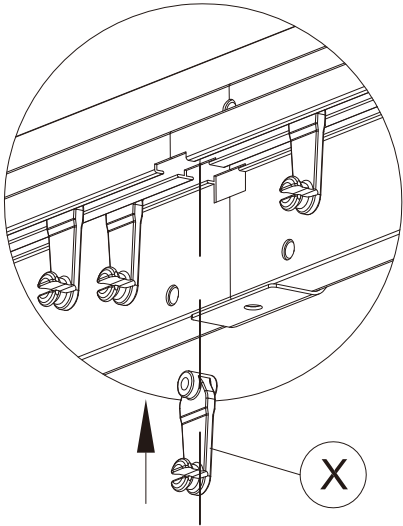
4x



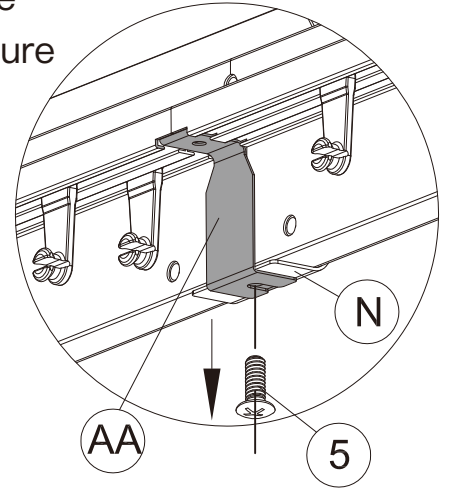
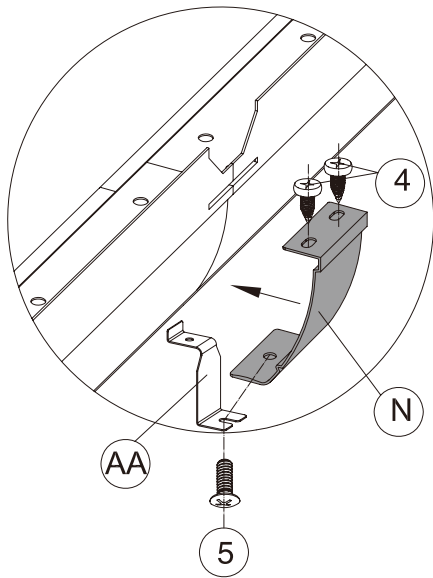
ST4.8x10

4

8x

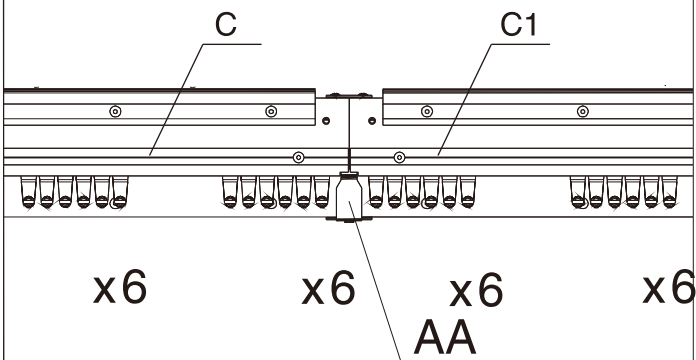


After you finish putting the hooks into the tracks, secure with part N & AA by using screws #5.



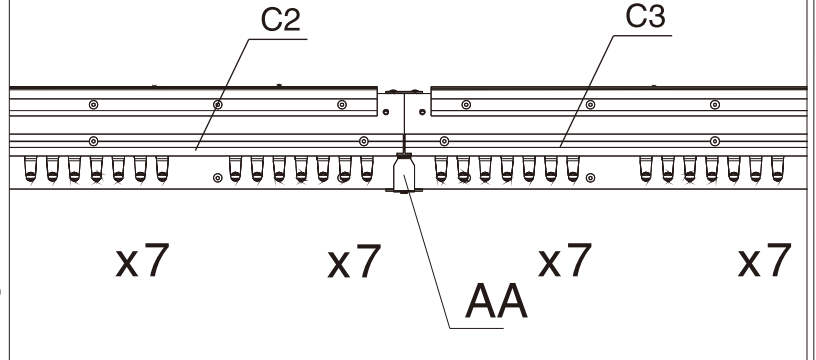
Put 6 hooks to each slot of sidewall track (Part C and Part C1)

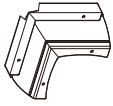
1



Put 7 hooks to each slot of sidewall track (Part C2 and Part C3)

2





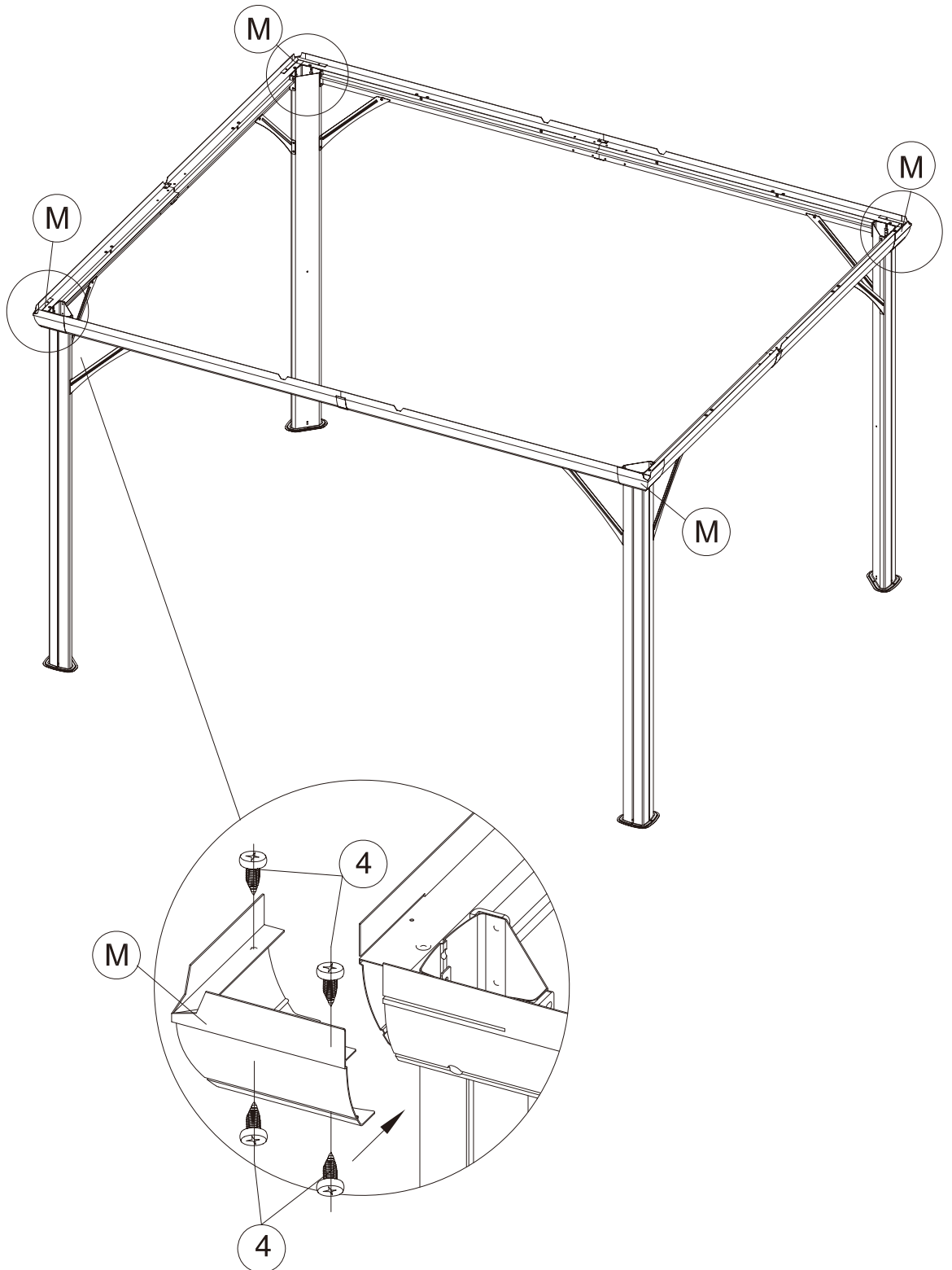
M 4x

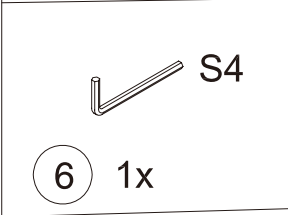
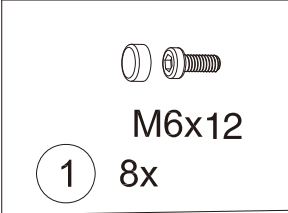
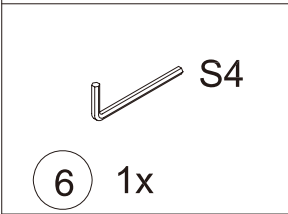
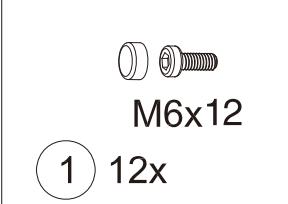
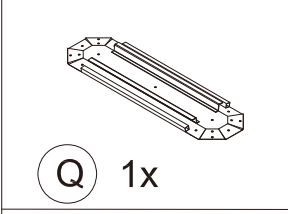
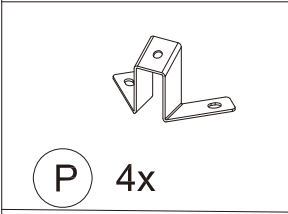
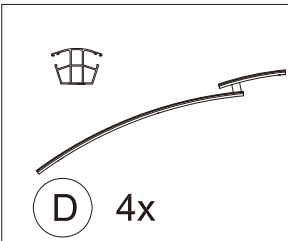


ST4.8x10

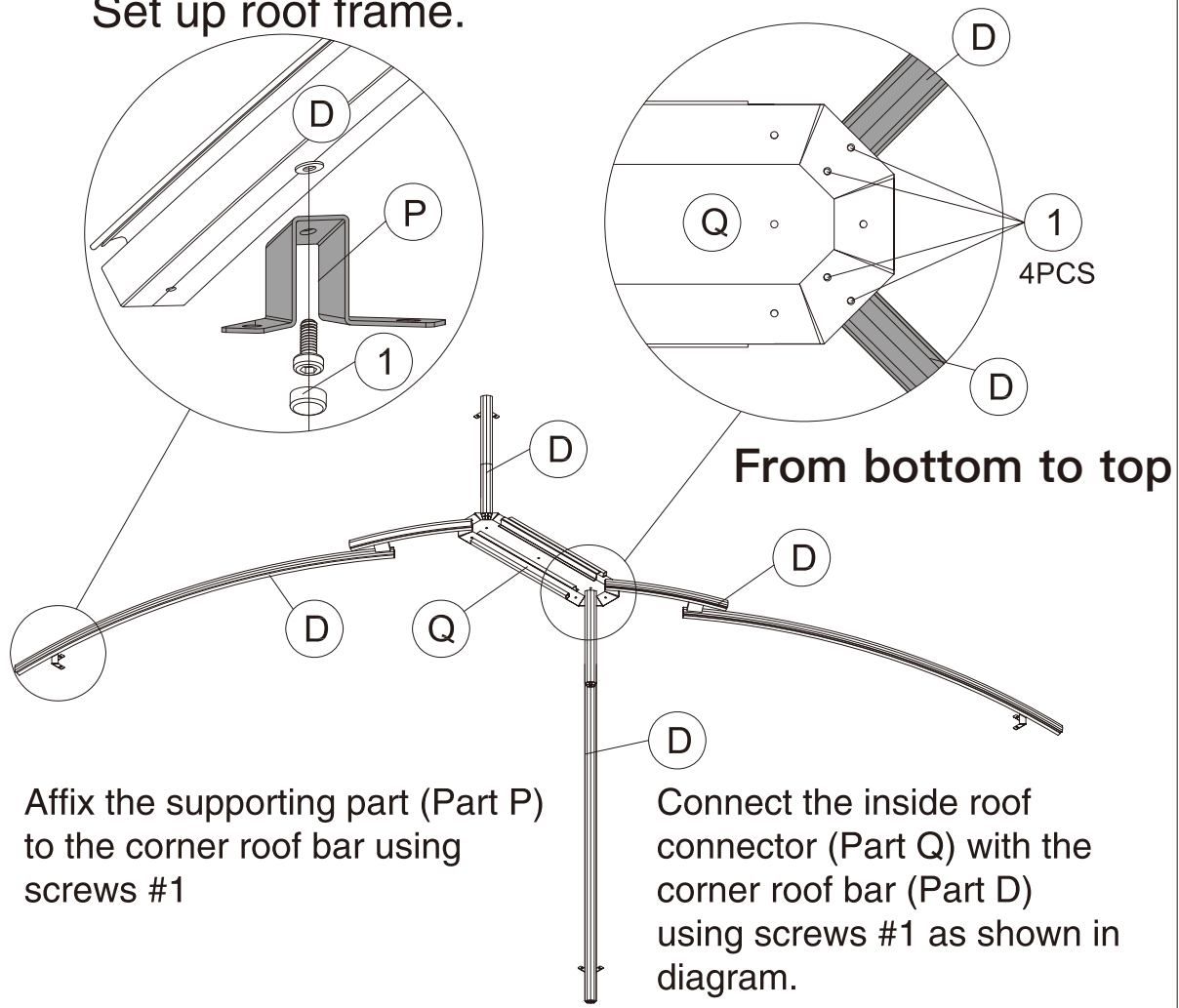
4 16x

Finish connecting beams using corner covers (Part M) and screws #4 as shown in diagram.





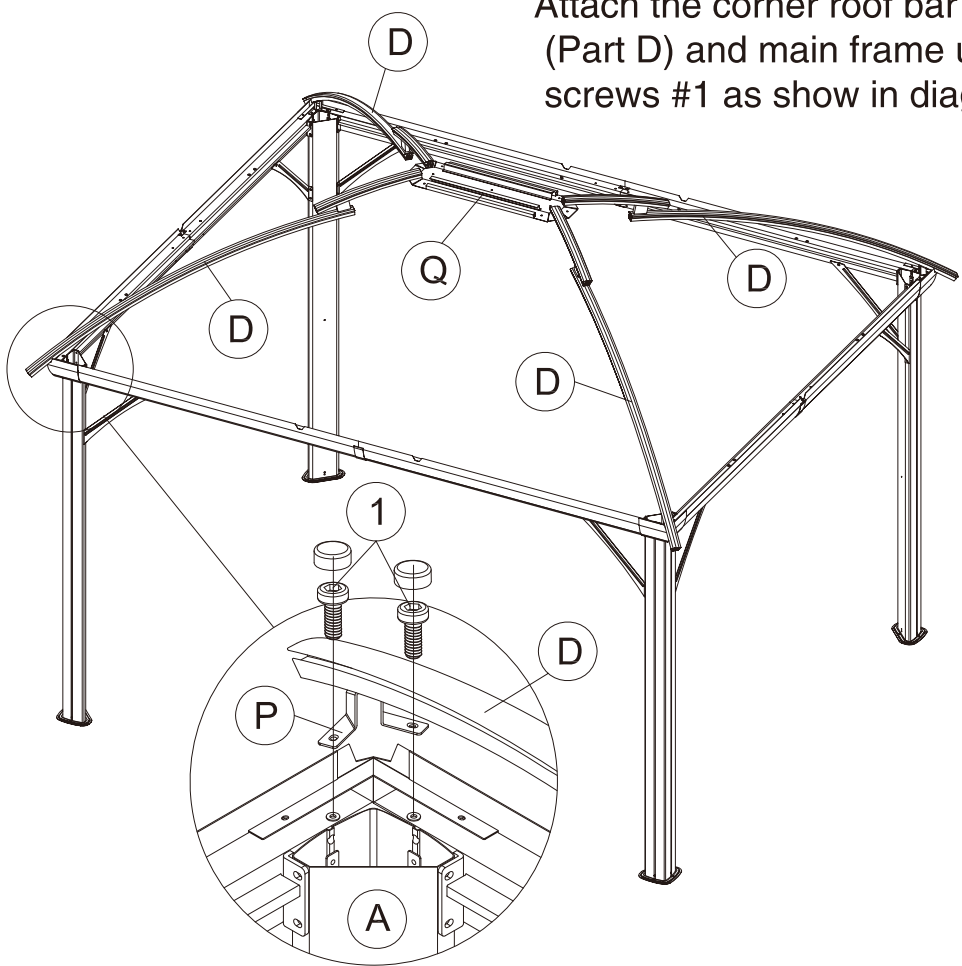
Set up roof frame.



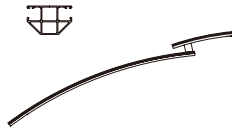



Affix the supporting part (Part P) to the corner roof bar using screws #1

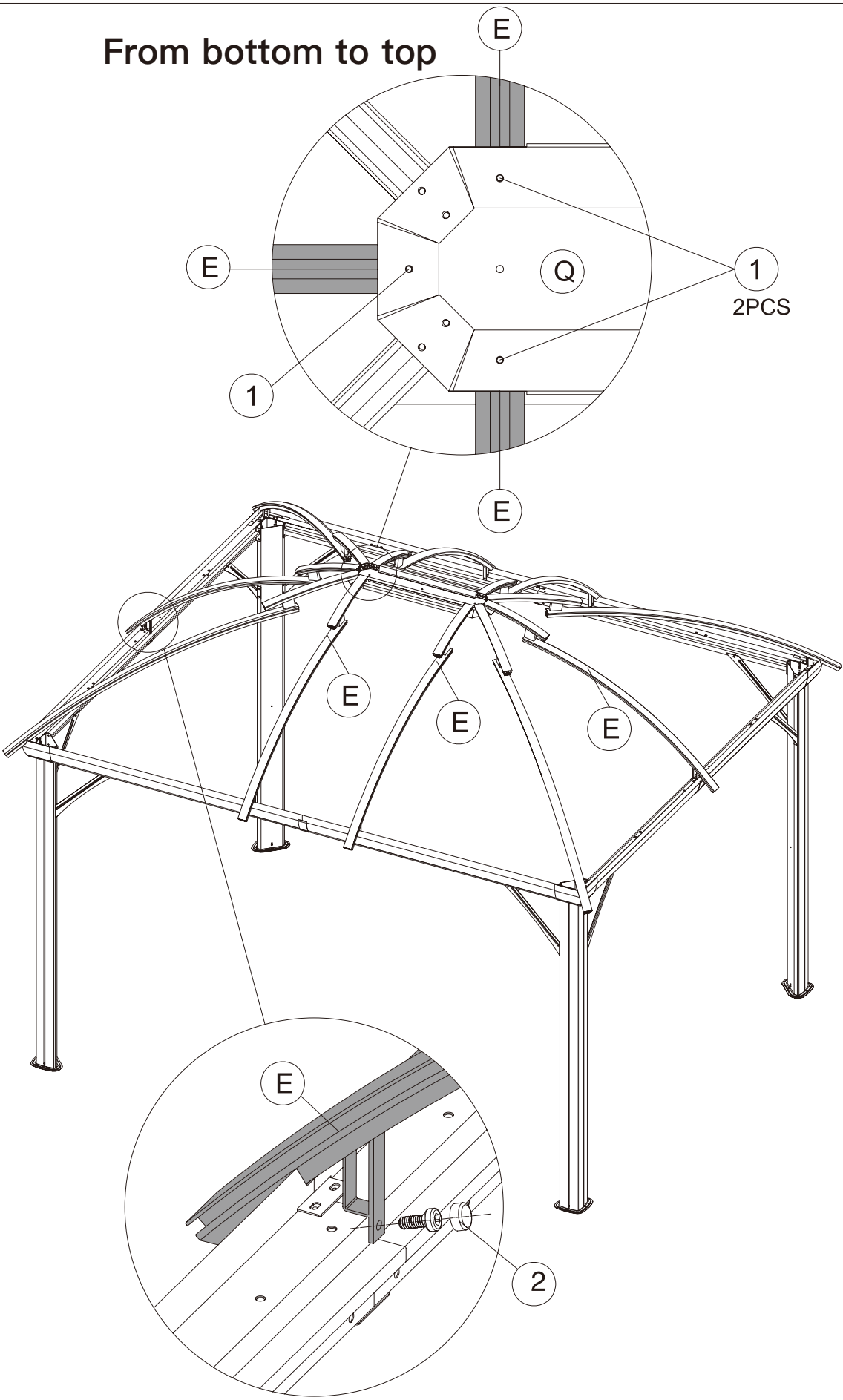
Connect the inside roof connector (Part Q) with the corner roof bar (Part D) using screws #1 as shown in diagram.

Attach the corner roof bar (Part D) and main frame using screws #1 as show in diagram.

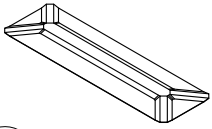


From bottom to top

-  Part E 6x
-  M6x12
1 6x
-  M6x16
2 6x
-  S4
6 1x



Attach Roof Bars (Part E) to inside roof connector and main beam using Screws 1#&2# as shown in diagram.



Q1 1x



6 1x

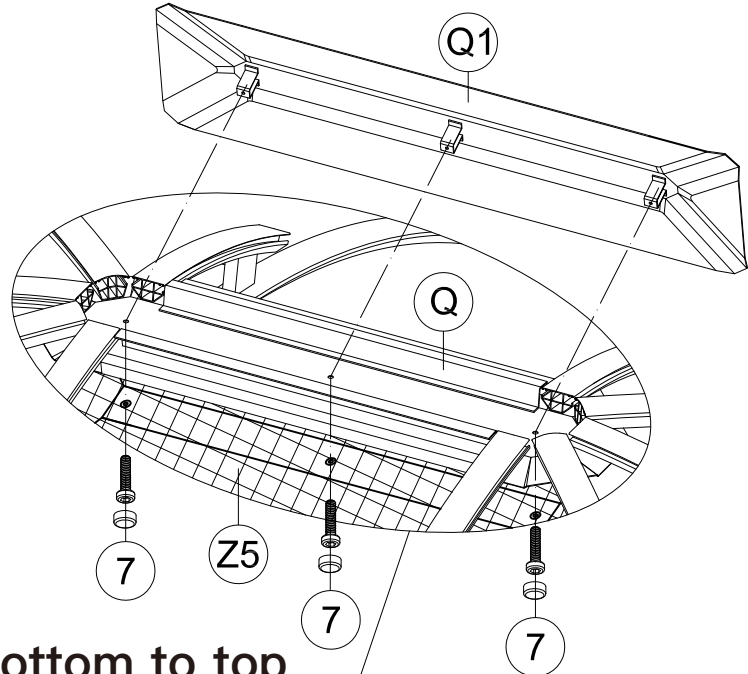


M6x20

7 3x

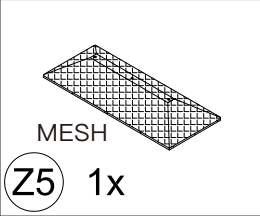
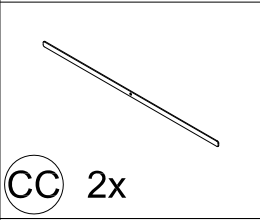
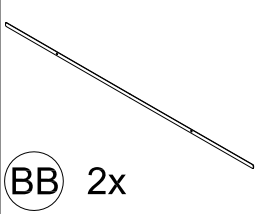
Connect both the outside roof connector #Q1 and the mesh #Z5 to the inside roof #Q with screws #7 as the picture shows.

ATTENTION: The holes of part #Z5, #Q and #Q1 need to be aligned, on the same vertical line.

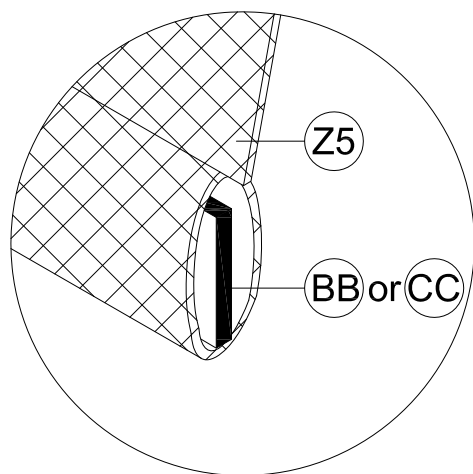
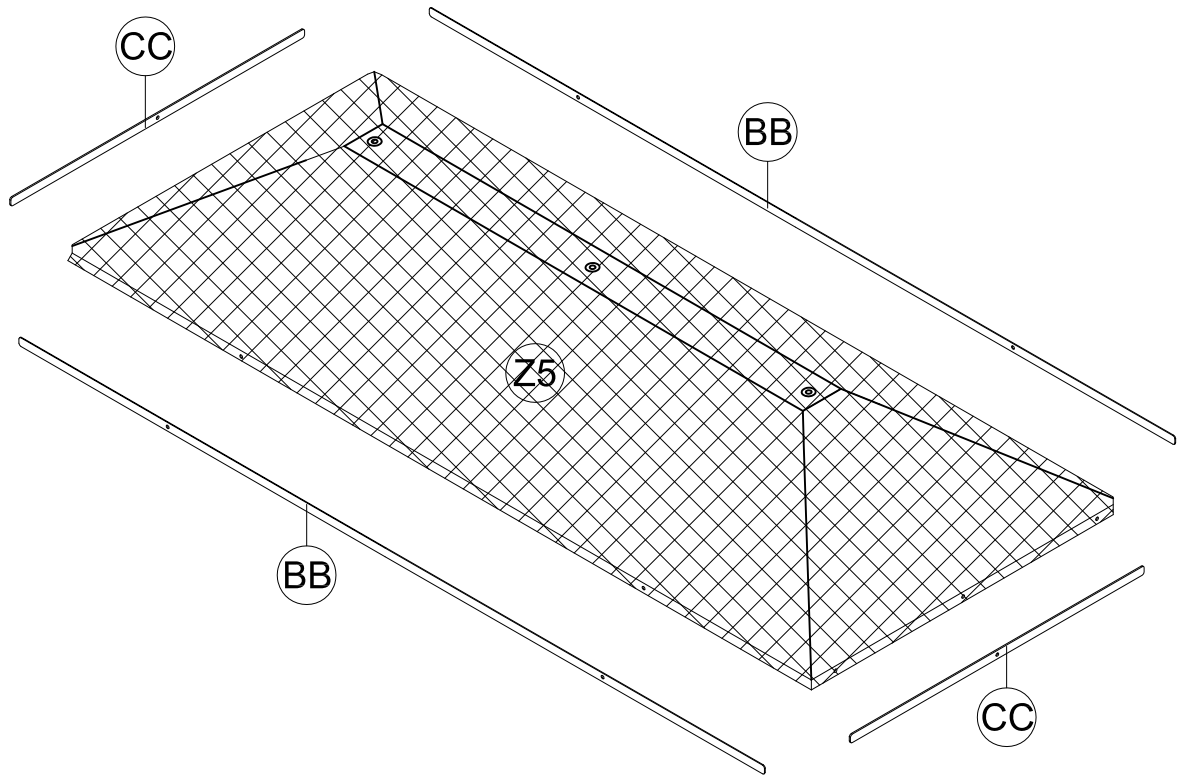


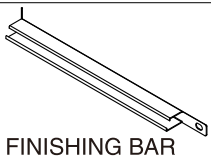
From bottom to top





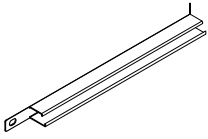
Insert the part #BB/CC into the holes that around the edge of the part #Z5.



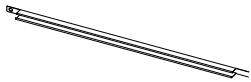


FINISHING BAR

(F) 2x



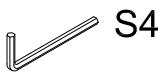
(F1) 2x



(F2) 2x



(R1) 4x



S4

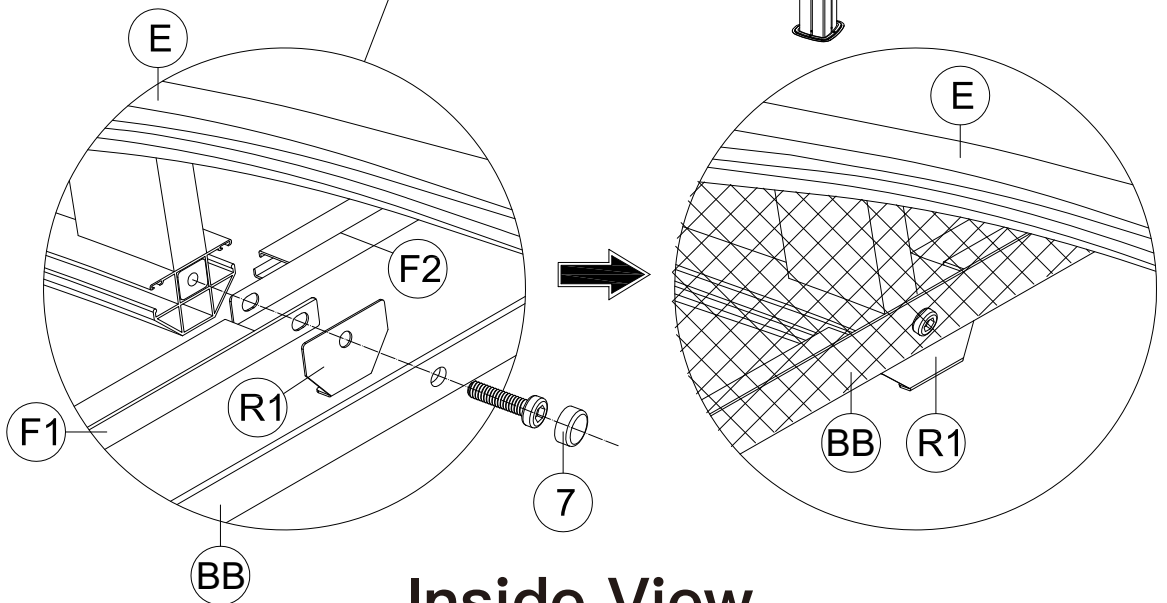
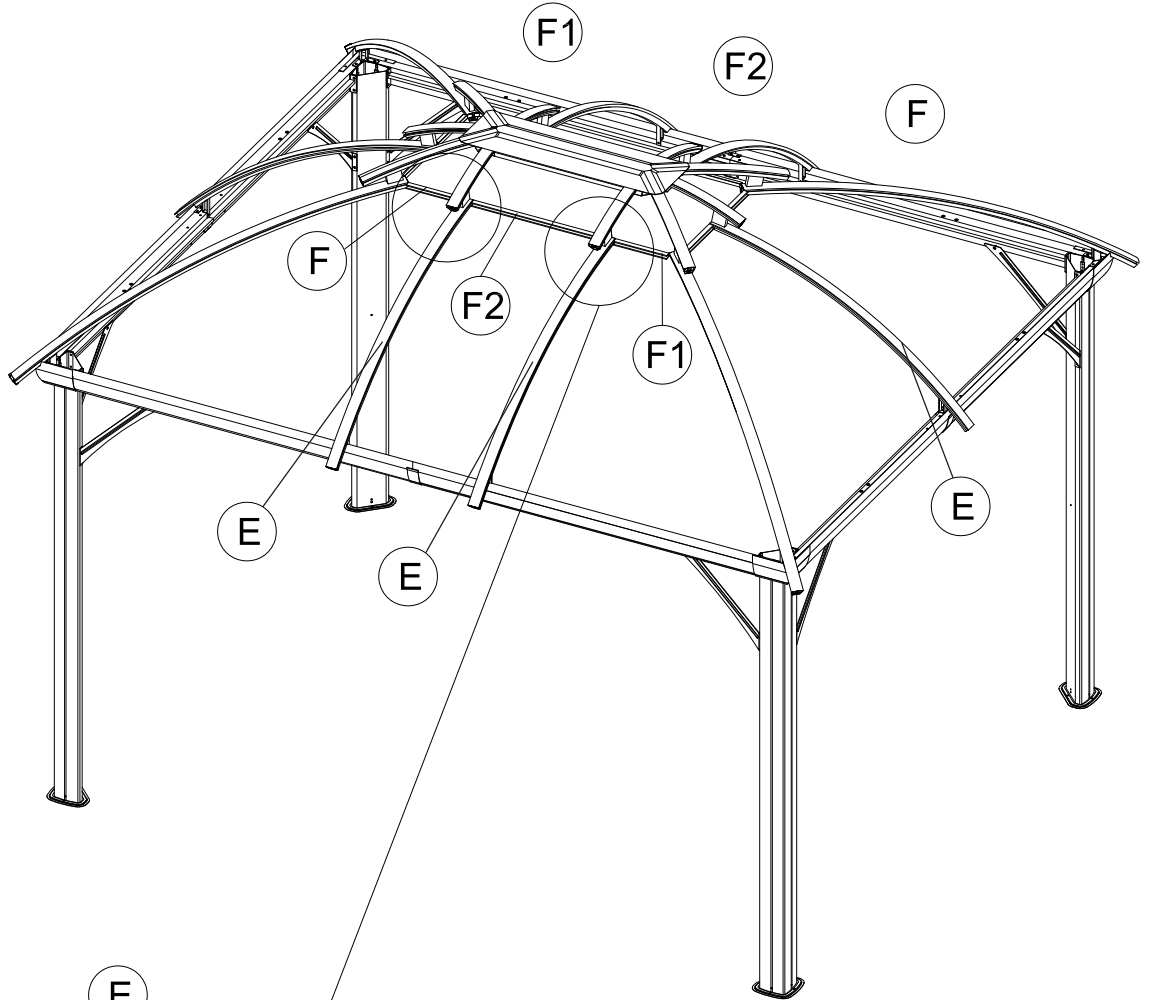
(6) 1x



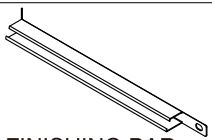
M6x20

(7) 4x

Firstly, attach part #F2, #F1 and #R1 to #E as the left picture shows, and then secure the #BB to the finishing bars with screws #7.

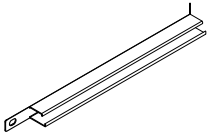


Inside View



FINISHING BAR

(F) 2x



(F1) 2x



(R1) 2x



S4

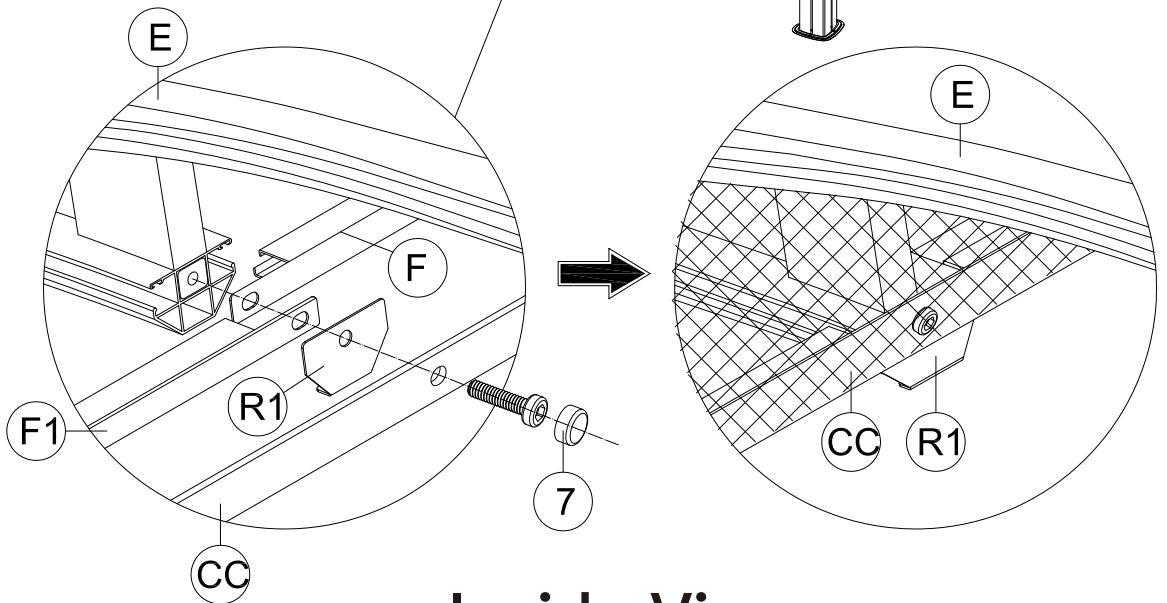
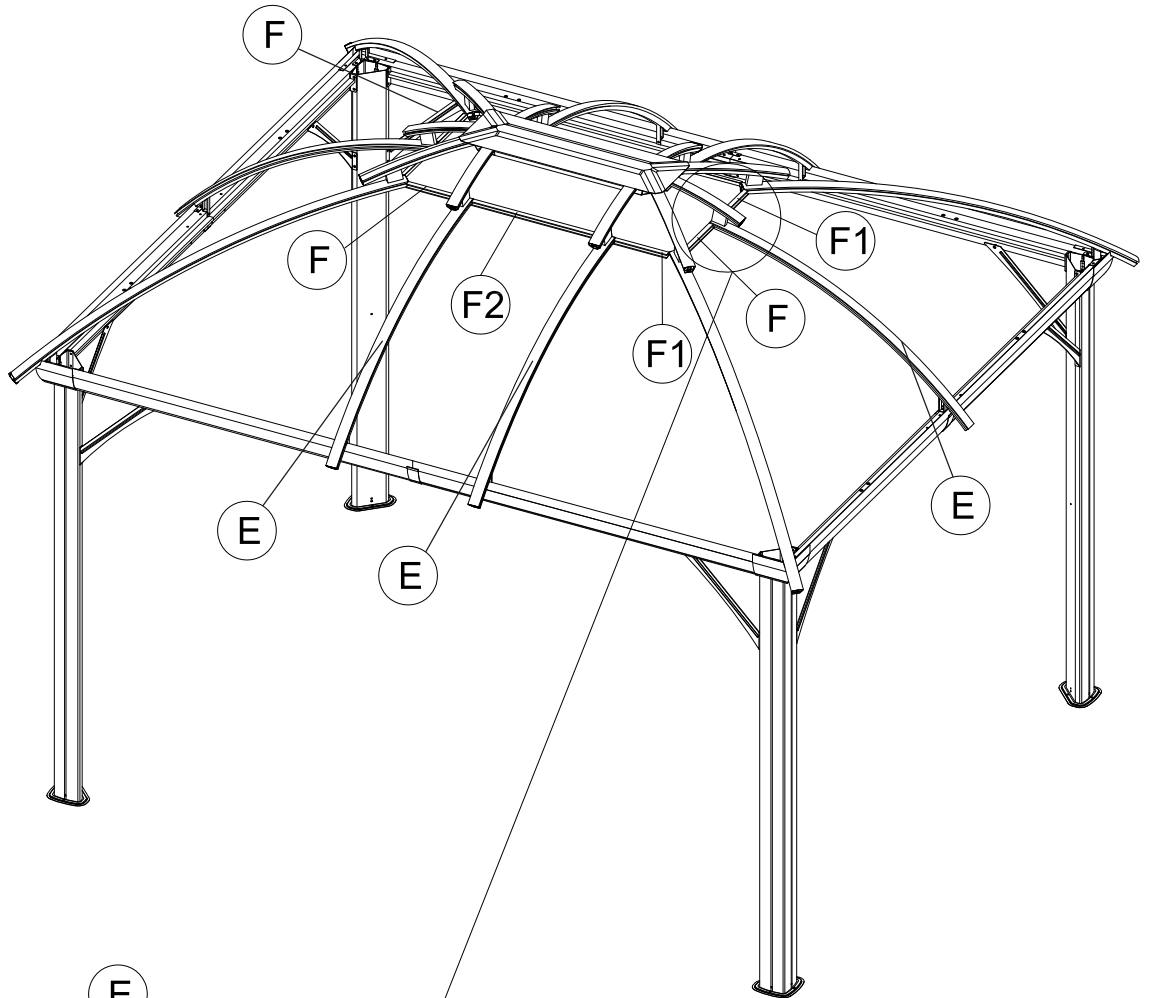
(6) 1x



M6x20

(7) 2x

Firstly, attach part #F, #F1 and #R1 to #E as the picture shows, and then secure the #CC to the finishing bars with screws #7.



Inside View



Ⓡ 4x



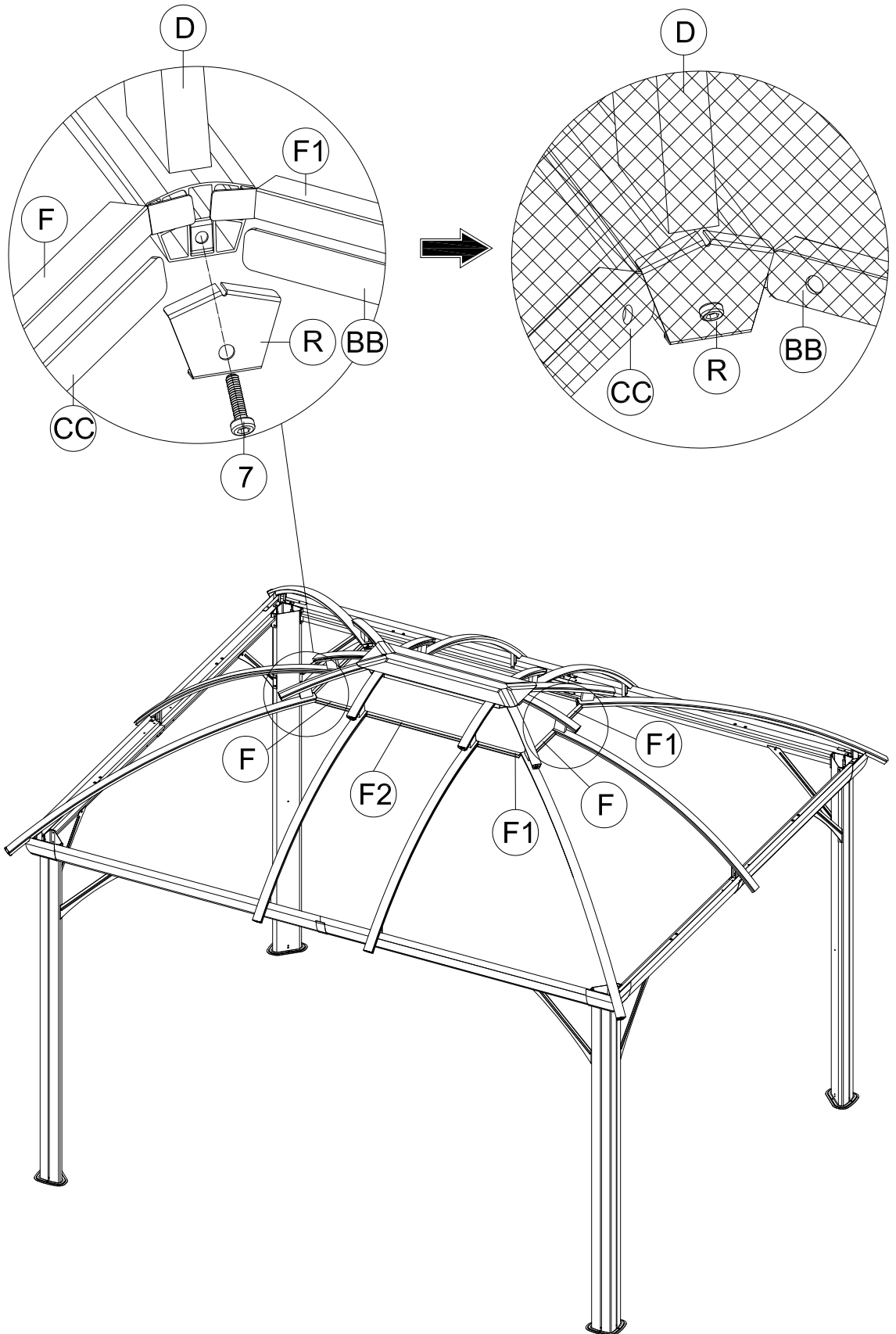
Ⓢ 1x

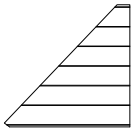


M6x20

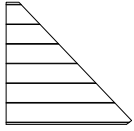
Ⓣ 4x

Attach part #R to the part #D, and then secure the corners of #Z5(MESH) to the 4 corner roof bars with screws #7 as the right picture shows.

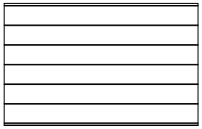




T 4x

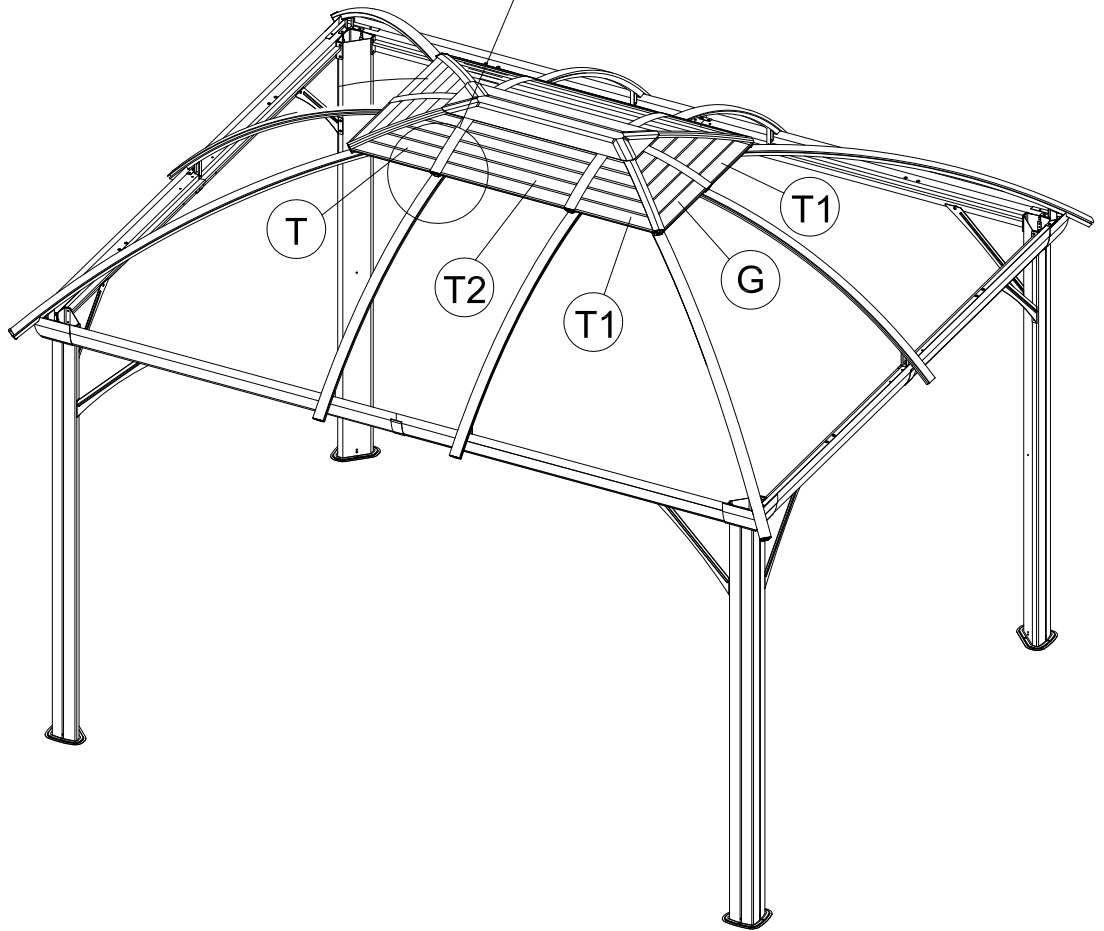
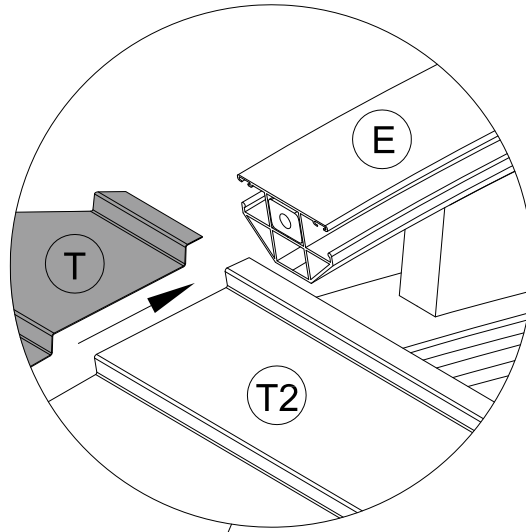


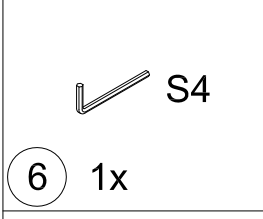
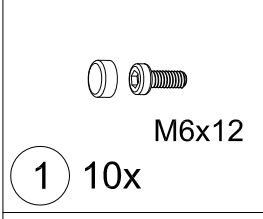
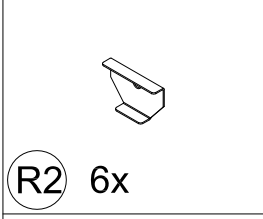
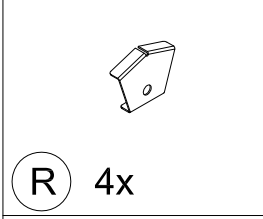
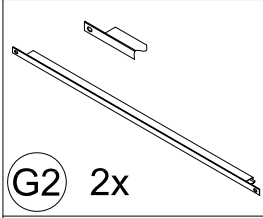
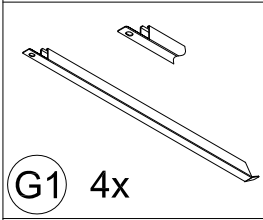
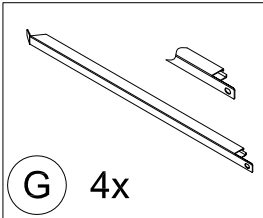
T1 4x



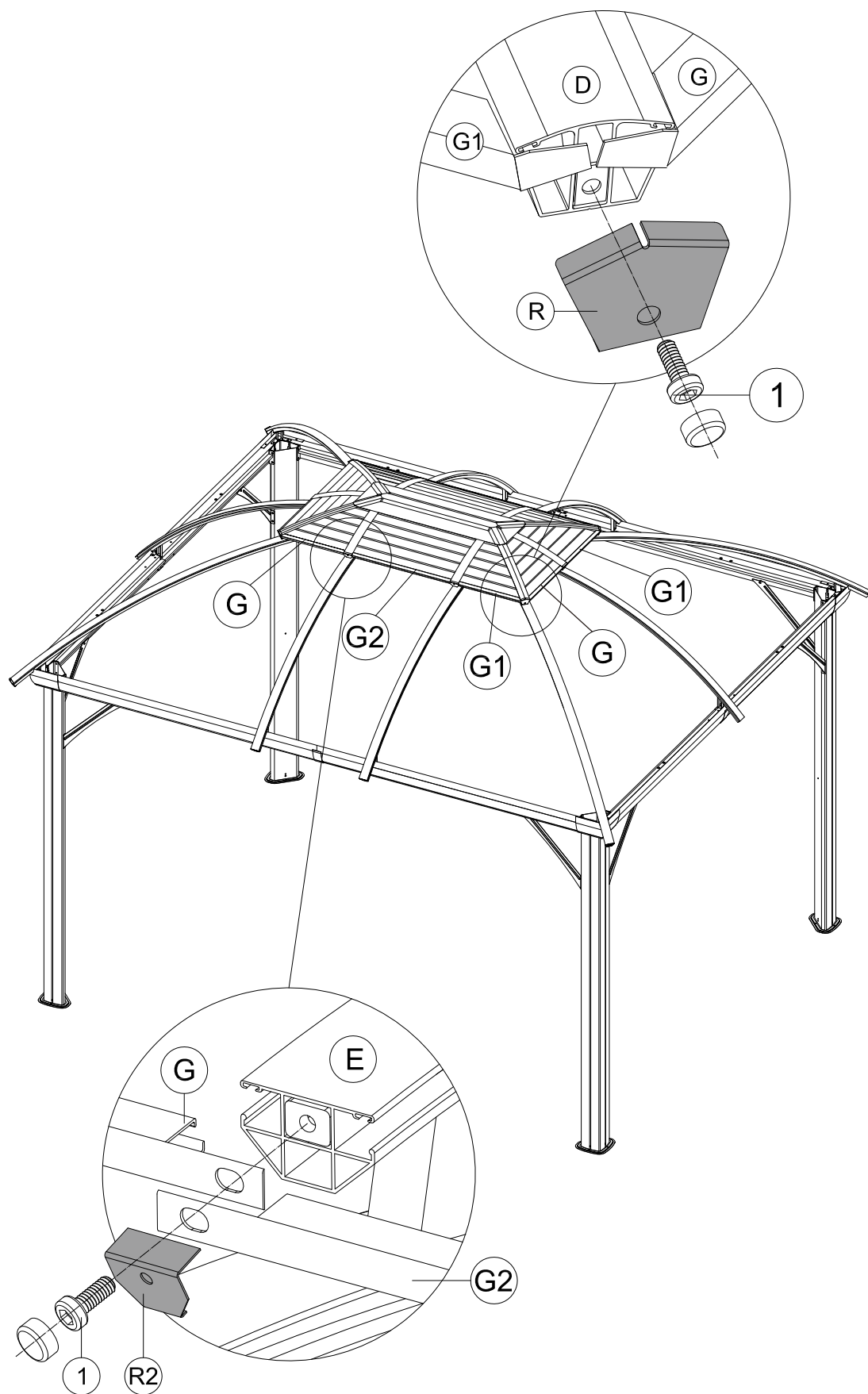
T2 2x

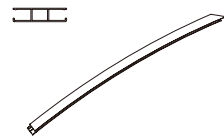

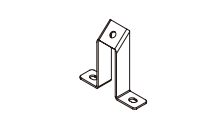


Insert panels (Part T,T1 and T2) into the slots of roof bars as shown in diagram.



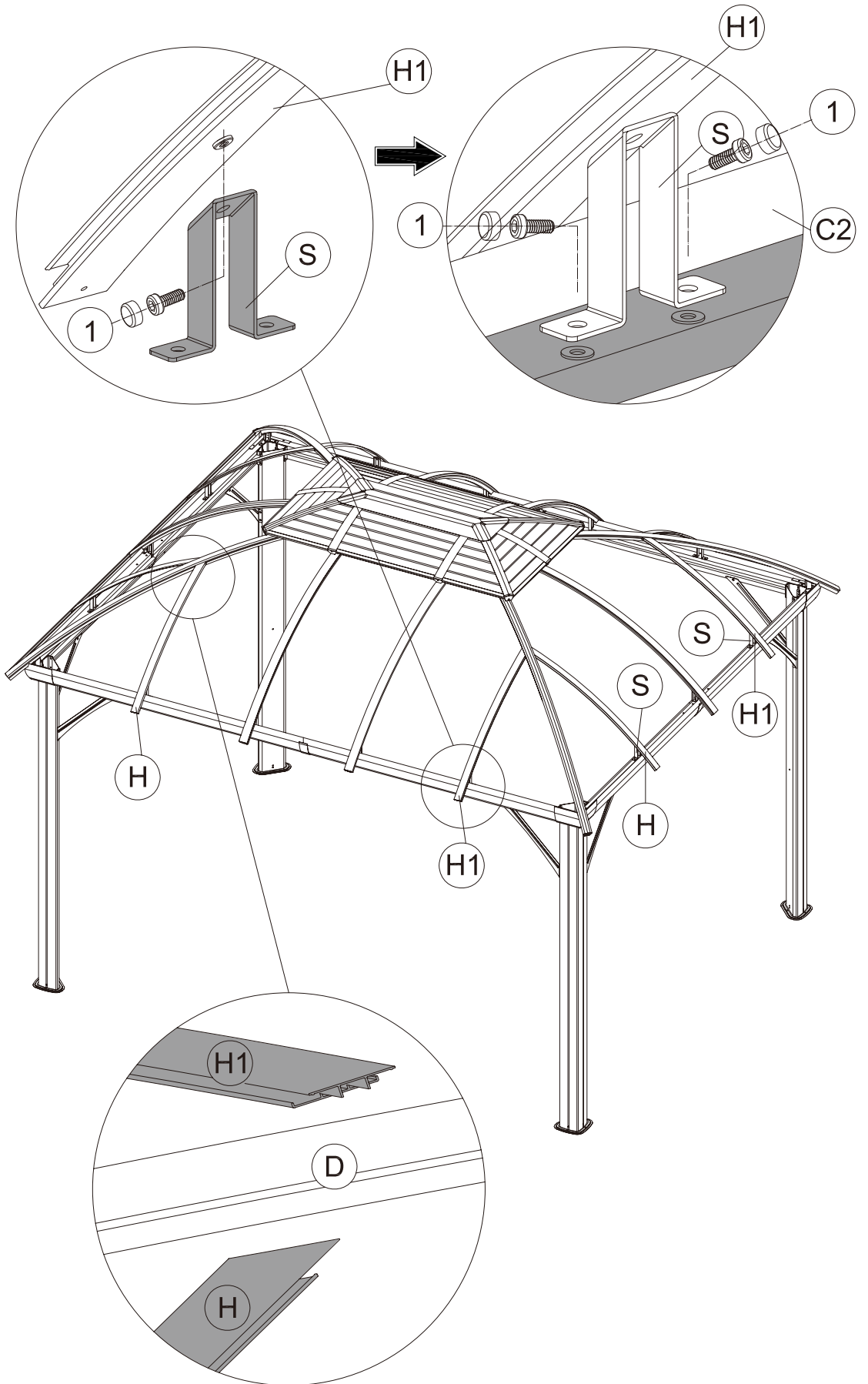


Affix finishing bars (Parts G, G1 and G2) to roof bars (Part E and D) using finishing end (Part R and R2) and screw #1 as shown in diagram.

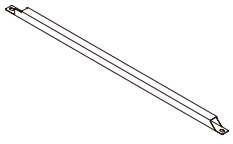


-  **H** 4x
-  **H1** 4x
-  **S** 8x
-  **1** 24x
M6x12
-  **S4**
- 6** 1x

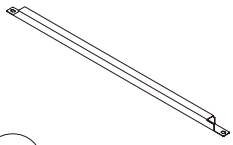
Affix roof bars (Parts H and H1) to beam using supporting part (Part S) and screws #1 as shown in diagram.



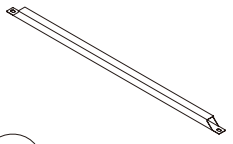
Insert roof bars (Part H and H1) to the slot of corner roof bar (Part D) as shown in diagram.



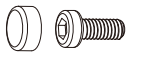
J 4x



J1 4x



J2 2x



M6x12

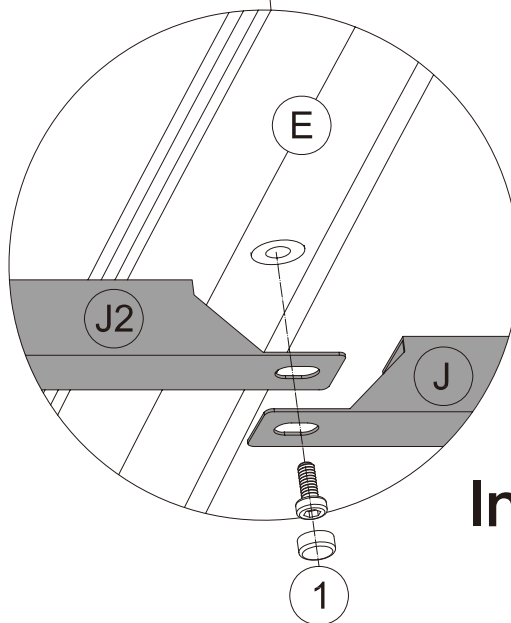
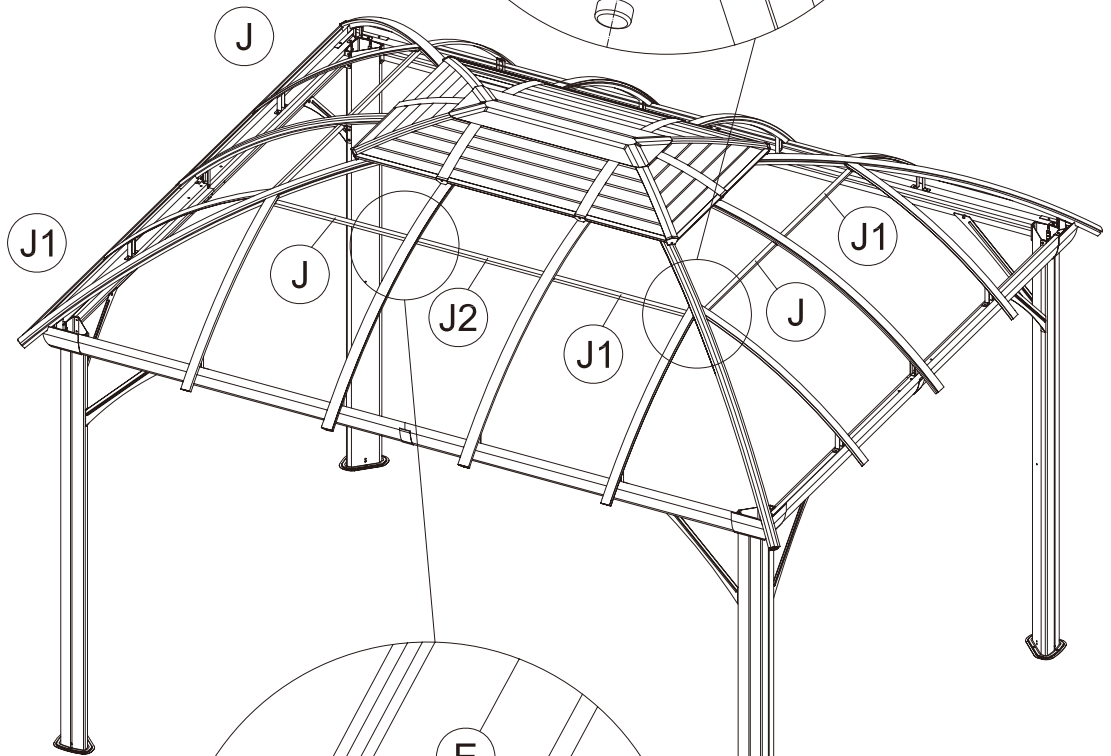
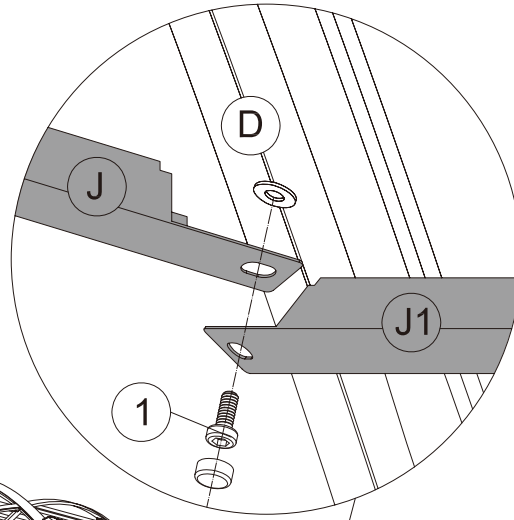
1 10x



S4

6 1x

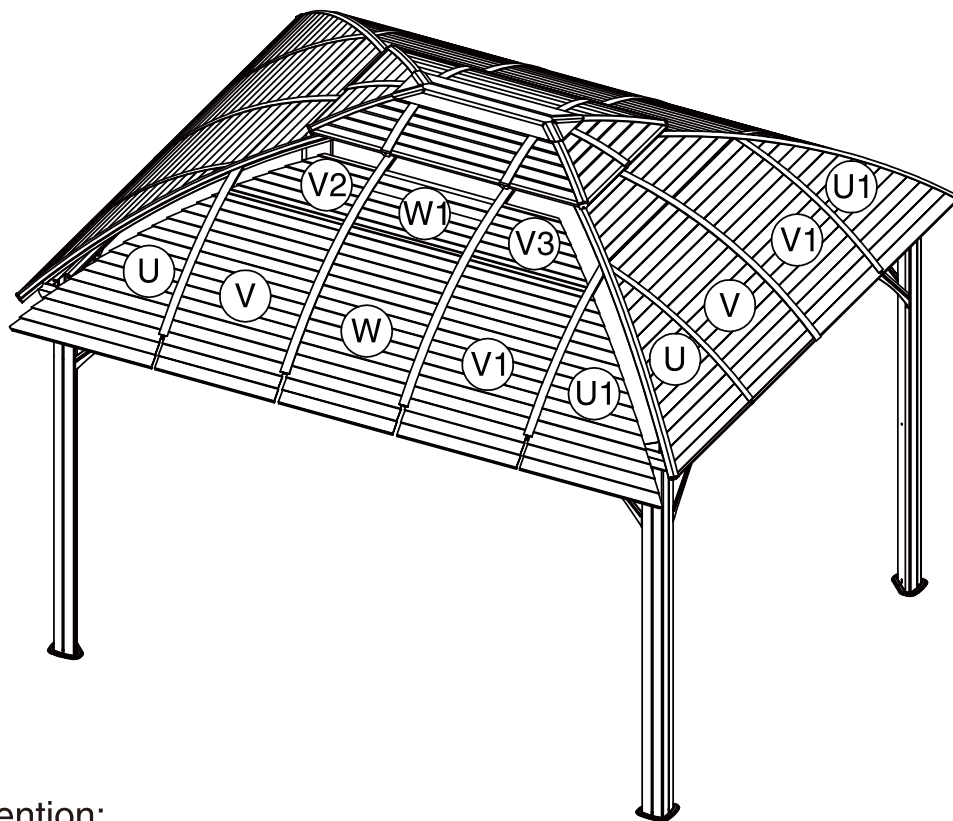
Affix solidifying bars (Parts J and J1) to corner roof bar (Part D) using screw #1 as shown in diagram.



Inside View

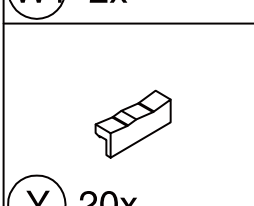
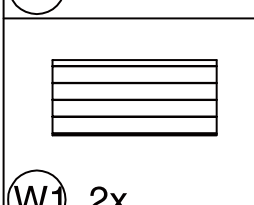
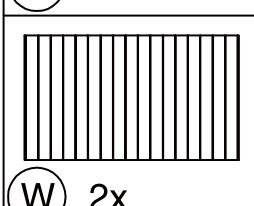
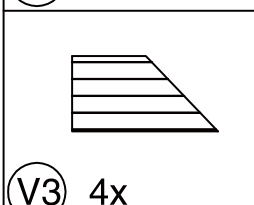
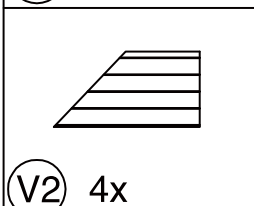
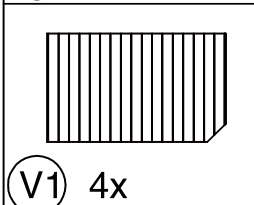
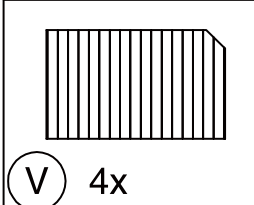
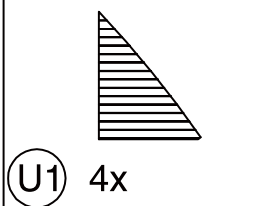
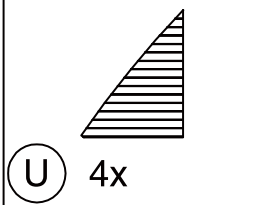
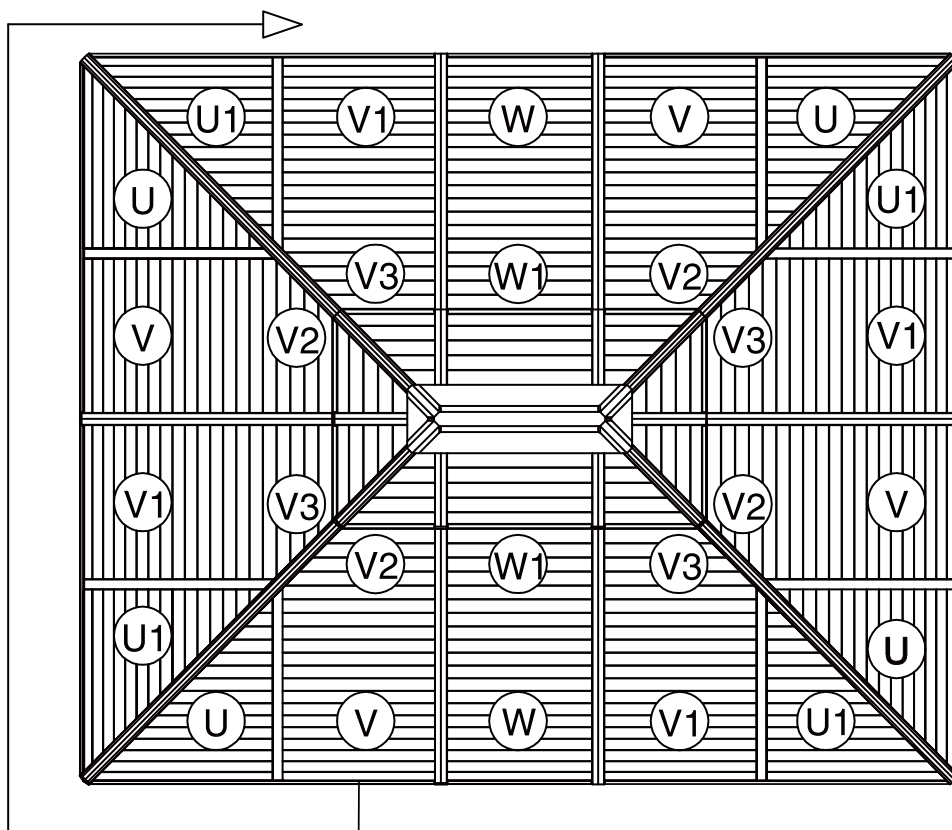
Affix solidifying bars (Parts J and J2) to roof bar (Part E) using screw 1# as shown in diagram.

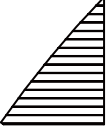
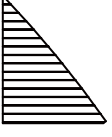
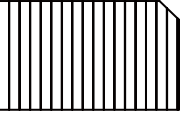
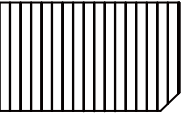
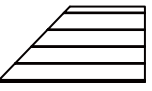
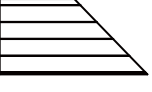
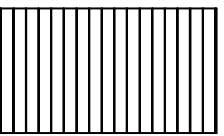
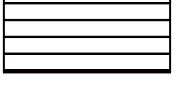
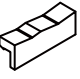
Overall Roof Assembly



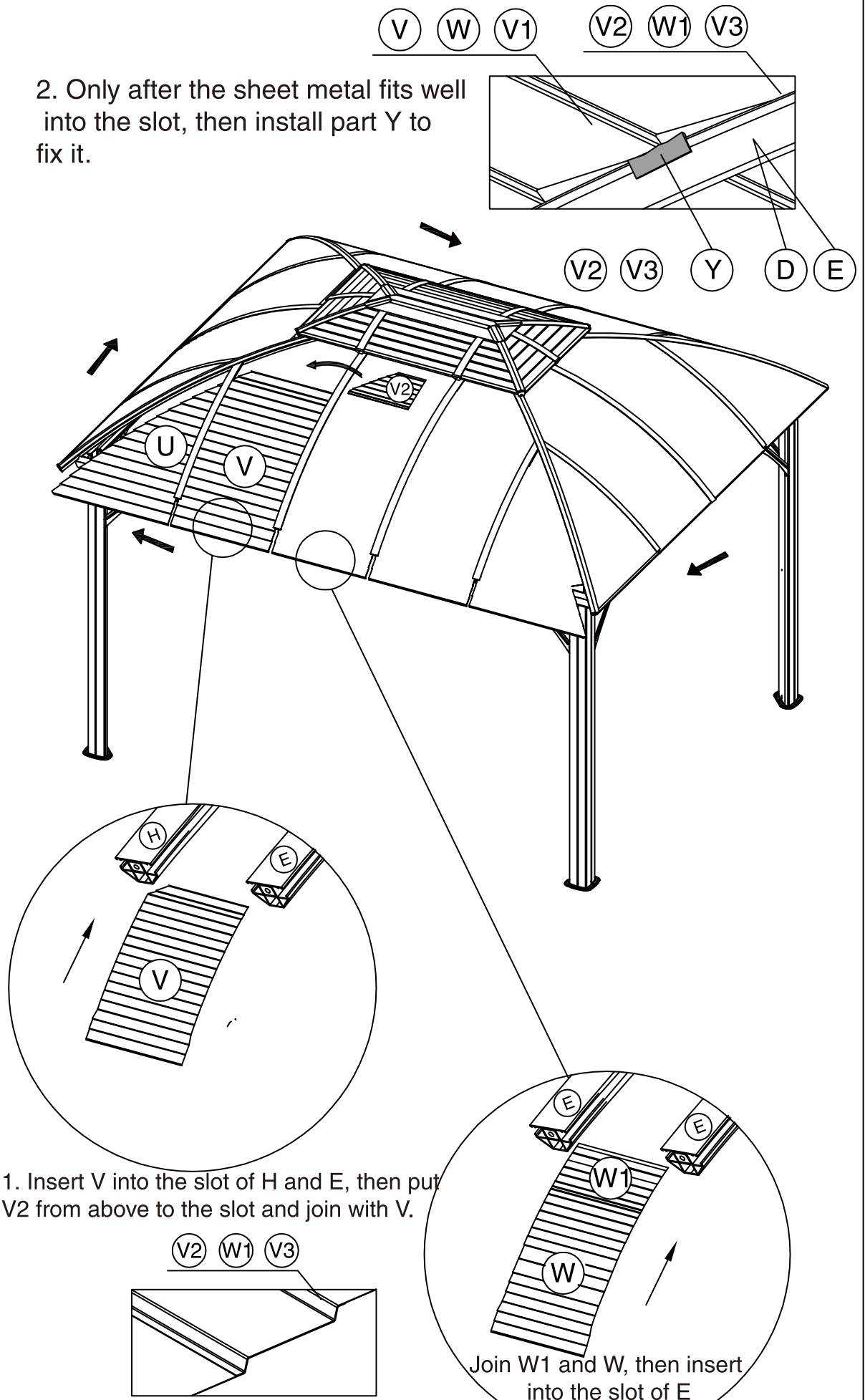
Attention:

Start from V and install piece by piece in a clockwise sequence. Only W and W1 can jointly insert into the slot. Fit V2 and V3 from top to the slot.



-  (U) 4x
-  (U1) 4x
-  (V) 4x
-  (V1) 4x
-  (V2) 4x
-  (V3) 4x
-  (W) 2x
-  (W1) 2x
-  (Y) 20x

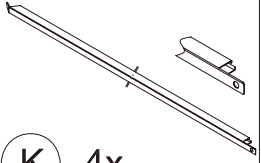
2. Only after the sheet metal fits well into the slot, then install part Y to fix it.



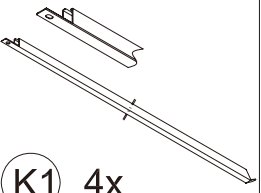
1. Insert V into the slot of H and E, then put V2 from above to the slot and join with V.

Join W1 and W, then insert into the slot of E

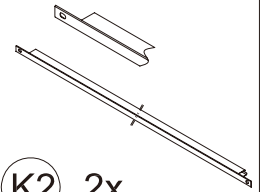
Connection between V and V2,V1and V3,Wand W1



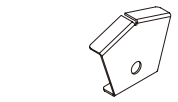
K 4x



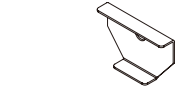
K1 4x



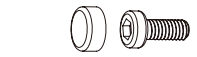
K2 2x



R 4x



R2 6x



M6X12

1 10x



ST4.8x10

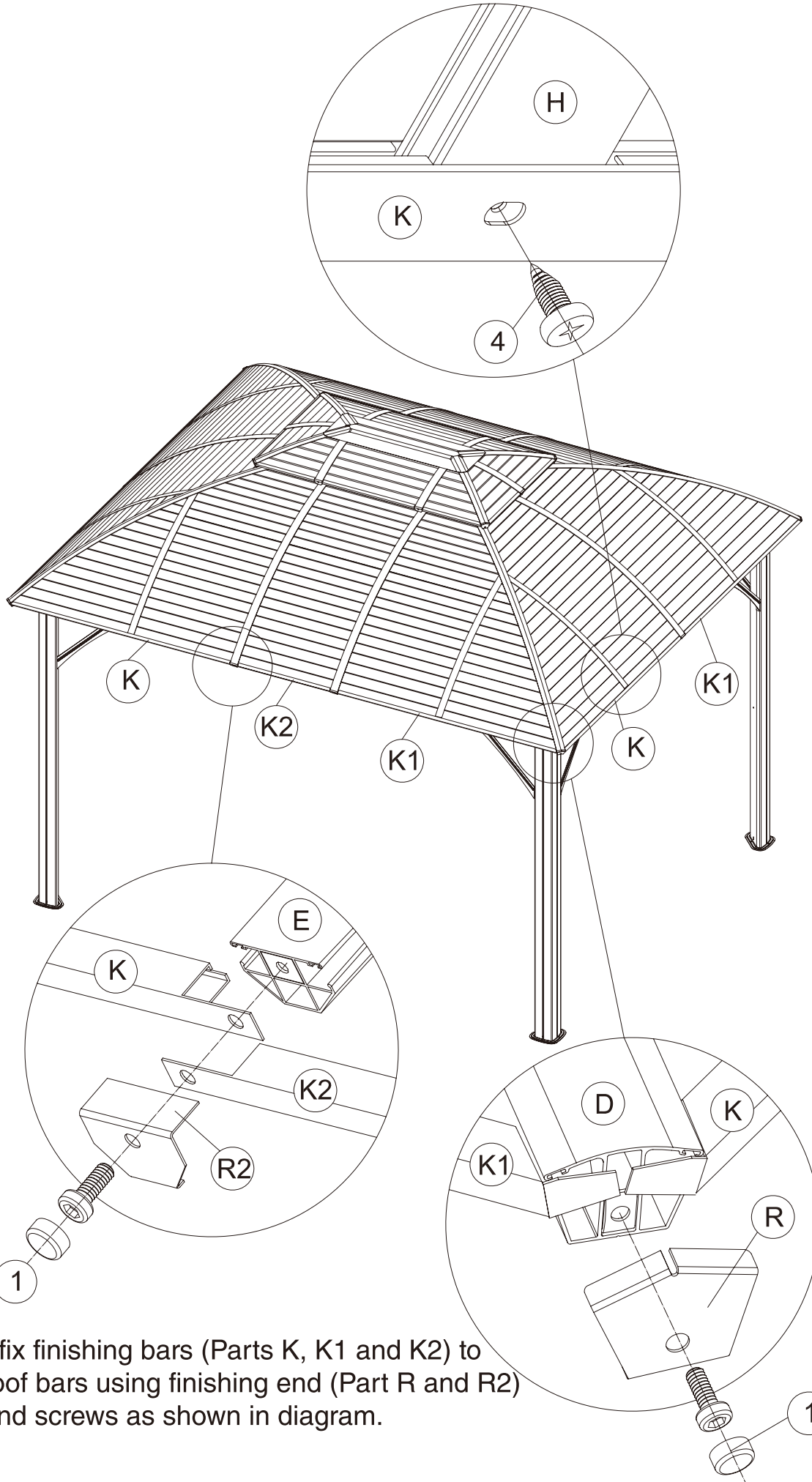
4 8x



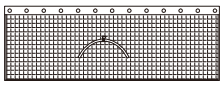
S4

6 1x

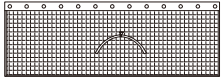
23



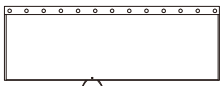
Affix finishing bars (Parts K, K1 and K2) to roof bars using finishing end (Part R and R2) and screws as shown in diagram.



Y1 2x



Y2 2x

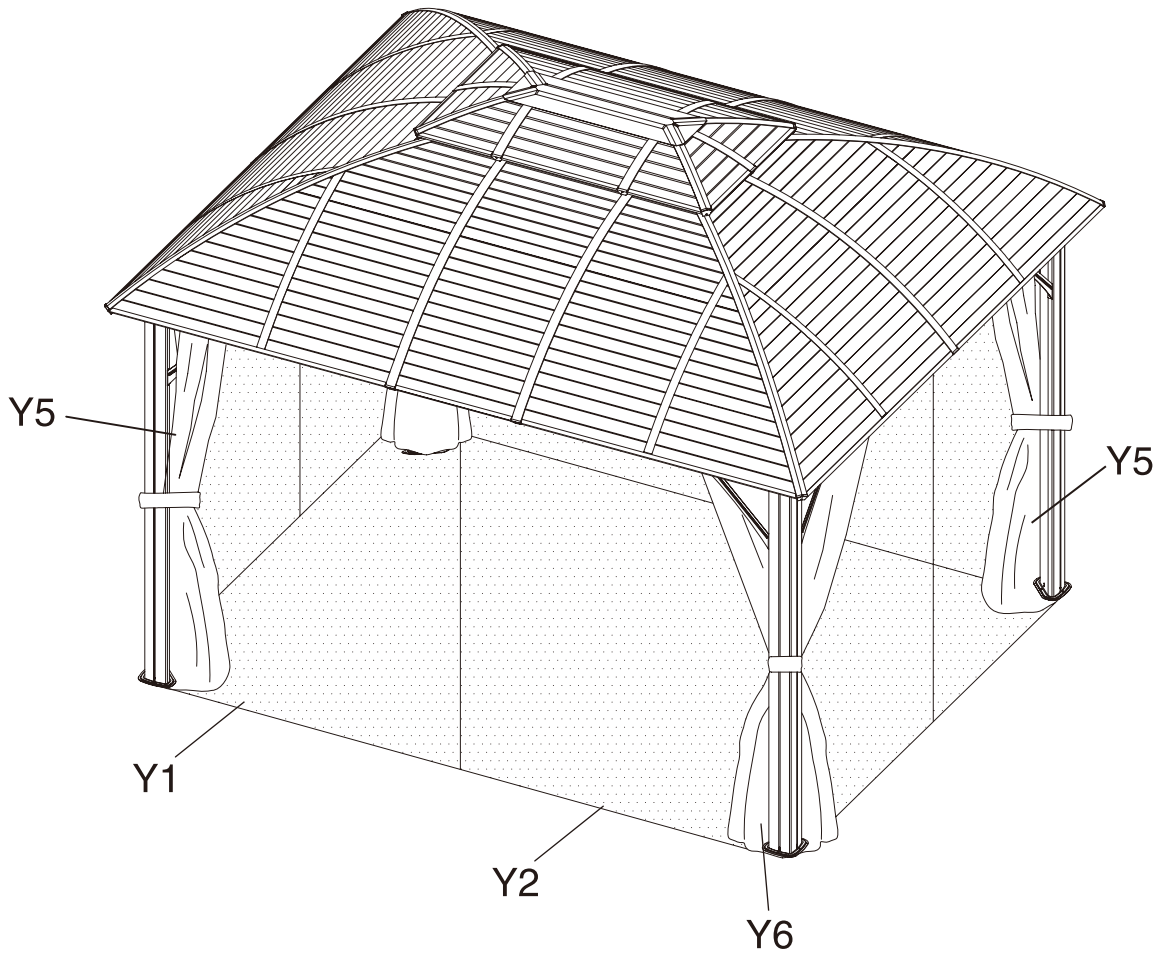
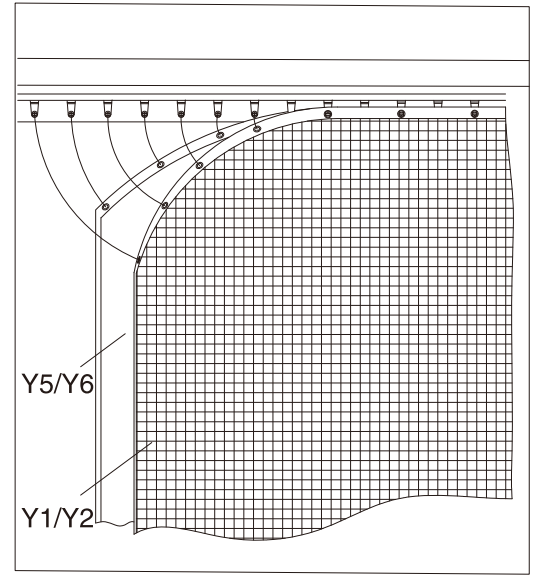
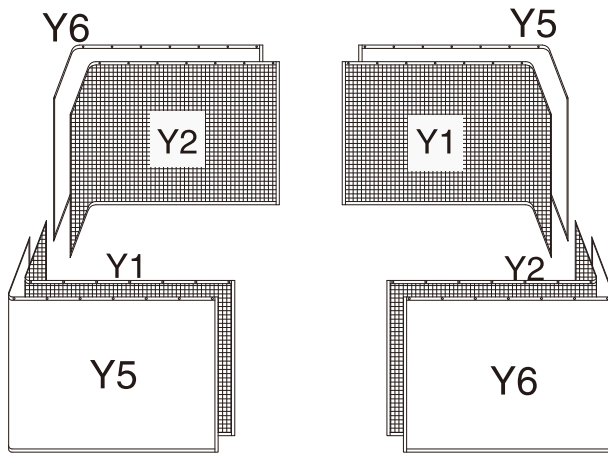
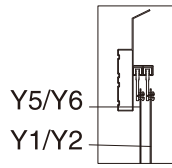


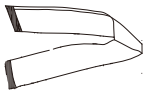
Y5 2x



Y6 2x

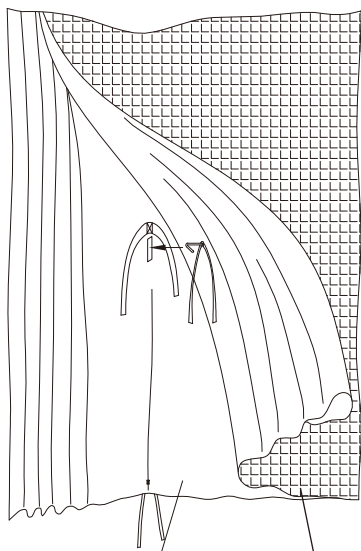
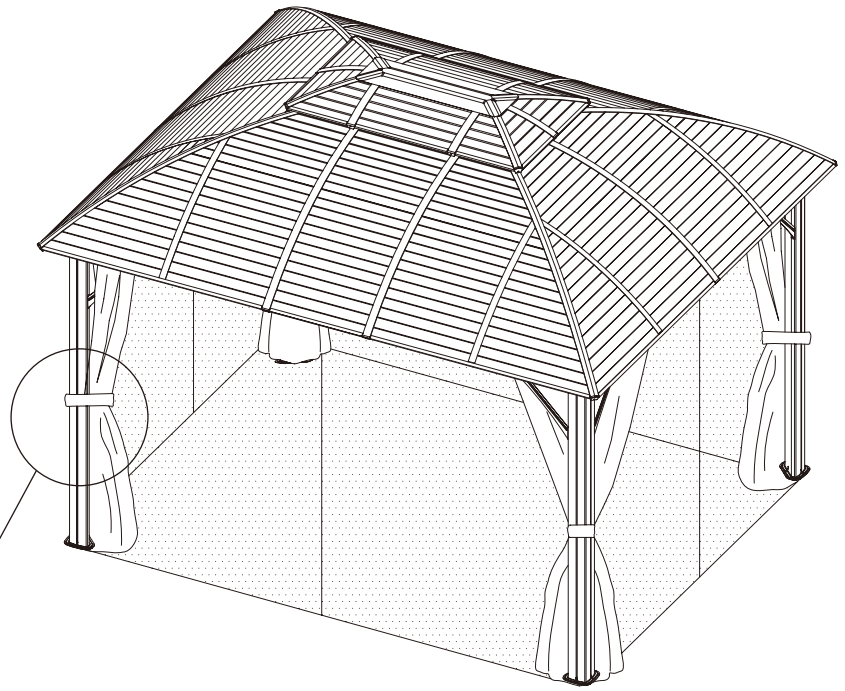
(1) Hang up Y1 & Y2 to the inside sidewall track as shown in diagram.
(2) Hang up Y5 & Y6 to the outside sidewall track as shown in diagram.





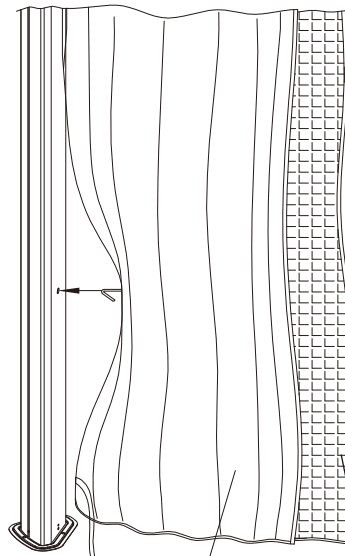
Yb 4x

When you close the curtain, please refer to below steps to fix with poles using Yb as shown in diagram.



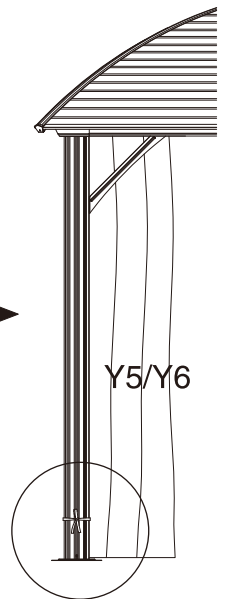
Y5/Y6

Y1/Y2

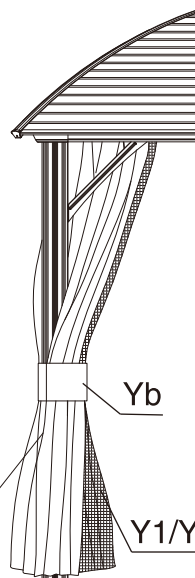


Y5/Y6

Y1/Y2



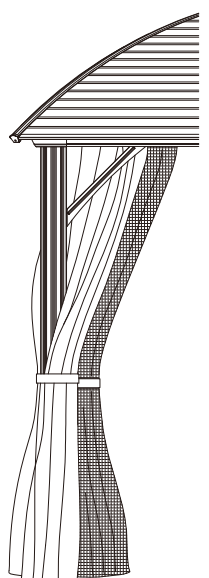
Y5/Y6



Yb

Y5/Y6

Y1/Y2



Thanks for your purchase.

At CheryLife, we believe in our products.

That's why we provide a 12-month warranty and friendly, easy-to-reach after-sales service. So if you have any questions about our product and assembly, please feel free to contact us. We will be here for you.

Support:

After-sales contact email:

info@cherylifeus.com

Business cooperation contact email:

info@cherylife.com

Please tell us your order ID when contact.

Attach photos of damaged part for instant reply.