

common material

linesheet: shape chair series
website: commonmaterial.nyc
contact: sales@commonmaterial.nyc

Established in 2020, common material is a Red Hook, Brooklyn based art and design platform focused on ideation and experimentation to create unique furniture and objects that relate to space. Through the exploration of familiar materials, artist and designer duo Cassan and Joel Kern, couple their interests to provide thought-provoking and lasting objects.

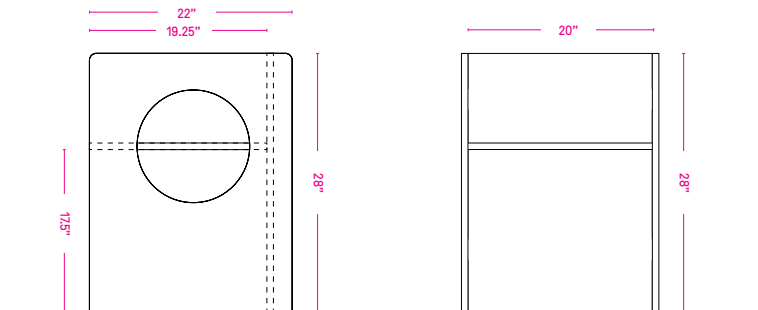


shape chair series



gg





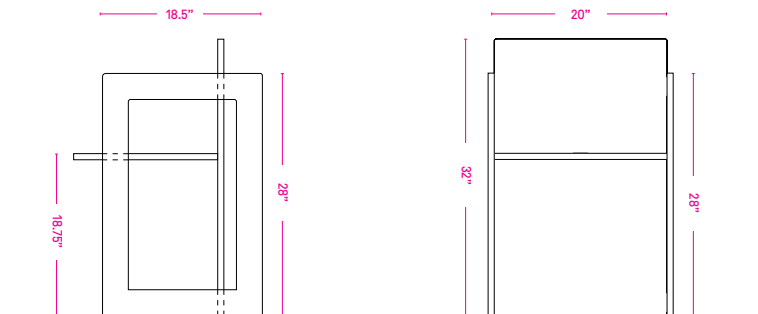
circle O1 chair

finish
natural
black
white
custom

msrp
\$285
\$325
\$325
\$365







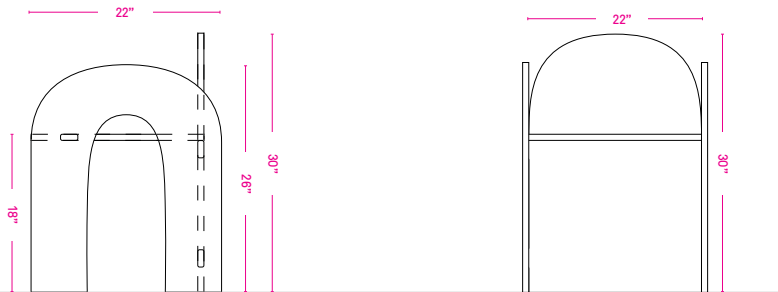
square 01 chair

finish
natural
black
white
custom

msrp
\$285
\$325
\$325
\$365







arch 01 chair

finish

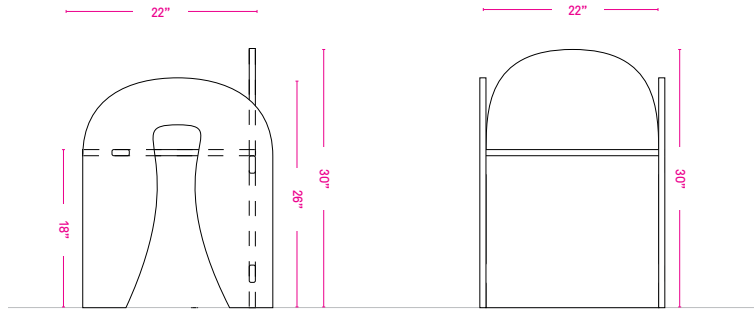
natural
black
white
custom

msrp

\$285
\$325
\$325
\$365







arch 02 chair

<u>finish</u>	<u>msrp</u>
natural	\$285
black	\$325
white	\$325
custom	\$365









©2021