

**ROBERT
GORDON**
INTERIORS

CERAMIC WALL HOOKS

Specification Sheet

Custom wall hooks designed and developed in Australia. Available in small or large size.



Coast Sml 330070 Lge 330170



Storm Sml 330091 Lge 330191



Rivergum Sml 330006 Lge 330106



Olive Sml 33000G Lge 33010G



Poppyseed Sml 330008 Lge 330108



Shale Sml 330027 Lge 330127



White Ochre Sml 330002 Lge 330102



Stone Sml 330025 Lge 330125



Saltbush Sml 330019 Lge 330119



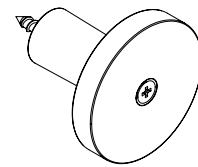
Bone Sml 330061 Lge 330161



Rose Quartz Sml 330003 Lge 330103

(ONLINE EXCLUSIVE)

Due to the nature of clay and our manufacturing process, variations on shade, colour, and size are a natural feature of ceramic product fired at high temperature.



Wall Hook

All our custom hooks are proudly designed and developed in Australia.

For more information about our product please contact our sales team on 03 5941 3144

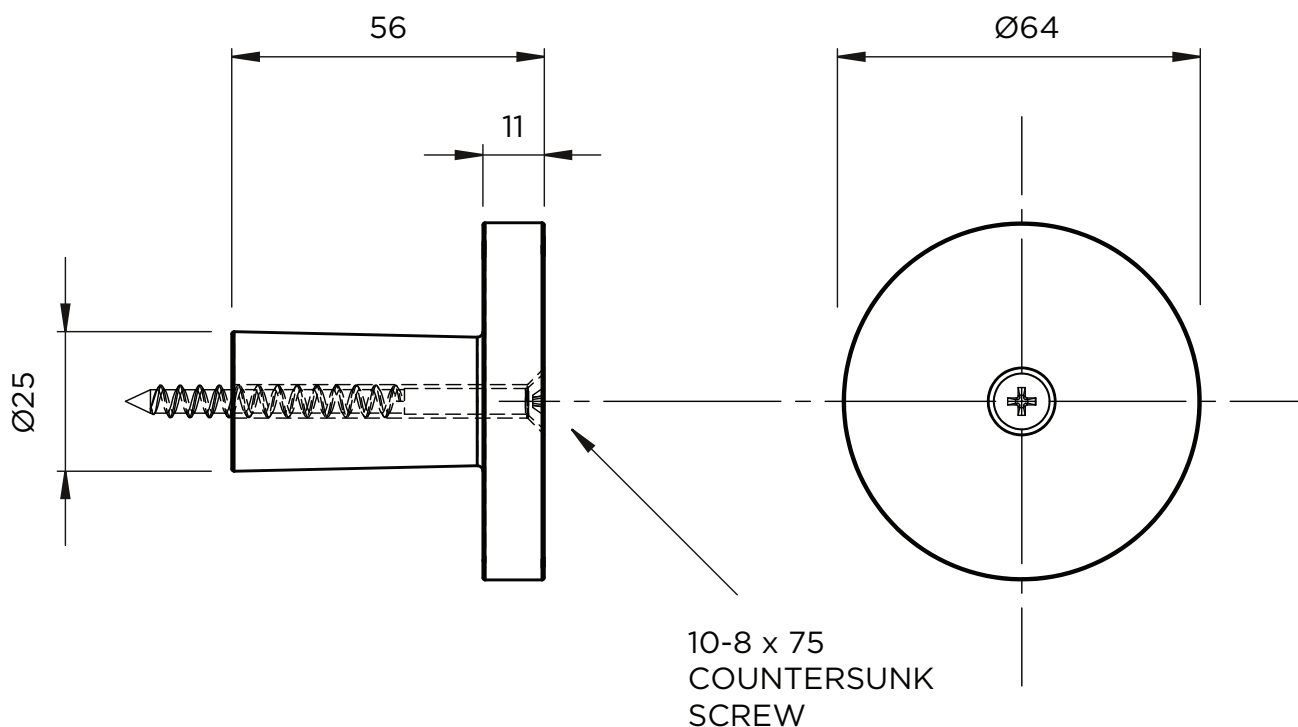
Wall Mounted Hook

Sml 3300 | 64mm

Lge 3301 | 97mm

Fixing: Includes black head 10-8 x 75mm countersunk screw, phillips head fastening

Will fit 10-8 screw minimum 75mm length



NOT TO SCALE

ALL DIMENSIONS IN MM

Due to the nature of clay and our manufacturing processes, size and glaze variations may occur. Variations on shade, colour and size are a natural feature of ceramic product fired at high temperature.