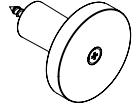


Robert Gordon Pottery

MADE IN AUSTRALIA



Wall Hook

All our custom hooks are proudly designed and developed in Australia.

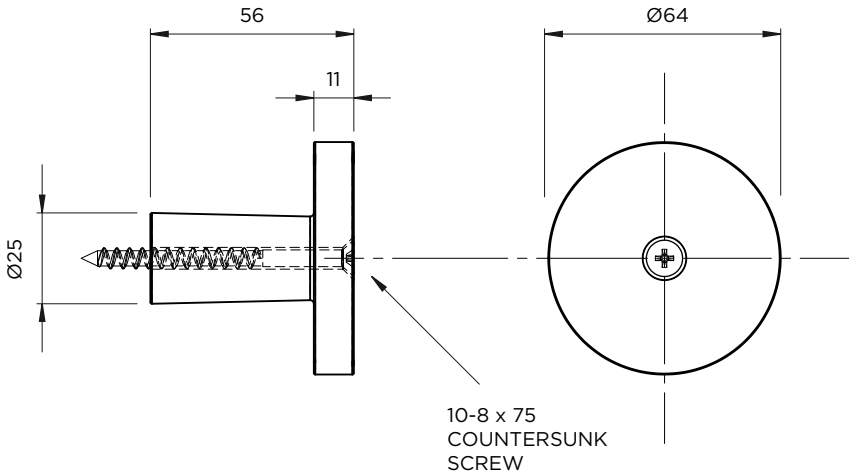
For more information about our product please contact our sales team on 03 5941 3144

Wall Mounted Hook

Dimensions: 64 x 56mm

Fixing: Includes black head 10-8 x 75mm countersunk screw, phillips head fastening

Will fit 10-8 screw minimum 75mm length



NOT TO SCALE
ALL DIMENSIONS IN MM

Due to the nature of clay and our manufacturing processes, size and glaze variations may occur.
Variations on shade, colour and size are a natural feature of ceramic product fired at high temperature.