

**ROBERT
GORDON**

INTERIORS

SMALL CAST BELL PENDANT

Specification Sheet

A traditional dome shape, the bell pendant comes in two sizes



225070 COAST



225091 STORM



225019 SALTBUSH



225025 STONE



225002 WHITE OCHRE



225008 POPPYSEED



225027 SHALE



225061 BONE



225006 RIVERGUM



22500G OLIVE

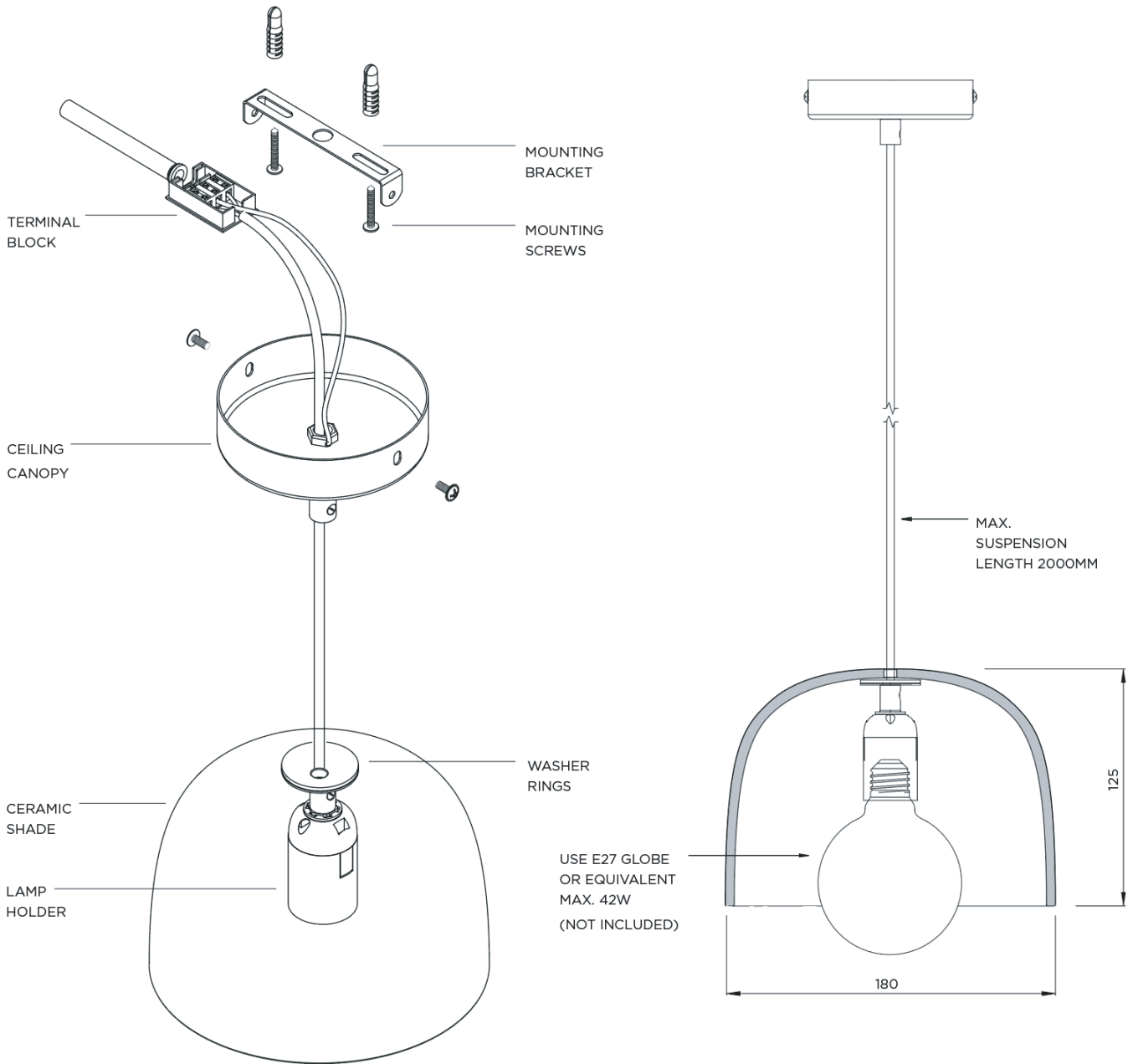


225003 ROSE QUARTZ
(ONLINE EXCLUSIVE)

Due to the nature of clay and our manufacturing process, variations on shade, colour, and size are a natural feature of ceramic product fired at high temperature.

ROBERT GORDON

INTERIORS



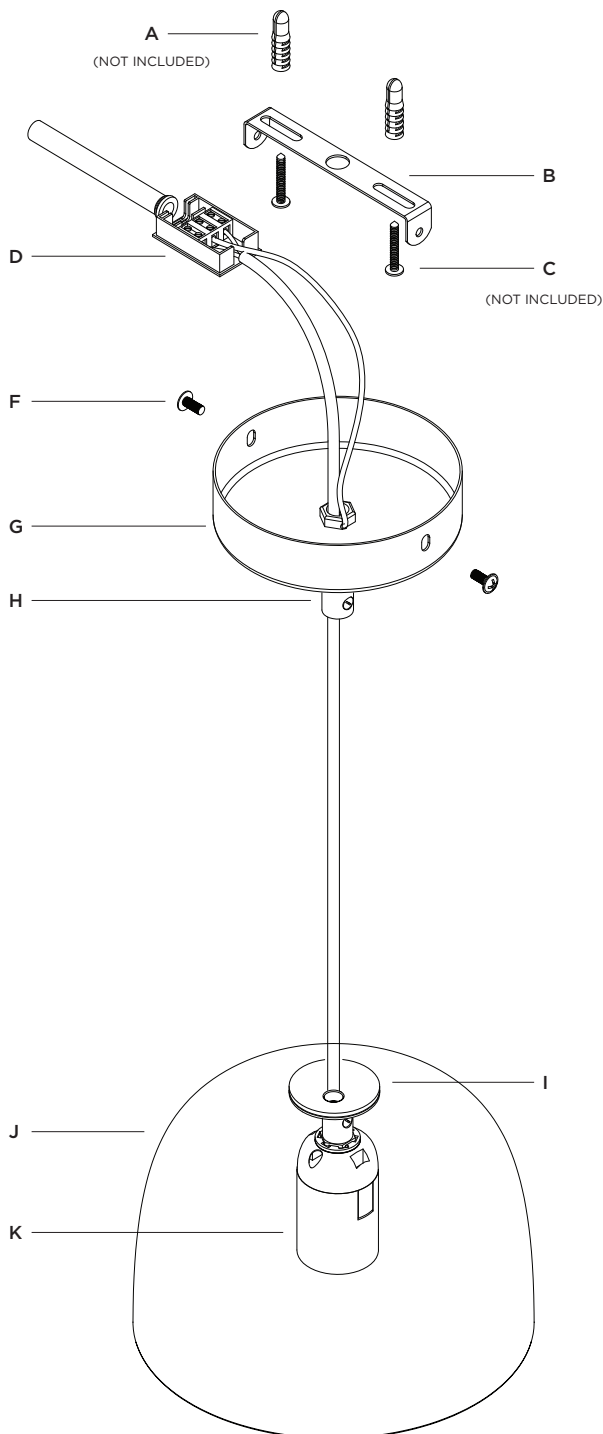
PRODUCT	TITLE	HARDWARE	DIMENSIONS	RECOMMENDED GLOBE TYPE	SUSPENSION LENGTH	FITTING RATING
2250	CAST SMALL BELL	MOUNTING BRACKET CEILING CANOPY MOUNTING SCREWS TERMINAL BLOCK LAMP HOLDER WASHER RINGS CERAMIC SHADE	180x125mm	E27 42W Max GLS CFL / LED equivalent	MAX. 2000MM	IP20

ROBERT GORDON

INTERIORS

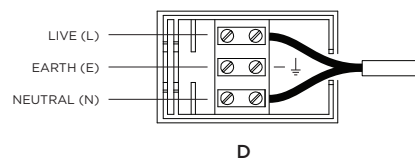
Thank you for purchasing high quality Australian made product, proudly designed and crafted by Robert Gordon Pottery. All our ceramic lighting products are made from high fired stoneware and adhere to all Australian standards and requirements.

To ensure correct function and safety, please read and follow all instructions carefully before assembly. Keep this document handy for future reference.



Installation instructions

1. Remove all packaging material from lighting product. Be carefully not to discard any small parts such as screws that may be hidden within the packaging.
2. Unfasten the mounting bracket (B) from the canopy (G) by loosening the screws (F) on either side.
3. Use the mounting bracket (B) as a template to mark the screw positions on ceiling.
4. Install the mounting bracket (B) onto ceiling by using mounting screws (C) and anchors (A). Ensure the correct type of screws (C) and fixing anchors (A) are used for ceiling material and surface.
5. Carefully thread cord through hole in ceramic pendant (J) until it reaches both washer rings (I)
6. Adjust the suspension cord length, then make sure the screw in cord anchorage (H) is fixed tight.
7. Connect the Live (L), Neutral (N) and Earth (E) according to the markings of the terminal block (D)



8. Fix the ceiling canopy (G) to the mounting plate (B) with the 2 screws provided (F)
9. Install a globe into the lamp holder (K). Do not exceed the maximum wattage rating.

Specifications

SKU #: 2250

Product: Cast Small Bell

Dimensions: Dia:180mm H:125mm Susp: 2000mm (max)

Voltage: 230-240V AC 50Hz

Globe: E27 42W MAX GLS or equivalent CFL or LED

Construction: Class 1

ROBERT GORDON

INTERIORS

Warranty

- This product is covered by a 12 month warranty, from date of purchase..
Warranty does not begin from date of installation.
- This product must be installed by a licensed electrician. Warranty will be void if this requirement is not met.
- Retain proof of purchase and evidence of installation by a licensed electrician.
- Warranty will be void if there is any damage to product, due to improper usage or modification to fitting.
- Failure to follow the instructions in this manual may increase the risk of damage or injury and will void warranty.
- If luminaire is damaged, it shall be exclusively replaced by the manufacturer or his service agent or a similar qualified person in order to avoid a hazard.

THIS ITEM MUST BE INSTALLED BY A LICENSED ELECTRICIAN

Installation requirements

- Product must be installed by a qualified electrician.
- All wiring and installation of the light fitting must adhere to local and national wiring regulations.
for eg. AS/NZS 3000:2007/Amendment 2:2012 Electrical installations.
- Do not exceed the maximum wattage rating.
- Ensure a suitable location for installation. This product is intended for indoor use only. Do not install in front of air flow vents or systems and areas compromised by moisture or dampness. If installation area is prone to moisture an appropriate exhaust fan may be required. Damage caused by corrosion is not a product fault, and as such not covered under product warranty.
- Check entire product before installation for any sign of damage. Do not install product if there appears to be signs of damage in any way.
- Ensure before any work is undertaken that the power is switched OFF at mains.

Safety tips / Maintenance

- Always ensure the power is OFF and the light fitting has cooled down before carrying out any maintenance or cleaning on globe or pendant.
- To avoid damage to fitting, ensure the power lead and screws are secure before connecting the power.
- Ensure that the fitting does not come in contact with corrosive chemicals, etc.
- To clean bowl sconce, wipe with a damp cloth making sure power is OFF.

**Designed and made in Australia by
Robert Gordon Pottery**

For more information on this product, please contact us:

03 5941 3144

sales@robertgordonaustralia.com