

**ROBERT
GORDON**
INTERIORS

CAST LARGE CYLINDER PENDANT

Data Sheet

Structural and contemporary, and available in our Robert Gordon signature reactive style glazes, our cylinder pendant is casted from high fired, durable stoneware and is developed in two different sizes.



225370 COAST

225391 STORM

225319 SALT BUSH

225325 STONE



225303 ROSE QUARTZ

225308 POPPYSEED

225318 LIQUORICE

225361 BONE



2253MK MILK

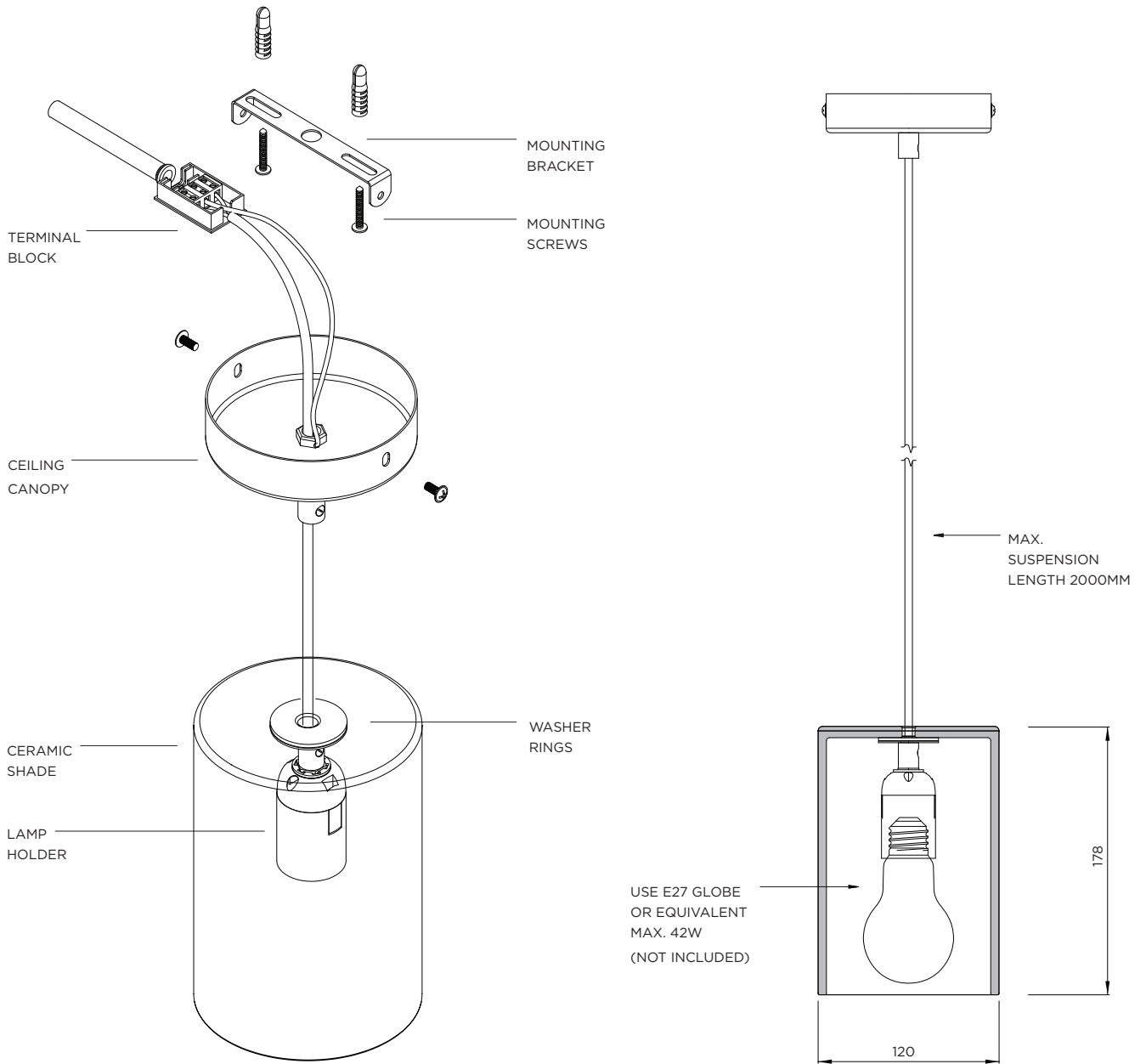
2253OG OLIVE

2253CH CHAI

Due to the nature of clay and our manufacturing process, variations on shade, colour, and size are a natural feature of ceramic product fired at high temperature.

ROBERT GORDON

INTERIORS



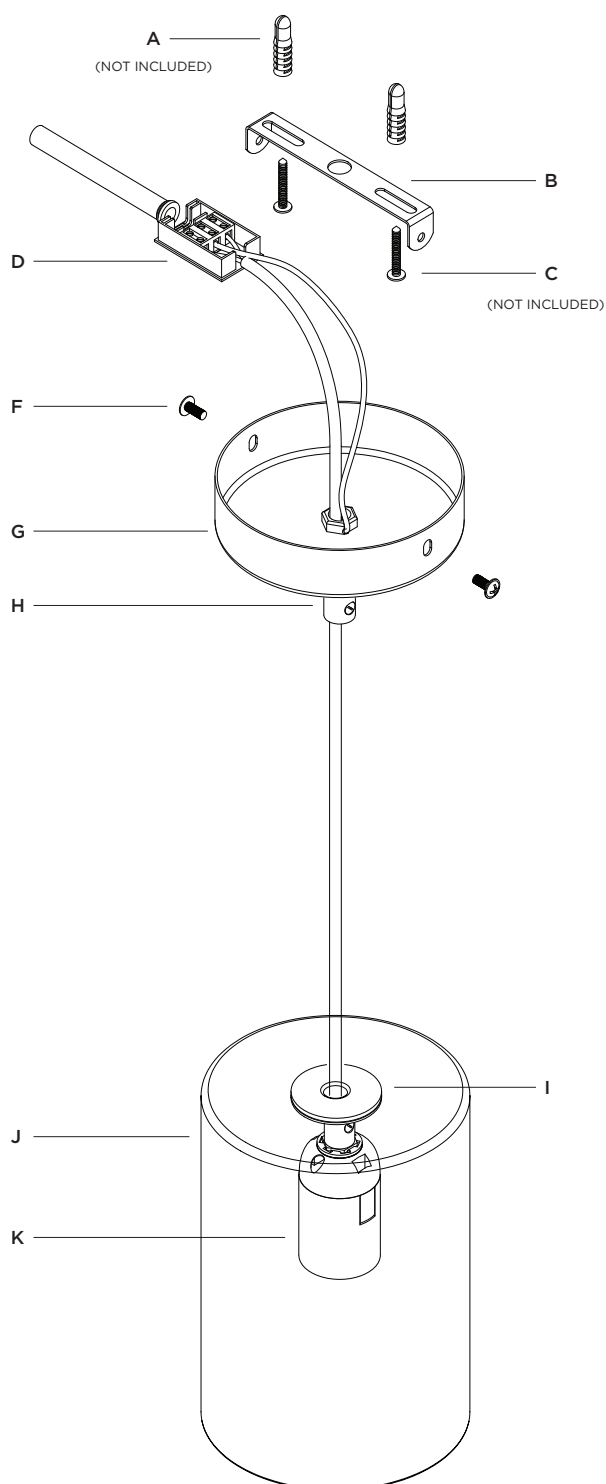
PRODUCT	TITLE	HARDWARE	DIMENSIONS	FINISHES	RECOMMENDED GLOBE TYPE	SUSPENSION LENGTH	FITTING RATING
2253	CAST LARGE CYLINDER	MOUNTING BRACKET CEILING CANOPY MOUNTING SCREWS TERMINAL BLOCK LAMP HOLDER WASHER RINGS CERAMIC SHADE	120x178MM	225370 COAST 225391 STORM 225319 SALT BUSH 225303 ROSE QUARTZ 225308 POPPYSEED 225318 LIQUORICE 225361 BONE 2253MK MILK 22530G OLIVE 2253CH CHAI	E27 42W Max GLS / CFL / LED equivalent	MAX. 2000MM	IP20

ROBERT GORDON

INTERIORS

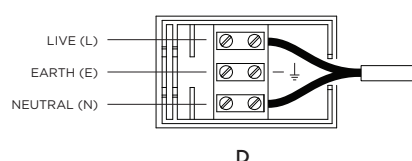
Thank you for purchasing high quality Australian made product, proudly designed and crafted by Robert Gordon Pottery. All our ceramic lighting products are made from high fired stoneware and adhere to all Australian standards and requirements.

To ensure correct function and safety, please read and follow all instructions carefully before assembly. Keep this document handy for future reference.



Installation instructions

1. Remove all packaging material from lighting product. Be carefully not to discard any small parts such as screws that may be hidden within the packaging.
2. Unfasten the mounting bracket **(B)** from the canopy **(G)** by loosening the screws **(F)** on either side.
3. Use the mounting bracket **(B)** as a template to mark the screw positions on ceiling.
4. Install the mounting bracket **(B)** onto ceiling by using mounting screws **(C)** and anchors **(A)**. Ensure the correct type of screws **(C)** and fixing anchors **(A)** are used for ceiling material and surface.
5. Carefully thread cord through hole in ceramic pendant **(J)** until it reaches both washer rings **(I)**
6. Adjust the suspension cord length, then make sure the screw in cord anchorage **(H)** is fixed tight.
7. Connect the Live (L), Neutral (N) and Earth (E) according to the markings of the terminal block **(D)**



8. Fix the ceiling canopy **(G)** to the mounting plate **(B)** with the 2 screws provided **(F)**
9. Install a globe into the lamp holder **(K)**. Do not exceed the maximum wattage rating.

Specifications

SKU #: 2253

Product: Cast Large Cylinder

Dimensions: Dia:120mm H:178mm Susp: 2000mm (max)

Voltage: 230-240V AC 50Hz

Globe: E27 42W MAX GLS or equivalent CFL or LED

Construction: Class 1

ROBERT GORDON

INTERIORS

Warranty

- This product is covered by a 12 month warranty, from date of purchase..
Warranty does not begin from date of installation.
- This product must be installed by a licensed electrician. Warranty will be void if this requirement is not met.
- Retain proof of purchase and evidence of installation by a licensed electrician.
- Warranty will be void if there is any damage to product, due to improper usage or modification to fitting.
- Failure to follow the instructions in this manual may increase the risk of damage or injury and will void warranty.
- If luminaire is damaged, it shall be exclusively replaced by the manufacturer or his service agent or a similar qualified person in order to avoid a hazard.

THIS ITEM MUST BE INSTALLED BY A LICENSED ELECTRICIAN

Installation requirements

- Product must be installed by a qualified electrician.
- All wiring and installation of the light fitting must adhere to local and national wiring regulations.
for eg. AS/NZS 3000:2007/Amendment 2:2012 Electrical installations.
- Do not exceed the maximum wattage rating.
- Ensure a suitable location for installation. This product is intended for indoor use only. Do not install in front of air flow vents or systems and areas compromised by moisture or dampness. If installation area is prone to moisture an appropriate exhaust fan may be required. Damage caused by corrosion is not a product fault, and as such not covered under product warranty.
- Check entire product before installation for any sign of damage. Do not install product if there appears to be signs of damage in any way.
- Ensure before any work is undertaken that the power is switched OFF at mains.

Safety tips / Maintenance

- Always ensure the power is OFF and the light fitting has cooled down before carrying out any maintenance or cleaning on globe or pendant.
- To avoid damage to fitting, ensure the power lead and screws are secure before connecting the power.
- Ensure that the fitting does not come in contact with corrosive chemicals, etc.
- To clean bowl sconce, wipe with a damp cloth making sure power is OFF.

**Designed and made in Australia by
Robert Gordon Pottery**

For more information on this product, please contact us:

03 5941 3144

sales@robertgordonaustralia.com