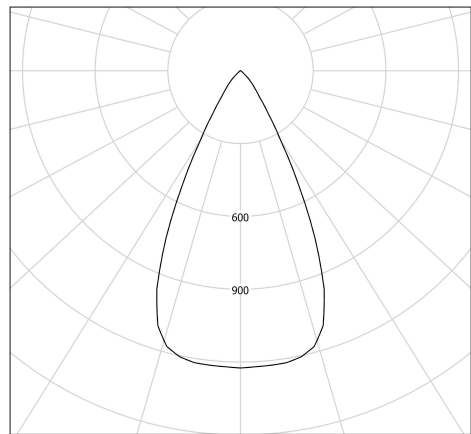




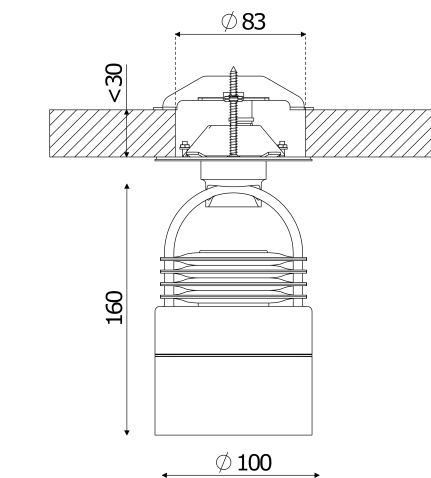
Description

MOD RCSD spotlight with recessed equipment housing (Stefan Diez design). SILVER finishing. Equipped with an interchangeable perforated collimator GRID, SILVER finishing. Low-voltage head, diameter 100, can swivel through 360° thanks to a nickel-plated copper double hoop. Silver anodised aluminium fin passive heat sink. Interchangeable perforated tubular collimator in silver anodised aluminium



Light specifications and controlling

- CoB LED Module 900 lm (without endcap), IRC>90, 2700 K, 3 SDCM
- Interchangeable optics unit composed of a mixing chamber and a Wide Beam 50° glass lens
- Driver with constant current output, dimmable by Bluetooth Casambi



Installation and maintenance

- Dimensions : Head : Ø100x160 mm
- Prewired driver, fitted with a male-female Wieland coupling. 220-240 V 50/60Hz power supply
- Fixing device on hollow partition with two fastening screws (included), covered with an anodized aluminium covering plate (diameter of the installation hole : 83 mm, wall thickness : 30 mm max, empty plenum height : 100 mm mini)



Characteristics

- Warranty : 5 years
- 50 000 h L80/B10 at 25°C
- Operating temperature: -5 °C to +35 °C
- Protection : IP20
- Electrical class: Class I
- Power consumption: 12 W
- Photobiological hazard: Group 1
- Fire resistance: 850 °C
- Weight: 1,05 kg
- Designed and made in France and Germany