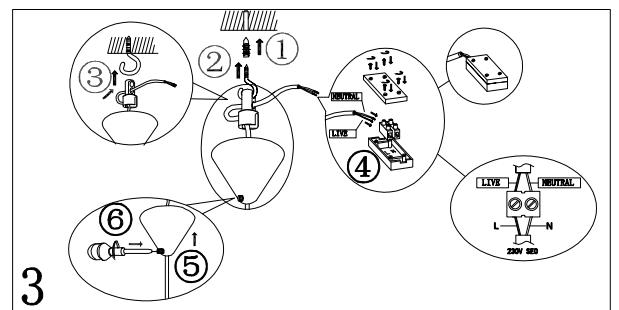
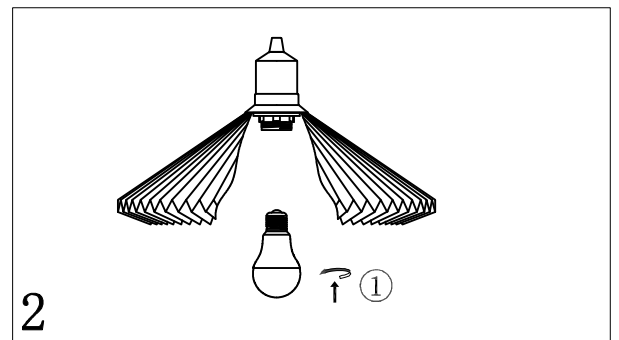
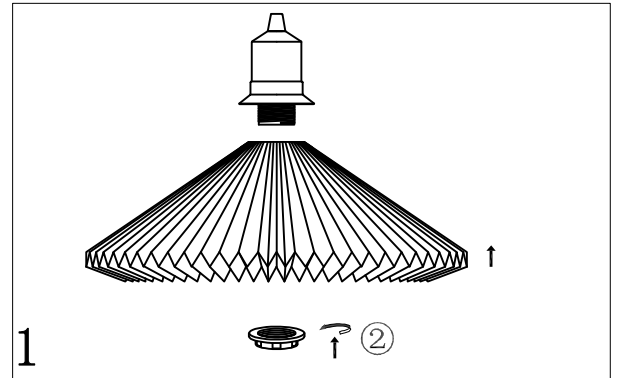
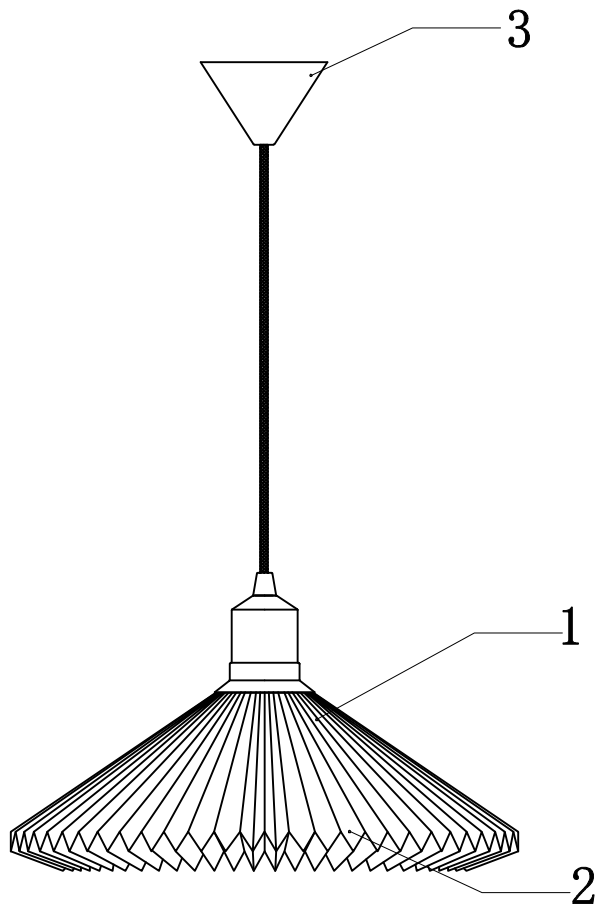


INSTRUCTION MANUAL

Model: 5705639744169 & 5705639744176

— 5705639744268 & 5705639744275



INSTRUCTION MANUAL

- 1 Follow the instruction sketch.
- 2 Make sure power is OFF on the outlet, before beginning the installation.
- 3 Insert the light bulb.
- 4 Go through point 1 to 3 before connecting the lamp to the power.

230V.1xE27 .MAX LED 15W

