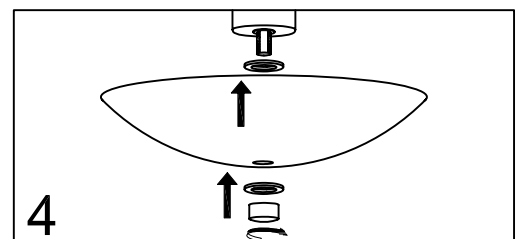
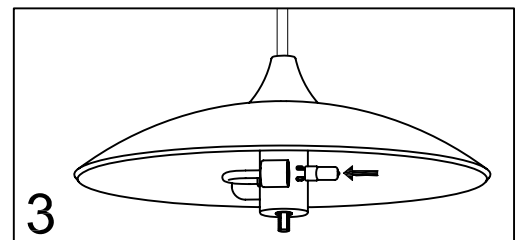
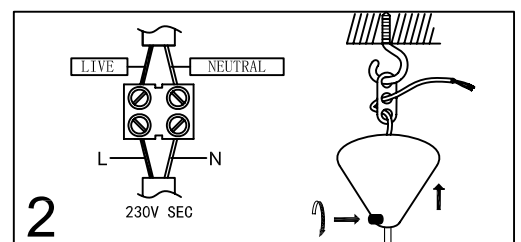
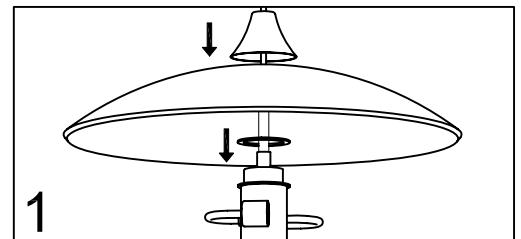
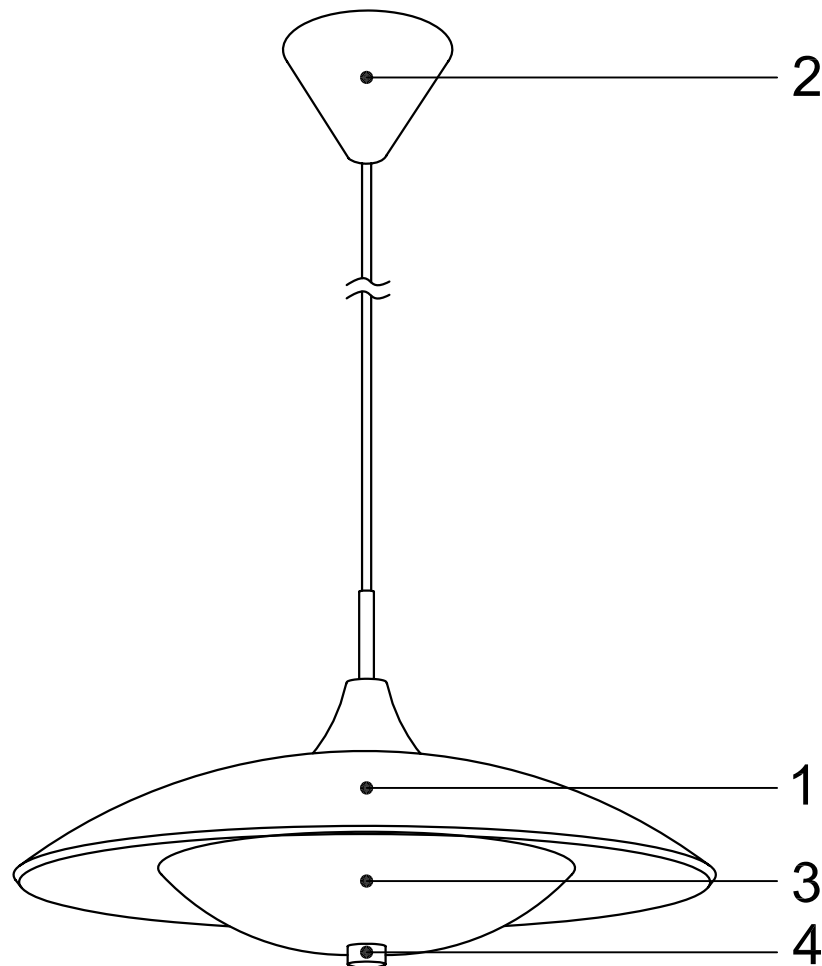


INSTRUCTION MANUAL

Model: Baroni pendel



INSTRUCTION MANUAL

- 1 Follow the instruction sketch.
- 2 Make sure power is OFF on the outlet, before beginning the installation.
- 3 Insert the light bulb.
- 4 Go through point 1 to 4 before connecting the lamp to the power.

230V.2xG9 .MAX LED 7W

