

NuFeet™

Foot & Calf Massaging Ottoman

CO-3000

cozzia®

Hello.

Congratulations on purchasing your new Cozzia NuFeet, the world's first shiatsu foot and calf massaging ottoman. Thank you for trusting us to take the stress out of your day and pain out of your muscles. At Cozzia, we understand every body is different and have carefully designed all of our products with that in mind.

But enough about us, this is about you.

Learning how to use your new massager is simple (we designed it that way). So let's get started.

Safety

IMPORTANT SAFETY INSTRUCTIONS

We're looking out for you. Important things to remember:

To ensure safe and correct use your foot massager, do not operate it without reading all instructions in this manual carefully. (We spent a lot of time on it)

DANGER - To reduce the risk of electric shock:

- Always unplug this appliance from the electrical outlet immediately after using and before cleaning.
- Please don't stick your foot massager with pins.
- Do not use your foot massager when your body is wet - this includes using the foot massager with wet feet. Keep your foot massager dry and do not operate in any wet or moist condition.

WARNING - To reduce the risk of burns, fire, electric shock, injury to persons:

- Use this appliance only for its intended use as described in this manual. Do not use attachments not recommended by the manufacturer.
- Do not use your foot massager in combination with other therapeutic equipment as this may result in ineffectiveness or injury.
- Excessive heating can occur and cause fire, electric shock, or injury. Household use only.
- Do not use your foot massager when the upholstery is removed. This may cause injury or malfunction.
- Never operate the appliance with the air openings blocked. Keep the air openings free of lint, hair, and the like. Never drop or insert any object into any opening.
- Do not tamper with the power cord or use the foot massager with a damaged cord as this may result in malfunction and electric shock. Keep the cord away from heated surfaces, direct sunlight, and raging fires.
- Do not carry the foot massager by the power cord or use cord as a handle.

- An appliance should never be left unattended when plugged in. Unplug from outlet when not in use, and before putting on or taking off parts.
- Never operate this appliance if it has a damaged cord or plug, if it is not working properly, if it has been dropped, damaged, or dropped into water.
- Turn off the massager before unplugging it. To disconnect, turn all controls to the off position, then remove plug from outlet.
- Do not operate where aerosol products are being used or where oxygen is being administered.
- Your foot massager does not like fresh air. Please do not store or use outdoors.
- Do not allow children or pets to play with your foot massager - it is dangerous and they won't appreciate it as much as you do. Supervision is necessary when your massager is being used by invalided or disabled persons.
- Do not use your foot massager in close proximity to loose clothing, jewelry, keep long hair away from massager while in use.
- Do not perform continuous massage on the same spot of your body for more than 5 minutes at a time as this may result in excessive stimulation and have adverse effects.
- Do not insert your hand or feet along the paths of the massage rollers during use as this may cause injury.
- Do not apply the massage rollers directly on the head, elbow, knee joint, torso, or abdomen.
- Do not use your foot massager an hour before or after eating as this may an adverse effect on you.
- Stop operation immediately if you feel any discomfort.
- Please don't use the foot massager under the influence of alcohol or drugs.
- We're not doctors. This product is not intended for self-treatment of conditions that should be managed by a qualified health care provider.
- People on medication or with medical conditions, please consult your doctor before use. (You can see more about that below)
- Do not use on sensitive skin areas or in the presence of poor circulation. The unattended use of heat by children or incapacitated persons maybe dangerous.

Save These Instructions

FCC Statement

FCC STATEMENT

This device complies with part 15 of the FCC Rules. Operation is subject to the following two conditions: (1) This device may not cause harmful interference, and (2) This device must accept any interference received, including interference that may cause undesired operation.

FCC WARNING: This equipment has been tested and found to comply with the limits for a Class B digital device, pursuant to Part 15 of the FCC Rules. These limits are designed to provide reasonable protection against harmful interference in a residential installation.

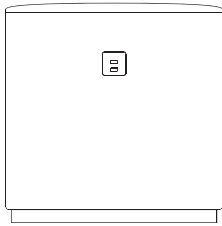
- This equipment generates, uses and can radiate radio frequency energy and, if not installed and used in accordance with the instructions, may cause harmful interference to radio communications.
- However, there is no guarantee that interference will not occur in a particular installation. If this equipment does cause harmful interference to radio or television reception, which can be determined by turning the equipment off and on, the user is encouraged to try to correct the interference by one or more of the following measures:
- Reorient or relocate the receiving antenna.
- Increase the separation between the equipment and the receiver.
- Connect the equipment into an outlet different from that to which the receiver is connected.
- Consult the dealer or an experienced radio/TV technician for help

Warning

- To reduce the risk of electric shock, this appliance has a polarized plug (one blade is wider than the other). This plug will fit in a polarized outlet only one way. If the plug does not fit fully in the outlet, reverse the plug. If it still does not fit, contact a qualified electrician to install the proper outlet.
- Do not change the plug in any way.
- Do not insert your finger into any openings - appliance has moving parts and injury may occur.
- Use heated surfaces carefully. May cause serious burns.

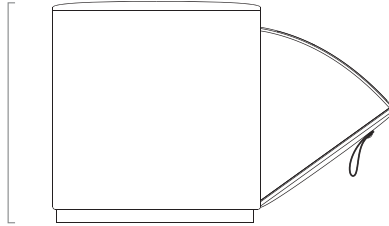
Dimensions

Get your numbers here.



Width 18.9"

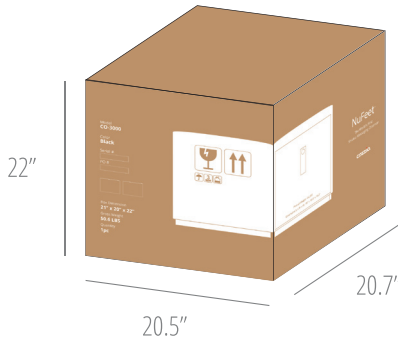
Height
19.3"



Length 18"

Length 28"

Weight Capacity : 200 lbs
Product Weight : 45 lbs



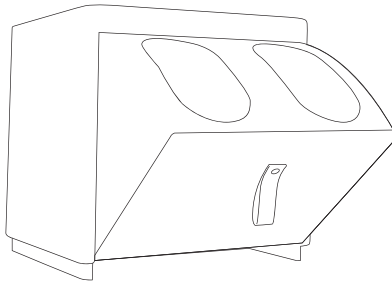
Box dimension / Weight: 50.5 lbs

Contents

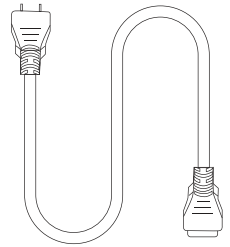
Everything you need for a relaxing experience.



User Manual



Foot & Calf Massage Ottoman

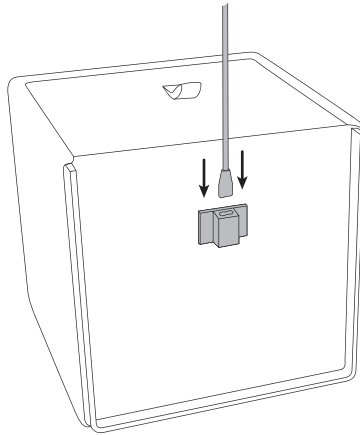


Power Cord

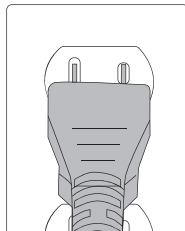
Installation

Two easy steps.

1. Connect the power cord into bottom of the ottoman.

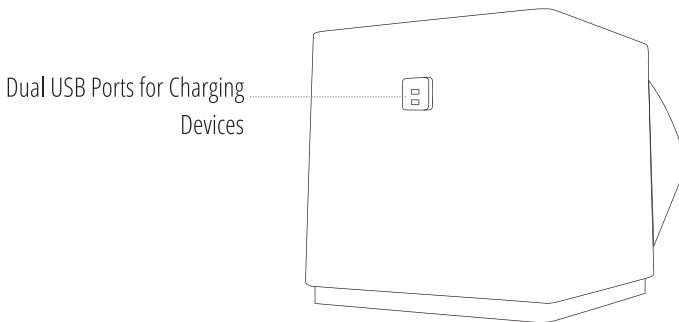
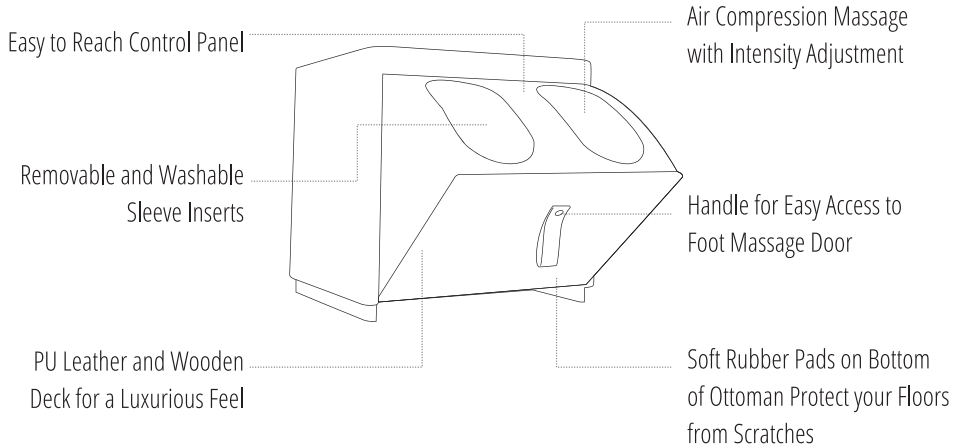


2. Plug the other end of the power cord into an outlet.



Functions and Special Features

A few things that make the Cozzia NuFeet so special...



Getting Started

Turn it on.

After taking your Cozzia NuFeet out of the box, plug the power cord into the slot under the ottoman and plug the other end into an electrical outlet. Open the ottoman's massage door, place your feet into the openings, and press the power button.



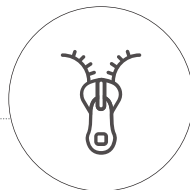
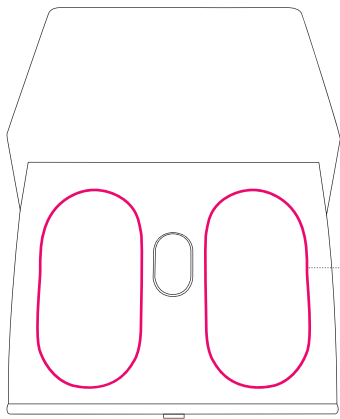
Caring For Your Ottoman

How to wash and clean.

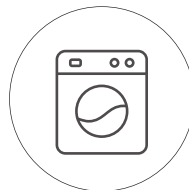
- Treat your massage ottoman with love and it will return the favor. Below are some tips on just how to do that.
- Using your massage ottoman for longer than an hour at a time is not recommended. Just like your feet, your massage ottoman needs rest too.
- Spot clean only with mild soap and a small amount of water.
- Never use abrasive brushes or cleaners like benzene or paint thinner to clean your massage ottoman. In other words, if you wouldn't take a bath with it, neither should your massage ottoman.
- If you store your massage ottoman in a cold place, please wait one hour before use for the best results.
- Keep the cord away from heated surfaces, direct sunlight, and raging fires.
- Your massage ottoman does not like fresh air. Please do not store or use outdoors.
- Do not attempt to repair your massage ottoman. There are no user serviceable parts. If you do need help, please give us a call and we'll be happy to assist.

How to wash

Simply unzip the sleeve inserts and throw them in the wash for a refreshing massage experience, every time.



Unzip the Foot Sleeve



Machine Washable

People With Medical Conditions

We want to make sure you are always safe. Please consult your doctor before you use if you:

- Are under medical rest as ordered by a doctor
- Have foot problems
- Have diabetes, osteoporosis or sensory impairment
- Have joint dysfunction such as rheumatism, hammertoe, or gout
- Have a pacemaker or other electronic medial device
- May be pregnant
- Have phlebitis or thrombosis
- Have an increased risk for blood clots
- Had recent surgery
- Have surgical pins, screws, or anything mechanical in the legs, ankles, or feet

Warranty

We want to make sure you're happy. To do that, we offer you a limited warranty that comes with your purchase and is valid for one year. If your Cozzia NuFeet fails during normal use, contact our service department. Our warranty does not cover damage caused by misuse, neglect, accidents, alterations to your massager, abuse, or improper maintenance (if you are not sure about how to take care of your massager, just check out page 9 of this manual).

Service and Technical Support

We are here to help. Customers can contact Cozzia's customer service department at 1-877-977-0656 between 9:00 am and 5:00 pm PST, Monday through Friday or email us at service@cozziausa.com. You can also visit our website at www.cozziausa.com for warranty and service issues.

Before you call, please make sure you know the serial number and have dated proof of your purchase (a sales receipt, for example).

A Cozzia customer service representative will attend to most customer inquiries but in some cases a technical service specialist will provide advanced support. The original receipt is required for all warranty inquiries and support.

Warranty Card

Register online or send by mail.

<http://www.cozziausa.com/support>

PRODUCT SERIAL NO. _____

DATE PURCHASED _____ MODEL NO. _____ CO-3000 _____

PRODUCT COLOR _____

FIRST NAME _____ LAST NAME _____

ADDRESS _____

CITY _____ STATE _____ ZIP _____

PHONE _____

EMAIL _____

Please attach a copy of your receipt and mail/email to:

Cozzia USA LLC ATTN: Warranty Department 861 S. OAK PARK ROAD, COVINA, CA 91724

TEL: 1-877-977-0656 Fax: 1-800-521-4716 service@cozziausa.com