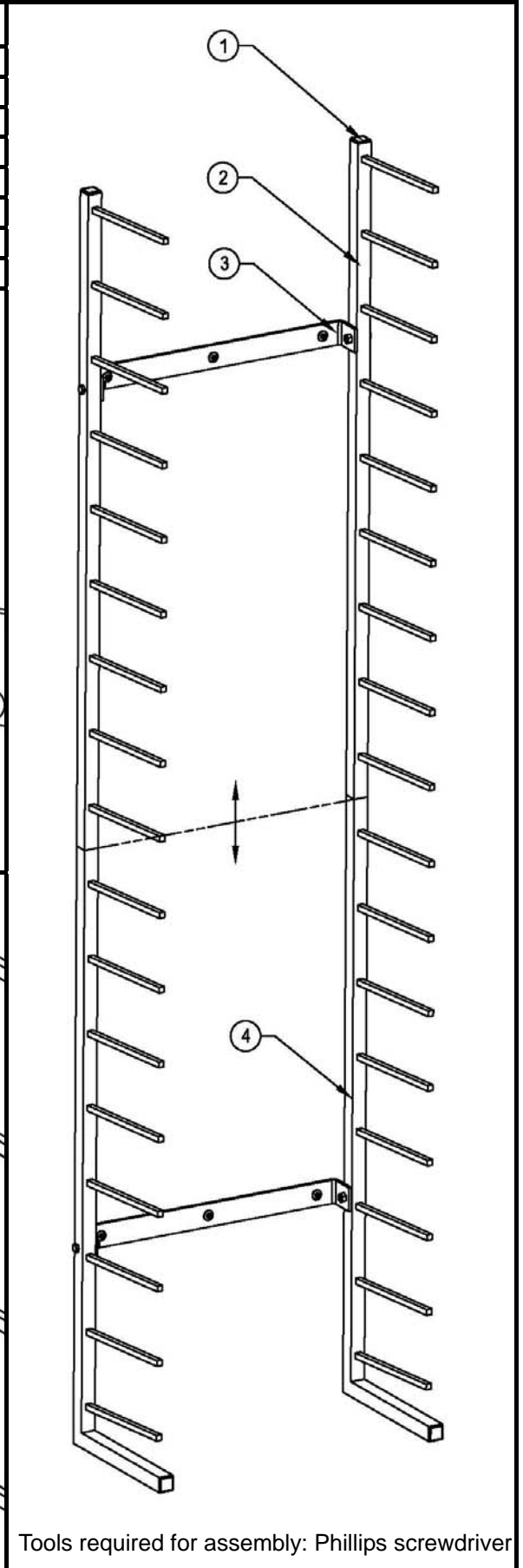
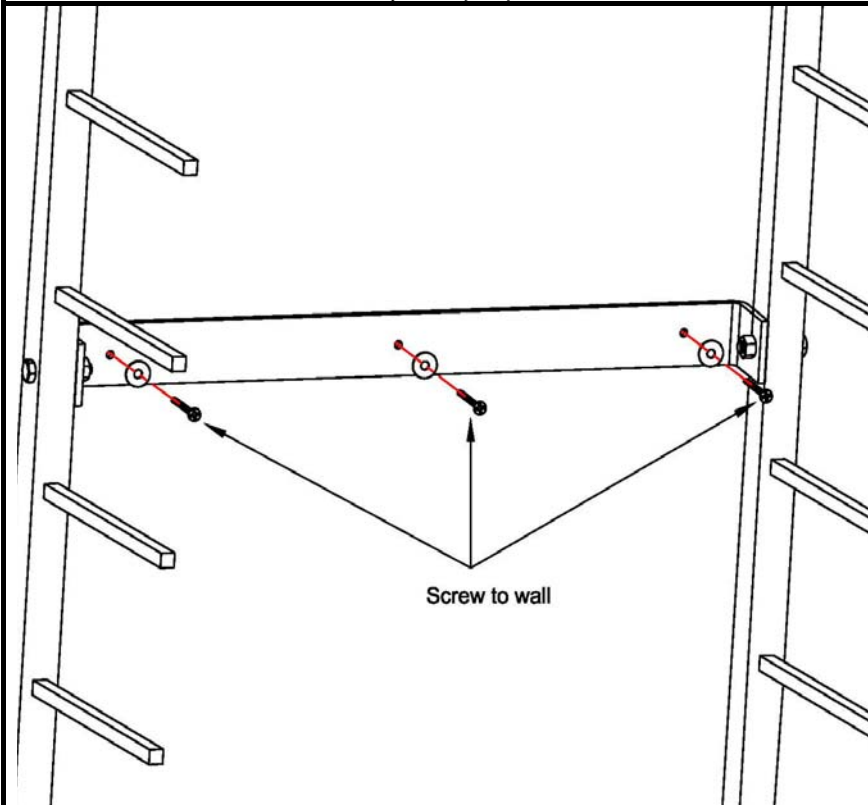
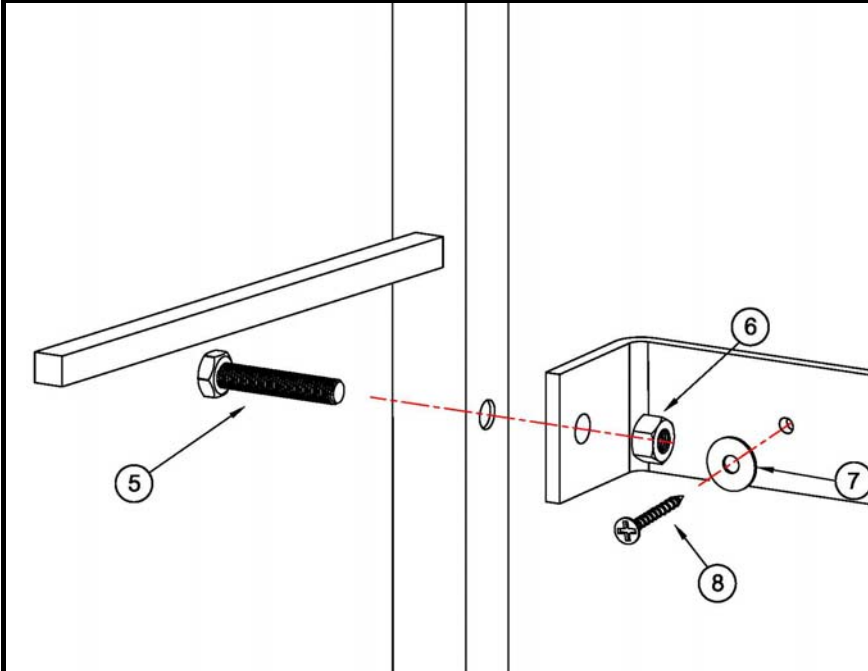


Vis-i-Rack VR864/VR165

High Capacity Roll Storage Rack

Installation Instructions

Part#	Description	Qty
1	End Cap	4
2	Upper tube rails with rungs	2
3	Wall Braces	2
4	Lower tube rails with feet and rungs	2
5	Bolt	4
6	Hex Nuts	4
7	Flat Washers	6
8	Long Drywall Screw	6

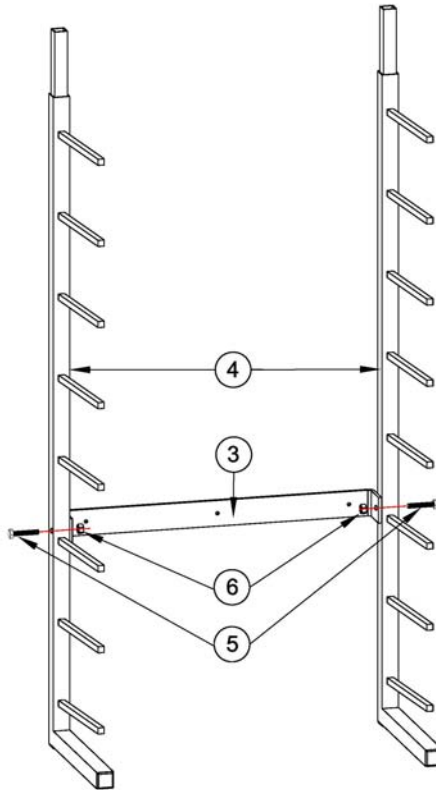
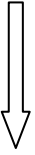


Vis-i-Rack VR864/VR165

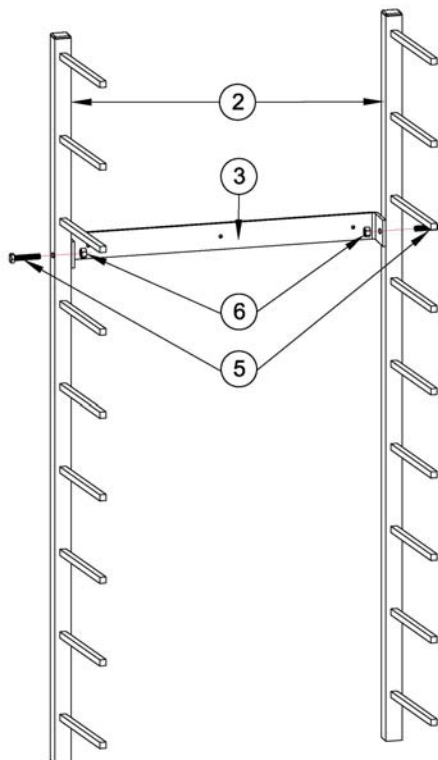
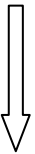
High Capacity Roll Storage Rack

Installation Instructions

- 1) Attach wall braces (part 3) to lower tube rails (part 4) using bolts (part 5) with hex nuts (part 6).



- 2) Attach wall brace (part 3) to upper tube rails (part 2) using bolts (part 5) with hex nuts (part 6).

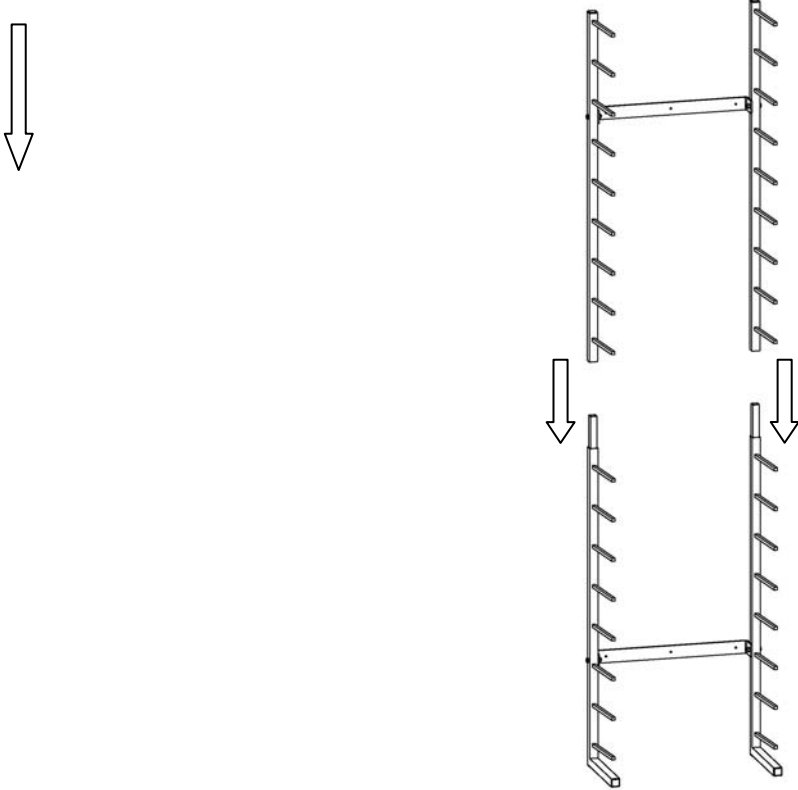


Vis-i-Rack VR864/VR165

High Capacity Roll Storage Rack

Installation Instructions

- 3) Slide upper tube rails into lower tube rails with feet.



- 4) Locate wall studs and attach rack to wall using six (part 8) screws. If you cannot locate wall studs we suggest you attach the rack to a solid wall surface. If you cannot locate the studs or are unable to attach to a solid wall surface, we suggest that you have the rack installed by a professional using hollow wall anchors.

