

PRINT CLAMPS

Print Clamp Instructions

PC618

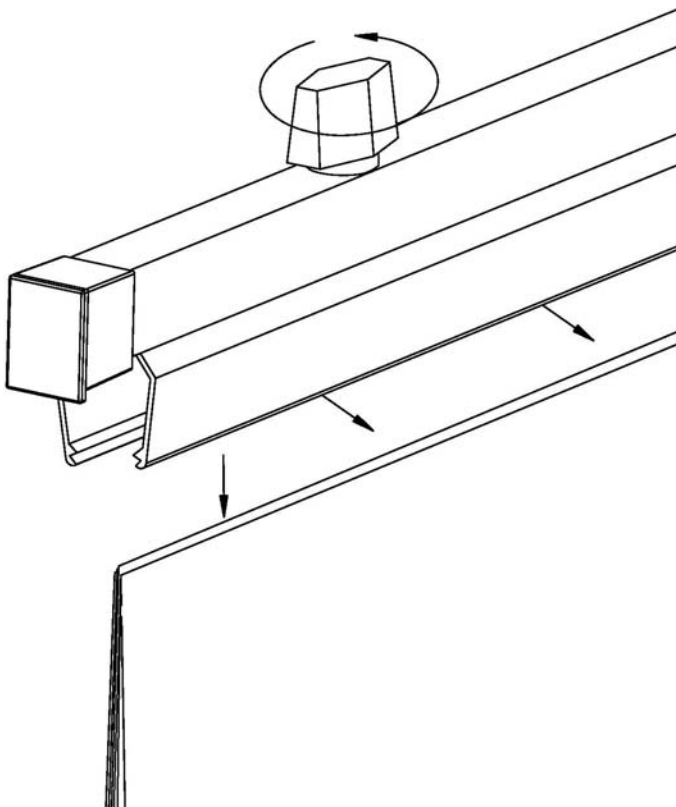
PC624

PC630

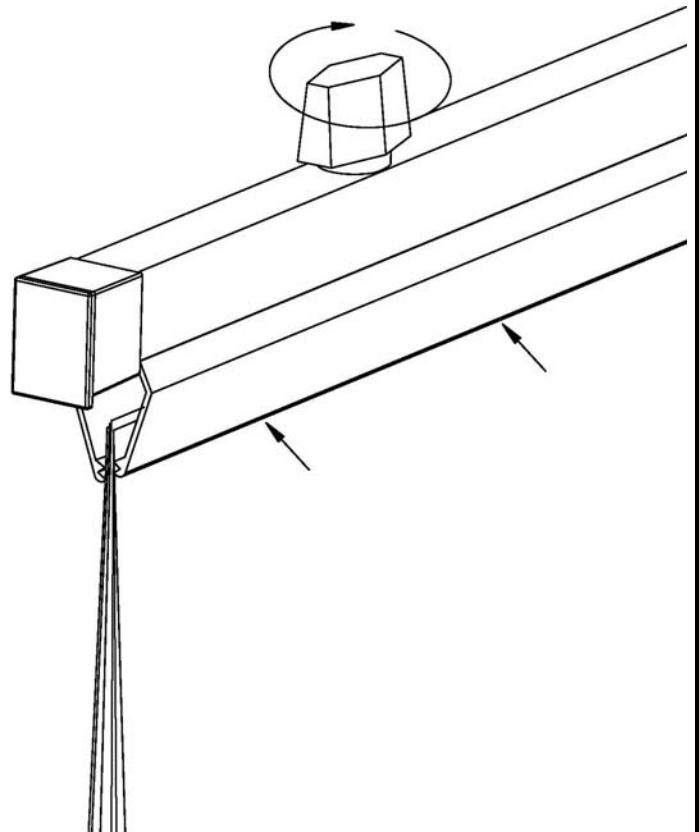
PC636

PC642

A



B

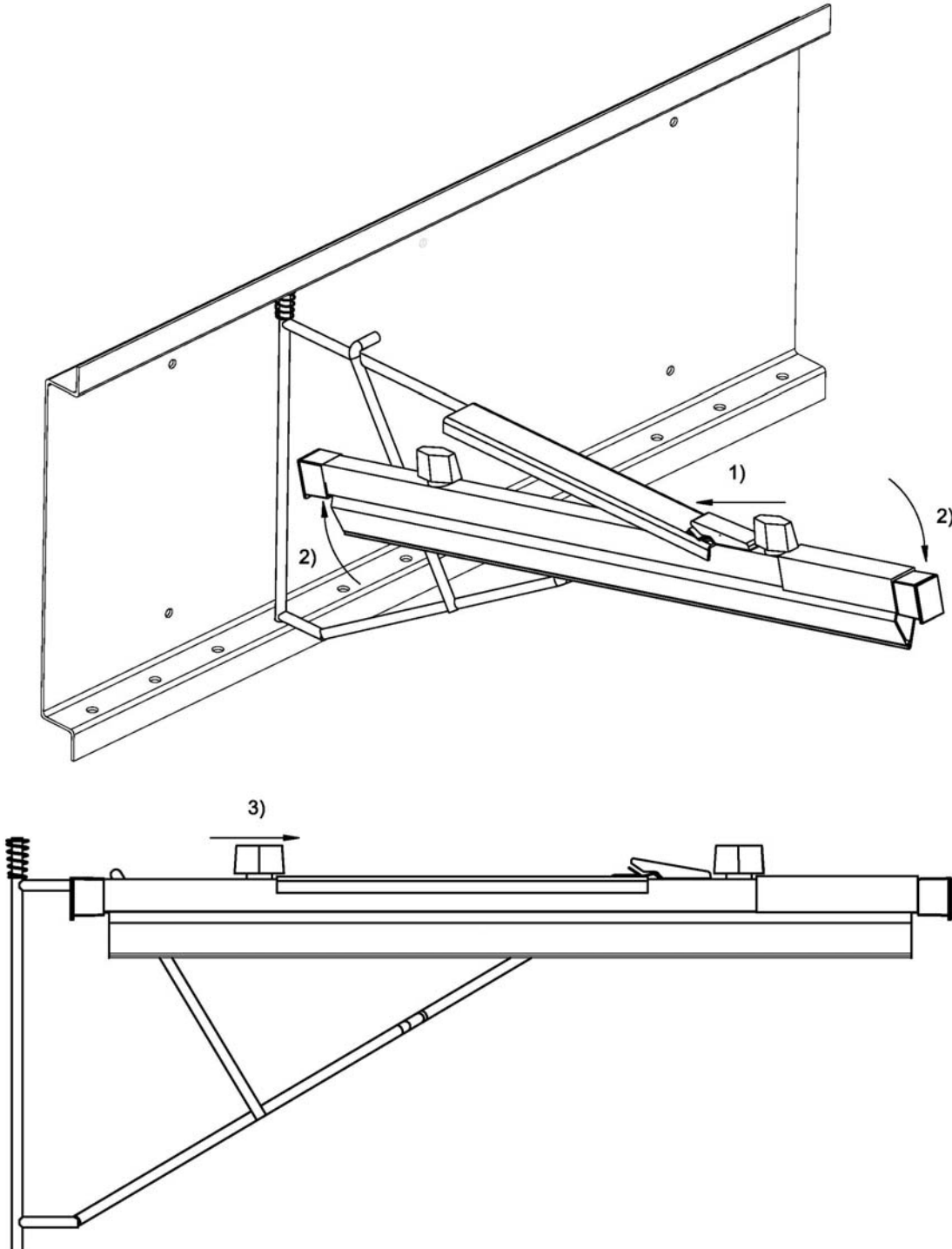


- 1) Loosen wing knobs on top of clamp turning counter clockwise. Pull jaws out from "U" channel and the clamp will open.
- 2) Insert files into clamp jaw and hand tighten wing knobs until the files are secure. Print clamp shown is a cut-away diagram to show the internal mechanism.

PRINT CLAMPS

Installation Instructions

C



How to attach a clamp to a pivot bracket?

- 1) Make certain that the pivot bracket is installed properly on the rack with the spring on top.
- 2) Insert clamp clip (on top of clamp) as shown at an angle and push forward and then down to horizontal
- 3) Once completely inserted on the hanger, gently pull the hanger away from the rack until the rear knob on the clamp pulls over the mounting plate.