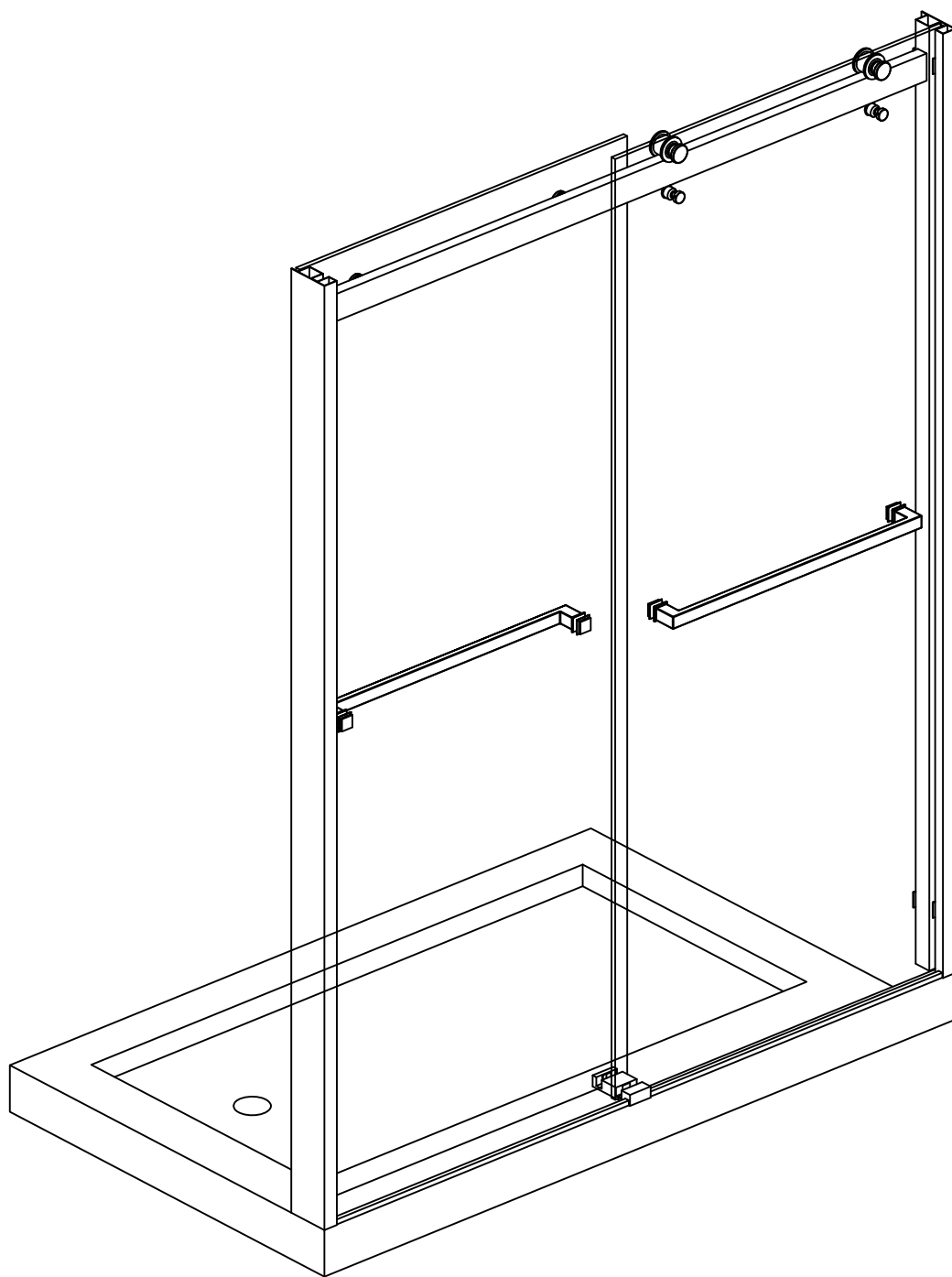


Durin

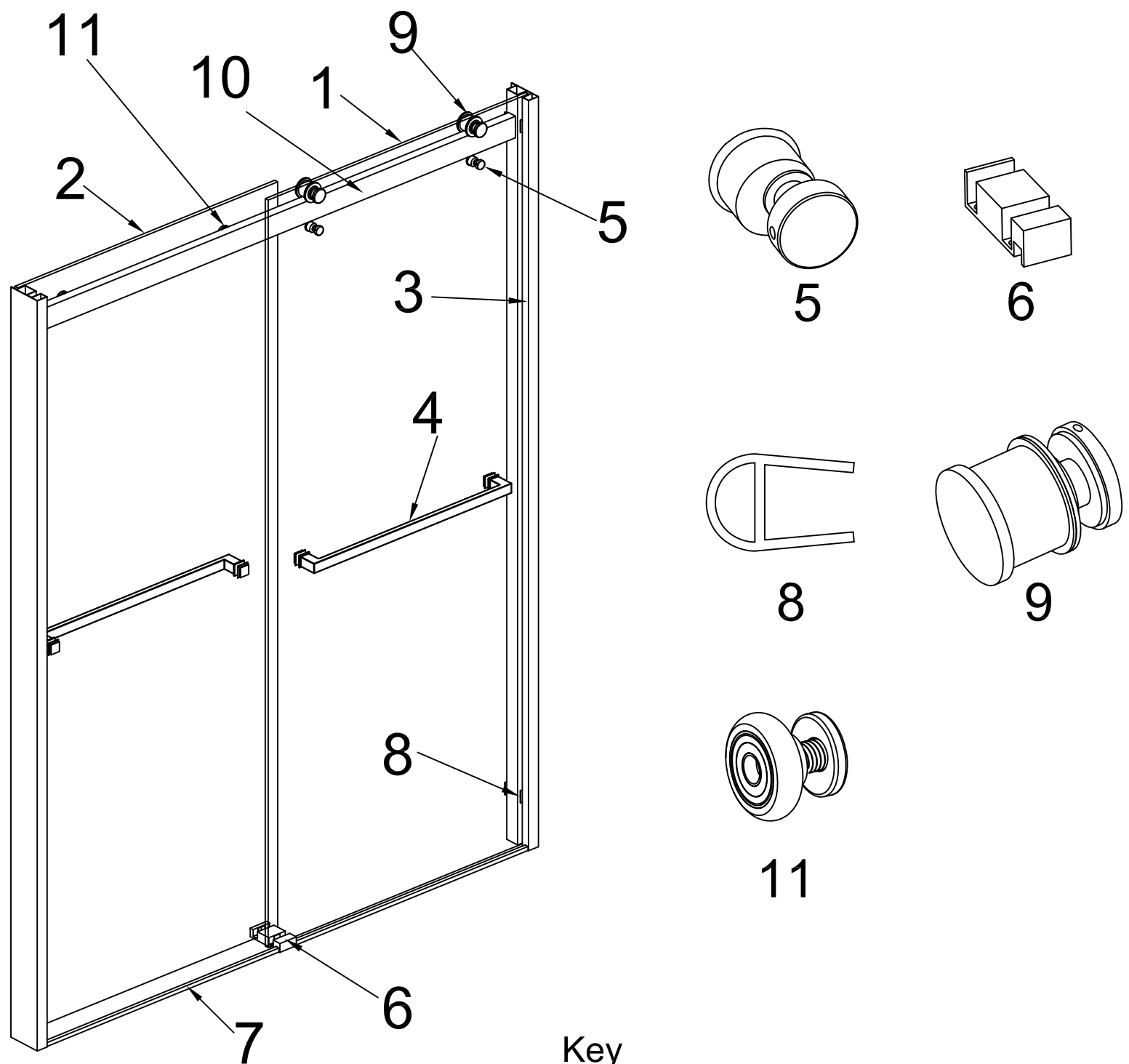
INSTALLATION AND OWNER'S MANUAL



Shower Door with Tray Model Number: LABERGE TU-SD-977-60-(C/B)
TU-SB-977-60-32-L

Please carefully read these instructions before you begin to install the products.


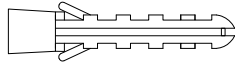


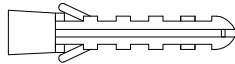
Detailed Diagram of Shower Door Components



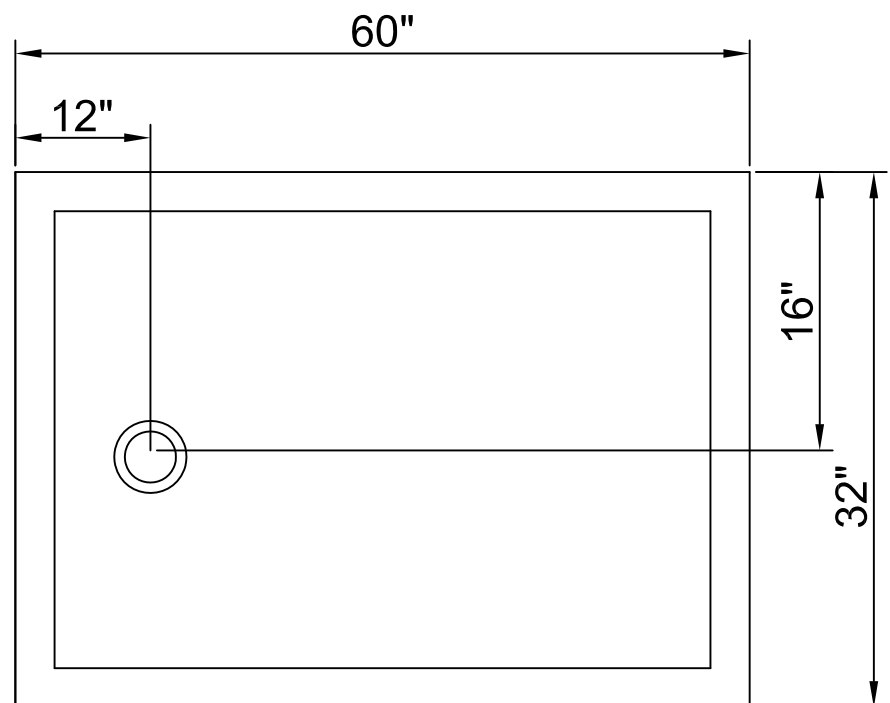
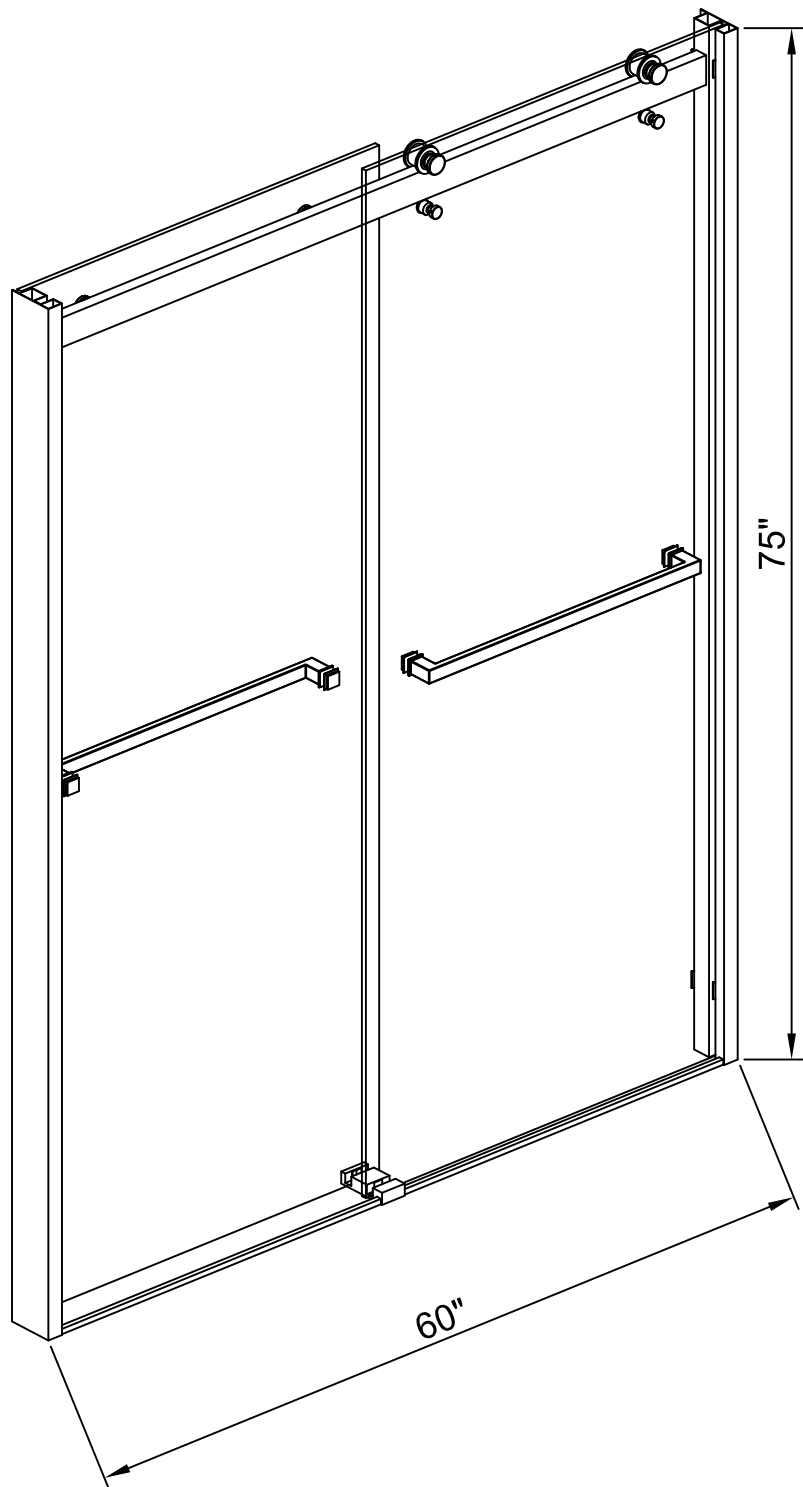
Key Number	Description	QTY	Key Number	Description	QTY
1	Exterior Door Panel	1	9	Exterior Wheel	2
2	Interior Door Panel	1	10	Top Rail	1
3	Wall channel	2	11	Interior Wheel	2
4	Door Handle	2			
5	Bottom Roller Guide Assembly	2			
6	Sliding Door Track Divider	1			
7	Door Threshold	1			
8	Door Seal	4			

PLEASE NOTE: During unpacking carefully inspect all parts and use the exploded view drawing to identify all parts in the parts listing. Before discarding the packaging check for any parts or small hardware bags that may have been overlooked.

SUPPLIED HARDWARE

SCREW PACK (1)	M4x40		8
	Anchor		8
SCREW PACK (2)	M4x25		2
SCREW PACK (3)	M4x40		2
	Anchor		2

SUPPLIED PARTS

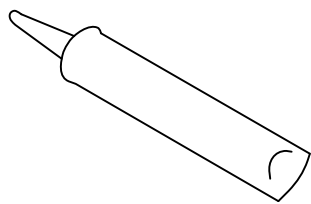


Installation Guide

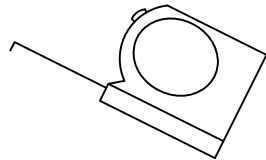
Please read and follow the installation instructions and guidelines in this section. Failure to follow the recommended instructions and installation techniques may lead to possible damage to the unit or the surrounding area. This can affect warranty claims.

ATTENTION: This unit requires assembly. A minimum of two people are required for assembly, as several of the sections can be large and unstable until assembled.

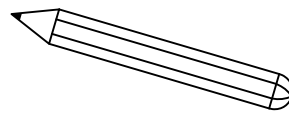
You will need the following tools:



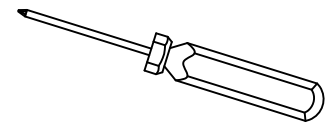
Caulk



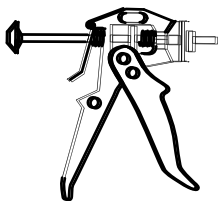
Tape Measure



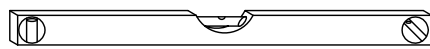
Pencil



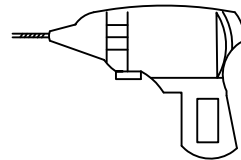
Phillips Screwdriver



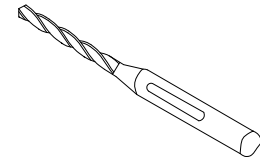
Caulk Gun



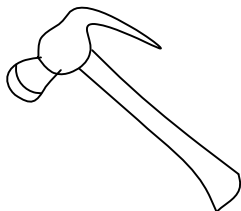
Level



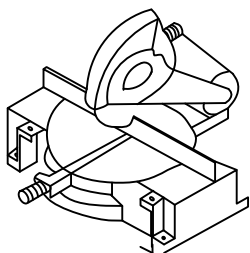
Electric Drill



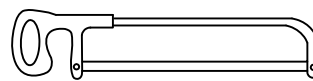
Drill bit (Ø⁵/₁₆")



Hammer



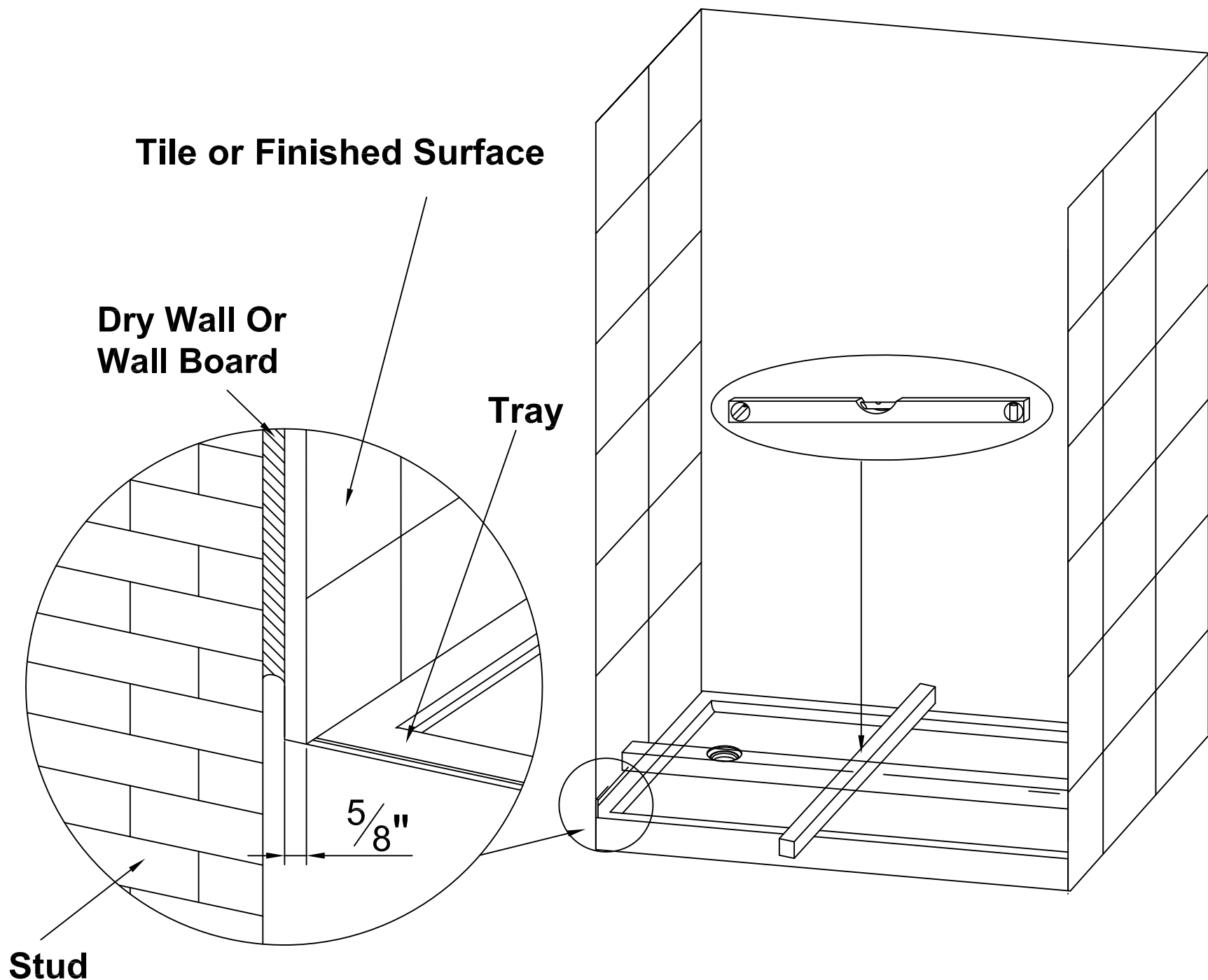
Chop saw or Hacksaw



Razor Knife

Locate the accessory box and remove the individual screw and hardware packages. Lay them out in sequential order to aid in completing the rest of the installation.

Preparation of base for installation of shower tray



WARNING: THE Aston shower door and tray are designed to be used with tile walls. If you are using a pre-made Acrylic/ABS/FRP shower stall that will be thicker than average wall board plus tile then you must consider the offset of the pre-made panel. The shower tray has $\frac{1}{4}$ " of tolerance for over sized wall thickness.

The shower tray needs to sit on a flat level base for proper support. Ensure that the area for the shower tray is properly prepared for installation.

Using the drawing provided, place the floor drain in the proper location so that the shower tray drain and the floor drain are in line after final installation.

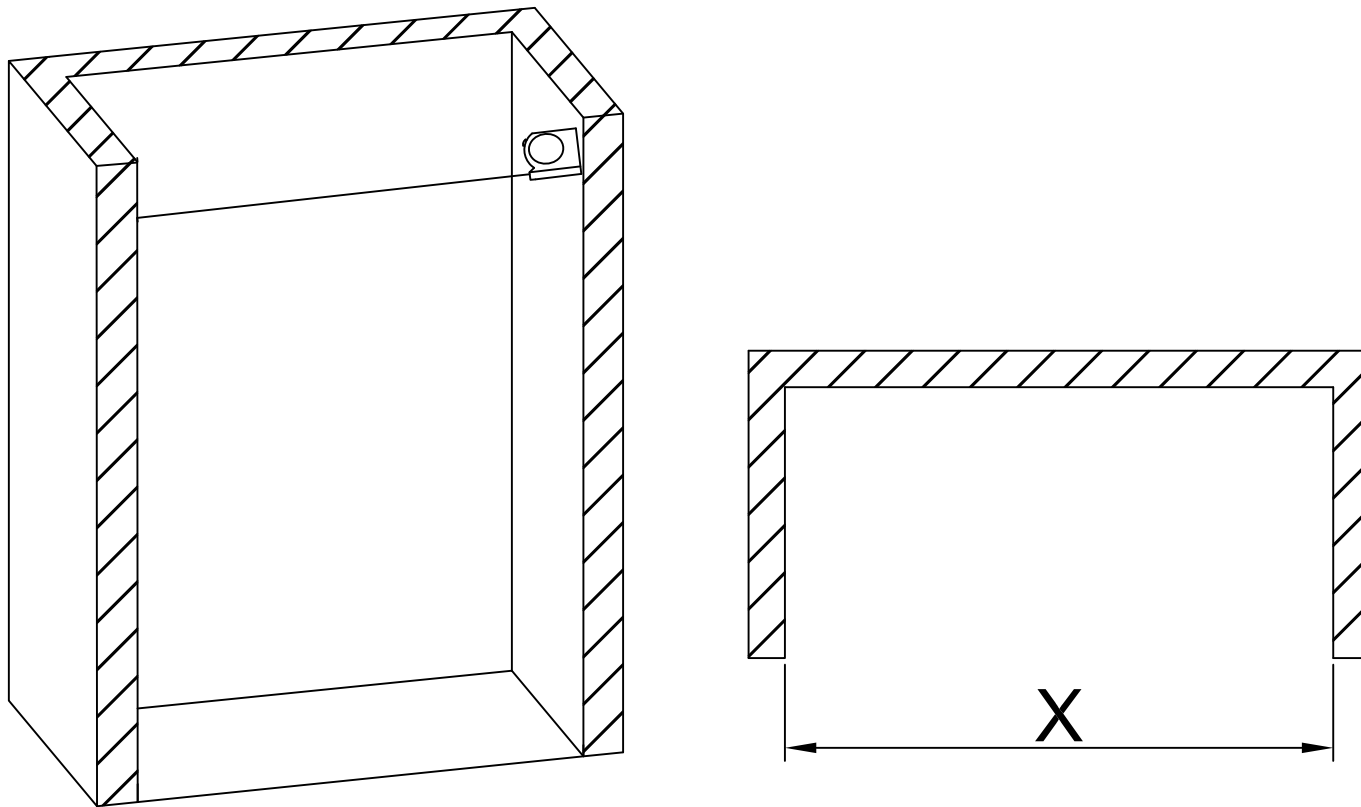
Place the shower tray in the final installation position line up the drain holes and check for level. If not level make adjustments to the floor at this time.

This can be accomplished by leveling the subfloor by use of Shims, Leveling compound or placing the shower tray into a mortar base

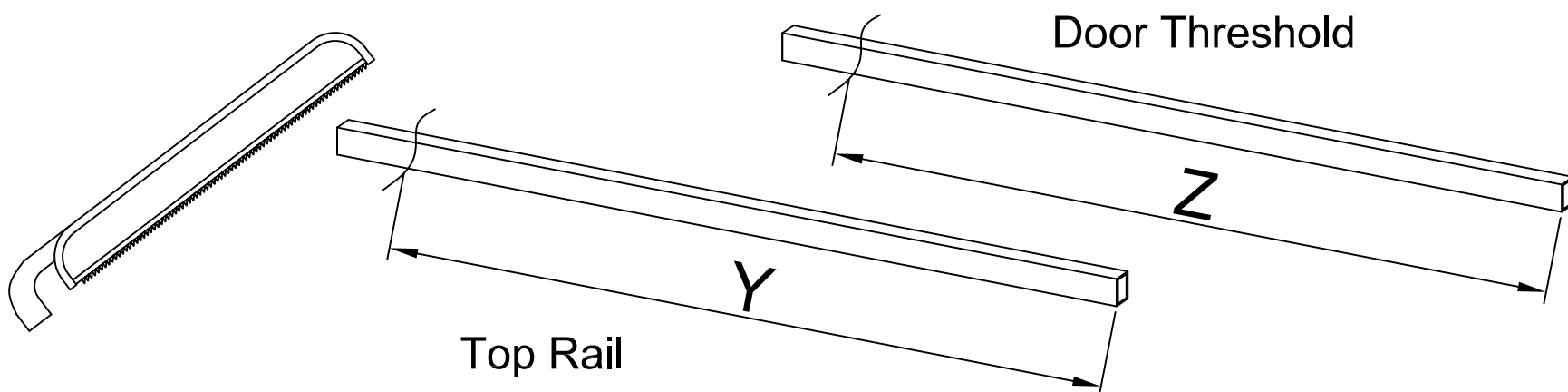
The shower tray must be installed so that the tile lip is against the wall studs. It is recommended that the tray is attached to the studs using screws.

IMPORTANT: If you are using screws to secure the tray to the studs it is recommended that you pilot drill the screw location as to prevent the acrylic tray from chipping or cracking.

Shower Door Installation



1. Install all of the wall material or materials you intend to use before measuring the width of the opening. This includes all moisture resistant wall board, rock board, tile, stone or other wall covering.
2. Measure the width of the shower opening at the top between the 2 walls. Note this is dimension "X".



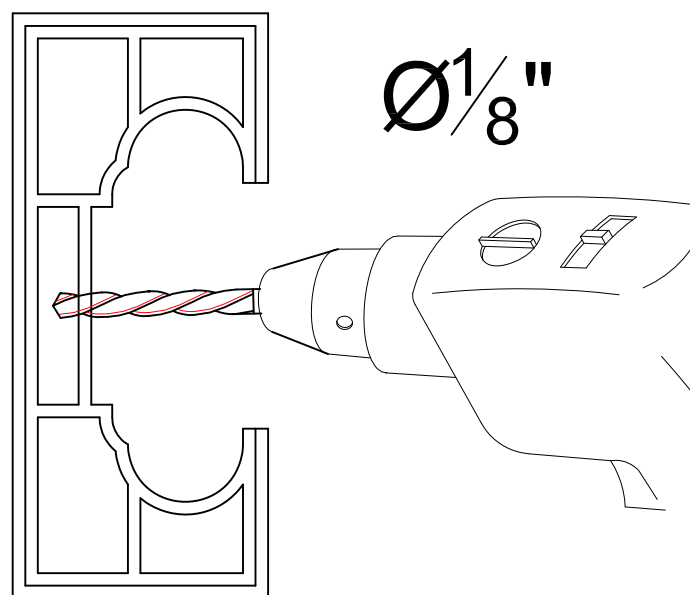
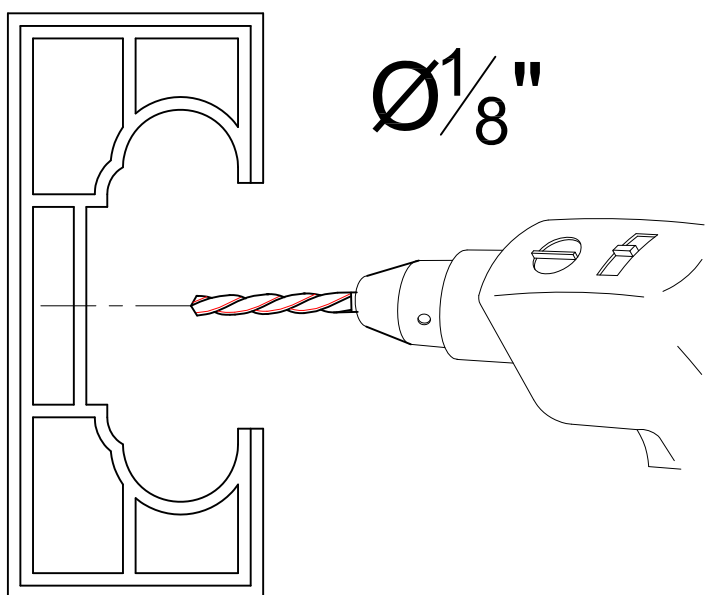
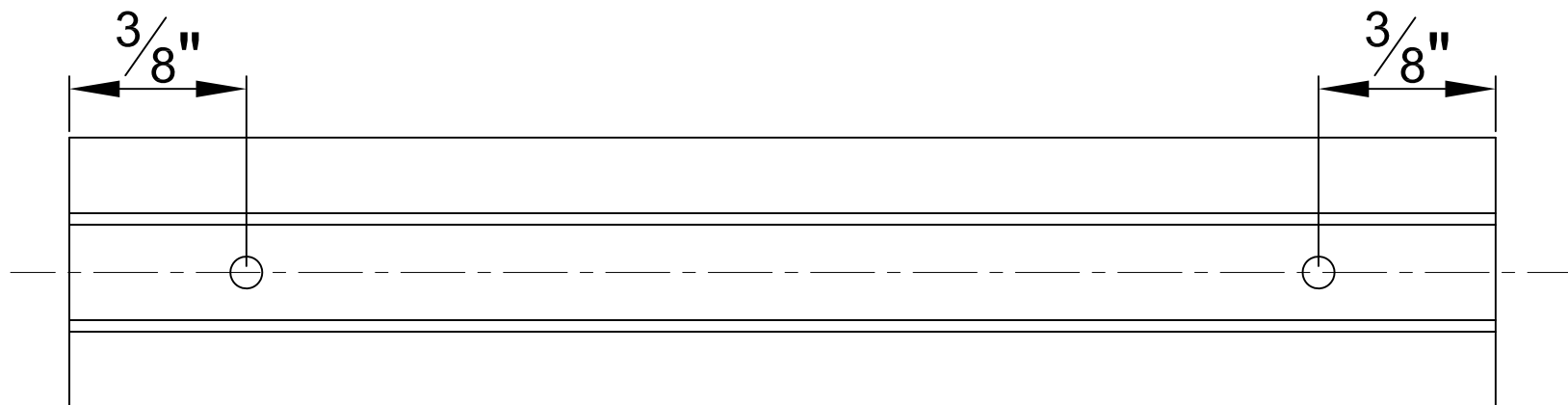
The following equation is used to determine the length to be cut from the rail in order to fit the shower opening.

$$\text{Top Rail: } Y = X - \frac{3}{8}''$$

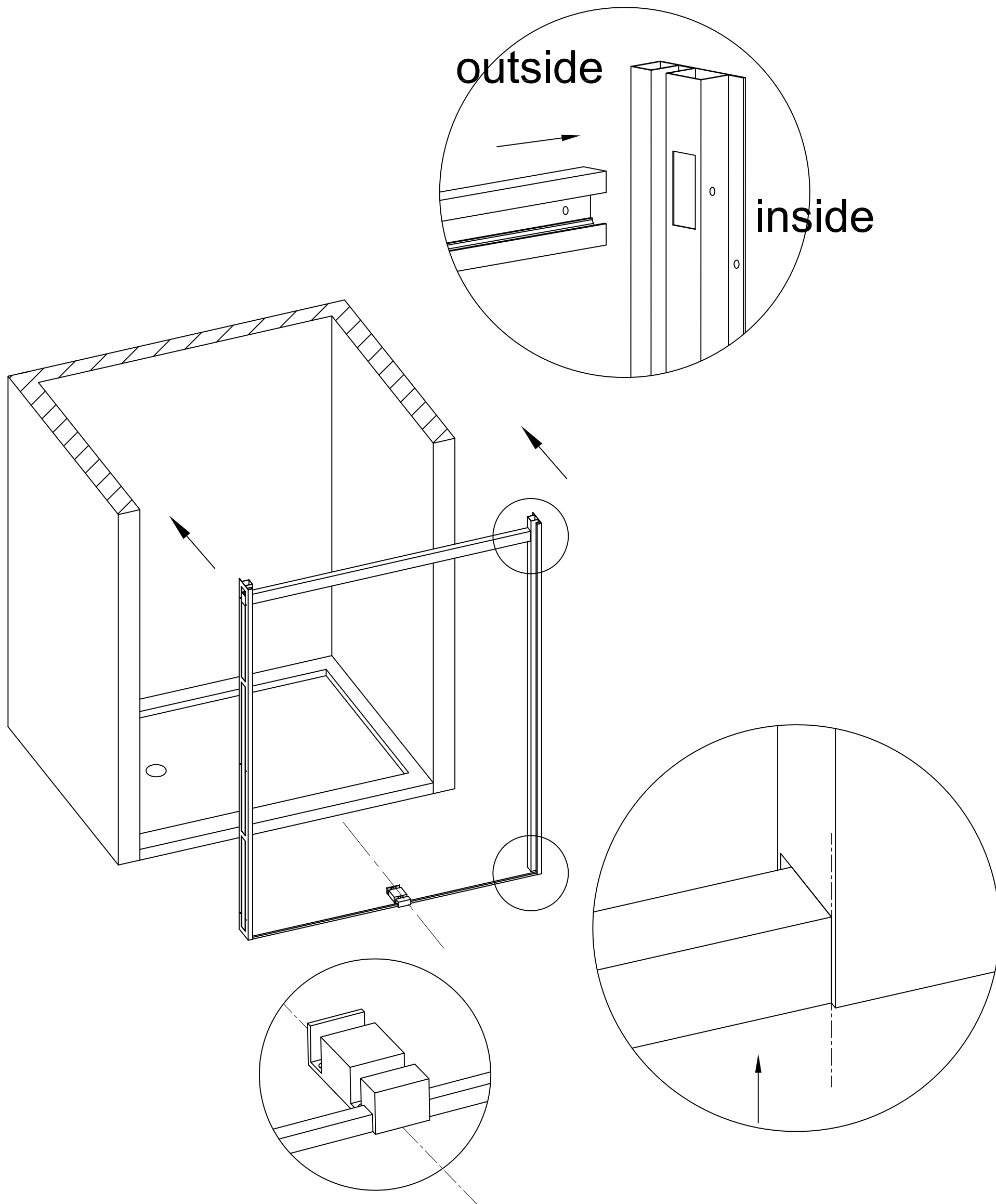
$$\text{Door Threshold : } Z = X - \frac{3}{8}''$$

3. Using a Chop saw or Hacksaw cut the Top Rail (10) and Door Threshold(7) at the marked dimension. Carefully remove any burrs or sharp edges remaining on Top Rail (10) and Door Threshold(7) after the cutting.

Top Rail



Use $\frac{1}{8}$ " drill tool drill the hole on the Top Rail .

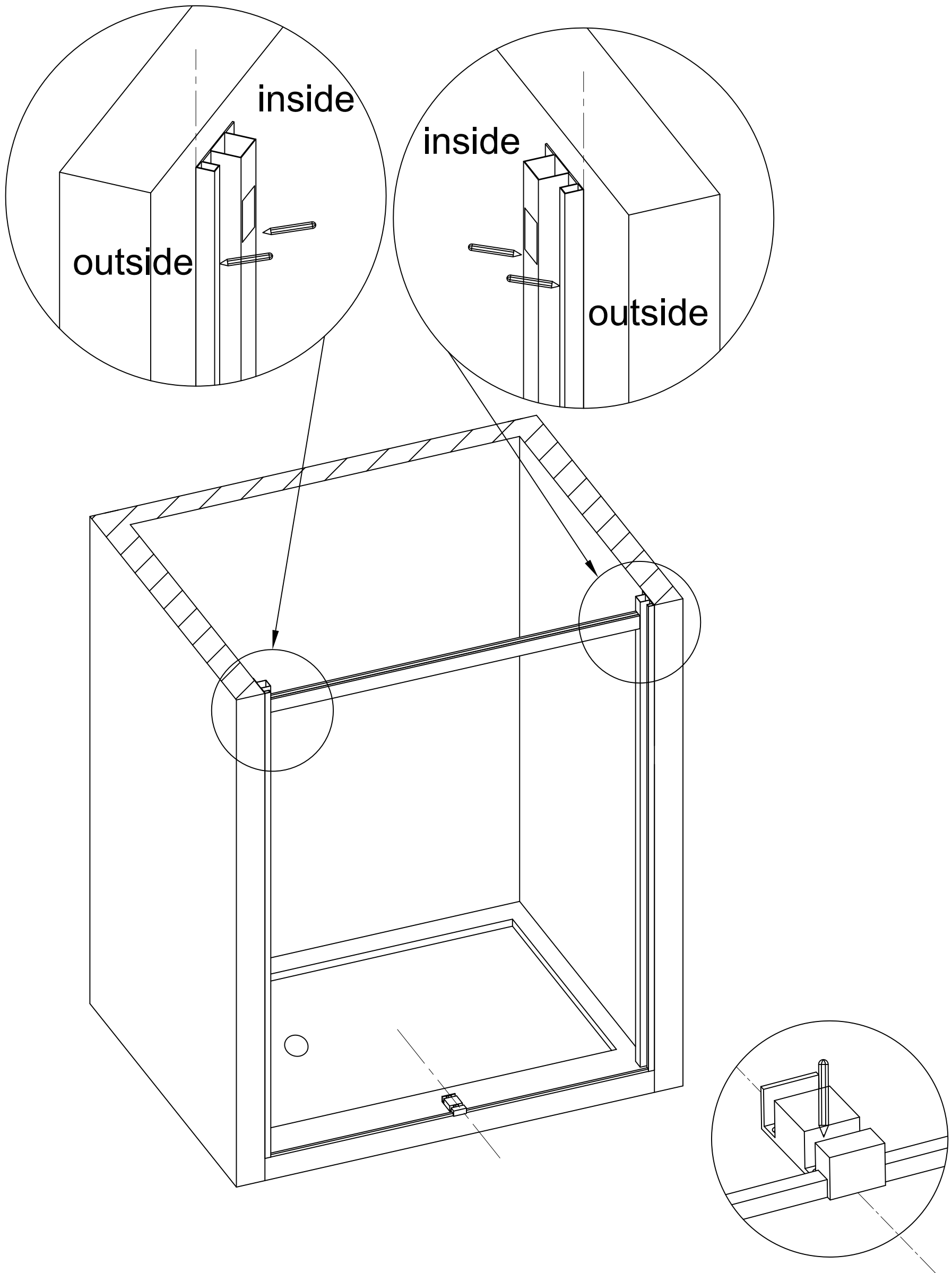


Put the top rail into wall channel,notice the direction of wall channel and top rail. See attached picture.

Put the Door Threshold into wall channel.

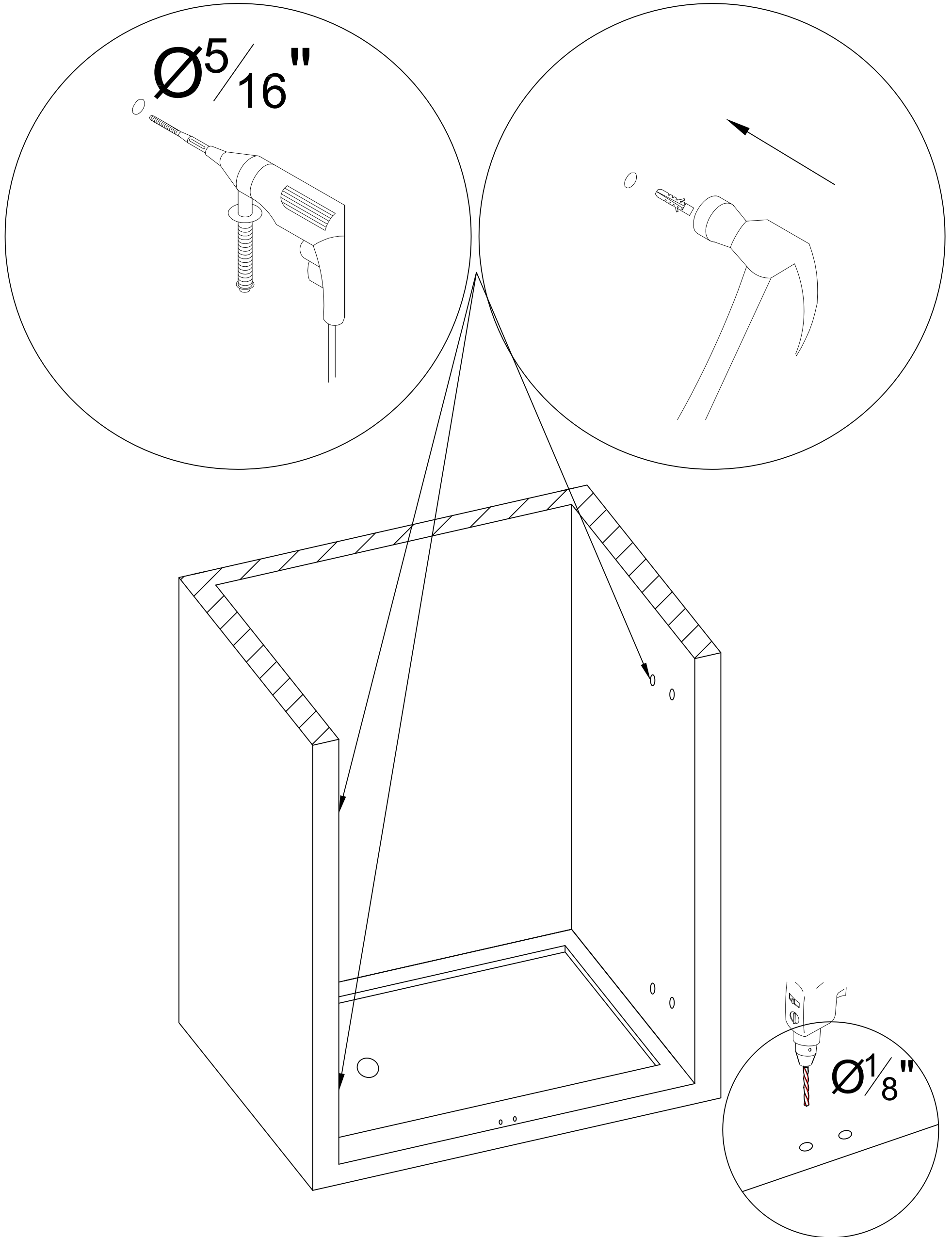
Put the door divider (6) into Door Threshold.

Then put the combination on the tray.



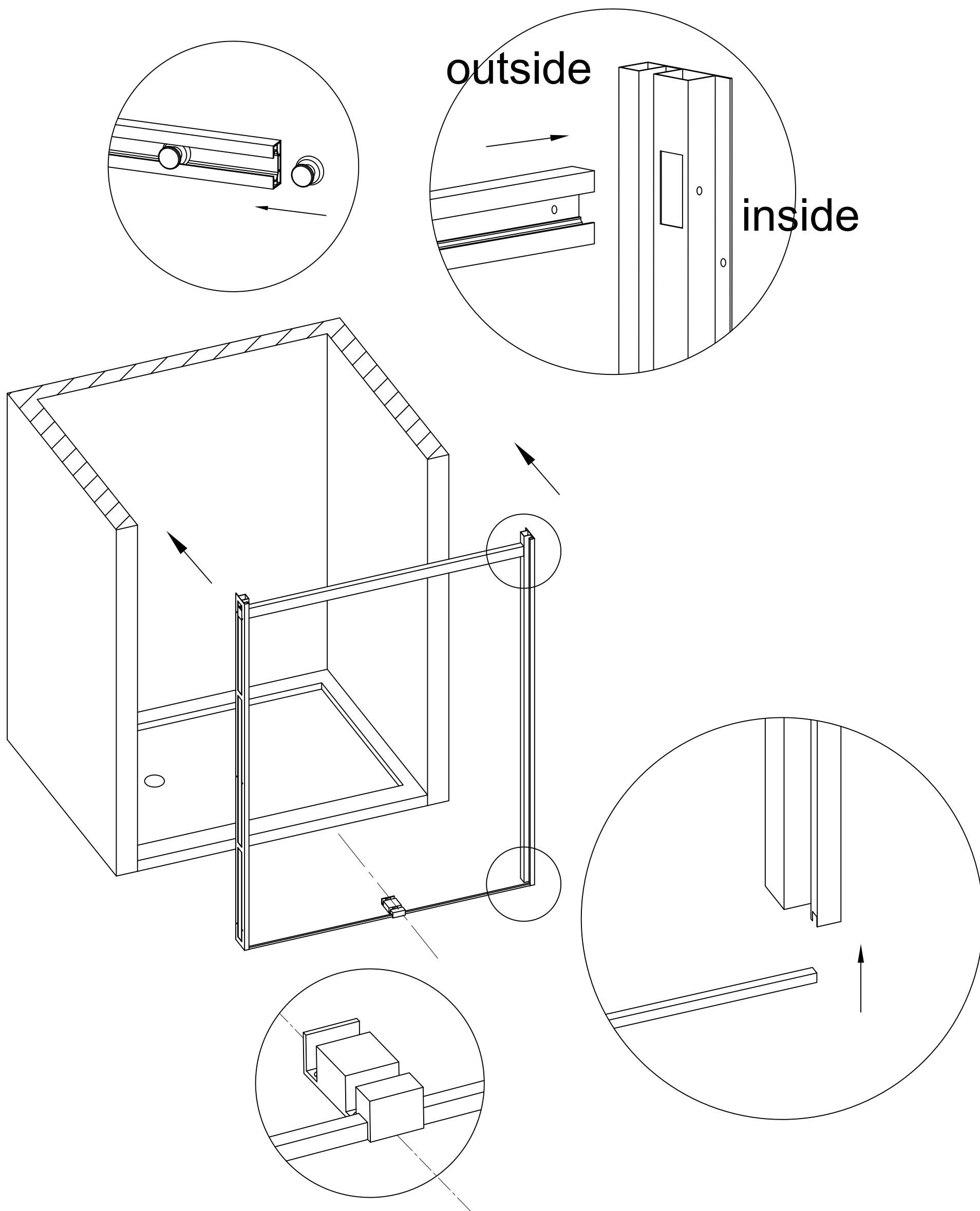
Position the track door divider (6) with door threshold (7) in place on shower threshold using the center line markings as a guide and mark the hole locations for track door divider (6).

Align the wall channel with the wall line, mark the position on the wall channel. After making the position, take away the wall channel.



Use $\frac{5}{16}$ " drill tool drill the hole on the wall, insert expansion tube.

Using a $\frac{1}{8}$ " drill bit, drill the hole locations on the tray.



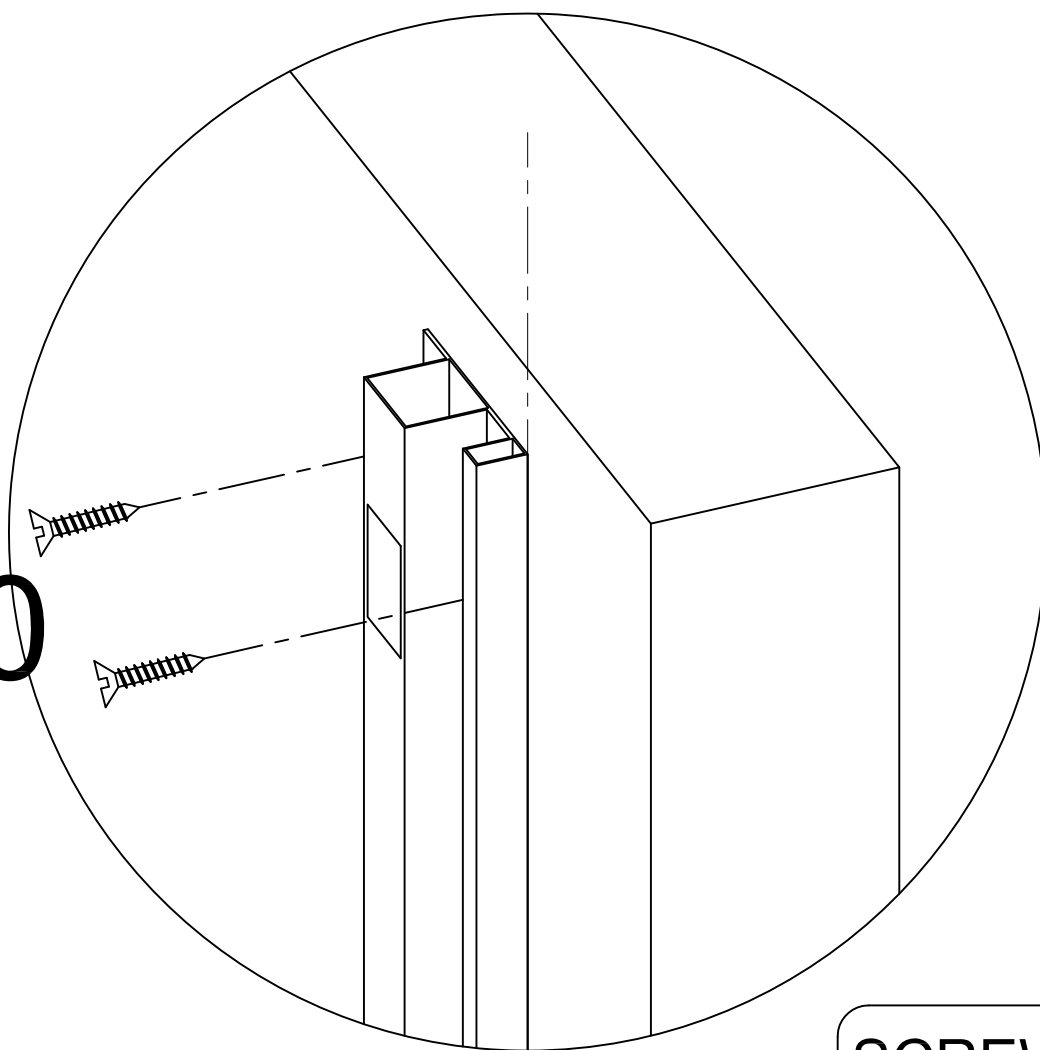
Slide the Interior roller wheels (12) into Top rail (10).Then put the top rail into wall channel,notice the direction of wall channel and top rail. See attached picture.

Put the Door Threshold into wall channel.

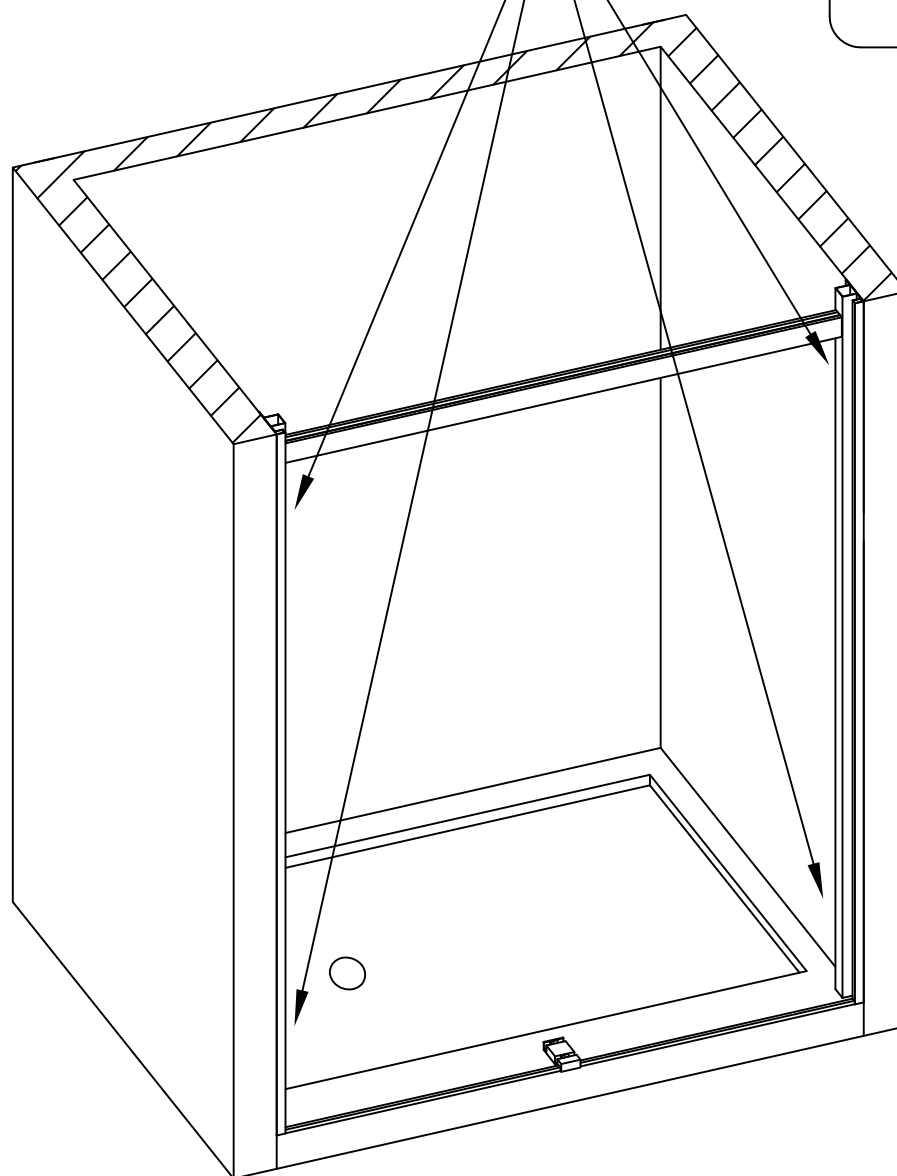
Put the door divider (6) into Door Threshold.

Then put the combination on the tray.

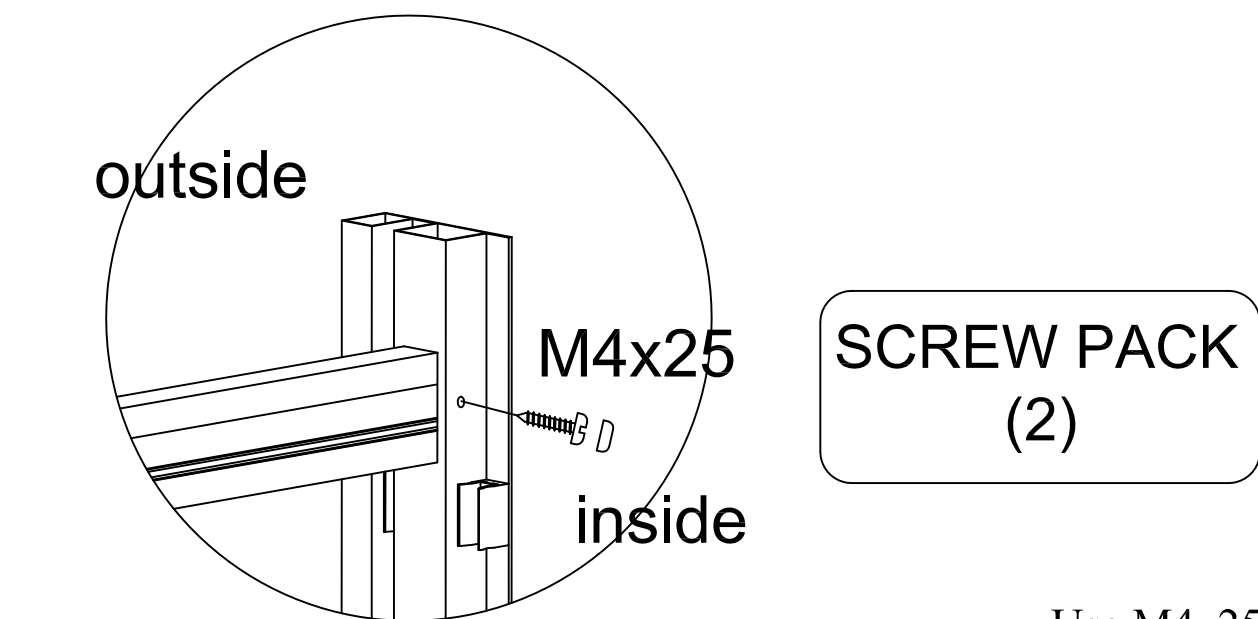
M4x40



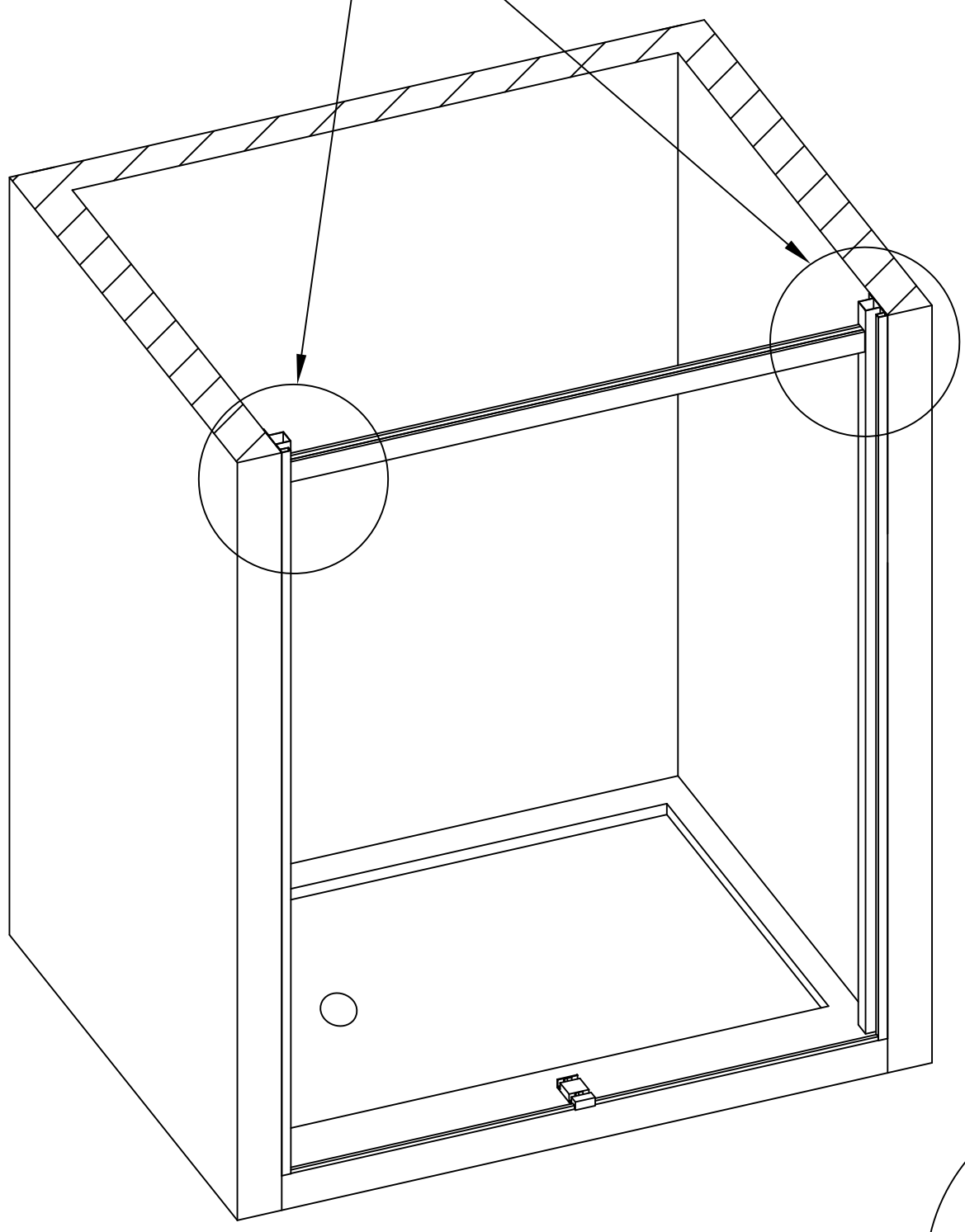
**SCREW PACK
(1)**



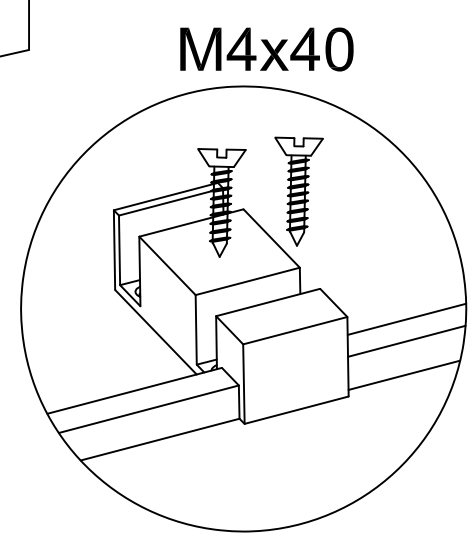
Using M4x40 screws attach the wall channel to shower wall.



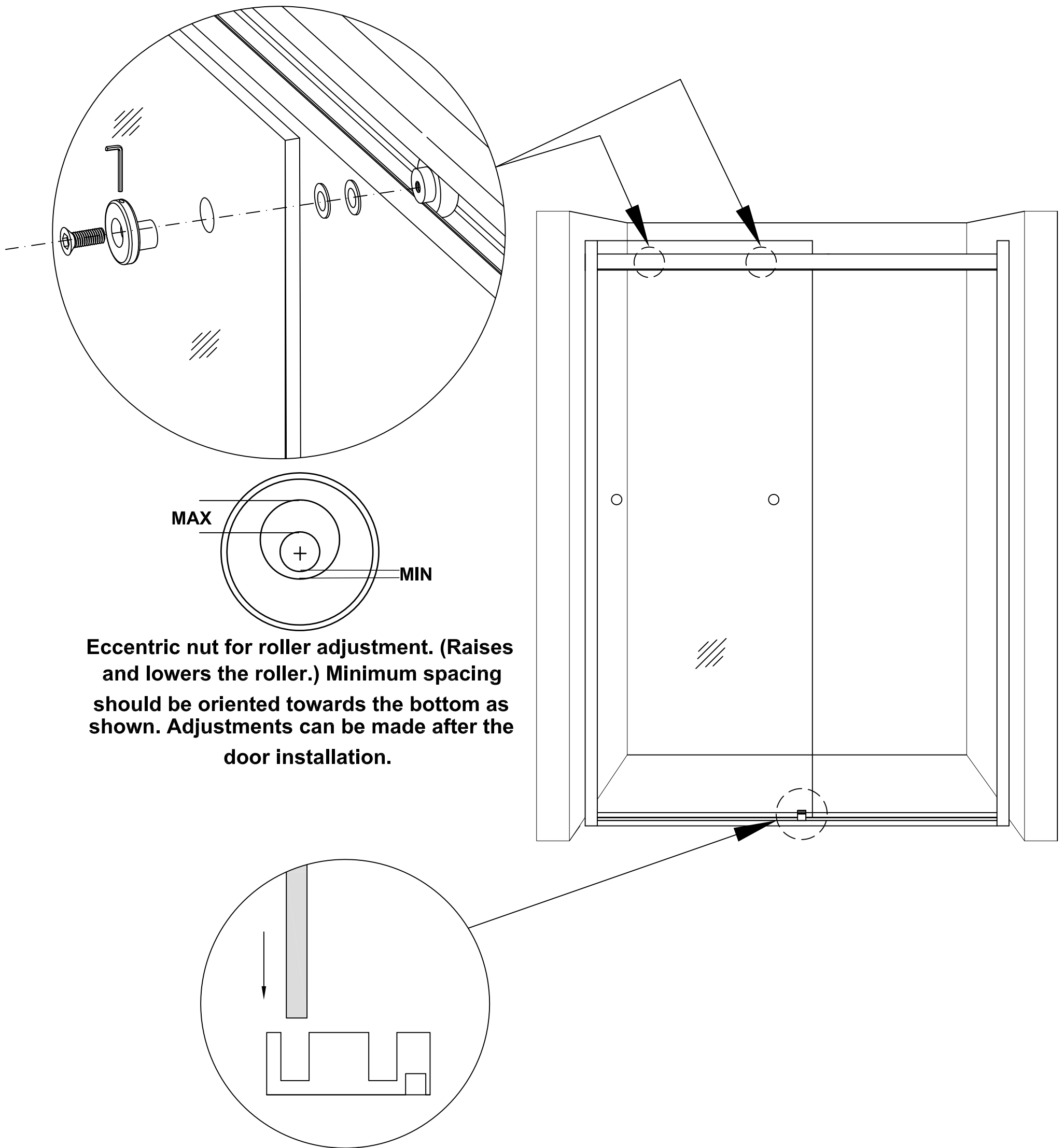
Use M4x25 screw fix the top rail and wall channel, then cover with decoration cover.



SCREW PACK
(3)



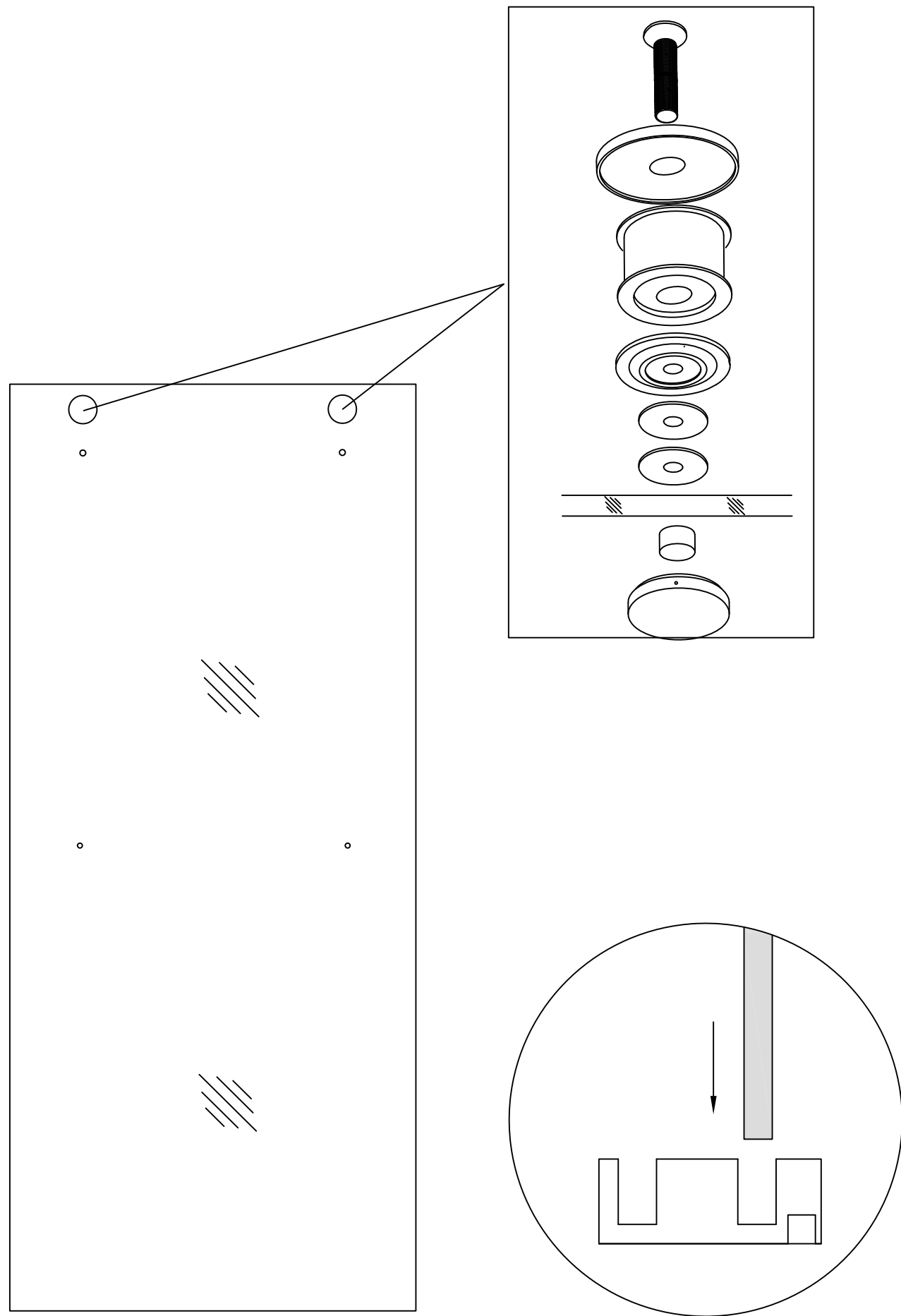
Attach Track door divider to shower threshold using M4x40 screws.



Eccentric nut for roller adjustment. (Raises and lowers the roller.) Minimum spacing should be oriented towards the bottom as shown. Adjustments can be made after the door installation.

From the interior of shower area, position the Door panel (2) into Track door divider (6). Next align Interior roller wheels in Top rail with mounting holes in Door panel (2) and attach Door panel (2) to Interior roller wheels(12).

Exterior Door Assembly



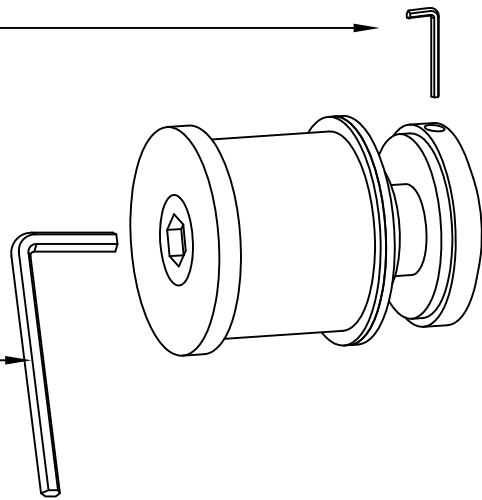
Install Exterior roller wheels (9) to Exterior door (1) as seen in figure 1.

Hanging the Door

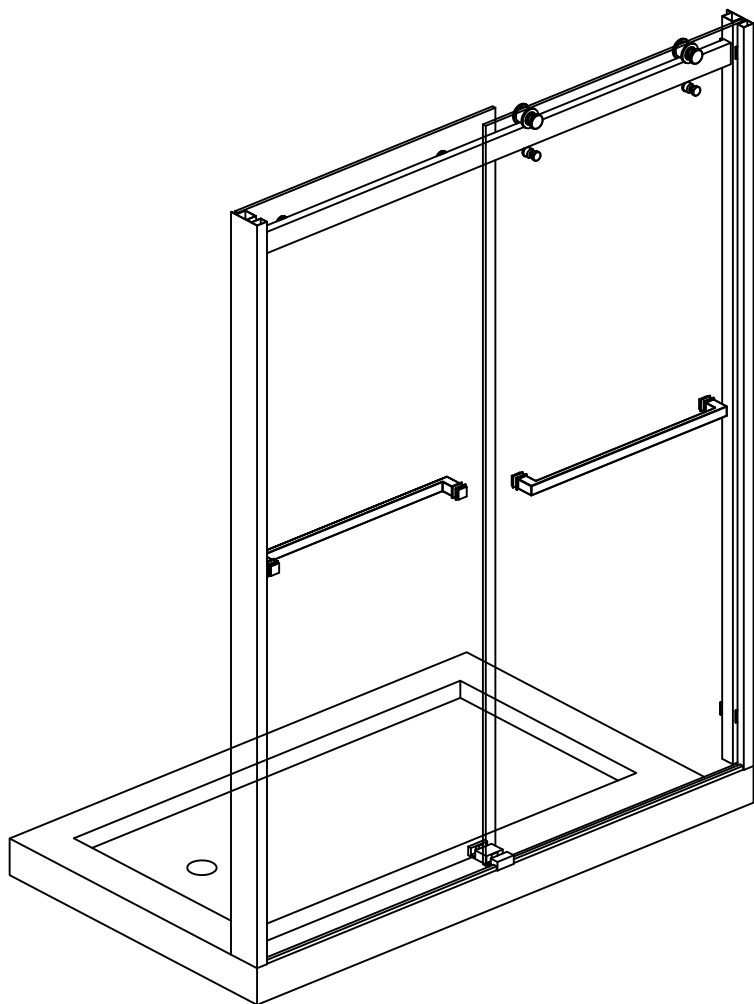
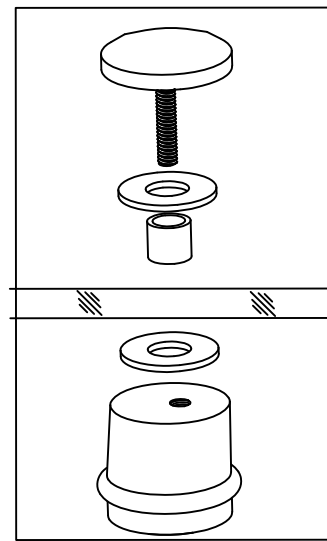
Exterlor Wheel **CAM** **ADJUSTMENT**

Rotate the outer edge of roller assembly using the small hex,

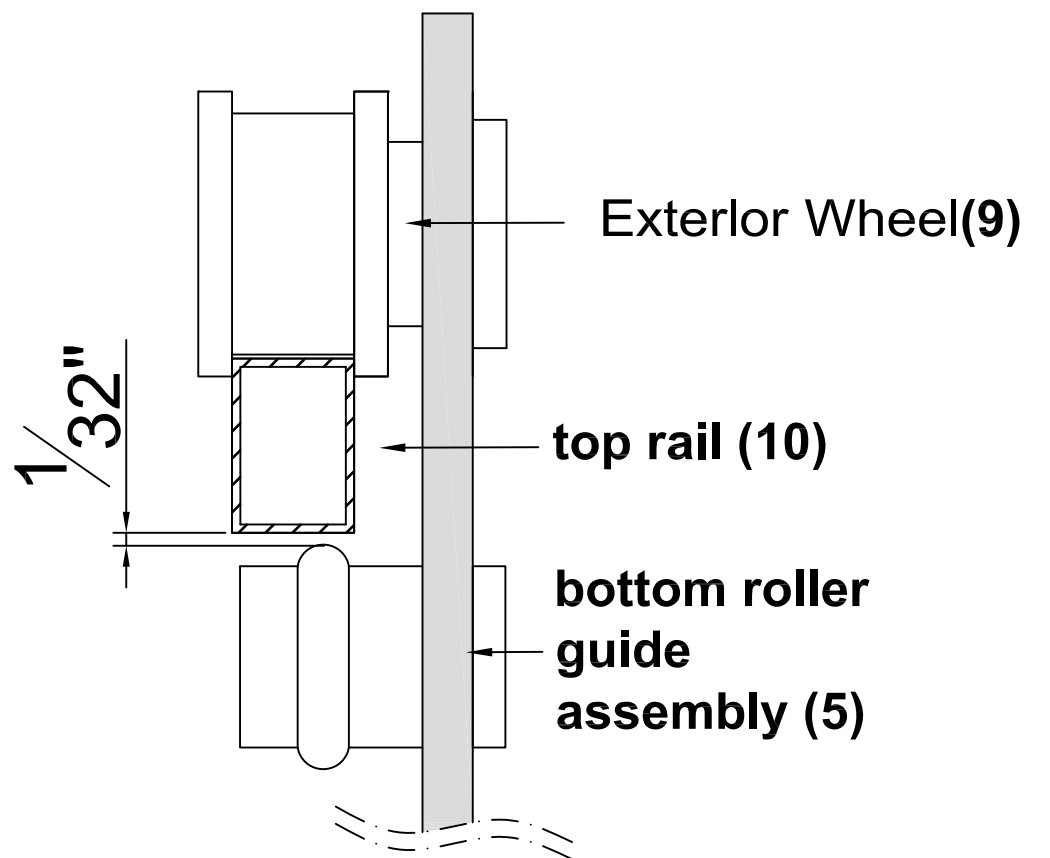
while holding the large hex wrench in place.



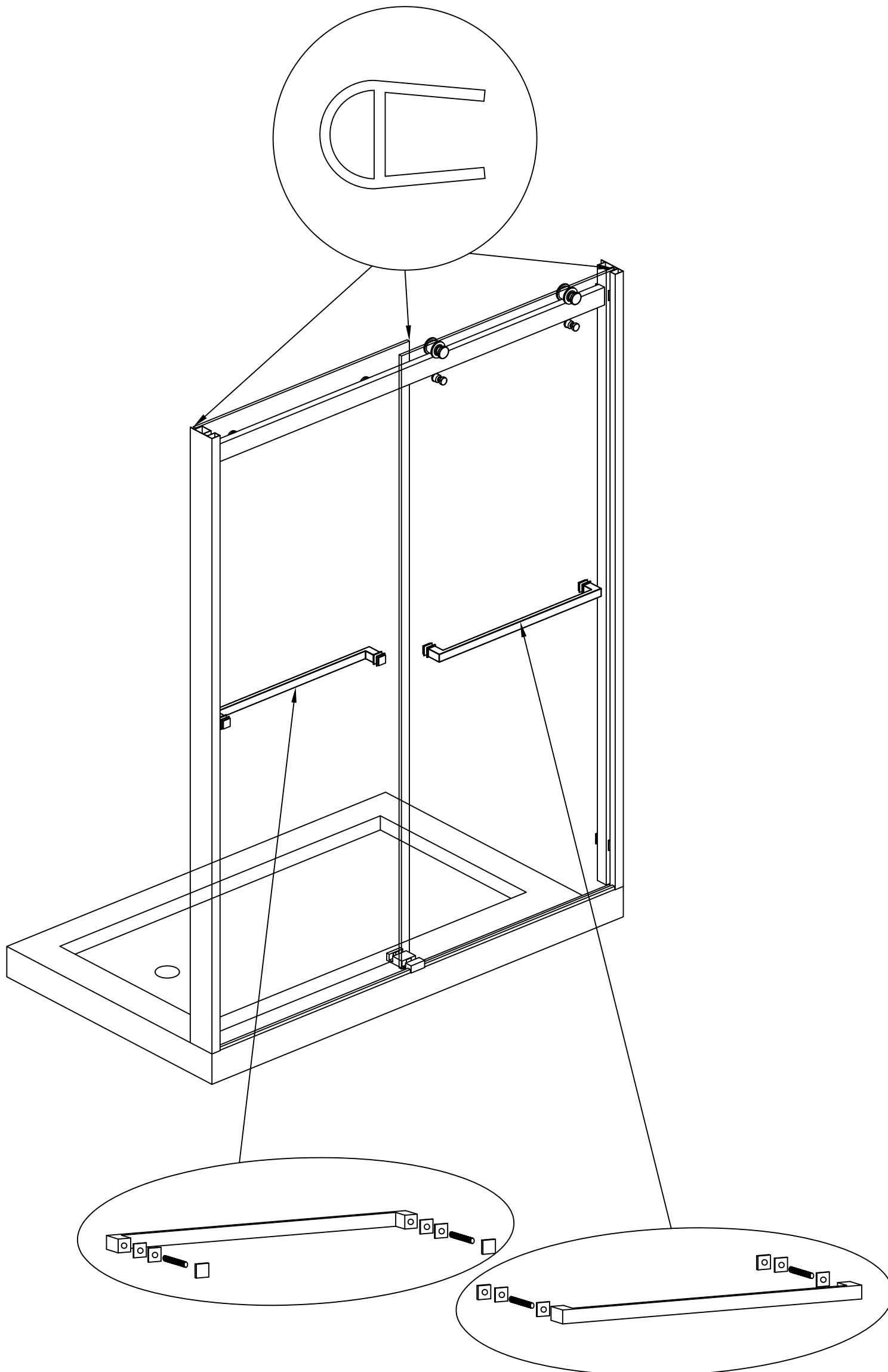
Bottom Roller Guide Assemblies



End View

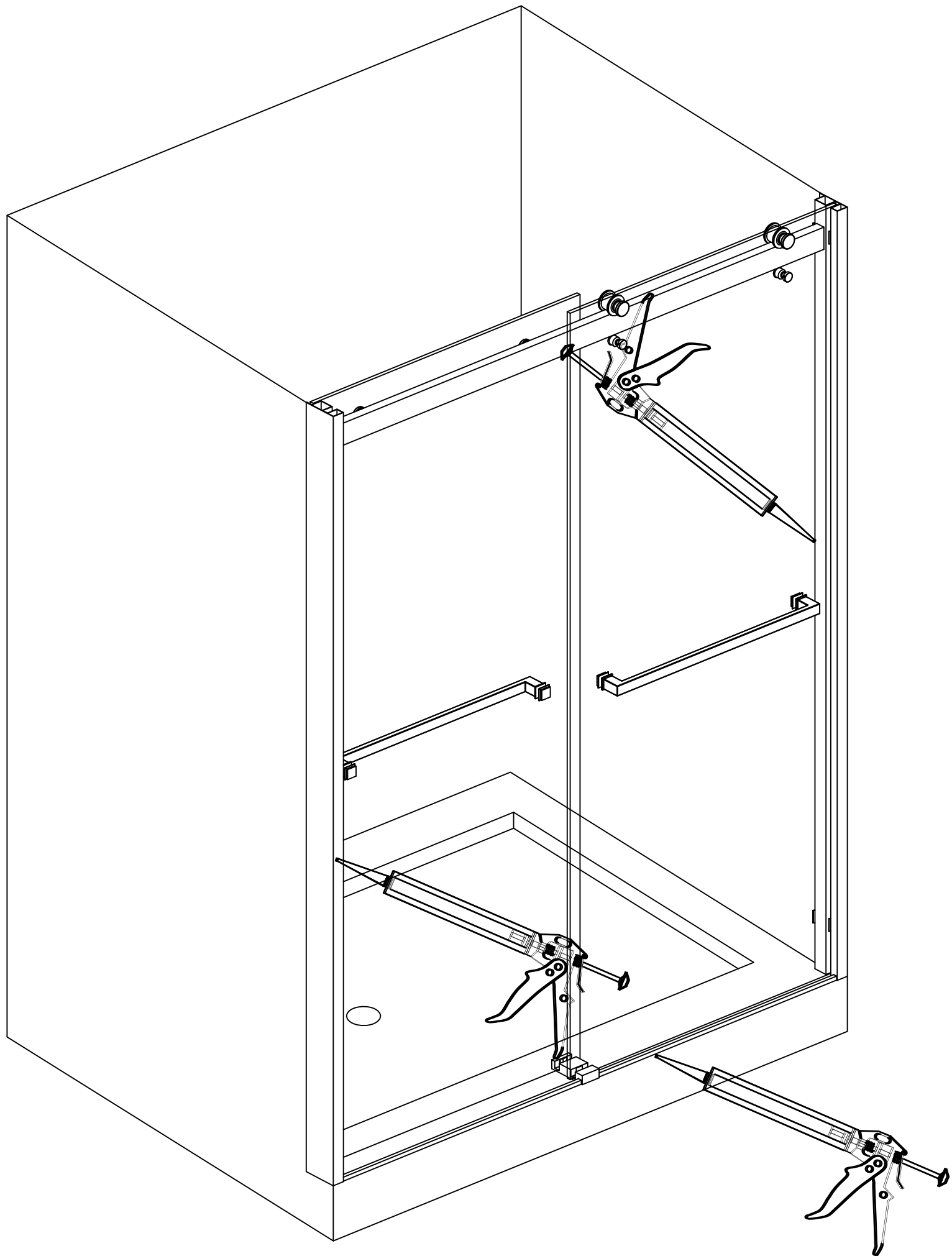


Suspend the Exterlor Door Panel(1) on the top rail (10). Slide the bottom edge of Exterlor Door Panel(1) into the outside slot of the sliding door track divider (6). Adjust the fasteners on both Exterlor Wheel(9) to insure the bottom edged of Exterlor Door Panel(1) does not touch the bottom of sliding door track divider (6). Install the bottom roller guide assemblies (5) on the Exterlor Door Panel(1) to secure the Exterlor Door Panel(1) to top rail (10). Adjust the bottom roller guide assemblies (5) so that the distance between the bottom of top rail (10) and the top of bottom roller guide assemblies (5) has a gap of $1/32''$. This gap is a starting gap, check that the sliding door rolls smoothly along the the top rail. Make adjustments if needed.



Install the door handles (4) using hardware provided. Follow the assembly sequence seen in drawing.

Install the door seals (8) in the glass door as seen in figure.



Using Bath & Kitchen silicone sealant, seal the Door Threshold (7) along bottom edge on shower base, and inside edge along **Wall channel(3)**.

TURIN CANADA LIMITED WARRANTY

PLEASE READ THESE WARRANTY TERMS AND CONDITIONS CAREFULLY BEFORE USING YOUR TURIN CANADA BATHROOM PRODUCT. BY USING THE PRODUCT, YOU ARE CONSENTING TO BE BOUND BY THE FOLLOWING WARRANTY TERMS AND CONDITIONS. SHOWER DOOR/SHOWER BASE/SHOWER GLASS

Turin Canada Parts-Only Limited Warranty is five (5) years. Warranty for any part in black finish is limited to two (2) years.

Turin Canada warrants to the original retail purchaser ("Owner") of any Shower Door/Shower Base/Shower Glass product ("Product"), at the original installation site, for a period of Five (5) years (or two (2) years for any part in black) from date of purchase that the Product be free from manufacturing defects in materials and workmanship, when used under normal conditions and when such Product has not been modified or changed in any manner after leaving Turin Canada's warehouse. If any Product manufactured by Turin Canada is found to have manufacturing defects in materials or workmanship, such Product will be repaired or replaced by Turin Canada. This warranty applies only against defects discovered within the warranty period and extends only to the original purchaser of the Product. Parts repaired or replaced under the terms of this Warranty will be warranted for the remainder of the original warranty period only.

Proof of purchase is required to exercise this Warranty. Turin Canada may, at its option, examine and inspect the alleged defective Product, and Turin Canada may request that part(s) be returned to Turin Canada at Owner's expense for factory inspection. The determination as to whether Product shall be replaced, or in the alternative, repaired, shall be made solely by Turin Canada. If a Product is determined to be covered by the above Warranty, Turin Canada will ship the replacement part(s) to Customer. Parts not currently in stock may require up to a 6 weeks delivery time after placement of order.

The above warranty is subject to the following conditions: (1) the Product must be installed in a single-family dwelling unit where the original purchaser of the Product resides; and (2) the Product must be maintained as described in the owner's manual supplied with the Product.

For glass and acrylic panels, the customer must (a) open and inspect the Product upon delivery (without releasing the delivery driver until visual verification that the Product arrived in a good and acceptable condition); and (b) clearly notate damage on the delivery acknowledgment receipt. Failure to do so, and any damage discovered to glass or acrylic panel after delivery, will be repaired or replaced at the sole discretion of Turin Canada.

THIS WARRANTY DOES NOT COVER:

1. Product installed in buildings other than single-family dwelling units.
2. Product installed outdoors or any other non-standard bathroom location.
3. Component parts not manufactured by Turin Canada.

4. Workmanship of any installer of Turin Canada Product. This warranty does not assume any liability of any nature for unsatisfactory performance caused by improper installation, or any damages to property resulting from improper installation or use of the Products, including but not limited to flooring, subfloor, tile, walls, sheet rock, concrete board, paint, plumbing fixtures and ceilings.
5. Labour costs incurred in the removal, disassembly, reassembly, or installation of the Product(s), including replacement Products issued under the Warranty, or costs for transportation to Turin Canada, and any other materials necessary to return Product to Turin Canada.
6. Any Product that has been damaged as a result of being improperly serviced or operated, including, but not limited to, the following: operated with insufficient water; allowed to freeze; subjected to flood conditions; operated with water conditions or additives which cause unusual deposits or corrosion in or on the Product, or subject to any other abuse or negligence.
7. Any Product that has been damaged as a result of natural disasters, including, but not limited to, lightning, fire, earthquake, hurricanes, tornadoes or floods.
8. Product used for any purpose other than residential bathroom usage.

LEGAL DISCLAIMERS

ALL IMPLIED WARRANTIES, INCLUDING WARRANTIES OF MERCHANTABILITY AND FITNESS FOR A PARTICULAR PURPOSE, ARE HEREBY DISCLAIMED IN THEIR ENTIRETY WITH RESPECT TO ALL PURCHASERS OR OWNERS. FAILURE TO RETURN THE WARRANTY CARD SHALL HAVE NO EFFECT ON THE DISCLAIMER OF THESE IMPLIED WARRANTIES. ALL EXPRESS WARRANTIES SHALL BE LIMITED TO THE DURATION OF THIS EXPRESS LIMITED WARRANTY AND EXCLUDE ANY LIABILITY FOR CONSEQUENTIAL OR INCIDENTAL DAMAGES RESULTING FROM THE BREACH OF ANY EXPRESS WARRANTY. Some states do not allow the exclusion or limitation of incidental or consequential damages, so the above limitations or exclusions may not apply. No dealer, distributor, Service Company or other party is authorized to change, modify or extend the terms of this warranty in any manner whatsoever.

Turin Canada and its representatives shall not be liable for any injury, loss, cost or other damages, whether incidental or consequential, arising out of any defect covered by this Warranty including and without limitation, loss of use of the Product and cost for removal of defective Product, even if Turin Canada has been advised of the possibility of such damage. The liability of Turin Canada under this Warranty, if any, shall not exceed the original amount paid for the Product covered by the Warranty. Coverage under this Warranty shall commence as of the original date of purchase and the duration of such coverage shall not extend for any reason whatsoever beyond the stated time period. Please remember to register your new Turin Canada product to ensure accurate and satisfactory customer service.

Durin