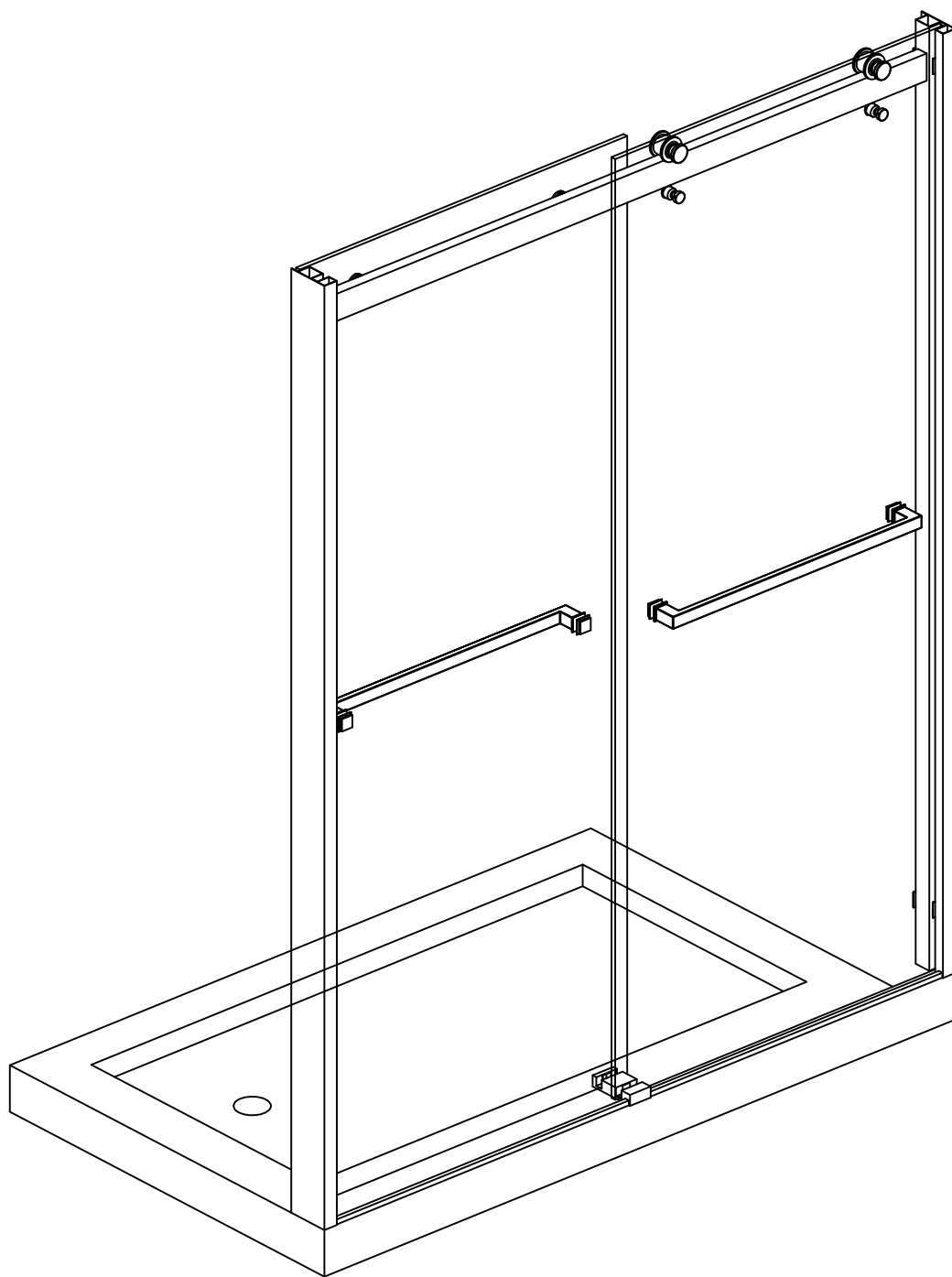


Durin

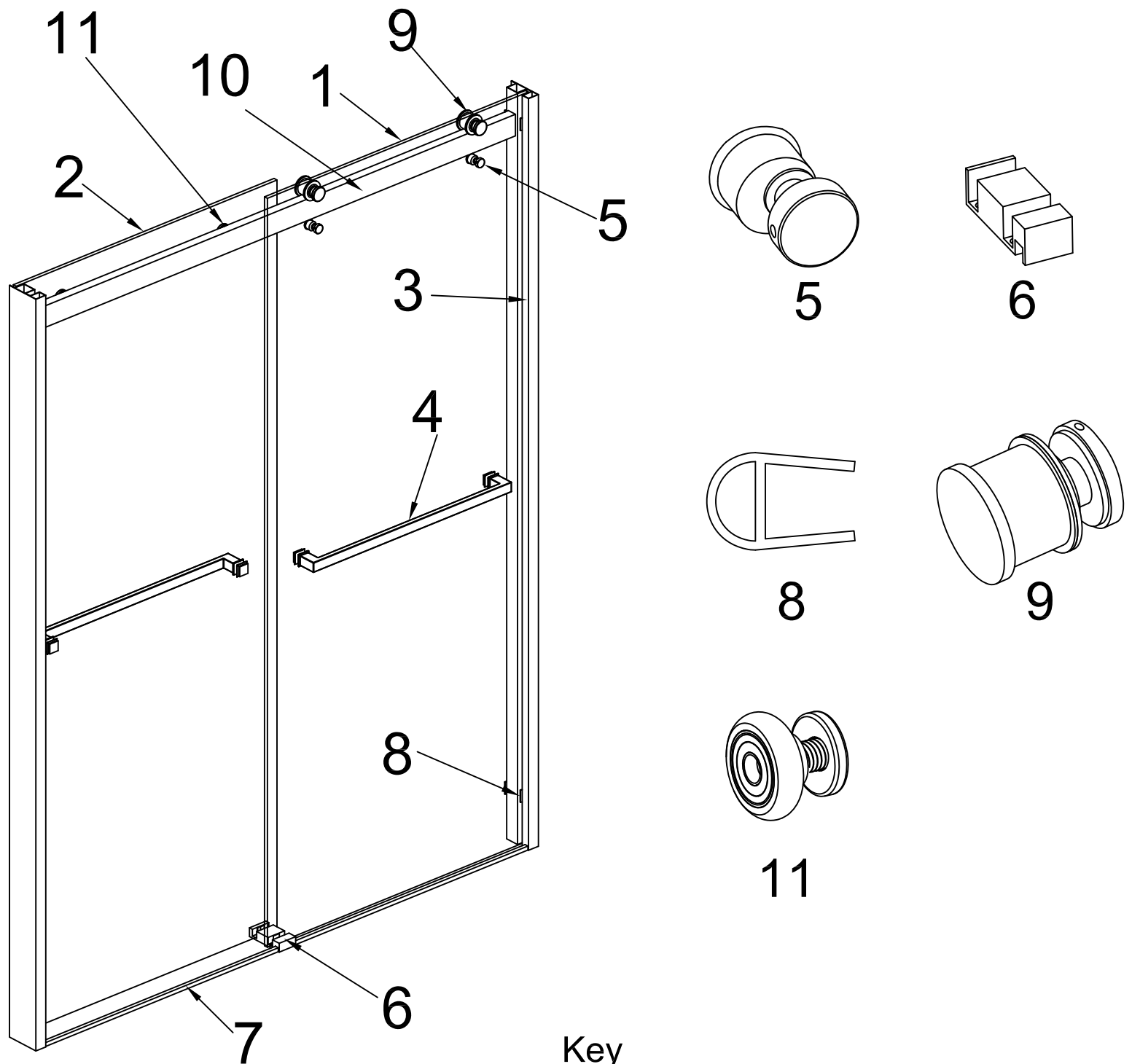
INSTALLATION AND OWNER'S MANUAL



Shower Door with Tray Model Number: LABERGE TU-SD-977-48-(C/B)
TU-SB-977-48-36-L

Please carefully read these instructions before you begin to install the products.


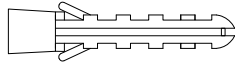


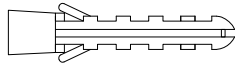
Detailed Diagram of Shower Door Components



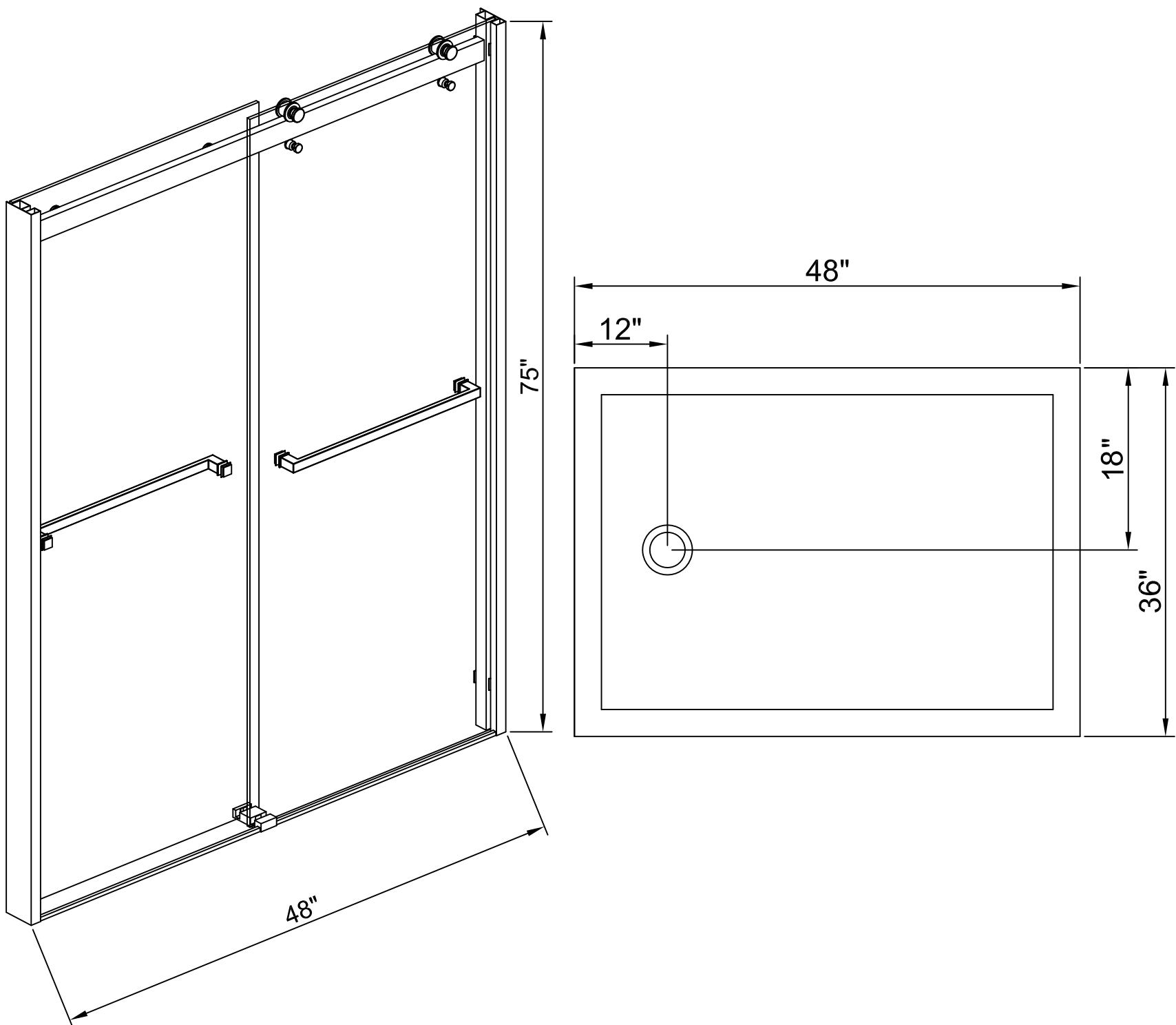
Key Number	Description	QTY	Key Number	Description	QTY
1	Exterlor Door Panel	1	9	Exterlor Wheel	2
2	Interlor Door Panel	1	10	Top Rail	1
3	Wall channel	2	11	Interlor Wheel	2
4	Door Handle	2			
5	Bottom Roller Guide Assembly	2			
6	Sliding Door Track Divider	1			
7	Door Threshold	1			
8	Door Seal	4			

PLEASE NOTE: During unpacking carefully inspect all parts and use the exploded view drawing to identify all parts in the parts listing. Before discarding the packaging check for any parts or small hardware bags that may have been overlooked.

SUPPLIED HARDWARE

SCREW PACK (1)	M4x40		8
	Anchor		8
SCREW PACK (2)	M4x25		2
SCREW PACK (3)	M4x40		2
	Anchor		2

SUPPLIED PARTS

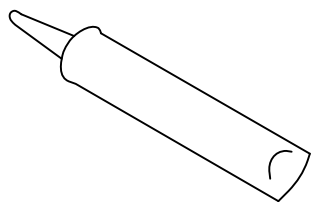


Installation Guide

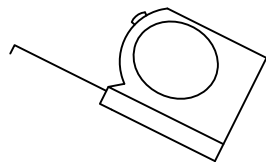
Please read and follow the installation instructions and guidelines in this section. Failure to follow the recommended instructions and installation techniques may lead to possible damage to the unit or the surrounding area. This can affect warranty claims.

ATTENTION: This unit requires assembly. A minimum of two people are required for assembly, as several of the sections can be large and unstable until assembled.

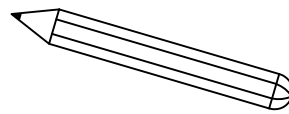
You will need the following tools:



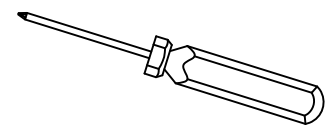
Caulk



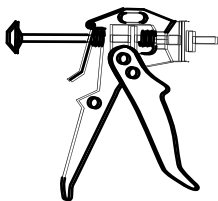
Tape Measure



Pencil



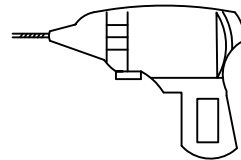
Phillips Screwdriver



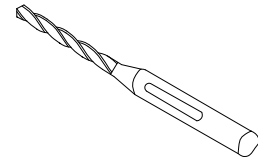
Caulk Gun



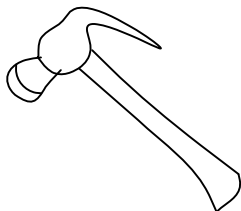
Level



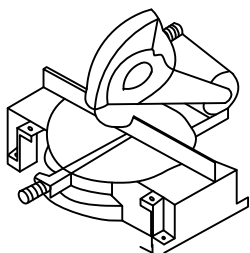
Electric Drill



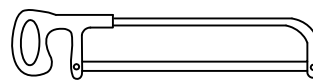
Drill bit (Ø⁵/₁₆")



Hammer



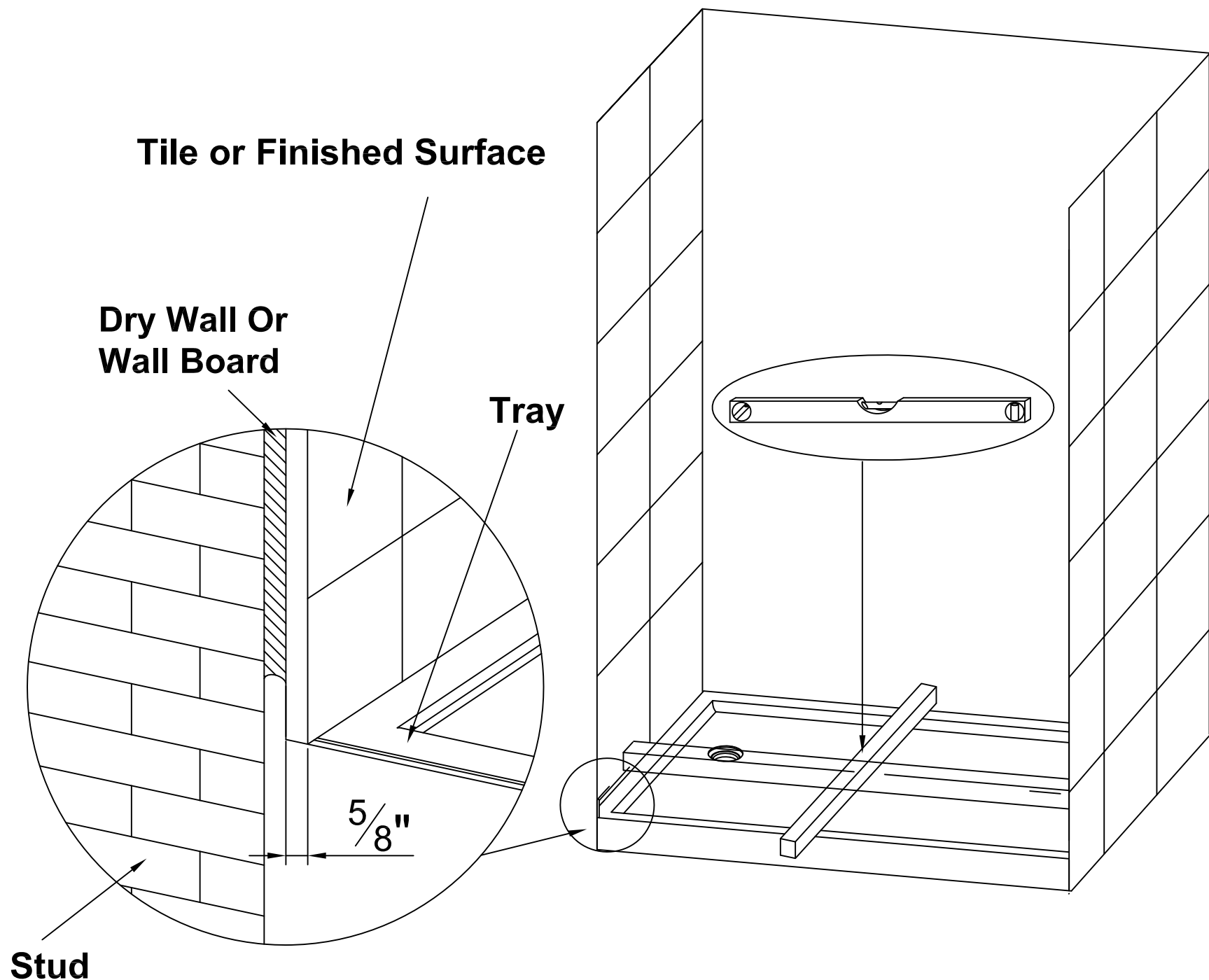
Chop saw or Hacksaw



Razor Knife

Locate the accessory box and remove the individual screw and hardware packages. Lay them out in sequential order to aid in completing the rest of the installation.

Preparation of base for installation of shower tray



WARNING: THE Aston shower door and tray are designed to be used with tile walls. If you are using a pre-made Acrylic/ABS/FRP shower stall that will be thicker than average wall board plus tile then you must consider the offset of the pre-made panel. The shower tray has 1/4" of tolerance for over sized wall thickness.

The shower tray needs to sit on a flat level base for proper support. Ensure that the area for the shower tray is properly prepared for installation.

Using the drawing provided, place the floor drain in the proper location so that the shower tray drain and the floor drain are in line after final installation.

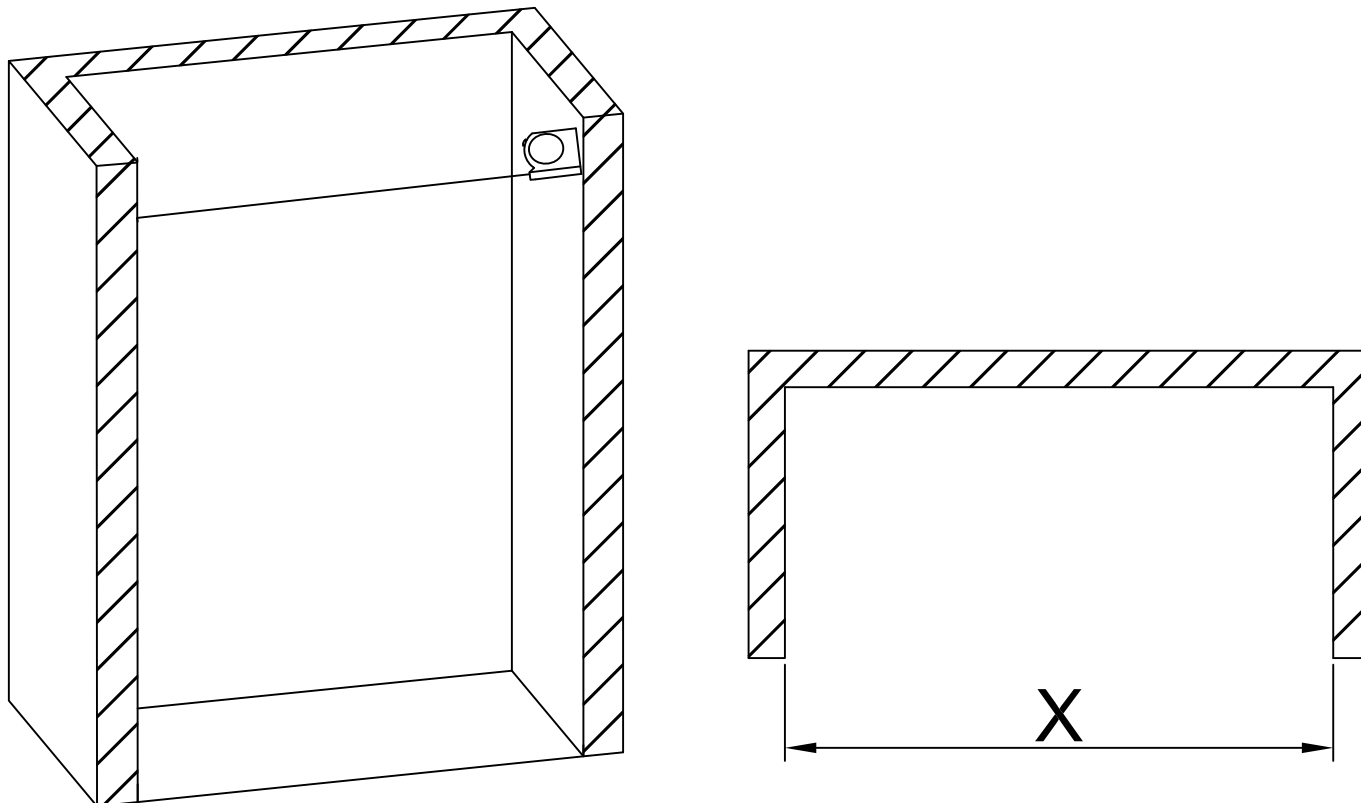
Place the shower tray in the final installation position line up the drain holes and check for level. If not level make adjustments to the floor at this time.

This can be accomplished by leveling the subfloor by use of Shims, Leveling compound or placing the shower tray into a mortar base

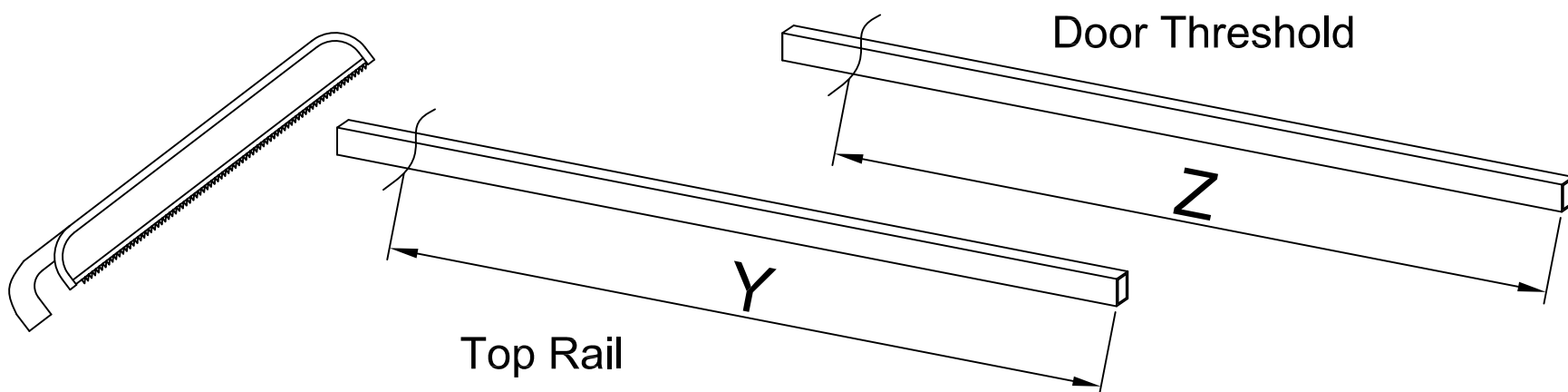
The shower tray must be installed so that the tile lip is against the wall studs. It is recommended that the tray is attached to the studs using screws.

IMPORTANT: If you are using screws to secure the tray to the studs it is recommended that you pilot drill the screw location as to prevent the acrylic tray from chipping or cracking.

Shower Door Installation



1. Install all of the wall material or materials you intend to use before measuring the width of the opening. This includes all moisture resistant wall board, rock board, tile, stone or other wall covering.
2. Measure the width of the shower opening at the top between the 2 walls. Note this is dimension "X".



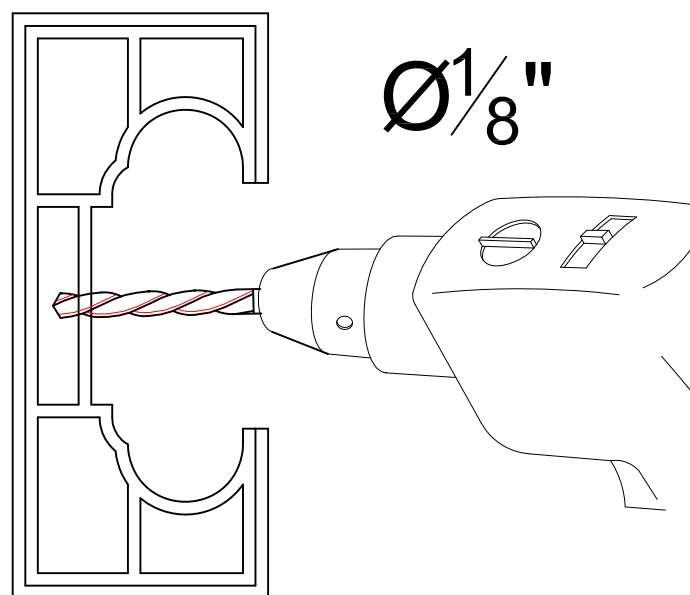
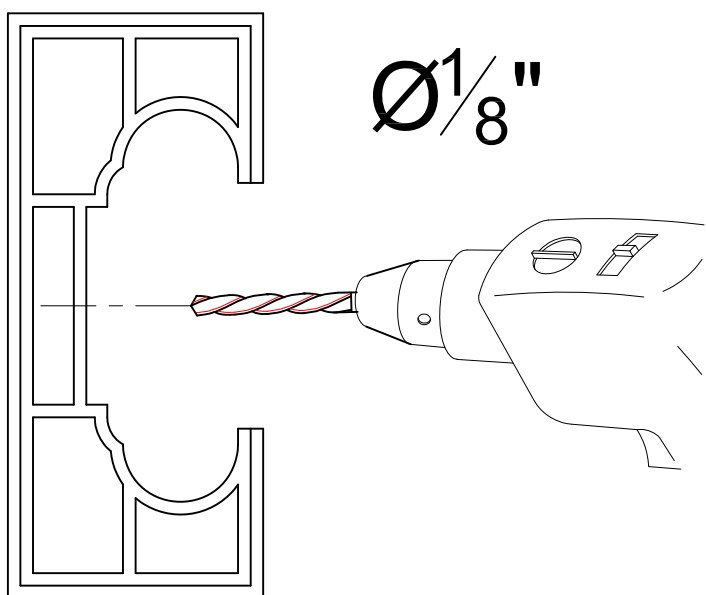
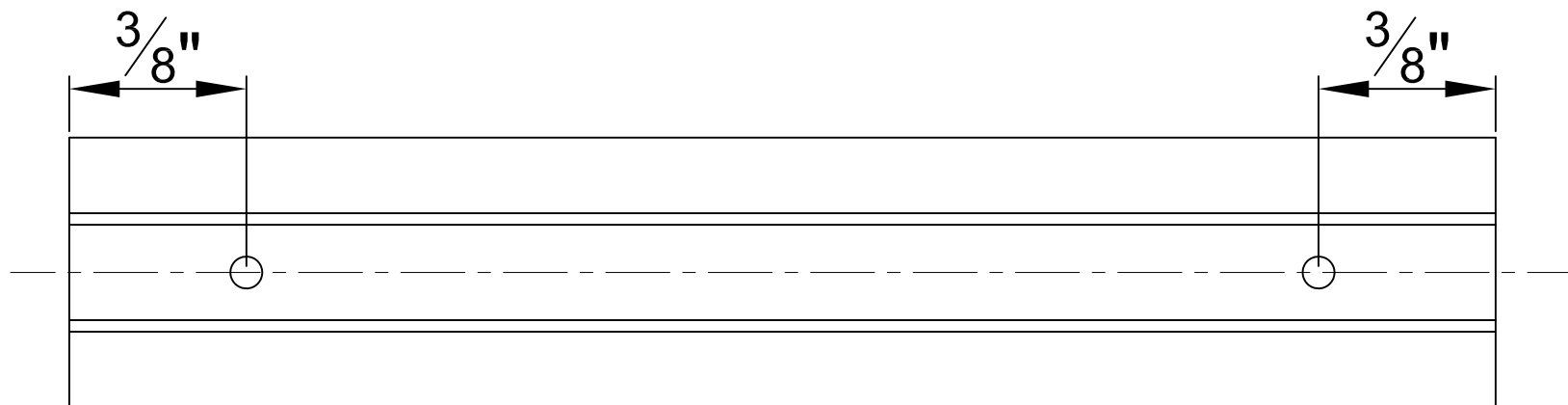
The following equation is used to determine the length to be cut from the rail in order to fit the shower opening.

$$\text{Top Rail: } Y = X - \frac{3}{8}''$$

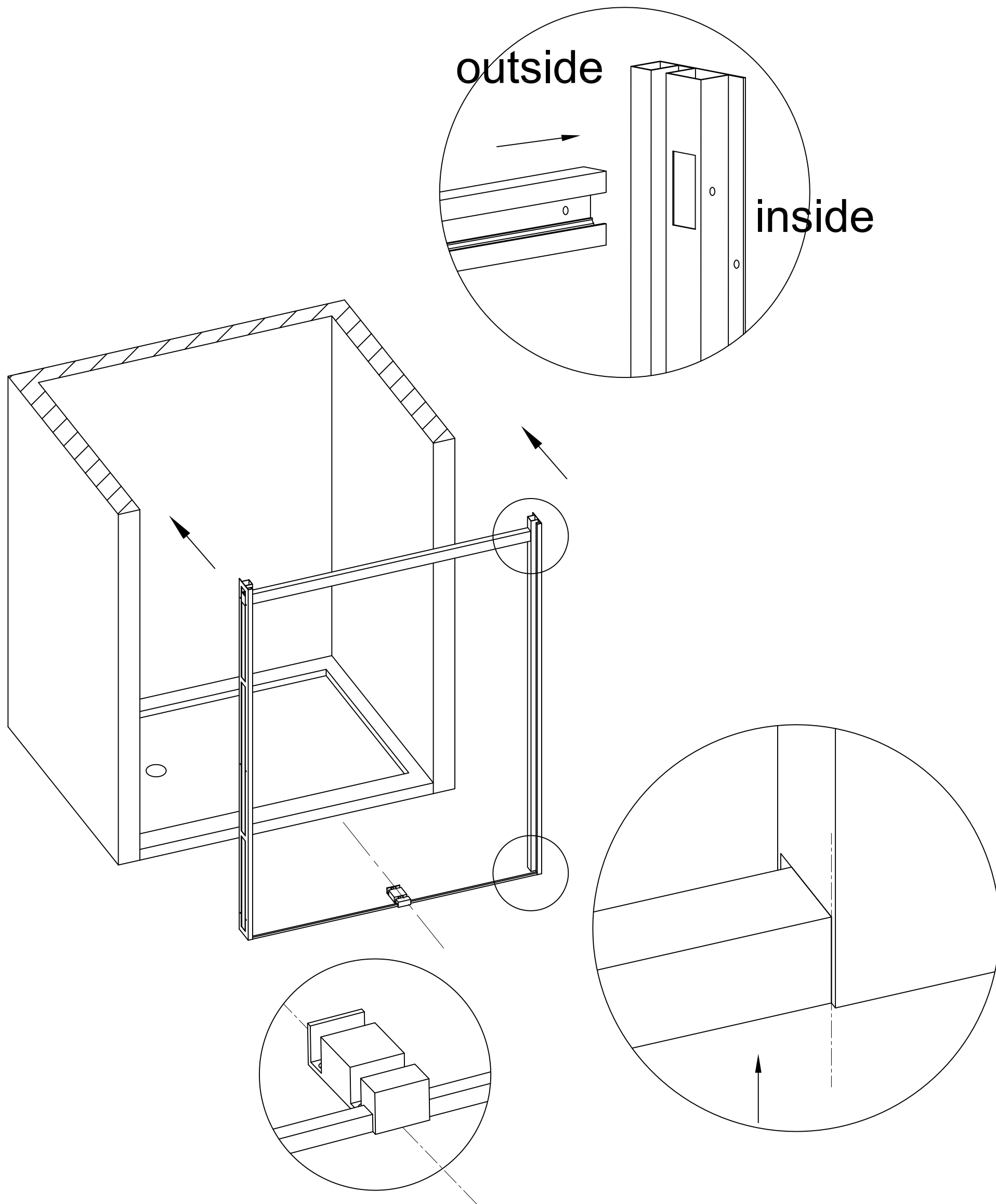
$$\text{Door Threshold : } Z = X - \frac{3}{8}''$$

3. Using a Chop saw or Hacksaw cut the Top Rail (10) and Door Threshold(7) at the marked dimension. Carefully remove any burrs or sharp edges remaining on Top Rail (10) and Door Threshold(7) after the cutting.

Top Rail



Use $\frac{1}{8}$ " drill tool drill the hole on the Top Rail .

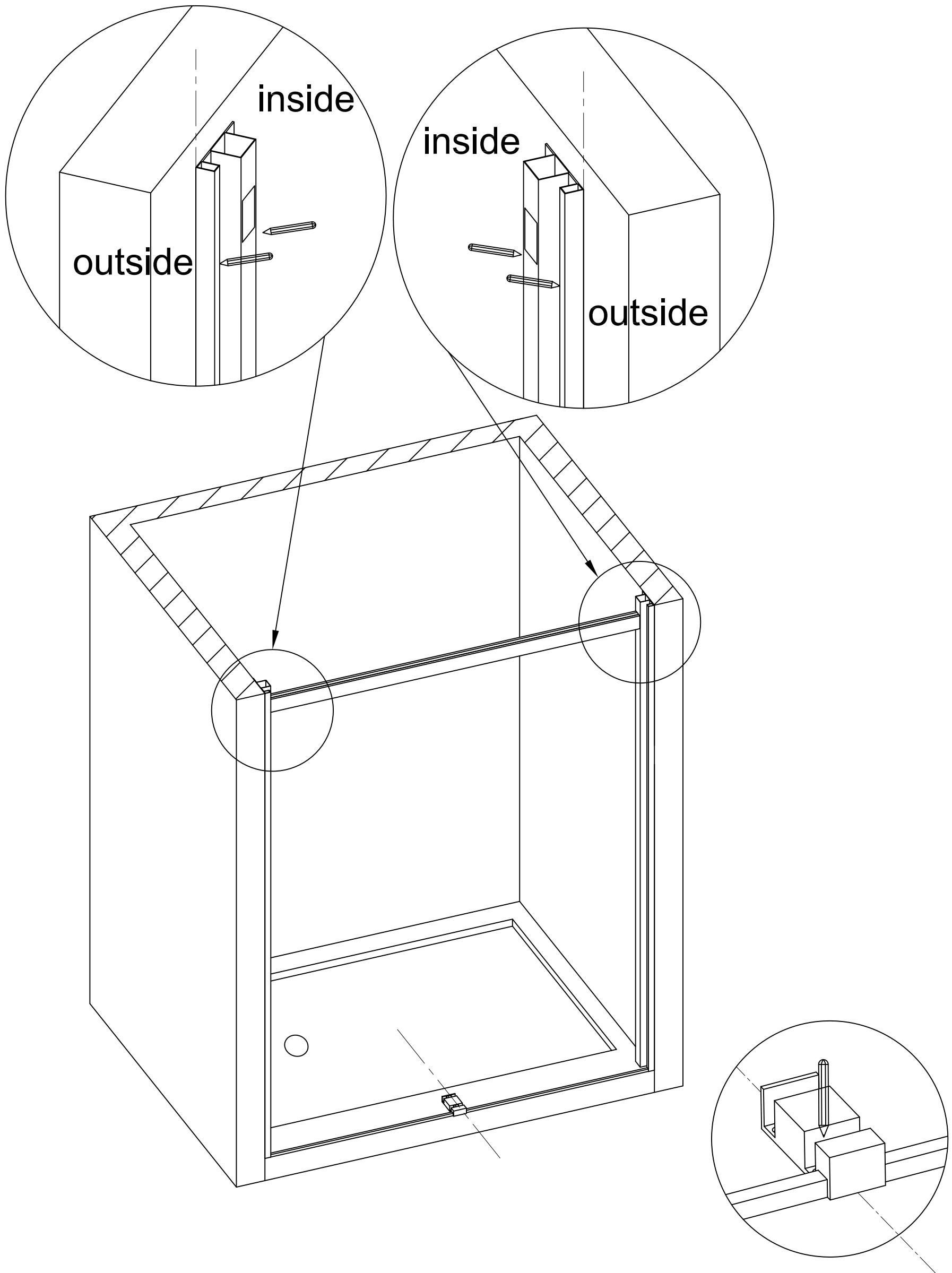


Put the top rail into wall channel,notice the direction of wall channel and top rail. See attached picture.

Put the Door Threshold into wall channel.

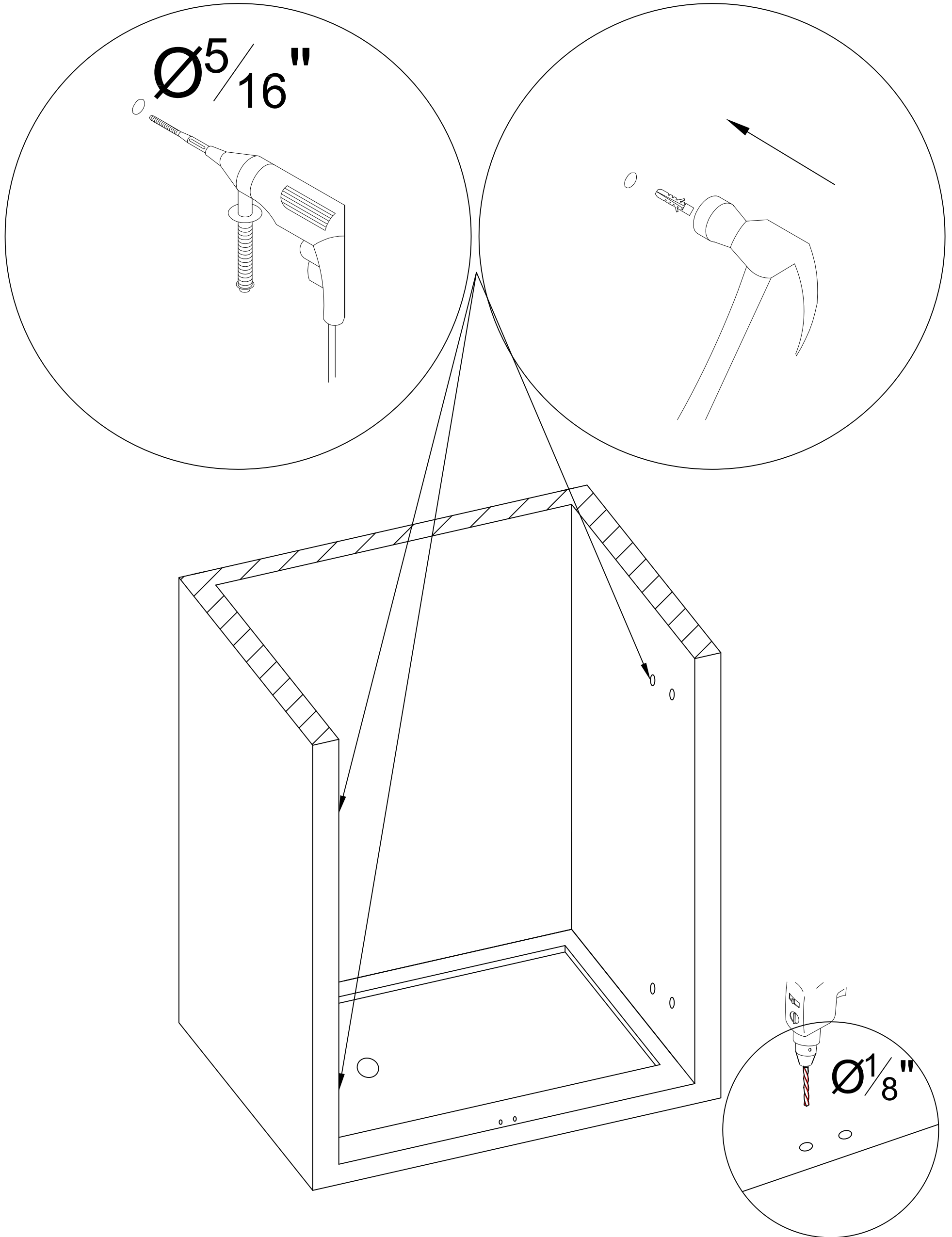
Put the door divider (6) into Door Threshold.

Then put the combination on the tray.



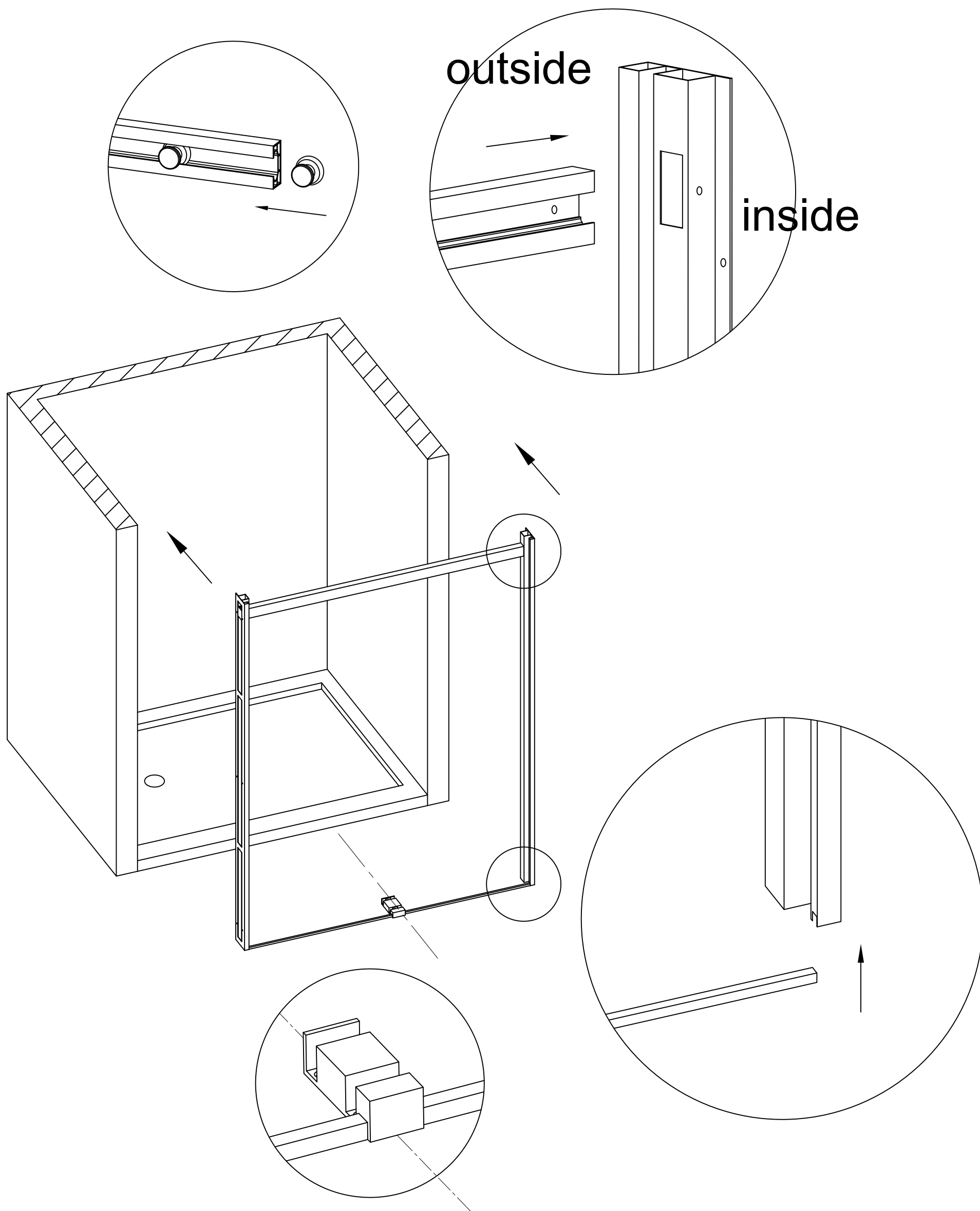
Position the track door divider (6) with door threshold (7) in place on shower threshold using the center line markings as a guide and mark the hole locations for track door divider (6).

Align the wall channel with the wall line, mark the position on the wall channel. After making the position, take away the wall channel.



Use $\frac{5}{16}$ " drill tool drill the hole on the wall, insert expansion tube.

Using a $\frac{1}{8}$ " drill bit, drill the hole locations on the tray.



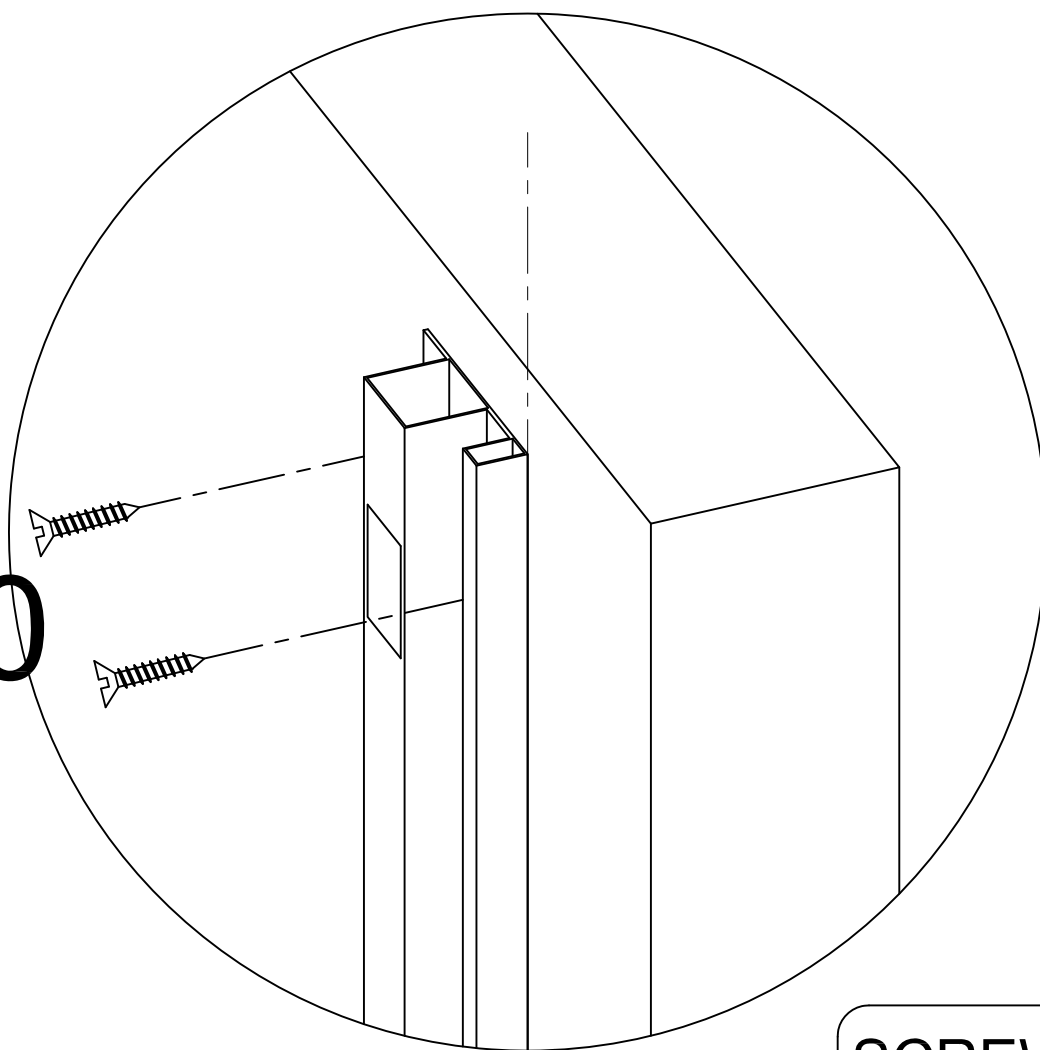
Slide the Interior roller wheels (12) into Top rail (10).Then put the top rail into wall channel,notice the direction of wall channel and top rail. See attached picture.

Put the Door Threshold into wall channel.

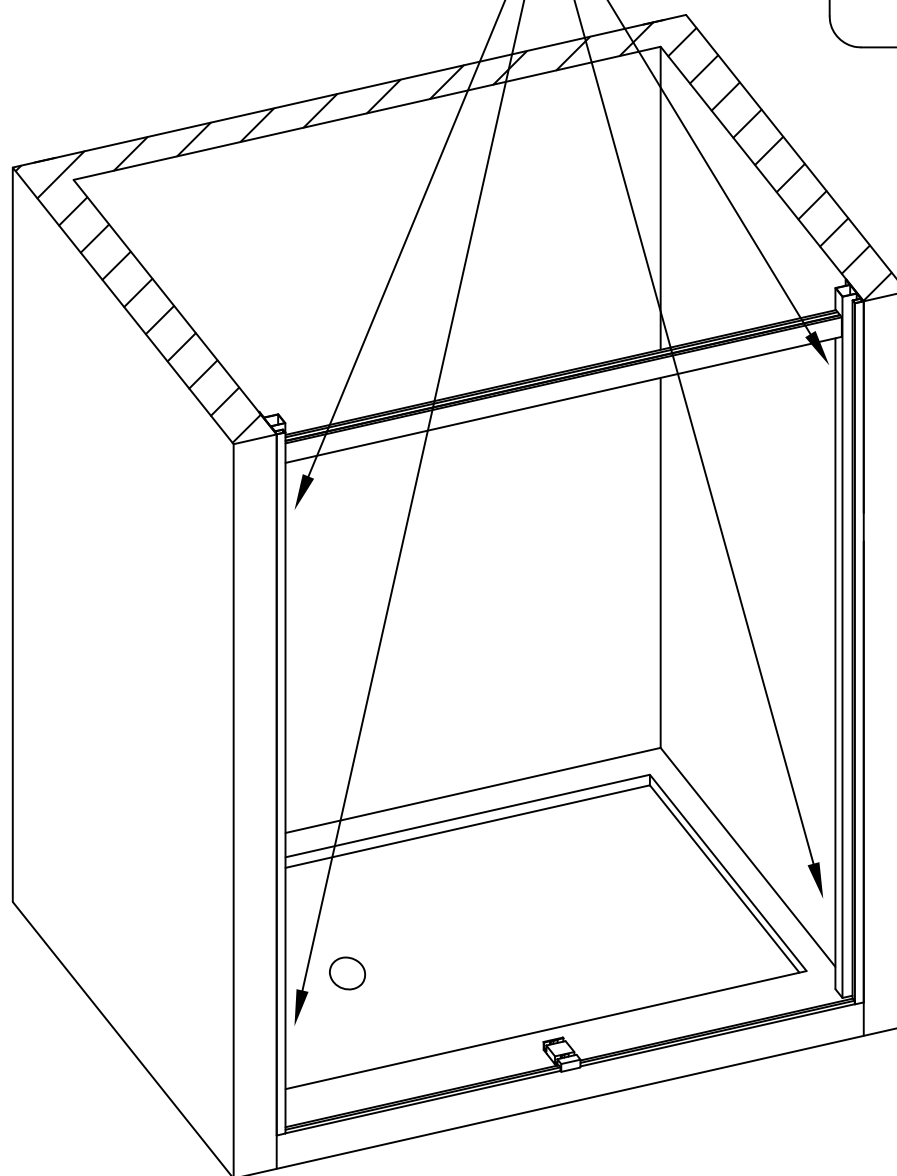
Put the door divider (6) into Door Threshold.

Then put the combination on the tray.

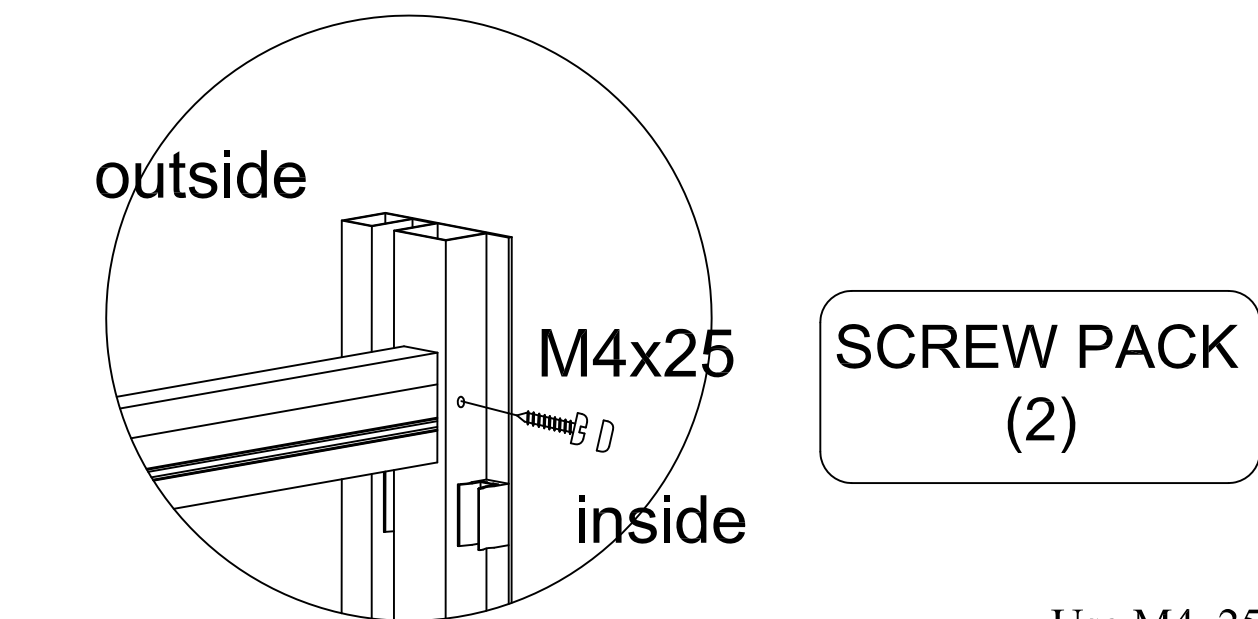
M4x40



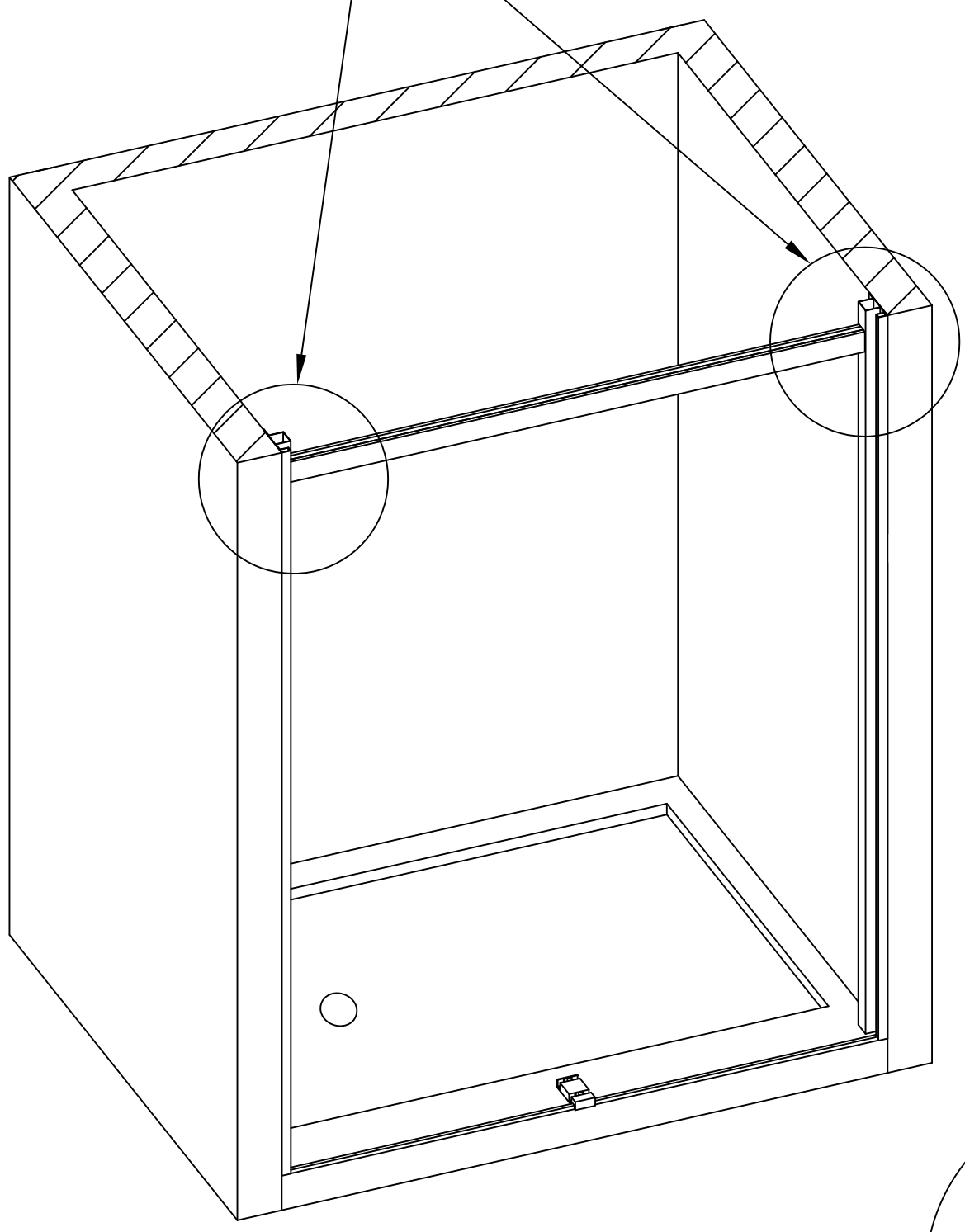
**SCREW PACK
(1)**



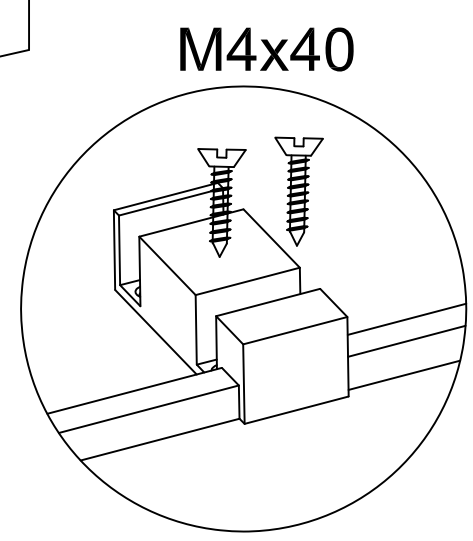
Using M4x40 screws attach the wall channel to shower wall.



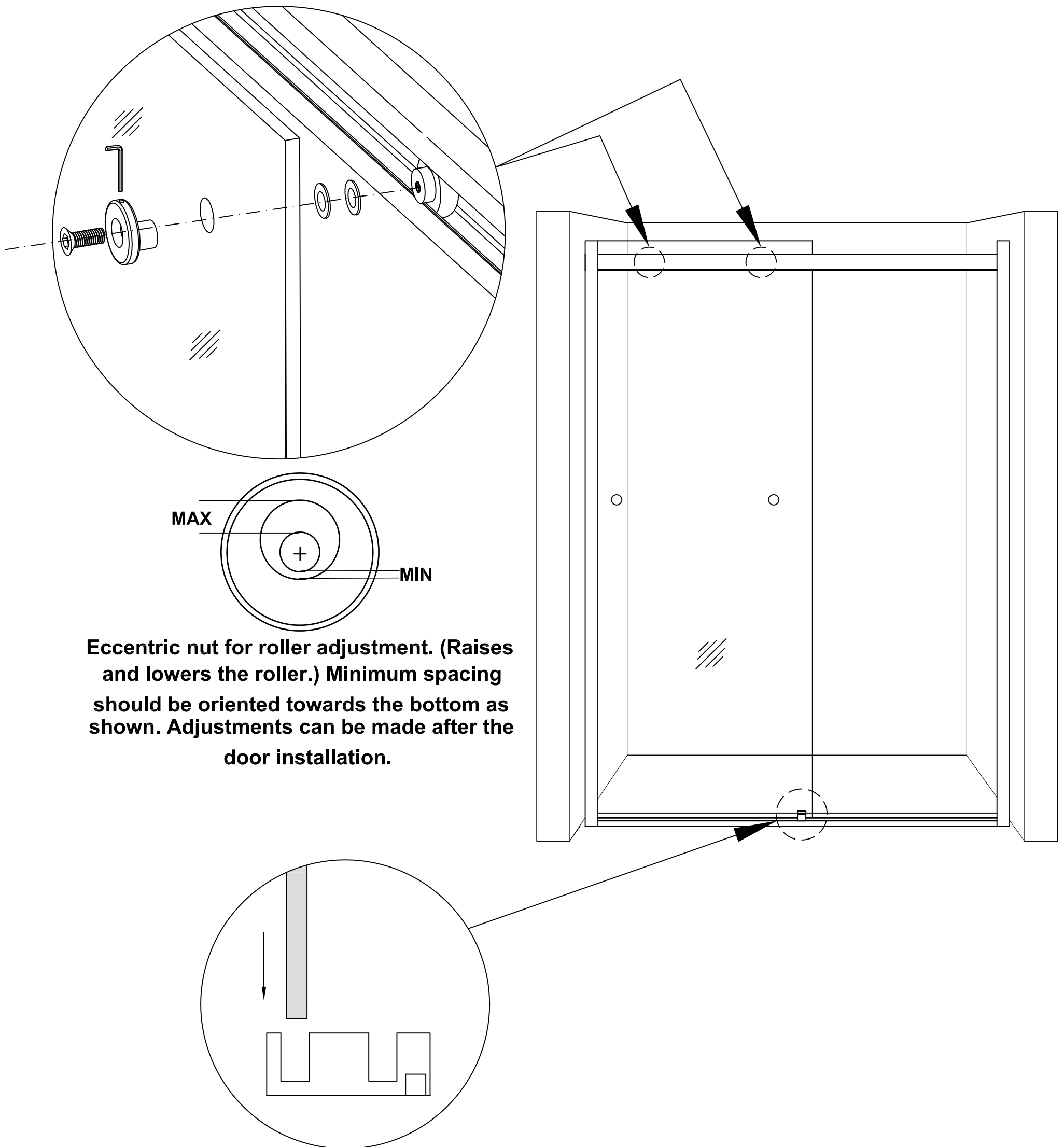
Use M4x25 screw fix the top rail and wall channel, then cover with decoration cover.



SCREW PACK
(3)

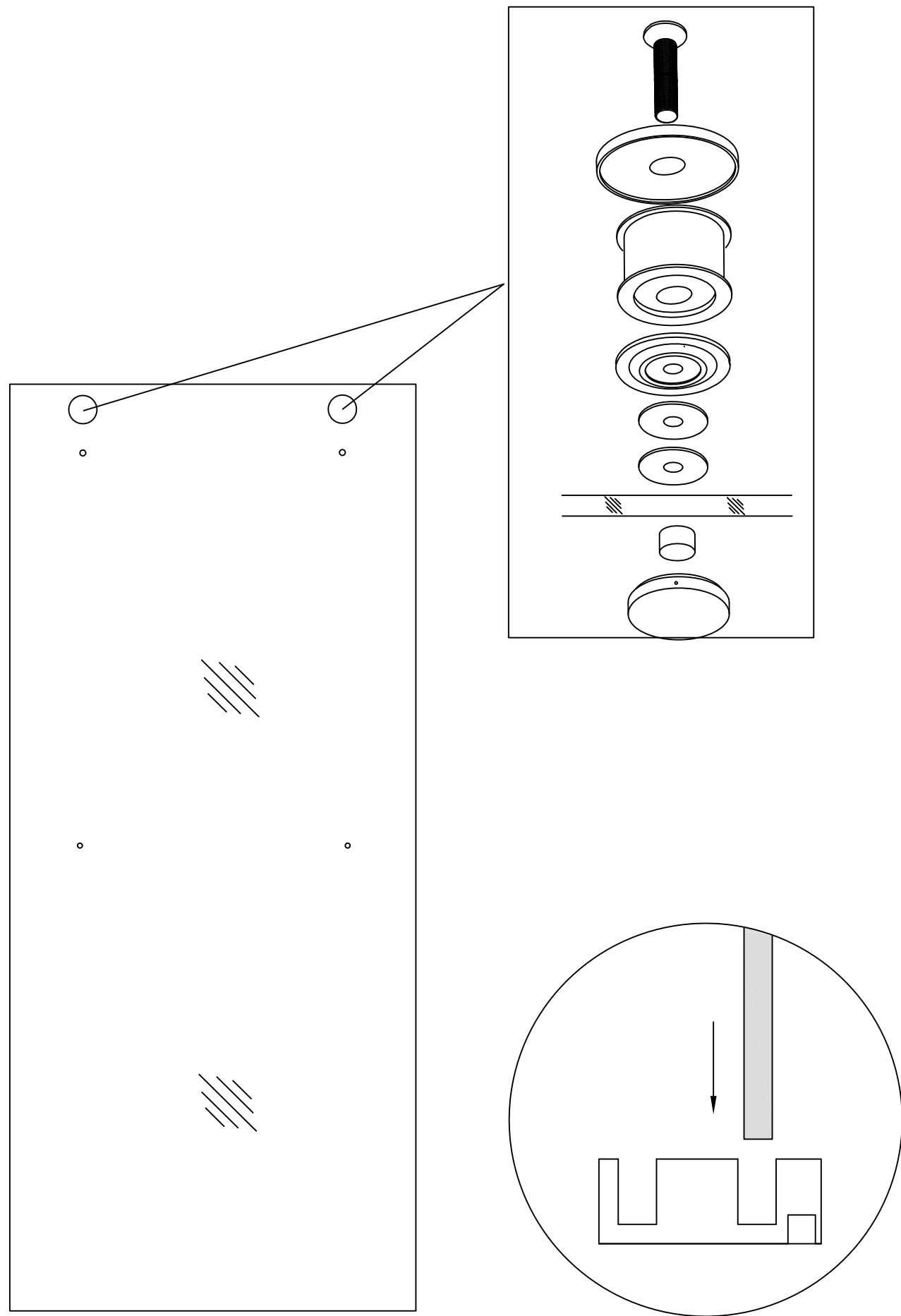


Attach Track door divider to shower threshold using M4x40 screws.



From the interior of shower area, position the Door panel (2) into Track door divider (6). Next align Interior roller wheels in Top rail with mounting holes in Door panel (2) and attach Door panel (2) to Interior roller wheels(12).

Exterior Door Assembly



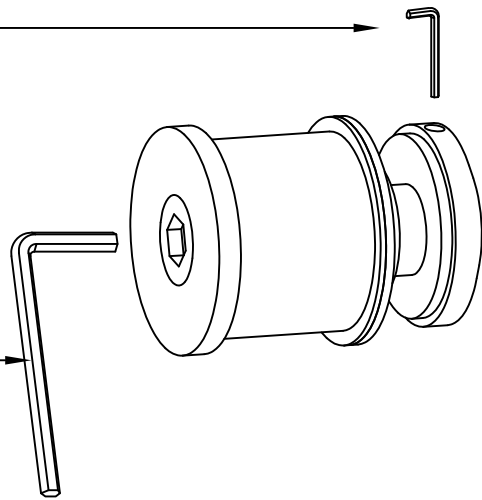
Install Exterior roller wheels (9) to Exterior door (1) as seen in figure 1.

Hanging the Door

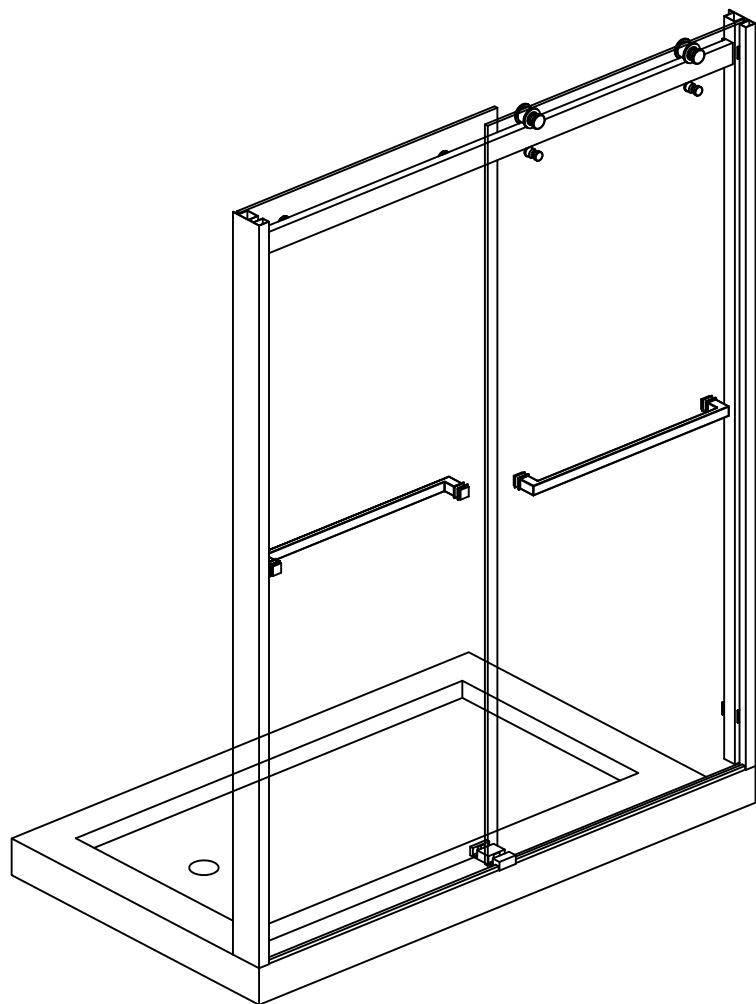
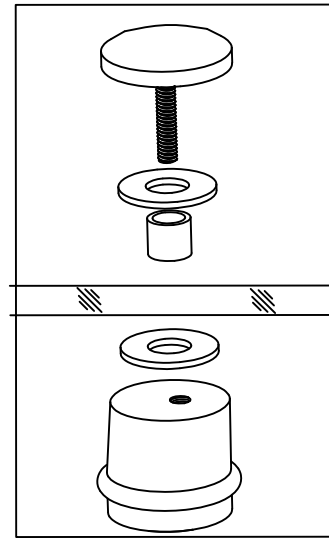
Exterlor Wheel **CAM** **ADJUSTMENT**

Rotate the outer edge of roller assembly using the small hex,

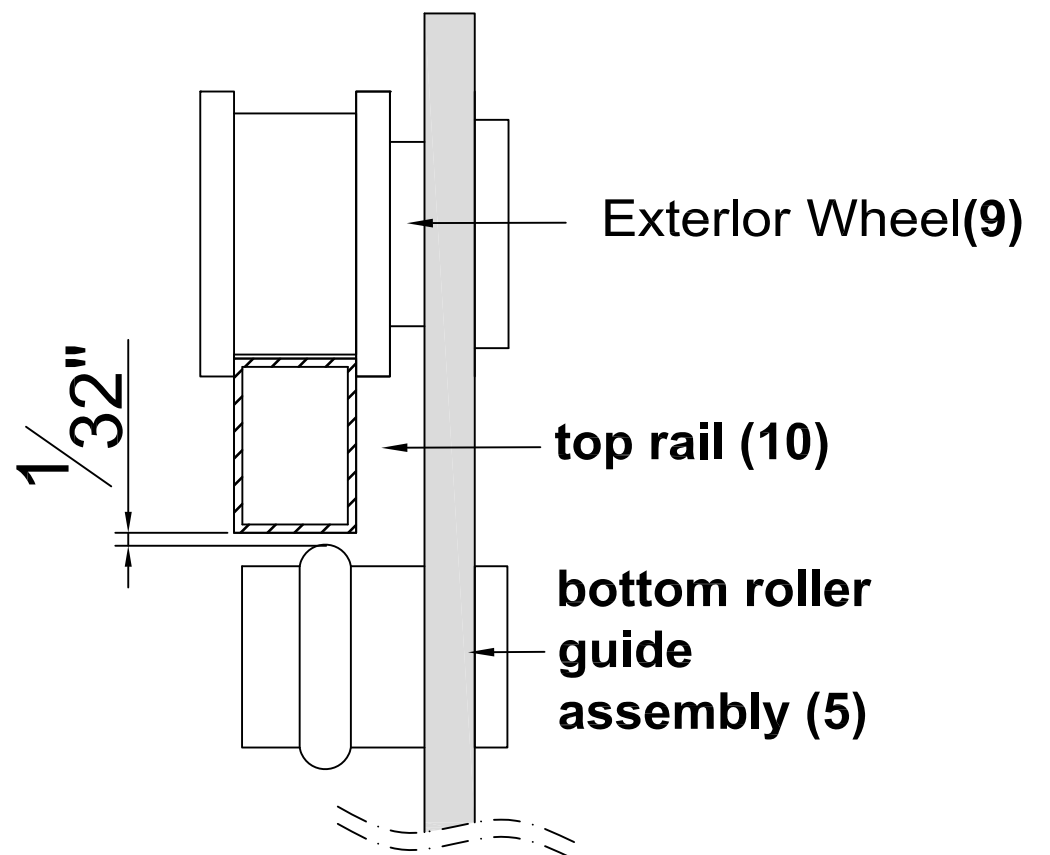
while holding the large hex wrench in place.



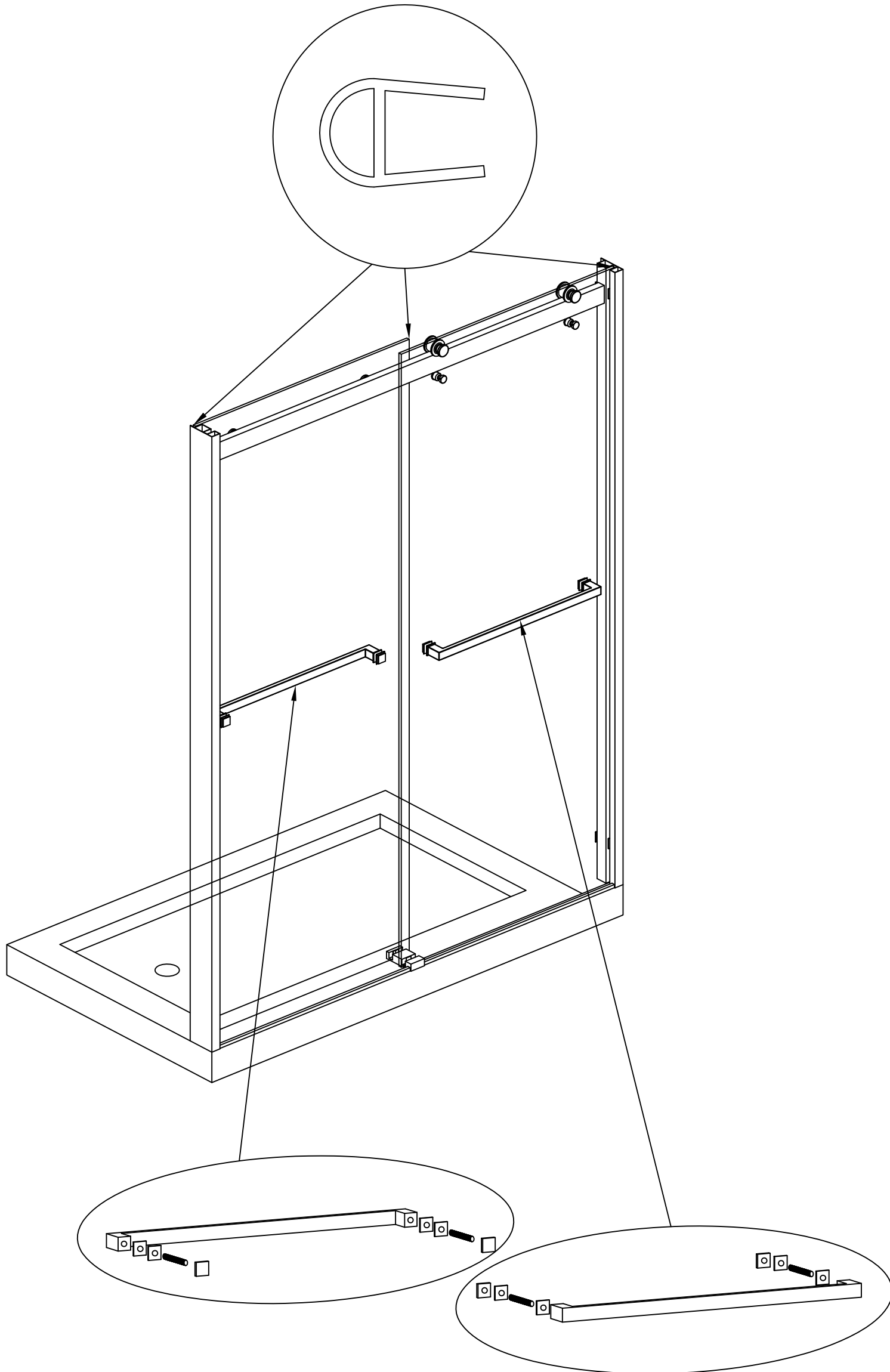
Bottom Roller Guide Assemblies



End View

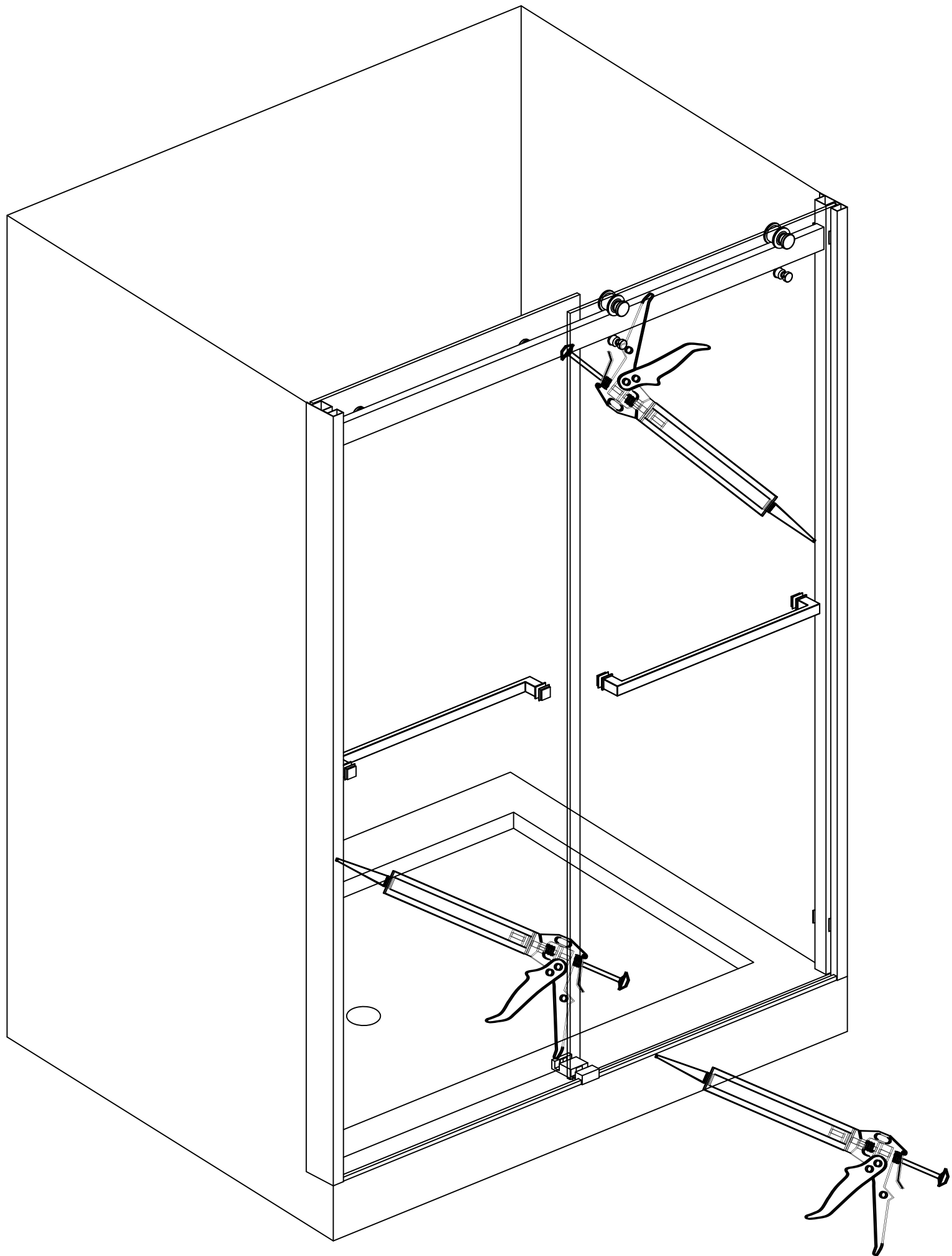


Suspend the Exterlor Door Panel(1) on the top rail (10). Slide the bottom edge of Exterlor Door Panel(1) into the outside slot of the sliding door track divider (6). Adjust the fasteners on both Exterlor Wheel(9) to insure the bottom edged of Exterlor Door Panel(1) does not touch the bottom of sliding door track divider (6). Install the bottom roller guide assemblies (5) on the Exterlor Door Panel(1) to secure the Exterlor Door Panel(1) to top rail (10). Adjust the bottom roller guide assemblies (5) so that the distance between the bottom of top rail (10) and the top of bottom roller guide assemblies (5) has a gap of $1/32''$. This gap is a starting gap, check that the sliding door rolls smoothly along the the top rail. Make adjustments if needed.



Install the door handles (4) using hardware provided. Follow the assembly sequence seen in drawing.

Install the door seals (8) in the glass door as seen in figure.



Using Bath & Kitchen silicone sealant, seal the Door Threshold (7) along bottom edge on shower base, and inside edge along **Wall channel**(3).

Durin