



# Before you start

Thank you for purchasing your shower door. We hope that it will provide you with years of satisfying use and enjoyment.

Please read this manual carefully because it contains information and instructions about the proper installation of the unit. If you do not follow certain conditions of installation and maintenance, your warranty may be affected.

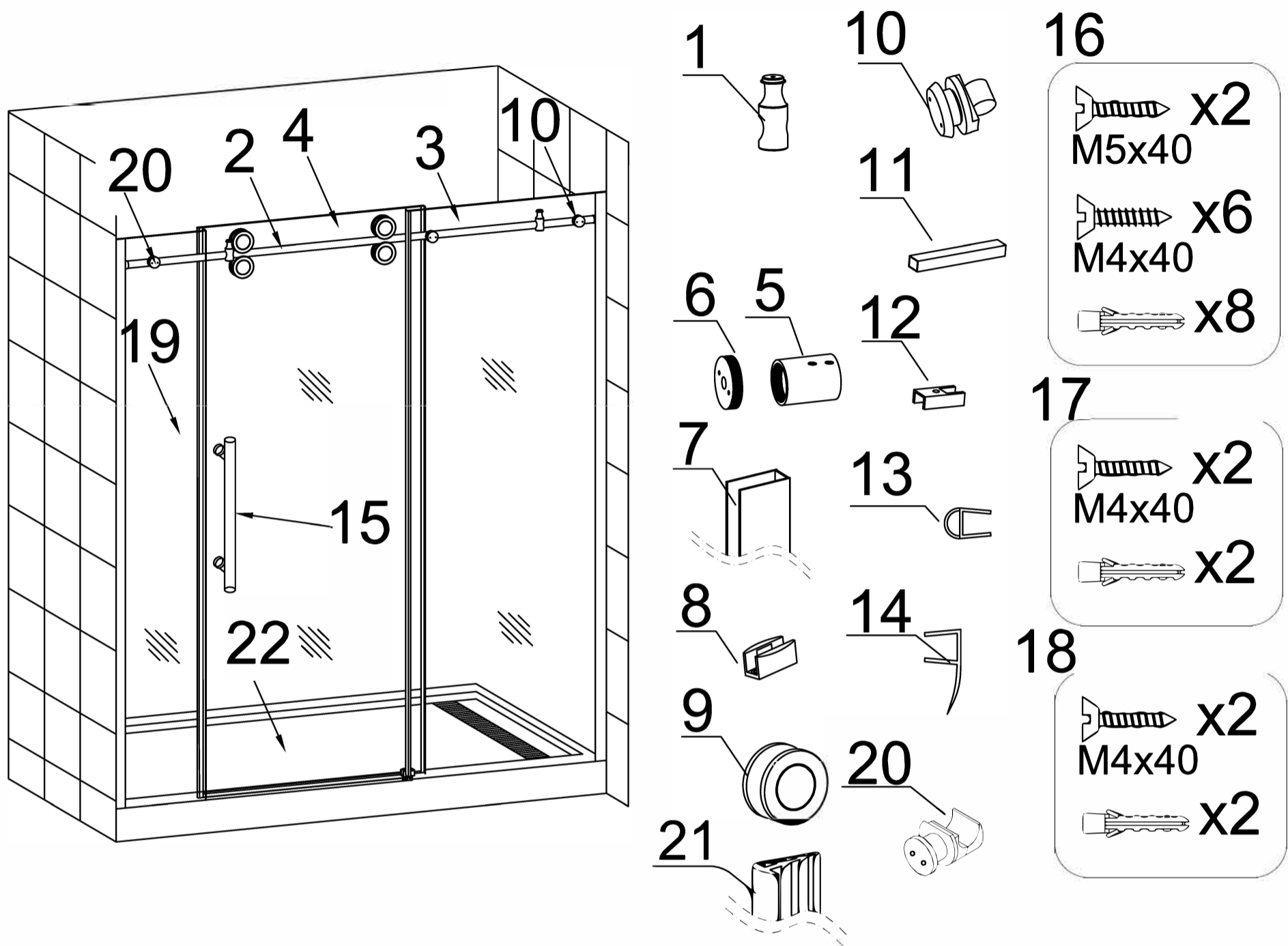
1. NOTE: You should consult your local building codes with questions on installation compliance standards. Plumbing and building codes vary by location.
2. Before installation, inspect installation surfaces or level and have to the strength to support the heavy weight of this shower door assembly. This Shower Door should only be installed using the connection point to the studs or to pre-installed 2x6 wood reinforcements behind the wall.
3. This Shower Doors assembly is very heavy and requires professional installation.

Shower door's feature:

- Tempered Safety Glass
- High quality hardware
- Easy maintenance durable fiberglass reinforced acrylic

**WARNING: The Shower door is designed to be used with tiled walls. If you are using a pre-made Acrylic/ABS/FRP shower stall that will be thicker than average plus tile, then you must consider the offset of the pre-made panel thickness. If applicable, the shower tray has 1/4" of tolerance for the oversized wall thickness.**

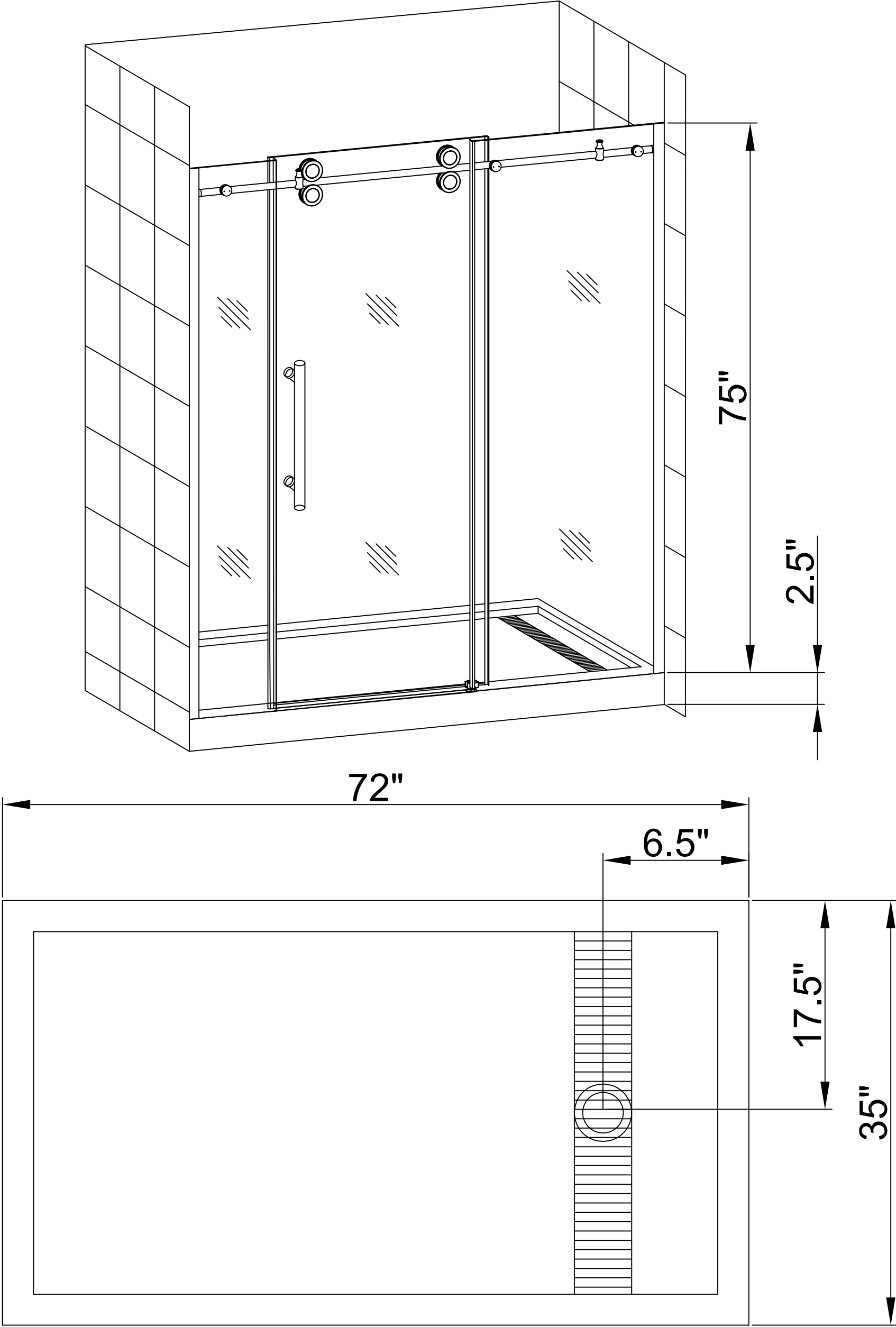
# Detailed Diagram of Shower Door Components



Key Number	Description	QTY	Key Number	Description	QTY
1	Door Stopper	2	12	Door Threshold End Cap 2	2
2	Top Rail	1	13	Bumper Strip	1
3	Large Fixed Glass	1	14	Anti-water Strip	3
4	Sliding Door	1	15	Door Handle	1
5	Rail End	2	16	Screw Pack 1	1
6	Wall Mount	2	17	Screw Pack 2	1
7	Vertical channel	2	18	Screw Pack 3	1
8	Sliding Door Track Divider	1	19	Small Fixed Glass	1
9	Roller Assembly	4	20	Small Fixed Glass Bolt Assembly	1
10	Fixed Glass Bolt Assembly	2	21	U-channel Seal	2
11	Door Threshold	1	22	Shower Tray	1

**PLEASE NOTE:** During unpacking carefully inspect all parts and use the exploded view drawing to identify all parts in the parts listing. Before discarding the packaging check for any parts or small hardware bags that may have been overlooked.

# SUPPLIED PARTS

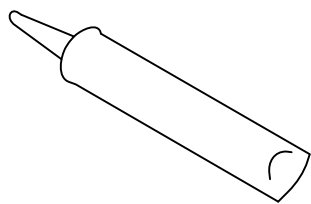


# Installation Guide

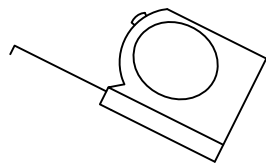
Please read and follow the installation instructions and guidelines in this section. Failure to follow the recommended instructions and installation techniques may lead to possible damage to the unit or the surrounding area. This can affect warranty claims.

**ATTENTION:** This unit requires assembly. A minimum of two people are required for assembly, as several of the sections can be large and unstable until assembled.

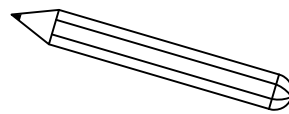
**You will need the following tools:**



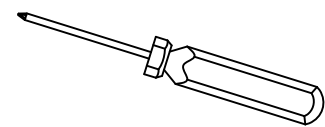
**Caulk**



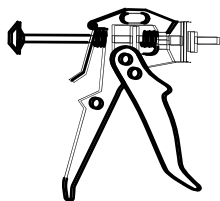
**Tape Measure**



**Pencil**



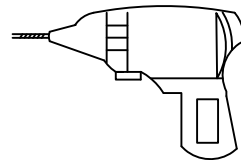
**Phillips Screwdriver**



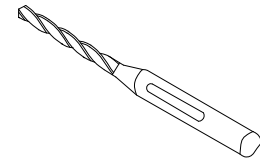
**Caulk Gun**



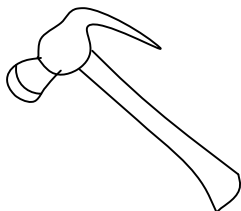
**Level**



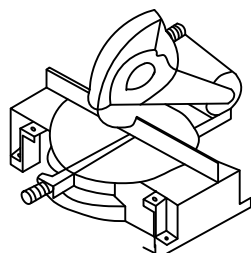
**Electric Drill**



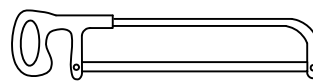
**Drill bit (Ø<sup>5</sup>/<sub>16</sub>" )**



**Hammer**

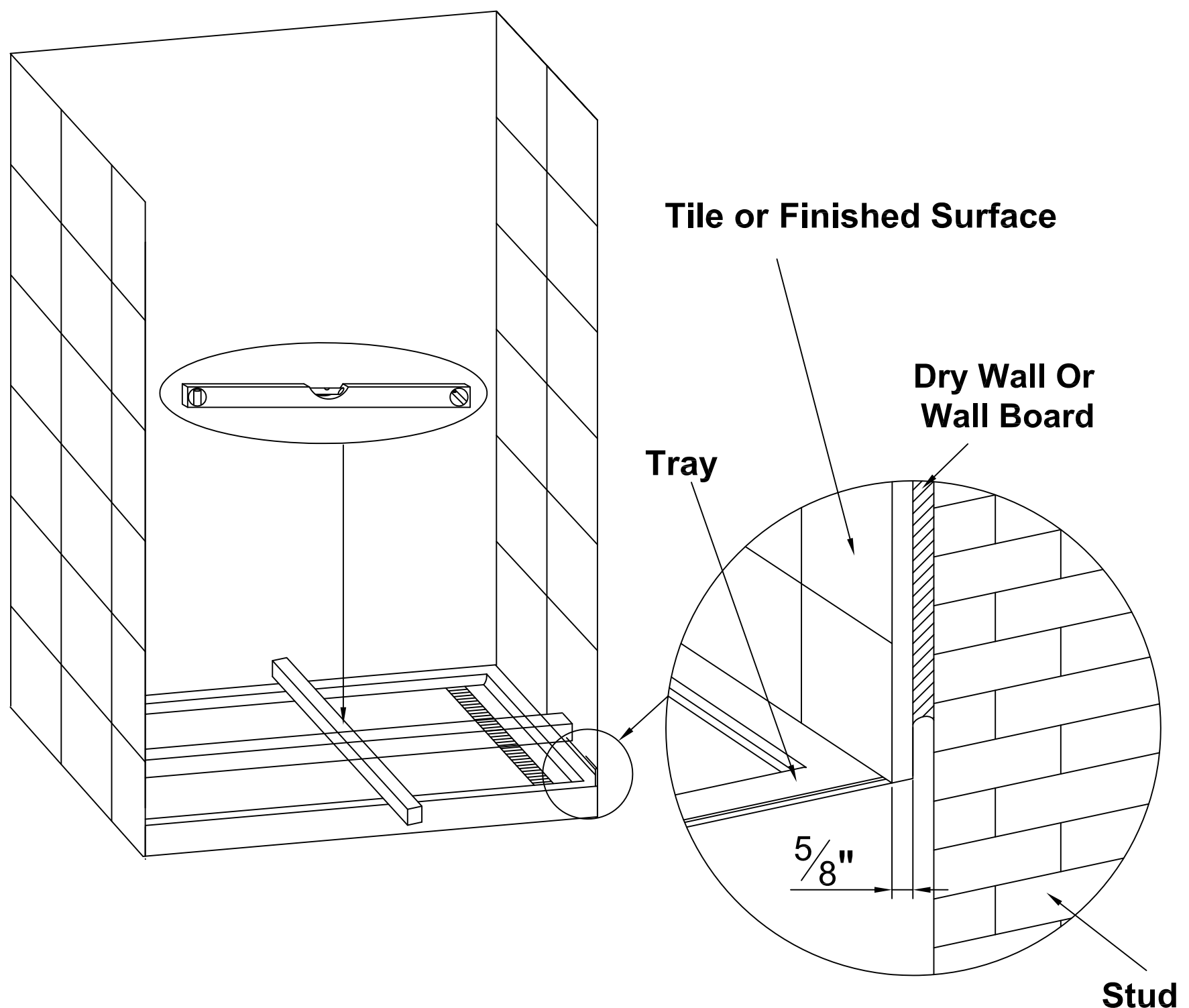


**Miter saw or Hacksaw**



Locate the accessory box and remove the individual screw and hardware packages. Lay them out in sequential order to aid in completing the rest of the installation.

# Preparation of base for installation of shower tray



**WARNING: THE Aston shower door and tray are designed to be used with tile walls. If you are using a pre-made Acrylic/ABS/FRP shower stall that will be thicker than average wall board plus tile then you must consider the offset of the pre-made panel. The shower tray has 1/4" of tolerance for over sized wall thickness.**

The shower tray needs to sit on a flat level base for proper support. Ensure that the area for the shower tray is properly prepared for installation.

Using the drawing provided, place the floor drain in the proper location so that the shower tray drain and the floor drain are in line after final installation.

Place the shower tray in the final installation position line up the drain holes and check for level. If not level make adjustments to the floor at this time.

This can be accomplished by leveling the subfloor by use of Shims, Leveling compound or placing the shower tray into a mortar base

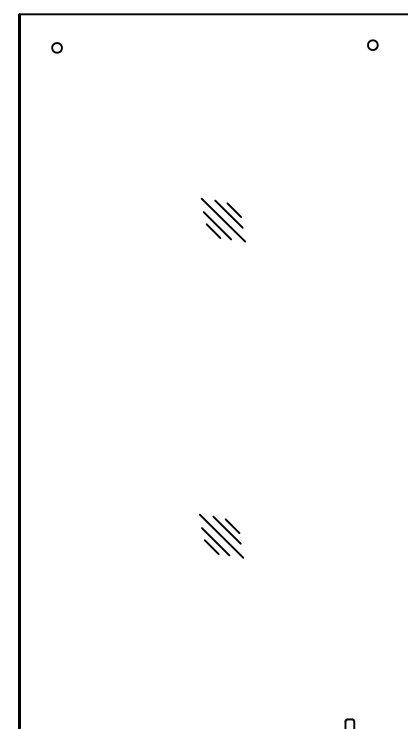
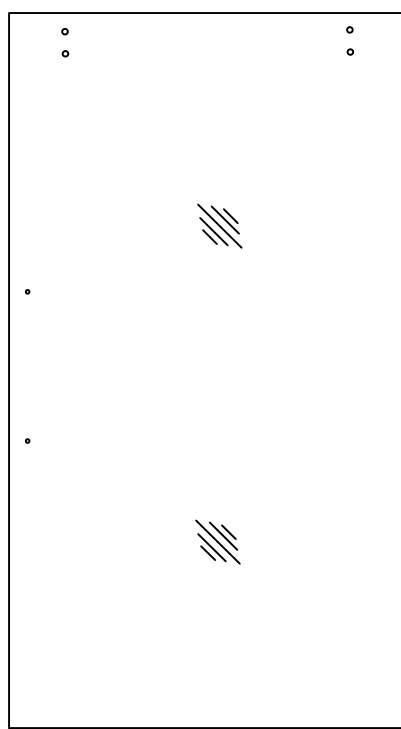
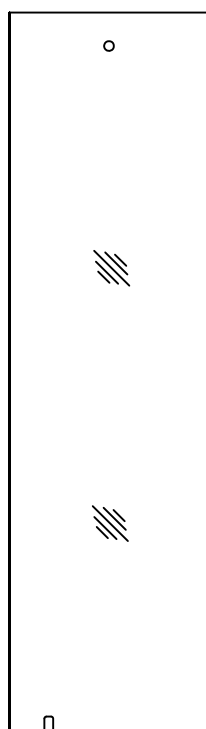
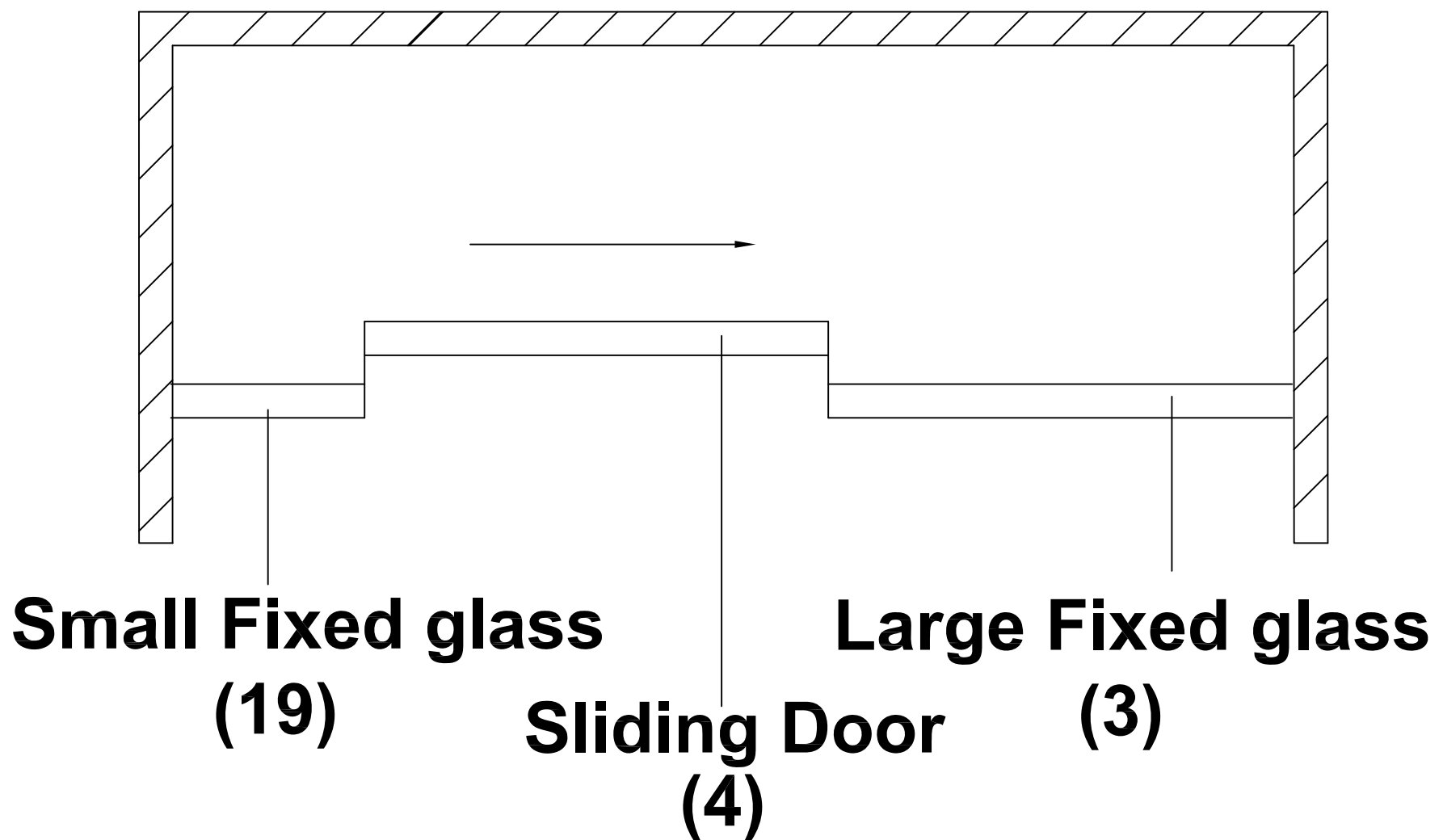
The shower tray must be installed so that the tile lip is against the wall studs. It is recommended that the tray is attached to the studs using screws.

**IMPORTANT: If you are using screws to secure the tray to the studs it is recommended that you pilot drill the screw location as to prevent the acrylic tray from chipping or cracking.**

# Reverse Door opening

This shower door can be assembled so that the sliding door opens from Left to Right, or Right to Left. The drawings below illustrate the shower door opening from Left to Right.

Note the location of the fixed glass panel for the shower door opening from Left to Right.



If you wish to install the door opens from Right to Left. Flip the top rail installation so that the Large Fixed Glass (3) is on the left and Small Fixed Glass (19) is on the right when installed.



# Shower Door Installation

1. Measure the width of the shower opening at the top between the 2 walls. Note this is dimension "X".

See Fig.1 for details.

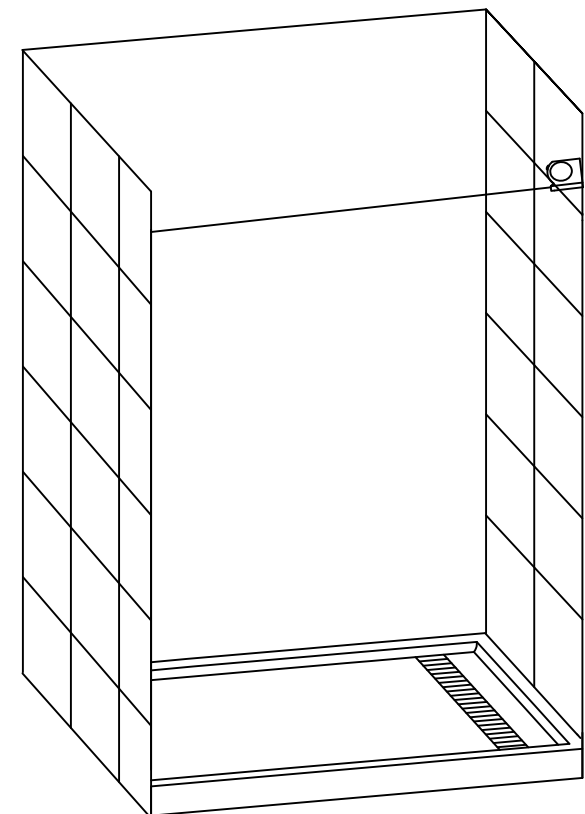
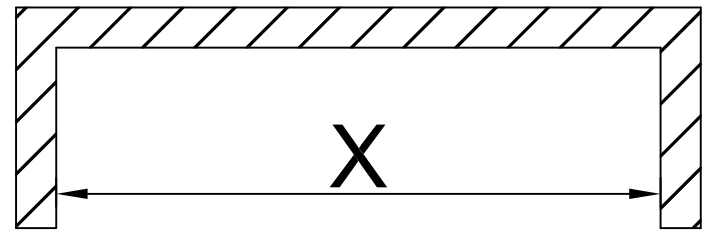


Fig. 1

2. The following equation is used to determine the length to be cut from the rail in order to fit the shower opening.

$$Y = X - \frac{5}{8}''$$

Measure distance "Y" from the end of the Top Rail (2) with mounting holes and mark the rail.

Using a Hack saw or Jig saw cut the Top Rail (2) at the mark. Carefully remove any burrs or sharp edges remaining on Top Rail (2) after the cutting.

Note: Do not cut the end of top rail with two (2) holes. Only cut the end of top rail opposite the two (2) holes.

See Fig.2 for details.

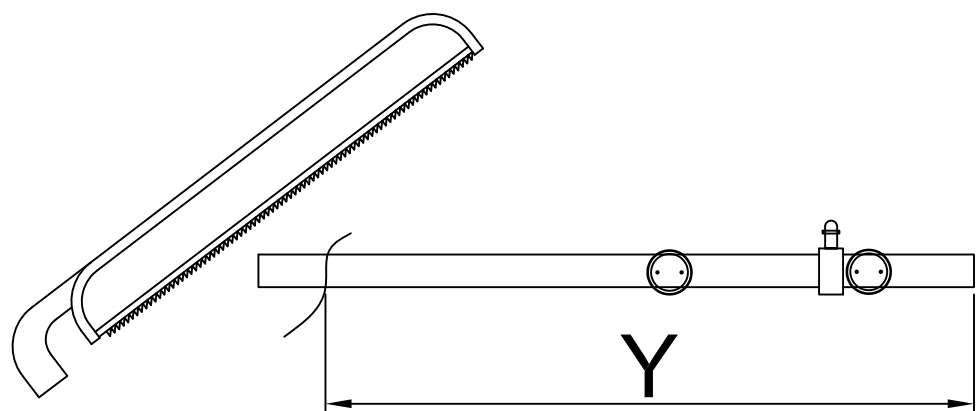


Fig. 2

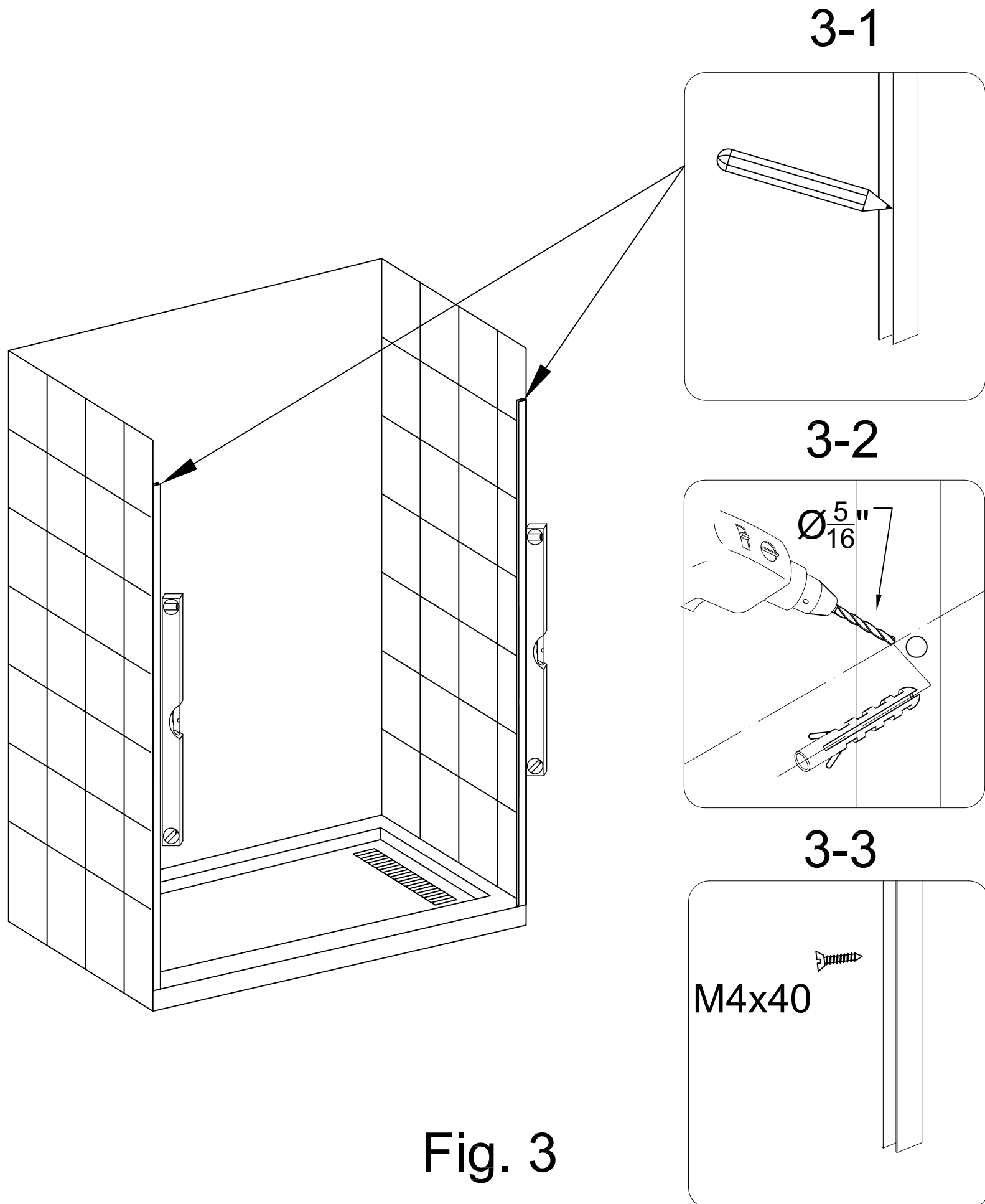


Fig. 3

**NOTE:**

Please check with a level and be sure that the Vertical channel is absolutely plumb.

3-1. Mark the position on the wall channel.

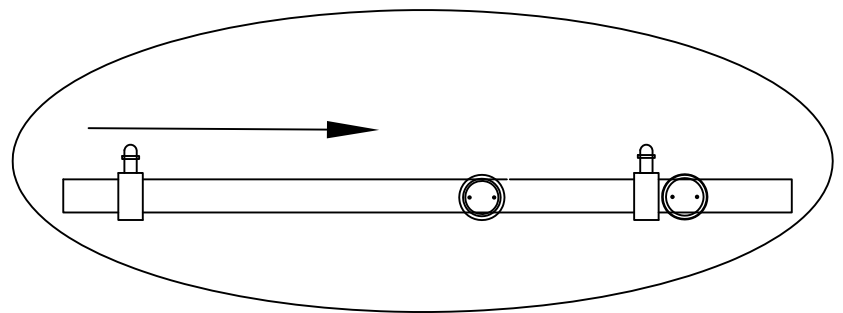
3-2. Using the appropriate drill bit for your wall surface drill each hole location with a  $\frac{5}{16}$ " diameter drill bit.

Install the plastic Wall Anchors provided into the drilled holes on wall surface.

3-3. Install the Vertical channel(7) to the wall using M4x40 Screws.

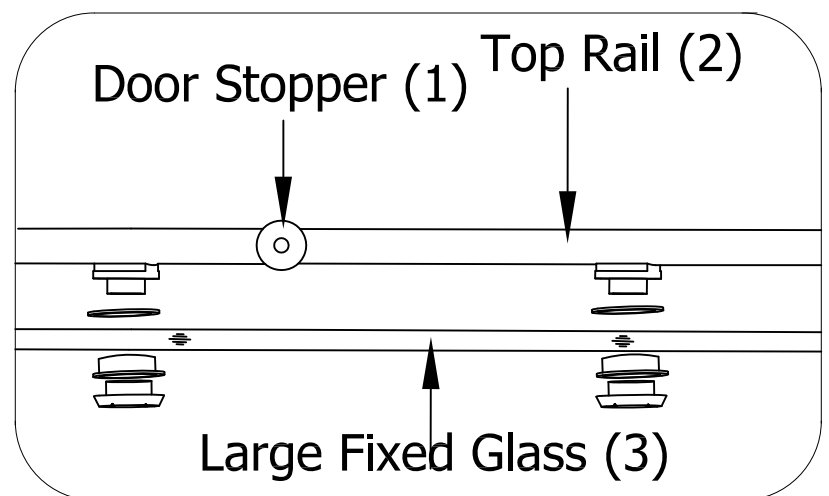
**ATTENTION: A minimum of two people are required for the next assembly steps.**

- Slide Door Stopper (1) onto end of Top Rail (2). The bumpers on Door Stopper (1) should be positioned on the top of Top Rail (2) for final installation. Note: One door stopper comes pre-assembled on top rail between fixed glass bolt assembly. See Fig.4 for details.



**Fig. 4**

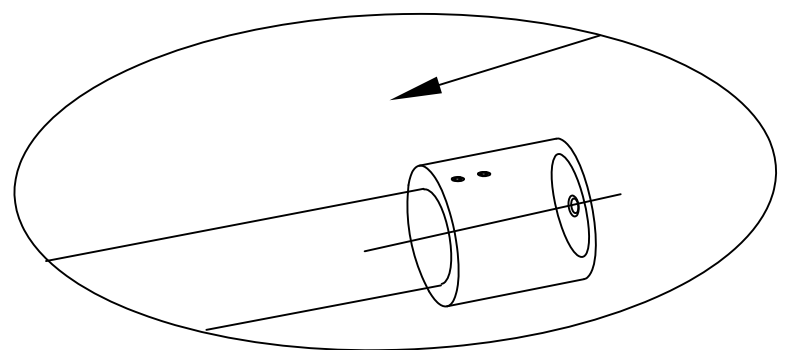
- Position the Top Rail (2) and Large Fixed Glass (3) as shown in Fig.5 and connect Large Fixed Glass (3) to Top Rail (2) following the assembly sequence shown in Fig.5. Note in Fig.5, one Door Stopper (1) should be positioned between mounting holes in Top Rail (2) before connecting Top Rail to Large Fixed Glass.



**Fig. 5**

**NOTE: TOP RAIL IS ATTACHED TO THE INSIDE OF FIXED GLASS.**

- Slide the Rail End Assembly (5) (6) on to end of Top Rail (2) to be connected shower wall. Loosely tighten the Rail End Assembly (5) into place on Top Rail (2) making sure the rail end assembly is fully engaged on top rail. Repeat for the other side. See Fig.6 for details.



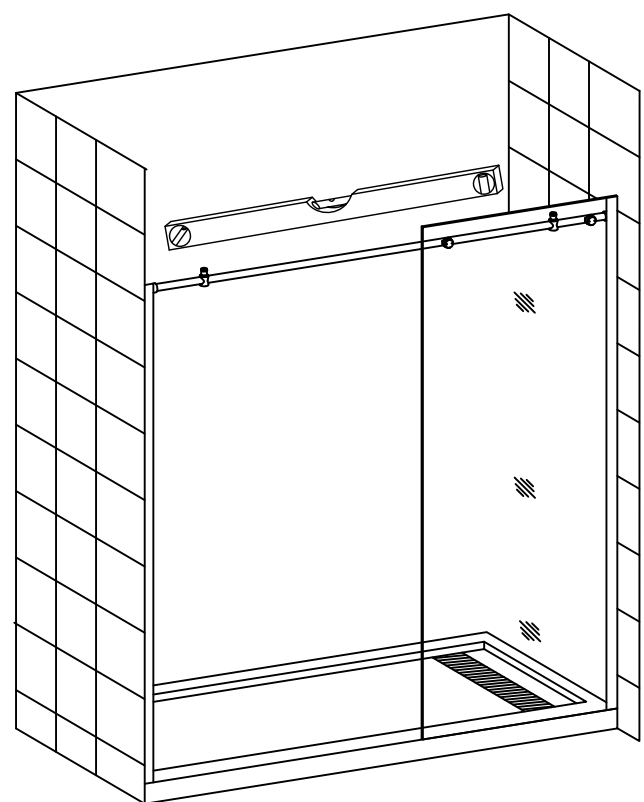
**Fig. 6**

- Position the top rail fixed glass assembly into place in your shower, fixed glass into the Vertical channel.

**NOTE: THE TOP RAIL ATTACHED TO FIXED GLASS SHOULD BE POSITIONED TO INSIDE OF SHOWER.**

Using a level, verify the Top Rail (2) is horizontal and the Large Fixed Glass (3) is plumb.

See Fig.7 for details.



**Fig. 7**

- Using a pencil, mark the rail ends onto the wall.

See fig.8 for details.

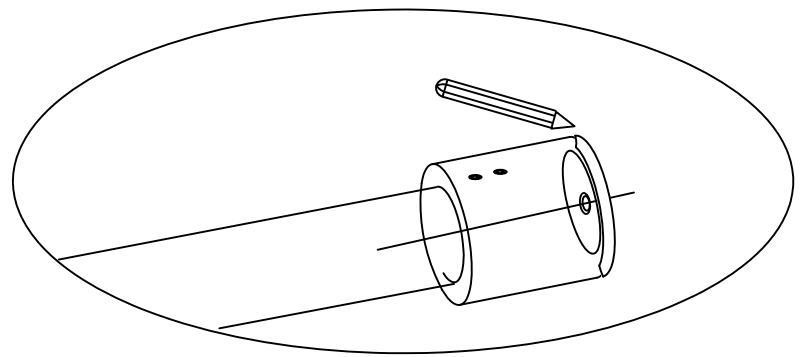


Fig. 8

- Loosen set screws in both Rail Ends (5) and remove from Top Rail (2).

Next remove Wall Mounts (6) from both Rail Ends (6). Position Wall Mounts (6) onto marked location on shower wall and mark pilot hole drilling location.

**NOTE: If your surface is prone to cracking or chipping then it is recommended that you pilot drill first using a smaller drill bit, and then step up to the final size.**

Using the appropriate drill bit for your wall surface drill the hole locations with a 5/16" diameter drill bit. Install the plastic anchors provided into the drilled holes.

Repeat for the other side.

Attach Wall Mounts (6) to wall using M5X40 screws from Screw Pack 1. Repeat the installation of wall mounts for other side.

See Fig.9 for details.

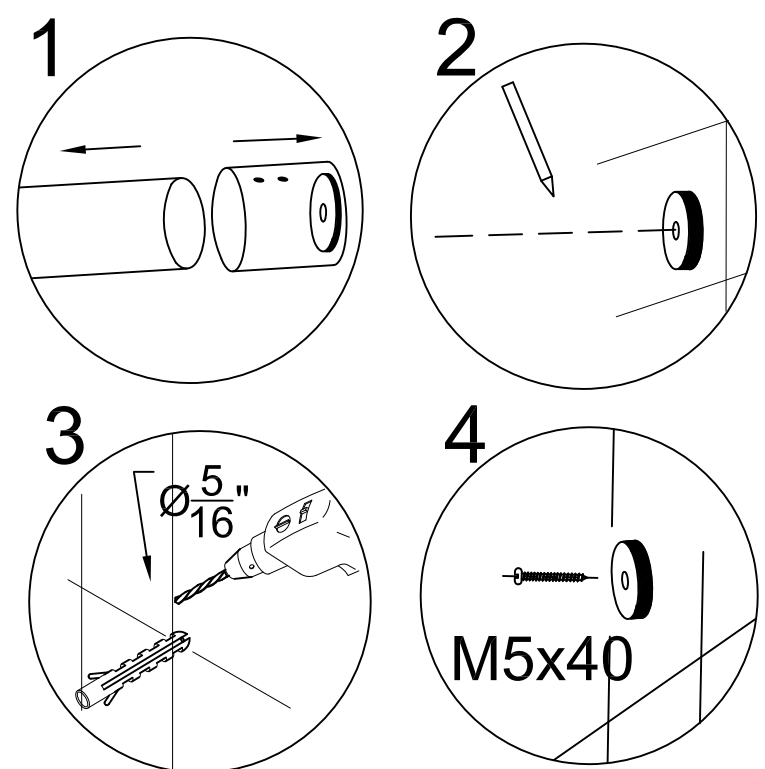
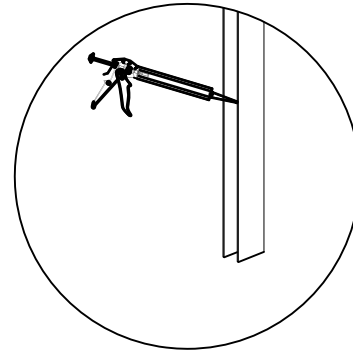


Fig. 9

10. Set properly check for level and plumb and then apply a small neat bead of 100% clear silicone to the inside bottom of the Vertical channel .

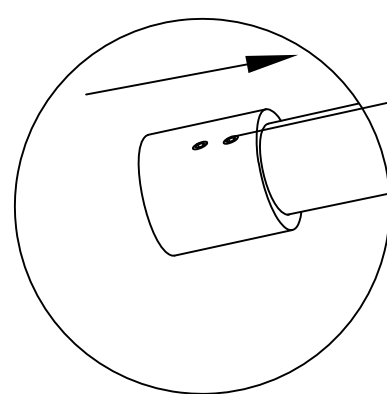
See figure 10 for details.



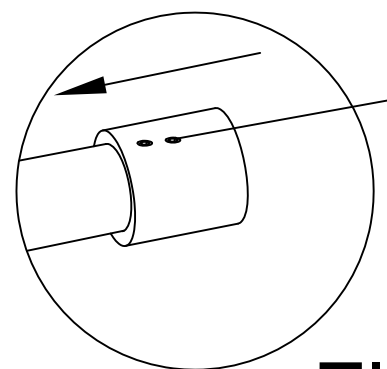
**Fig. 10**

11. Slide Rail Ends (5) onto Top Rail (2) and loosely tighten into place. Note: The set screws in rail end are not centered, and one of rail end is threaded. The Rail Ends (5) should be installed on Top Rail (2) so that threaded end of Rail End (5) is facing outward.

See figure 11 for details.



The set screw locations in rail end are not centered. Assemble per drawing.



The set screw locations in rail end are not centered. Assemble per drawing.

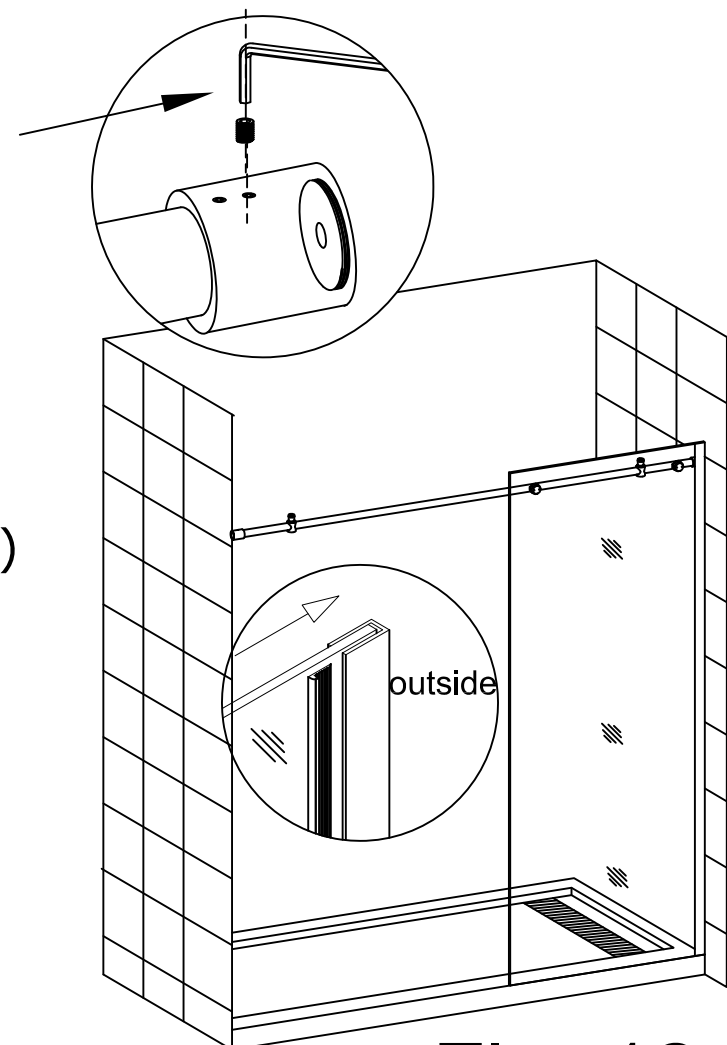
**Fig. 11**

12. Position the top rail/ fixed glass assembly into your shower opening. Loosen set screws in Rail End (5). Next screw Rail End (5) onto Wall Mount (6) and tighten.

Repeat on other side.

Install U-channel Seal (21) to Fixed Glass (3)

See Fig.12 for details.



**Fig. 12**

14. Remove the set screw from the back of Small Fixed Glass Bolt Assembly (20).

Place the Small Fixed Glass Bolt Assembly (20) on the top rail between the Rail end (5) and Door stopper (1).

Loosely tighten the set screw.

See Fig.14 for details.

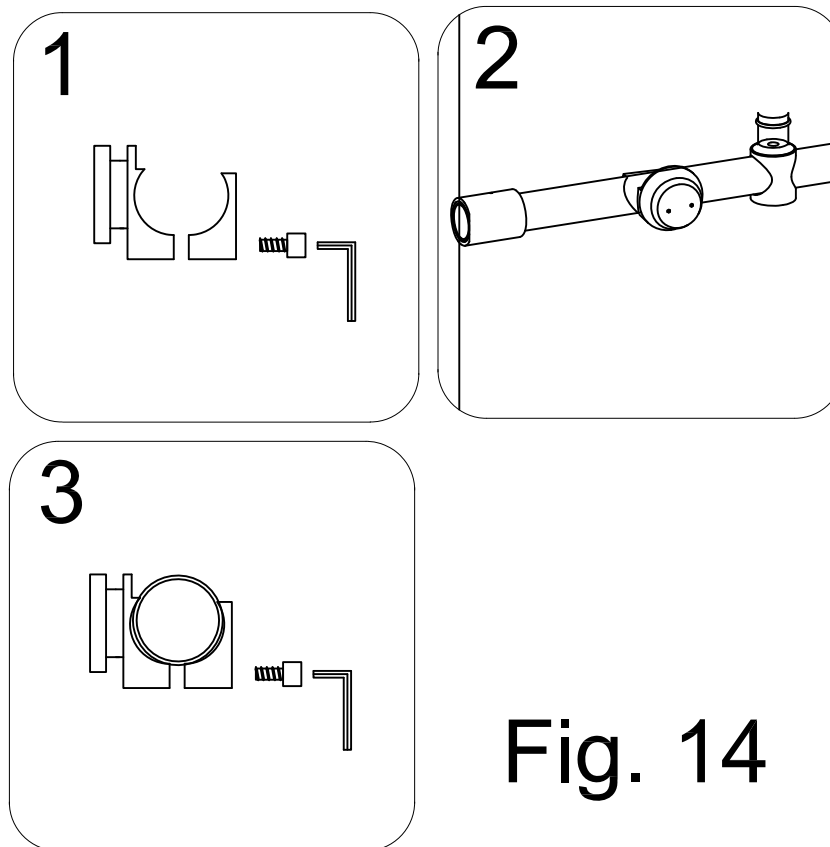


Fig. 14

15. Remove the threaded cap from Fixed Glass Bolt Assembly(20).

Position the Small Fixed Glass (19) in place against shower wall. Slide Small Fixed Glass Bolt Assembly (20) on Top Rail (2) to align with mounting hole in Small Fixed Glass (19).

Secure the Small Fixed Glass (19) to Small Fixed Glass Bolt Assembly following steps 1-4 in Fig.15.

Tighten the set screw at the back side of Small Fixed Glass Bolt Assembly (20).

Install U-channel Seal (21) to the Small Fixed Glass (19)

See Fig.15 for details.

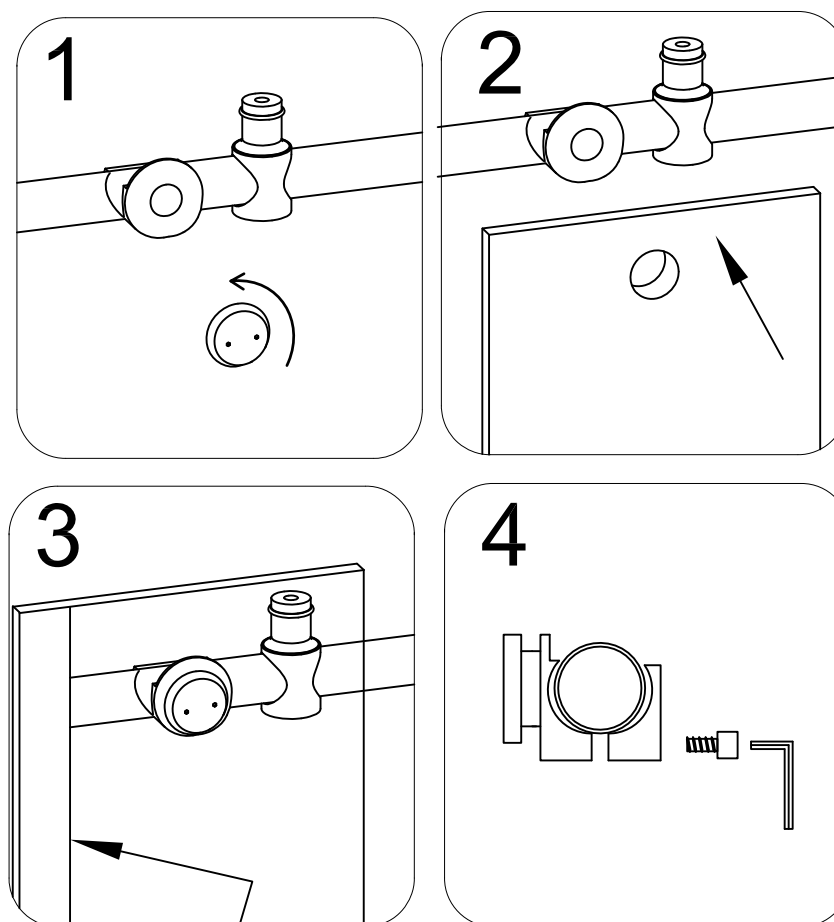
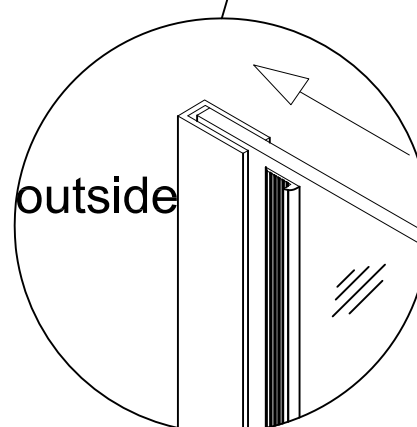


Fig. 15



16. Insure plastic sliding door glide is in place in underside of Sliding Door Track Divider (8) and positioned to proper location for 10mm glass thickness.

See Fig.16 for details.

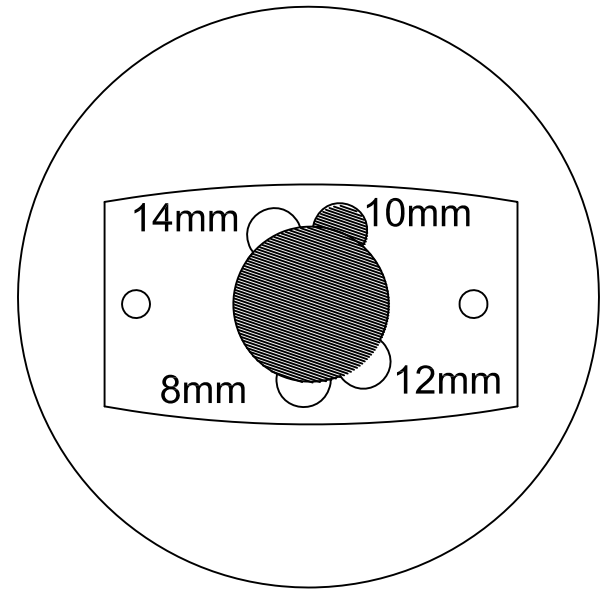


Fig. 16

17. Position the Sliding Door Track Divider (8) into position as seen in Fig.17 and mark the 2 shower base hole positions.

**Note:** In Fig.21 the hole locations for attaching sliding door track divider should be 1 13/16" from edge of Large Fixed Glass (3).

See Fig.17 for details.

**NOTE:** If your surface is prone to cracking or chipping then it is recommended that you pilot drill first using a smaller drill bit, and then step up to the final size.

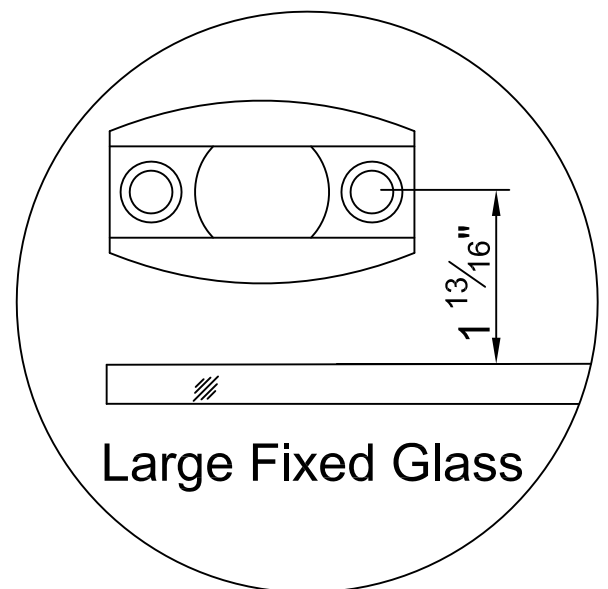


Fig. 17

18. Using the appropriate drill bit for your tray surface drill hole locations with 1/8" diameter drill bit. Position the Sliding Door Track Divider (8) over drilled holes, and secure Sliding Door Track Divider (8) to tray using hardware in screw pack 2.

See Fig.18 for details.

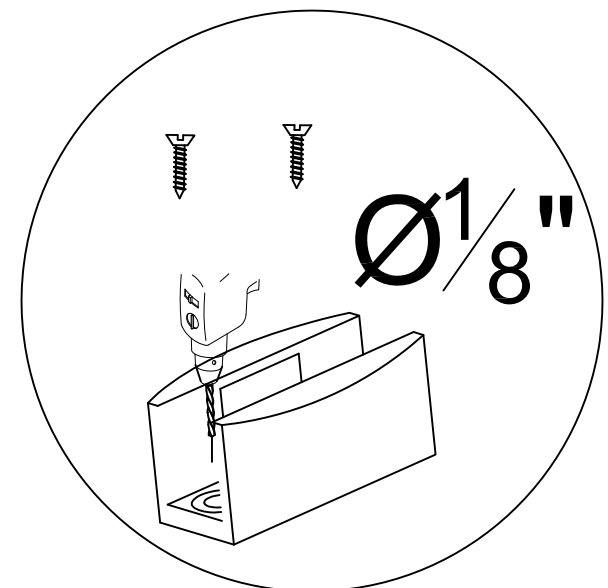


Fig. 18

19. Assemble the Upper Roller Assemblies (9) onto Sliding Door (4).

Note: The door handle mounting holes should be positioned to left. The Upper Roller Assemblies (9) will be on the outside of Sliding Door (4). The sliding door should be to the inside of shower area.

See Fig.19 for details.

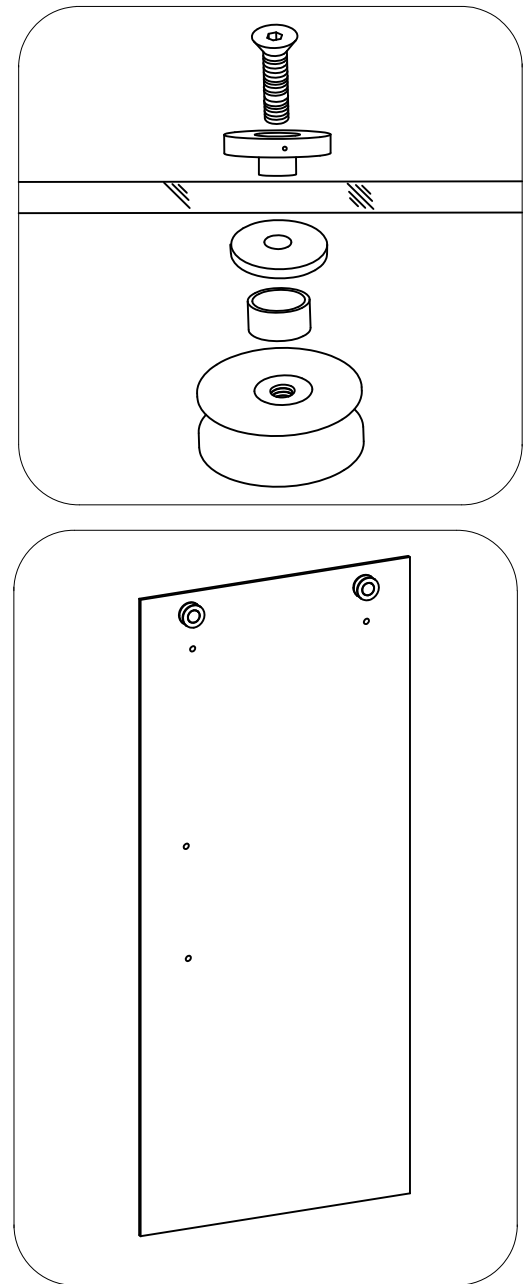


Fig. 19

20. Suspend the Sliding Door (4) on the Top Rail (2). Slide the bottom edge of Sliding Door (4) into the groove of the Sliding Door Track Divider (8). Adjust the upper Roller Assemblies (9) to insure the bottom edge of Sliding Door (4) does not touch the bottom Sliding Door Track Divider (8).

See Fig.20 for details.

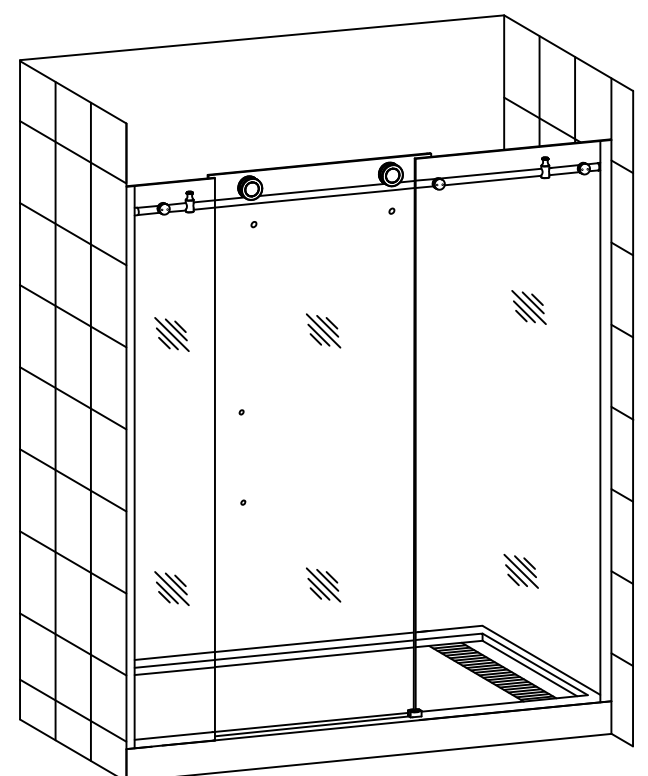


Fig. 20



21. The rollers for this unit have a built in cam adjustment to adjust the plumb of sliding door.

Locate the small hole in outside edge of roller assembly and insert a small hex wrench into hole opening.

Next using the hex wrench for roller assembly slightly loosen the roller wheel assembly.

Now holding the hex wrench in place rotate the outer edge of roller assembly using the small hex wrench inserted into small hole opening in outer edge of roller assembly. This will move the roller cam to offset any minor adjustments for sliding door out of plumb. All 4 rollers on this unit can be adjusted as describe above.

See Fig.21 for details.

22. Install the bottom Roller Assemblies (9) on the Sliding Door (4) to secure the Sliding Door (4) to Top Rail (2). Adjust the bottom Roller Assemblies (9) to a gap of  $1/32$ ". This gap is a starting gap, check that the sliding door rolls smoothly along the top rail. Make adjustments if needed.

See Fig.22 & Fig.23 for details.

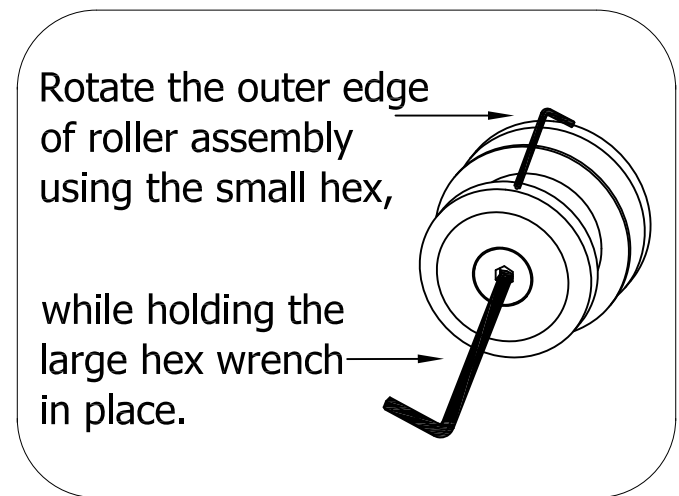


Fig. 21

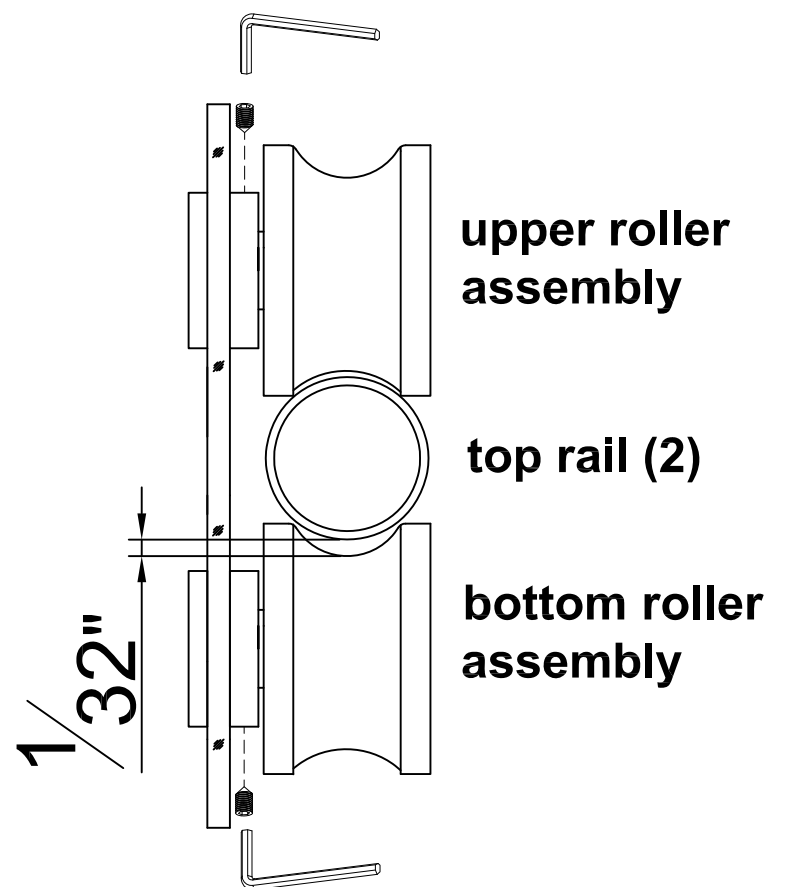


Fig. 22

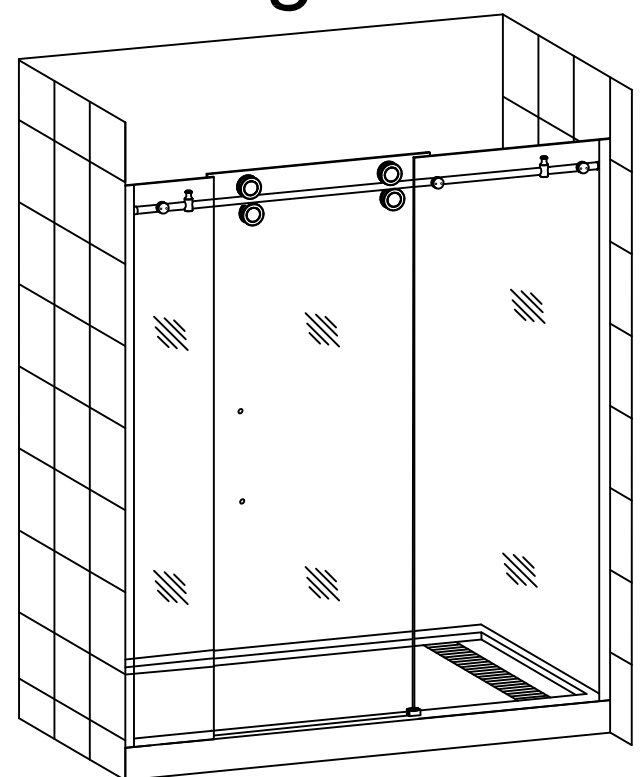


Fig. 23

24. The Door Threshold is used to prevent water from seeping out while bathing. Install the threshold according to these instructions.

Measure the distance between the Small Fixed glass (19) and the Large Fixed Glass (3). See Fig.24 for details.

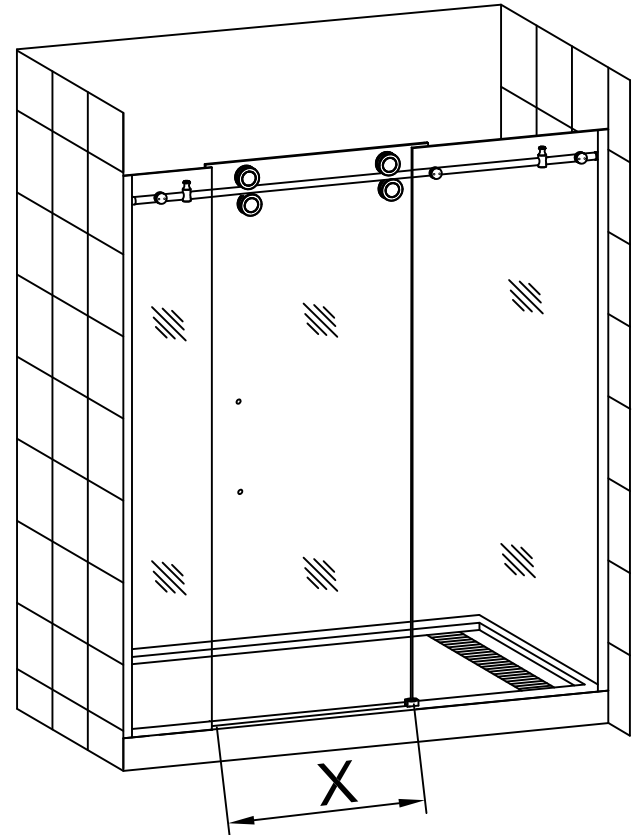


Fig.24

Using a hacksaw cut the Door Threshold bar (11) to fit distance measured between the large fixed glass and small fixed glass. Remove any sharp edges or burrs after cutting Door Threshold bar (11). See Fig.25 for details.

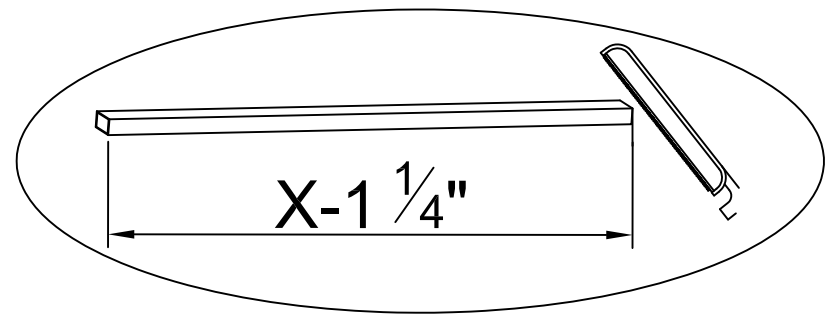


Fig.25

Position the Door Threshold bar (11) to shower tray by aligning in door opening with fixed glass. Mark the Threshold End Cap (12) mounting hole locations. See Fig.26 for details.

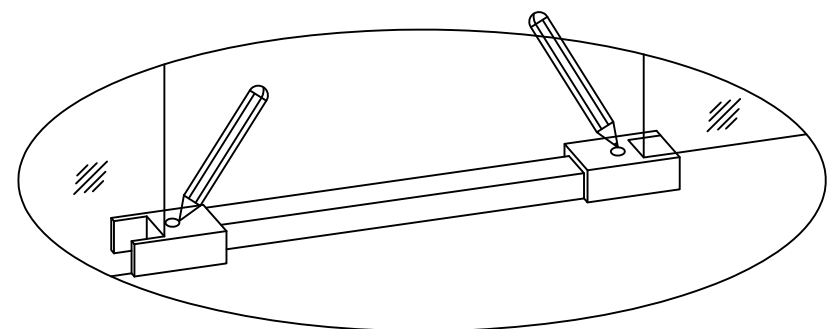


Fig.26

Using the appropriate drill bit for your tray surface drill the hole locations with a  $\frac{1}{8}''$  diameter drill bit. See Fig.27 for details.

**NOTE: If your surface is prone to cracking or chipping then it is recommended that you pilot drill first using a smaller drill bit, and then step up to the final size.**

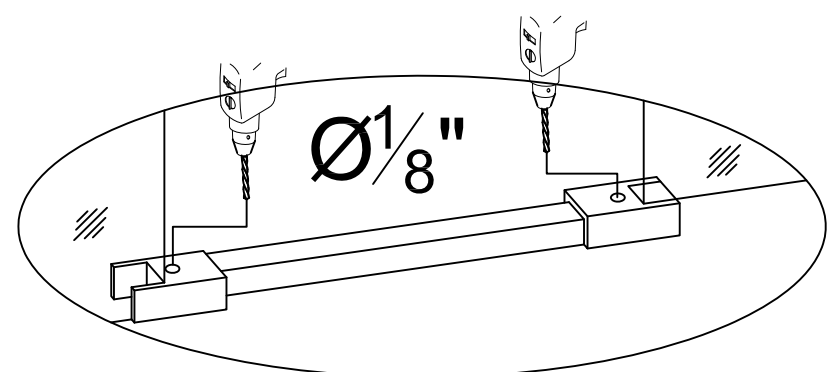
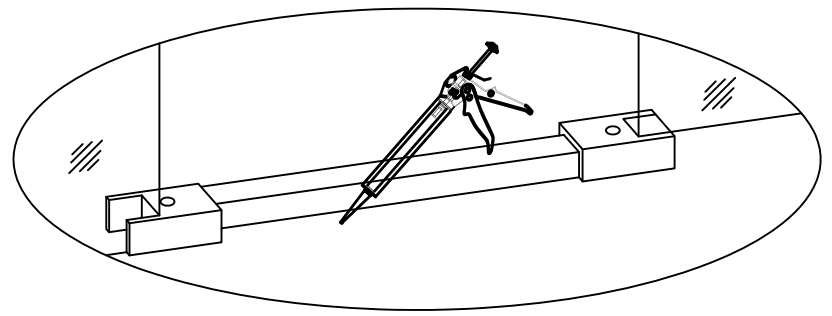


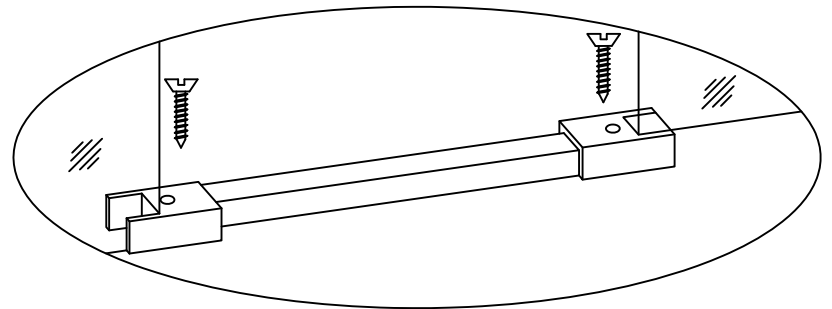
Fig.27

Add a small amount of silicone sealant to bottom of threshold bar assembly place into position. See Fig.28 for details.



**Fig.28**

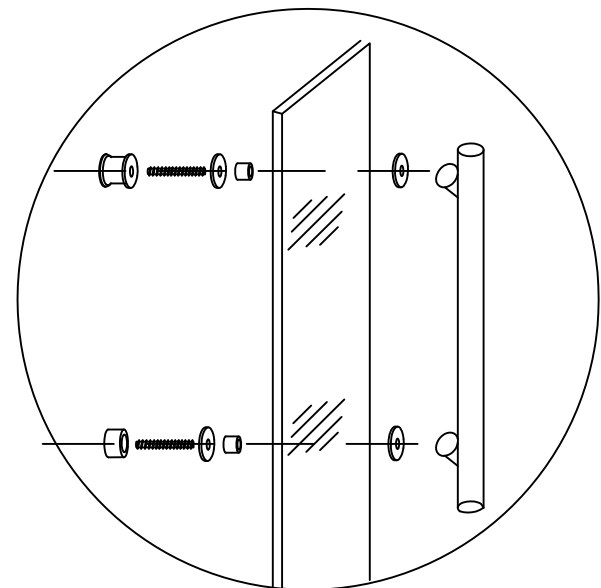
Using the hardware from screw pack 3 install the threshold bar assembly. Install the decorative screw plug covers into Threshold End Caps (12). See Fig.29for details.



**Fig.29**

25.Install the Door Handle (15) using hardware provided.

See Fig.30 for details.

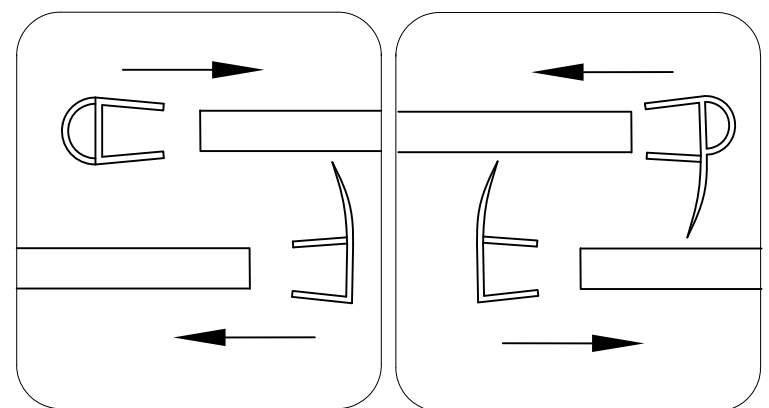


**Fig.30**

26.Press the Bumper Strip (13) on the vertical edge of Sliding Door (4) and press the Anti-water Strip (14) on the vertical edges of the Small Fixed Glass (19).

Press the Anti-water Strip (14) on the vertical edges of the Large Fixed Glass (3) and the Sliding Door (4).

See Fig.31 for details.



**Fig. 31**

27. Adjust both Door Stoppers (1) to ensure that they are positioned upright and the Glass Door (4) is in its maximum opening and closing range.

Tighten the set screws to fasten them in place.

See Fig.32 for details.

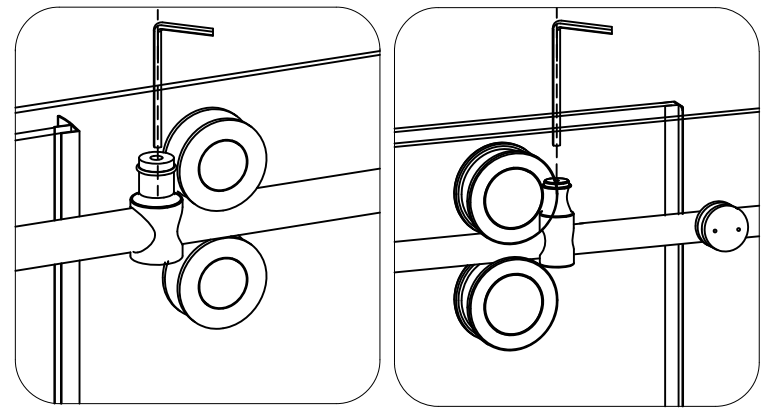


Fig. 32

28. Using Bath & Kitchen silicone sealant, seal the Large Fixed Glass (3) and Small Fixed Glass (19) along bottom edge on shower base, and side edge along shower wall. Next seal around Sliding Door Track Divider (8).

See Fig.33 for details.

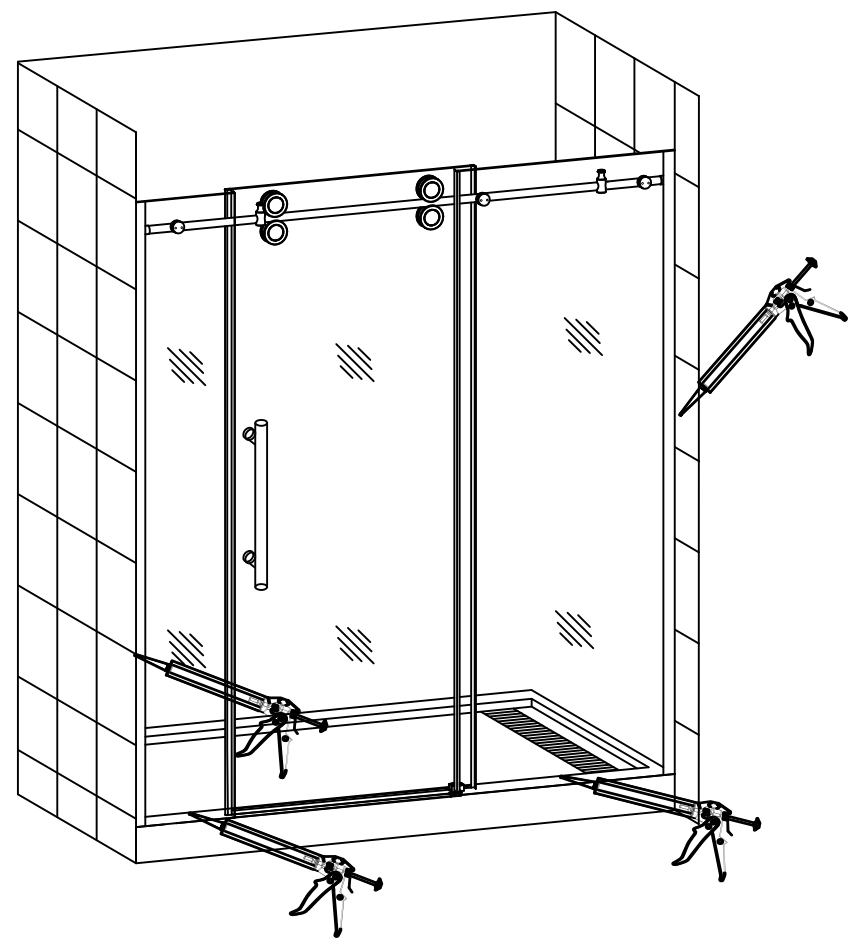


Fig. 33

# Care and Maintenance

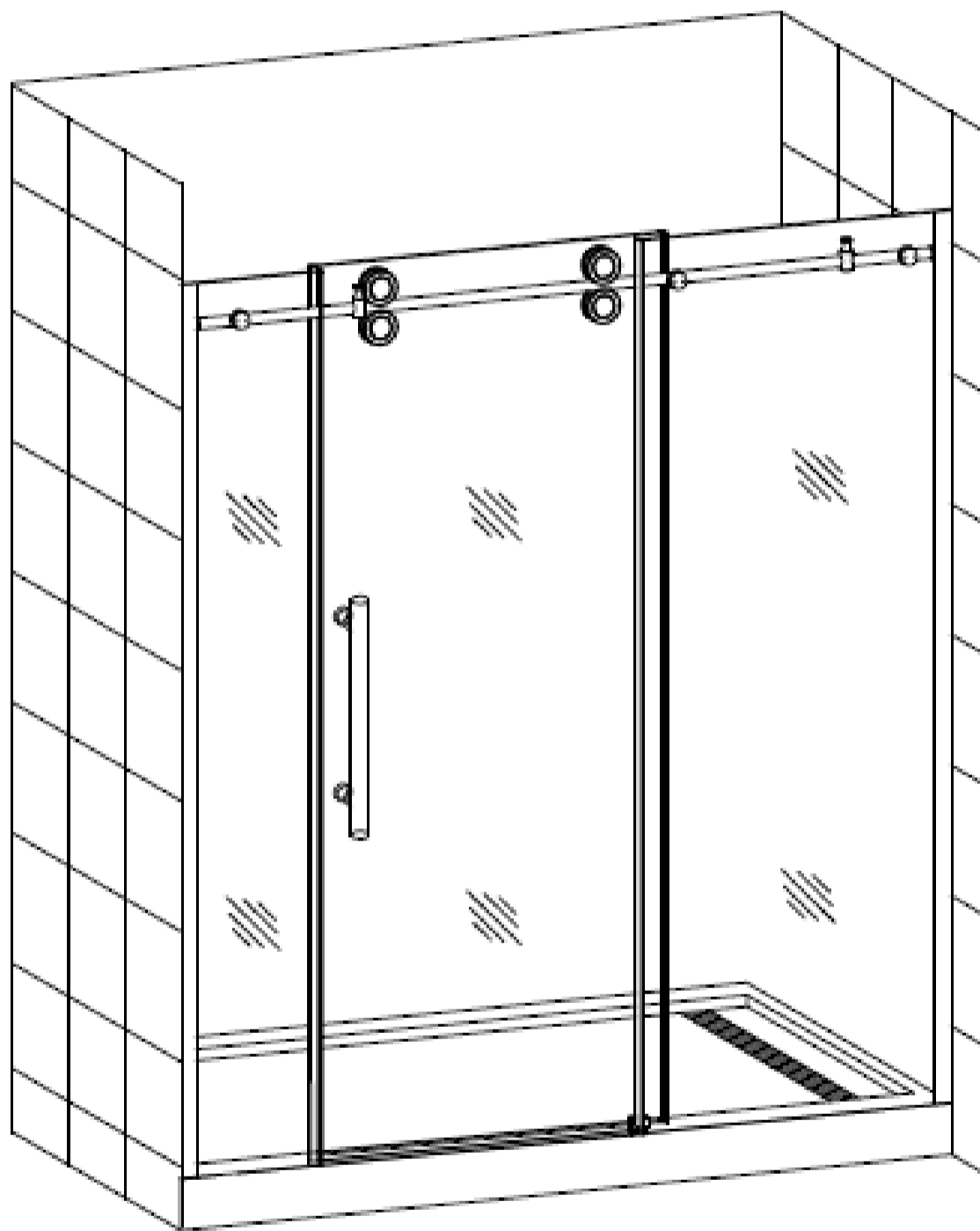
As with any other luxury item, maintenance and care are critical to the long lasting quality and enjoyment of your shower door and tray. The proper care and maintenance outlined in this section are necessary to ensure the longevity of the unit. Damage caused by not following the care and maintenance guidelines in this section is not covered under the manufacturer's warranty.

The glass doors and panels can be cleaned using any commercially available glass cleaner.

We recommend that you clean the glass daily and squeegee the glass with a silicone or rubber squeegee after each use to help prevent water spots.

# Durin

## MANUEL D'INSTALLATION ET D'UTILISATION



**Porte de douche Numéro de  
modèle :**

**HORIZON  
TU-SD-978-72  
TU-SB-978-72-35-R**

Veillez lire attentivement ces instructions avant de commencer à installer les produits.

# Avant de commencer

Nous vous remercions d'avoir acheté votre porte de douche. Nous espérons qu'elle vous procurera des années d'utilisation et de plaisir satisfaisants.

Veuillez lire attentivement ce manuel car il contient des informations et des instructions concernant l'installation correcte de l'appareil. Si vous ne respectez pas certaines conditions d'installation et d'entretien, votre garantie peut être affectée.

1. REMARQUE : Vous devez consulter les codes du bâtiment locaux pour toute question relative aux normes de conformité de l'installation. Les codes de plomberie et de construction varient selon les endroits.
2. Avant l'installation, inspectez les surfaces d'installation ou le niveau et ont à la force pour soutenir le poids lourd de cet assemblage de porte de douche. Cette porte de douche ne doit être installée qu'en utilisant le point de connexion aux montants ou aux des renforts en bois 2x6 préinstallés derrière le mur.
3. Cet ensemble de portes de douche est très lourd et nécessite une installation professionnelle.

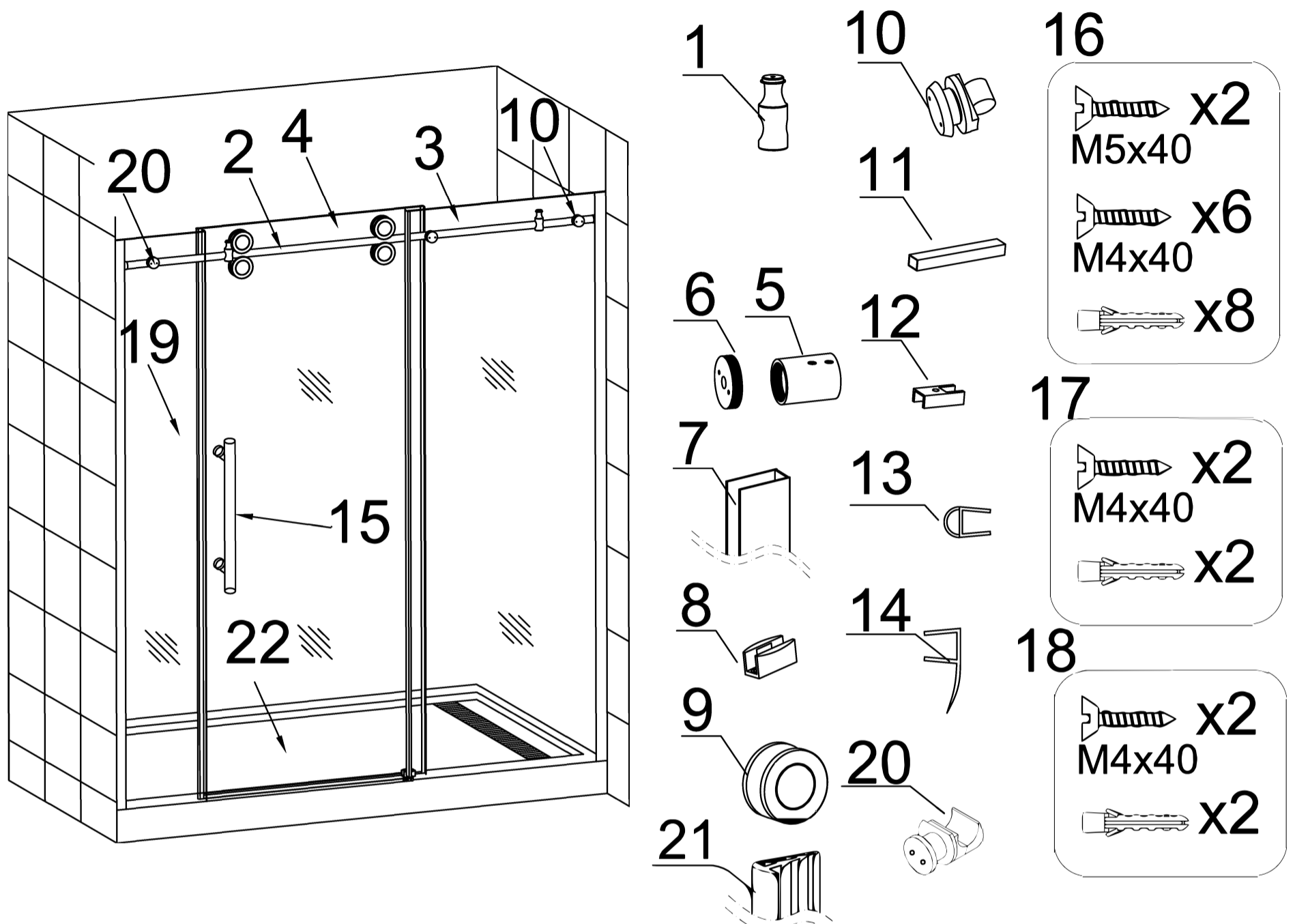
Caractéristiques de la porte de douche :

- Verre de sécurité trempé
- Matériel de haute qualité
- Facile d'entretien, durable, renforcé par de la fibre de verre et de l'acrylique.

## **AVERTISSEMENT :**

**La porte de douche est conçue pour être utilisée avec des murs carrelés. Si vous utilisez une cabine de douche préfabriquée en acrylique/ABS/FRP qui sera plus épaisse que la moyenne plus carrelage, vous devez alors tenir compte du décalage de l'épaisseur du panneau préfabriqué. Le cas échéant, le bac à douche a une tolérance de 1/4" pour l'épaisseur surdimensionnée du mur.**

# Diagramme détaillé des composants de la porte de douche

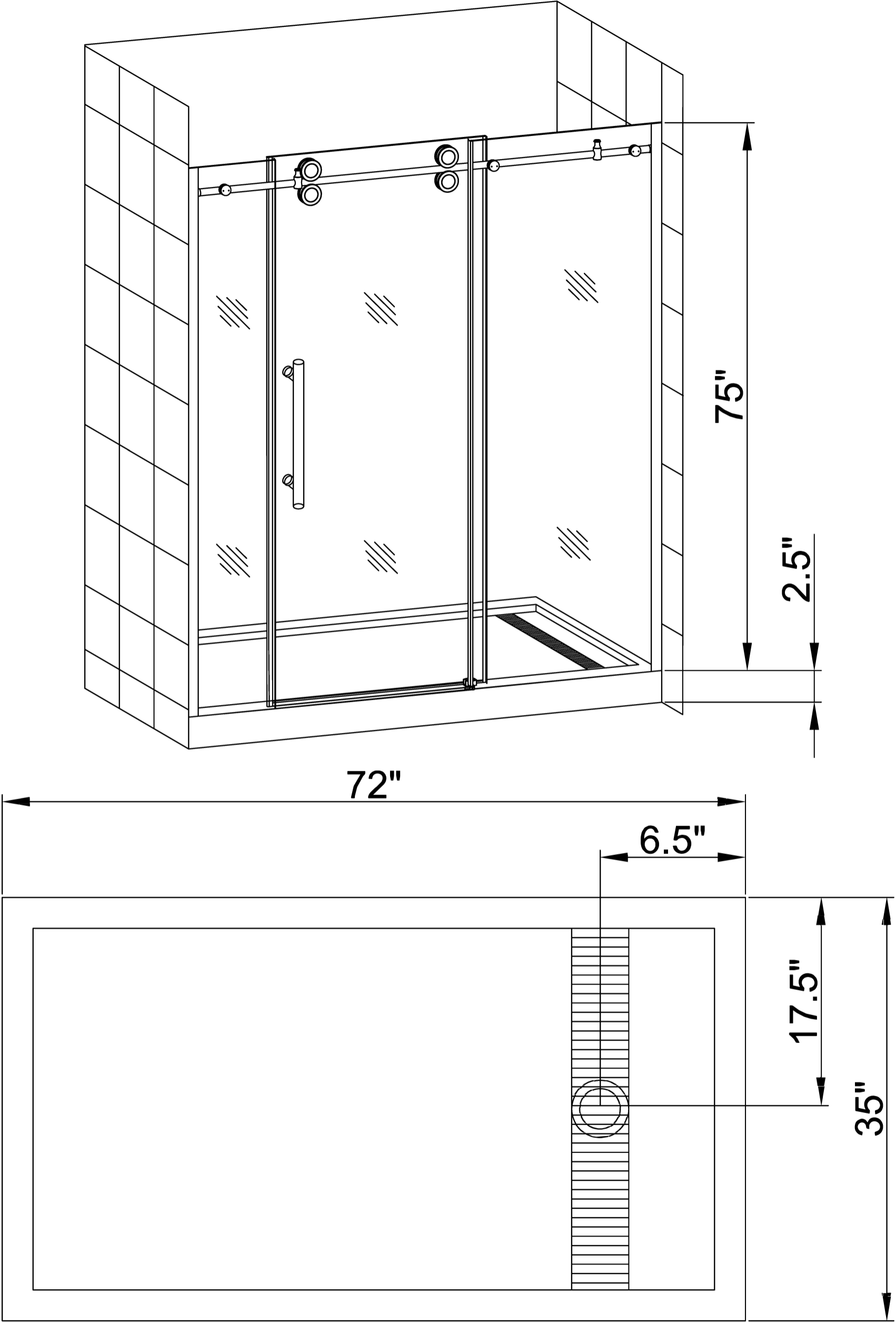


Numéro	Description	QTÉ	Numéro	Description	QTÉ
1	Blocage de porte	2	12	Embout de seuil de porte	2
2	Rail supérieur	1	13	Bande de pare-chocs	1
3	Grande vitre fixe	1	14	Bande d'étanchéité	3
4	Porte coulissante	1	15	Poignée de porte	1
5	Fin de rail	2	16	Paquet de vis 1	1
6	Montant mural	2	17	Paquet de vis 2	1
7	Canal vertical	2	18	Paquet de vis 3	1
8	Diviseur de rail pour porte coulissante	1	19	Petit verre fixe	1
9	Assemblage du rouleau	4	20	Petit assemblage de boulons de verre fixe	1
10	Assemblage de boulons de verre fixe	2	21	Sceau U-channel	2
11	Seuil de la porte	1	22	Bac à douche	1

**VEUILLEZ NOTER :** Pendant le déballage, inspectez soigneusement toutes les pièces et utilisez la vue éclatée pour identifier toutes les pièces dans la liste des pièces. Avant de jeter l'emballage, vérifiez si des pièces ou des petits sacs de matériel ont été oubliés.



# PIÈCES FOURNIES

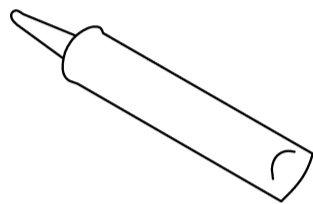


# Guide d'installation

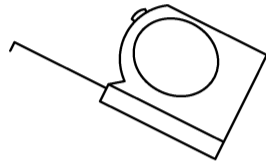
Veillez lire et suivre les instructions et directives d'installation de cette section. Si vous ne suivez pas les instructions et les techniques d'installation recommandées, vous risquez d'endommager l'appareil ou la zone environnante. Cela peut affecter les demandes de garantie.

**ATTENTION** : Cette unité nécessite un assemblage. Un minimum de deux personnes est nécessaire pour l'assemblage, car plusieurs des sections peuvent être grandes et instables jusqu'à ce qu'elles soient assemblées.

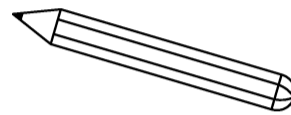
**Vous aurez besoin des outils suivants :**



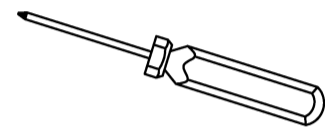
**Calfeutrage**



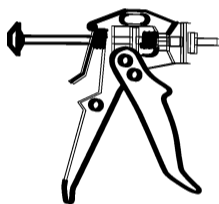
**Mètre ruban**



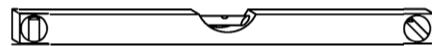
**Crayon**



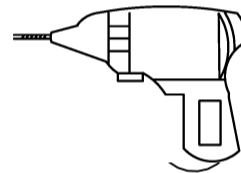
**Tournevis Phillips**



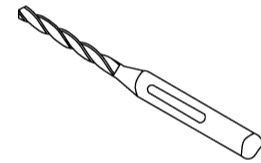
**Pistolet à calfeutrer**



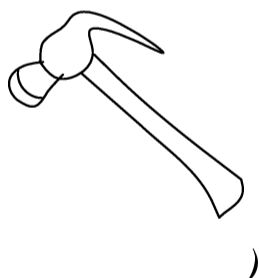
**Niveau**



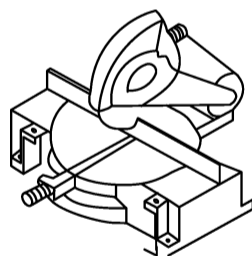
**Perceuse électrique**



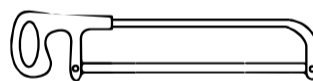
**Mèche (0 1/2" & 3/4S")**



**Marteau**

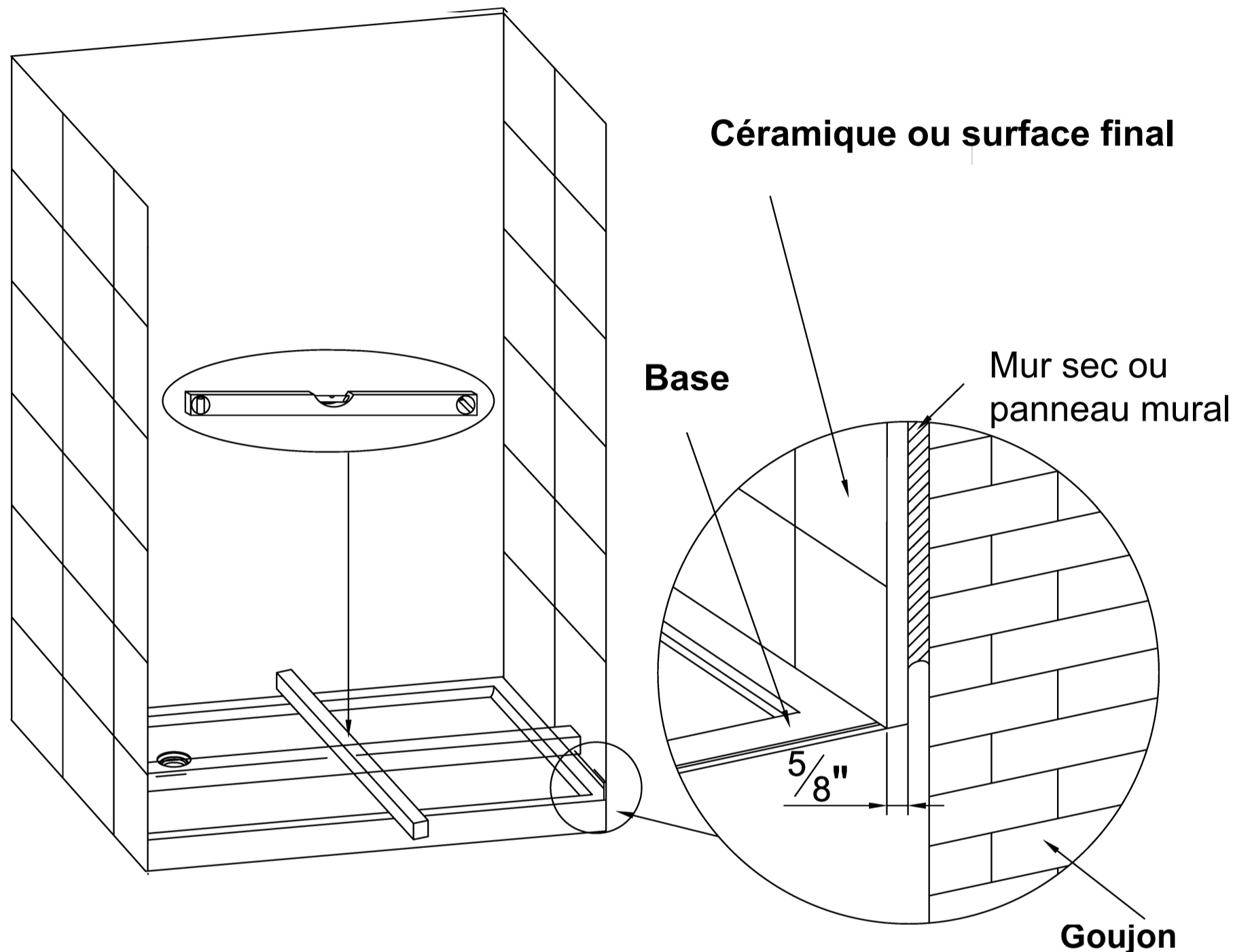


**Scie à onglet ou scie à métaux**



Localisez la boîte d'accessoires et retirez les paquets individuels de vis et de matériel. Disposez-les dans un ordre séquentiel pour vous aider à terminer le reste de l'installation.

# Préparation de la base pour l'installation du receveur de douche



**AVERTISSEMENT :** La porte et le receveur de douche Aston sont conçus pour être utilisés avec des murs carrelés. Si vous utilisez une cabine de douche préfabriquée en acrylique/ABS/FRP qui sera plus épaisse que le panneau mural moyen plus le carrelage, vous devez tenir compte du décalage du panneau préfabriqué. Le bac à douche a une tolérance de 1/4" pour les épaisseurs de mur supérieures.

Le receveur de douche doit reposer sur une base plane et horizontale pour être correctement soutenu. Assurez-vous que l'emplacement du receveur de douche est correctement préparé pour l'installation.

À l'aide du dessin fourni, placez le siphon de sol à l'endroit approprié afin que le siphon du bac à douche et le siphon de sol soient alignés après l'installation finale.

Placez le receveur de douche dans la position d'installation finale, alignez les trous de drainage et vérifiez le niveau. Si ce n'est pas le cas, ajustez le sol conséquemment.

Pour ce faire, on peut niveler le sous-plancher à l'aide de cales, d'un produit de nivellement ou en plaçant le bac à douche dans une base en mortier.

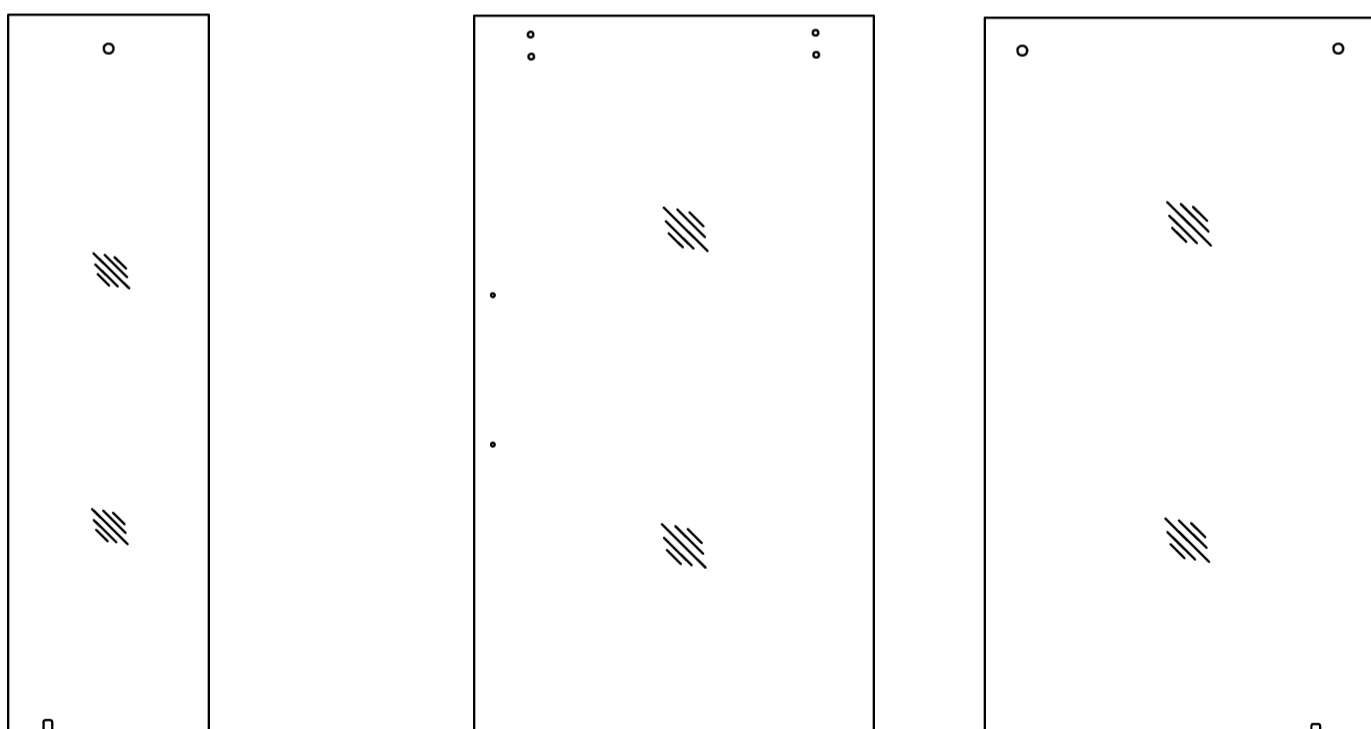
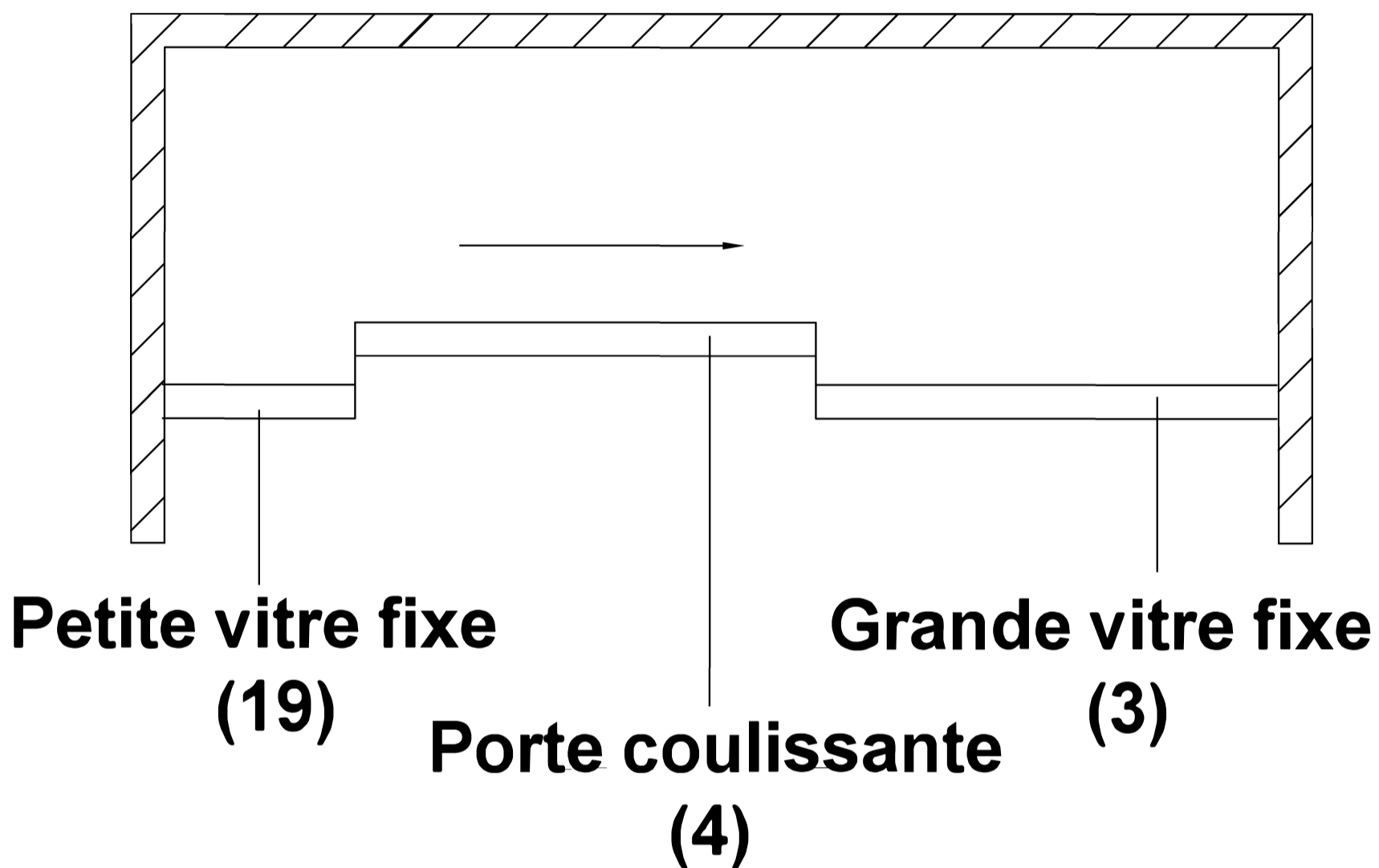
Le receveur de douche doit être installé de manière à ce que la lèvre du carrelage soit contre les montants du mur. Il est recommandé de fixer le receveur aux montants à l'aide de vis.

**IMPORTANT : Si vous utilisez des vis pour fixer le plateau aux montants, il est recommandé de percer l'emplacement des vis afin d'éviter que le plateau en acrylique ne s'écaille ou ne se fissure.**

# Ouverture de la porte et inversion

Cette porte de douche peut être assemblée de manière à ce que la porte coulissante s'ouvre de gauche à droite ou de droite à gauche. Les dessins ci-dessous illustrent l'ouverture de la porte de douche de gauche à droite.

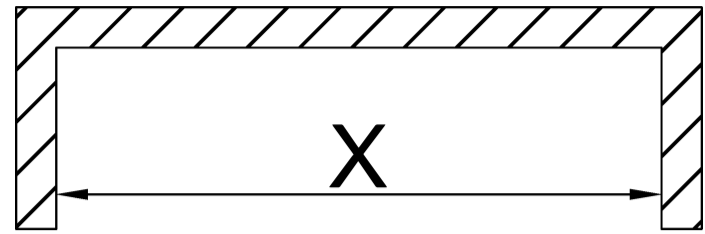
Notez l'emplacement du panneau de verre fixe pour l'ouverture de la porte de douche de gauche à droite.



Si vous souhaitez installer la porte coulissante de droite à gauche. Retournez l'installation du rail supérieur de sorte que le verre fixe (3) se trouve à gauche une fois installé.

# Installation des portes de douche

1. Mesurez la largeur de la douche ouverture en haut entre les 2 murs. Notez qu'il s'agit de la dimension "X". Voir la figure 1 pour plus de détails.



2. L'équation suivante permet de déterminer la longueur à couper dans le rail afin de l'adapter à l'ouverture de la douche.

$$y = X - \frac{3}{4}''$$

Mesurez la distance "Y" à partir de l'extrémité de la traverse supérieure (2) avec trous de montage et marquez le rail.

À l'aide d'une scie à guichet ou d'une scie sauteuse, coupez la traverse supérieure (2) au niveau de la marque.

Retirez soigneusement toute bavure ou arête vive restant sur la traverse supérieure (2) après la découpe.

Remarque : Ne coupez pas l'extrémité de la traverse supérieure comportant deux (2) trous. Coupez uniquement l'extrémité de la traverse supérieure opposée aux deux (2) trous.

Voir la figure 2 pour plus de détails.

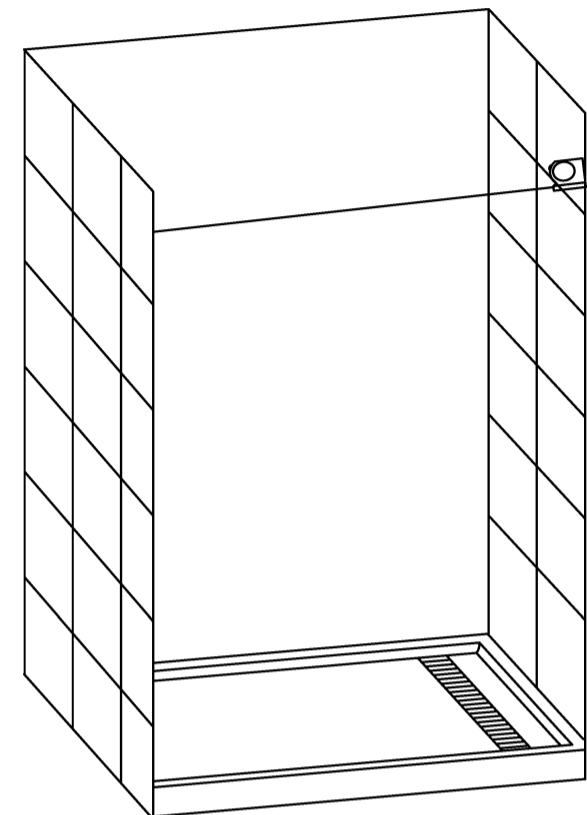


Fig. 1

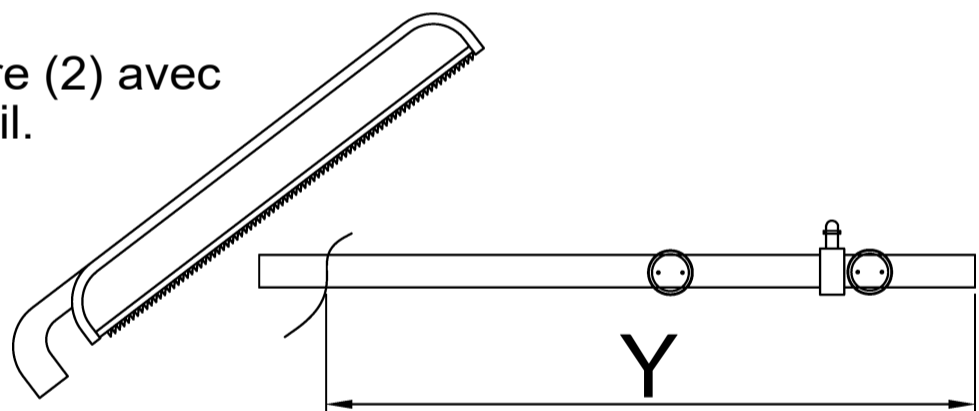
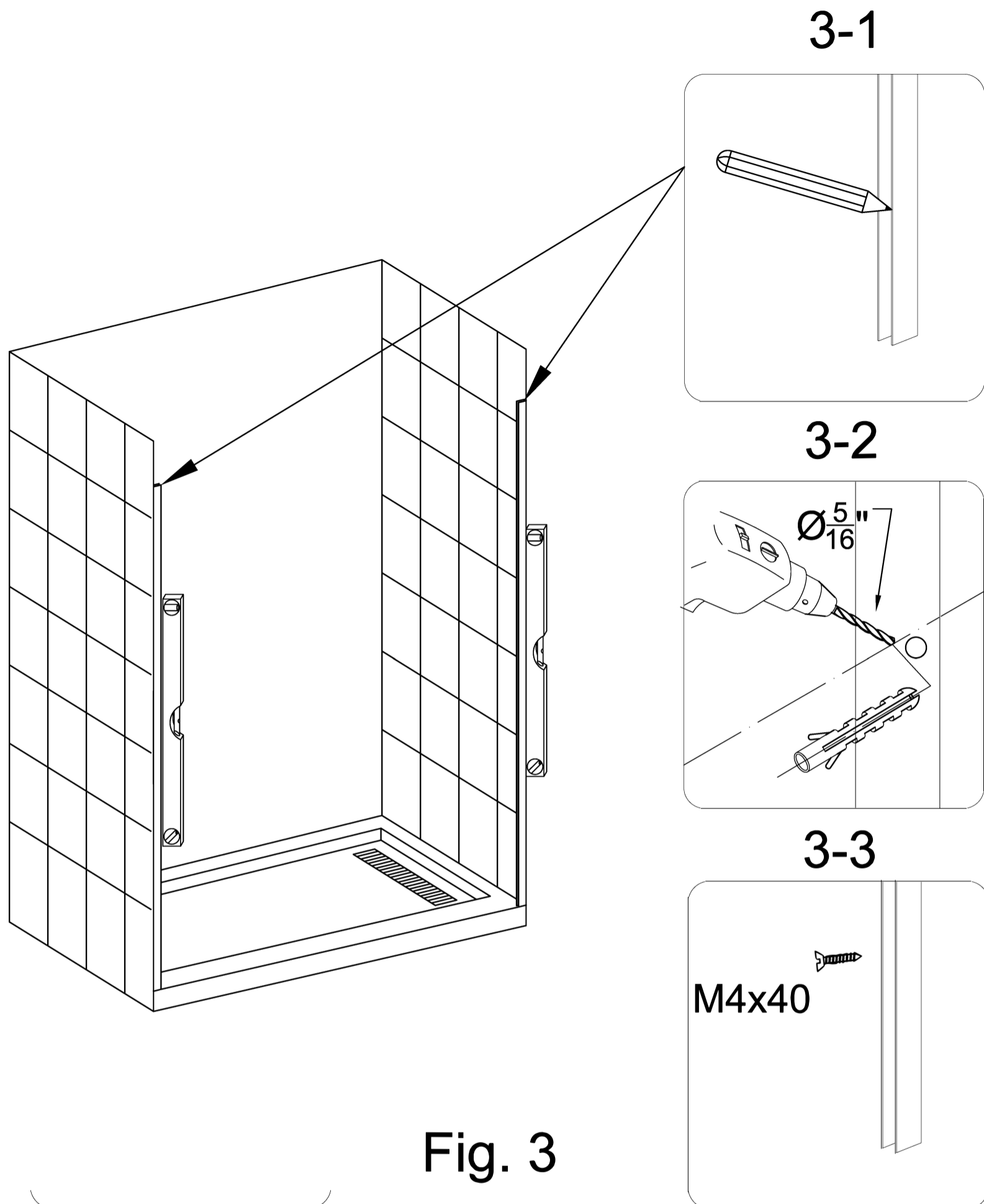


Fig. 2



**NOTE :**

Veillez vérifier à l'aide d'un niveau que le canal vertical est parfaitement d'aplomb.

3-1. Marquer la position sur le canal mural.

En utilisant la mèche appropriée pour la surface de votre mur, percez chaque emplacement de trou avec une mèche de 5/16" de diamètre.

Installez les ancrages muraux en plastique fournis dans les trous percés sur la surface du mur. 3-3. Installez le canal vertical sur le mur à l'aide des vis M4x40.

**ATTENTION : Deux personnes au minimum sont nécessaires pour les étapes de montage suivantes.**

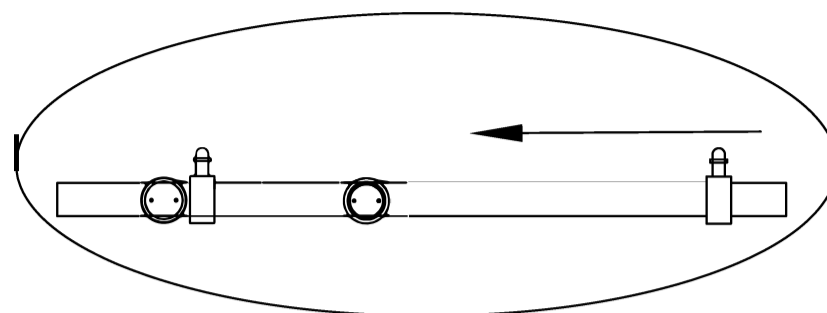
4. Faites glisser le butoir de porte (1) sur l'extrémité de la traverse supérieure (2). Les butoirs du butoir de porte (1) doivent être positionnés sur le haut du rail supérieur pour l'installation finale.
- Remarque : Un butoir de porte est livré préassemblé sur la traverse supérieure entre les boulons de verre fixe.

Voir la Fig.4 pour plus de détails.

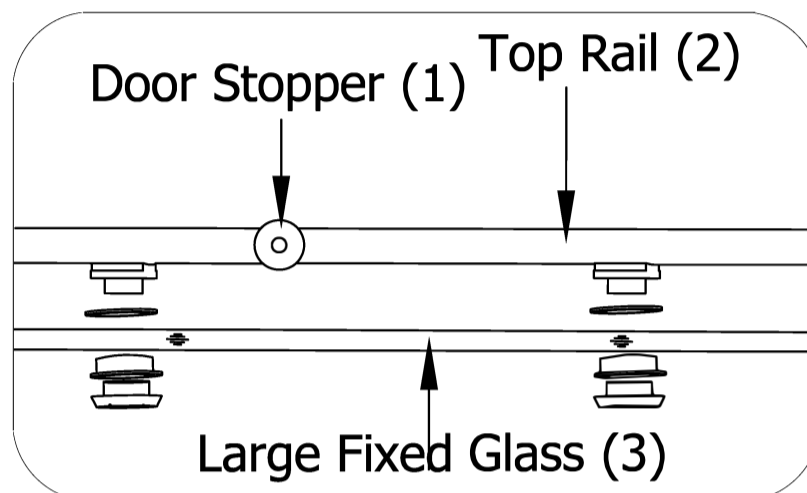
5. Positionnez la traverse supérieure (2) et le grand verre fixe (3) comme indiqué à la Fig.5 et raccordez le grand verre fixe (3) à la traverse supérieure (2) en suivant la séquence d'assemblage indiquée à la Fig.5. Notez sur la Fig.5 qu'un butoir de porte (1) doit être positionné entre les trous de montage de la traverse supérieure (2) avant de connecter la traverse supérieure au grand verre fixe. avant de relier la traverse supérieure au grand verre fixe.

**NOTE : LE RAIL SUPÉRIEUR EST FIXÉ À L'INTÉRIEUR DU VERRE FIXE.**

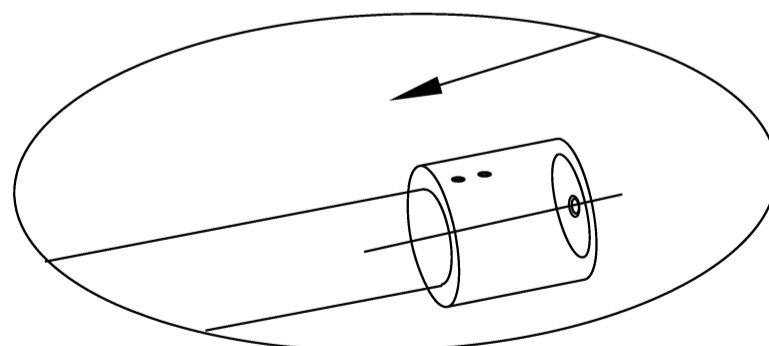
6. Faites glisser l'ensemble d'extrémité de rail (5) (6) sur l'extrémité du rail supérieur (2) à raccorder au mur de douche. Serrez sans serrer l'assemblage de l'extrémité du rail (5) en place sur le rail supérieur (2) en vous assurant que l'assemblage de l'extrémité du rail est complètement engagé sur le rail supérieur. Répétez l'opération pour l'autre côté, voir la figure 6 pour plus de détails.



**Fig. 4**



**Fig. 5**



**Fig. 6**

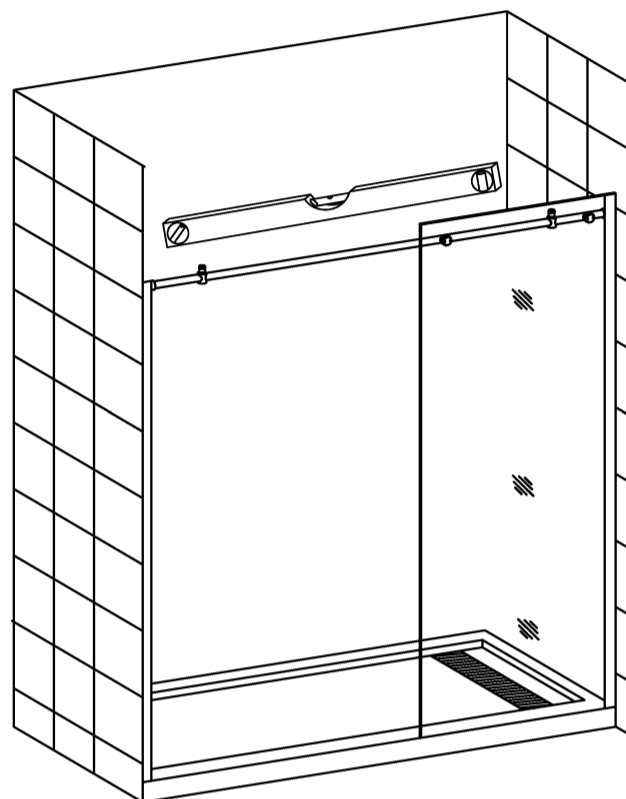


**REMARQUE : LE RAIL SUPÉRIEUR FIXÉ AU VERRE FIXE DOIT ÊTRE POSITIONNÉ À L'INTÉRIEUR DE LA DOUCHE.**

7. Positionnez l'ensemble verre fixe du rail supérieur en place dans votre douche, verre fixe dans le canal vertical.

À l'aide d'un niveau, vérifiez que la traverse supérieure (2) est horizontale et que la grande vitre fixe (3) est d'aplomb.

Voir la figure 7 pour plus de détails.



**Fig. 7**

8. À l'aide d'un crayon, marquez les extrémités du rail sur le mur.

Voir la figure 8 pour plus de détails.

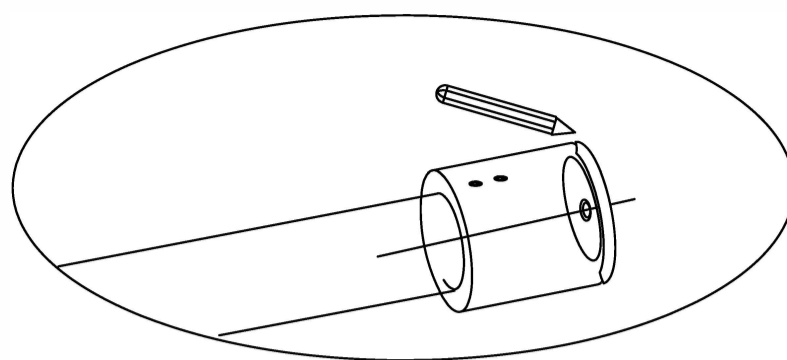


Fig. 8

9. Desserrez les vis de réglage des deux extrémités du rail (5) et retirez-les du rail supérieur (2).

Retirez ensuite les supports muraux (6) des deux extrémités du rail (6). Positionnez les supports muraux (6) sur l'emplacement marqué sur le mur de la douche et marquez l'emplacement du forage du trou pilote.

**REMARQUE : Si votre surface a tendance à se fissurer ou à s'écailler, il est recommandé de commencer par un foret pilote en utilisant un foret plus petit, puis d'augmenter la taille finale.**

En utilisant la mèche appropriée à la surface de votre mur, percez les emplacements des trous avec une mèche de 5/16" de diamètre. Installez les ancrages en plastique fournis dans les trous percés.

Répétez l'opération pour l'autre côté.

Fixez les supports muraux (6) au mur à l'aide des vis M5X40 du paquet de vis 1. Répétez l'installation des supports muraux pour l'autre côté.

Voir la figure 9 pour plus de détails.

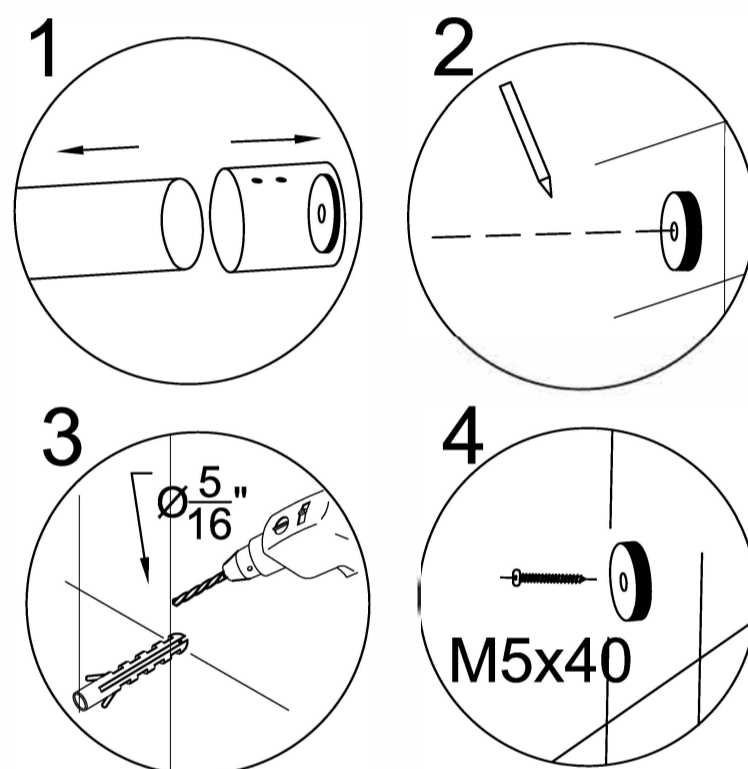
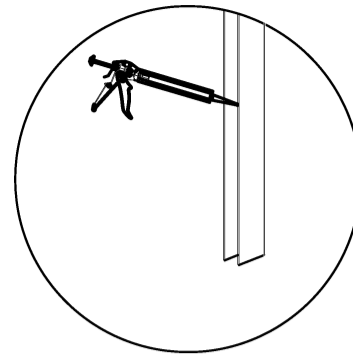


Fig. 9

10. Réglez correctement, vérifiez le niveau et l'aplomb, puis appliquez un petit cordon net de 100% silicone clair sur le fond intérieur du canal vertical.

Voir la figure 10 pour plus de détails.

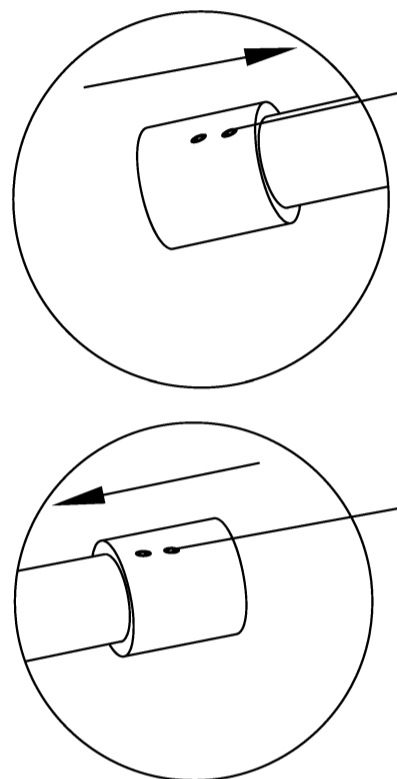


**Fig. 10**

Les emplacements des vis de réglage dans l'extrémité du rail ne sont pas centrés. Assembler selon le dessin.

11. Faites glisser les extrémités du rail (5) sur la traverse supérieure (2) et serrez-les sans serrer. Remarque : Les vis de réglage de l'extrémité du rail ne sont pas centrées, et l'une des extrémités du rail est filetée. Les extrémités de rail (5) doivent être installées sur la traverse supérieure (2) de sorte que l'extrémité filetée de l'extrémité de rail (5) soit tournée vers l'extérieur.

Voir la figure 11 pour plus de détails.



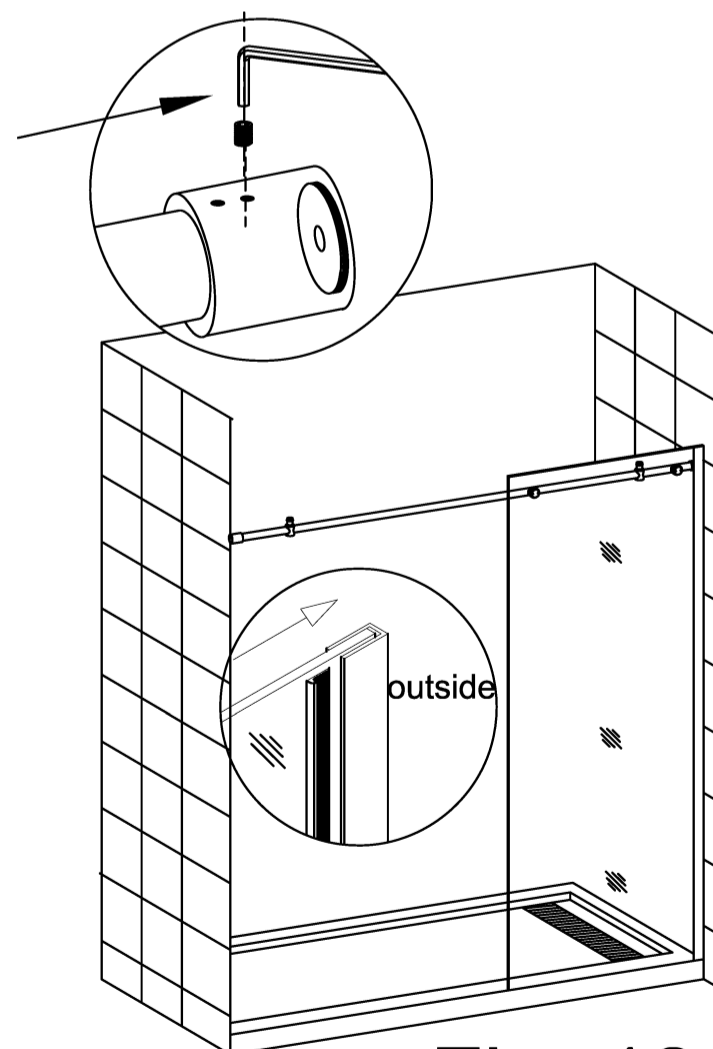
**Fig. 11**

Les emplacements des vis de réglage dans l'extrémité du rail ne sont pas centrés. Assembler selon le dessin.

12. Positionnez l'ensemble rail supérieur/verre fixe dans l'ouverture de votre douche. Desserrez l'ensemble vis dans l'extrémité du rail (5). Vissez ensuite l'extrémité du rail (5) sur le support mural (6) et serrez. Répétez de l'autre côté.

Installer le joint U-channel (21) sur le verre fixe (3).

Voir la figure 12 pour plus de détails.



**Fig. 12**

13. Retirez la vis de réglage à l'arrière de Petit assemblage de boulons de verre fixe (20).

Placez le petit verrou de verre fixe (20) sur le rail supérieur entre l'extrémité du rail (5) et la butée de porte (1).

Serrez sans serrer la vis de réglage. Voir la figure 14 pour plus de détails.

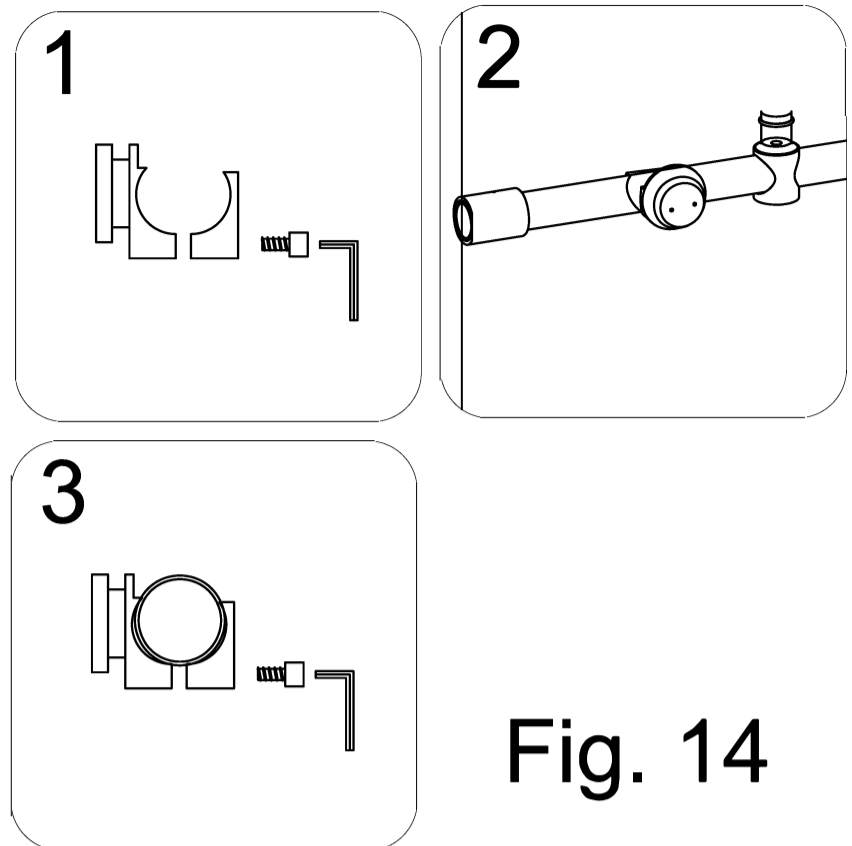


Fig. 14

14. Retirer le capuchon fileté de l'appareil fixe

Assemblage de boulons de verre (20). Placez le petit verre fixe (19) contre le mur de la douche. Faites glisser le petit ensemble de boulons de verre fixe (20) sur le rail supérieur (2) pour l'aligner avec le trou de montage du petit verre fixe (19).

Fixez le petit verre fixe (19) à Petit assemblage de boulons de verre fixe en suivant les étapes 1-4 de la Fig.15.

Serrez la vis de blocage à l'arrière de l'ensemble de boulons de la petite vitre fixe (20).

Installez le joint de canal en L (21) sur le petit canal.

Voir la figure 15 pour plus de détails.

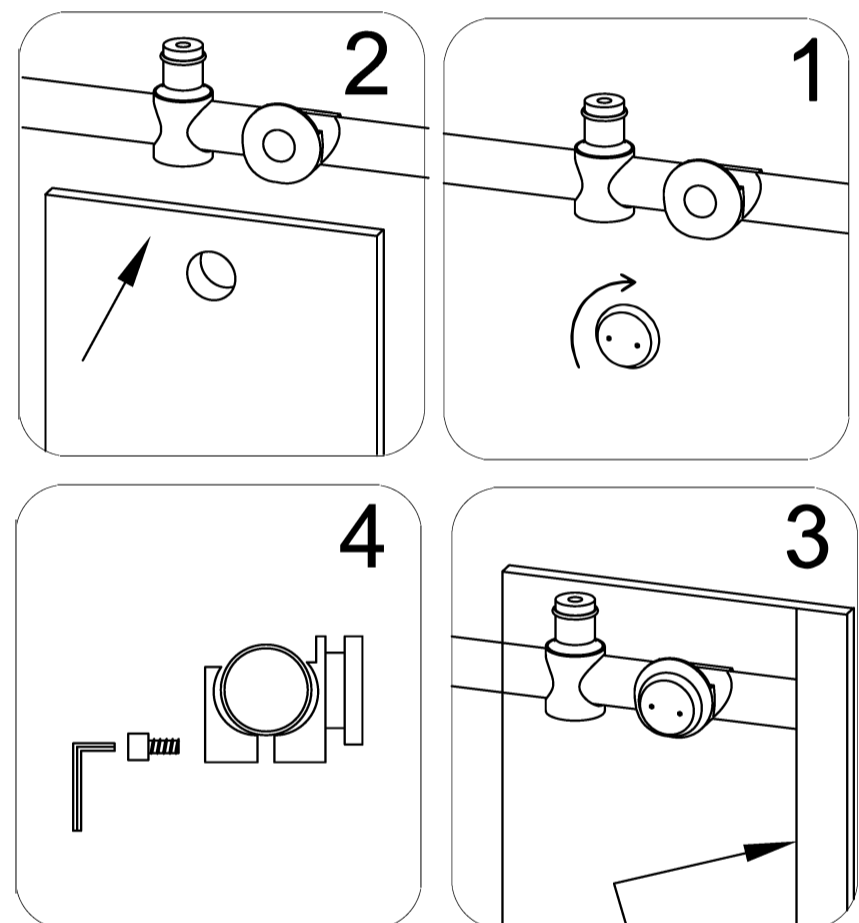
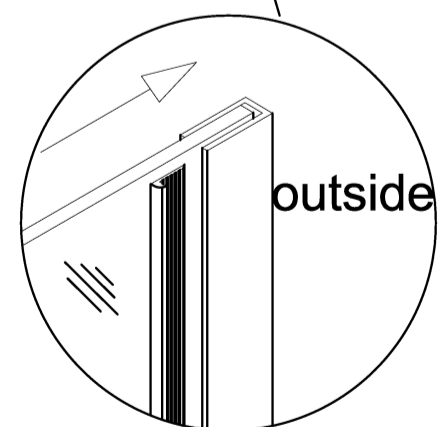


Fig. 15



15. Assurez-vous que la glissière en plastique de la porte coulissante est en place dans la partie inférieure du séparateur de rail de la porte coulissante (8) et qu'elle est positionnée au bon endroit pour une épaisseur de verre de 10 mm.

Voir la figure 16 pour plus de détails.

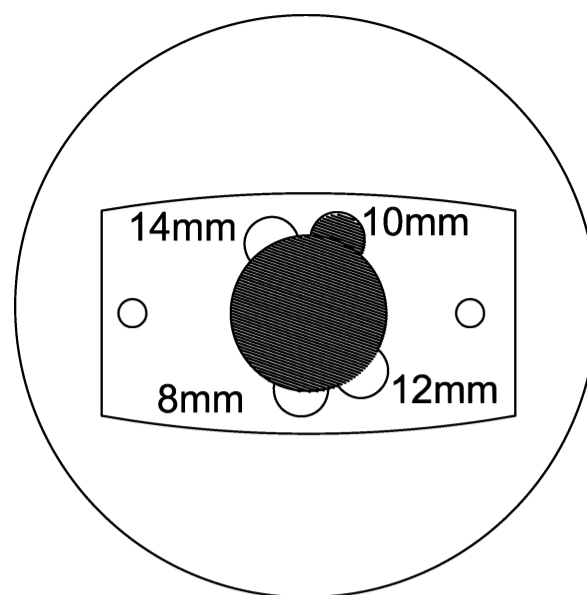


Fig. 16

16. Placez le séparateur de rail de porte coulissante (8) en position comme indiqué sur la Fig. 17 et marquez les positions des 2 trous de la base de la douche.

**Remarque :** Sur la figure 21, l'emplacement des trous pour la fixation du séparateur du rail de la porte coulissante doit être à  $1 \frac{13}{16}$ " du bord du grand verre fixe (3).

Voir la figure 17 pour plus de détails.

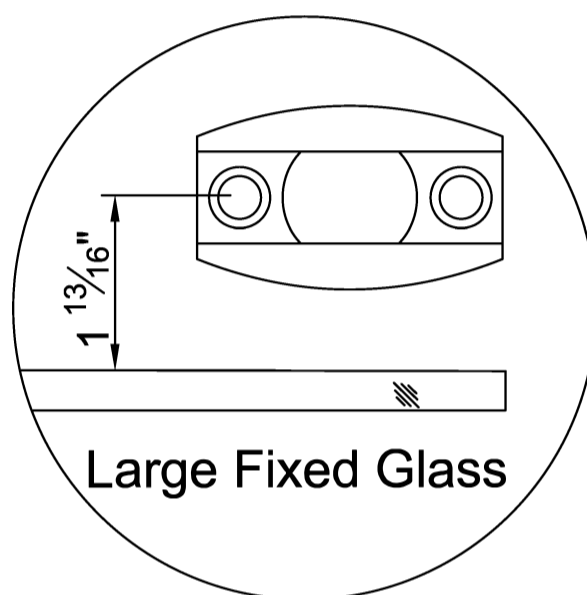


Fig. 17

**REMARQUE :** Si votre surface est sujette à la fissuration ou à l'écaillage, il est recommandé de commencer par un foret pilote en utilisant un foret plus petit, puis de passer à la taille finale.

17. En utilisant la mèche appropriée pour la surface de votre plateau, percez les emplacements des trous avec une mèche de 1/8" de diamètre. Positionnez le séparateur de rail de porte coulissante (8) sur les trous percés et fixez le séparateur de rail de porte coulissante (9) sur le support de la porte (8) au plateau en utilisant le matériel du paquet de vis 2.

Voir la figure 18 pour plus de détails.

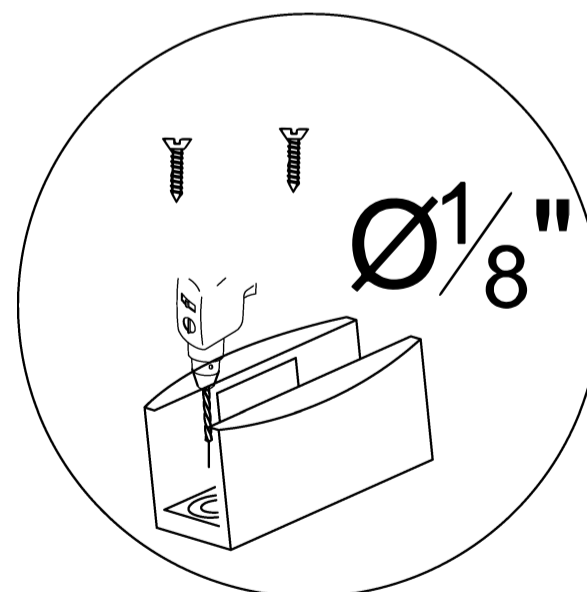


Fig. 18

18. Assembler les ensembles de rouleaux supérieurs (9) sur la porte coulissante (4).

Remarque : Les trous de montage de la poignée de porte doivent être positionnés à gauche. Les ensembles de rouleaux supérieurs (9) se trouvent à l'extérieur de la porte coulissante (4). La porte coulissante doit se trouver à l'intérieur de la douche.

Voir la Fig.19 pour plus de détails.

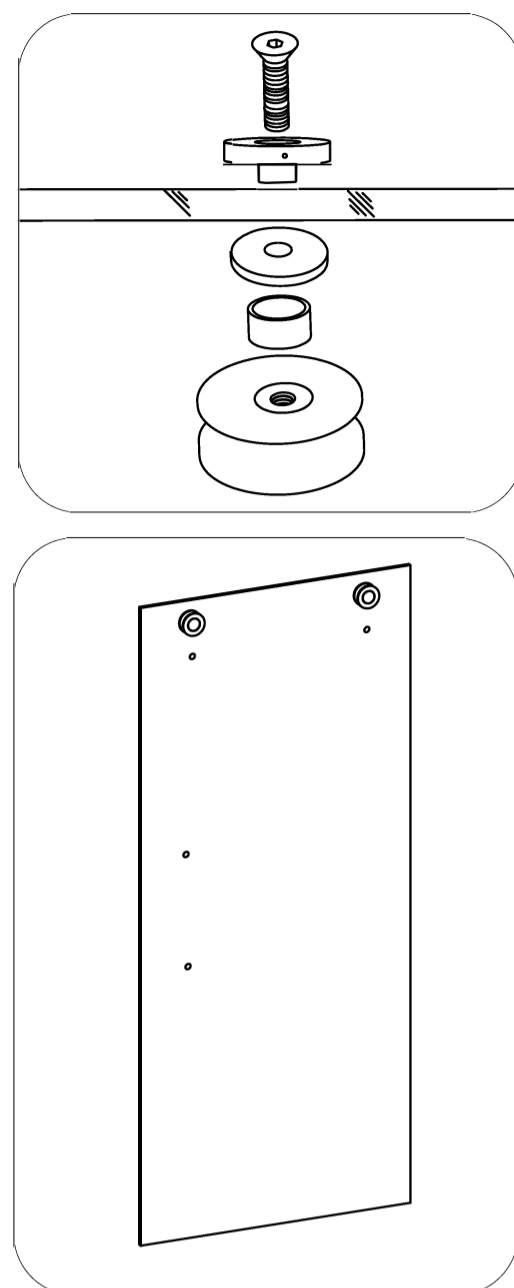


Fig. 19

19. Suspendez la porte coulissante (4) sur la traverse supérieure (2). Faites glisser le bord inférieur de la porte coulissante (4) dans la rainure du séparateur de rail de la porte coulissante (8).

Régalez les ensembles de rouleaux supérieurs (9) pour Assurez-vous que le bord inférieur de la porte coulissante (4) ne touche pas le séparateur inférieur du rail de la porte coulissante (8).

Voir la figure 20 pour plus de détails.

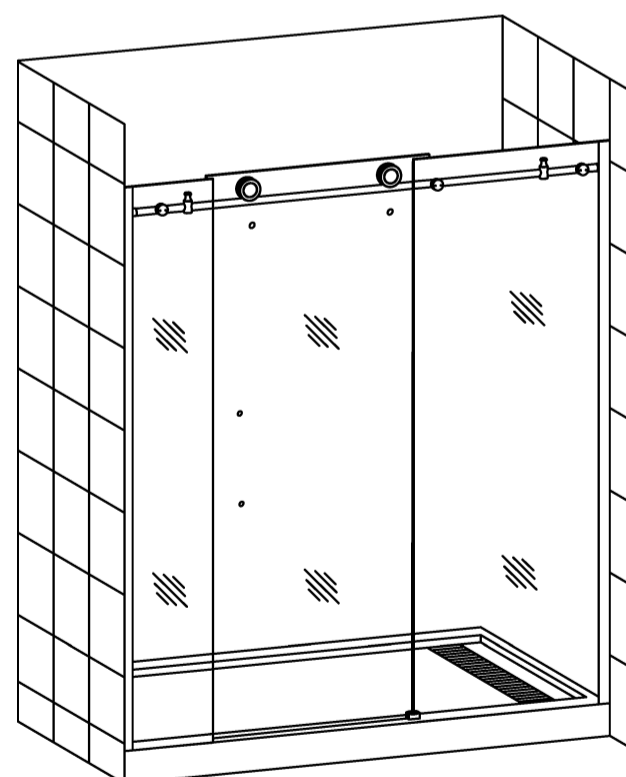


Fig. 20

20. Les galets de cette unité ont une came de réglage intégrée pour ajuster l'aplomb de la porte coulissante.

Localisez le petit trou sur le bord extérieur du rouleau et insérez une petite clé hexagonale dans l'ouverture du trou. Ensuite, à l'aide de la clé hexagonale pour l'assemblage du rouleau, desserrez légèrement l'assemblage de la roue du rouleau. Maintenant, en maintenant la clé hexagonale en place, tournez le bord extérieur de l'ensemble du rouleau en utilisant la petite clé hexagonale insérée dans le petit trou de l'ouverture du bord extérieur de l'ensemble du rouleau. Cela déplacera la came du galet pour compenser tout ajustement mineur de la porte coulissante hors d'aplomb. Les 4 galets de cette unité peuvent être réglés comme décrit ci-dessus.

Voir la figure 21 pour plus de détails.

21. Installez les ensembles de rouleaux inférieurs (9) sur la porte coulissante (4) pour fixer la porte coulissante (4) au rail supérieur (2). Ajustez les ensembles de rouleaux inférieurs (9) à un espace de  $1/32$ ". Cet espace est un espace de départ, vérifiez que la porte coulissante roule en douceur le long du rail supérieur. Faites des ajustements, si nécessaire.

Voir Fig.22 & Fig.23 pour plus de détails.

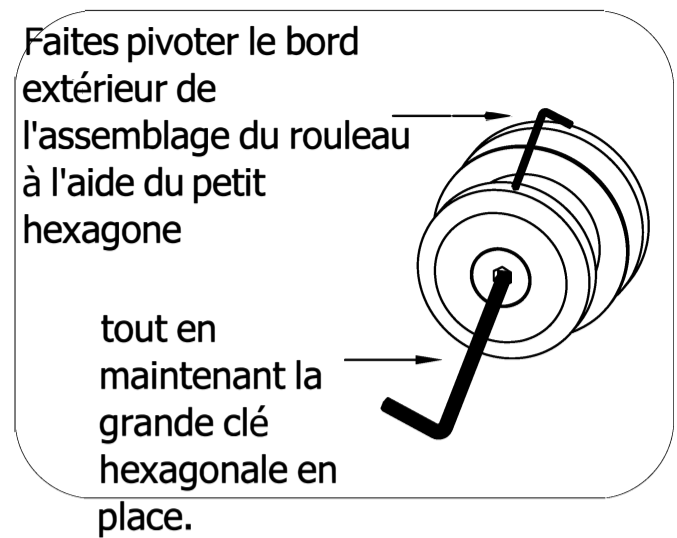


Fig. 21

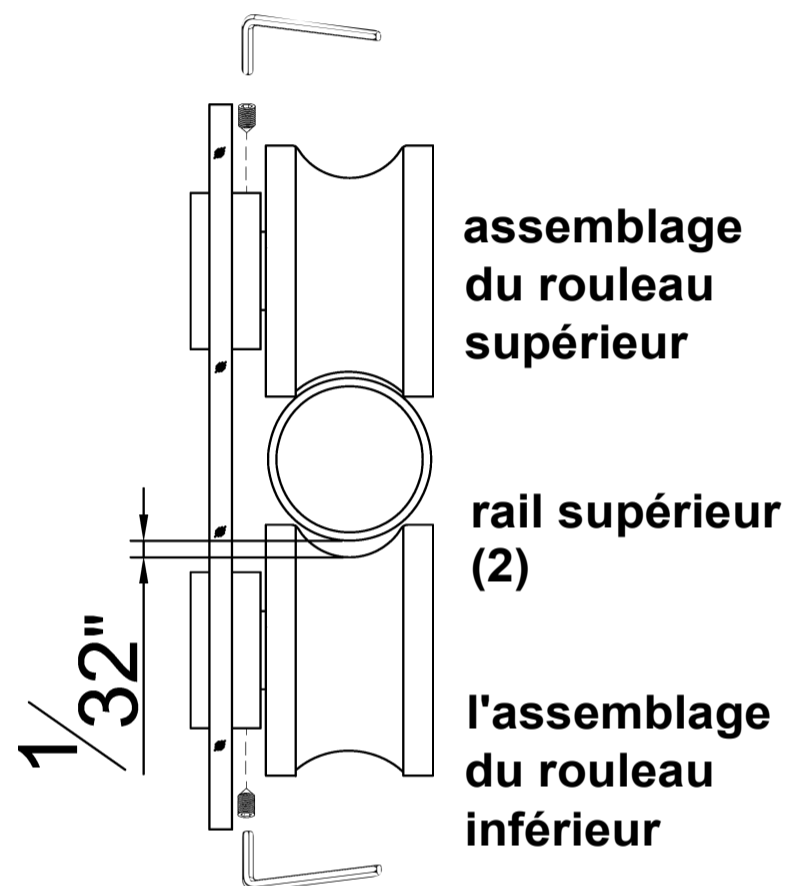


Fig. 22

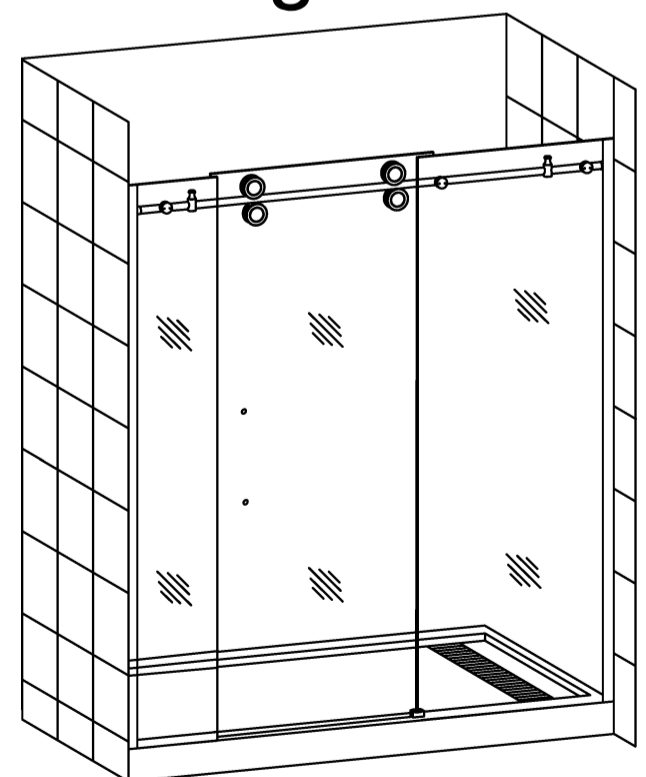


Fig. 23

22. Le seuil de porte est utilisé pour empêcher l'eau de s'infiltrer pendant le bain. Installez le seuil en suivant ces instructions.

Mesurez la distance entre le petit verre fixe (19) et le grand verre fixe (3). Voir la Fig.24 pour plus de détails.

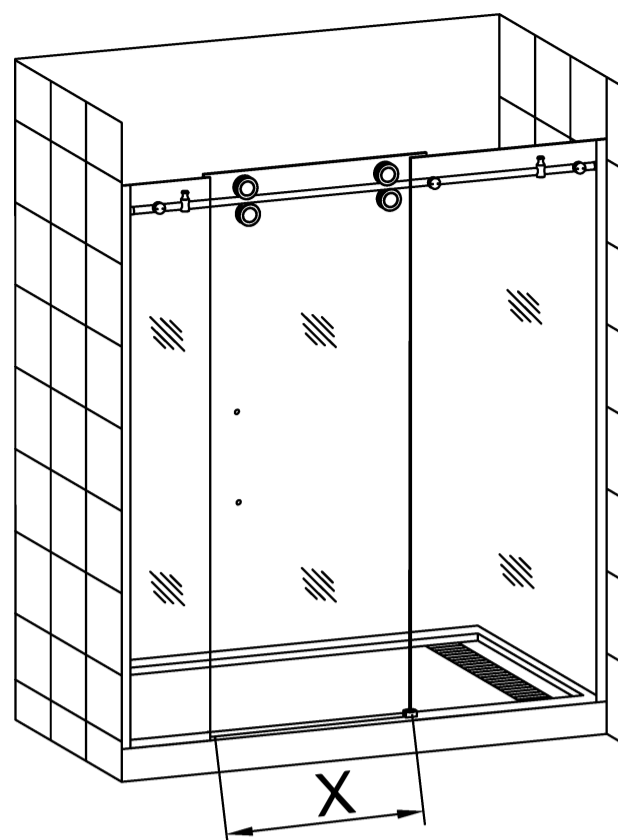


Fig.24

À l'aide d'une scie à métaux, coupez la barre de seuil de porte (11) pour l'adapter à la distance mesurée entre la grande vitre fixe et la petite vitre fixe. Retirez les arêtes vives ou les bavures après avoir coupé la barre de seuil de porte (11).

Voir la Fig.25 pour plus de détails.

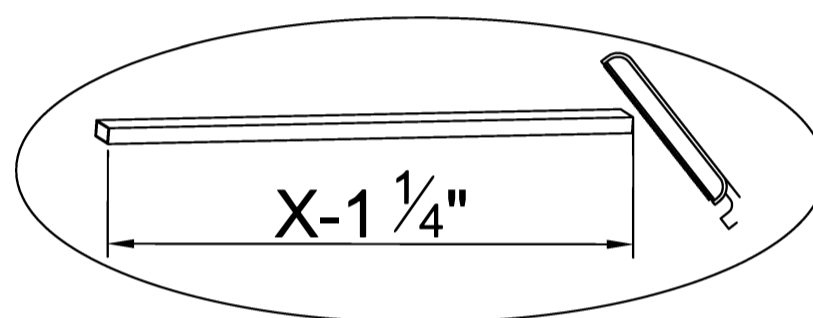


Fig.25

Positionnez la barre de seuil de porte (11) sur le bac à douche en l'alignant dans l'ouverture de la porte avec le verre fixe. Marquez l'emplacement des trous de montage de l'embout de seuil (12).

Voir la Fig.26 pour plus de détails.

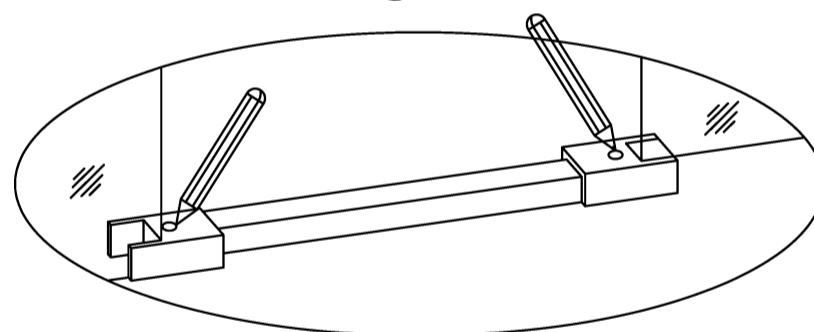


Fig.26

En utilisant le foret approprié pour la surface de votre plateau, percez les emplacements des trous avec un foret de 1/8\"/>

Voir la Fig.27 pour plus de détails.

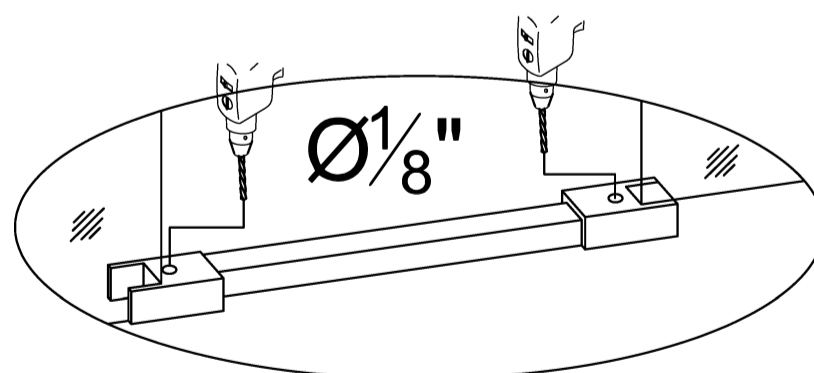


Fig.27

**REMARQUE : si votre surface est sujette à la fissuration ou à l'écaillage, il est recommandé de commencer par un foret pilote en utilisant un foret plus petit, puis de passer à la taille finale.**



Ajoutez une petite quantité de mastic silicone au bas de la barre de seuil et mettez-la en place. Voir la Fig.28 pour plus de détails.

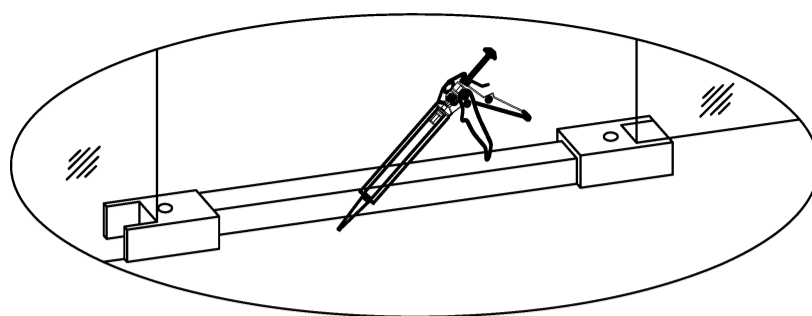


Fig.28

À l'aide du matériel du paquet de vis 3, installez l'ensemble de la barre de seuil.  
Installez les bouchons à vis décoratifs dans les embouts de seuil (12).

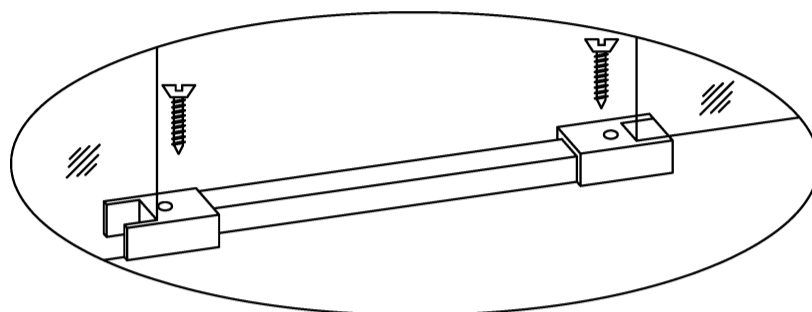


Fig.29

23. Installer la poignée de porte (15)  
à

l'aide du matériel fourni.

Voir la figure 30 pour plus de détails.

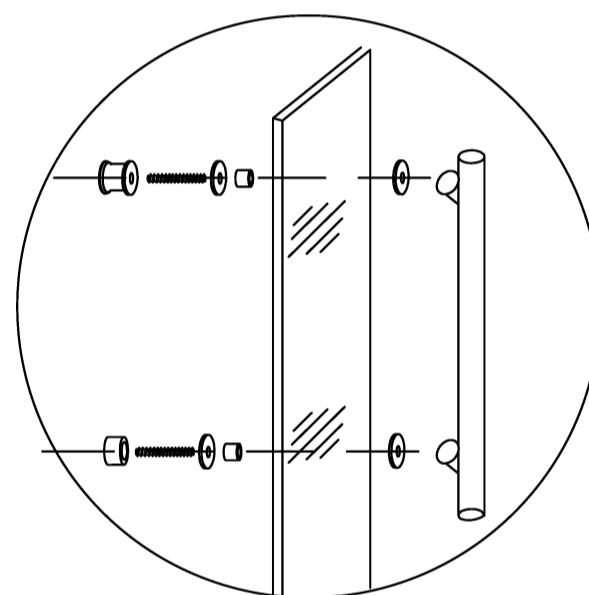


Fig.30

24. Appuyez la bande de protection (13) sur le bord vertical de la porte coulissante (4) et appuyez la bande anti-eau (14) sur les bords verticaux de la petite vitre fixe (19).

Pressez la bande anti-eau (14) sur les bords verticaux du grand verre fixe. (3) et la porte coulissante (4).

Voir la Fig.31 pour plus de détails.

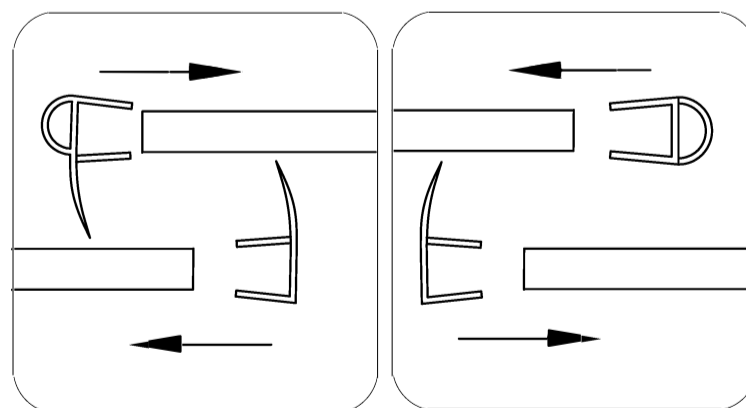


Fig. 31

25. Ajustez les deux butées de porte (1) pour vous assurer qu'elles sont positionnées verticalement et que la porte en verre (4) est dans sa plage d'ouverture et de fermeture maximale.

Serrez les vis de réglage pour les fixer en place.

Voir la Fig.32 pour plus de détails.

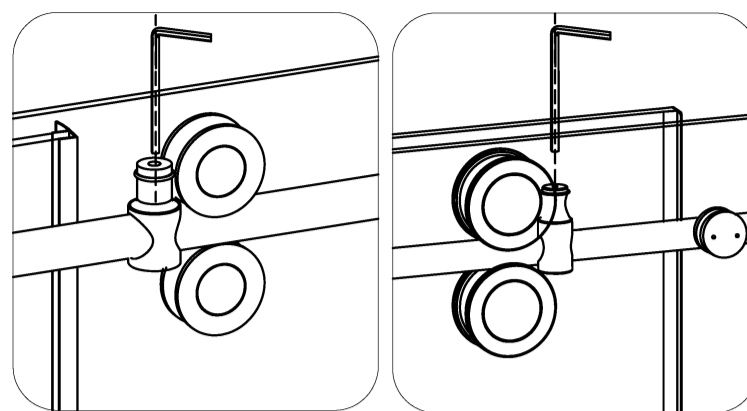


Fig. 32

26. À l'aide du mastic silicone Bath & Kitchen, scellez /4<sup>le</sup> grand verre fixe (3) et le petit verre fixe (19) le long du bord inférieur de la base de la douche et du bord latéral de la paroi de la douche.

Ensuite, scellez autour du séparateur de rail de la porte coulissante (8).

Voir la Fig.33 pour plus de détails.

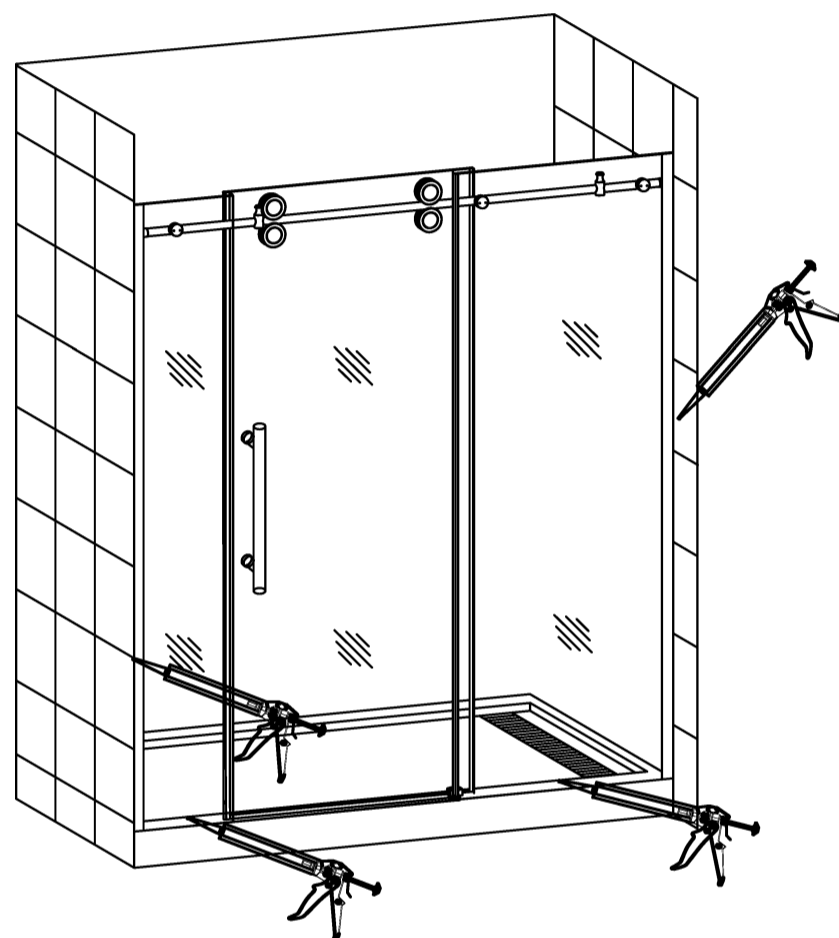


Fig. 33

# Entretien et maintenance

Comme pour tout autre article de luxe, l'entretien et la maintenance sont essentiels pour garantir la qualité et la longévité de votre porte et de votre receveur de douche. Les soins et l'entretien appropriés décrits dans cette section sont nécessaires pour assurer la longévité de l'unité. Les dommages causés par le non-respect des directives d'entretien et de maintenance de cette section ne sont pas couverts par la garantie du fabricant.

Les portes et les panneaux en verre peuvent être nettoyés à l'aide de n'importe quel nettoyant pour vitres disponible dans le commerce.

Nous vous recommandons de nettoyer le verre quotidiennement et de le racler avec une raclette en silicone ou en caoutchouc après chaque utilisation pour éviter les taches d'eau.

# TURIN CANADA LIMITED WARRANTY

PLEASE READ THESE WARRANTY TERMS AND CONDITIONS CAREFULLY BEFORE USING YOUR TURIN CANADA BATHROOM PRODUCT. BY USING THE PRODUCT, YOU ARE CONSENTING TO BE BOUND BY THE FOLLOWING WARRANTY TERMS AND CONDITIONS. SHOWER DOOR/SHOWER BASE/SHOWER GLASS

Turin Canada Parts-Only Limited Warranty is five (5) years. Warranty for any part in black finish is limited to two (2) years.

Turin Canada warrants to the original retail purchaser ("Owner") of any Shower Door/Shower Base/Shower Glass product ("Product"), at the original installation site, for a period of Five (5) years (or two (2) years for any part in black) from date of purchase that the Product be free from manufacturing defects in materials and workmanship, when used under normal conditions and when such Product has not been modified or changed in any manner after leaving Turin Canada's warehouse. If any Product manufactured by Turin Canada is found to have manufacturing defects in materials or workmanship, such Product will be repaired or replaced by Turin Canada. This warranty applies only against defects discovered within the warranty period and extends only to the original purchaser of the Product. Parts repaired or replaced under the terms of this Warranty will be warranted for the remainder of the original warranty period only.

Proof of purchase is required to exercise this Warranty. Turin Canada may, at its option, examine and inspect the alleged defective Product, and Turin Canada may request that part(s) be returned to Turin Canada at Owner's expense for factory inspection. The determination as to whether Product shall be replaced, or in the alternative, repaired, shall be made solely by Turin Canada. If a Product is determined to be covered by the above Warranty, Turin Canada will ship the replacement part(s) to Customer. Parts not currently in stock may require up to a 6 weeks delivery time after placement of order.

The above warranty is subject to the following conditions: (1) the Product must be installed in a single-family dwelling unit where the original purchaser of the Product resides; and (2) the Product must be maintained as described in the owner's manual supplied with the Product.

For glass and acrylic panels, the customer must (a) open and inspect the Product upon delivery (without releasing the delivery driver until visual verification that the Product arrived in a good and acceptable condition); and (b) clearly notate damage on the delivery acknowledgment receipt. Failure to do so, and any damage discovered to glass or acrylic panel after delivery, will be repaired or replaced at the sole discretion of Turin Canada.

THIS WARRANTY DOES NOT COVER:

1. Product installed in buildings other than single-family dwelling units.
2. Product installed outdoors or any other non-standard bathroom location.
3. Component parts not manufactured by Turin Canada.

4. Workmanship of any installer of Turin Canada Product. This warranty does not assume any liability of any nature for unsatisfactory performance caused by improper installation, or any damages to property resulting from improper installation or use of the Products, including but not limited to flooring, subfloor, tile, walls, sheet rock, concrete board, paint, plumbing fixtures and ceilings.
5. Labour costs incurred in the removal, disassembly, reassembly, or installation of the Product(s), including replacement Products issued under the Warranty, or costs for transportation to Turin Canada, and any other materials necessary to return Product to Turin Canada.
6. Any Product that has been damaged as a result of being improperly serviced or operated, including, but not limited to, the following: operated with insufficient water; allowed to freeze; subjected to flood conditions; operated with water conditions or additives which cause unusual deposits or corrosion in or on the Product, or subject to any other abuse or negligence.
7. Any Product that has been damaged as a result of natural disasters, including, but not limited to, lightning, fire, earthquake, hurricanes, tornadoes or floods.
8. Product used for any purpose other than residential bathroom usage.

#### LEGAL DISCLAIMERS

ALL IMPLIED WARRANTIES, INCLUDING WARRANTIES OF MERCHANTABILITY AND FITNESS FOR A PARTICULAR PURPOSE, ARE HEREBY DISCLAIMED IN THEIR ENTIRETY WITH RESPECT TO ALL PURCHASERS OR OWNERS. FAILURE TO RETURN THE WARRANTY CARD SHALL HAVE NO EFFECT ON THE DISCLAIMER OF THESE IMPLIED WARRANTIES. ALL EXPRESS WARRANTIES SHALL BE LIMITED TO THE DURATION OF THIS EXPRESS LIMITED WARRANTY AND EXCLUDE ANY LIABILITY FOR CONSEQUENTIAL OR INCIDENTAL DAMAGES RESULTING FROM THE BREACH OF ANY EXPRESS WARRANTY. Some states do not allow the exclusion or limitation of incidental or consequential damages, so the above limitations or exclusions may not apply. No dealer, distributor, Service Company or other party is authorized to change, modify or extend the terms of this warranty in any manner whatsoever.

Turin Canada and its representatives shall not be liable for any injury, loss, cost or other damages, whether incidental or consequential, arising out of any defect covered by this Warranty including and without limitation, loss of use of the Product and cost for removal of defective Product, even if Turin Canada has been advised of the possibility of such damage. The liability of Turin Canada under this Warranty, if any, shall not exceed the original amount paid for the Product covered by the Warranty. Coverage under this Warranty shall commence as of the original date of purchase and the duration of such coverage shall not extend for any reason whatsoever beyond the stated time period. Please remember to register your new Turin Canada product to ensure accurate and satisfactory customer service.

# GARANTIE LIMITÉE DE TURIN CANADA

VEUILLEZ LIRE ATTENTIVEMENT CES CONDITIONS DE GARANTIE AVANT D'UTILISER VOTRE PRODUIT DE SALLE DE BAINS TURIN CANADA. EN UTILISANT LE PRODUIT, VOUS ACCEPTEZ D'ÊTRE LIÉ PAR LES CONDITIONS DE GARANTIE SUIVANTES. PORTE DE DOUCHE/BASE DE DOUCHE/VERRE DE DOUCHE

La garantie limitée de Turin Canada sur les pièces seulement est de cinq (5) ans. La garantie pour toute pièce en finition noire est limitée à deux (2) ans.

Turin Canada garantit au premier acheteur au détail (le " propriétaire ") de tout produit de type porte de douche/base de douche/verre de douche (le " produit "), à l'endroit où il a été installé à l'origine, pour une période de cinq (5) ans (ou deux (2) ans pour toute partie en noir) à compter de la date d'achat, que le produit est exempt de défauts de fabrication au niveau des matériaux et de la main-d'œuvre, lorsqu'il est utilisé dans des conditions normales et qu'il n'a pas été modifié ou changé de quelque façon que ce soit après avoir quitté l'entrepôt de Turin Canada. S'il s'avère qu'un produit fabriqué par Turin Canada présente des défauts de fabrication ou de main-d'œuvre, ce produit sera réparé ou remplacé par Turin Canada. Cette garantie ne s'applique qu'aux défauts découverts pendant la période de garantie et ne s'applique qu'à l'acheteur initial du produit. Les pièces réparées ou remplacées en vertu des conditions de la présente garantie ne seront garanties que pour le reste de la période de garantie initiale.

Une preuve d'achat est requise pour exercer la présente garantie. Turin Canada peut, à sa discrétion, examiner et inspecter le produit prétendument défectueux, et Turin Canada peut demander que la ou les pièces soient retournées à Turin Canada aux frais du propriétaire pour une inspection en usine. Turin Canada peut demander que la ou les pièces soient retournées à Turin Canada aux frais du propriétaire aux fins d'inspection en usine. Turin Canada est la seule à décider si le produit doit être remplacé ou, à défaut, réparé. S'il est déterminé qu'un produit est couvert par la garantie ci-dessus, Turin Canada expédiera la ou les pièces de rechange au client. Les pièces qui ne sont pas actuellement en stock peuvent nécessiter un délai de livraison allant jusqu'à 6 semaines après la passation de la commande.

La garantie ci-dessus est soumise aux conditions suivantes : (1) le Produit doit être installé dans une unité d'habitation unifamiliale où réside l'acheteur initial du Produit ; et (2) le Produit doit être entretenu comme décrit dans le manuel d'utilisation fourni avec le Produit.

Dans le cas des panneaux de verre et d'acrylique, le client doit (a) ouvrir et inspecter le produit à la livraison (sans libérer le livreur avant d'avoir vérifié visuellement que le produit est arrivé dans un état bon et acceptable) ; et (b) noter clairement les dommages sur le reçu d'accusé de réception de la livraison. À défaut de quoi, tout dommage découvert sur le verre ou le panneau acrylique après la livraison sera réparé ou remplacé à la seule discrétion de Turin Canada.

**CETTE GARANTIE NE COUVRE PAS CETTE GARANTIE :**

1. Produit installé dans des bâtiments autres que des habitations unifamiliales.
2. Produit installé à l'extérieur ou dans tout autre endroit non standard de la salle de bains.

3. Les pièces composantes qui ne sont pas fabriquées par Turin Canada.
4. La qualité du travail de tout installateur du produit de Turin Canada. La présente garantie n'assume aucune responsabilité de quelque nature que ce soit à l'égard d'un rendement insatisfaisant causé par une installation inadéquate, ou de tout dommage à la propriété résultant d'une installation ou d'une utilisation inadéquate des produits, y compris, mais sans s'y limiter, les revêtements de sol, les sous-planchers, les carreaux, les murs, la roche en feuille, les panneaux de béton, la peinture, les appareils de plomberie et les plafonds.
5. Les frais de main-d'œuvre engagés pour l'enlèvement, le démontage, le remontage ou l'installation du ou des produits, y compris les produits de remplacement émis en vertu de la garantie, ou les frais de transport jusqu'à Turin Canada, et tout autre matériel nécessaire pour retourner le produit à Turin Canada.
6. Tout produit qui a été endommagé à la suite d'un entretien ou d'une utilisation incorrects, y compris, mais sans s'y limiter, les cas suivants : utilisation avec une quantité d'eau insuffisante, gel, inondation, utilisation avec de l'eau ou des additifs qui provoquent des dépôts inhabituels ou de la corrosion dans ou sur le produit, ou tout autre abus ou négligence.
7. Tout Produit qui a été endommagé à la suite de catastrophes naturelles, y compris, mais sans s'y limiter, la foudre, le feu, les tremblements de terre, les ouragans, les tornades ou les inondations.
8. Produit utilisé à des fins autres que l'usage résidentiel dans la salle de bains.

#### CLAUSES DE NON-RESPONSABILITÉ

TOUTES LES GARANTIES IMPLICITES, Y COMPRIS LES GARANTIES DE QUALITÉ MARCHANDE ET D'ADÉQUATION À UN USAGE PARTICULIER, SONT PAR LA PRÉSENTE EXCLUES DANS LEUR INTÉGRALITÉ À L'ÉGARD DE TOUS LES ACHETEURS OU PROPRIÉTAIRES. LE FAIT DE NE PAS RENVOYER LA CARTE DE GARANTIE N'AURA AUCUN EFFET SUR L'EXCLUSION DE CES GARANTIES IMPLICITES. TOUTES LES GARANTIES EXPRESSES SONT LIMITÉES À LA DURÉE DE LA PRÉSENTE GARANTIE LIMITÉE EXPRESSE ET EXCLUENT TOUTE RESPONSABILITÉ POUR LES DOMMAGES INDIRECTS OU ACCESSOIRES RÉSULTANT DE LA VIOLATION DE TOUTE GARANTIE EXPRESSE. Certains États n'autorisent pas l'exclusion ou la limitation des dommages accessoires ou indirects, de sorte que les limitations ou exclusions ci-dessus peuvent ne pas s'appliquer. Aucun concessionnaire, distributeur, société de service ou autre partie n'est autorisé à changer, modifier ou étendre les termes de cette garantie de quelque manière que ce soit.

Turin Canada et ses représentants ne seront pas responsables des blessures, pertes, coûts ou autres dommages, accessoires ou indirects, découlant de tout défaut couvert par la présente garantie, y compris, mais sans s'y limiter, la perte d'utilisation du produit et les coûts d'enlèvement du produit défectueux, même si Turin Canada a été informée de la possibilité de tels dommages. La responsabilité de Turin Canada en vertu de la présente garantie, le cas échéant, ne doit pas dépasser le montant initial payé pour le produit couvert par la garantie. La couverture en vertu de la présente garantie commence à la

date d'achat initiale et la durée de cette couverture ne peut, pour quelque raison que ce soit, se prolonger au-delà de la période indiquée. N'oubliez pas d'enregistrer votre nouveau produit Turin Canada pour assurer un service à la clientèle précis et satisfaisant.

© 2021 Turin Canada



*Durin*