

0CC50-M03970EN

# P R E F A C E

This parts catalog is the 1st edition of L100V5-GEYYDG2, L100V5-GYYDG2 for YDG ENGINES.

Published : November, 2021

# Contents

OCC50-M03970

Fig. No. Fig. Name

## ENGINE

1. CYLINDER BLOCK
2. DRAIN PLUG
3. DRAIN PLUG
4. REMOTE DECOMP DEVICE
5. LABEL
6. CYLINDER HEAD & BONNET
7. AIR CLEANER
8. EXHAUST MUFFLER
9. CAMSHAFT
10. CRANKSHAFT
11. FLYWHEEL
12. FLYWHEEL
13. PISTON & CONNECTING ROD
14. BALANCER SHAFT
15. LUB. OIL PUMP & GOVERNOR
16. SWITCH(OIL PRESSURE)
17. COVER
18. COOLING FAN CASE
19. FUEL INJECTION PUMP & FUEL INJECTION VALVE
20. CONTROL DEVICE
21. RECOIL STARTER
22. STARTER MOTOR
23. ELECTRIC PARTS
24. DYNAMO

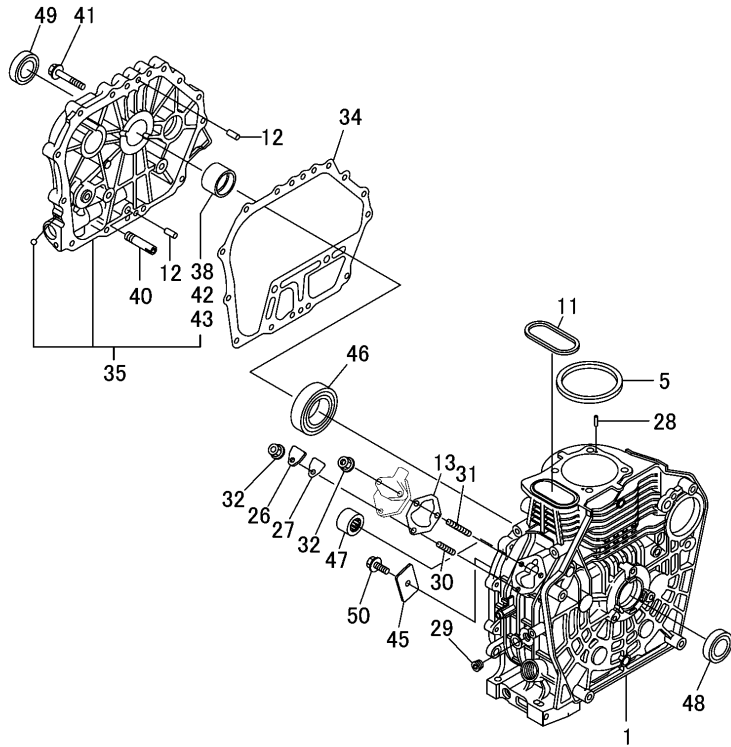
Fig. No. Fig. Name

25. ACCESSORY
26. GASKET SET & TOOL

Fig.1. CYLINDER BLOCK

(A)=L100V5-GEYYDG2  
 (B)=L100V5-GYYDG2  
 (C)=

(D)=  
 (E)=  
 (F)=

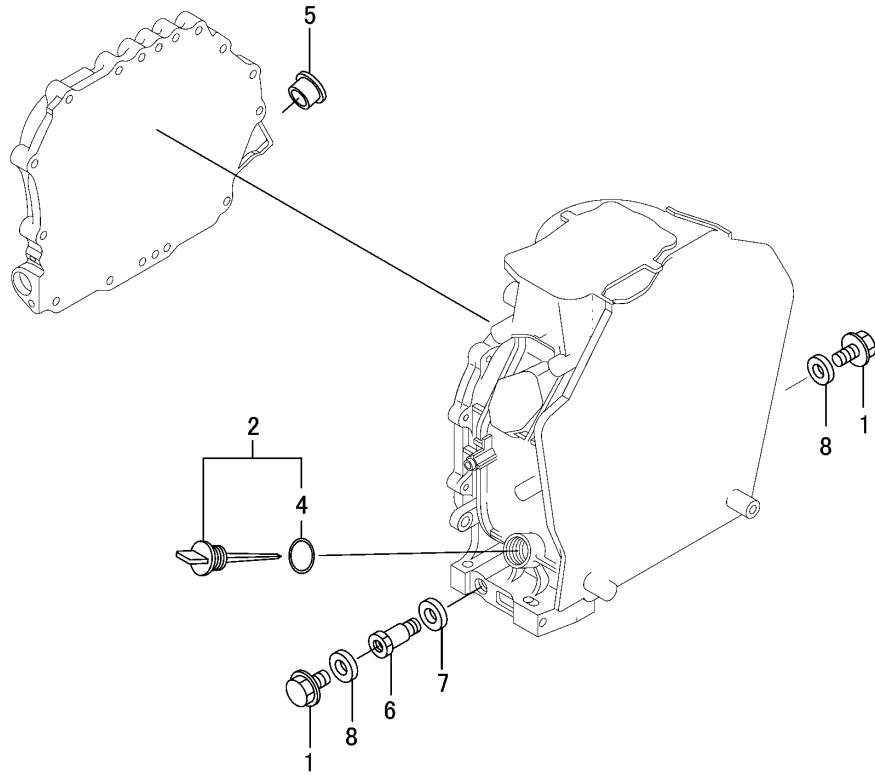


No.	Lev.	Parts No.	Description	Q'ty						I	R
				(A)	(B)	(C)	(D)	(E)	(F)		
1	1	114310-01010	BLOCK ASSY, CYLINDER	1	1						
5	1	114695-01331	GASKET, HEAD	1	1						
11	1	114699-01380	O-RING, TAPPET	1	1						
12	1	114299-01600	PIN, PARALLEL 8X12	2	2						
13	1	114299-01800	SHIM SET, PUMP	1	1						
26	1	114299-01830	COVER, PUMP	1	1						
27	1	114250-01841	GASKET, COVER	1	1						
28	1	22312-040080	PIN, PARALLEL M4X 8	2	2						
29	1	23875-020000	PLUG, R02	1	1						
30	1	26226-060182	STUD, M6X 18	1	1						
31	1	26226-060222	STUD, M6X 22	2	2						
32	1	26366-060002	NUT, M6	3	3						
34	1	114699-01410	GASKET, CASE COVER	1	1						
35	1	114311-01450	COVER, CRANKCASE D	1	1						
38	2	114940-02110	BEARING, MAIN	1	1						1
40	1	114299-35150	PIPE, OIL INLET	1	1						
41	1	26106-080352	BOLT, M8X 35 PLATED	16	16						
42	1	114940-02200	BEARING, MAIN 0.25OS	1	1						2
43	1	114940-02210	BEARING, MAIN 0.50OS	1	1						3
45	1	114299-02030	RETAINER, BEARING	1	1						
46	1	114650-02150	BEARING, HR6308G3C3	1	1						
47	1	24162-152220	BEARING, 152220	1	1						
48	1	24423-355008	SEAL, OIL TC355008	1	1						
49	1	24423-355008	SEAL, OIL TC355008	1	1						
50	1	26106-080122	BOLT, M8X 12 PLATED	1	1						

Remarks

- (1) Spare parts.
- (2) Over-sized (O.S.=0.25) parts.
- (3) Over-sized (O.S.=0.50) parts.

Fig.2. DRAIN PLUG

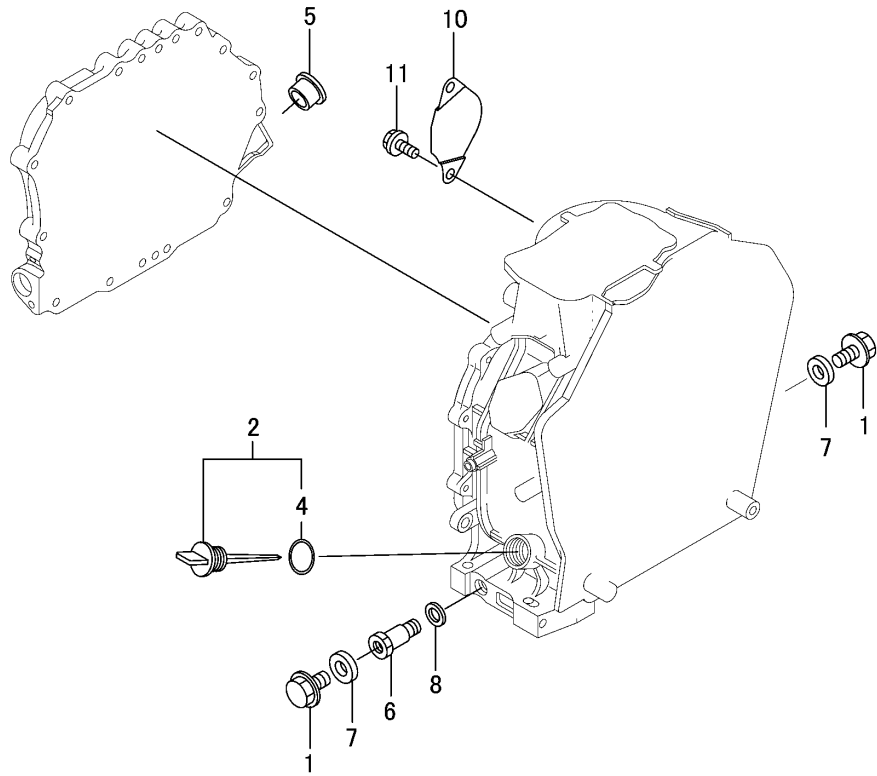


(A)=L100V5-GEYYDG2  
 (B)=L100V5-GYYDG2  
 (C)=

(D)=  
 (E)=  
 (F)=

No.	Lev.	Parts No.	Description	Q'ty						I	R
				(A)	(B)	(C)	(D)	(E)	(F)		
1	1	114299-01690	PLUG, DRAIN 16	2							
2	1	114699-01760	CAP ASSY, OIL SUPPLY	1							
4	2	114299-01950	O-RING, 18	1							
5	1	114940-01870	PLUG, RUBBER 22	1							
6	1	183279-08350	NIPPLE, DRAIN	1							
7	1	22190-160002	WASHER, SEAL 16	1							
8	1	22190-160002	WASHER, SEAL 16	2							

Fig.3. DRAIN PLUG

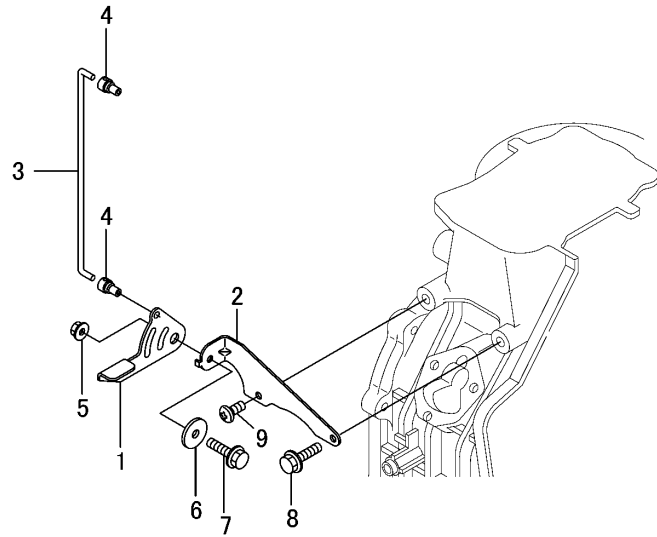


(A)=L100V5-GEYYDG2  
 (B)=L100V5-GYYDG2  
 (C)=

(D)=  
 (E)=  
 (F)=

No.	Lev.	Parts No.	Description	Q'ty						I	R
				(A)	(B)	(C)	(D)	(E)	(F)		
1	1	114299-01690	PLUG, DRAIN 16		2						
2	1	114699-01760	CAP ASSY, OIL SUPPLY		1						
4	2	114299-01950	O-RING, 18		1						
5	1	114940-01870	PLUG, RUBBER 22		1						
6	1	183279-08350	NIPPLE, DRAIN		1						
7	1	22190-160002	WASHER, SEAL 16		2						
8	1	22190-160002	WASHER, SEAL 16		1						
10	1	114399-01700	COVER, STARTER		1						
11	1	26106-100122	BOLT, M10X 12 PLATED		2						

Fig.4. REMOTE DECOMP DEVICE



(A)=L100V5-GEYYDG2  
 (B)=L100V5-GYYDG2  
 (C)=

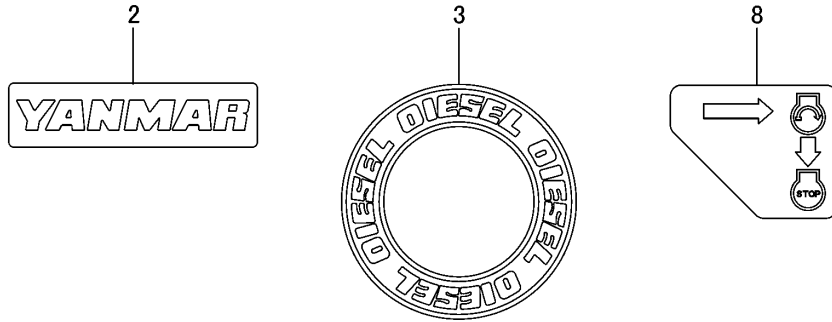
(D)=  
 (E)=  
 (F)=

No.	Lev.	Parts No.	Description	Q'ty						I	R
				(A)	(B)	(C)	(D)	(E)	(F)		
1	1	183250-03410	LEVER, DECOMPRESSION	1	1						
2	1	114210-03450	BRACKET, LEVER	1	1						
3	1	114320-03510	LINK, DECOMPRESSION	1	1						
4	1	183250-03550	JOINT	2	2						
5	1	114299-12300	NUT	1	1						
6	1	160670-66350	COLLAR	1	1						
7	1	26106-060142	BOLT, M6X 14 PLATED	1	1						
8	1	26106-060142	BOLT, M6X 14 PLATED	1	1						
9	1	26557-060142	SCREW M 6X 14	1	1						

Fig.5. LABEL

(A)=L100V5-GEYYDG2  
 (B)=L100V5-GYYDG2  
 (C)=

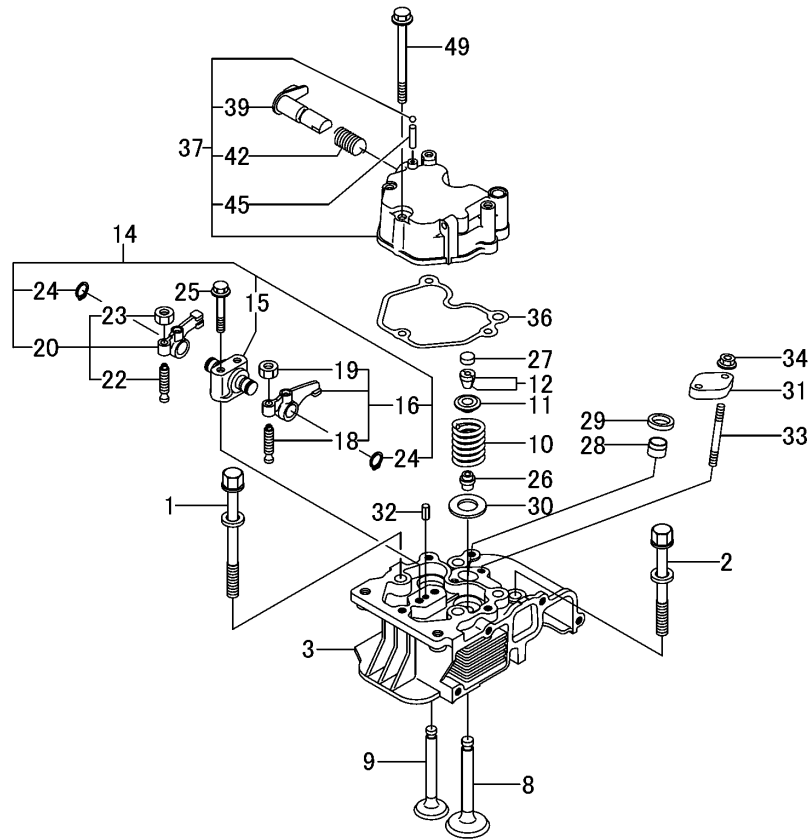
(D)=  
 (E)=  
 (F)=



No.	Lev.	Parts No.	Description	Q'ty						I	R
				(A)	(B)	(C)	(D)	(E)	(F)		
2	1	114299-07111	LABEL, YANMAR MARK B	1	1						
3	1	114299-07160	LABEL, DIESEL	1	1						
8	1	114220-07151	LABEL, CONSTANT SPEE	1	1						



Fig.6. CYLINDER HEAD & BONNET

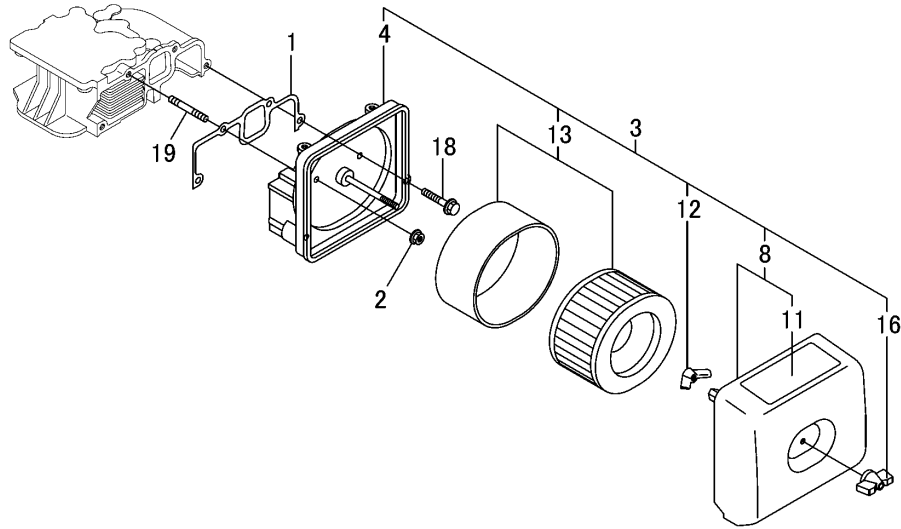


(A)=L100V5-GEYYDG2  
 (B)=L100V5-GYYDG2  
 (C)=

(D)=  
 (E)=  
 (F)=

No.	Lev.	Parts No.	Description	Q'ty						I	R
				(A)	(B)	(C)	(D)	(E)	(F)		
1	1	114310-01200	BOLT, HEAD A	2	2						
2	1	114310-01210	BOLT, HEAD B	2	2						
3	1	114310-11050	HEAD ASSY, CYLINDER	1	1						
8	1	11431C-11100	VALVE, INTAKE	1	1						
9	1	11431C-11110	VALVE, EXHAUST	1	1						
10	1	114310-11120	SPRING, VALVE	2	2						
11	1	114310-11180	RETAINER, SPRING	2	2						
12	1	114310-11930	COTTER ASSY	2	2						
14	1	11431C-11250	SUPPORT ASSY, ARM	1	1						
15	2	11431C-11260	SUPPORT, ROCKER ARM	1	1						
16	2	11431C-11650	ARM, ROCKER	1	1						
18	3	114250-11240	SCREW, VALVE ADJUST	1	1						
19	3	26856-060002	NUT, M6	1	1						
20	2	11431C-11660	ARM, ROCKER	1	1						
22	3	114250-11240	SCREW, VALVE ADJUST	1	1						
23	3	26856-060002	NUT, M6	1	1						
24	2	22242-000150	RING, 15	2	2						
25	1	114310-11290	BOLT, SUPPORT	2	2						
26	1	114650-11341	SEAL, VALVE STEM	2	2						
27	1	104211-11370	CAP, VALVE	2	2						
28	1	114240-11450	PROTECTOR, NOZZLE	1	1						
29	1	114240-11550	SEAT, NOZZLE	1	1						
30	1	114699-11600	WASHER	2	2						
31	1	114210-11901	RETAINER, VALVE	1	1						
32	1	22351-040008	PIN, SPRING 4.0X 8	1	1						
33	1	26226-060552	STUD, M6X 55	2	2						
34	1	26366-060002	NUT, M6	2	2						
36	1	114310-11310	GASKET, BONNET	1	1						
37	1	114310-11960	BONNET ASSY, HEAD	1	1						
39	2	114210-03580	DECOMPRESSION ASSY	1	1						
42	2	114299-03640	SPRING, DECOMPRESSION	1	1						
45	2	22312-030160	PIN, PARALLEL M3X16	1	1						
49	1	26106-060652	BOLT, M6X 65 PLATED	3	3						

Fig.7. AIR CLEANER



(A)=L100V5-GEYYDG2  
 (B)=L100V5-GYYDG2  
 (C)=

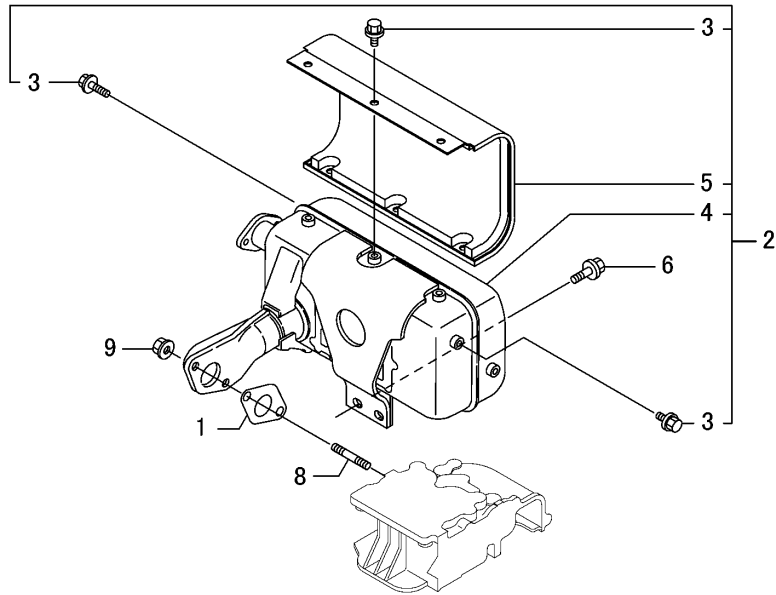
(D)=  
 (E)=  
 (F)=

No.	Lev.	Parts No.	Description	Q'ty						I	R
				(A)	(B)	(C)	(D)	(E)	(F)		
1	1	114310-12210	GASKET, AIR CLEANER	1	1						
2	1	114299-12300	NUT	3	3						
3	1	114310-12511	CLEANER ASSY, AIR	1	1						
4	2	114310-12010	BODY ASSY, CLEANER	1	1						
8	2	114210-12500	COVER ASSY, CLEANER	1	1						
11	3	114210-12610	LABEL, AIR CLEANER	1	1						
12	2	114210-12560	NUT, WING	1	1						
13	2	114210-12590	ELEMENT ASSY	1	1						
16	2	114210-12600	KNOB	1	1						
18	1	26106-060402	BOLT, M6X 40 PLATED	1	1						
19	1	26226-060352	STUD, M6X 35	3	3						

Fig.8. EXHAUST MUFFLER

(A)=L100V5-GEYYDG2  
 (B)=L100V5-GYYDG2  
 (C)=

(D)=  
 (E)=  
 (F)=

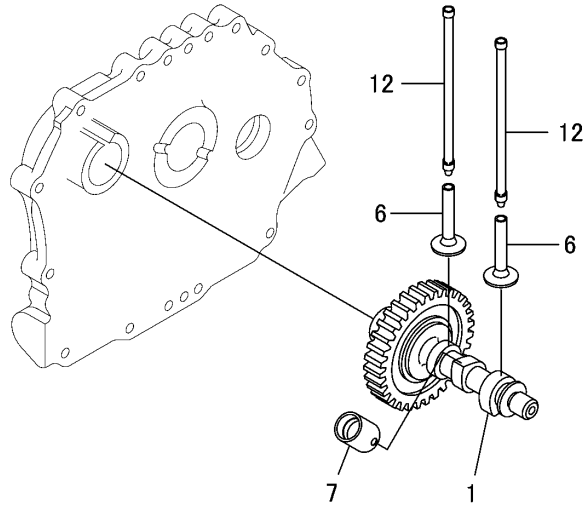


No.	Lev.	Parts No.	Description	Q'ty						I	R
				(A)	(B)	(C)	(D)	(E)	(F)		
1	1	114310-13200	GASKET, MUFFLER	1	1						
2	1	114339-13500	MUFFLER ASSY	1	1						
3	2	26106-060082	BOLT, M6X 8 PLATED	6	6						
4	2	114339-13560	MUFFLER	1	1						
5	2	114339-13700	COVER, MUFFLER	1	1						
6	1	26106-080202	BOLT, M8X 20 PLATED	2	2						
8	1	26216-080182	STUD, M8X 18	2	2						
9	1	26306-080002	NUT, M8	2	2						

Fig.9. CAMSHAFT

(A)=L100V5-GEYYDG2  
 (B)=L100V5-GYYDG2  
 (C)=

(D)=  
 (E)=  
 (F)=



No.	Lev.	Parts No.	Description	Q'ty						I	R
				(A)	(B)	(C)	(D)	(E)	(F)		
1	1	114310-14580	CAMSHAFT ASSY	1	1						
6	1	114310-14200	TAPPET	2	2						
7	1	114210-14300	TAPPET ASSY, ROLLER	1	1						
12	1	114320-14400	ROD ASSY, PUSH	2	2						

---

---

---

---

---

---

---

---

---

---

---

---

---

---

---

---

---

---

---

---

---

---

---

---

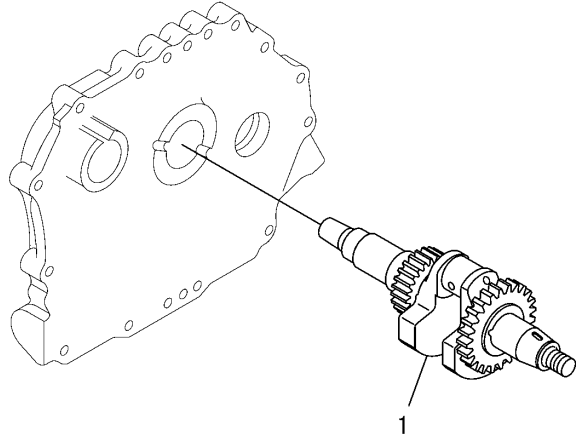
---

---

Fig.10. CRANKSHAFT

(A)=L100V5-GEYYDG2  
 (B)=L100V5-GYYDG2  
 (C)=

(D)=  
 (E)=  
 (F)=

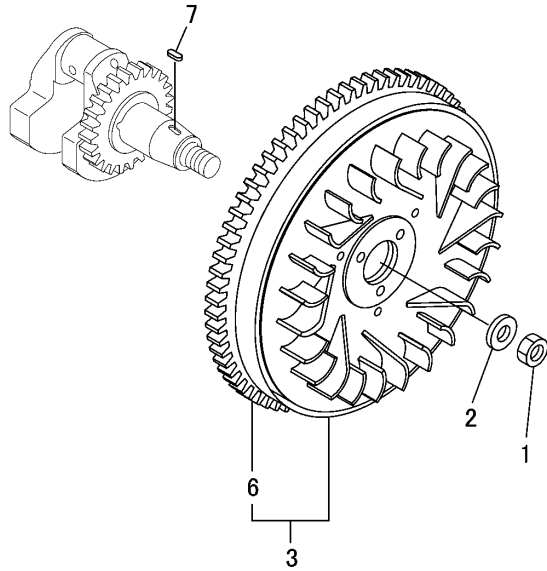


No.	Lev.	Parts No.	Description	Q'ty						I	R	
				(A)	(B)	(C)	(D)	(E)	(F)			
1	1	11431C-21840	CRANKSHAFT ASSY,E-DG	1	1							

Fig.11. FLYWHEEL

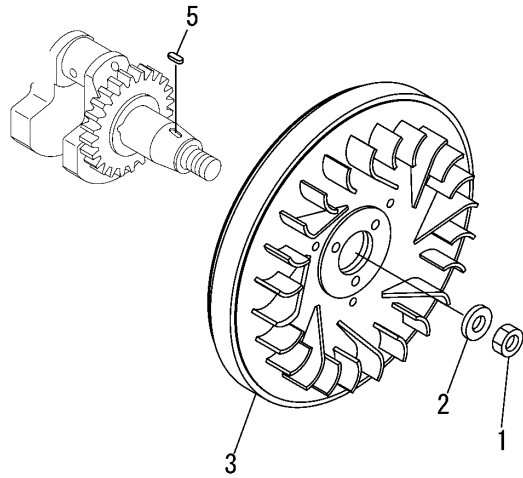
(A)=L100V5-GEYYDG2  
 (B)=L100V5-GYYDG2  
 (C)=

(D)=  
 (E)=  
 (F)=



No.	Lev.	Parts No.	Description	Q'ty						I	R
				(A)	(B)	(C)	(D)	(E)	(F)		
1	1	114699-21220	NUT, WHEEL	1							
2	1	114699-21550	WASHER, FLYWHEEL	1							
3	1	114699-21600	FLYWHEEL ASSY, DE	1							
6	2	114699-21630	GEAR, RING	1							
7	1	22512-050140	KEY, 5X 14	1							

Fig.12. FLYWHEEL



(A)=L100V5-GEYYDG2  
 (B)=L100V5-GYYDG2  
 (C)=

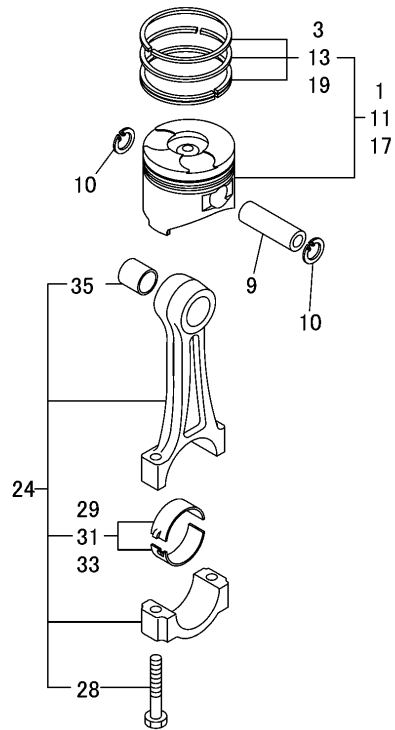
(D)=  
 (E)=  
 (F)=

No.	Lev.	Parts No.	Description	Q'ty						I	R
				(A)	(B)	(C)	(D)	(E)	(F)		
1	1	114699-21220	NUT, WHEEL		1						
2	1	114699-21550	WASHER, FLYWHEEL		1						
3	1	114699-21420	FLYWHEEL, D.DE		1						
5	1	22512-050140	KEY, 5X 14		1						

Fig.13. PISTON & CONNECTING ROD

(A)=L100V5-GEYYDG2  
 (B)=L100V5-GYYDG2  
 (C)=

(D)=  
 (E)=  
 (F)=



No.	Lev.	Parts No.	Description	Q'ty						I	R
				(A)	(B)	(C)	(D)	(E)	(F)		
1	1	714310-22720	PISTON ASSY, D	1	1						
3	2	714310-22500	RING SET, PISTON	1	1						
9	1	114699-22300	PIN, PISTON D=23	1	1						
10	1	114310-22500	RING, SEEGER J23	2	2						
11	1	714310-22620	PISTON ASSY, 0.25 OS	1	1						1
13	2	714310-22540	RING SET, PISTON .25	1	1						1
17	1	714310-22580	PISTON ASSY, 0.50 OS	1	1						2
19	2	714310-22550	RING SET, PISTON .50	1	1						2
24	1	11432C-23700	ROD ASSY, CONNECTING	1	1						
28	2	114310-23200	BOLT, CONNECTING ROD	2	2						
29	2	114940-23600	METAL ASSY, CRANK PIN	1	1						
31	1	114940-23610	METAL ASSY, PIN .25	1	1						1
33	1	114940-23620	METAL ASSY, PIN .50	1	1						2
35	1	114940-23910	BUSH, PISTON PINN	1	1						3

Remarks

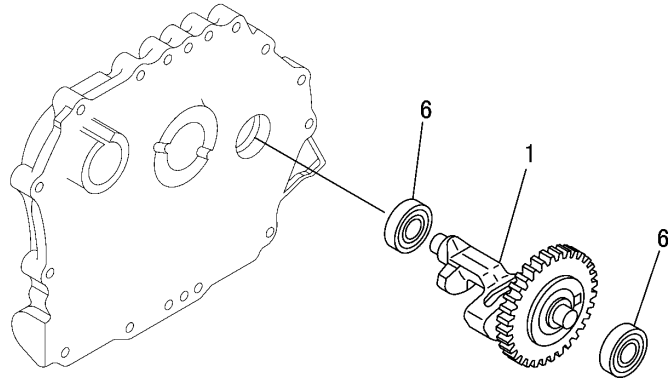
- (1)Over-sized(O.S.=0.25) parts.
- (2)Over-sized(O.S.=0.50) parts.
- (3)Spare parts.



Fig.14. BALANCER SHAFT

(A)=L100V5-GEYYDG2  
 (B)=L100V5-GYYDG2  
 (C)=

(D)=  
 (E)=  
 (F)=

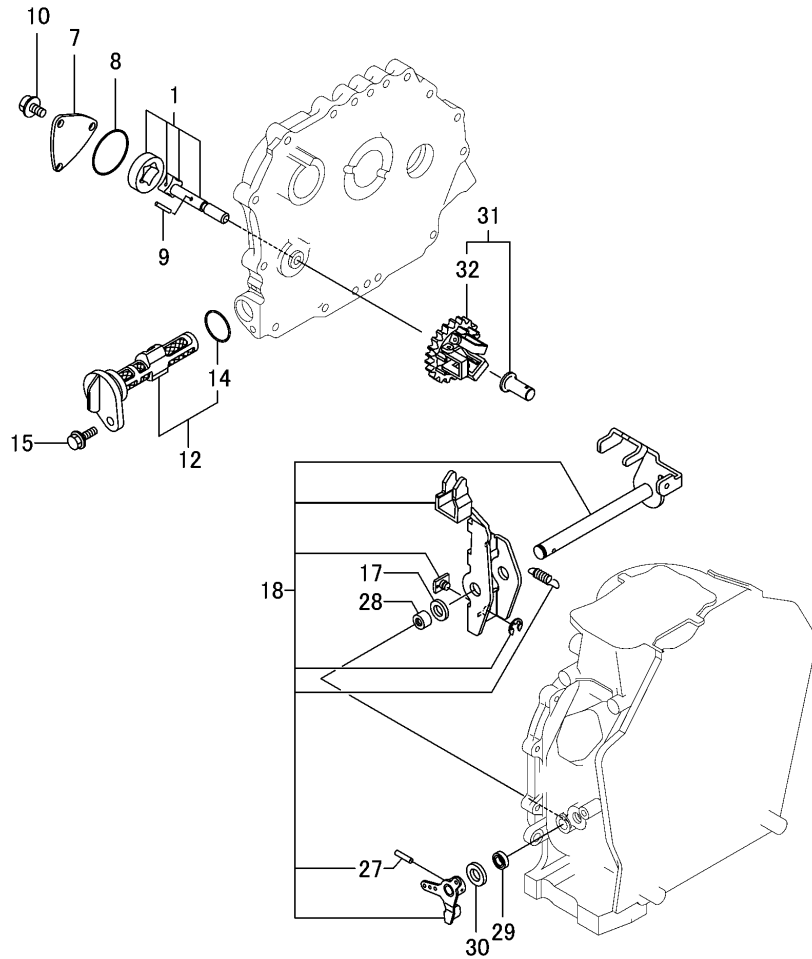


No.	Lev.	Parts No.	Description	Q'ty						I	R
				(A)	(B)	(C)	(D)	(E)	(F)		
1	1	714310-28510	SHAFT ASSY, BALANCER	1	1						
6	1	24101-063040	BEARING, BALL 6304C3	2	2						

Fig.15. LUB. OIL PUMP & GOVERNOR

(A)=L100V5-GEYYDG2  
 (B)=L100V5-GYYDG2  
 (C)=

(D)=  
 (E)=  
 (F)=

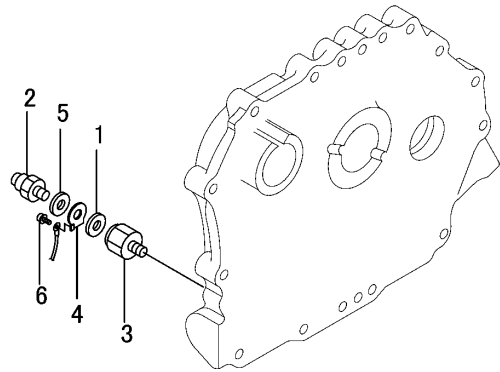


No.	Lev.	Parts No.	Description	Q'ty						I	R
				(A)	(B)	(C)	(D)	(E)	(F)		
1	1	114650-32010	PUMP ASSY, OIL	1	1						
7	1	114299-32070	COVER, OIL PUMP	1	1						
8	1	114299-32570	O-RING, PUMP COVER	1	1						
9	1	22312-030160	PIN, PARALLEL M3X16	1	1						
10	1	26106-060122	BOLT, M6X 12 PLATED	3	3						
12	1	114299-35110	FILTER ASSY, OIL	1	1						
14	2	24341-000224	O-RING, 1AS22.4	1	1						
15	1	26106-060162	BOLT, M6X 16 PLATED	1	1						
17	1	114299-61190	WASHER, GOVERNOR	1	1						
18	1	114311-61500	LEVER ASSY, GOVERNOR	1	1						1
27	2	22322-030200	PIN, TAPER 3X20	1	1						
28	1	114770-61520	BEARING, NEEDLE	2	2						
29	1	114299-61600	SEAL, OIL	1	1						
30	1	114770-61610	WASHER, THRUST	1	1						
31	1	714210-61701	GOVERNOR ASSY	1	1						
32	2	114210-61290	WEIGHT ASSY,GOVERNOR	1	1						

Remarks

(1)On a guarantee of quality, component parts shall not be sold.

Fig.16. SWITCH(OIL PRESSURE)



(A)=L100V5-GEYYDG2  
 (B)=L100V5-GYYDG2  
 (C)=

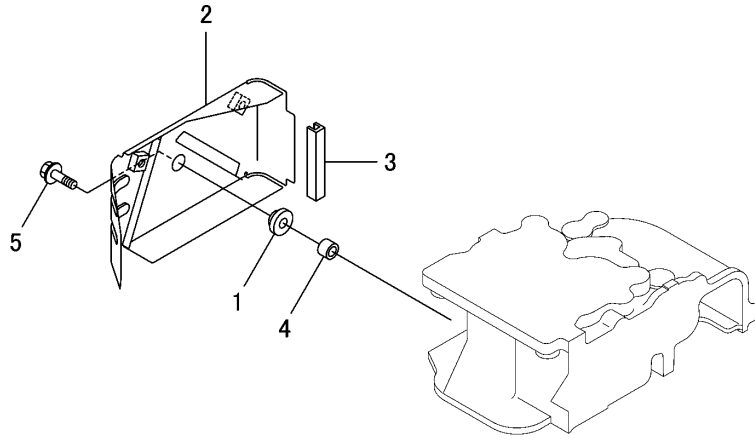
(D)=  
 (E)=  
 (F)=

No.	Lev.	Parts No.	Description	Q'ty						I	R
				(A)	(B)	(C)	(D)	(E)	(F)		
1	1	114110-39291	WASHER, RUBBER	1	1						
2	1	183250-39450	SWITCH, PRESSURE	1	1						
3	1	183366-39460	JOINT, INSULATING	1	1						
4	1	171022-39470	TERMINAL, EARTH	1	1						
5	1	22117-100000	WASHER, 10	1	1						
6	1	26557-040082	SCREW, M4X 8	1	1						

Fig.17. COVER

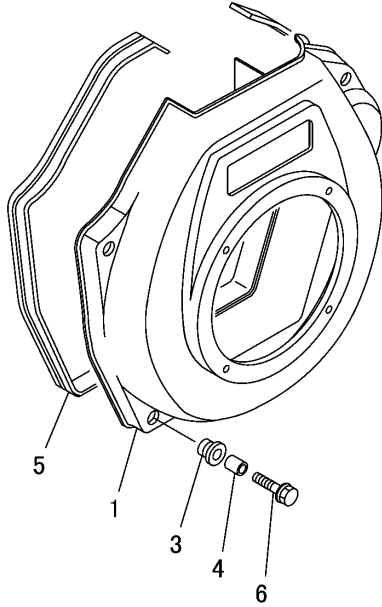
(A)=L100V5-GEYYDG2  
 (B)=L100V5-GYYDG2  
 (C)=

(D)=  
 (E)=  
 (F)=



No.	Lev.	Parts No.	Description	Q'ty						I	R
				(A)	(B)	(C)	(D)	(E)	(F)		
1	1	114299-45220	GROMMET, TANK	1	1						
2	1	114310-45260	COVER, SIDE B	1	1						
3	1	114399-45320	RUBBER, SEAL	1	1						
4	1	114399-45340	COLLAR	1	1						
5	1	26106-060202	BOLT, M6X 20 PLATED	1	1						

Fig.18. COOLING FAN CASE



(A)=L100V5-GEYYDG2  
 (B)=L100V5-GYYDG2  
 (C)=

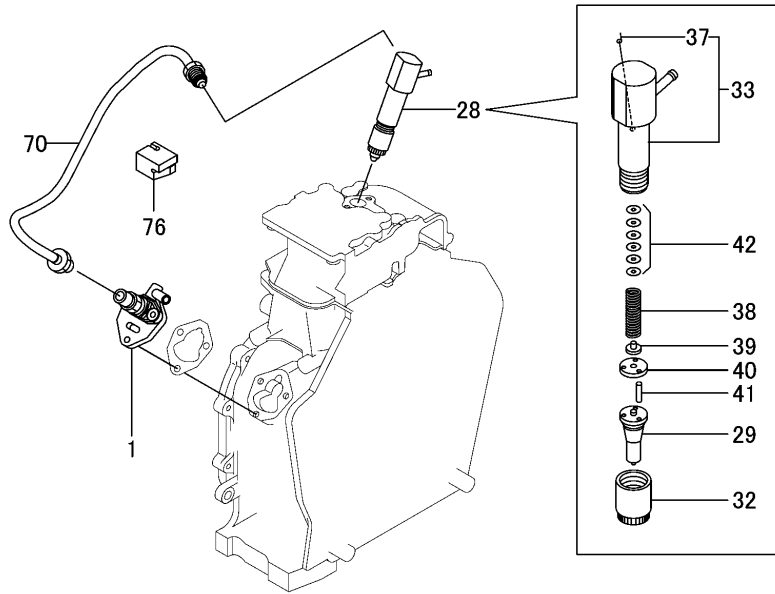
(D)=  
 (E)=  
 (F)=

No.	Lev.	Parts No.	Description	Q'ty						I	R
				(A)	(B)	(C)	(D)	(E)	(F)		
1	1	114310-45150	CASE, COOLING FAN	1	1						
3	1	114299-45301	RUBBER, FAN CASE	4	4						
4	1	114299-45310	COLLAR, FAN CASE	4	4						
5	1	114699-45331	SEAL, FAN CASE	1	1						
6	1	114299-45350	BOLT, FAN CASE	4	4						

Fig.19. FUEL INJECTION PUMP & FUEL INJECTION VALVE

(A)=L100V5-GEYYDG2  
 (B)=L100V5-GYYDG2  
 (C)=

(D)=  
 (E)=  
 (F)=



No.	Lev.	Parts No.	Description	Q'ty						I	R
				(A)	(B)	(C)	(D)	(E)	(F)		
1	1	714349-51430	PUMP ASSY, INJECTION	1	1						1
28	1	714349-53100	VALVE ASSY,INJECTION	1	1						
29	2	114349-53000	VALVE ASSY,INJECTION	1	1						
32	2	114250-53080	NUT, NOZZLE	1	1						
33	2	114339-53100	HOLDER ASSY, NOZZLE	1	1						
37	3	22351-025005	PIN, SPRING 2.5X 6	1	1						
38	2	114250-53120	SPRING, NOZZLE	1	1						
39	2	114250-53130	SEAT, SPRING	1	1						
40	2	114250-53140	SPACER, VALVE STOP	1	1						
41	2	114250-53210	PIN, POSITIONING	2	2						
42	2	119803-53400	SHIM SET	1	1						
70	1	114310-59820	PIPE ASSY, INJECTION	1	1						
76	1	114699-59850	SUPPORT, PIPE	1	1						

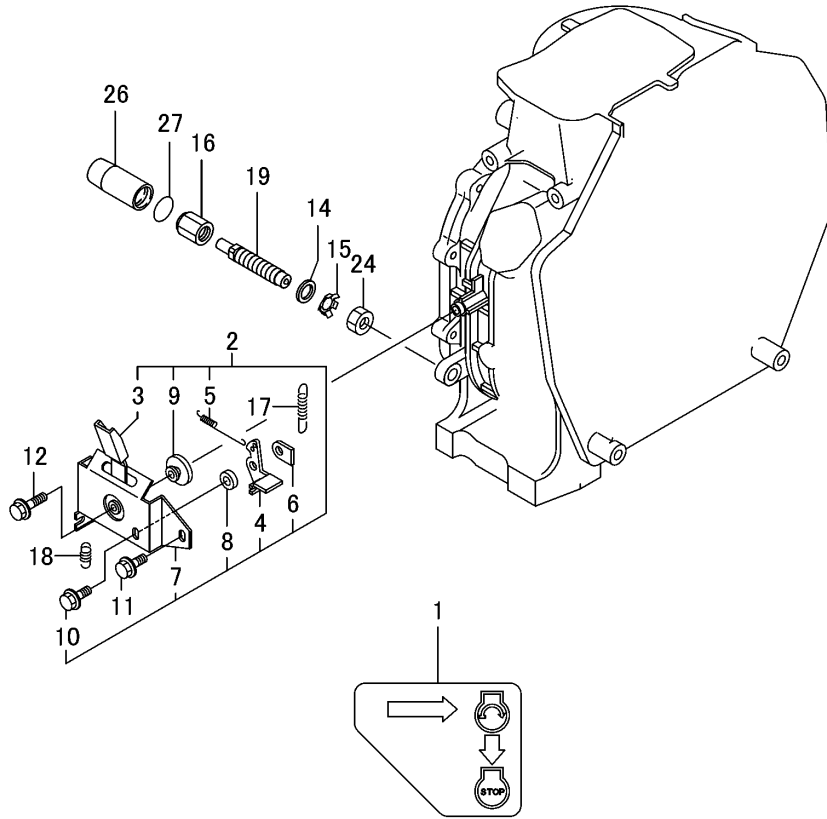
Remarks

(1)On a guarantee of quality, component parts shall not be sold.

Fig.20. CONTROL DEVICE

(A)=L100V5-GEYYDG2  
 (B)=L100V5-GYYDG2  
 (C)=

(D)=  
 (E)=  
 (F)=

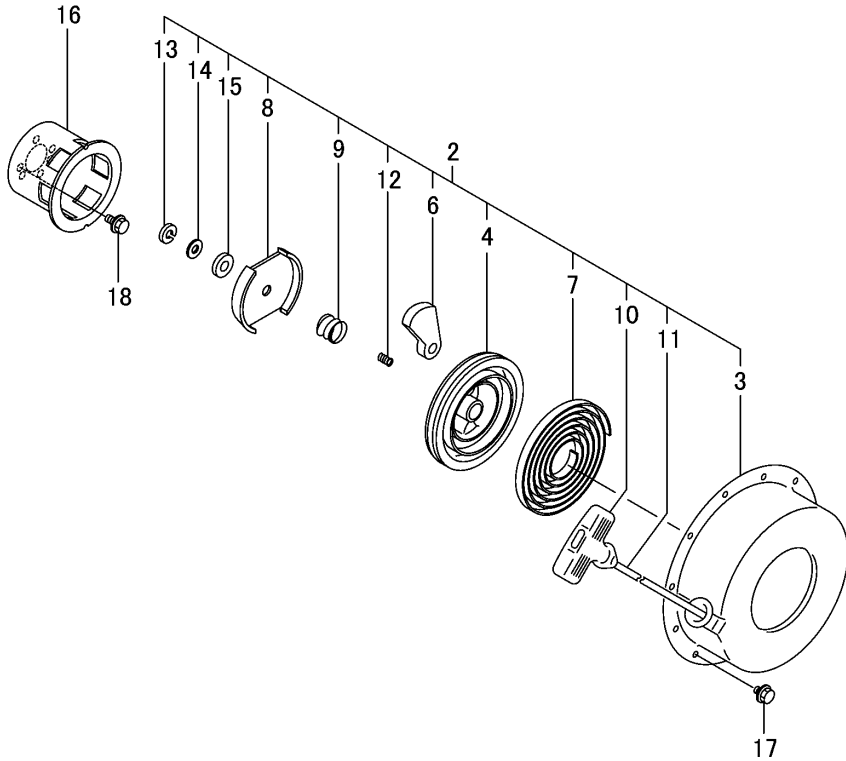


No.	Lev.	Parts No.	Description	Q'ty						I	R
				(A)	(B)	(C)	(D)	(E)	(F)		
1	1	114220-07151	LABEL, CONSTANT SPEE	1	1						
2	1	114210-66511	BRACKET ASSY, HANDLE	1	1						
3	2	114210-66300	HANDLE, REGULATOR	1	1						
4	2	183250-66321	LEVER, LOCK	1	1						
5	2	114210-66330	SPRING, LOCK LEVER	1	1						
6	2	183250-66341	NUT, DETENT M6	1	1						
7	2	114210-66350	BRACKET, HANDLE	1	1						
8	2	183250-66361	COLLAR, LOCK LEVER	1	1						
9	2	183250-66371	COLLAR, LEVER	1	1						
10	2	26106-060162	BOLT, M6X 16 PLATED	1	1						
11	1	26106-060142	BOLT, M6X 14 PLATED	1	1						
12	1	26106-060202	BOLT, M6X 20 PLATED	1	1						
14	1	114295-61810	WASHER, PLAIN 14	1	1						
15	1	114771-61830	PLATE	1	1						
16	1	114295-61940	NUT, PROTECTOR M14	1	1						
17	1	114320-66020	SPRING, REGULATOR	1	1						
18	1	114299-66201	SPRING, RETURN	1	1						
19	1	114212-66600	LIMITER ASSY, FO	1	1						
24	1	114295-66690	NUT, LOCK M14	1	1						
26	1	114310-61910	PROTECTOR	1	1						
27	1	24311-000180	O-RING, 1AP18.0	1	1						

Fig.21. RECOIL STARTER

(A)=L100V5-GEYYDG2  
 (B)=L100V5-GYYDG2  
 (C)=

(D)=  
 (E)=  
 (F)=



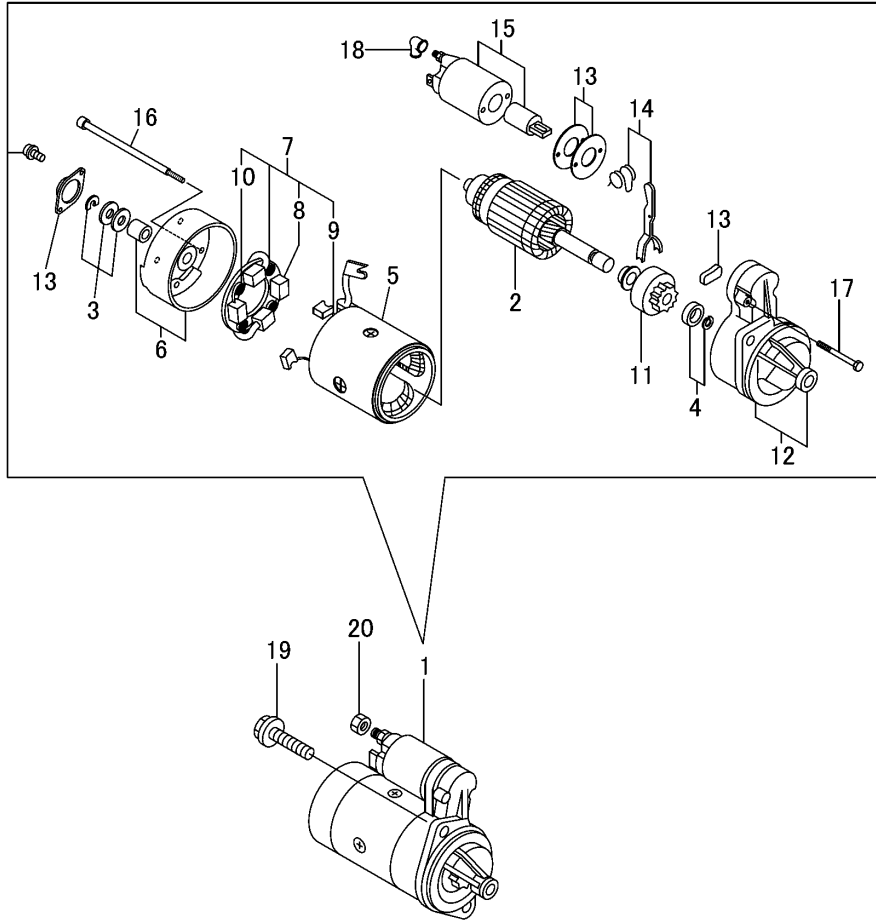
No.	Lev.	Parts No.	Description	Q'ty						I	R
				(A)	(B)	(C)	(D)	(E)	(F)		
2	2	114699-76251	STARTER ASSY, RECOIL	1	1						
3	3	114699-76510	CASE, STARTER	1	1						
4	3	114699-76521	REEL, RECOIL STARTER	1	1						
6	3	114699-76531	RATCHET	2	2						
7	3	114399-76540	SPRING, SPIRAL	1	1						
8	3	114699-76551	GUIDE, RATCHET	1	1						
9	3	114699-76560	SPRING, FRICTION	1	1						
10	3	114399-76620	KNOB, STARTER	1	1						
11	3	114699-76630	ROPE, STARTER	1	1						
12	3	114699-76650	SPRING, COMPRESSION	1	1						
13	3	114699-76660	RING, RETAINING	1	1						
14	3	114699-76670	WASHER	1	1						
15	3	114699-76680	WASHER	1	1						
16	2	114699-76592	PULLEY, STARTER	1	1						
17	1	26106-060082	BOLT, M6X 8 PLATED	4	4						
18	1	26106-060122	BOLT, M6X 12 PLATED	3	3						



Fig.22. STARTER MOTOR

(A)=L100V5-GEYYDG2  
 (B)=L100V5-GYYDG2  
 (C)=

(D)=  
 (E)=  
 (F)=

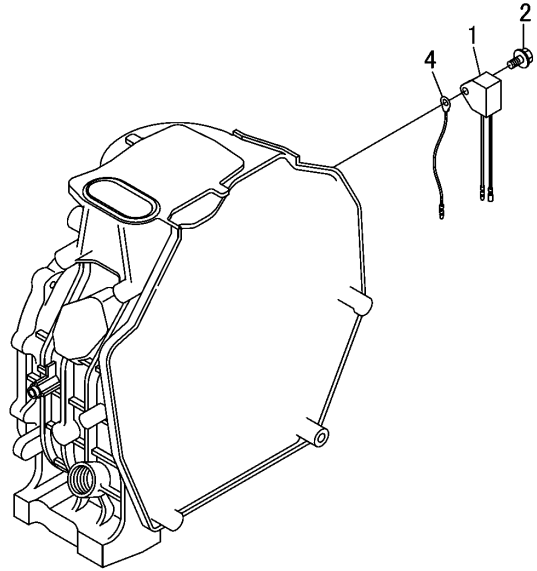


No.	Lev.	Parts No.	Description	Q'ty						I	R
				(A)	(B)	(C)	(D)	(E)	(F)		
1	1	114362-77011	STARTER ASSY, D	1							
2	2	114381-77110	ARMATURE	1							
3	2	X2114811000	WASHER KIT, THRUST	1							
4	2	X2114715500	STOPPER SET, PINION	1							
5	2	114381-77130	COIL ASSY, FIELD	1							
6	2	114381-77140	COVER	1							
7	2	114371-77160	HOLDER ASSY, BRUSH	1							
8	3	114371-79040	BRUSH, -	2							
9	3	114371-79050	BRUSH SET, +	1							
10	3	114371-79060	SPRING, BRUSH	4							
11	2	X211485016	PINION ASSY	1							
12	2	114381-77151	CASE ASSY, GEAR	1							
13	2	114371-77170	COVER KIT, DUST	1							
14	2	114371-77180	LEVER KIT, SHIFT	1							
15	2	124298-77020	SWITCH, MAGNET	1							
16	2	124195-77770	BOLT, THROUGH	2							
17	2	114371-79070	BOLT, M6	2							
18	2	X2114274200	COVER, TERMINAL	1							
19	1	26106-100302	BOLT, M10X 30 PLATED	2							
20	1	26716-080002	NUT, M8	1							

Fig.23. ELECTRIC PARTS

(A)=L100V5-GEYYDG2  
(B)=L100V5-GYYDG2  
(C)=

(D)=  
(E)=  
(F)=



No.	Lev.	Parts No.	Description	Q'ty						I	R
				(A)	(B)	(C)	(D)	(E)	(F)		
1	1	160970-77350	RECTIFIER, ZR2117	1							
2	1	26106-060122	BOLT, M6X 12 PLATED	1							
4	1	183350-77400	LEAD WIRE	1							

---

---

---

---

---

---

---

---

---

---

---

---

---

---

---

---

---

---

---

---

---

---

---

---

---

---

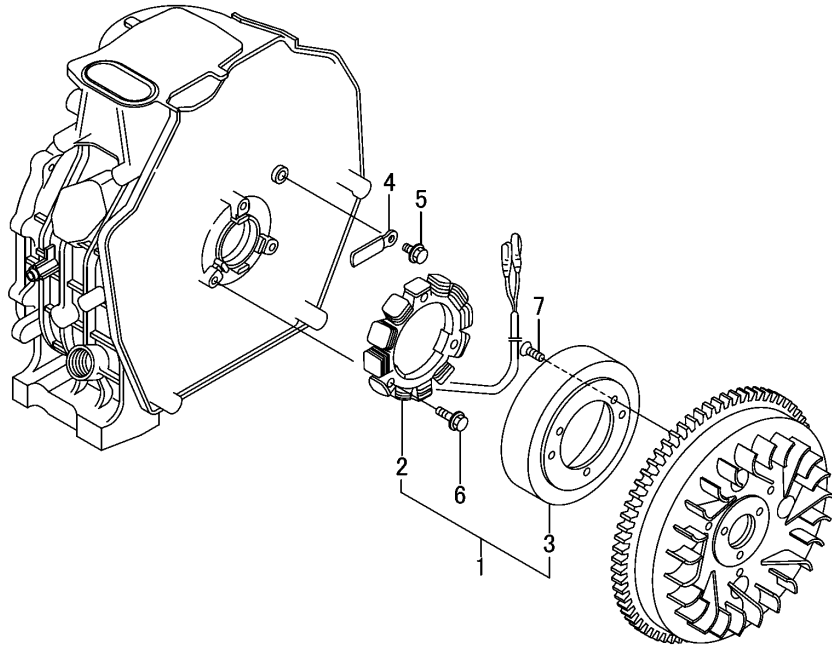
---

N:Old  $\begin{matrix} \leftarrow \text{Yes} \\ \text{No} \end{matrix}$  New, Q:Old  $\begin{matrix} \leftarrow \text{No} \\ \text{Yes} \end{matrix}$  New, R:Old  $\begin{matrix} \leftarrow \text{Yes} \\ \text{Yes} \end{matrix}$  New, S:Old  $\begin{matrix} \leftarrow \text{No} \\ \text{No} \end{matrix}$  New, W:Add, Z:Discontinued, F:Interchangeable by set, K:Q'ty Change  
Copyright (C) 2021 YANMAR GLOBAL CS CO., LTD. All Rights Reserved.

Fig.24. DYNAMO

(A)=L100V5-GEYYDG2  
 (B)=L100V5-GYYDG2  
 (C)=

(D)=  
 (E)=  
 (F)=

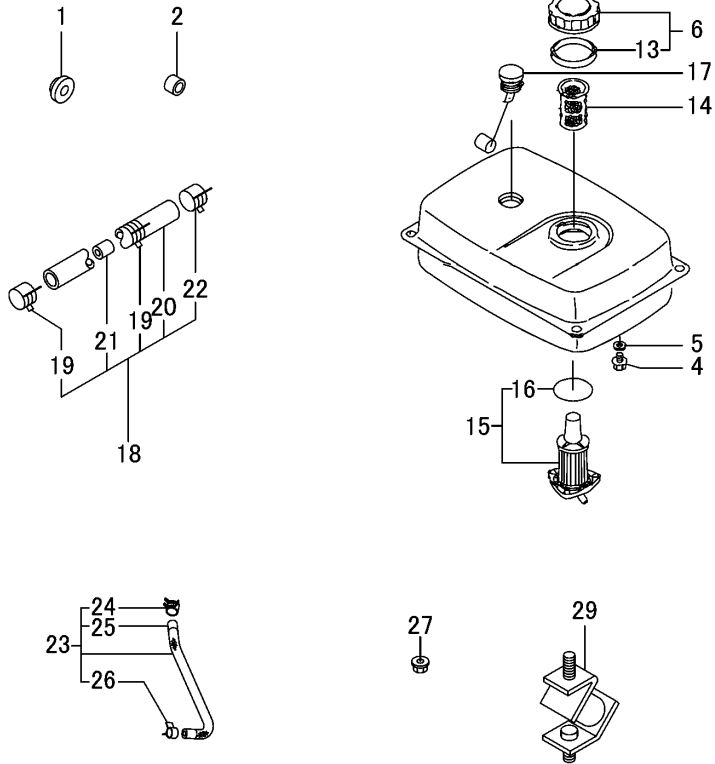


No.	Lev.	Parts No.	Description	Q'ty						I	R
				(A)	(B)	(C)	(D)	(E)	(F)		
1	1	114399-78270	DINAMO ASSY, 1A	1							
2	2	114399-78750	STATOR ASSY, 1A	1							
3	2	114399-78760	WHEEL, DYNAMO 1A	1							
4	1	160710-78710	CLAMP, CORD	1							
5	1	26106-060122	BOLT, M6X 12 PLATED	1							
6	1	26106-060202	BOLT, M6X 20 PLATED	2							
7	1	114210-78800	SCREW, M6	3							

Fig.25. ACCESSORY

(A)=L100V5-GEYYDG2  
 (B)=L100V5-GYYDG2  
 (C)=

(D)=  
 (E)=  
 (F)=

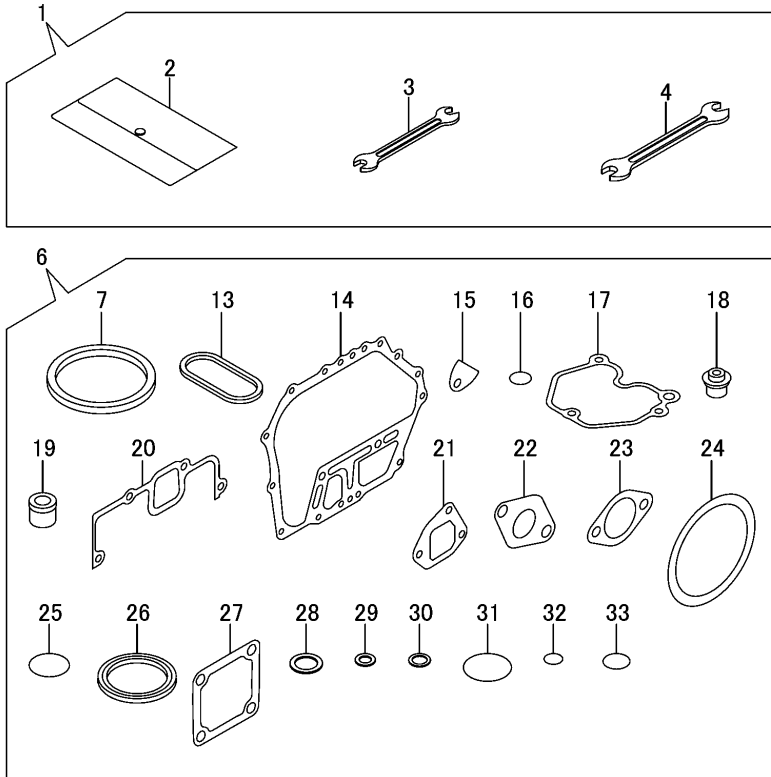


No.	Lev.	Parts No.	Description	Q'ty						I	R
				(A)	(B)	(C)	(D)	(E)	(F)		
1	1	114299-45220	GROMMET, TANK	4	4						
2	1	114399-45340	COLLAR	4	4						
4	2	104200-55080	PLUG, DRAIN M12	1	1						
5	2	22190-120002	WASHER, SEAL 12	1	1						
6	1	160710-55061	CAP ASSY, FUEL TANK	1	1						
13	2	160393-55050	GASKET	1	1						
14	1	160710-55100	FILTER, FUEL	1	1						
15	1	183254-55120	FILTER, FUEL	1	1						
16	2	24341-000450	O-RING, 1AS45.0	1	1						
17	1	183621-55150	GAUGE, FUEL	1	1						
18	1	114453-59012	PIPE ASSY, FUEL	1	1						
19	2	124000-03300	CLAMP, HOSE 13.5	2	2						
20	2	114453-59052	HOSE, FUEL	1	1						
21	2	114249-59410	PIECE, PIPE	1	1						
22	2	23080-014000	CLAMP, 14	1	1						
23	1	114220-59330	PIPE ASSY, FO RETURN	1	1						
24	2	124722-59050	CLAMP, HOSE 9	1	1						
25	2	114353-59061	PIPE, FO RETURN	1	1						
26	2	124066-59100	CLAMP, HOSE 8	1	1						
27	1	26366-060002	NUT, M6	3	3						
29	1	183279-08210	DAMPER	4	4						

Fig.26. GASKET SET & TOOL

(A)=L100V5-GEYYDG2  
 (B)=L100V5-GYYDG2  
 (C)=

(D)=  
 (E)=  
 (F)=



No.	Lev.	Parts No.	Description	Q'ty						I	R
				(A)	(B)	(C)	(D)	(E)	(F)		
1	1	114299-92590	TOOL ASSY	1	1						
2	2	114299-92600	BAG, TOOL	1	1						
3	2	114299-92710	WRENCH	1	1						
4	2	114299-92720	WRENCH	1	1						
6	1	114320-92600	GASKET SET	1	1						1
7	2	114695-01331	GASKET, HEAD	1	1						
13	2	114699-01380	O-RING, TAPPET	1	1						
14	2	114699-01410	GASKET, CASE COVER	1	1						
15	2	114250-01841	GASKET, COVER	1	1						
16	2	114299-01950	O-RING, 18	2	2						
17	2	114310-11310	GASKET, BONNET	1	1						
18	2	114650-11341	SEAL, VALVE STEM	2	2						
19	2	114771-11461	GASKET, NOZZLE	1	1						
20	2	114310-12210	GASKET, AIR CLEANER	1	1						
21	2	114699-12210	GASKET, AIR CLEANER	2	2						
22	2	114310-13200	GASKET, MUFFLER	1	1						
23	2	183671-13211	GASKET, MUFFLER PIPE	1	1						
24	2	114399-21980	GASKET	1	1						
25	2	114299-32570	O-RING, PUMP COVER	1	1						
26	2	160393-55050	GASKET	4	4						
27	2	129100-77510	GASKET, AIR HEATER	3	3						
28	2	22190-160002	WASHER, SEAL 16	2	2						
29	2	23414-080000	GASKET, 8X1.0	1	1						
30	2	23414-120000	GASKET, 12X1.0	1	1						
31	2	24311-000400	O-RING, 1AP40.0	1	1						
32	2	24341-000150	O-RING, 1AS15.0	2	2						
33	2	24341-000224	O-RING, 1AS22.4	1	1						

Remarks

(1)Optional parts.

## Parts No. Index

Parts No.	Fig. No.	Ref. No.
104200-55080	25	4
104211-11370	6	27
114110-39291	16	1
114210-03450	4	2
114210-03580	6	39
114210-11901	6	31
114210-12500	7	8
114210-12560	7	12
114210-12590	7	13
114210-12600	7	16
114210-12610	7	11
114210-14300	9	7
114210-61290	15	32
114210-66300	20	3
114210-66330	20	5
114210-66350	20	7
114210-66511	20	2
114210-78800	24	7
114212-66600	20	19
114220-07151	5	8
	20	1
114220-59330	25	23
114240-11450	6	28
114240-11550	6	29
114249-59410	25	21
114250-01841	1	27
	26	15
114250-11240	6	18
		22
114250-53080	19	32
114250-53120	19	38
114250-53130	19	39
114250-53140	19	40
114250-53210	19	41
114295-61810	20	14
114295-61940	20	16
114295-66690	20	24
114299-01600	1	12
114299-01690	2	1
	3	1
114299-01800	1	13
114299-01830	1	26
114299-01950	2	4
	3	4
	26	16
114299-02030	1	45
114299-03640	6	42
114299-07111	5	2
114299-07160	5	3
114299-12300	4	5

Parts No.	Fig. No.	Ref. No.
114299-12300	7	2
114299-32070	15	7
114299-32570	15	8
	26	25
114299-35110	15	12
114299-35150	1	40
114299-45220	17	1
	25	1
114299-45301	18	3
114299-45310	18	4
114299-45350	18	6
114299-61190	15	17
114299-61600	15	29
114299-66201	20	18
114299-92590	26	1
114299-92600	26	2
114299-92710	26	3
114299-92720	26	4
114310-01010	1	1
114310-01200	6	1
114310-01210	6	2
114310-11050	6	3
114310-11120	6	10
114310-11180	6	11
114310-11290	6	25
114310-11310	6	36
	26	17
114310-11930	6	12
114310-11960	6	37
114310-12010	7	4
114310-12210	7	1
	26	20
114310-12511	7	3
114310-13200	8	1
	26	22
114310-14200	9	6
114310-14580	9	1
114310-22500	13	10
114310-23200	13	28
114310-45150	18	1
114310-45260	17	2
114310-59820	19	70
114310-61910	20	26
114311-01450	1	35
114311-61500	15	18
11431C-11100	6	8
11431C-11110	6	9
11431C-11250	6	14
11431C-11260	6	15
11431C-11650	6	16

Parts No.	Fig. No.	Ref. No.
11431C-11660	6	20
11431C-21840	10	1
114320-03510	4	3
114320-14400	9	12
114320-66020	20	17
114320-92600	26	6
11432C-23700	13	24
114339-13500	8	2
114339-13560	8	4
114339-13700	8	5
114339-53100	19	33
114349-53000	19	29
114353-59061	25	25
114362-77011	22	1
114371-77160	22	7
114371-77170	22	13
114371-77180	22	14
114371-79040	22	8
114371-79050	22	9
114371-79060	22	10
114371-79070	22	17
114381-77110	22	2
114381-77130	22	5
114381-77140	22	6
114381-77151	22	12
114399-01700	3	10
114399-21980	26	24
114399-45320	17	3
114399-45340	17	4
	25	2
114399-76540	21	7
114399-76620	21	10
114399-78270	24	1
114399-78750	24	2
114399-78760	24	3
114453-59012	25	18
114453-59052	25	20
114650-02150	1	46
114650-11341	6	26
	26	18
114650-32010	15	1
114695-01331	1	5
	26	7
114699-01380	1	11
	26	13
114699-01410	1	34
	26	14
114699-01760	2	2
	3	2
114699-11600	6	30

Parts No.	Fig. No.	Ref. No.
114699-12210	26	21
114699-21220	11	1
	12	1
114699-21420	12	3
114699-21550	11	2
	12	2
114699-21600	11	3
114699-21630	11	6
114699-22300	13	9
114699-45331	18	5
114699-59850	19	76
114699-76251	21	2
114699-76510	21	3
114699-76521	21	4
114699-76531	21	6
114699-76551	21	8
114699-76560	21	9
114699-76592	21	16
114699-76630	21	11
114699-76650	21	12
114699-76660	21	13
114699-76670	21	14
114699-76680	21	15
114770-61520	15	28
114770-61610	15	30
114771-11461	26	19
114771-61830	20	15
114940-01870	2	5
	3	5
114940-02110	1	38
114940-02200	1	42
114940-02210	1	43
114940-23600	13	29
114940-23610	13	31
114940-23620	13	33
114940-23910	13	35
119803-53400	19	42
124000-03300	25	19
124066-59100	25	26
124195-77770	22	16
124298-77020	22	15
124722-59050	25	24
129100-77510	26	27
160393-55050	25	13
	26	26
160670-66350	4	6
160710-55061	25	6
160710-55100	25	14
160710-78710	24	4
160970-77350	23	1

## Parts No. Index

Parts No.	Fig. No.	Ref. No.
171022-39470	16	4
183250-03410	4	1
183250-03550	4	4
183250-39450	16	2
183250-66321	20	4
183250-66341	20	6
183250-66361	20	8
183250-66371	20	9
183254-55120	25	15
183279-08210	25	29
183279-08350	2	6
	3	6
183350-77400	23	4
183366-39460	16	3
183621-55150	25	17
183671-13211	26	23
22117-100000	16	5
22190-120002	25	5
22190-160002	2	7
		8
	3	7
		8
	26	28
22242-000150	6	24
22312-030160	6	45
	15	9
22312-040080	1	28
22322-030200	15	27
22351-025005	19	37
22351-040008	6	32
22512-050140	11	7
	12	5
23080-014000	25	22
23414-080000	26	29
23414-120000	26	30
23875-020000	1	29
24101-063040	14	6
24162-152220	1	47
24311-000180	20	27
24311-000400	26	31
24341-000150	26	32
24341-000224	15	14
	26	33
24341-000450	25	16
24423-355008	1	48
		49
26106-060082	8	3
	21	17
26106-060122	15	10
	21	18

Parts No.	Fig. No.	Ref. No.
26106-060122	23	2
	24	5
26106-060142	4	7
		8
	20	11
26106-060162	15	15
	20	10
26106-060202	17	5
	20	12
	24	6
26106-060402	7	18
26106-060652	6	49
26106-080122	1	50
26106-080202	8	6
26106-080352	1	41
26106-100122	3	11
26106-100302	22	19
26216-080182	8	8
26226-060182	1	30
26226-060222	1	31
26226-060352	7	19
26226-060552	6	33
26306-080002	8	9
26366-060002	1	32
	6	34
	25	27
26557-040082	16	6
26557-060142	4	9
26716-080002	22	20
26856-060002	6	19
		23
714210-61701	15	31
714310-22500	13	3
714310-22540	13	13
714310-22550	13	19
714310-22580	13	17
714310-22620	13	11
714310-22720	13	1
714310-28510	14	1
714349-51430	19	1
714349-53100	19	28
X2114274200	22	18
X2114715500	22	4
X2114811000	22	3
X211485016	22	11

Parts No.	Fig. No.	Ref. No.
-----------	----------	----------

Parts No.	Fig. No.	Ref. No.
-----------	----------	----------